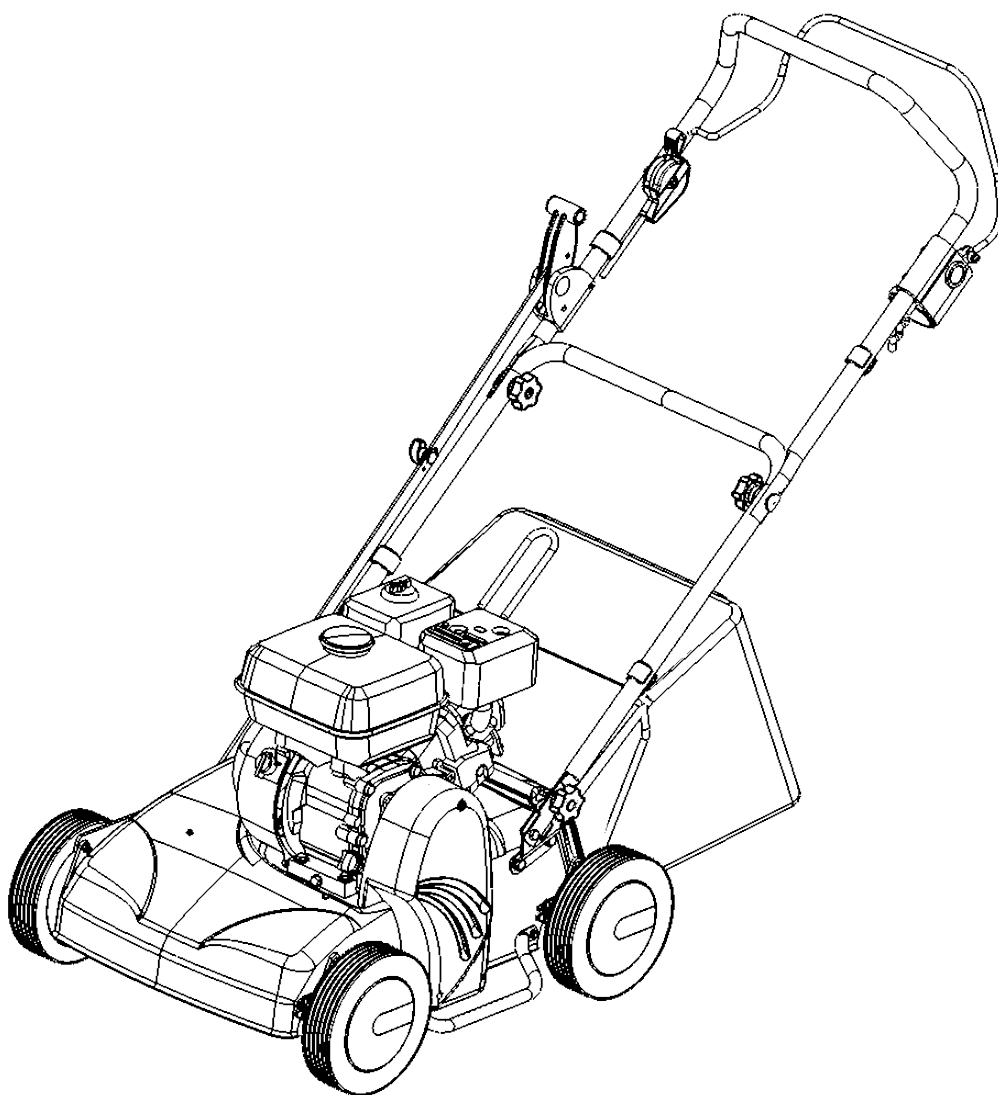
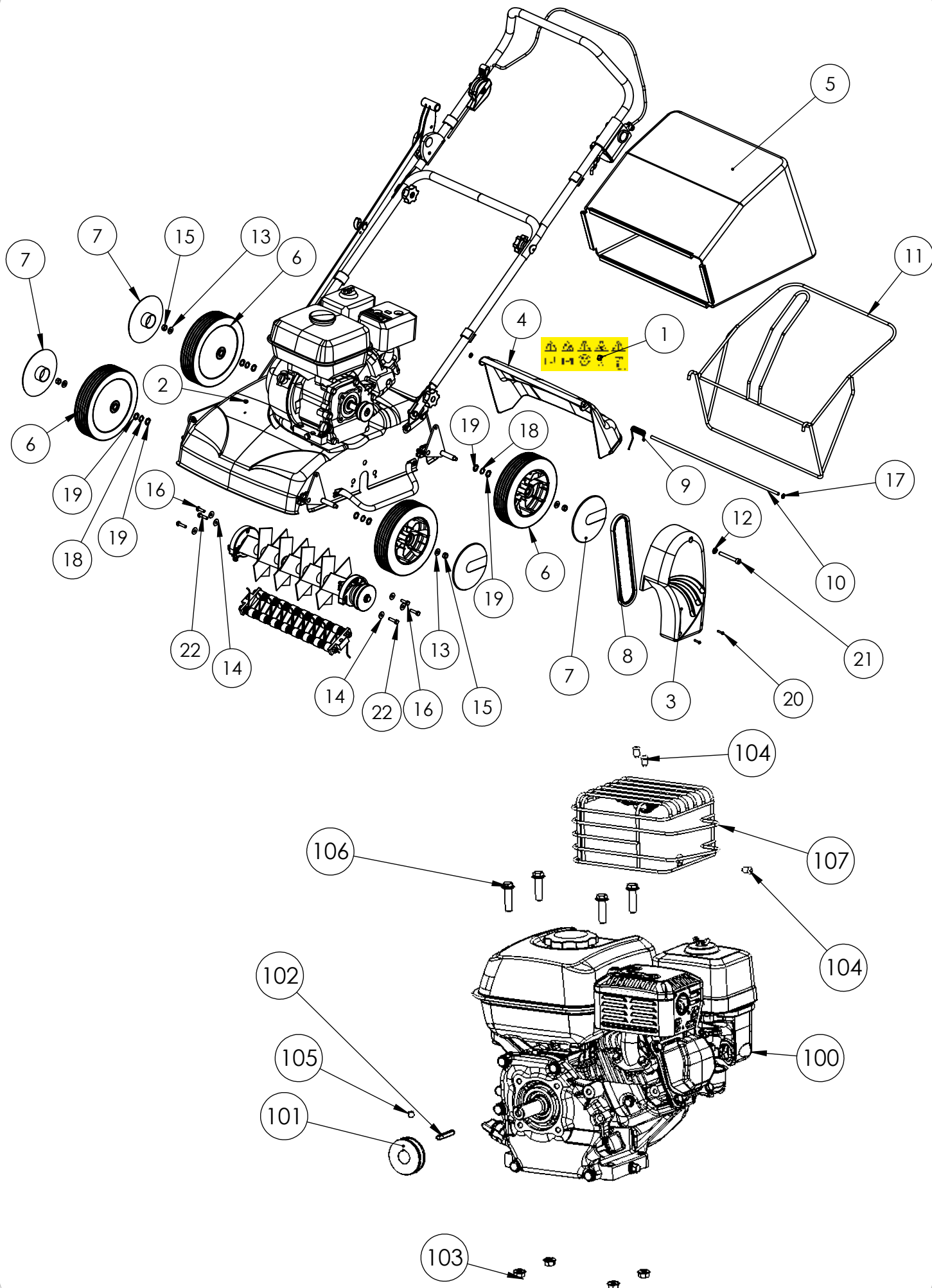


Pièces de rechange Spare parts list

K10008****

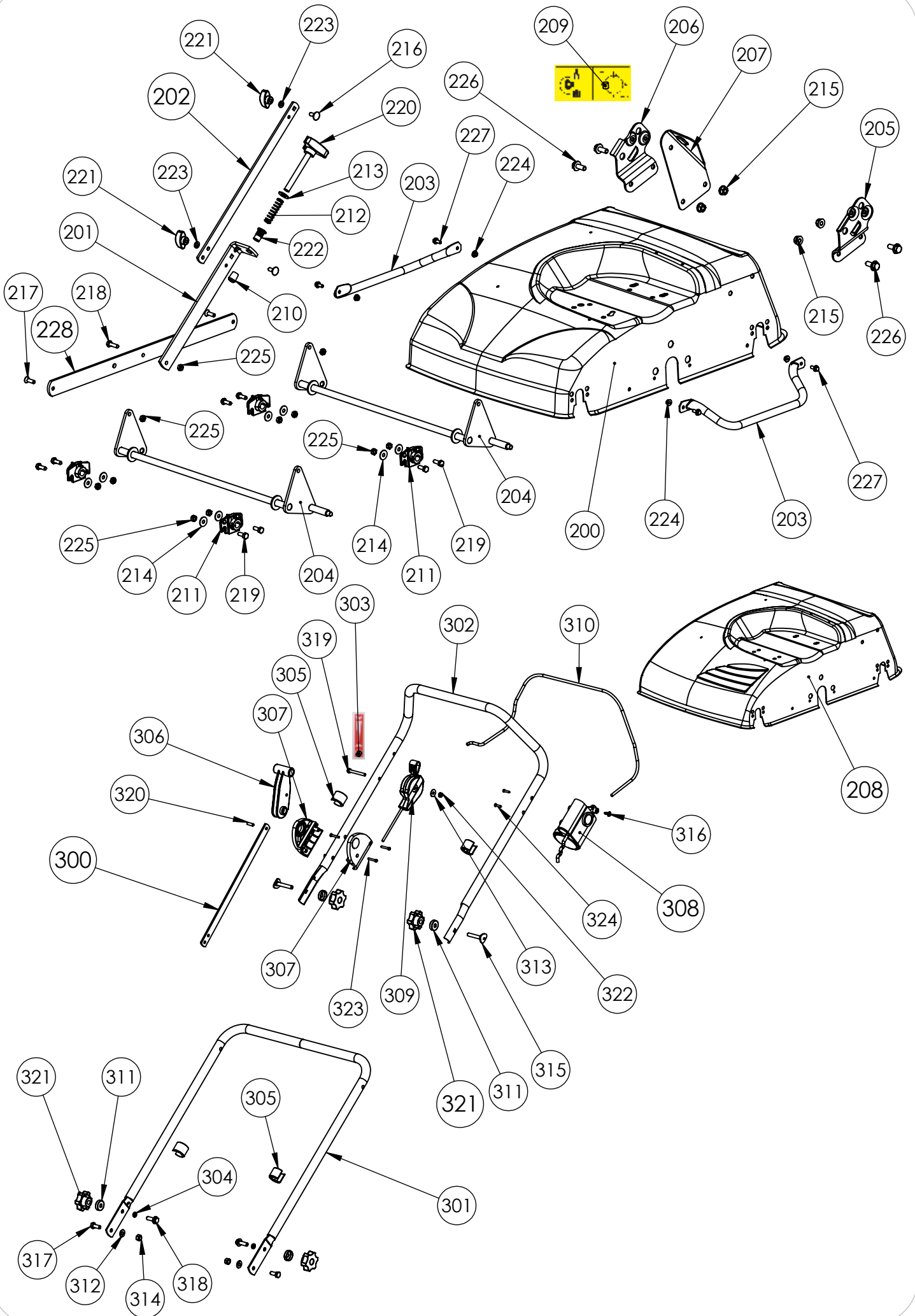


*SCARIFICATEUR
SCARIFIER*



Rep N°	Ref	Désignation	Description	B&S 550 /Qté
1	K503000071	AUTOCOLLANT SECURITE	SAFETY STICKER	1
2	K341000030	CAPUCHON PLASTIQUE Ø8	CAP Ø8	3
3	K340000086	CAPOT COURROIE	BELT COVER	1
4	K340000084	VOLET SCARIF 38	FLAP SCARIF 38	1
5	K320070006	PANIER	GRASS BAG	1
6	K309000045	ROUE Ø 200	WHEEL Ø 200	4
7	K309000017	ENJOLIVEUR NOIR Ø133	BLACK TRIM Ø133	4
7	K309000034	ENJOLIVEUR ROUGE Ø133	RED TRIM Ø133	4
7	K309000016	ENJOLIVEUR BLANC Ø133	WHITE TRIM Ø133	4
8	K306030047	COURROIE XPZ0637	BELT XPZ0637	1
9	K305010024	RESSORT VOLET	SPRING FOR BACK SHUTTER	1
10	K305000056	AXE VOLET	AXLE FOR BACK SHUTTER	1
11	K305000055	ARMATURE PANIER	FRAME	1
12	K300440801	RONDELLE AZ 8	WASHER AZ 8	1
13	K300400802	RONDELLE PLATE 18 x 8 x 1.5	WASHER 18 X 8 X 1.5	4
14	K300400601	RONDELLE PLATE 18 x 6.25 x 1.2 ZN	WASHER 18 X 6.25 X 1.2 ZN	6
15	K300200801	ECROU HU M8	NUT HU M8	4
16	K300010613	VIS TH 6 x 20 ZN	SCREW TH 6 x 20	2
17	0300460701	RONDELLE GRIFFE Ø7	CLAW WASHER Ø7	2
18	0300421202	RONDELLE ELASTIQUE ONDULEE	WASHER WAVY	4
19	0300411302	RONDELLE SERRAGE 12X18X1	SHIM 12X18X1	8
20	0300070301	VIS TOLE 3.9 x 19	SCREW 3.9 x 19	2
21	0300060514	VIS UNF CHC 5/16 LONG.2"1/2	SCREW UNF CHC 5/16 x 2"1/2	1
22	K300010614	VIS TH 6 x 25 ZN	SCREW TH 6 X 25	4

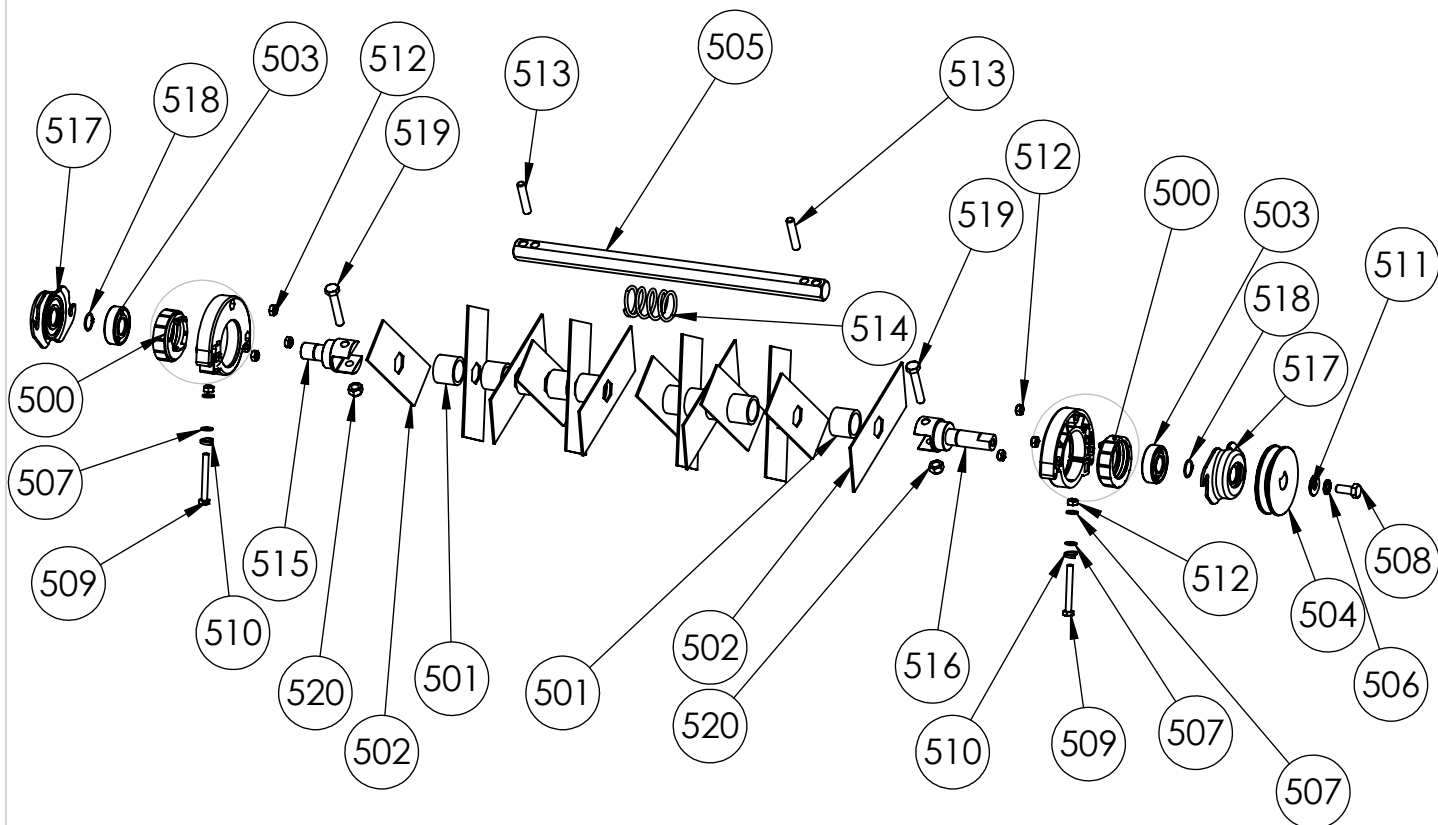
Rep N°	Ref	Désignation	Description	B&S 550 /Qté	R180 /Qté	GP 160 /Qté	R210/ Qté
100	K330020110	BS 550 SERIES *	BS 550 SERIES *	1	-	-	-
100	0330091004	RATO R180-3BH OIL BATH	RATO R180-3BH OIL BATH	-	1	-	-
100	0330011041	HONDA GP 160 H QMPB 5S		-	-	1	-
100	0330091003	RATO R210BH		-	-	-	1
101	K302030118	POULIE MOTEUR	ENGINE PULLEY	1	1	1	1
102	K301040002	CLAVETTE B.DROIT 4.76 x 4.76 x 37	KEY 4.76 X 4.76 X 37	1	1	1	1
103	K300260801	ECROU H M8 EMB CR	NUT H M8 NOTCHED SHOULDER	4	4	4	4
104	K300070601	VIS TOLE TCL POZ 6.3 x 13 ZN	SCREW TCL POZ 6.3 X 13 ZN	-	-	3	-
105	K300040601	VIS STHC 6 X 8 BOUT CUVETTE	SCREW STHC 6 X 8	1	1	1	1
106	K300010831	VIS HM 8x35 EMB CR	SCREW HM 8x35 notched shoulder	4	4	4	4
107	0330012009	GRILLE ECHAP GP160	EXHAUST GRILL GP160	-	-	1	-



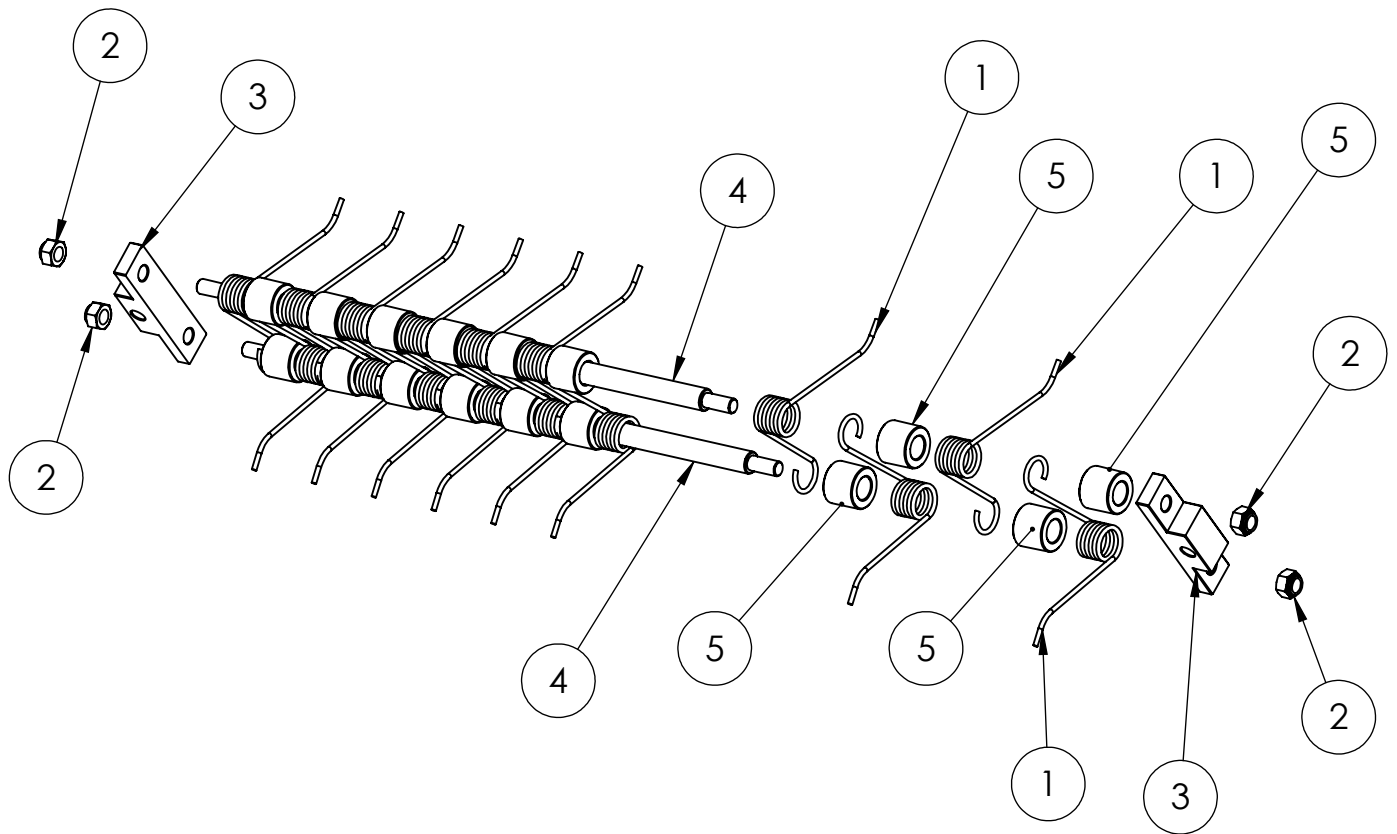
	Ref	Désignation	Description	Qté	
200	KI02062101	CARTER DB VERT RAL6029	GREEN DECK RAL6029	1	
200	KI02063601	CARTER DB BLEU PANT301	BLUE DECK PANT301	1	
200	KI02062601	CARTER DB ORANGE RAL2004	ORANGE DECK RAL2004	1	
200	KI02060901	CARTER DB JAUNE RAL1021	YELLOW DECK RAL 1021	1	
200	KI02060602	CARTER DB ROUGE RAL 3002	RED DECK RAL3002	1	
200	KI02060701	CARTER DB ROUGE RAL 3000	RED DECK RAL 3000	1	
200	KI02064001	CARTER DB GRIS ALU RAL 9006	GREY ALU DECK RAL 9006	1	
201	KI02061613	BARRE DE RELEVAGE INF NOIRE	BLACK LOWER LIFTING BAR	1	
202	KI02061612	BARRE DE RELEVAG.INTER. NOIRE	BLACK MIDDLE LIFTING BAR	1	
203	KI02061610	TUBE PROTECTION LATERAL NOIR	BLACK SIDE PROTECTION	2	*
204	KI02061607	ESSIEU NOIR	BLACK AXLE	2	
205	KI02061603	SUPPORT DE GUIDON GAUCHE NOIR	BLACK LEFT HANDLEBAR SUPPORT	1	
206	KI02061602	SUPPORT DE GUIDON DROIT NOIR	BLACK RIGHT HANDLEBAR SUPPORT	1	
207	KI02061601	BUTEE REGLAGE HAUTEUR NOIR	BLACK STOP HEIGHT ADJUSTMENT	1	
208	KI02060601	CARTER ROUGE ST RAL 3002	RED DECK ST RAL 3002	1	
209	K503000069	AUTOCOLLANT REGLAGE HAUTEUR	HEIGHT SETTING STICKER	1	
210	K341000006	EMBOUIT ROND ENVELOPPANT	PLASTIC CAP	1	
211	K340000081	PALIER ESSIEU	BEARING AXLE	4	
212	K305020012	RESSORT MOLETTE REGLAG.HAUTEUR	HEIGHT ADJUST SPRING	1	
213	K300401004	RONDELLE PLATE 10 x 20 x 2 ZN	PLATE WASHER 10 x 20 x 2	1	
214	K300400601	RONDELLE PLATE 18 x 6.25 x 1.2 ZN	WASHER 18 X 6.25 X 1.2 ZN	8	
215	K300260801	ECROU H M8 EMB CR	NUT H M8 NOTCHED SHOULDER	4	
216	K300080601	VIS TRCC 6 x 16	SCREW TRCC 6 x 16	2	
217	K300030604	VIS TF HC M6 x 20 10.9	SCREW TF HC M6 x 20 10.9	2	
218	K300010613	VIS TH 6 x 20 ZN	SCREW TH 6 x 20	1	
219	K300010605	VIS H M6 x 16 ZN	SCREW HM 6 x 16	8	
220	0300801002	MOLETTE REGLAGE HAUT. M10 x 82	HEIGHT LEVEL ADJUSTEMENT M10	1	
221	0300800601	MOLETTE DE SERRAGE M6	KNOB M6	2	
222	0300601002	ECROU A SERTIR M10	INSERT M10	1	
223	0300440601	RONDELLE EVENTAIL 6 Z	TOOTH LOCKWASHER 6Z	2	
224	0300260501	ECROU HM 5 ZEMB CR DIN 6923-8	NUT H M5 Z NOTCHED SHOULDER	4	
225	0300210602	ECROU FREIN M 6 Z DIN 985-8	BLOCKING NUT M 6 Z	11	
226	0300010816	VIS H 8x20 Z EMB CR	SCREW H M8X20 Z	4	
227	0300010505	VIS H 5 x 12 EMB CR	SCREW H NOTCHED SHOULDER 5x12	4	
228	KI02061606	BARRE DE RELEVAGE ESSIEU NOIRE	BLACK LIFTING AXLE BAR	1	

	Ref	Désignation	Description	B&S 550 /Qté	R 180 /Qté	GP 160 /Qté	R210/ Qté	
300	KI02061611	BARRE RELEVAGE SUPERIEUR NOIR	BLACK SUPERIOR LIFTING BAR	1	1	1	1	
301	KI02061609	GUIDON INFERIEUR NOIR	BLACK LOWER HANDLE	1	1	1	1	
302	KI02061608	GUIDON SUPERIEUR NOIR	BLACK UPPER HANDLE	1	1	1	1	
303	K503000037-	ETIQU. GAZ (SS STOP SS START)	STICKER THROTTLE	-	1	1	1	
303	K503000031-	AUTOCOLLANT ACCELERATEUR STOP SANS STARTER	STICKER "ENGINE SPEED VARIATION" WITHOUT STARTER	1	-	-	-	
304	K341000033	ENTRETOISE LISSE PA 6 +25% FV	SPACER,PLASTIC 8.2 x 12 x 3	2	2	2	2	
305	K340000092	ACCROCHE FIL Ø22	CLAMP CABLE Ø22	4	4	4	4	
306	K340000083	POIGNEE RELEVAGE HAUTEUR	HANDLE LIFT HEIGHT	1	1	1	1	
307	K340000082	SUPPORT POIGNEE RELEVAGE	LEVEL SUPPORT	2	2	2	2	
308	K308060027	HOMME MORT + CABLE	DEADMAN LEVER	1	-	-	-	
308	K308060026	HOMME MORT + CABLE	DEADMAN LEVER	-	1	1	1	
309	K308040029	CABLE GAZ + MANETTE	THROTTLE + HANDLE	1	1	1	1	*
310	K305000057	FIL HOMME MORT ROUGE	RED WIRE	1	1	1	1	
311	K300410802	RONDELLE MOLETTE GUIDON	RING WHEEL HANDLEBAR	4	4	4	4	
312	K300400802	RONDELLE PLATE 18 x 8 x 1.5	WASHER 18 X 8 X 1.5	2	2	2	2	
313	K300400601	RONDELLE PLATE 18 x 6.25 x 1.2 ZN	WASHER 18 X 6.25 X 1.2 ZN	1	1	1	1	
314	K300210801	ECROU FREIN H M8	NUT,NYLOC M8	2	2	2	2	
315	K300090803	VIS TP PLI22 M8 X 50/27 ZN	SCREW TP PLI22 M8 X 50/27 ZN	2	2	2	2	
316	K300080401	VIS TOLE TCB EMB CR 4.2 X 16	SCREW POZI 4.2X16Z	1	1	1	1	
317	K300010815	VIS H M8 x 20 ZN	SCREW HM 8 x 20	2	2	2	2	
318	K300010801	VIS H EMB CR 8 x 25	SCREW H NOTCHED SHOULDER 8 X 25	2	2	2	2	
319	K300010608	VIS TH 6 x 50 ZN ISO 4017	SCREW TH 6 x 50	1	1	1	1	
320	0301090008	GOUPILLE ELASTIQUE 6 x 18	COTTER PIN 6 x 18	1	1	1	1	
321	0300800803	MOLETTE AVEC ECROU M8	HANDLE WITH NUT M8	4	4	4	4	
322	0300210602	ECROU FREIN M 6 Z DIN 985-8	BLOCKING NUT M 6 Z	1	1	1	1	
323	0300090407	VIS TBC PLASTIQUE 4 x 25	SCREW TBC PLASTIC 4 x 25	4	4	4	4	
324	0300070301	VIS TOLE 3.9 x 19	SCREW 3.9 x 19	2	2	2	2	

* Suivant modèle- Depending on the version



Rep N°	Ref	Désignation	Description	Qté
500	KZ01080001	SUPPORT + EXCENTRIQUE ROTOR	BUSHING + BEARING HOUSING	2
501	K340000077	ENTRETOISE ROTOR	SPACER ROTOR	11
502	K320020029	COUTEAUX	KNIVES	13
503	K306010019	ROULEMENT 6203 2 RS	BEARING 6203 2 RS	2
504	K302030117	POULIE ROTOR	ROTOR PULLEY	1
505	K302010115	ARBRE 6 PANS ROTOR	ROTOR AXLE	1
506	K300440801	RONDELLE AZ 8	WASHER AZ 8	1
507	K300400603	RONDELLE PLATE 6 x 12 x 1.2 ZN	WASHER 6 x 12 x 1.2 ZN	4
508	K300010815	VIS H M8 x 20 ZN	SCREW HM 8 x 20	1
509	K300010608	VIS TH 6 x 50 ZN ISO 4017	SCREW TH 6 x 50	2
510	0300450601	Rondelle Grower M6	Washer Grower M6	2
511	0300400803	RONDELLE LARGE M8 8x22x1.5 Z	FENDER WASHER 8x22x1.5 ZN	1
512	0300210602	ECROU FREIN M 6 Z DIN 985-8	BLOCKING NUT M 6 Z	8
513	K301020005	GOUPILLE ROULEE 8 X 40	COTTER PIN 8x40 HBK	2
514	K305020006	RESSORT ROTOR	ROTOR SPRING	1
515	K302010112	AXE DE LIAISON DROIT	RIGHT AXLE LINK	1
516	K302010113	AXE DE LIAISON COTE MOTEUR	LINK AXLE ON THE SIDE ENGINE	1
517	KI01060011	PALIER AVEC RLT. DE 17 ASS	BEARING	2
518	K301070012	CIRCLIP EXTERIEUR 17 DIN471-17	EXTERNAL RETAITING RING 17	2
519	K300010823	VIS TH 8 x 45 10.9 ZN	SCREW TH 8 X 45 10.9 ZN	2
520	K300210801	ECROU FREIN H M8	NUT,NYLOC M8	2



Rep N°	Ref	Désignation	Description	Qté
1	0002020084	RESSORT EMOUS MICRO COTE DROIT	Right spring dethatcher	16
2	K300210801	ECROU FREIN H M8	NUT,NYLOC M8	4
3	K302000085	CARRE ENTRAINEMENT	JUNCTION SQUARE	2
4	K302010114	AXE FILETE ROTOR EMOUSSEUR	AXLE	2
5	K340000102	ENTRETOISE PLAST. 12.2 x23x19	ROUND SPACER 12.2 x 23 x 19	16