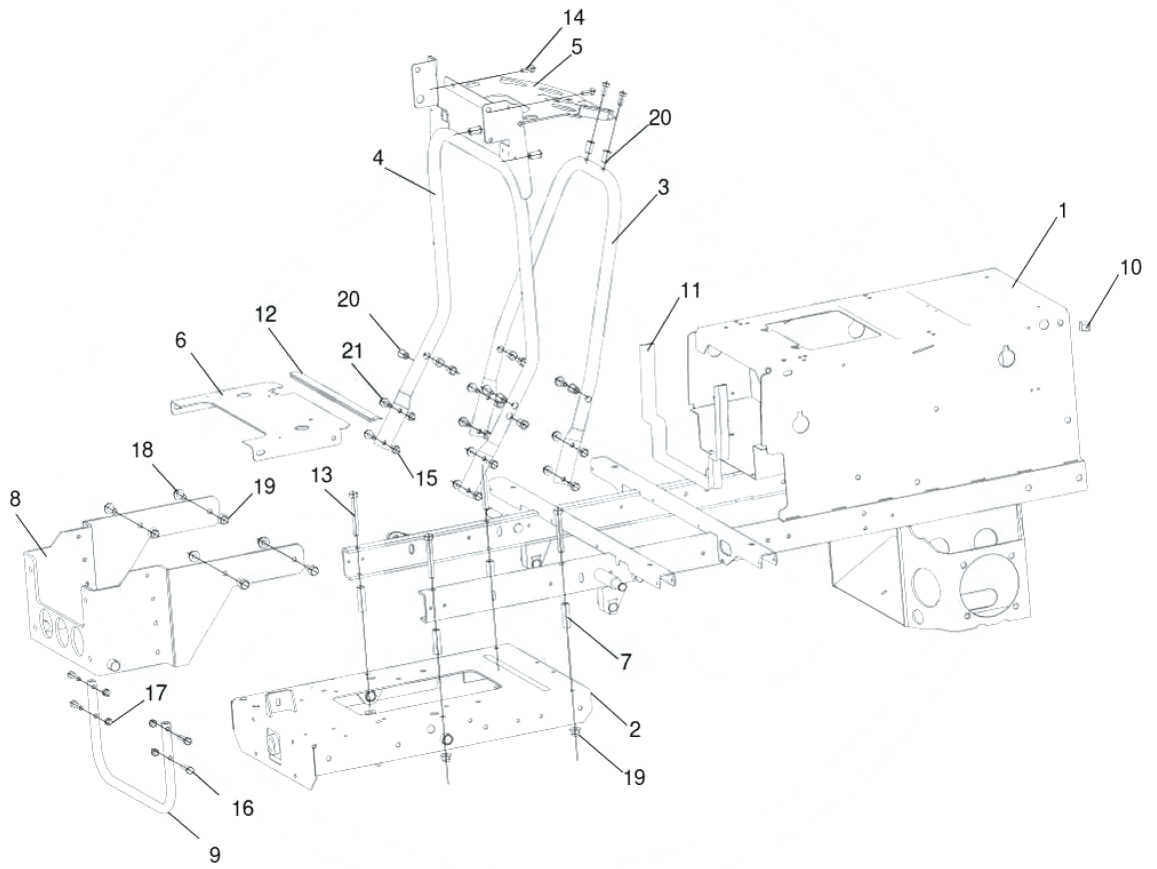


CAIMAN

Газонокосильная машина **ESTERO 2WD HD**



Frame MP

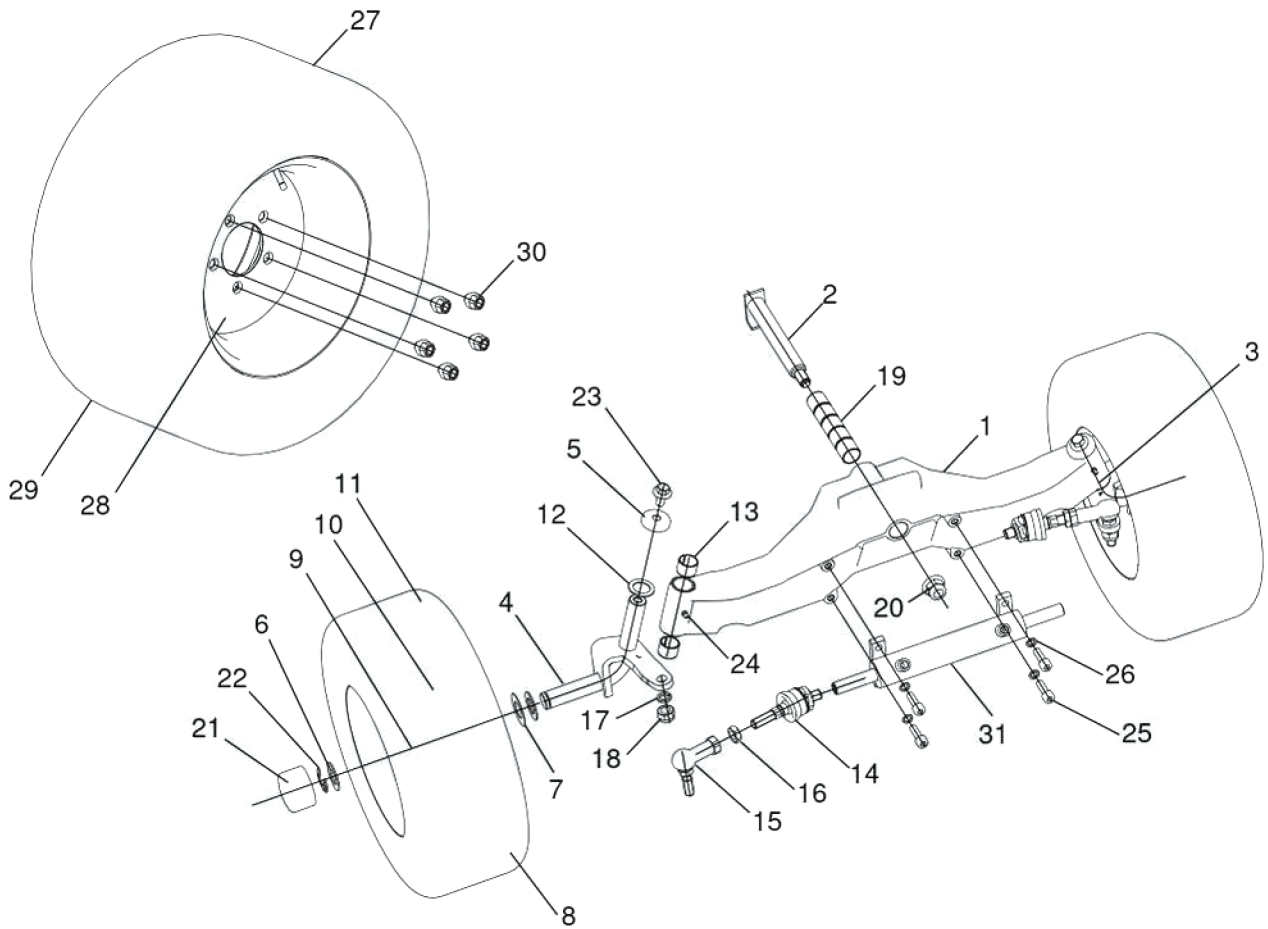


CAIMAN

N°	Description	Part Number	Qty (UOM)
1	Frame rear	S532912472143	1 KS
2	Frame front	S532912472183	1 KS
3	Column rear	S532074452223	1 KS
4	Column front	S532912472333	1 KS
5	Column upper	S532012412243	1 KS
6	Column bottom	S532012412253	1 KS
7	Bushing (L49 D15)	S532014202053	4 KS
8	Battery holder	S532985412023	1 KS
9	Tube, protective	S532015402173	1 KS
10	Backstop 20x20x8	N273192069	2 KS
11	Braid 27,3x8,7 A1 521	N273232027	1 M
12	Braid 27,3x8,7 A1 521	N273232027	0 M
13	Screw M 10x80	N309503558	4 KS
14	Screw M8x20	N309503518	4 KS
15	Nut M 8 DIN 6926 8 Zinc	N532150290	8 KS
16	Screw M 8x35	N309503543	4 KS
17	Nut M8	N311129501	4 KS
18	Screw M10x25KL100 Ripp. V. DACROM	N309578529	4 KS
19	Nut M 10 DIN 6926 Zinc	N311129523	8 KS
20	River nut M8 steel	N311693002	10 KS
21	Screw M 8x25 DIN 6921 8.8 Zinc	N309578011	12 KS

CAIMAN

Front axle and wheels



CAIMAN

N°	Description	Part Number	Qty (UOM)
1	Axle MP	S532016542053	1 KS
2	Pin complete	S532993122783	1 KS
3	Pin compl. right	S532993462033	1 KS
4	Pin compl. left	S532993462043	1 KS
5	Cover	S532039472153	2 KS
6	Washer, wheel	S532092202333	4 KS
7	Washer	S532092208083	4 KS
8	Wheel front 9-1670-201	N532940197	2 KS
9	Bearing 6205 2RS TFP C3 PEER	N324162102	4 KS
10	Wheel rim 8"x5,375 diam.52	N325111029	2 KS
11	Tyre, front 18x6,5" 6PLY	N274161038	2 KS
12	Axial washer	S532092202343	4 KS
13	Bushing 2520 KU	N323721001	4 KS
14	Joint M 14x2 axial 2ES	N442073032	2 KS
15	Angular joint BL 14 BD	N442073033	2 KS
16	Nut M 14	N311120542	2 KS
17	Spring washer 14	N311214518	2 KS
18	Nut M 14	N311129528	2 KS
19	Bearing bushing WSM-2528-25W300	N323721015	5 KS
20	Nut M 16 DIN 6926	N311129527	1 KS
21	Cap FCWA-0572-038	N532151773	2 KS
22	Lock ring 19	N311732010	2 KS
23	Screw M12X20 BN 2797 Ripp	N309578530	2 KS
24	Lubricating head MK 6x1	N425111004	2 KS
25	Screw M 10x30	N309543518	4 KS
26	Washer 10	N311214503	4 KS
27	Rear wheel 9-1670-202	N532940198	2 KS
28	Wheel rim 12"x8,5	N325111030	2 KS
29	Tyre rear 23x10,5x12 4PLY	N274161039	2 KS
30	Wheel nut 1/2-20 UNF 60	N311101003	10 KS
31	Hydraulic cylinder HV 32/18-120 4	N336315040	1 KS

CAIMAN

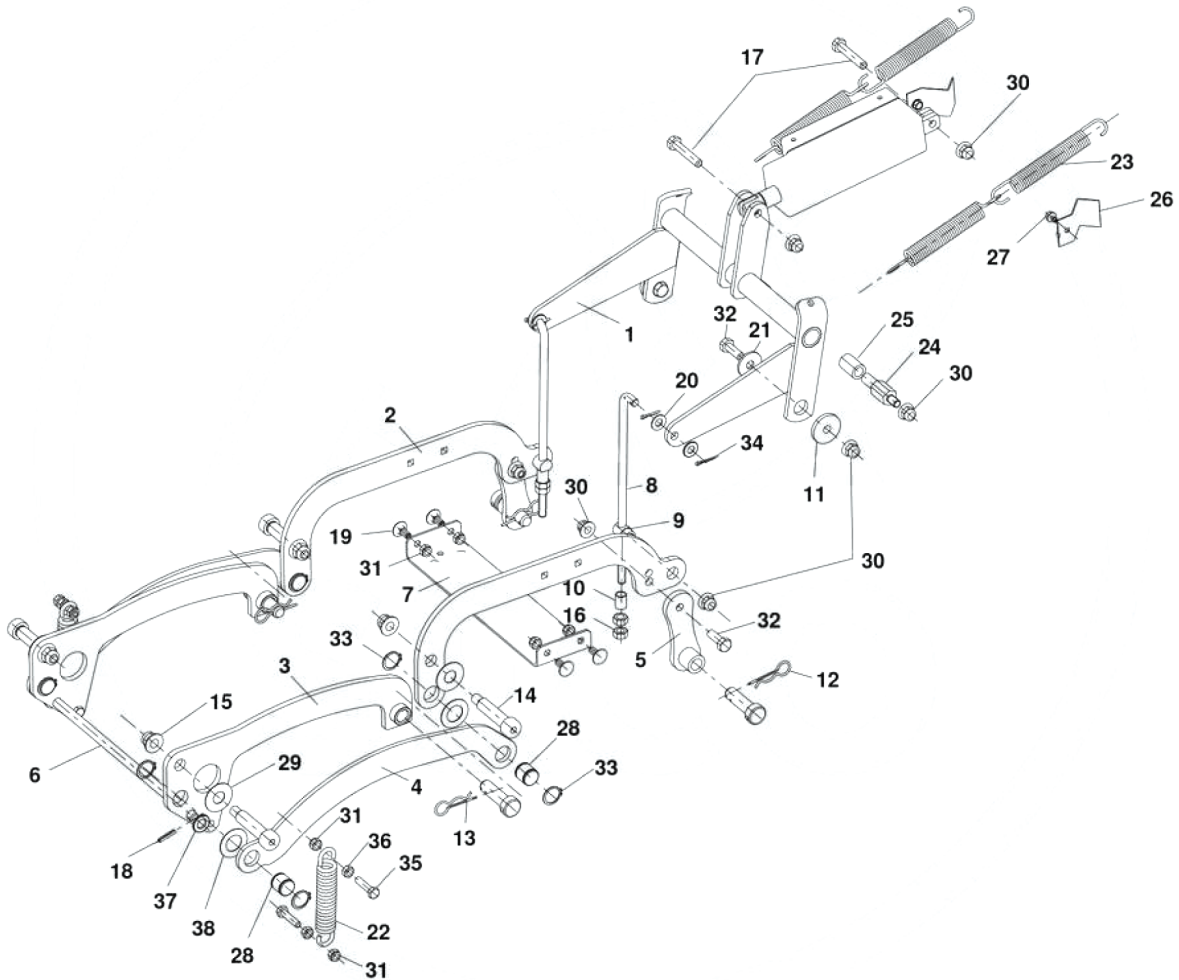
N°	Description	Part Number	Qty (UOM)
1	Engine KUBOTA D 902 E4B EU X7	N482121001	1 KS
2	Engine shaft	S532938112013	1 KS
3	Key 0-9231-213	N311726101	1 KS
4	Splined pulley	S532033252123	1 KS
5	Elmag. clutch Warner IXR12441	N339242010	1 KS
6	Washer NL 11 glued Dacromet	N311219516	1 KS
7	Screw 7/16"-20x2.5 DIN 931	N309578542	1 KS
8	Engine holder, upper	S532012402143	2 KS
9	Engine holder, bottom	S532012402153	2 KS
10	Silent-block A40/20 M8x23 NR85	N273192071	8 KS
11	Screw M 10x1.25x20 8.8A2L DIN961	N309503585	12 KS
12	WASHER 10	N311214006	12 KS
13	Nut M 10	N311129502	4 KS
14	Screw M 10x25	N309503502	4 KS
15	Clutch stopper Diesel	S532013402753	1 KS
16	Bowden-cable holder	S532012412303	1 KS
17	Bowden-cable strap	S532012412313	1 KS
18	Throttle holder	S532012412323	1 KS
19	Suction holder	S532012412333	1 KS
20	Expans.tank holder	S532012412343	1 KS
21	Backstop, expans.tank	S532014312243	1 KS
22	Tank coolant	S532927662093	1 KS
23	Fuel hose MP122	S532986022673	1 KS
24	Cap 8.7x25.4 1461828	N532151707	1 KS
25	Exhaust cover	S532085412163	1 KS
26	Nut M 8 DIN 6926 8 Zinc	N532150290	19 KS
27	screw M8x12	N309203521	2 KS
28	Screw M 8X30	N309503515	5 KS
29	Screw M 5x12 DIN 7500D BN3326	N309578544	1 KS
30	Screw M 8x65	N309503568	1 KS
31	Screw M6x16	N309503508	1 KS
32	Nut M 6	N311129513	1 KS
33	Screw M 8x16 DIN 7500 D BN3326	N309578520	4 KS
34	Spring 0-9746-214	N315231282	1 KS
35	Silentblock holder	S532013402573	1 KS
36	Silent-block 4 40/15 M8x23	N273192073	2 KS

CAIMAN

N°	Description	Part Number	Qty (UOM)
37	Washer 8	N311214502	15 KS
38	Screw M8X20	N309503518	10 KS
39	Nut M 8	N311129501	5 KS
40	Screw M 6x12 DIN 7500 BN 3326	N309578546	5 KS
41	Clip UM 5008	N000532058	3 KS
42	Protective diodes harness 9-8316-	N341271052	1 KS
43	Plate 1-8732-970 plastic	N548231024	1 KS
44	Cooler 1G96272001 (KIT 480)	N443511004	1 KS
45	Suction hose 1686311621	N272392020	1 KS
46	Exhaust pipes 1G47012311	N443900165	1 KS
47	Muffler 1E10312111	N443900536	1 KS
48	Exhaust gasket 15862-12311	N531900558	1 KS
49	Airlock 1G65710902 (465 B45)	N482916130	1 KS
50	Oil filter 1G95243003	N532151877	1 KS
51	Flywheel 1J019-25011	S000000071251	1 KS
52	Engine sump 1G962-01502	S000000071252	1 KS
53	Suction intakes 1G445-11772	S000000071254	1 KS
54	Air-filter insert K121182320	S000000071257	1 KS
55	Fuel filter 1T02143560	S000000071261	1 KS
56	Temperature sensor 16222-83043	S000000071262	1 KS
57	Fan belt 15881-97010	S000000071266	1 KS
58	Fan 1K123-74100	S000000071267	1 KS
59	Fuel filter HH15032430(W21ESO1500)	S000000071268	1 KS
60	Alternator 16678-64014	S000000071269	1 KS
61	Starter 19269-63010	S000000071270	1 KS
62	Damping solenoid 1685160014	S000000071271	1 KS
63	Silentblock type wreath Diam30x16	N273192078	1 KS
64	Screw M 8x25	N309543017	1 KS

CAIMAN

Mowing lifting MP



N°	Description	Part Number	Qty (UOM)
1	Lift console	S532913412183	1 KS
2	Lifting arm rear	S532013412553	2 KS
3	Lift arm front	S532980502063	2 KS
4	Lifting coupling	S532013412573	2 KS
5	Lifting spacer	S532980322023	2 KS
6	Arms partition	S532013202073	1 KS
7	Arms reinforcement	S532080502053	1 KS
8	Rod vertical 0-8041-347	N532151782	2 KS
9	Pin	S532090162083	2 KS
10	Spacer	S532095213823	2 KS
11	Washer	S532092212293	2 KS

CAIMAN

N°	Description	Part Number	Qty (UOM)
12	Cutting pin	S532093102063	4 KS
13	Flexible spindle 0-9245-999	N315238003	4 KS
14	Screw 16/M12-60 BN 1359	N309578539	4 KS
15	Nut M 12 DIN 6926	N311129526	4 KS
16	Nut M 10	N311150506	4 KS
17	Screw M 10X55	N309203525	2 KS
18	Spring pin 5X25	N315238036	2 KS
19	Screw M 8X20 Zinc	N309019501	4 KS
20	Washer 10.5	N311210504	4 KS
21	Washer 11	N311212507	2 KS
22	Spring 0-9746-213 relieving	N315231283	2 KS
23	Spring 0-9746-460	N315231193	4 KS
24	Discharge-tunnel pin	S532093122023	2 KS
25	Bushing MP122	S532986022693	2 KS
26	Tunnel centering	S532097402053	2 KS
27	Screw M 6x10 DIN 7500 D	N309578545	2 KS
28	Coupling pin	S532029202183	4 KS
29	Washer	S532092207703	4 KS
30	Nut M 10 DIN 6926 Zinc	N311129523	10 KS
31	Nut M 8	N311129501	8 KS
32	Screw M 10X30	N309503510	4 KS
33	Safety ring 22	N311733012	8 KS
34	Spindle 3.2x20	N311338516	4 KS
35	Screw M 8X35	N309503543	4 KS
36	Nut M 8	N311150503	4 KS
37	Washer 13	N311210505	2 KS
38	Washer 40x23x1	S532092202403	4 KS

CAIMAN

N°	Description	Part Number	Qty (UOM)
1	Blades cover MP122	S532950472533	1 KS
2	Spacer housing	S532912412013	1 KS
3	Spacer shaft	S532038122263	1 KS
4	Pulley secondary	S532033252083	1 KS
5	Spacer	S532029202093	1 KS
6	Bearing 6205 2RS TFP C3 PEER	N324162102	2 KS
7	Spring 8E7x7x25	N311726022	2 KS
8	Washer	S532092207273	1 KS
9	Nut M 12	N311129505	1 KS
10	Screw M8x25 Zinc	N309019508	4 KS
11	Nut M 8 DIN 6926 8 Zinc	N532150290	4 KS
12	Nut M 8	N311129501	1 KS
13	Hawsepipe	S532014202063	1 KS
14	Tensioner holder	S532913322043	1 KS
15	Pulley	S532033252093	1 KS
16	Tensioner foot	S532014412213	1 KS
17	Bearing 6203 2RS TFP C3 Peer	N324162103	1 KS
18	Bushing 1625 KU	N323721006	1 KS
19	Spring 0-9746-460	N315231193	1 KS
20	Screw 0-9016-454	N309599025	1 KS
21	Lock ring 40	N311733079	1 KS
22	Ring 16	N311733006	1 KS
23	SCREW M 6X16 DIN 7500D BN 3326	N309578517	2 KS
24	Nut M 8	N311150503	2 KS
25	Washer 8.4	N311210503	1 KS
26	Countershaft body	S532098212053	1 KS
27	Countershaft	S532038122253	1 KS
28	Pulley secondary	S532033252083	1 KS
29	Washer	S532092207273	1 KS
30	Spacer	S532029202093	1 KS
31	Bearing 6205 2RS TFP C3 PEER	N324162102	2 KS
32	Spring 8E7x7x25	N311726022	2 KS
33	Safety Ring 52	N311733085	2 KS
34	Screw M 8X25	N309503512	2 KS
35	Nut M 8 DIN 6926 8 Zinc	N532150290	2 KS
36	Washer 8.4	N311210503	2 KS

CAIMAN

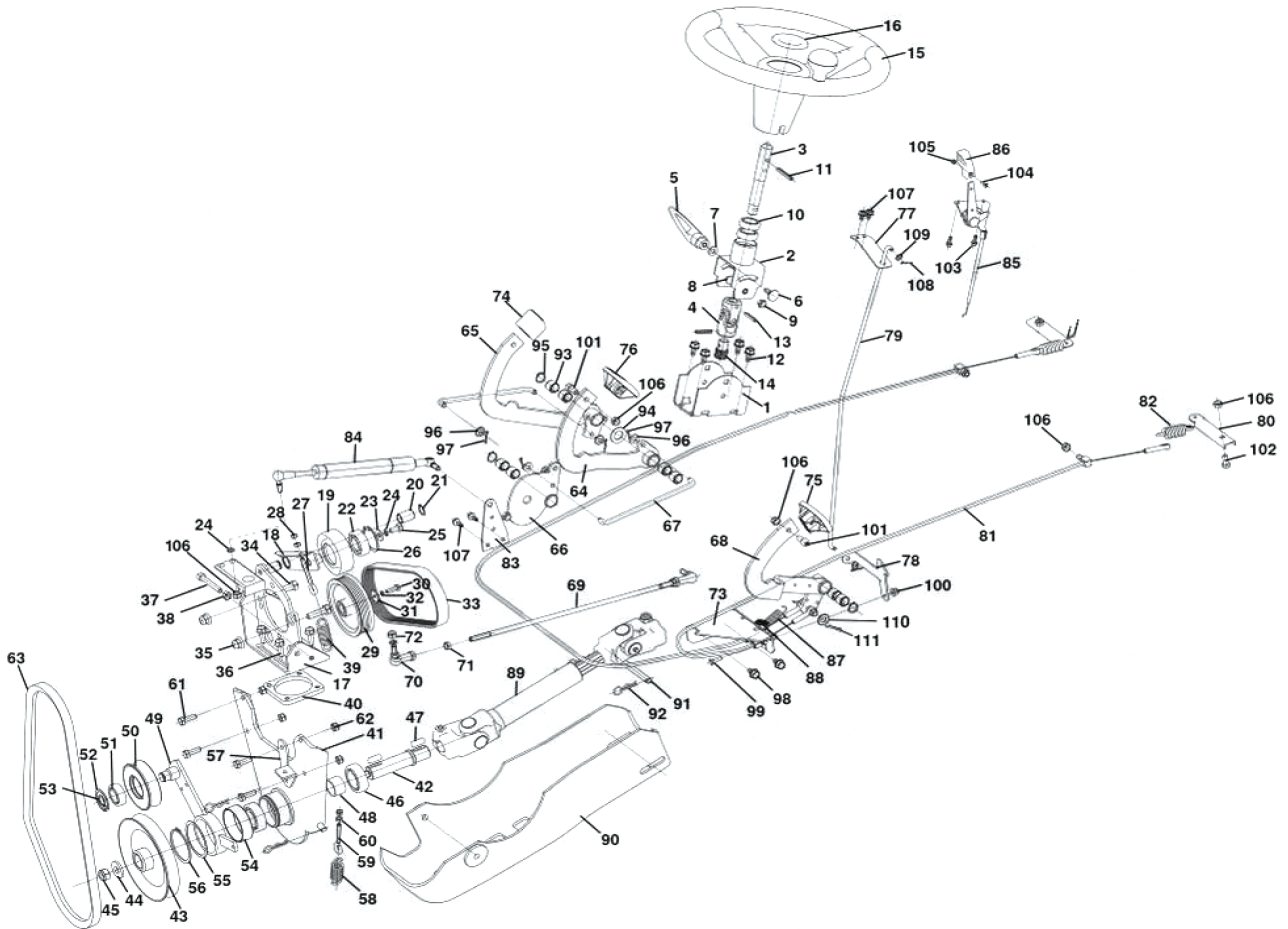
N°	Description	Part Number	Qty (UOM)
37	Schrew M 6x18 DIN 912 8.8	N309543527	6 KS
38	Washer 6	N311214501	6 KS
39	Nut M 12	N311129505	1 KS
40	Shaft 122	S532038112073	1 KS
41	Chain coupler	S532035212053	6 KS
42	Chain 06 B-2 16 segments+connect.	N318112034	3 KS
43	Screw M 5x6 EN 27436	N309282001	6 KS
44	Angular gearbox S110U 1.2:1 WA15	N532991070	1 KS
45	Angular gearbox S110U 1.2:1 WA3	N532991069	1 KS
46	Cap compl.102/122	S532939352043	2 KS
47	Flange cover	S532938522453	2 KS
48	Blade housing	S532098212073	2 KS
49	Shear pin MP	S532093112133	8 KS
50	Blade washer	S532092202353	2 KS
51	Disc spring 0-9220-239	N315231280	2 KS
52	Screw 0-9011-283 M10 Left	N309599008	1 KS
53	Screw 0-9011-287 M10	N309599017	1 KS
54	Blade left wide MP 122	S532050422923	1 KS
55	Blade right wide MP 122	S532050422933	1 KS
56	Shaft cover 122	S532012402133	1 KS
57	Cutting foot	S532014417363	2 KS
58	Copying wheel 0-1625-202	N532151793	4 KS
59	Spacer	S532016202013	4 KS
60	Screw M 8X90	N309501567	4 KS
61	Nut M 8 DIN 6926 8 Zinc	N532150290	4 KS
62	Belt cover 0-8540-218 MP	N532151774	1 KS
63	V-belt 4L 360 kit of 2 pcs	N272731267	1 PAR
64	Shield	S532097402033	4 KS
65	Shield cover	S532097402043	4 KS
66	Rivet 3.2X7.9 AL/ST DIN7337	N311691008	8 KS
67	Label 0-8732-558 Noise	N283292436	1 KS
68	Decal-safety 0-8730-510	N283292121	2 KS
69	Screw M 8x35	N309543508	6 KS
70	Nut M 8 DIN 6926 8 Zinc	N532150290	8 KS
71	Spring 8E7x7x25	N311726022	2 KS
72	Ring 24	N311733013	2 KS

CAIMAN

N°	Description	Part Number	Qty (UOM)
73	Protection front 122	S532985422333	1 KS
74	Reinforcement lateral 122	S532074452173	2 KS
75	Screw M8x25 Zinc	N309019508	8 KS
76	Nut M 8	N311129501	6 KS
77	Seating D7-201-802-010	N532150903	4 KS
78	Pin D7-201-711-010	N532150904	4 KS
79	Washer 8	N311214502	12 KS
80	Screw M8x12	N309203521	12 KS
81	Screw M10X25KL100 Ripp. V. DACROM	N309578529	4 KS
82	Nut M10 RIPP KL 10 BN 2798	N311129522	4 KS
83	Quick fastener 0-9026-246	N532150533	2 KS
84	Ring 10.78X2.62 NBR 70-SH	N273111057	2 KS
85	Nut M 12	N311120511	2 KS
86	Discharge tunnel compl MP122	S532974472883	1 KS
87	Lock ring I7	N311733007	1 KS
88	Cutting deck MP122 complete	S532986024403	1 KS

CAIMAN

Drive and brace control MP



N°	Description	Part Number	Qty (UOM)
1	Joint holder EATON	S532080413483	1 KS
2	Joint hub	S532980412203	1 KS
3	Steering wheel	S532080112013	1 KS
4	Zink cross joint	S532980212093	1 KS
5	Tightening lever M8x80 Female	N532151682	1 KS
6	Screw M8x25 Zinc	N309019508	1 KS
7	Washer 8.4	N311210503	1 KS
8	Carrier screw 0-9016-427	N309599012	2 KS
9	Nut M 8	N311129501	2 KS
10	Bearing 6003 2RS	N324165074	2 KS
11	Spring pin 6x45	N315238031	1 KS
12	Screw M 8x16 DIN 7500 D BN3326	N309578520	4 KS

CAIMAN

N°	Description	Part Number	Qty (UOM)
13	Spring pin 6x32	N315238011	2 KS
14	Servomechanism shaft EATON	S532080112023	1 KS
15	Handlebar with handle 9-8020-201 M 2014	N443821012	1 KS
16	Steering-wheel cover 0-8516-201	N532151344	1 KS
17	Pump holder	S532912412023	1 KS
18	Drive-pulley holder	S532913322053	1 KS
19	Pulley	S532033252153	1 KS
20	Bushing 1625 KU	N323721006	1 KS
21	Ring 16	N311733006	1 KS
22	Bearing 6303 2 RS	N324163034	1 KS
23	Washer 9 Zinc	N311212517	1 KS
24	Washer 8	N311214502	2 KS
25	Screw M 8X16	N309503517	1 KS
26	Lock ring 47	N311733082	1 KS
27	Screw M 6x50 with eye BN1006 Zinc	N309578514	1 KS
28	Nut M6	N311150504	2 KS
29	Splined pulley, pump	S532033252143	1 KS
30	Screw M 6X20	N309503548	1 KS
31	Washer 6.6	N311212520	1 KS
32	Washer 6	N311214501	1 KS
33	Belt grooved PK-6 LA=675 TG	N272211014	1 KS
34	Screw M 10X35	N309503523	2 KS
35	Nut M 10 DIN 6926 Zinc	N311129523	2 KS
36	Screw M 8X25 KL 100 RIPP V Zinc	N309503005	4 KS
37	Screw M 8X60	N309543516	1 KS
38	Nut M 8	N311150503	1 KS
39	Spring 0-9746-487	N315231230	1 KS
40	Screwed washer	S532012302213	1 KS
41	Drive holder	S532912412033	1 KS
42	Cardan shaft	S532038122293	1 KS
43	Mowing-drive pulley 9-3325-218	N532151786	1 KS
44	Washer	S532092207273	1 KS
45	Nut M 12	N311129505	1 KS
46	Bearing 6205 2RS TFP C3 PEER	N324162102	2 KS
47	Spring 8E7x7x25	N311726022	2 KS
48	Spacer	S532029202103	1 KS

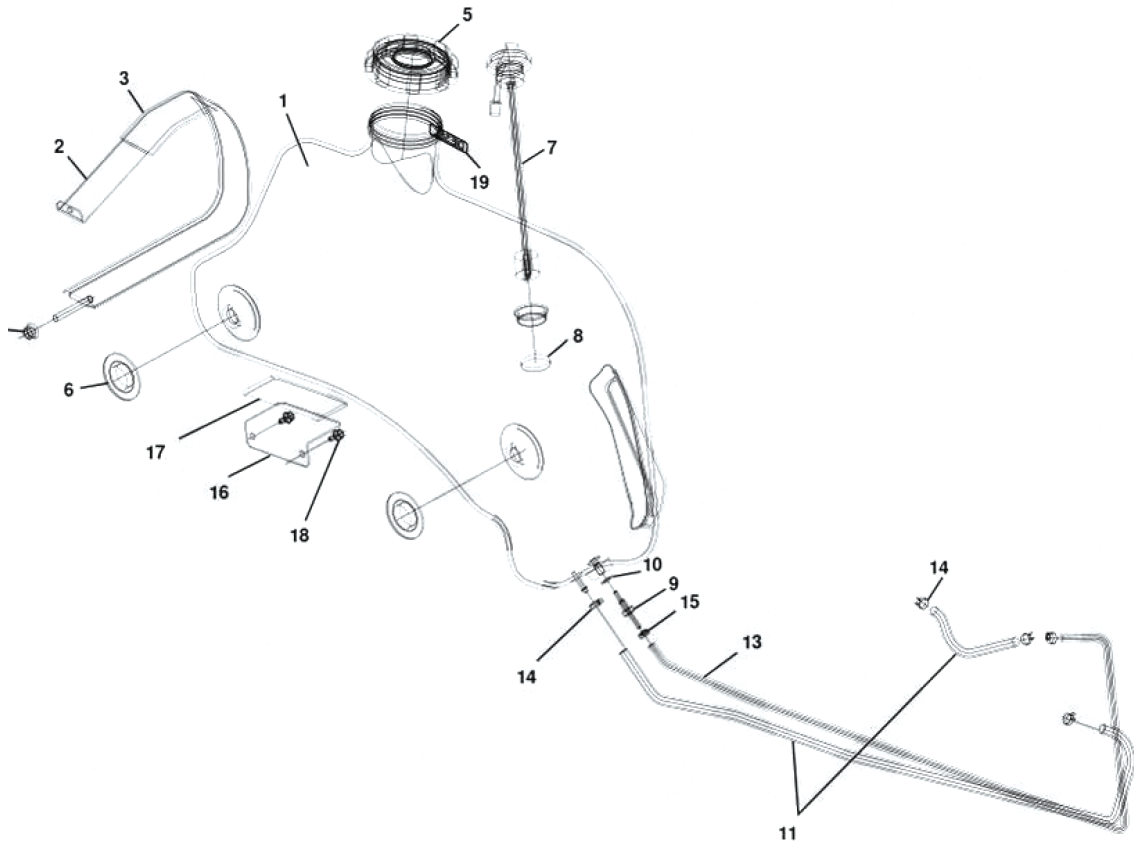
CAIMAN

N°	Description	Part Number	Qty (UOM)
49	Tension-pulley holder	S532913322063	1 KS
50	Pulley	S532033252193	1 KS
51	Bearing 6203 2RS TFP C3 Peer	N324162103	1 KS
52	Lock ring 40	N311733079	1 KS
53	Lock ring 17	N311733007	1 KS
54	Plain bearing KU 6020	N324165833	1 KS
55	Washer	S532092208673	1 KS
56	Safety ring 60	N311733032	1 KS
57	Spring holder	S532013402433	1 KS
58	Spring 0-9746-487	N315231230	1 KS
59	Screw M 6x50 with eye BN1006 Zinc	N309578514	1 KS
60	Nut M6	N311150504	2 KS
61	Screw M 8X25	N309503512	4 KS
62	Nut M 8	N311129501	4 KS
63	Cut. belt XPB 1175LD Pioneer	N272211015	1 KS
64	Drive pedal	S532980442023	1 KS
65	Reverse pedal	S532980442033	1 KS
66	Drive rocker	S532980462513	1 KS
67	Pedal coupling 0-8044-209	N532151787	2 KS
68	Brake pedal	S532980442043	1 KS
69	Travel tie-rod 0-8010-205	N532151796	1 KS
70	Joint BL8D	N319141020	2 KS
71	Nut M 8	N311120520	2 KS
72	Washer 8	N311214502	1 KS
73	Brake holder	S532012412373	1 KS
74	Pedal cover 0-8832-234	N273151013	1 KS
75	Brake pedal 0-8051-201	N532151783	1 KS
76	Foot pedal plastic 0-8051-202	N532151568	1 KS
77	Brake tie rod guidance	S532080413513	1 KS
78	Brake latch	S532037402013	1 KS
79	Parking brake rod 0-8044-211 MP	N532151785	1 KS
80	Brake lever	S532080302073	2 KS
81	Brake bowden cable 9-8074-210MP	N443900163	2 KS
82	Spring 0-9746-493 Diff.lock	N315231239	2 KS
83	Damper holder	S532013402443	1 KS
84	Damper 621 100 004	N532151283	1 KS

CAIMAN

N°	Description	Part Number	Qty (UOM)
85	Throttle lever assy	N443900096	1 KS
86	Throttle lever 0-8060-244 black	N443900148	1 KS
87	Spring TZ 2x14x62 Zinc	N315231111	1 KS
88	Spring TZ 080.088.0312 Zinc	N315231224	1 KS
89	Cardan-shaft WEASLER 9-3887-201	N319141018	1 KS
90	Cardan cover 0-8540-220	N532151794	1 KS
91	Carden-cover pin	S532093112153	1 KS
92	Flexible spindle 0-9245-240	N315238035	4 KS
93	Bushing 1615 KU Teflon	N323721004	8 KS
94	Washer 17	N311210507	1 KS
95	Ring 16	N311733006	3 KS
96	Washer 8.4	N311210503	4 KS
97	Safety-pin 2.5x18	N311338505	4 KS
98	Screw M 8x16 DIN 7500 D BN3326	N309578520	2 KS
99	Screw M 6X18	N309503557	1 KS
100	Nut M 6 DIN 6926	N311129525	1 KS
101	Screw M 8X20	N309543506	2 KS
102	Screw M8X20	N309503518	2 KS
103	Screw M 5x12 DIN 7500D BN3326	N309578544	2 KS
104	Screw M 4X14 021131.25	N309231535	1 KS
105	Nut M4	N311129514	1 KS
106	Nut M 8	N311129501	10 KS
107	Screw M 6X16 DIN 7500D BN 3326	N309578517	4 KS
108	Spindle 2x20	N311338501	2 KS
109	Washer 6.4	N311210502	2 KS
110	Washer 10.5	N311210504	2 KS
111	Pin 3.2X28	N311318017	2 KS

Diesel tank MP



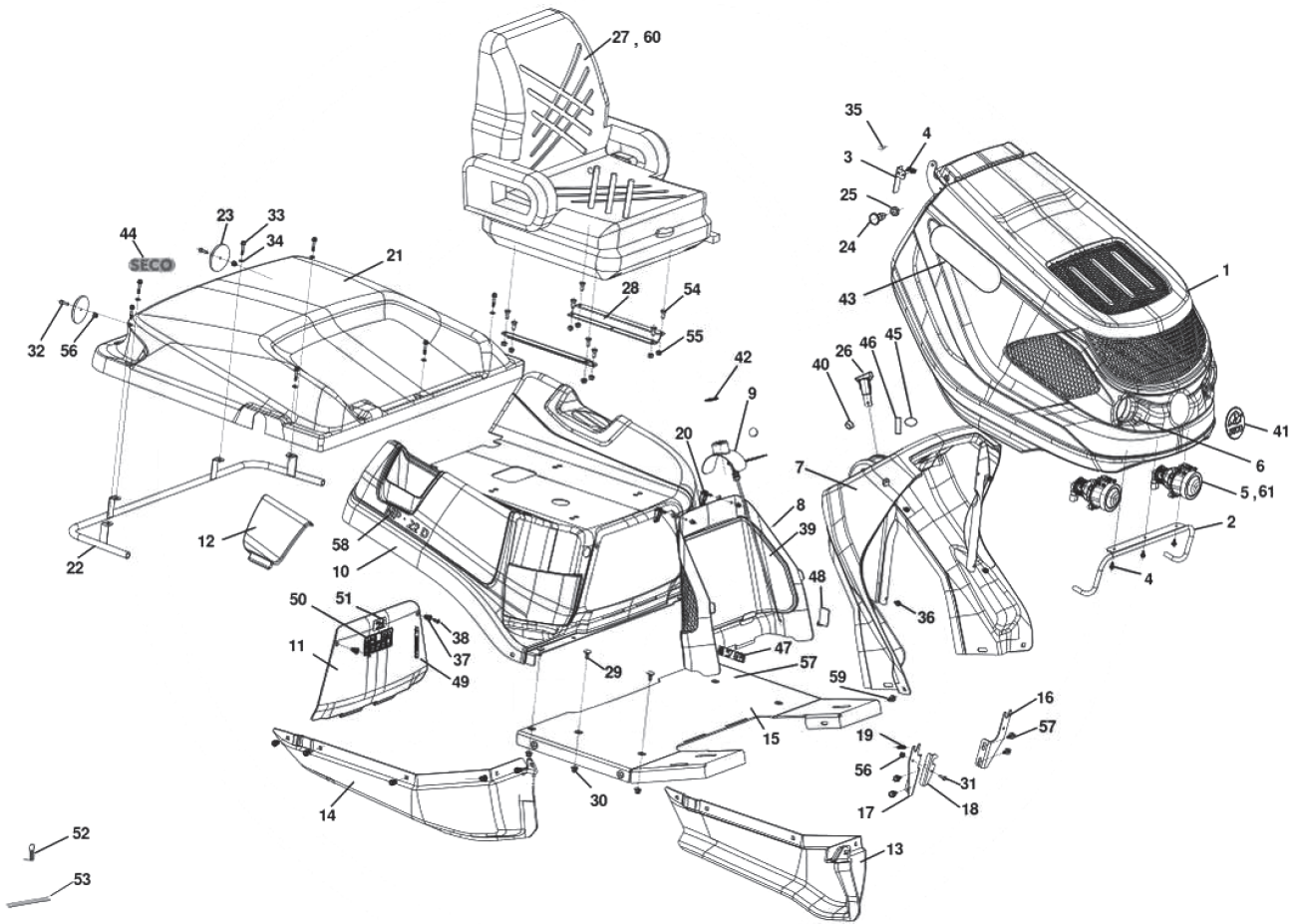
CAIMAN
DIESEL TANK MP

CAIMAN

N°	Description	Part Number	Qty (UOM)
1	Fuel tank 0-2766-225 MP122D	N232130030	1 KS
2	Tank sleeve	S532913422043	1 KS
3	MIKROPROFIL 5X50 PRO ND	S532986022713	1 KS
4	Nut M 8 DIN 6926 8 Zinc	N532150290	1 KS
5	Cap Power Grip 350	N532151781	1 KS
6	Rubber sleeve 28.5x2	N273121038	2 KS
7	Reserve senzor E-Senzor 100	N443422005	1 KS
8	Sealing Gromet 201428	N273192053	1 KS
9	Throat 9-8247-202 diesel reversib	N532991071	1 KS
10	Seal 0-9620-203 NBR	N273192070	1 KS
11	Fuel hose MP122	S532986022673	1 KS
12	Not used in this performance	NK00000000	1 KS
13	Fuel hose MP122	S532986022683	1 KS
14	Spring buckle W1 13-16MM	N548241030	4 KS
15	Spring buckle W1 9-12 MM	N548241031	2 KS
16	Tank support	S532013402403	1 KS
17	MIKROPROFIL 5X50 PRO ND	S532986022713	1 KS
18	Screw M 6x12 DIN 7500 BN 3326	N309578546	2 KS
19	Sticker 1-8732-887 Diesel	N283293658	1 KS

CAIMAN

Cover MP



CAIMAN

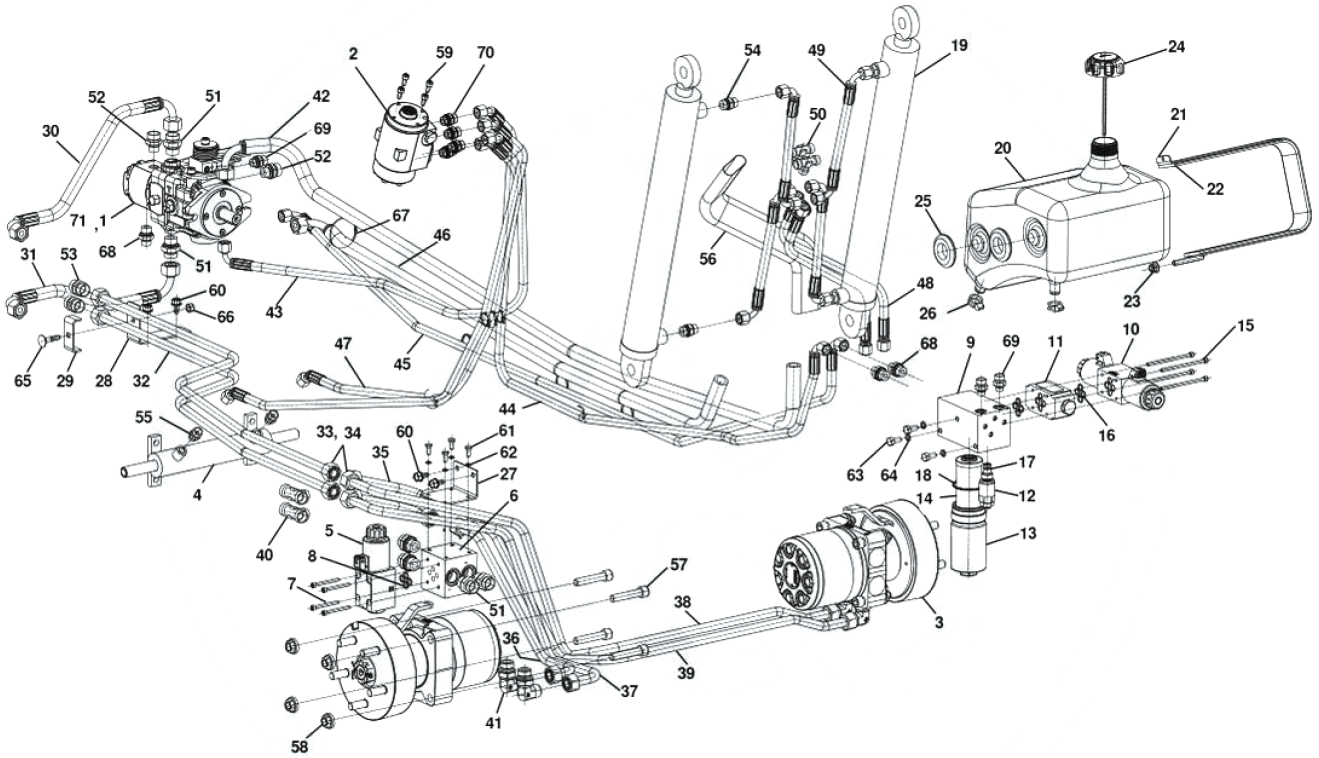
N°	Description	Part Number	Qty (UOM)
1	Hood 9-1849-449	N532151812	1 KS
2	Clamping frame	S532913452273	1 KS
3	Hood spring	S532097402083	1 KS
4	Screw M 6x10 DIN 7500 D	N309578545	5 KS
5	Dimmed light 05-1455-0000-55	N341271227	2 KS
6	Sticker 1-8732-925	N283293684	1 KS
7	Dashboard compl. 9-8048-211	N532151798	1 KS
8	Dashboard cover 9-8547-207	N532151799	1 KS
9	Steering wheel cover 0-8540-212	N532151683	1 KS
10	Fender 9-1847-231	N532151801	1 KS
11	Fender cover 0-8547-243	N532151802	1 KS
12	Box cover 0-8547-245	N532151803	1 KS
13	Foot-floor cover L 0-8547-246	N532151804	1 KS
14	Foot-floor cover R 0-8547-247	N532151805	1 KS
15	Foot floor	S532012402173	1 KS
16	Footing left	S532013402483	1 KS
17	Footing right	S532013402493	1 KS
18	Hood hook	S532014302153	1 KS
19	Spring TZ 080.088.0312 Zinc	N315231224	1 KS
20	Spacer cap 19-91-10	N532151807	2 KS
21	Grass-box cover 0-7447-295	N532151806	1 KS
22	Grassbox protection	S532974472933	1 KS
23	Reflection rear diam.79/6	N321853004	2 KS
24	Locking pin 03089-5308	N532151808	1 KS
25	Nut M 16x1.5 ISO 8675	N311129535	1 KS
26	P.brake handle 9-MTD-299	N532151292	1 KS
27	Seat Miralbueno SC 24	N532151809	1 KS
28	Seat holder	S532012412413	2 KS
29	Screw M 8X20 Zinc	N309019501	6 KS
30	Nut M 8 DIN 6926 8 Zinc	N532150290	6 KS
31	Screw M6X16	N309503508	1 KS
32	Screw M 6X20 DIN 912 8.8 ZINK	N309503575	2 KS
33	Screw ST 6.3X32 DIN 7504 K	N309315013	7 KS
34	Washer rubber 6.4x14x1.2	N273192056	7 KS
35	Carrier screw 0-9016-427	N309599012	2 KS
36	Screw M 6x10 DIN 7500 D	N309578545	4 KS
37	Seating D7-201-802-010	N532150903	12 KS
38	Pin D7-201-711-010	N532150904	12 KS
39	Dust filter 0-8530-216	N532151811	1 KS
40	Blind plug diam.20 GL24-010	N532151810	1 KS
41	Label 1-8732-630 Seco diam. 90	N283293407	1 KS
42	Sticker 1-8732-631 Seco diam.38	N283293408	1 KS

CAIMAN

N°	Description	Part Number	Qty (UOM)
43	Label 1-8732-629 hood Seco	N283293406	2 KS
44	Sticker 1-8732-929 Logo Seco	N283293680	1 KS
45	Sticker 1-8732-930	N283293681	1 KS
46	Panel	N283293201	1 KS
47	Label 0-8732-208 Travel	N283293028	1 KS
48	Label 0-8732-395	N283292302	1 KS
49	Sticker 1-8732-931	N283293682	1 KS
50	Label 0-8732-336	N283292228	1 KS
51	Label 0-8732-220 slope 12	N283293023	1 KS
52	Mowing spring locking	S532086402033	2 KS
53	Tool MP	S532086412013	1 KS
54	Screw M 8X20	N309543506	8 KS
55	Nut M 8	N311129501	8 KS
56	Nut M 6 DIN 6926	N311129525	3 KS
57	Screw M 8x16 DIN 7500 D BN3326	N309578520	4 KS
58	Label 1-8732-937	N283293685	2 KS
59	Screw M 8X25 DIN 6921 8.8 Zinc	N309578011	2 KS
60	Seat damper 700000007020 MP	S000000071276	1 KS
61	Lightbulb 12V, 60W HB3	N347224009	2 KS

CAIMAN

Hydraulic distribution MP



CAIMAN

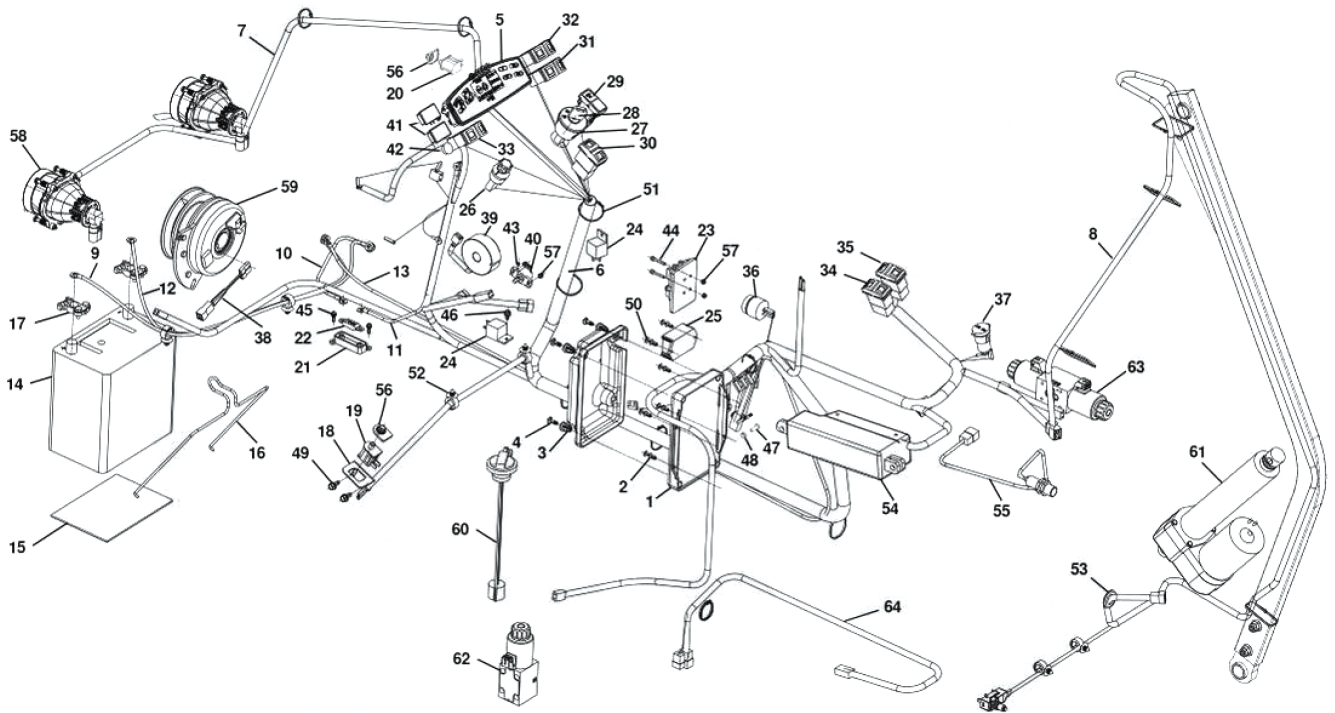
N°	Description	Part Number	Qty (UOM)
1	Pump PMV014 POCLAIN	N336231001	1 KS
2	Power steering ABR13A370AA	N336361001	1 KS
3	Hydraulic motor DF 195 WS B80 AAA	N336361002	2 KS
4	Hydraulic cylinder HV 32/18-120 4	N336315040	1 KS
5	Switchboard RPE3-062C81/01200E3A	N336451018	1 KS
6	Board AL 4xG1/2" 42391900	N336451019	1 KS
7	Screw M 5x50	N309543532	4 KS
8	Sealing ring 9,25x1,68 NBR 70 BK	N273111105	4 KS
9	Block AL	N336451012	1 KS
10	Switch board RPE3-063H16/01200E3A	N336451015	1 KS
11	Hydraulic lock 2RJV1-06/MC9-030-A	N336451014	1 KS
12	Pressure valve SR1A-A2/L10S-A	N336451013	1 KS
13	Filter reverse HD 045.1530	N336451017	1 KS
14	Filter insert D 042-0206S2	N336451016	1 KS
15	Screw M5x90 DIN 912 8.8	N309503584	4 KS
16	Sealing ring 9,25x1,68 NBR 70 BK	N273111105	8 KS
17	Sealing ring 17x1.8 NBR 70 BK	N273111106	1 KS
18	Sealing ring N007.0501	N273111107	1 KS
19	Hydraulic cylinder HV 50/28 415K	N336315041	2 KS
20	Oil Tank	N232130031	1 KS
21	Tank strip	S532913422053	1 KS
22	Screw M5X50 PRO ND	S532986022713	1 KS
23	Nut M 8 DIN 6926 8 Zinc	N532150290	1 KS
24	Cap TARGET 175 with measurement 4	N321841104	1 KS
25	Rubber sleeve 28.5x2	N273121038	2 KS
26	Hose clip 9W1 16-25 EURO	N548241028	2 KS
27	Locking holder	S532013412493	1 KS
28	Tubes holder	S532013402463	1 KS
29	Hose clamp	S532012402123	1 KS
30	Hydraulic hose 9-8236-232 B main	N336631124	1 KS
31	Hydraulic hose 9-8236-235 A main	N336631125	1 KS
32	Tube main	S532082372053	2 KS
33	Ring 15 DIN 3861	N336681013	16 KS
34	Sleeve nut ML-15 DIN3870M22	N336681012	16 KS
35	Tube short	S532082372063	2 KS
36	Tube left front/block left	S532082372073	1 KS
37	Tube left rear/cross lower	S532082372083	1 KS
38	Tube right front/cross upper	S532082372093	1 KS
39	Tube right rear/block right	S532082372103	1 KS
40	T connection 3xM22x1.5	N336681029	2 KS
41	Throat 7/8 UNF/M22x1.5 90	N336681030	4 KS
42	Hydraulic hose 9-8236-236 suction	N336631126	1 KS

CAIMAN

N°	Description	Part Number	Qty (UOM)
43	Hydraulic hose 9-8236-237 pressur	N336631127	1 KS
44	Hydraulic hose 9-8236-238 externa	N336631128	1 KS
45	Hydraulic hose 9-8236-240 filling	N336631129	1 KS
46	Hydraulic hose 9-8236-241 back	N336631130	1 KS
47	Hydraulic hose 9-8236-242 steerin	N336631131	2 KS
48	Hydraulic hose 9-8236-243 lifting	N336631132	2 KS
49	Hydraulic hose 9-8236-244 piston	N336631133	4 KS
50	T connection 3xM16x1.5	N336681031	2 KS
51	Throat G1/2" M22x1.5	N336681032	6 KS
52	Throat G3/8" M22x1.5	N336681035	2 KS
53	Connection M22x1.5	N336681036	2 KS
54	HRDLO M16X1,5-M16X1,5	N336681027	4 KS
55	Throat M12x1.5-M16x1.5	N336681037	2 KS
56	Coat protection 0-8520-204	N532151795	1 KS
57	Schrew M 12x60	N309543530	8 KS
58	Nut M 12 DIN 6923 8 Zinc. toothed	N311129521	8 KS
59	Screw M 6x14	N309543519	4 KS
60	Screw M 8x16 DIN 7500 D BN3326	N309578520	4 KS
61	Screw M 6X14	N309203540	4 KS
62	Washer 6	N311214501	4 KS
63	Screw M8X20	N309503518	3 KS
64	Washer 8	N311214502	3 KS
65	Screw M 8X35 ZINK	N309019506	1 KS
66	Nut M 8	N311129501	1 KS
67	Tie RT 360 /L=200/	N532150332	10 KS
68	Reduction G3/8" M 16x1,5	N336681023	3 KS
69	Throat G1/4" M16x1.5	N336681034	3 KS
70	Throat 9/16-18 UNF/M16x1.5 DIN235	N336681038	4 KS
71	Sealing kit Poclairn 6000990012	S000000071354	1 KS

CAIMAN

Electrical installation diesel MP



CAIMAN

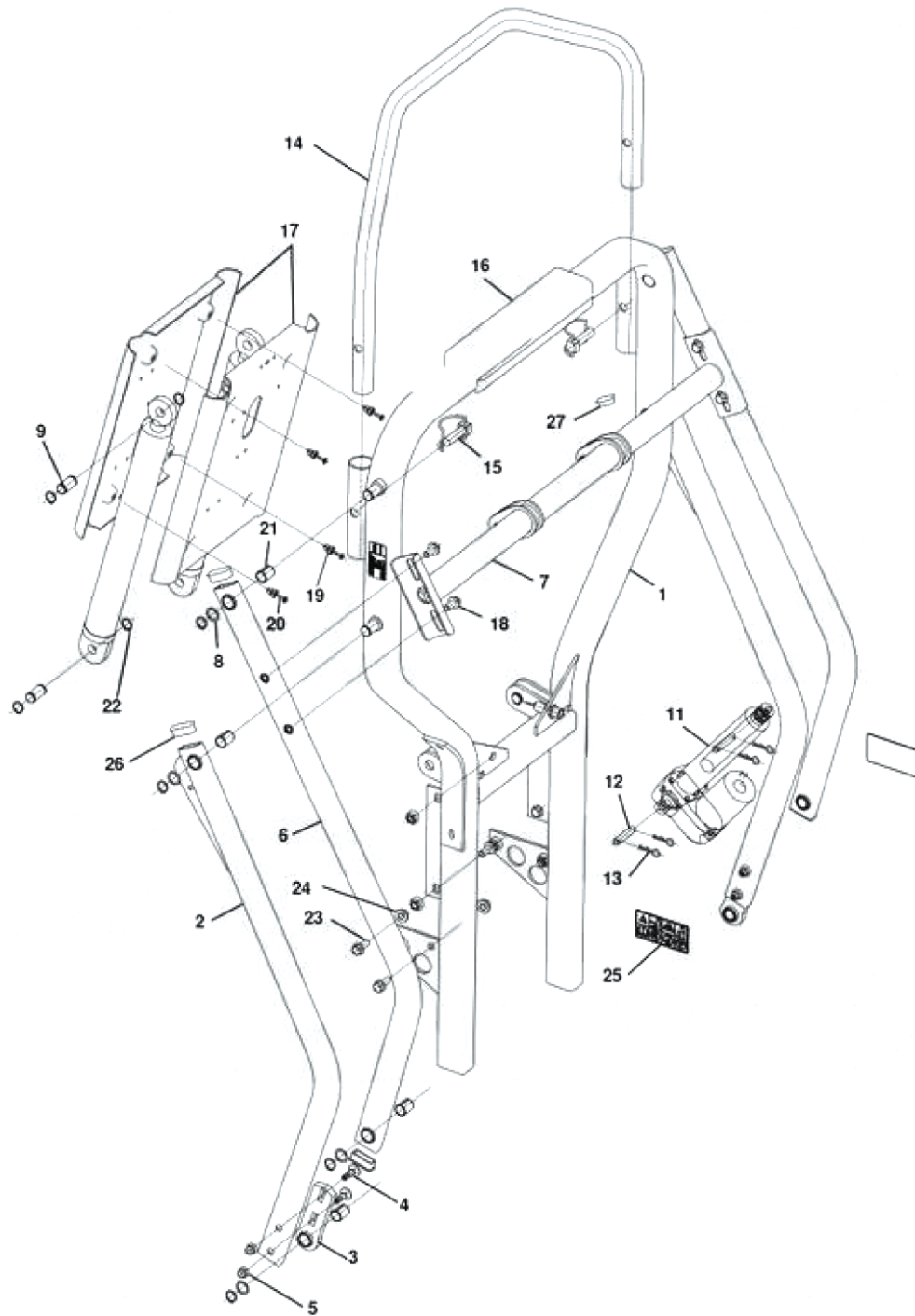
N°	Description	Part Number	Qty (UOM)
1	Module KS004128 MP	N341271233	1 KS
2	Rivet 282702	N532151116	4 KS
3	Seating D7-201-802-010	N532150903	4 KS
4	Pin D7-201-711-010	N532150904	4 KS
5	Display KS004119	N443433015	1 KS
6	Wiring harness KS004120	N341271228	1 KS
7	Lights cable harness KS004140	N341271229	1 KS
8	Grass box cable harness KS004141	N341271230	1 KS
9	CABLE + BAT/STAR KS004142	N341271231	1 KS
10	CABLE + STAR/50A KS004143	N341271232	1 KS
11	CABLE + 50A/ALT KS004144	N341271234	1 KS
12	CABLE- BAT/STAR KS004145	N341271235	1 KS
13	CABLE- STAR/FRAME KS004146	N341271236	1 KS
14	Battery 12V 36Ah NS40L	N346211011	1 KS
15	WASHER 0-9630-307 T3	N273192028	1 KS
16	Battery holder 0-9040-201	N532151813	1 KS
17	Battery clamp BOSCH 0189999021-44	N443826006	1 KS
18	Sensor holder	S532013412503	1 KS
19	Seat switch Delta 6440-53	N532151386	1 KS
20	Seat switch Delta 6440-04	N000532079	1 KS
21	Fuse holder 50A	N345211061	1 KS
22	Fuse 50A Emtron 101546	N443855015	1 KS
23	Fuse box 6 positions	N345211062	1 KS
24	Relay FRC 2C	N358261019	3 KS
25	Soft start module 5219-278-002	N443116002	1 KS
26	Cutting position KS004147	N341271237	1 KS
27	Switch box Delta 6900-47 P	N443861007	1 KS
28	Starting key DELTA 688P-001	N443900137	1 SD
29	Switch VDD2S001 9ZZCR 100	N345329023	1 KS
30	Switch R VB12AXOB-FBACXX-300-XDV3	N345329026	1 KS
31	Switch cruise control VDD2BXOB-FB	N345329027	1 KS
32	Switch AUT/MAN VDD2DXXB-FBACXX-	N345329028	1 KS
33	Switch hare/turtle VDD2DXXB-	N345329029	1 KS
34	Switch,grass box lifting VL12UXXB	N345329030	1 KS
35	Switch, grass box opening VL12UXX	N345329031	1 KS
36	Buzzer PF 27 A 29 EP	N443312021	1 KS
37	Power outlet 4800128	N345211059	1 KS
38	Protective diodes harness 9-8316-	N341271052	1 KS
39	El.Magnet.Rate 9-8032-214	N358352009	1 KS
40	Sensor, neutral KS004149	N443422006	1 KS
41	Plug OBD 40x25	N321841105	2 KS

CAIMAN

N°	Description	Part Number	Qty (UOM)
42	Plug diam.16 GL20-010	N321841106	1 KS
43	Screw M 5x6 EN 27436	N309282001	1 KS
44	Screw M 4x25	N309543533	2 KS
45	Screw ST 4,2X13 DIN7504-K BN1880	N309315012	2 KS
46	Screw M 5x12 DIN 7500D BN3326	N309578544	2 KS
47	Screw M 6X20	N309503548	1 KS
48	Nut M 6	N311129513	1 KS
49	SCREW M 6X16 DIN 7500D BN 3326	N309578517	2 KS
50	Rivet 282702	N532151116	2 KS
51	Tie RT 360 /L=200/	N532150332	14 KS
52	Clip WSBH 1-0-1	N532150211	7 KS
53	Rubber sleeve 18x2	N273121020	1 KS
54	Linear actuator LINAK LA14-102	N338691007	1 KS
55	Wiring harness KS004156 grass box	N341271239	1 KS
56	Cap DELTA 9910 rubber	N532151567	2 KS
57	Nut M4	N311129514	4 KS
58	Dimmed light 05-1455-0000-55	N341271227	2 KS
59	Elmag. clutch Warner IXR12441	N339242010	1 KS
60	Reserve senzor E-Senzor 100	N443422005	1 KS
61	Linear actuator LA10 D12 10B5-6	N338691008	1 KS
62	Switchboard RPE3-062C81/01200E3A	N336451018	1 KS
63	Switch board RPE3-063H16/01200E3A	N336451015	1 KS
64	Harness, lifting LINAK KS004159	N341271241	1 KS

CAIMAN

Lifting the tray

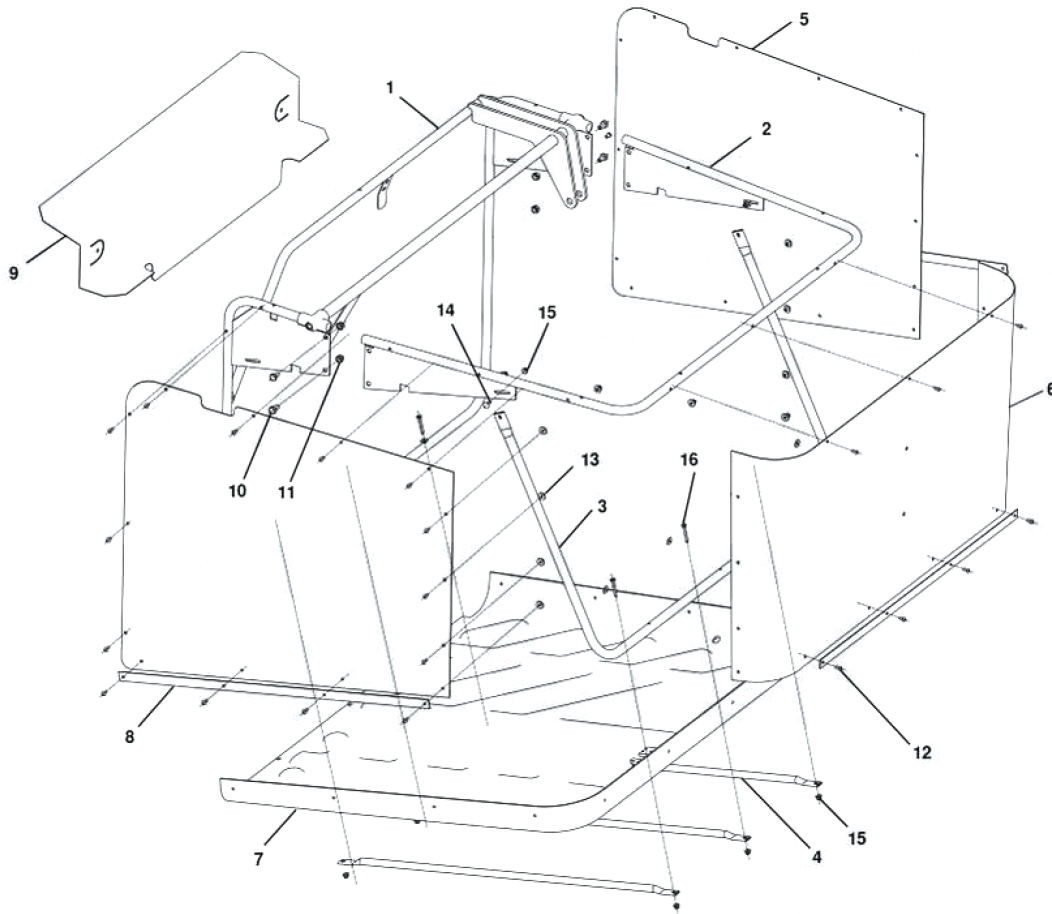


CAIMAN

N°	Description	Part Number	Qty (UOM)
1	Frame ROPS	S532912472343	1 KS
2	Arm lower	S532980362033	2 KS
3	Adjusting hub	S532980362053	2 KS
4	Screw M 10x35	N309019536	4 KS
5	Nut M 10 DIN 6926 Zinc	N311129523	4 KS
6	Lifting arm, upper	S532980362043	2 KS
7	Arm rail	S532980362063	1 KS
8	Washer 28x20.5x1	S532092202383	8 KS
9	Piston rod pin	S532093102093	4 KS
11	Linear actuator LA10 D12 10B5-6	N338691008	1 KS
12	Shaft	S532193103593	2 KS
13	Flexible spindle 0-9245-240	N315238035	4 KS
14	ROPS tube	S532085422353	1 KS
15	Safety pin 16x50	N311515086	2 KS
16	Headrest 0-8540-219	N532151788	1 KS
17	Piston-rod cover 0-8540-221	N532151789	2 KS
18	Screw M 12x25 KL 100	N309578571	12 KS
19	Seating D7-201-802-010	N532150903	4 KS
20	Pin D7-201-711-010	N532150904	4 KS
21	Bearing housing 2030 KU	N323721023	8 KS
22	Lock ring 20	N311733010	16 KS
24	Nut M 12 DIN 6923 8 Zinc. toothed	N311129521	8 KS
25	Sticker 1-8732-923	N283293676	2 KS
26	The rivet 50x20x2	N321841103	5 KS
27	The rivet 35x20x2	N321841102	1 KS

CAIMAN

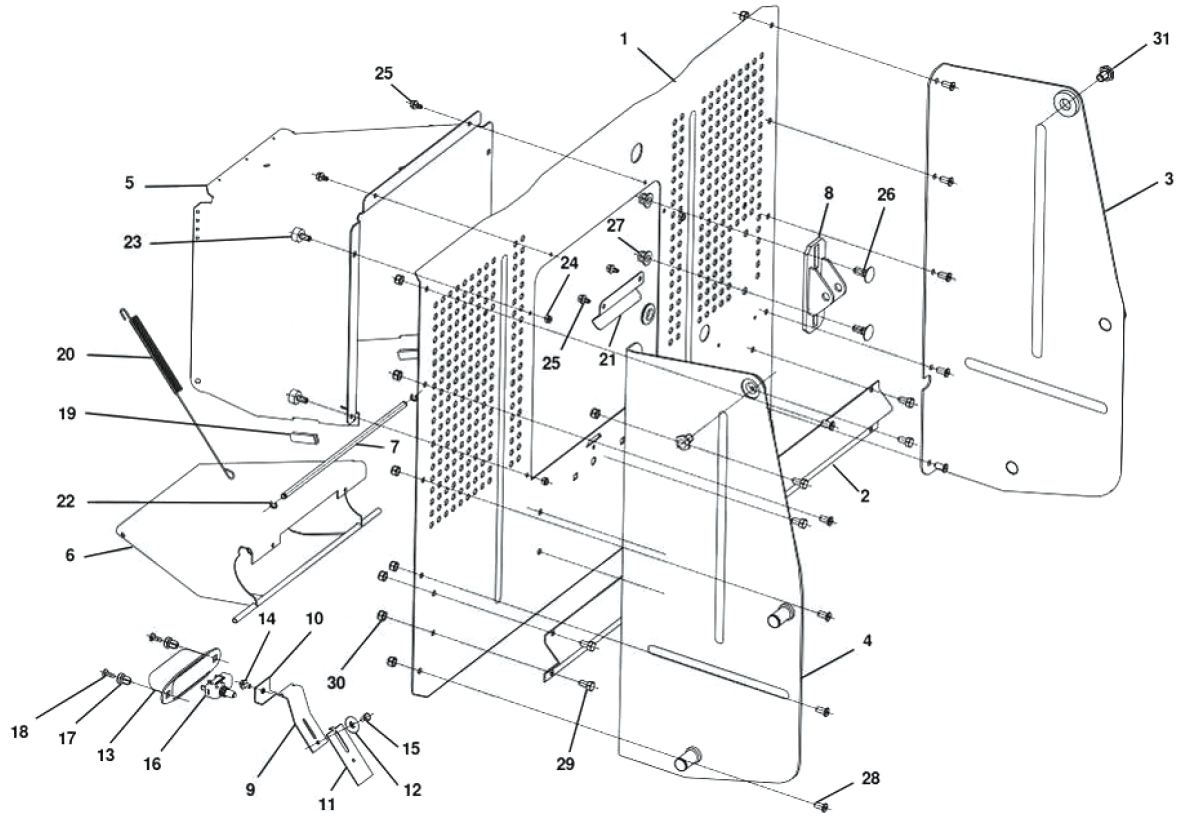
Grasscollector MP



N°	Description	Part Number	Qty (UOM)
1	Grassbox frame front	S532974472913	1 KS
2	Grassbox frame upper	S532974472923	1 KS
3	Bottom strut	S532074452253	1 KS
4	Bottom tube	S532074262163	3 KS
5	Grassbox side, sheet metal	S532074302433	2 KS
6	Grass box back, sheet metal	S532074302443	1 KS
7	Grass box bottom 0-7432-209	N532151791	1 KS
8	Strap	S532013402453	3 KS
9	Lid cover, grass box	S532085412183	1 KS
10	Screw M 8X16	N309503517	4 KS
11	Nut M 8	N311129501	4 KS
12	Rivet 4.8X10 AL/ST	N311691009	35 KS
13	Washer 5.5 Zinc DIN9021A	N311212514	21 KS
14	Screw M 5x16	N309019535	2 KS
15	Nut M 5 DIN 6926 Zinc	N311129524	8 KS
16	Screw M 5X30	N309203555	6 KS

CAIMAN

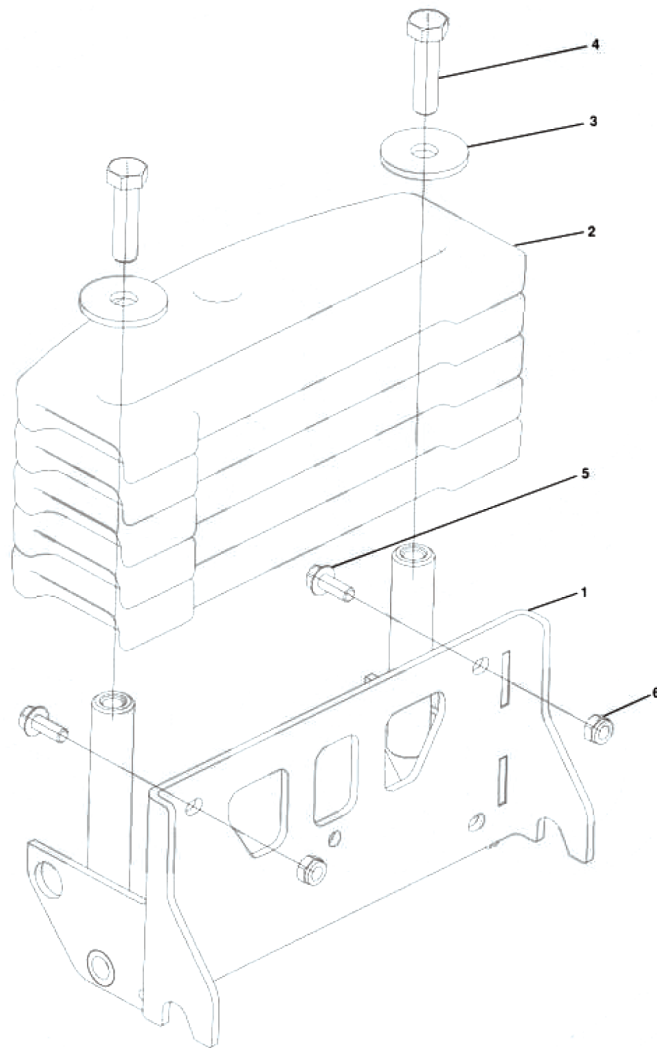
Grassbox plate MP



CAIMAN

N°	Description	Part Number	Qty (UOM)
1	Board	S532074412243	1 KS
2	Board reinforcement	S532015402203	1 KS
3	Board side, right	S532974422503	1 KS
4	Board side left	S532974422523	1 KS
5	Tunnel	S532074473083	1 KS
6	Flap tunnel	S532974412013	1 KS
7	Flap pin	S532093112193	1 KS
8	Actuator holder	S532974432563	1 KS
9	Flap	S532014412233	1 KS
10	Holder	S532113408353	1 KS
11	Plug plate	S532014417353	1 KS
12	Control head 0-8060-201	N532151790	1 KS
13	Switch cover 0-8540-207	N532151506	1 KS
14	Screw M 6x10 KL 100 RIPP Zinc	N309503579	1 KS
15	Screw M6X16	N309503508	1 KS
16	Microswitch MKH 12 D 13-S1	N345359004	1 KS
17	Seating D7-201-802-010	N532150903	2 KS
18	Pin D7-201-711-010	N532150904	2 KS
19	Grass-collector board edging	S532986023763	1 KS
20	Flap spring 0-9746-216	N315231284	2 KS
21	Cable cover	S532013412463	1 KS
22	Lock ring 6	N311732007	2 KS
23	Silentblock type 4 20/10 M6x15	N273192072	4 KS
24	Nut M 6	N311129513	4 KS
25	Screw M 6x10 DIN 7500 D	N309578545	4 KS
26	Screw M 10x25	N309019502	2 KS
27	Nut M 10 DIN 6926 Zinc	N311129523	2 KS
28	Screw M 8x16 BN 9524 Zn	N309578569	10 KS
29	Screw M 8X16	N309503517	8 KS
30	Nut M 8	N311129501	18 KS
31	Grassbox screw M12	S532090162113	2 KS

Front weight MP



N°	Description	Part Number	Qty (UOM)
1	Weight carrier MP122	S532986422213	1 KS
2	Additional weight	S532018322033	5 KS
3	Washer 18	N311212503	2 KS
4	Screw M 16x60	N309503542	2 KS
5	Screw M10X25KL100 Ripp. V. DACROM	N309578529	2 KS
6	Nut M 10	N311129502	2 KS