

Parts Catalogue

Dako 19H



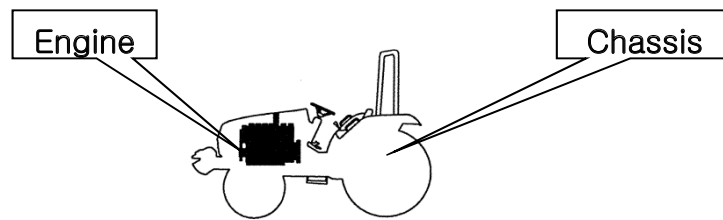
Important tips of Parts Catalogue

We thank you for your purchasing our product, manufactured under strict quality control, by gathering plenty of experiences and new technology, designed for a comfort and pleasant work.

1. Part Composition

This catalogue deals with engine and chassis.

Detailed classifications are listed in the following page.



2. For locating parts easily, Please Note:

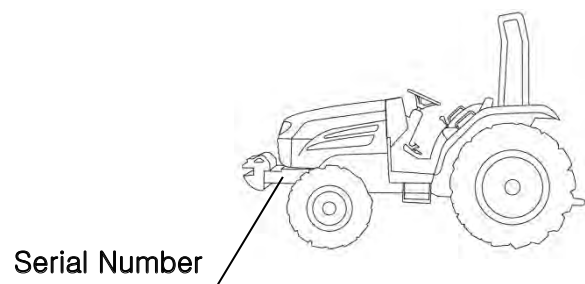
A. If you know the assembly where the part is used.

- Refer to the relevant figure from the identifying group symbol illustration,
- Locate the relevant chapter
- Refer to the particular chapter desired.

3. For ordering parts

To obtain spare parts please contact your nearest dealer and give him the details listed below.

- ① Tractor Model : Dako 19H
- ② Tractor Serial Number : H00001
- ③ Part Number : 11111010010
- ④ Description : COUPLING , PTO
- ⑤ Quantity required: 1



4. For ordering PARTS CATALOGUE

This is Priced item and one is to order the same on part No. 11119120030

This supersedes all our editions.

Note) When replacing parts, please use original spare parts to be sure of the performance and the longer life of the product

※ The information in this catalogue may at any time be modified without a prior notice for the improvement of performance, please consult our spare parts dept. for the detailed inquiry.

5. How to use parts catalogue

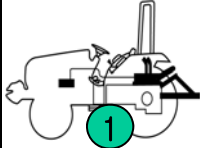
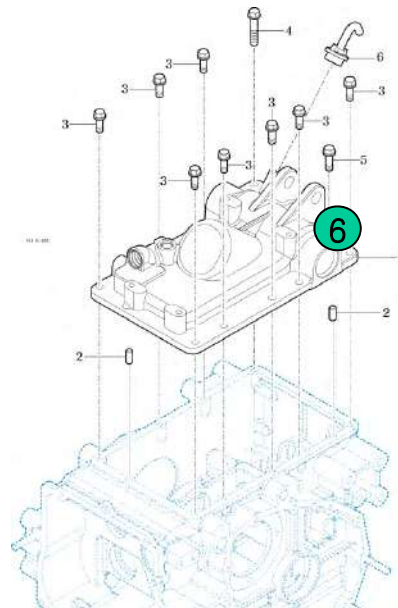
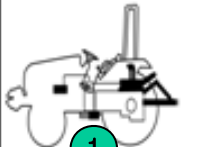
FIG 601 2	3 CYLINDER CASE	P1 4	Year 5 2014	
				
NOTE	13			

FIG 601 2 T254NH	3 CYLINDER CASE	P1 4	Year 5 2014				
KEY NO.	PART NO.	DESCRIPTION	SPEC.	QTY.	REPAIR	EFFECTIVE DATE	REMARKS
601 001	11105010011M	CASE , CYLINDER		1			
601 002	V5201010018	PIN , PARALLEL/A	10X20(A)	2			
601 003	V2173610030	BOLT , HEX/S	M 10X30	8			
601 004	V2173610055	BOLT , HEX/S	M 10X55	1			
601 005	V2173610065	BOLT , HEX/S	M 10X65	1			
6 06	7 1902	8 CAP ASSY , OIL	9	10	11	12	14
NOTE	13						

- ① Group Indication : Indicate the relevant location of the part with a symbol illustration.
- ② Figure Number: Indicate the relevant section of the machine with a figure number.
- ③ Section Name : Indicate the section name of the machine
- ④ Section Page : Page number of the section in this catalogue.
- ⑤ Date : Show the Year of the section made or updated

⑥ Key number : Indicating number of each parts in the illustration.

⑦ Part Number : Unique part number maintained in our system

The part number starting with V or M means it is standard part

The alphabet at the end of part number means the status of material or the color of paint

Legend : M:Machining, DG:Dark Gray, BR:Bright Red, SW:Summer White, PB:Pure Black, GB:Glossy Black, SR:Super Red, MS:Metallic Silver DD:Heat proof Black, TY: Tangerine Yellow etc.

⑧ Description : Description of a part, Abbreviation means as follows.

– Indicate the mixture condition of a part

ASSY : Assembly with a mixture of several parts, so can be broke up retaining their original form

COMP : Assembly with a mixture of several parts, but can not be broke up retaining their original form

SUB : mean the same as ASSY but used in lower level in aid.

SET : Part consist of ASSY, COMP, and part(s) as a group

– Indicate the location of a part

LH: Left, RH: Right, FR: Front, RR: Rear, UPR: Upper, LOW: Lower

⑨ Type : Type of the standard items like bolt or nut

⑩ Quantity : Total quantity of the part referred to in the page.

Symbol below indicate options. So, show the quantity of each option.

Note) AR means as requested quantity.

⑪ Repair Parts consumption frequency class: indicate the level of a part in aid of stocking spares, anticipating the service requirements.

A :Fast moving part(frequently required)

B :Medium moving part (sometimes required)

C :Slow moving part(rarely required)

⑫ Modification :

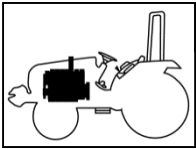
Year/Month~ : From which the change starts

~ Year/Month : To which the part installed

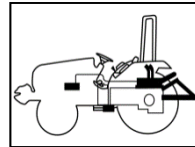
⑬ Notes : explain some reference data

⑭ Remark : indicate reference data or abbreviation in the content.

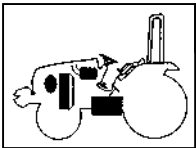
ENGINEERING GROUP INDEX



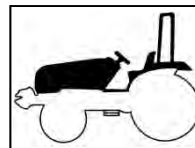
1 ENGINE



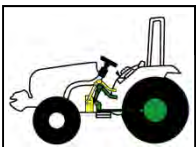
6 HYDRAULICS & 3-POINT LINK



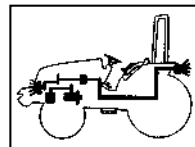
2 ENGINE ACCESSORIES & CONTROL



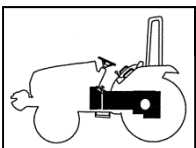
7 SHEET METAL & ROPS



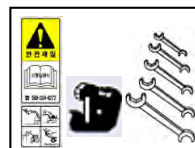
3 CLUTCH, BRAKE, STEERING



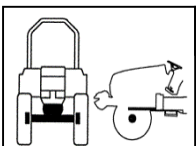
8 ELECTRICALS & HARNESS



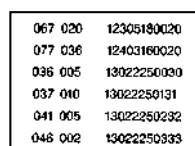
4 TRANSMISSION & REAR AXLE



9 LABEL, TOOLS



5 FRONT AXLE, SUPPORTER & DRIVE SHAFT



10 NUMERICAL INDEX

067 020	12305180020
077 036	12403160020
036 005	13022250030
037 010	13022250131
041 005	13022250232
046 002	13022250333

CONTENTS

ENGINE

1 ENGINE

FIG 101 CYLINDER BLOCK -----	04
FIG 102 GEAR HOUSING -----	06
FIG 103 MOUNTING FLANGE & OIL SUMP-----	08
FIG 104 CYLINDER HEAD & BONNET-----	10
FIG 105 EXHAUST MANIFOLD -----	12
FIG 106 CAMSHAFT & DRIVING GEAR -----	14
FIG 107 CRANKSHAFT & PISTON -----	16
FIG 108 LUB. OIL SYSTEM -----	18
FIG 109 COOLING WATER SYSTEM -----	20
FIG 110 FUEL INJECTION PUMP -----	22
FIG 111 GOVERNOR -----	24
FIG 112 FUEL INJECTION VALVE -----	26
FIG 113 FUEL PIPE-----	28
FIG 114 STARTING MOTOR -----	30
FIG 115 GENERATOR -----	32
FIG 116 ACCESSORY-----	34

CHASSIS

2 ENGINE ACCESSORIES & CONTROL

FIG 201 AIR CLEANER -----	40
FIG 202 RADIATOR -----	42
FIG 203 MUFFLER -----	44
FIG 204 FUEL TANK & FUEL LINE -----	46
FIG 205 ACCELERATOR -----	48
FIG 206 FUEL FILTER -----	50
FIG 207 ENGINE MOUNTING -----	52

3 BRAKE,STEERING

FIG 302 BRAKE PEDAL & LINKAGE -----	58
FIG 303 SPEED CONTROL -----	60
FIG 304 DASH COVER -----	62
FIG 305 STEERING VALVE -----	64
FIG 306 STEERING CYLINDER -----	66
FIG 307 TIRE -----	68

4 TRANSMISSION & REAR AXLE

FIG 401 INPUT SHAFT -----	74
FIG 402 HST -----	76
FIG 403 PTO CLUTCH SUB& RANGE GEAR SUB -----	78
FIG 404 SPIRAL BEVEL PINION & 4WD SHAFT SUB -----	80
FIG 405 INPUT METAL -----	82
FIG 406 P.T.O DRIVE SHAFT -----	84
FIG 407 MID P.T.O IDLE GEAR & MID P.T.O SUB -----	86
FIG 408 DIFF LOCK -----	88
FIG 409 REAR TRANSMISSION CASE -----	90
FIG 410 REAR AXLE HOUSING -----	92

FIG 411 RANGE SHIFT LEVER -----	94
FIG 412 P.T.O CHANGE LEVER -----	96
FIG 413 GEAR PUMP & PUMP IDLE GEAR SUB -----	98

5 FRONT AXLE

FIG 501 FRONT DRIVE SHAFT -----	104
FIG 502 FRONT DIFFERENTIAL GEAR -----	106
FIG 503 FRONT AXLE HOUSING -----	108
FIG 504 FRONT GEAR CASE (1) -----	110
FIG 505 FRONT GEAR CASE (2) -----	112

6 HYDRAULICS & 3-POINT LINK

FIG 601 CYLINDER CASE -----	118
FIG 602 LIFT ARM -----	120
FIG 603 FLOW CONTROL VALVE -----	122
FIG 604 MAIN CONTROL VALVE -----	124
FIG 605 HYDRAULIC SUB -----	126
FIG 606 HITCH & 3-POINT LINKAGE -----	128
FIG 607 MID MOWER-----	130

7 SHEET METAL & R.O.P.S

FIG 701 BONNET -----	134
FIG 702 FLOOR -----	136
FIG 703 SEAT -----	138
FIG 704 ROPS -----	140
FIG 705 LEVER COVER & FENDER -----	142
FIG 706 REARVIEW MIRRORS -----	000
FIG 707 FRONT GLASS -----	000
FIG 708 DOOR-LH -----	000
FIG 709 DOOR-RH -----	000
FIG 710 REAR GLASS -----	000

FIG 711 ROOF	-----	000
FIG 712 WORKING LAMP & FENDER COVER	-----	000
FIG 713 HEATER SUB	-----	000
FIG 714 CABIN HARN	-----	000
FIG 715 REAR WIPER KIT(OPTION)	-----	000

8 ELECTRICALS & HARNESS

FIG 801 BATTERY MOUNTING	-----	148
FIG 802 INSTRUMENT PANEL	-----	150
FIG 803 HARNESS(1)	-----	152
FIG 804 HARNESS(2)	-----	154

9 LABEL, TOOLS

FIG 901 TOOL & ACCESSORY	-----	160
FIG 902 LABEL	-----	162
FIG 905 AUXILIARY VALVE KIT(OPTION)	-----	000

10 NUMERICAL INDEX

ENGINE	-----	167
CHASSIS	-----	170

ENGINE

1 ENGINE

FIG 101 CYLINDER BLOCK	-----	04
FIG 102 GEAR HOUSING	-----	06
FIG 103 MOUNTING FLANGE & OIL SUMP	-----	08
FIG 104 CYLINDER HEAD & BONNET	-----	10
FIG 105 EXHAUST MANIFOLD	-----	12
FIG 106 CAMSHAFT & DRIVING GEAR	-----	14
FIG 107 CRANKSHAFT & PISTON	-----	16
FIG 108 LUB. OIL SYSTEM	-----	18
FIG 109 COOLING WATER SYSTEM	-----	20
FIG 110 FUEL INJECTION PUMP	-----	22
FIG 111 GOVERNOR	-----	24
FIG 112 FUEL INJECTION VALVE	-----	26
FIG 113 FUEL PIPE	-----	28
FIG 114 STARTING MOTOR	-----	30
FIG 115 GENERATOR	-----	32
FIG 116 ACCESSORY	-----	34

CHASSIS

2 ENGINE ACCESSORIES & CONTROL

FIG 201 AIR CLEANER	-----	40
FIG 202 RADIATOR	-----	42
FIG 203 MUFFLER	-----	44
FIG 204 FUEL TANK & FUEL LINE	-----	46
FIG 205 ACCELERATOR	-----	48
FIG 206 FUEL FILTER	-----	50
FIG 207 ENGINE MOUNTING	-----	52

3 BRAKE,STEERING

FIG 302 BRAKE PEDAL & LINKAGE	58
FIG 303 SPEED CONTROL	60
FIG 304 DASH COVER	62
FIG 305 STEERING VALVE	64
FIG 306 STEERING CYLINDER	66
FIG 307 TIRE	68

4 TRANSMISSION & REAR AXLE

FIG 401 INPUT SHAFT -----	74
FIG 402 HST -----	76
FIG 403 PTO CLUTCH SUB& RANGE GEAR SUB -----	78
FIG 404 SPIRAL BEVEL PINION & 4WD SHAFT SUB -----	80
FIG 405 INPUT METAL -----	82
FIG 406 P.T.O DRIVE SHAFT -----	84
FIG 407 MID P.T.O IDLE GEAR & MID P.T.O SUB -----	86
FIG 408 DIFF LOCK -----	88
FIG 409 REAR TRANSMISSION CASE -----	90
FIG 410 REAR AXLE HOUSING -----	92
FIG 411 RANGE SHIFT LEVER -----	94
FIG 412 P.T.O CHANGE LEVER -----	96
FIG 413 GEAR PUMP & PUMP IDLE GEAR SUB -----	98

5 FRONT AXLE

FIG 501 FRONT DRIVE SHAFT -----	104
FIG 502 FRONT DIFFERENTIAL GEAR -----	106
FIG 503 FRONT AXLE HOUSING -----	108
FIG 504 FRONT GEAR CASE (1) -----	110
FIG 505 FRONT GEAR CASE (2) -----	112

6 HYDRAULICS & 3-POINT LINK

FIG 601 CYLINDER CASE	-----	118
FIG 602 LIFT ARM	-----	120
FIG 603 FLOW CONTROL VALVE	-----	122
FIG 604 MAIN CONTROL VALVE	-----	124
FIG 605 HYDRAULIC SUB	-----	126
FIG 606 HITCH & 3-POINT LINKAGE	-----	128
FIG 607 MID MOWER	-----	130

FIG 701 BONNET	-----	134
FIG 702 FLOOR	-----	136
FIG 703 SEAT	-----	138
FIG 704 ROPS	-----	140
FIG 705 LEVER COVER & FENDER	-----	142
FIG 706 REARVIEW MIRRORS	-----	000
FIG 707 FRONT GLASS	-----	000
FIG 708 DOOR-LH	-----	000
FIG 709 DOOR-RH	-----	000
FIG 710 REAR GLASS	-----	000
FIG 711 ROOF	-----	000
FIG 712 WORKING LAMP & FENDER COVER	-----	000
FIG 713 HEATER SUB	-----	000
FIG 714 CABIN HARN	-----	000
FIG 715 REAR WIPER KIT(OPTION)	-----	000

8 ELECTRICALS & HARNESS

FIG 801 BATTERY MOUNTING	-----	148
FIG 802 INSTRUMENT PANEL	-----	150
FIG 803 HARNESS(1)	-----	152
FIG 804 HARNESS(2)	-----	154

9 WEIGHT,LABEL,TOOLS

FIG 901 TOOL & ACCESSORY -----160
FIG 902 LABEL -----162
FIG 905 AUXILIARY VALVE KIT(OPTION) -----000

10 NUMERICAL INDEX

ENGINE	-----	167
CHASSIS	-----	170

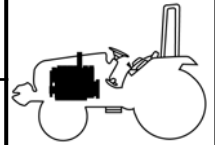
FIG 101

CYLINDER BLOCK

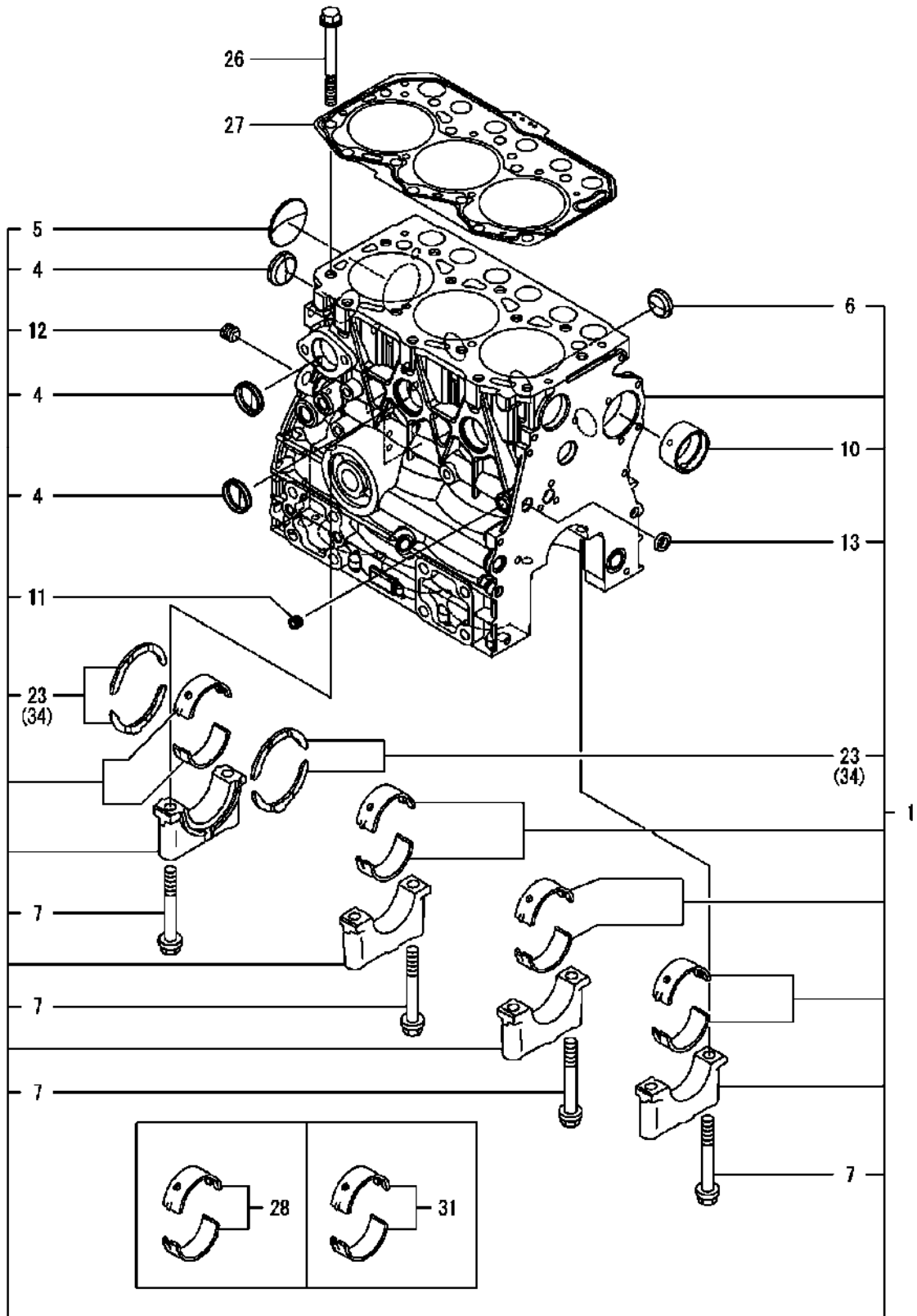
P1

Year

2019



Dako 19H



NOTE

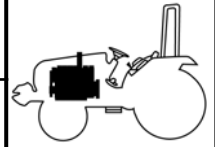
FIG 102

GEAR HOUSING

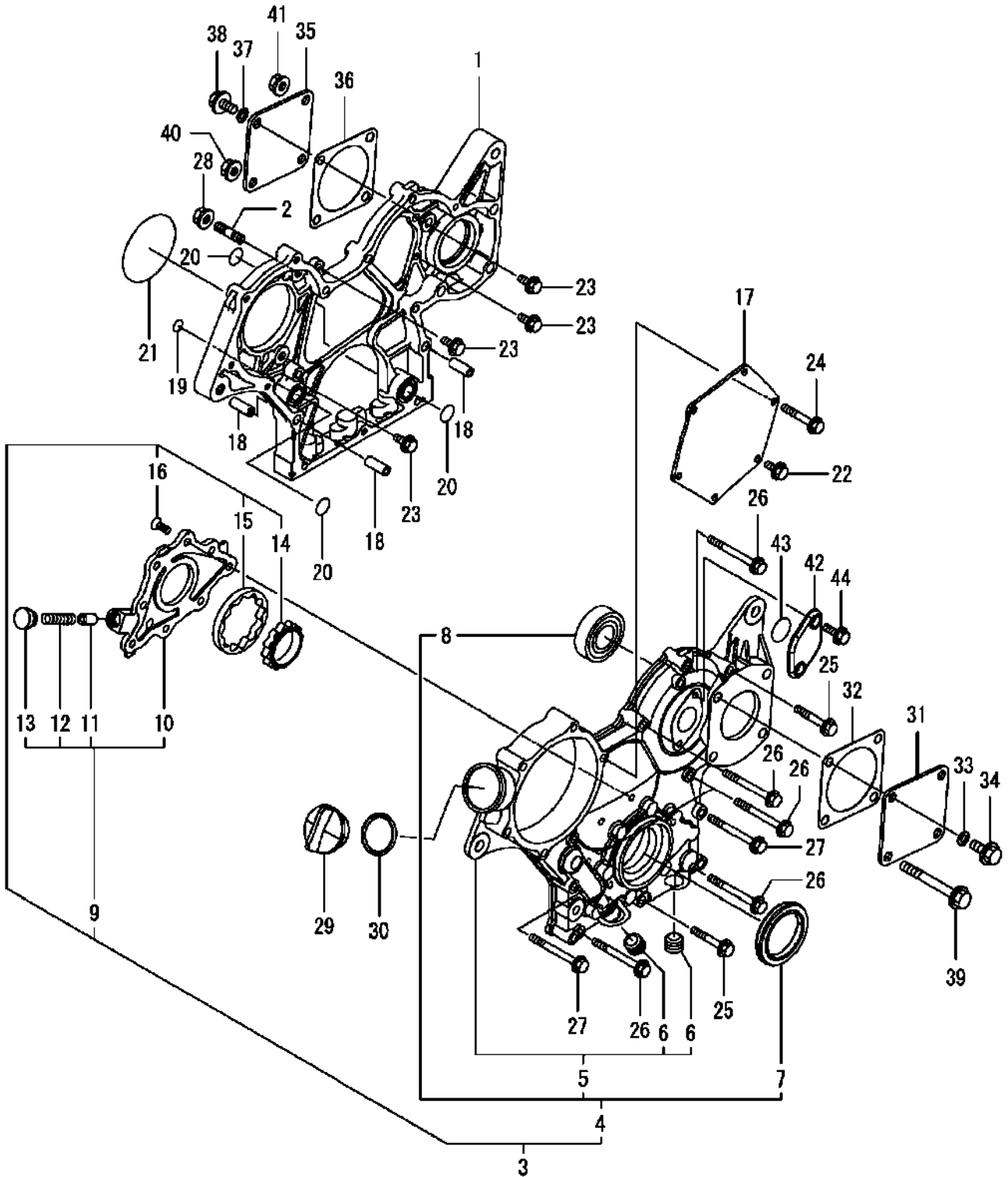
P1

Year

2019



Dako 19H



NOTE

KEY NO.		PART NO.		DESCRIPTION		SPEC.		QTY.		REPAIR	Year	REMARKS
								T194	EFFECTIVE DATE		2019	
FIG 102		GEAR HOUSING						P1				
102	1	119740-01501	CASE, GEAR					1				
102	2	119717-01570	STUD					3				
102	3	119751-01590	COVER ASSY, CASE					1				
102	4	719751-01500	COVER ASSY, CASE					1				
102	5	119751-01521	COVER, GEAR CASE					1				
102	6	23876-030000	PLUG, R03					2				
102	7	119717-01800	SEAL, OIL					1				
102	8	24101-062024	BEARING, BALL 6202					1				
102	9	119717-32100	COVER ASSY, PUMP					1				
102	10	119717-32080	COVER, OIL PUMP					1				
102	11	129900-32130	VALVE, RELIEF					1				
102	12	129001-32320	SPRING					1				
102	13	129001-32330	PLUG					1				
102	14	119717-32110	ROTOR, INNER					1				
102	15	119717-32120	ROTOR, OUTER					1				
102	16	119802-32130	SCREW, M6X16					8				
102	17	119717-01750	COVER, PUMP					1				
102	18	119660-01911	PIPE, KNOCK 6X17					4				
102	19	119624-32040	O-RING, P12.0					1				
102	20	119717-32050	O-RING, P17.0					3				
102	21	121850-51960	O-RING, FUEL PUMP					1				
102	22	26106-060122	BOLT, M6X 12 PLATED					1				
102	23	26106-060162	BOLT, M6X 16 PLATED					4				
102	24	26106-060402	BOLT, M6X 40 PLATED					4				
102	25	26106-060402	BOLT, M6X 40 PLATED					2				
102	26	26106-060602	BOLT, M6X 60 PLATED					7				
102	27	26106-060652	BOLT, M6X 65 PLATED					2				
102	28	26306-080002	NUT, M8					3				
102	29	124160-01751	CAP, FILLER					1				
102	30	24311-000320	O-RING, 1AP32.0					1				
102	31	124240-01871	COVER, HYDRAULIC PUMP					1				
102	32	129C26-01890	GASKET, PUMP					1				
102	33	22190-080002	WASHER, SEAL 8					1				
102	34	26106-080122	BOLT, M8X 12 PLATED					1				
102	35	124240-01871	COVER, HYDRAULIC PUMP					1				
102	36	129C26-01890	GASKET, PUMP					1				
102	37	22190-080002	WASHER, SEAL 8					1				
102	38	26106-080142	BOLT, M8X 14 PLATED					1				
102	39	26106-080702	BOLT, M8X 70 PLATED					3				
102	40	26306-080002	NUT, M8					1				
102	41	26306-080002	NUT, M8					2				
102	42	121023-01551	COVER, TACHOMETER					1				
102	43	24341-000240	O-RING, 1AS24.0					1				
102	44	26106-060162	BOLT, M6X 16 PLATED					2				
NOTE												

FIG 103

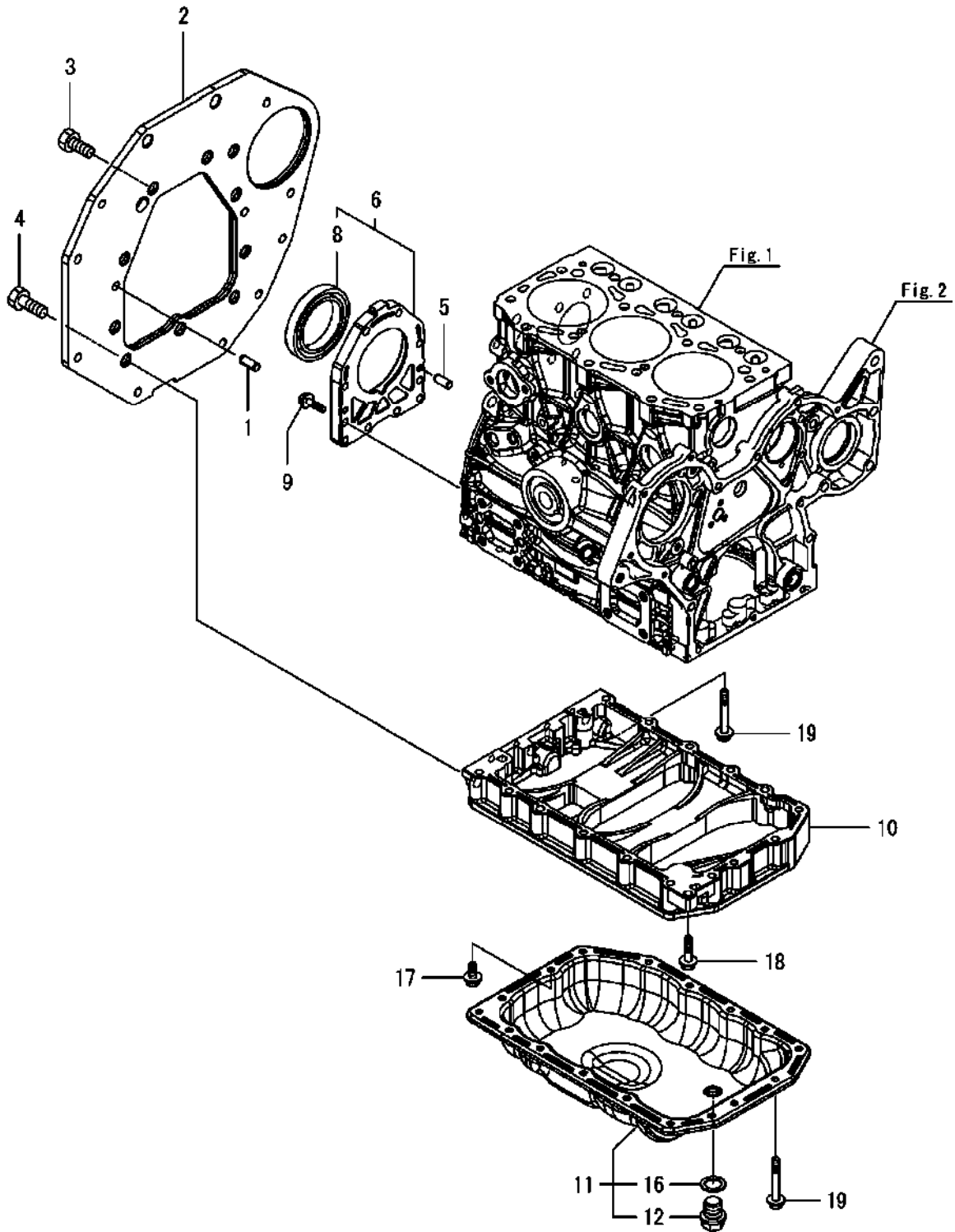
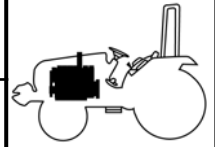
Dako 19H

MOUNTING FLANGE & OIL SUMP

P1

Year

2019



NOTE

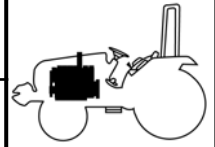
FIG 104

CYLINDER HEAD & BONNET

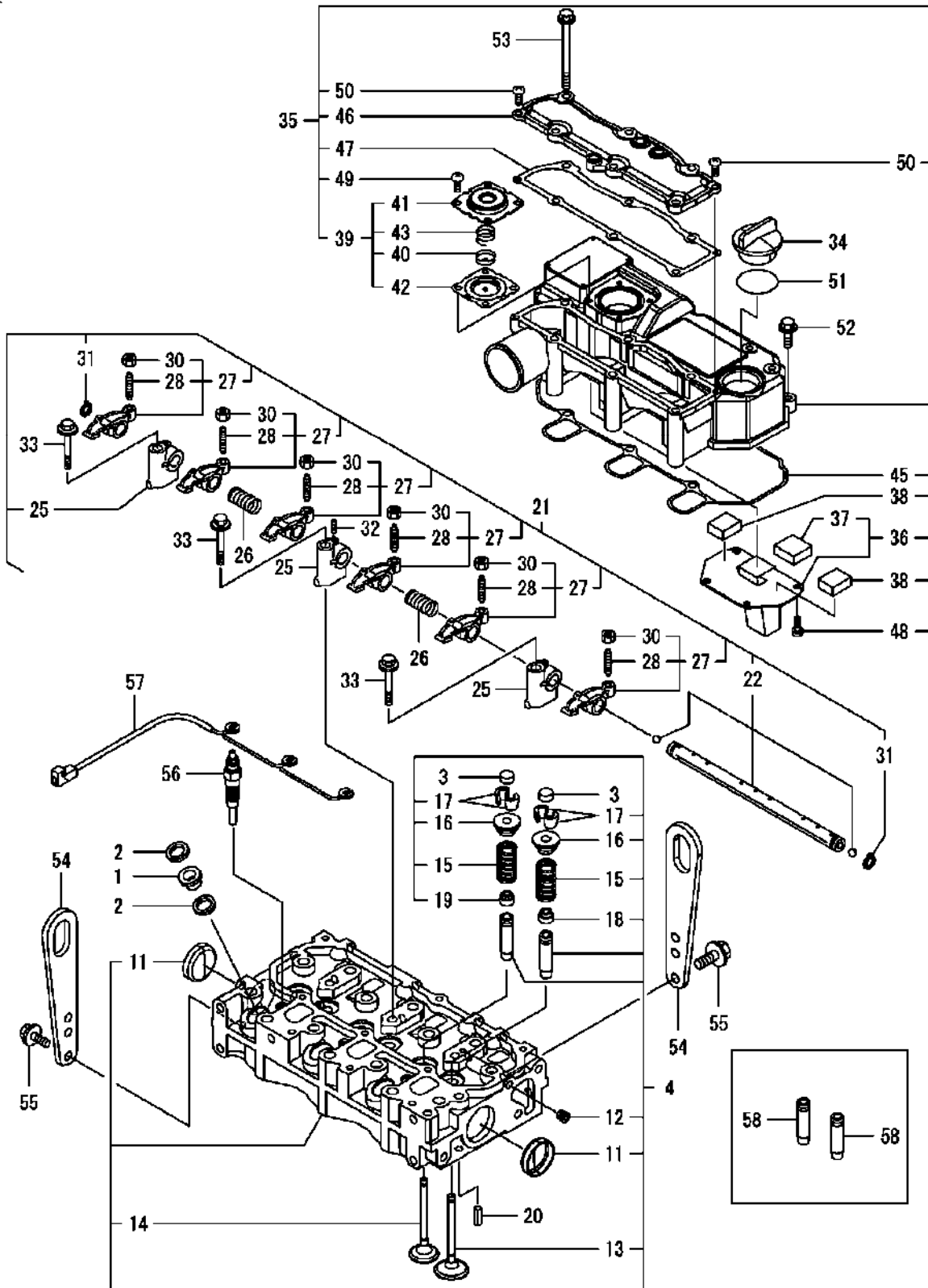
P1

Year

2019



Dako 19H



NOTE

KEY NO.		PART NO.	DESCRIPTION	SPEC.	QTY. T194	REPAIR	Year	REMARKS
							2019	
104		1	129901-11450	PROTECTOR, NOZZLE		3		
104		2	119600-11460	GASKET, NOZZLE		6		
104		3	105010-11490	CAP, VALVE		6		
104		4	119C10-11740	HEAD ASSY, CYLINDER		1		
104		11	119285-11990	PLUG, 35		2		
104		12	23876-005000	PLUG, R005		1		
104		13	119C10-11100	VALVE, INTAKE		3		
104		14	119C10-11110	VALVE, EXHAUST		3		
104		15	119717-11131	SPRING, VALVE		6		
104		16	129508-11180	RETAINER, SPRING		6		
104		17	119717-11190	COTTER, VALVE		12		
104		18	119717-11340	SEAL, VALVE STEM		3		
104		19	119717-11350	SEAL, VALVE STEM		3		
104		20	22351-060012	PIN, SPRING 6.0X12		2		
104		21	119515-11200	SUPPORT ASSY, ROCKER		1		
104		22	119515-11240	SHAFT ASSY, ARM		1		
104		25	119717-11260	SUPPORT, ROCKER ARM		3		
104		26	119515-11280	SPRING, SHAFT		2		
104		27	119717-11650	ARM ASSY, ROCKER INT		6		
104		28	129150-11230	SCREW, VALVE ADJUST		6		
104		30	129150-11750	NUT, M8XP1.0 6		6		
104		31	22242-000120	RING, 12		2		
104		32	26979-050162	SCREW, M5X16		1		
104		33	26106-080402	BOLT, M8X 40 PLATED		3		
104		34	124160-01751	CAP, FILLER		1		
104		35	119515-11380	BONNET ASSY, HEAD		1		
104		36	119717-03031	PLATE, BAFFLE		1		
104		37	119717-03070	BAFFLE, BREATHER		1		
104		38	119717-03070	BAFFLE, BREATHER		2		
104		39	119802-03100	DIAPHRAGM ASSY		1		
104		40	119802-03110	PLATE, DIAPHRAGM		1		
104		41	119802-03121	COVER, DIAPHRAGM		1		
104		42	119802-03131	DIAPHRAGM, BREATHER		1		
104		43	119802-03141	SPRING, DIAPHRAGM		1		
104		45	119515-11310	GASKET, BONNET		1		
104		46	119515-11320	COVER, BONNET		1		
104		47	119515-11330	GASKET, BONNET COVER		1		
104		48	22857-500100	SCREW, 5X10		4		
104		49	22857-500100	SCREW, 5X10		4		
104		50	22857-500160	SCREW, 5X16		2		
104		51	24311-000320	O-RING, 1AP32.0		1		
104		52	26106-060202	BOLT, M6X 20 PLATED		3		
104		53	26106-060752	BOLT, M6X 75 PLATED		6		
104		54	129900-07900	LIFTER, ENGINE		2		
104		55	26106-080162	BOLT, M8X 16 PLATED		4		
104		56	119717-77801	PLUG, GLOW		3		
104		57	119717-77820	CONNECTOR, GLOW PLUG		1		
104		58	119515-11800	GUIDE, VALVE		6		
NOTE								

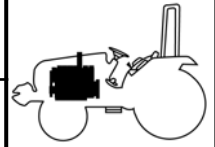
FIG 105

EXHAUST MANIFOLD

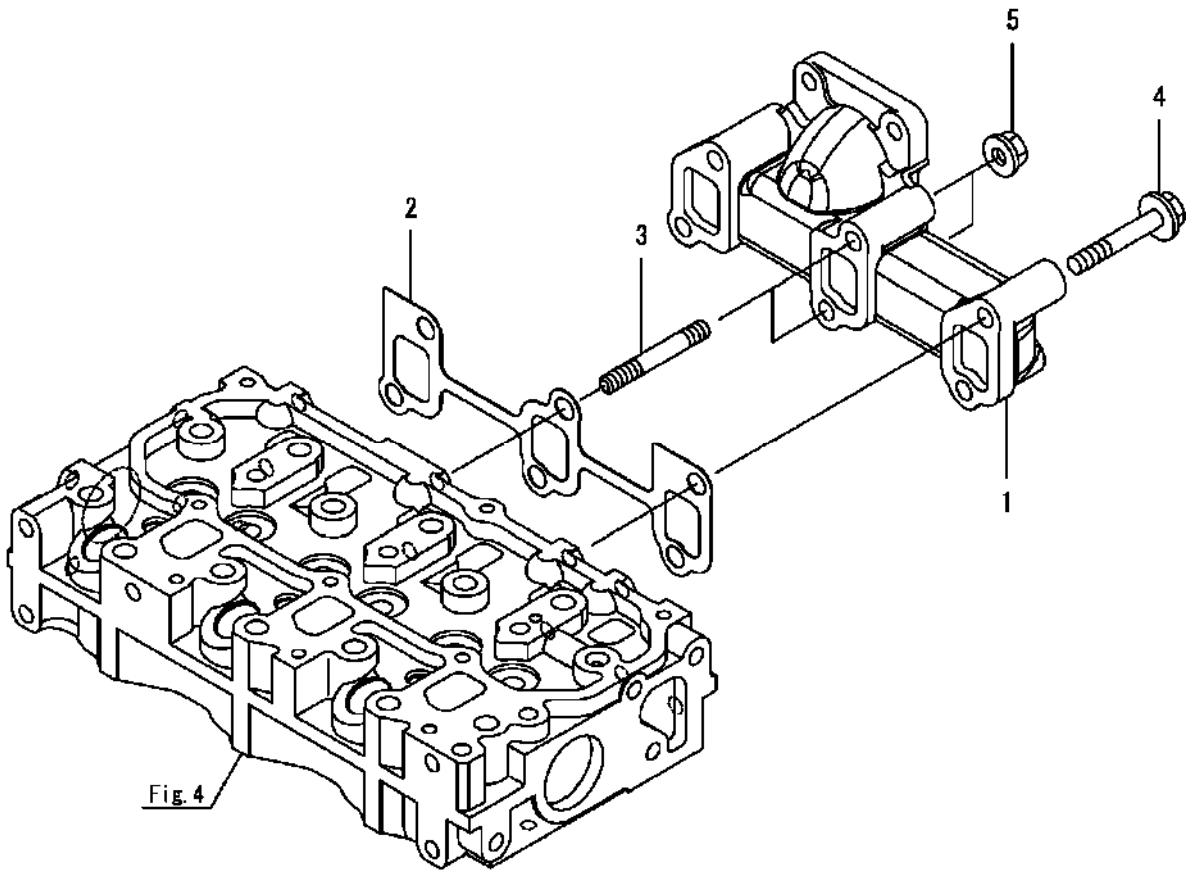
P1

Year

2019



Dako 19H



NOTE

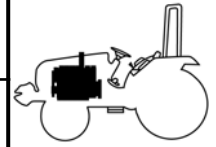
FIG 106

CAMSHAFT & DRIVING GEAR

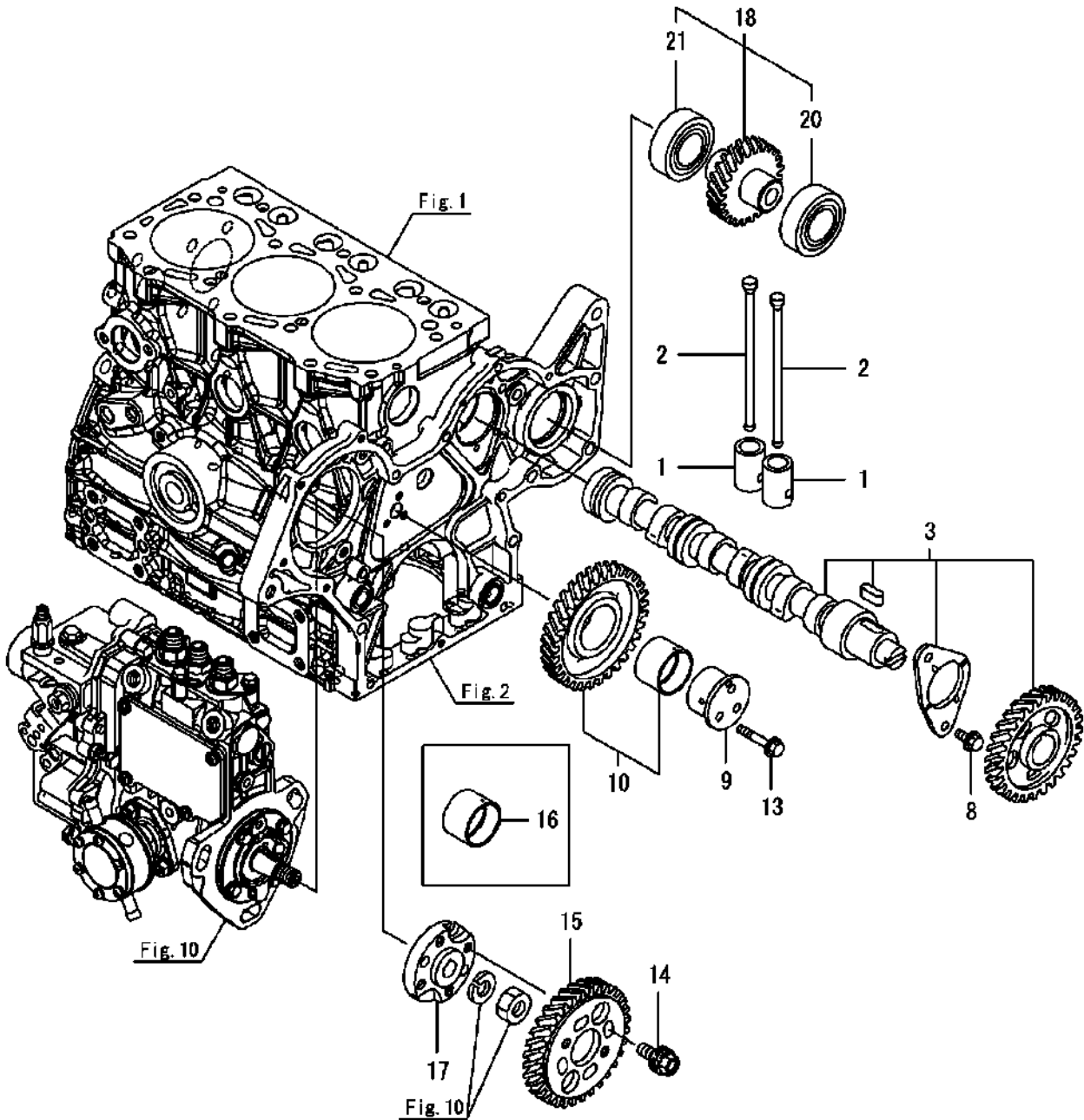
P1

Year

2019



Dako 19H



NOTE

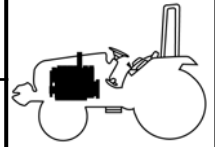
FIG 107

CRANKSHAFT & PISTON

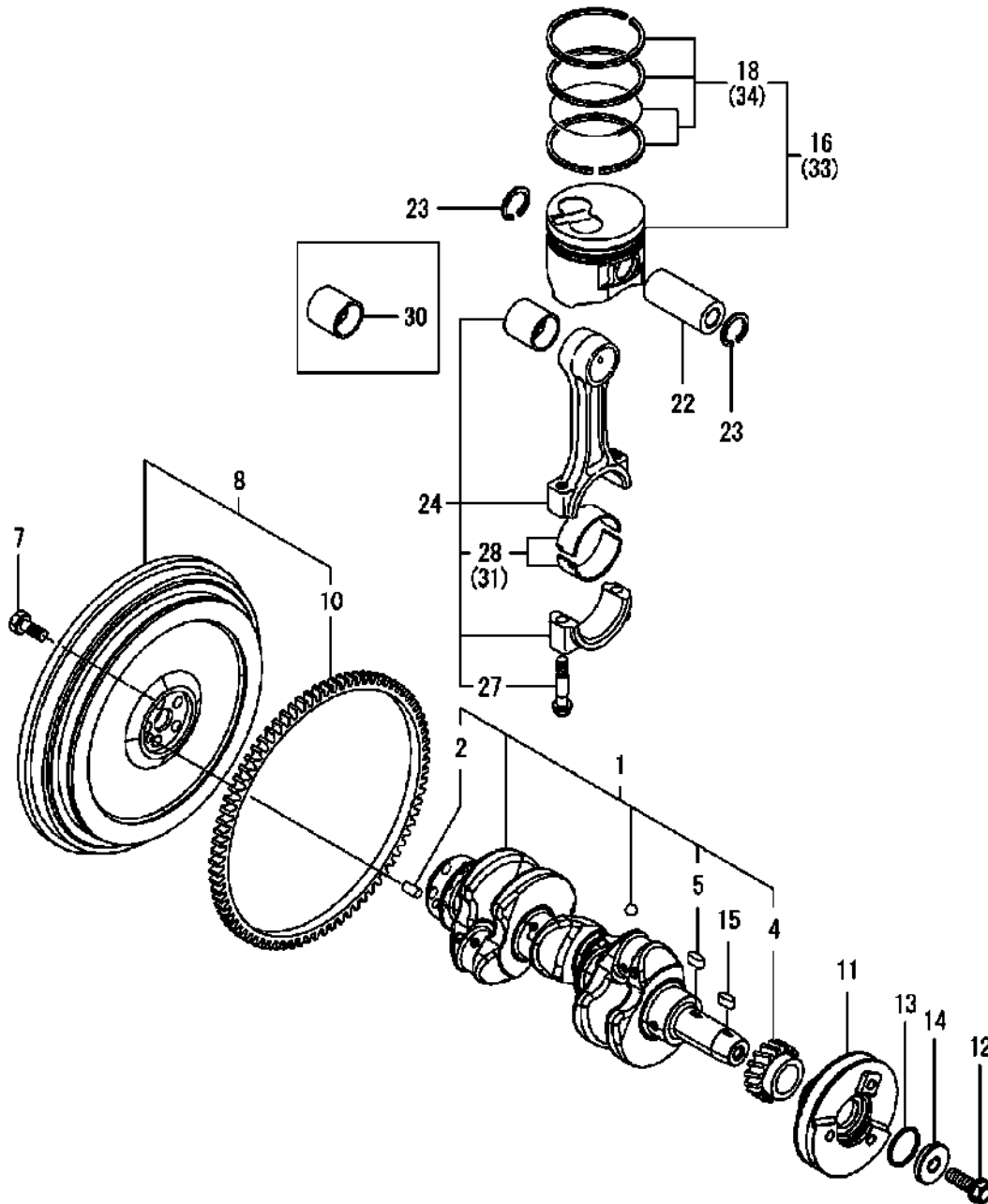
P1

Year

2019



Dako 19H



NOTE

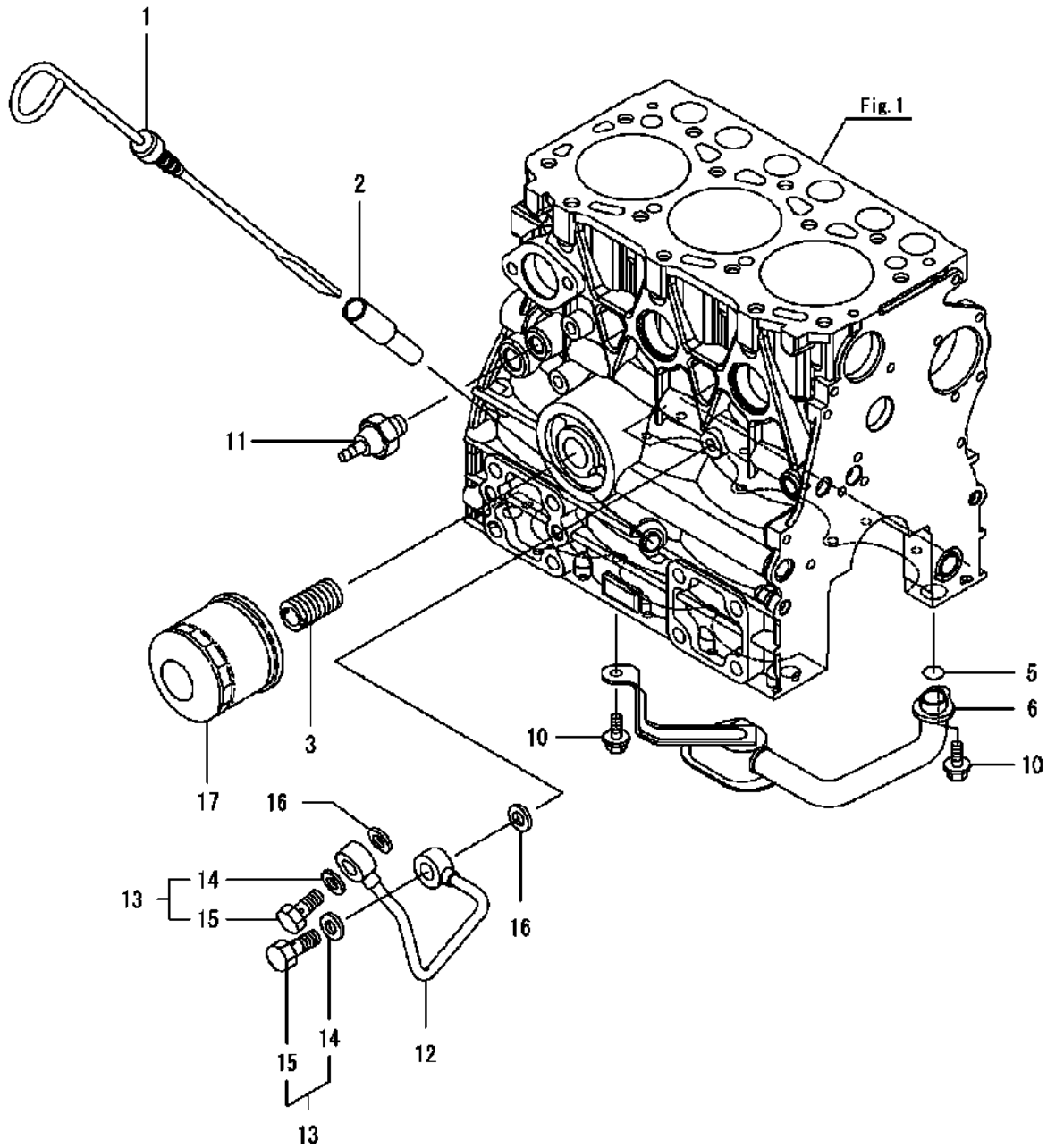
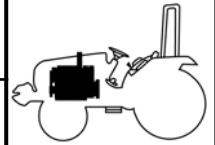
FIG 108

LUB. OIL SYSTEM

P1

Year

2019



NOTE

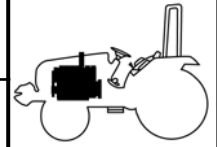
FIG 109

COOLING WATER SYSTEM

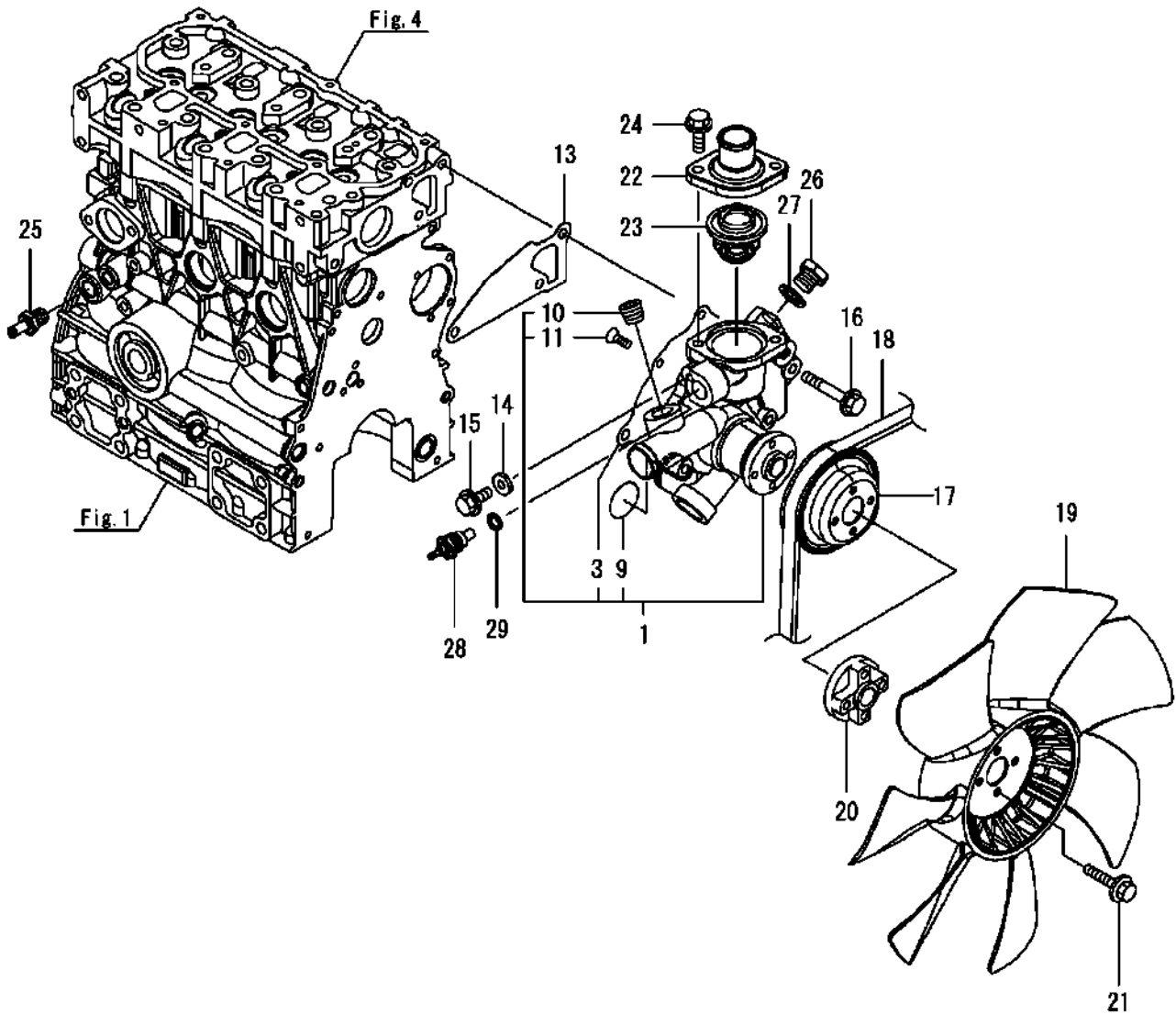
P1

Year

2019



Dako 19H



NOTE

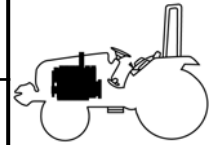
FIG 110

FUEL INJECTION PUMP

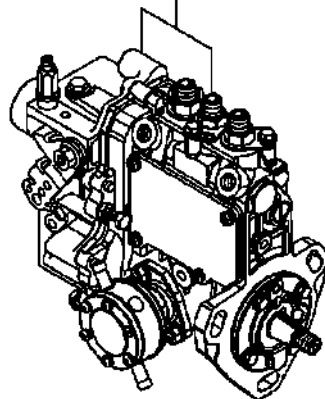
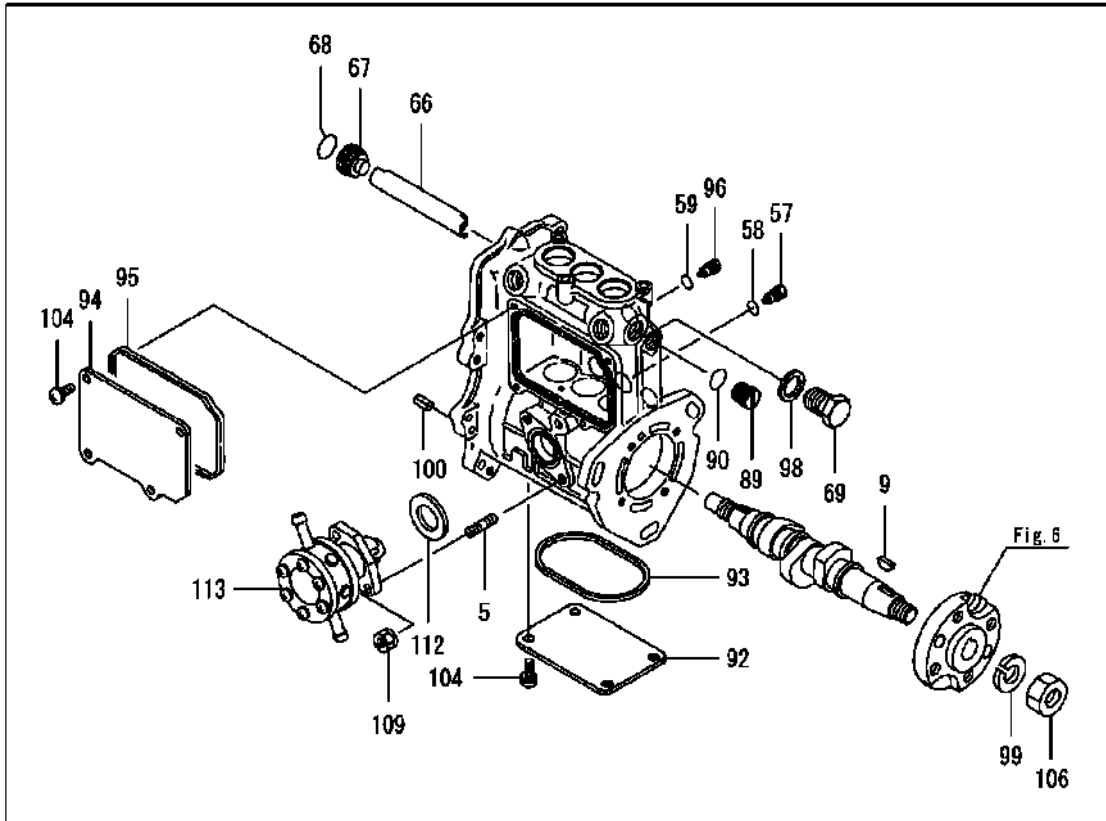
P1

Year

2019



Dako 19H



NOTE

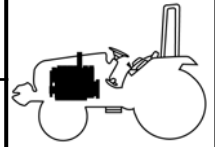
FIG 111

GOVERNOR

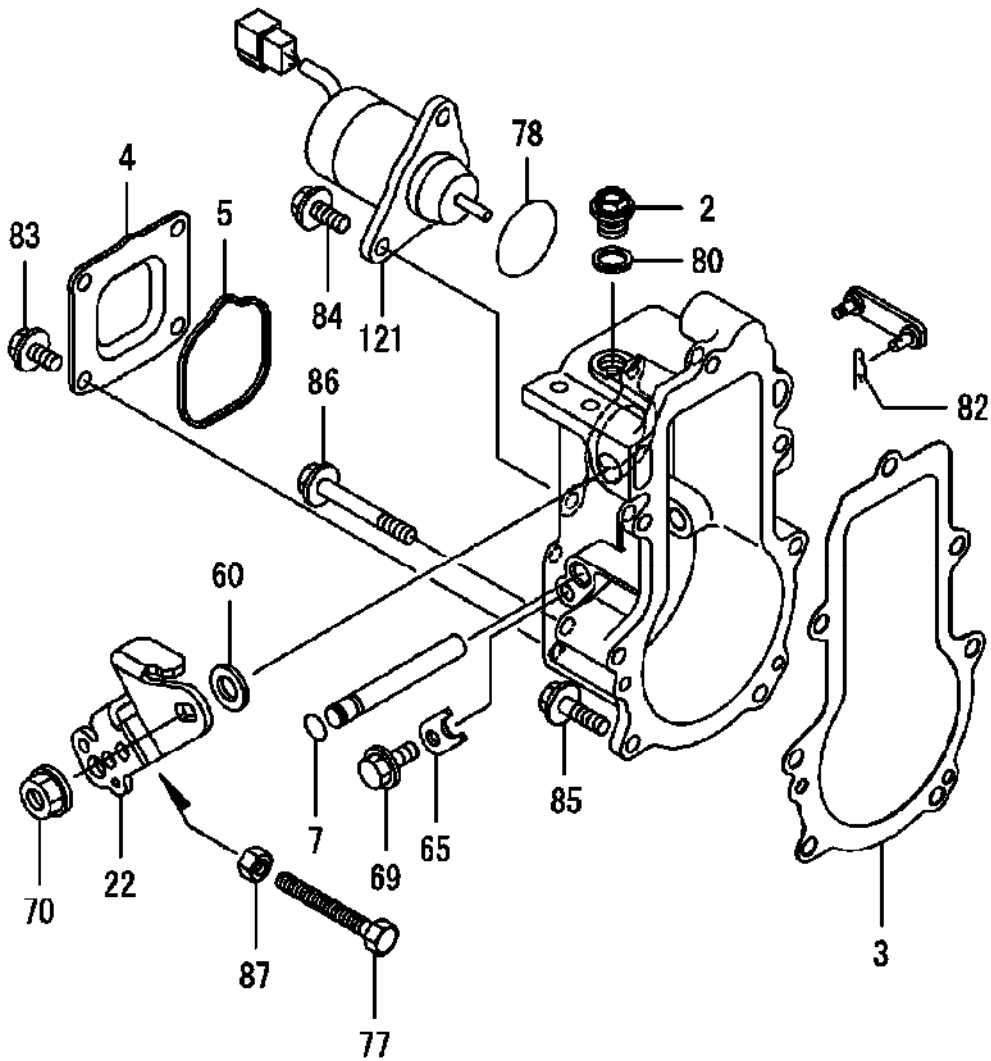
P1

Year

2019



Dako 19H



NOTE

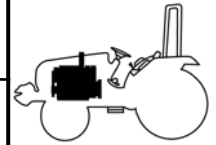
FIG 112

FUEL INJECTION VALVE

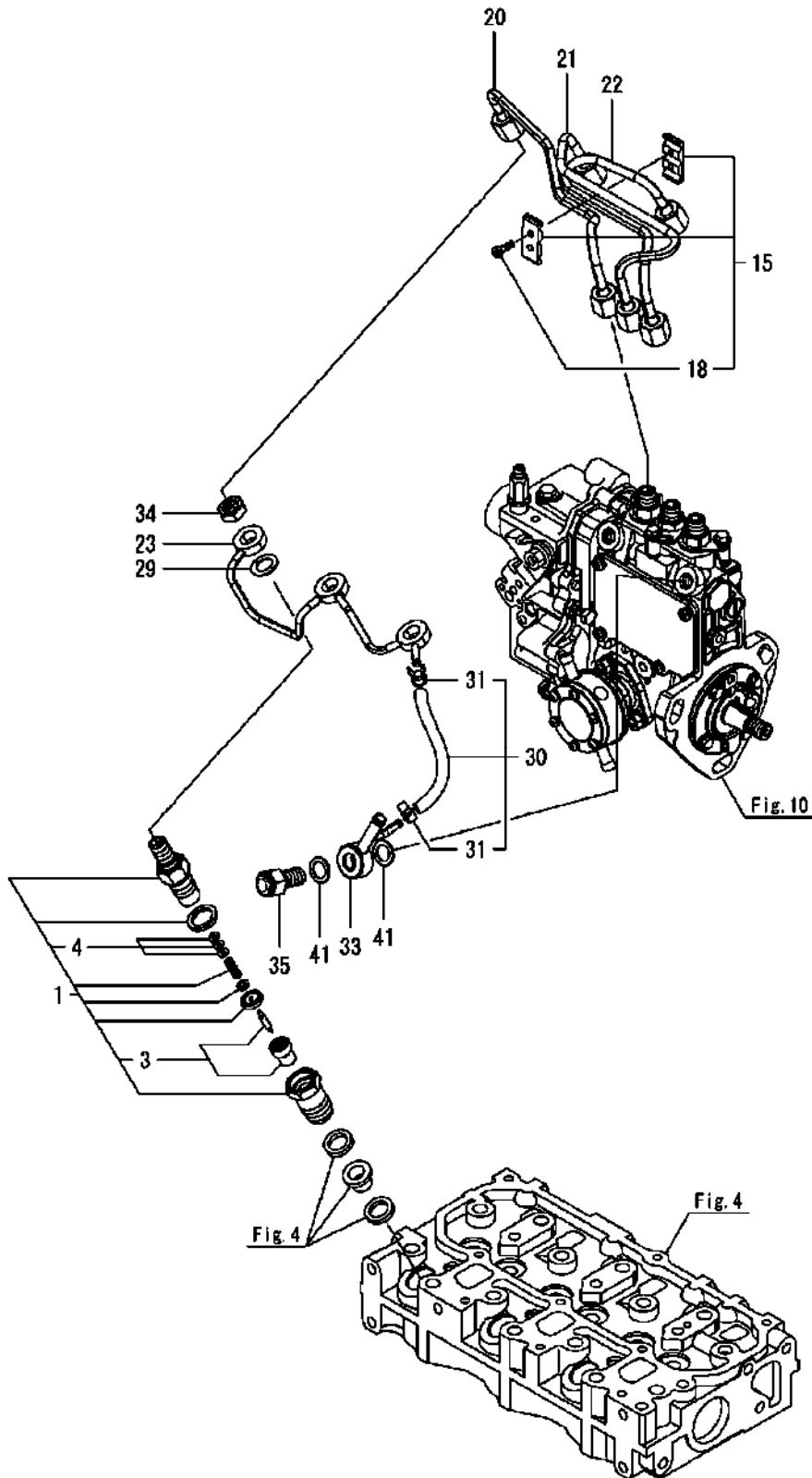
P1

Year

2019



Dako 19H



NOTE

FIG 113

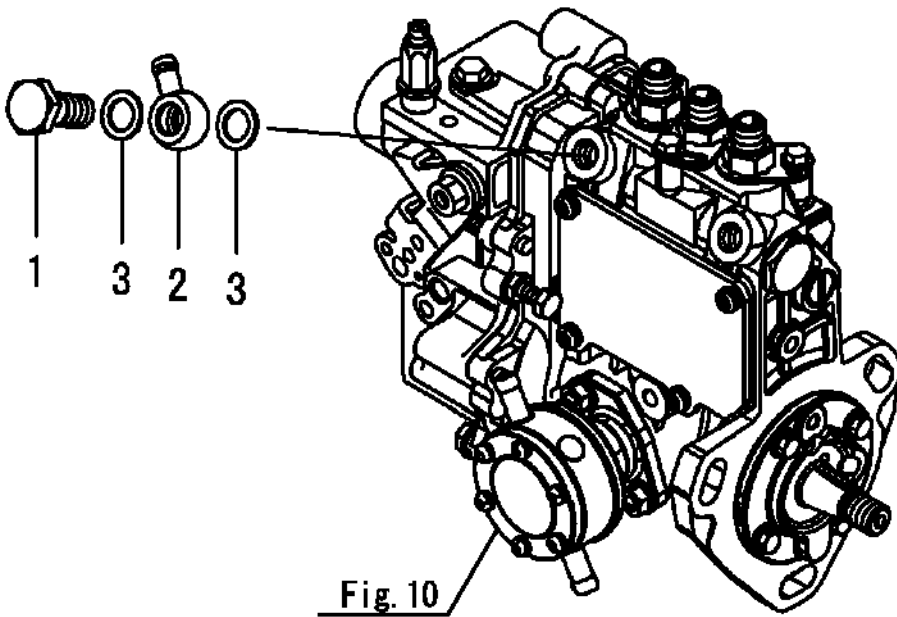
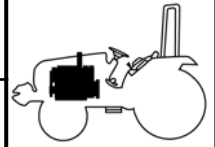
Dako 19H

FUEL PIPE

P1

Year

2019



NOTE

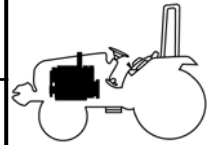
FIG 114

STARTING MOTOR

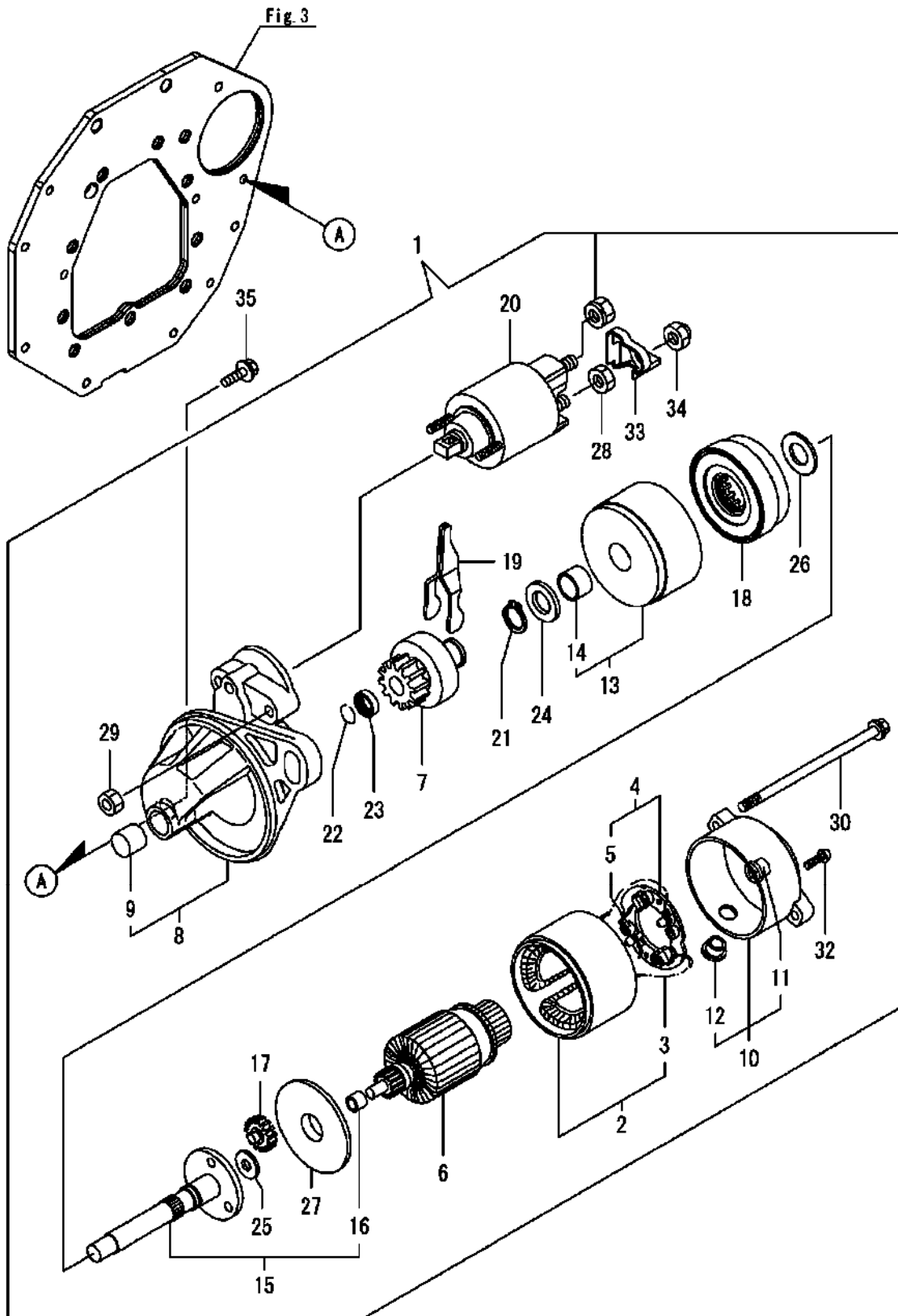
P1

Year

2019



Dako 19H



NOTE

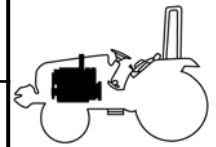
FIG 115

GENERATOR

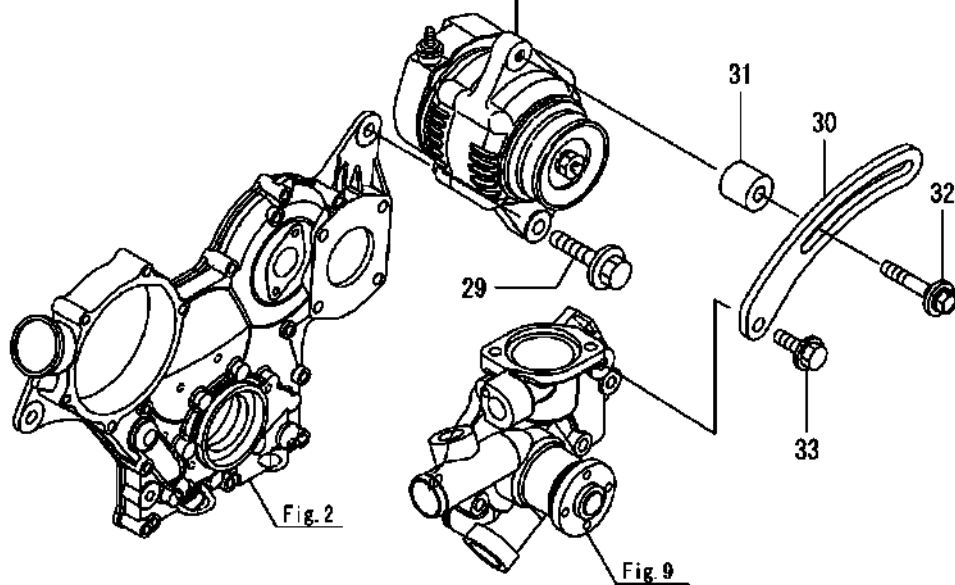
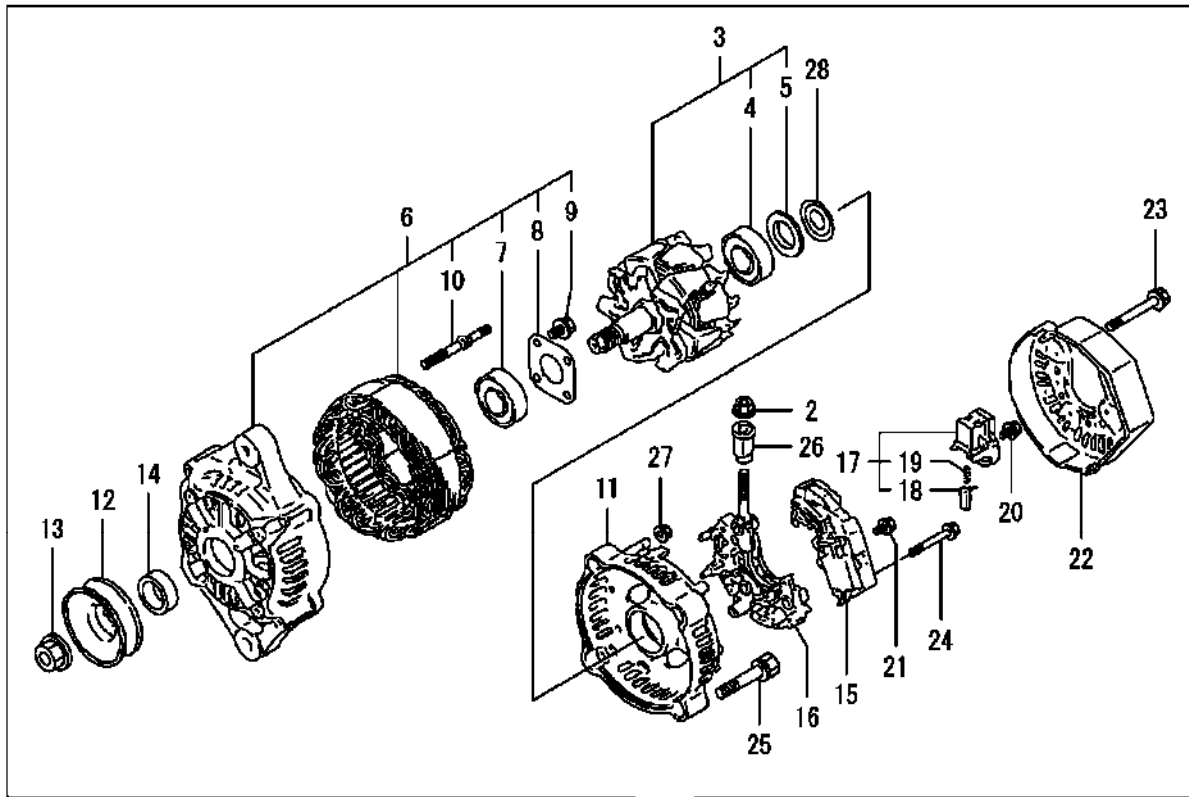
P1

Year

2019



Dako 19H



NOTE

FIG 116

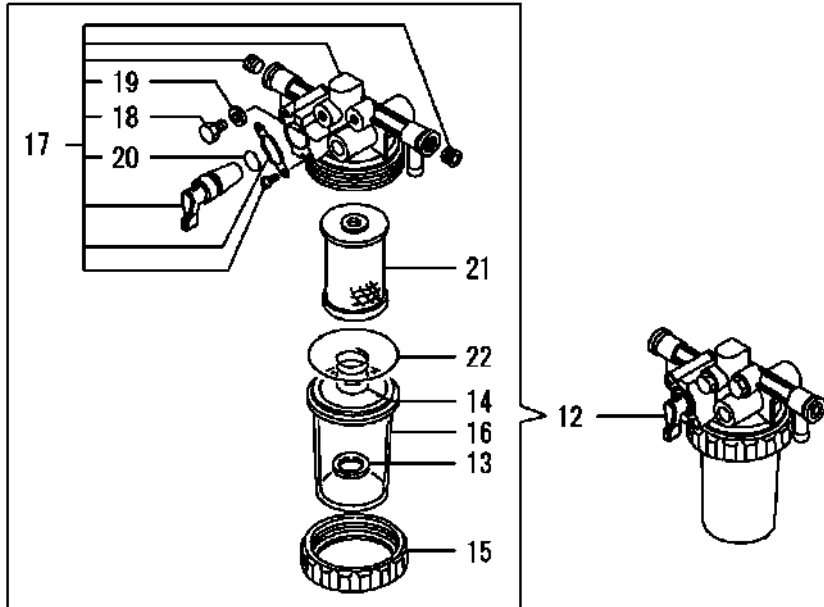
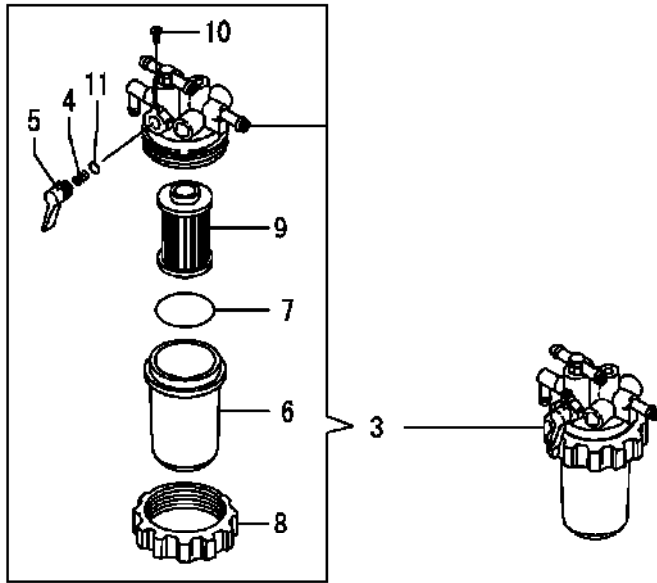
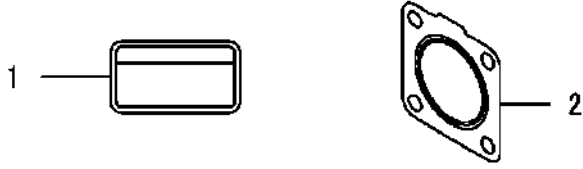
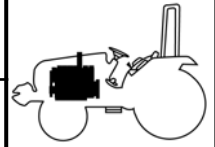
Dako 19H

ACCESSORY

P1

Year

2019



NOTE

FIG 117

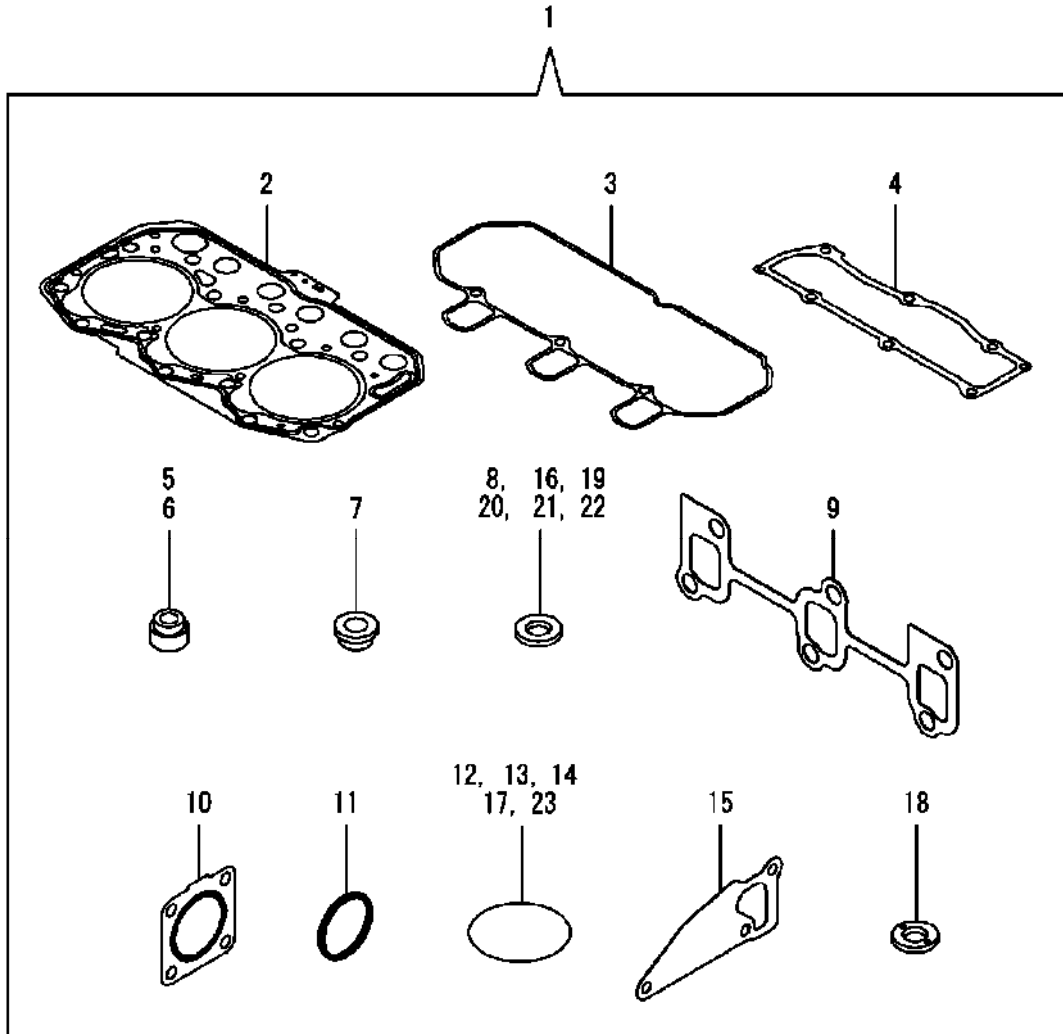
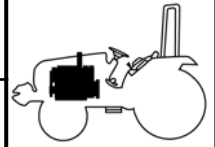
Dako 19H

GASKET SET

P1

Year

2019



NOTE

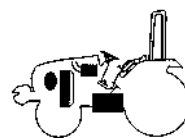
FIG 201

AIR CLEANER

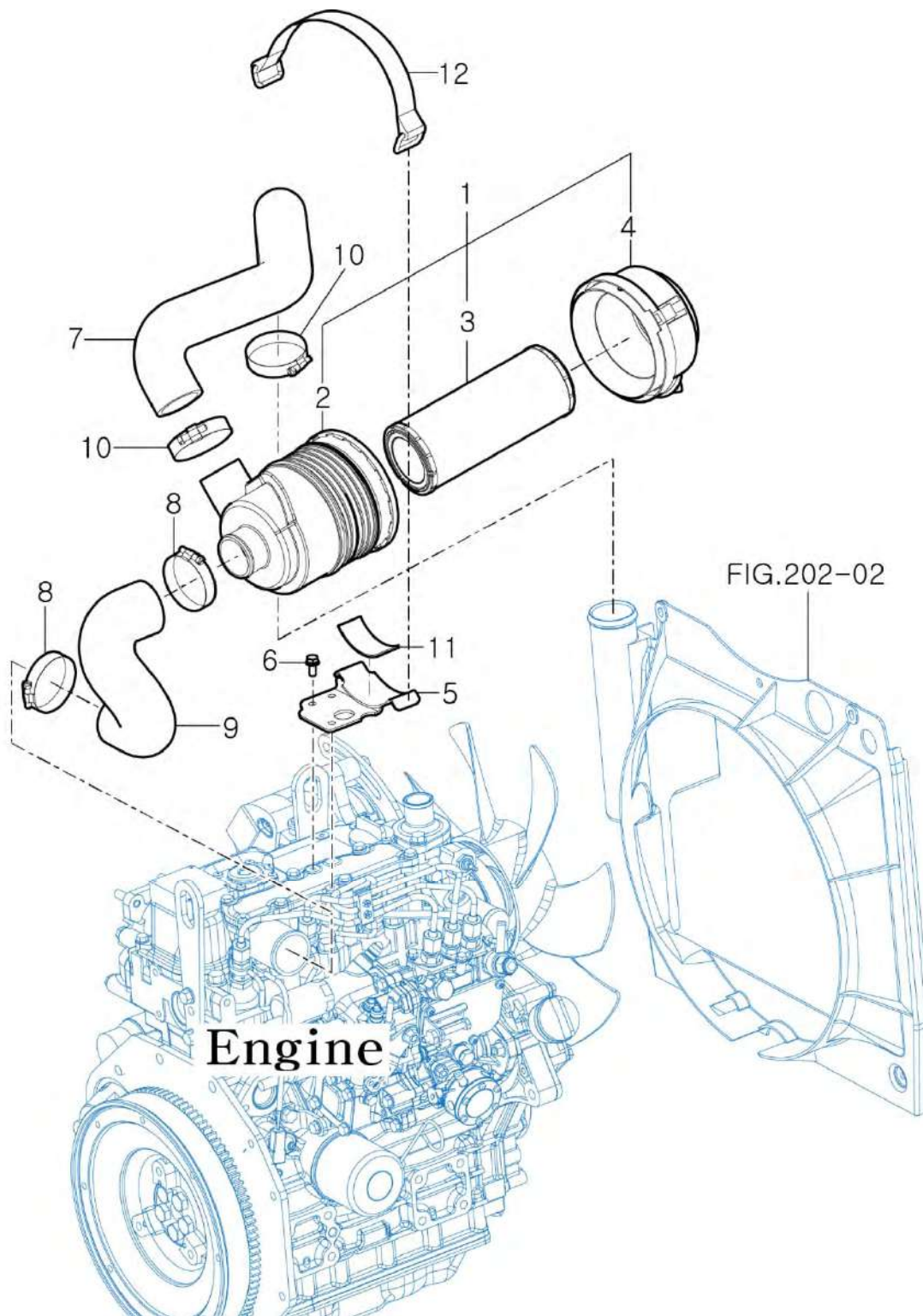
P1

YEAR

2017



Dako 19H



NOTE

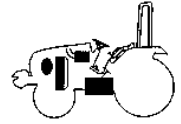
FIG 202

RADIATOR

P1

YEAR

2017



Dako 19H

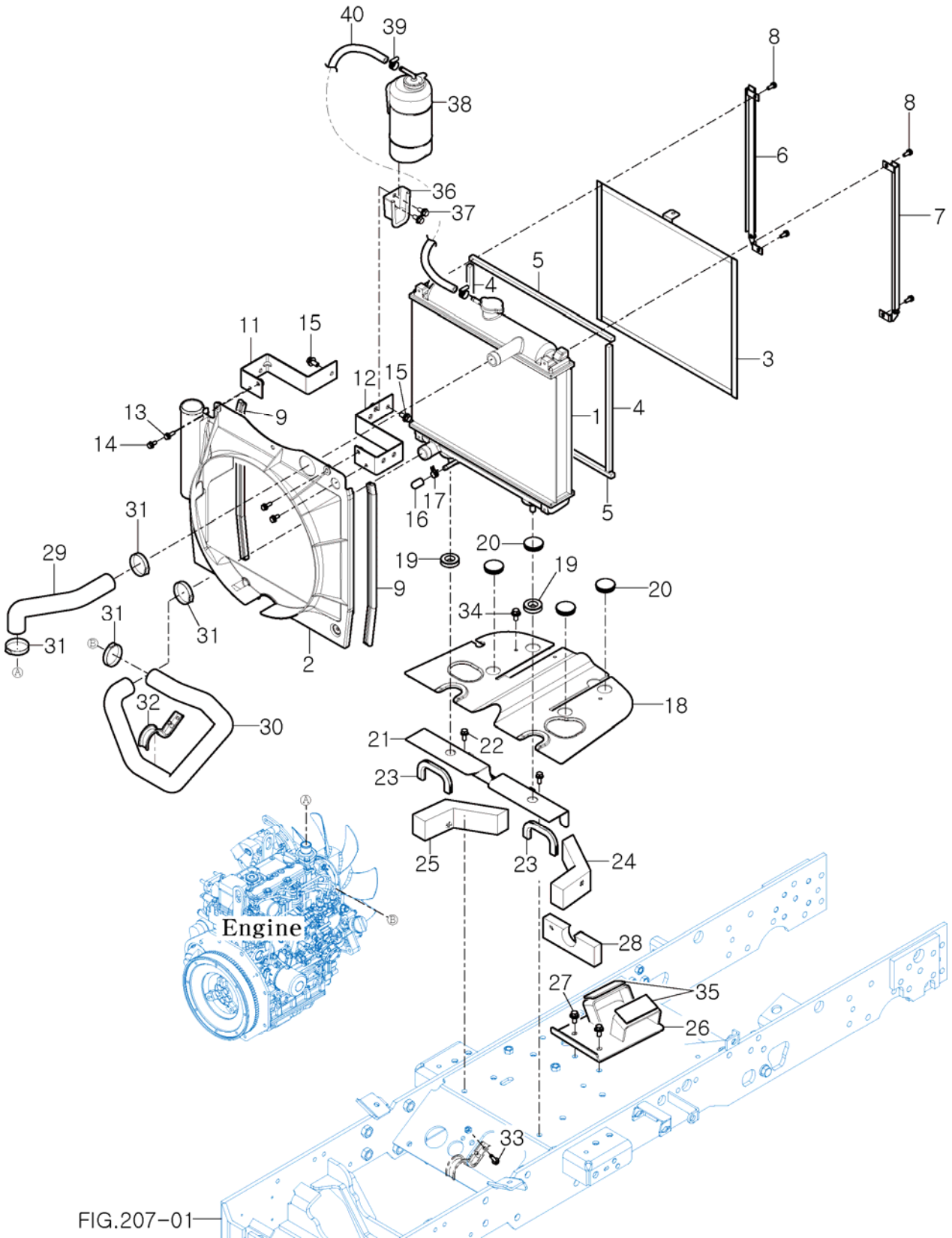


FIG.207-01

NOTE

FIG 203

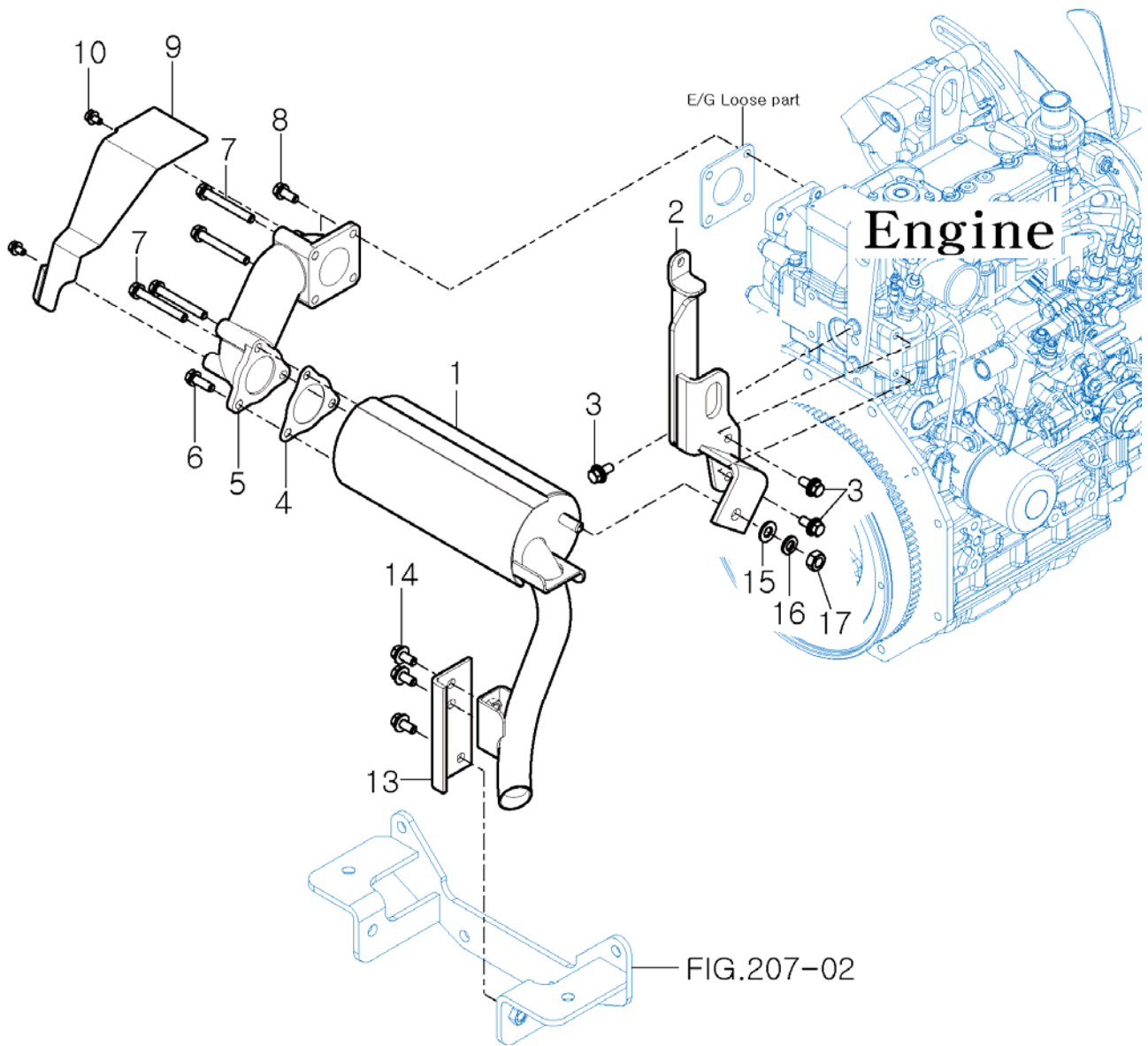
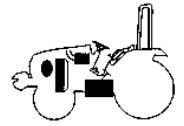
Dako 19H

MUFFLER

P1

YEAR

2017



NOTE

FIG 204

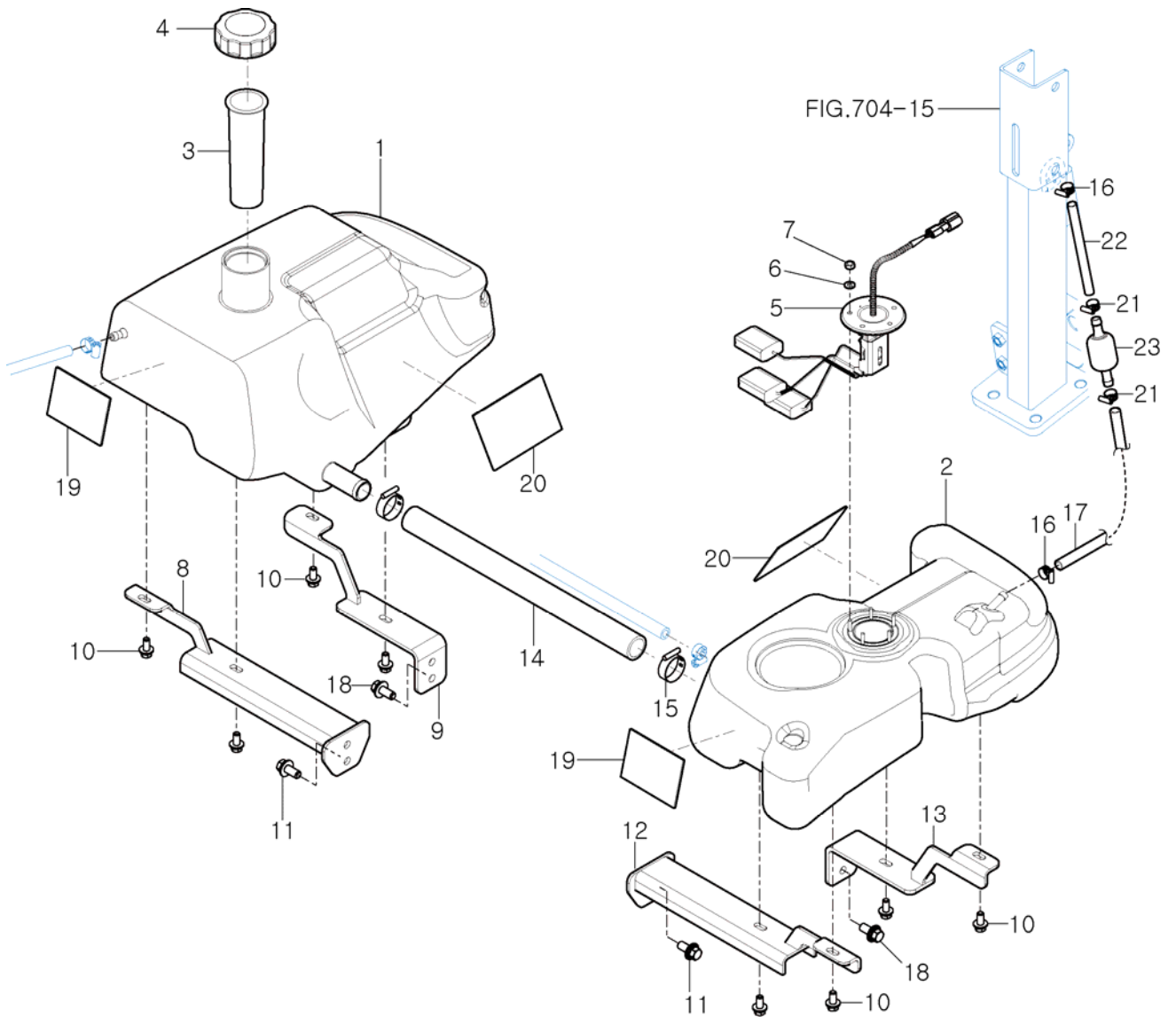
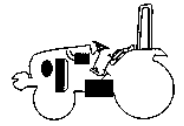
FUEL TANK & FUEL LINE

Dako 19H

P1

YEAR

2017



NOTE

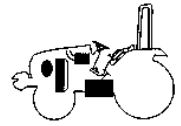
FIG 205

ACCELERATOR

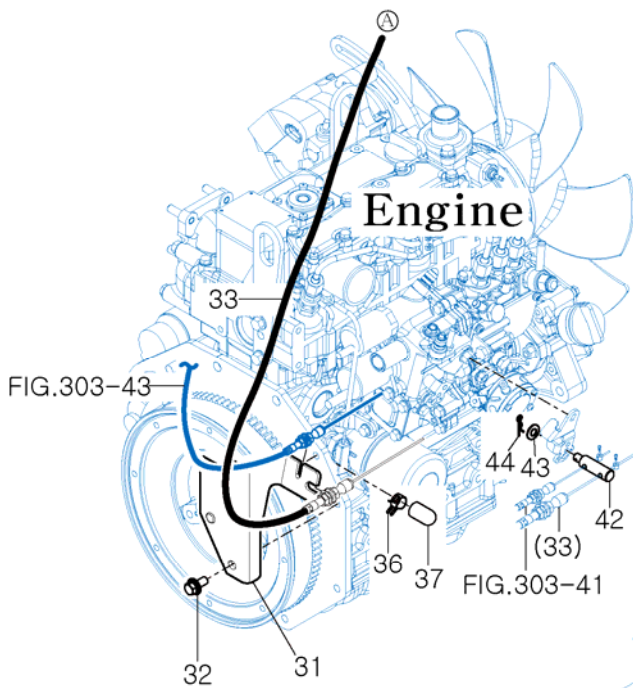
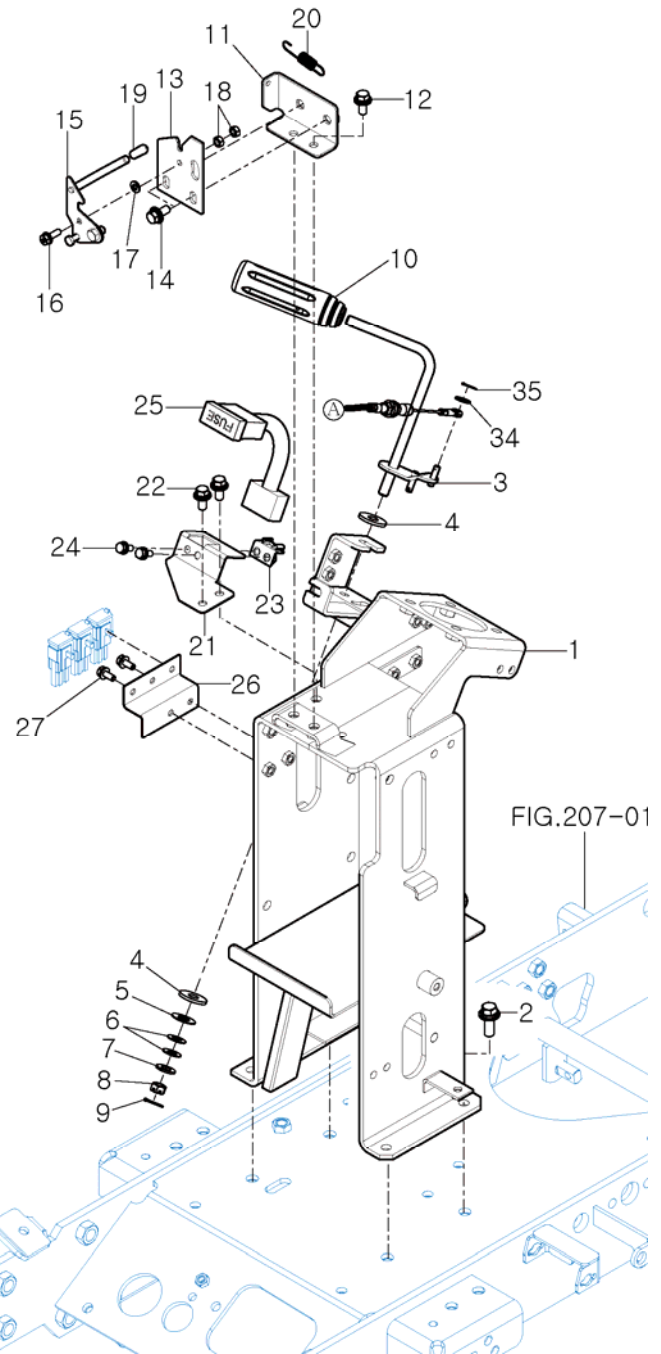
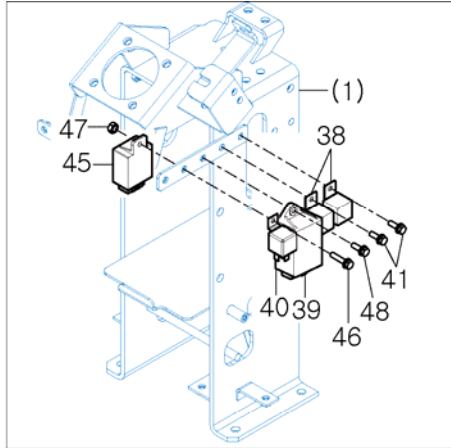
P2

YEAR

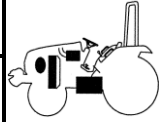
2017



Dako 19H



NOTE

FIG 205		ACCELERATOR			P1	YEAR	
						2017	
KEY NO.	PART NO.	DESCRIPTION	SPEC.	QTY.	REPAIR	EFFECTIVE DATE	REMARKS
205 001	11611811000GB	PANEL COMP, DASH		1			
205 002	V2183610025	BOLT , HEX/SP	M10X25	4			
205 003	11611812500GB	ACCELERATOR LEVER COMP		1			
205 004	15965120021	LINING , 11X30X03		2			
205 005	36104400180	WASHER		1			
205 006	14527060010	WASHER , JERBSI SPRING/10		2			
205 007	V4111600100	WASHER , PLAIN		1			
205 008	V3232600100	NUT , HEX SLOT & CASTLE	M10	1			
205 009	V5001920015	PIN , SPLIT		1			
205 010	17681170050	GRIP , REVERSE		1			
205 011	14136011300GB	HOOD COMP , LOCK G		1			
205 012	V2183608020	BOLT , HEX/SP	M8X20	2			
205 013	11616024210	STAY HOOD B		1			
205 014	V2183608020	BOLT , HEX/SP	M8X20	2			
205 015	11616024100	STAY COMP , HOOD A		1			
205 016	V2003606020	BOLT , HEX	M6X20	1			
205 017	V4111600060	WASHER , PLAIN	M6	1			
205 018	V3013600060	NUT .HEX NORMAL /2		2			
205 019	14445070030	GRIP , LEVER		1			
205 020	14143120020	SPRING , TENSION 53		1			
205 021	11611812300GB	FUSE BOX BKT		1			
205 022	V2183608020	BOLT , HEX/SP	M8X20	2			
205 023	18507024200	BRACKET COMP , FUSE BOX		1			
205 024	V2123606016	BOLT , HEX /SP	M6X16	2			
205 025	11616802500	FUSE BOX ASSY		1			
205 026	11611812400GB	FUSE PLATE		1			
205 027	V2123606016	BOLT , HEX /SP	M6X16	2			
205 029	119C10-77600	DRIVER , SOLENOID		1			
205 030	V2123606020	BOLT , HEX /SP	M6X20	2			
205 031	11611611100GB	ACCEL WIRE HOLDER		1		~2017.09.31	
205 031	10501611100GB	ACCEL WIRE HOLDER		1		2017.10.01~	
205 032	V2183610020	BOLT , HEX/SP	M10X20	1			
205 033	11611812600	ACCEL. CABLE ASSY		1		~2017.09.31	
205 033	10501812600	ACCEL. CABLE ASSY		1		2017.10.01~	
205 034	V4111600060	WASHER , PLAIN	M6	1			
205 035	V5001920020	PIN , SPLIT		1			
205 036	36423600080	CLIP , HOSE D=12.5		1			
205 037	12651040300	CAP , RADIATOR		1			
205 038	14946212901	RELAY 5P		2		~2018.07.30	
205 038	11616212900	RELAY 5P		2		2018.08.01~	
205 039	15606642401	FLASHER UNIT		1		~2019.06.14	
205 039	11466642400	FLASHER ASSY		1		2019.06.15~	
205 040	17686641110	RELAY , PREHEAT		1			
205 041	V2123606016	BOLT , HEX /SP	M6X16	3		~2019.06.14	
205 041	V2123606016	BOLT , HEX /SP	M6X16	2		2019.06.15~	
205 042	15601160083	PIN , 06X16		1		~2017.09.31	
205 042	11111162411	PIN , ACELERATOR		1		2017.10.01~	
205 043	V4111600060	WASHER , PLAIN	M6	1			
205 044	V5001920015	PIN , SPLIT		1		~2017.09.31	
205 044	V5601600008	PIN , SNAP	8	1		2017.10.01~	
205 045	20115300010	RELAY ASSY , TWIN		1			
205 046	V2123606025	BOLT , HEX /SP	M6X25	1			
205 047	V3012600060	NUT , HEX/2		1			
205 048	V2193606020	BOLT , HEX/SPL	M6X20	1		2019.06.15~	

NOTE

FIG 206

Dako 19H

FUEL FILTER

P1

YEAR

2017

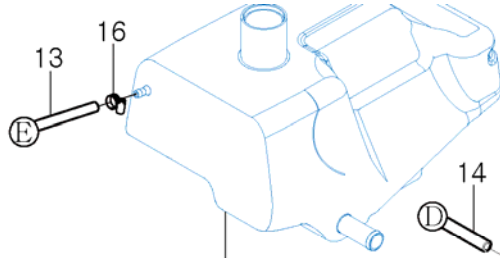
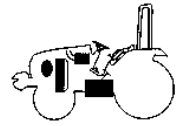


FIG.204-01

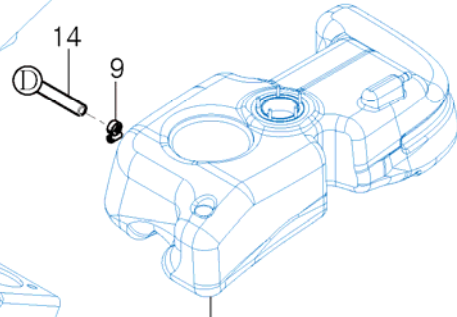


FIG.204-02

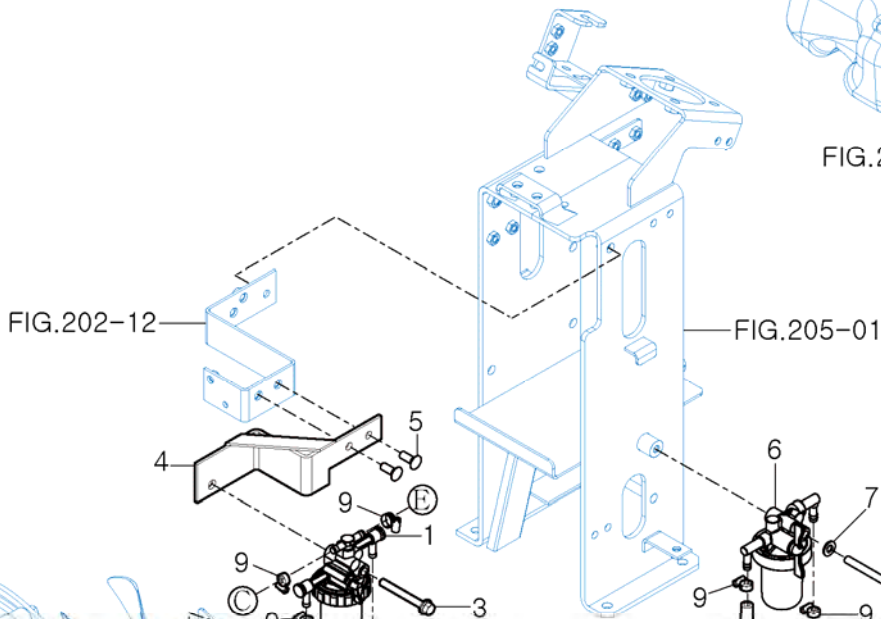
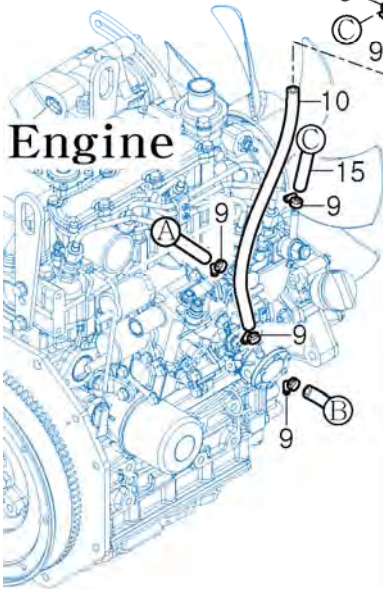
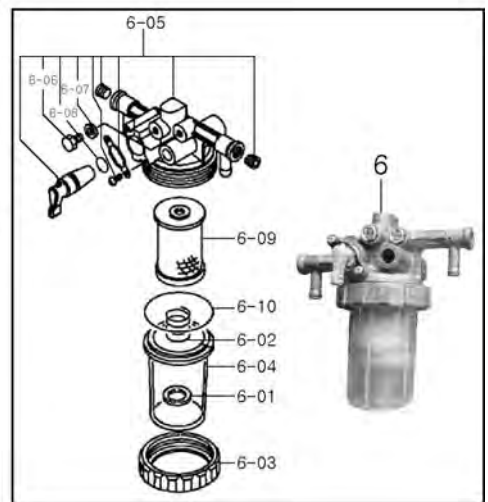
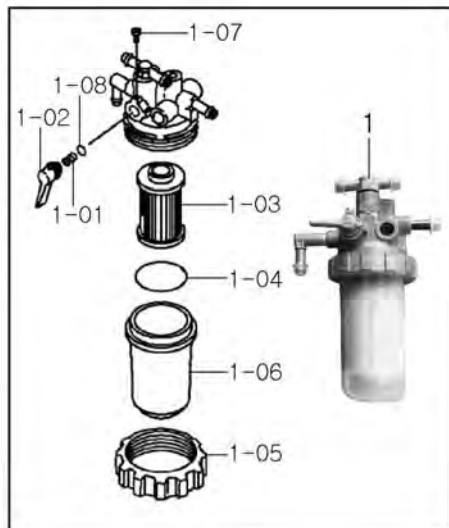


FIG.202-12

FIG.205-01



Engine



NOTE

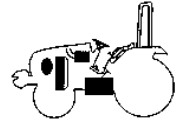
FIG 207

ENGINE MOUNTING

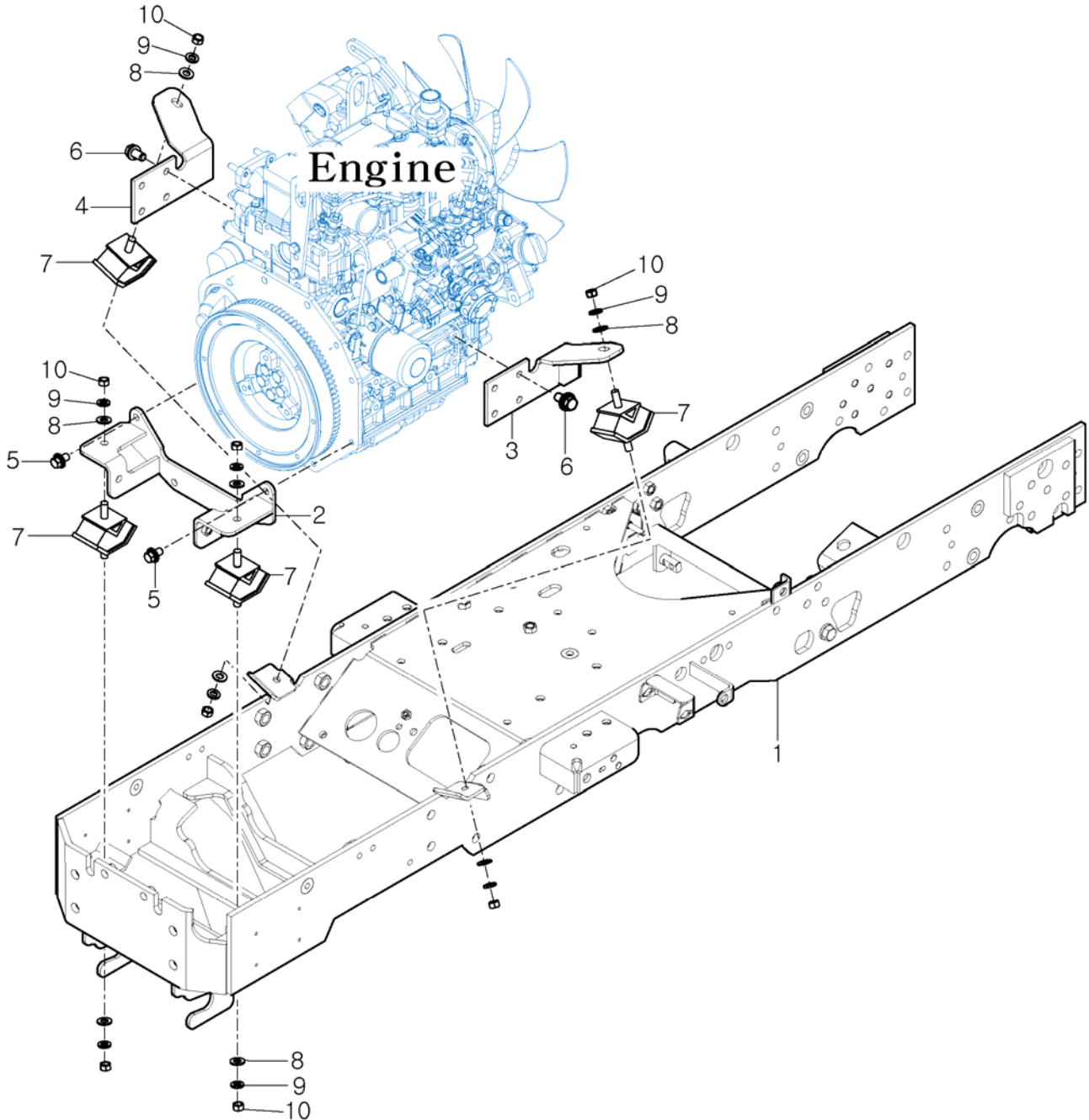
P1

YEAR

2017



Dako 19H



NOTE

FIG 302

BRAKE PEDAL & LINKAGE

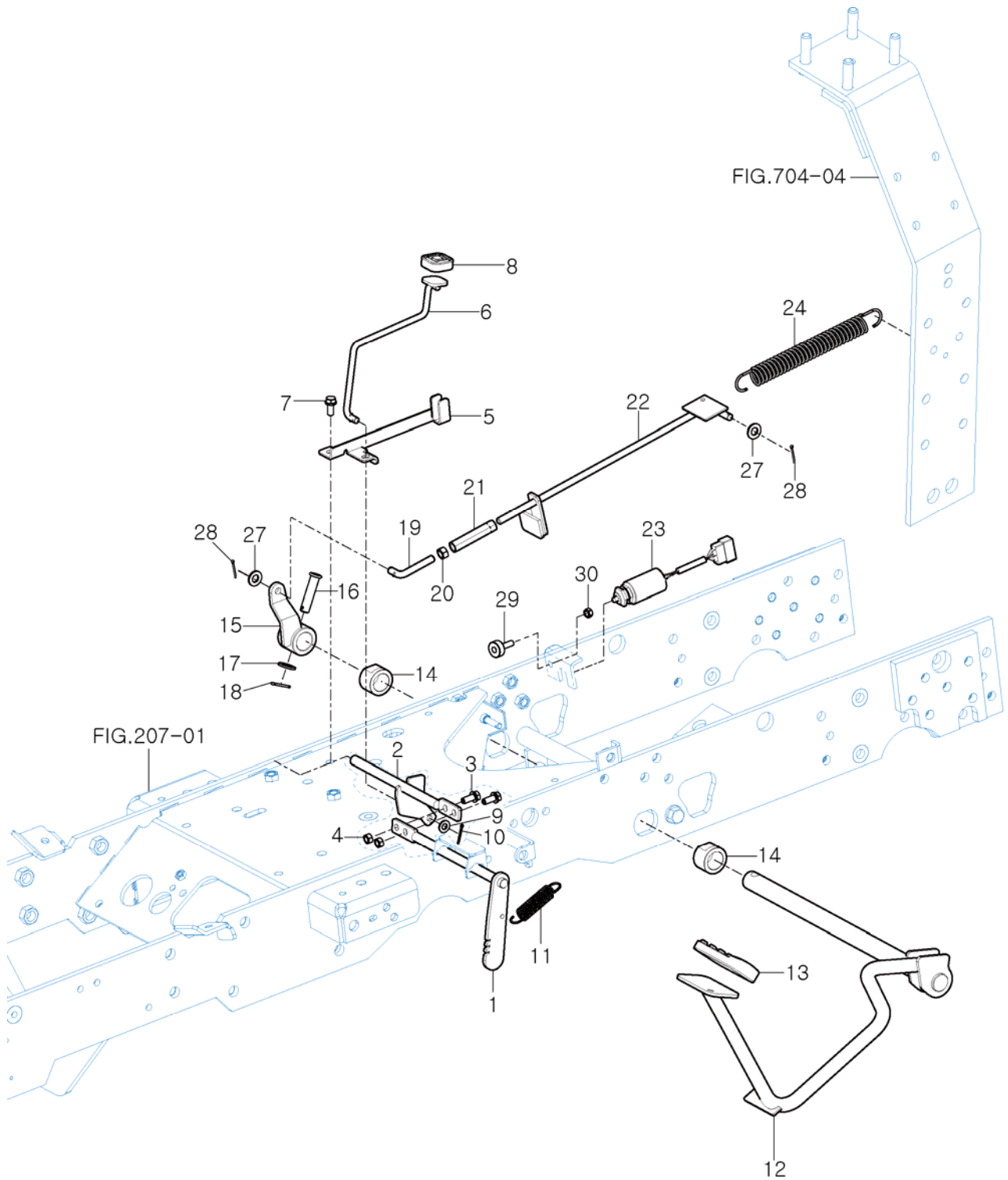
P1

YEAR

2017



Dako 19H



NOTE

FIG 303

SPEED CONTROL

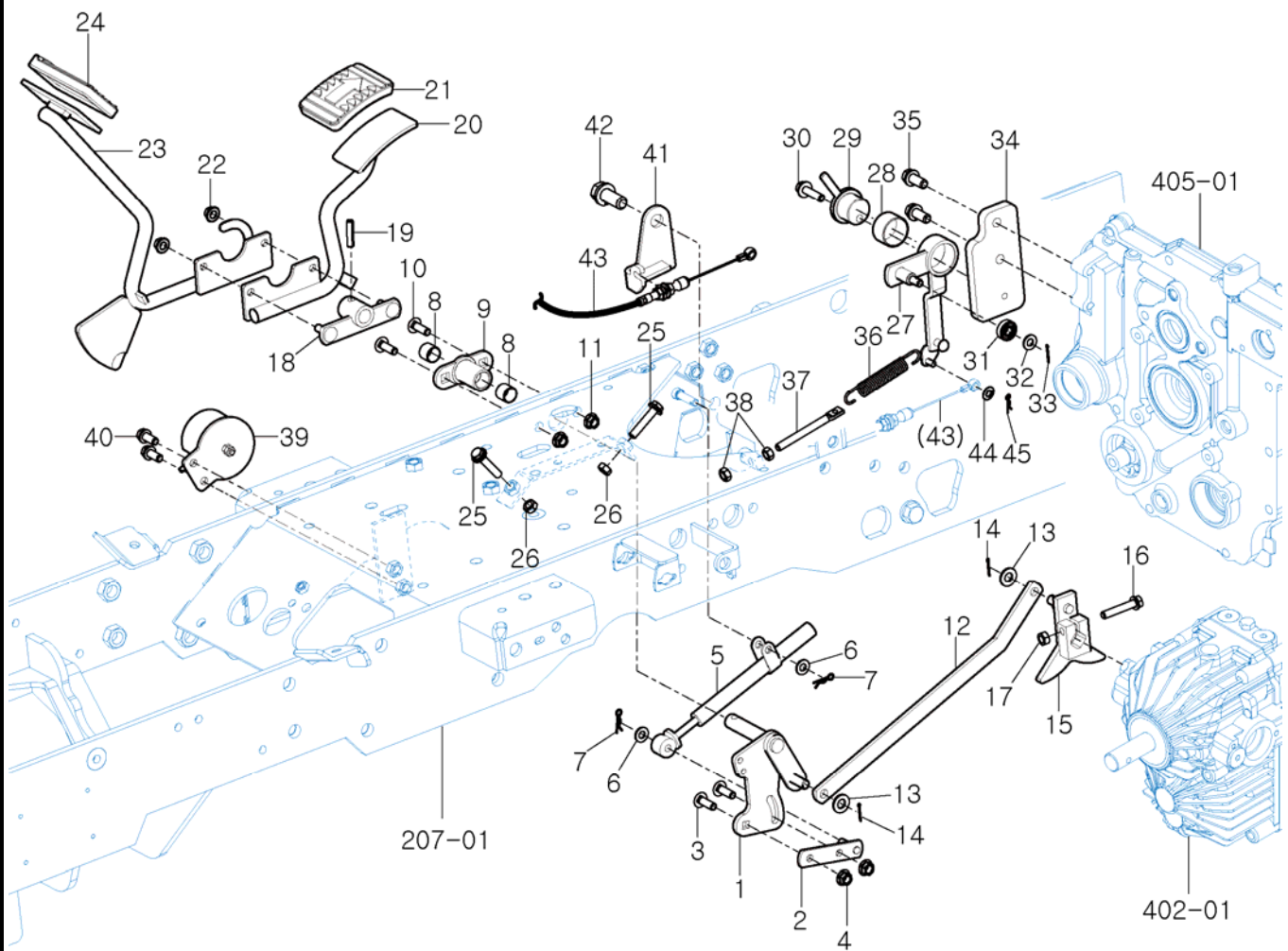
P1

YEAR

2017



Dako 19H



NOTE


FIG 303		SPEED CONTROL			P1	YEAR	
						2017	
KEY NO.	PART NO.	DESCRIPTION	SPEC.	QTY.	REPAIR	EFFECTIVE DATE	REMARKS
303	001	11612326100	PEDAL LINK COMP , HST		1		
303	002	11612326200GB	DAMPER PIN COMP		1		
303	003	11616402400	CUP HEAD SQUARE NECK BOLT		2		
303	004	V3802600080	NUT , HEX FLANGE		2		
303	005	14722312401	DAMPER , OIL		1		
303	006	V4111600080	WASHER , PLAIN		2		
303	007	V5601600008	PIN , SNAP		2		
303	008	15603142910	BUSH , 16X18X15		2		
303	009	11612320110	BOSS		1		
303	010	11612320050	BOLT , ROUND		2		
303	011	V3802600100	NUT , HEX FLANGE		2		
303	012	11612320040GB	CONTROL PLATE		1		
303	013	V4111600100	WASHER , PLAIN	M10	2		
303	014	V5001920015	PIN , SPLIT		2		
303	015	11612323000	COMP , HOLDER		1		
303	016	V2173608045	BOLT , HEX/S	M8X45	1		
303	017	V3042600080	NUT , HEX/2	M8	1		
303	018	11612327000	COMP , PEDAL BOSS		1		
303	019	V5801408036	PIN , SPRING		1		
303	020	11632322100GB	COMP , PEDAL(REVERSE)		1	~2017.09.31	
303	020	11632322100GB	COMP , PEDAL(REVERSE)		1	2017.10.01~	
303	021	11612322010	PAD		1		
303	022	V3802600080	NUT , HEX FLANGE		2		
303	023	11632322200GB	COMP , PEDAL(FORWARD)		1	~2017.09.31	
303	023	11612322201GB	COMP , PEDAL(FORWARD)		1	2017.10.01~	1905HM
303	023	11632322200GB	COMP , PEDAL(FORWARD)		1		1905H
303	024	14722312730	PAD		1		
303	025	V2013608030	BOLT , HEX	M8X30	2		
303	026	V3042600080	NUT , HEX/2	M8	2		
303	027	11612324200	ARM COMP , CAM		1	~2017.09.31	
303	027	10502324200	ARM COMP , CAM		1	2017.10.01~	
303	028	11612324010	BUSH		1		
303	029	11612324400	COMP , NEUTRAL LEVER		1		
303	030	V2143610035	BOLT .HEX FINE MACHINE/S		1		
303	031	14722310060	BEARING , BALL		1		
303	032	V4111600080	WASHER , PLAIN	M8	1		
303	033	V5001920015	PIN , SPLIT		1		
303	034	11612324311GB	BRACKET		1		
303	035	V2174610035	BOLT , HEX/S	M10X35	2		
303	036	14722310033	SPRING , RETURN		1		
303	037	34522150080	ROD . CHAIN(TENSION)(82)		1		
303	038	V3042600080	NUT , HEX/2	M8	2		
303	039	12382323000	MAGNETIC ASSY , CRUISE		1		
303	040	V2173608020	BOLT , HEX/S	M8X20	2		
303	041	10506253300GB	BRACKET COMP , FIX		1	2017.10.01~	
303	042	V2013614035	BOLT , HEX	M14X35	1	2017.10.01~	
303	043	10501812700	CABLE ASSY , AUTO THROTTLE		1	2017.10.01~	
303	044	V4111600060	WASHER , PLAIN	M6	1	2017.10.01~	
303	045	V5601600006	PIN , SNAP	6	1	2017.10.01~	
NOTE							

FIG 304

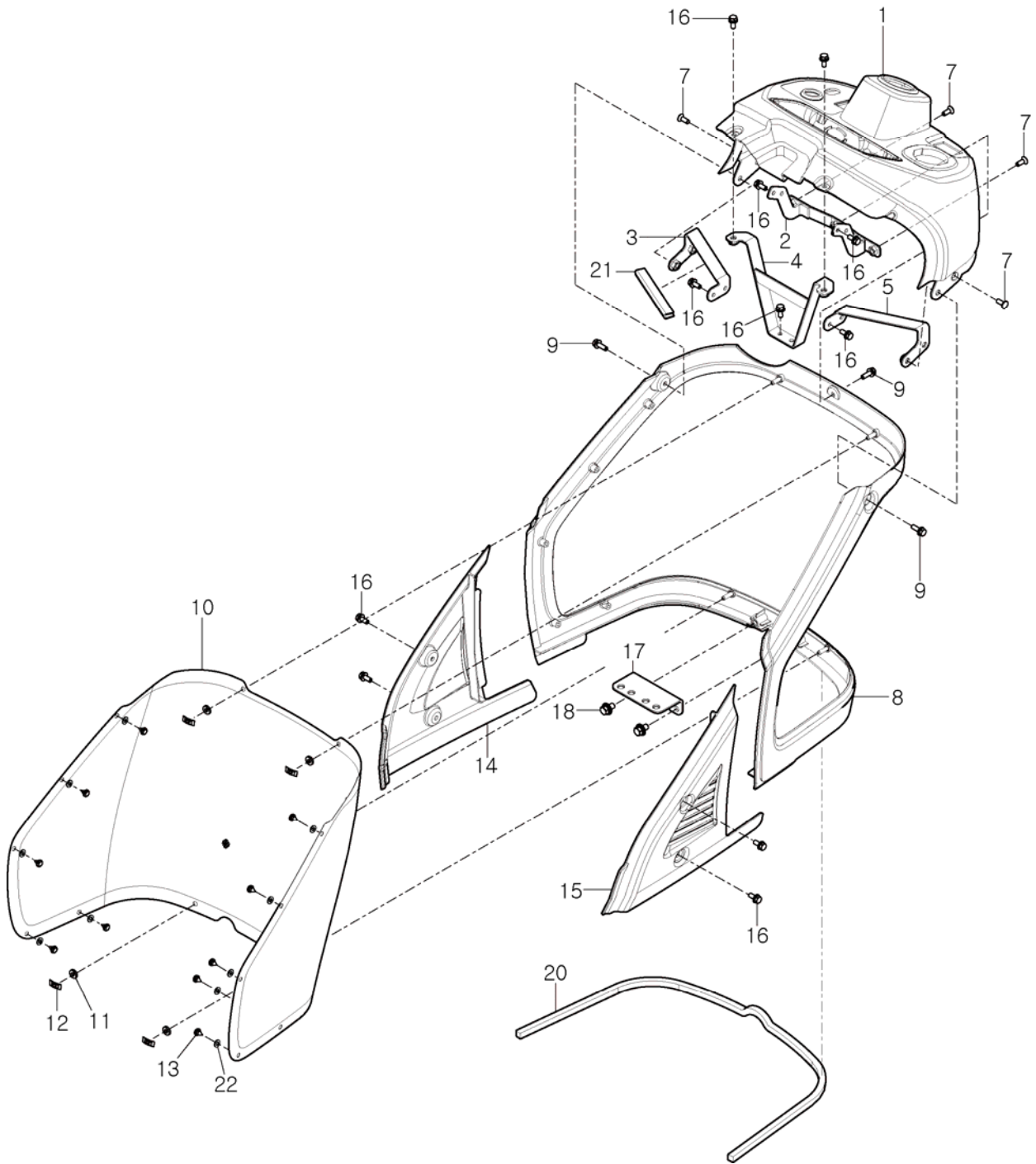
Dako 19H

DASH COVER

P1

YEAR

2017



NOTE

FIG 305

STEERING VALVE

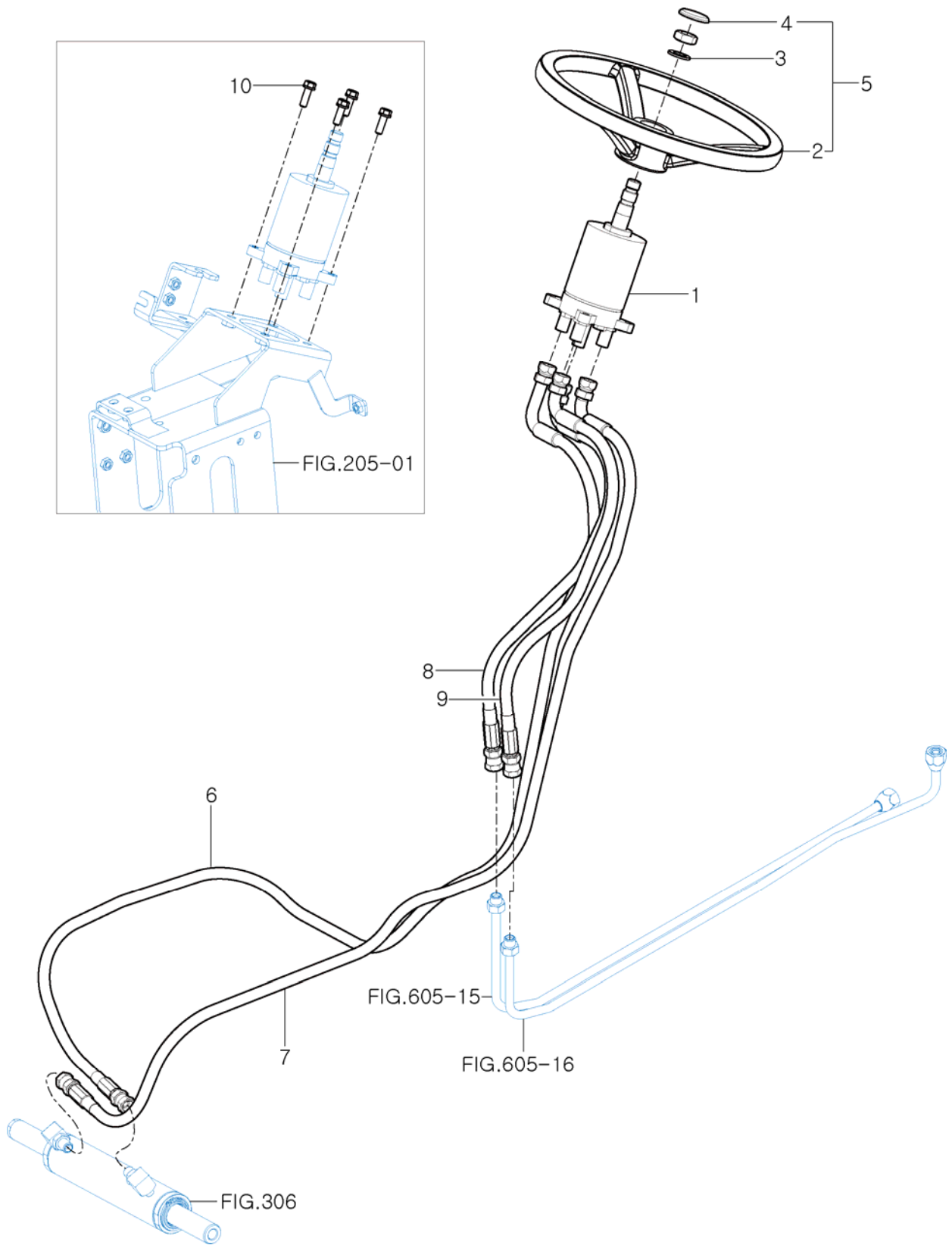
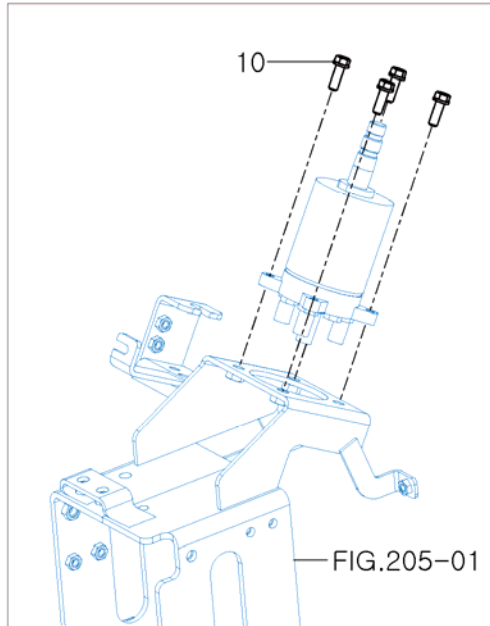
P1

YEAR

2017



Dako 19H



NOTE

FIG 306

STEERING CYLINDER

P1

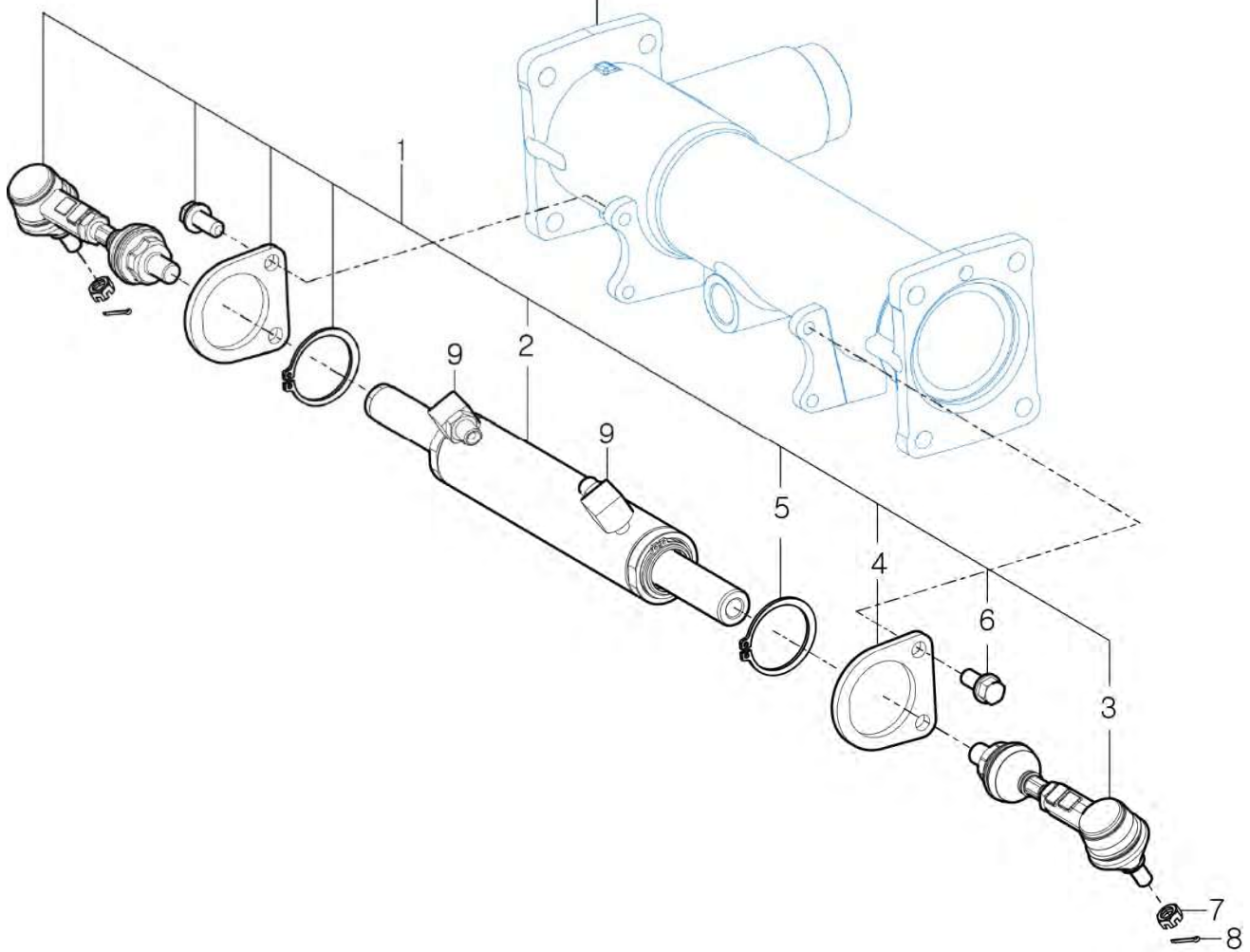
YEAR

2017



Dako 19H

FIG.504-01



NOTE

FIG 307

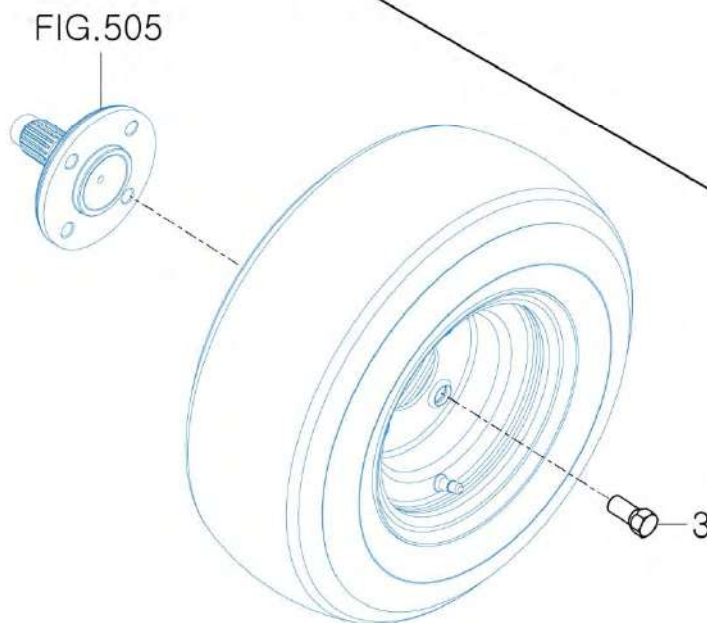
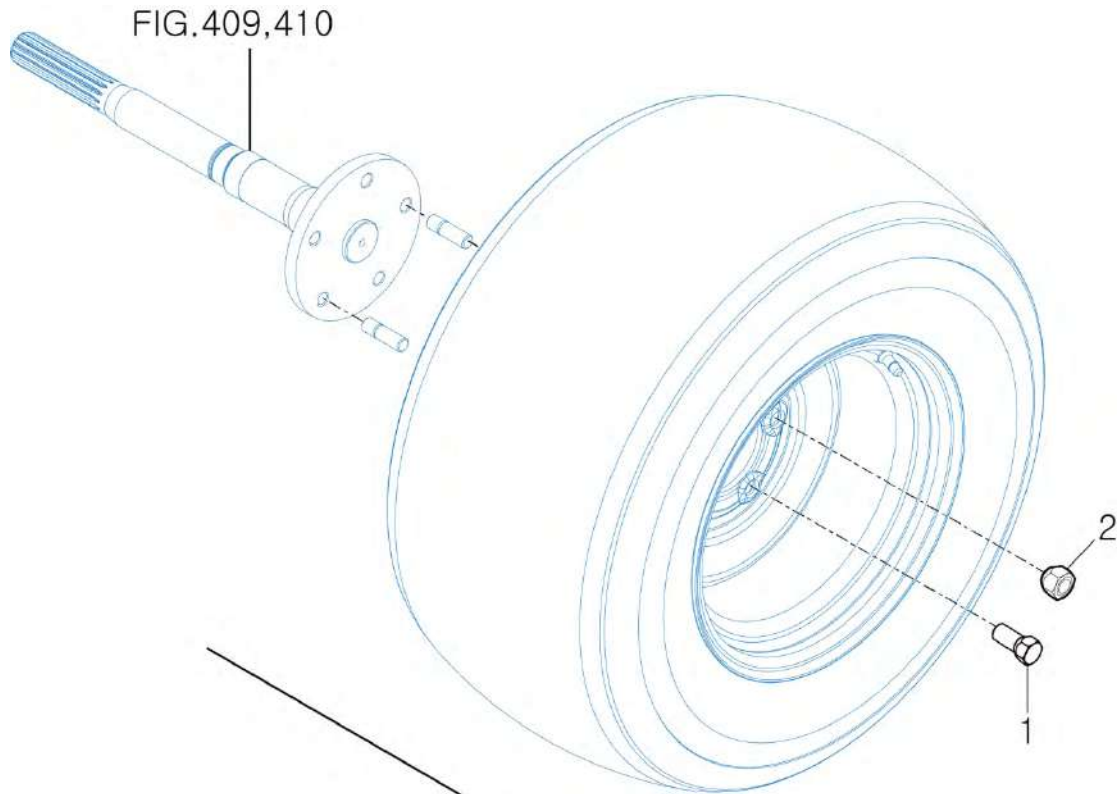
Dako 19H

TIRE

P1

YEAR

2017



NOTE

FIG 401

Dako 19H

INPUT SHAFT

P1

YEAR

2017

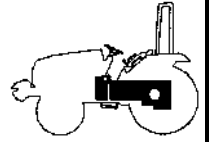
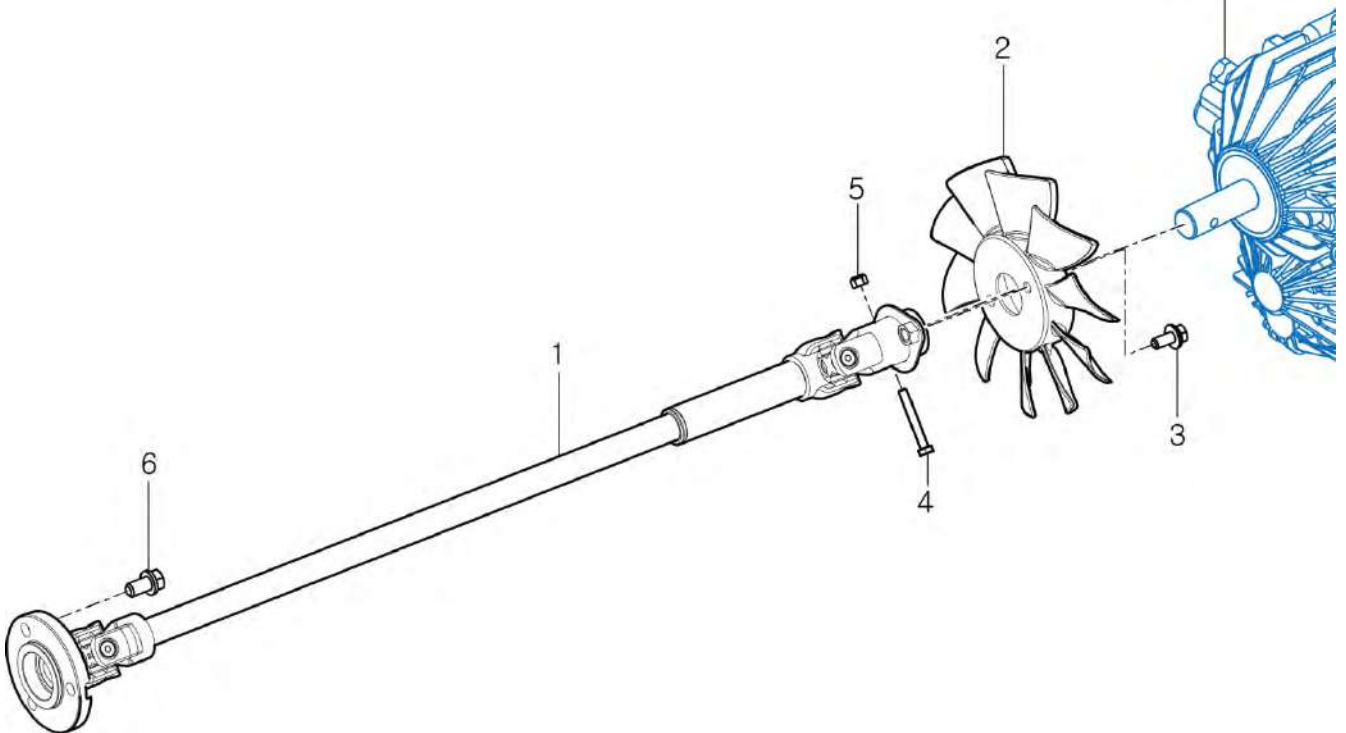


FIG.402-01



NOTE

FIG 402

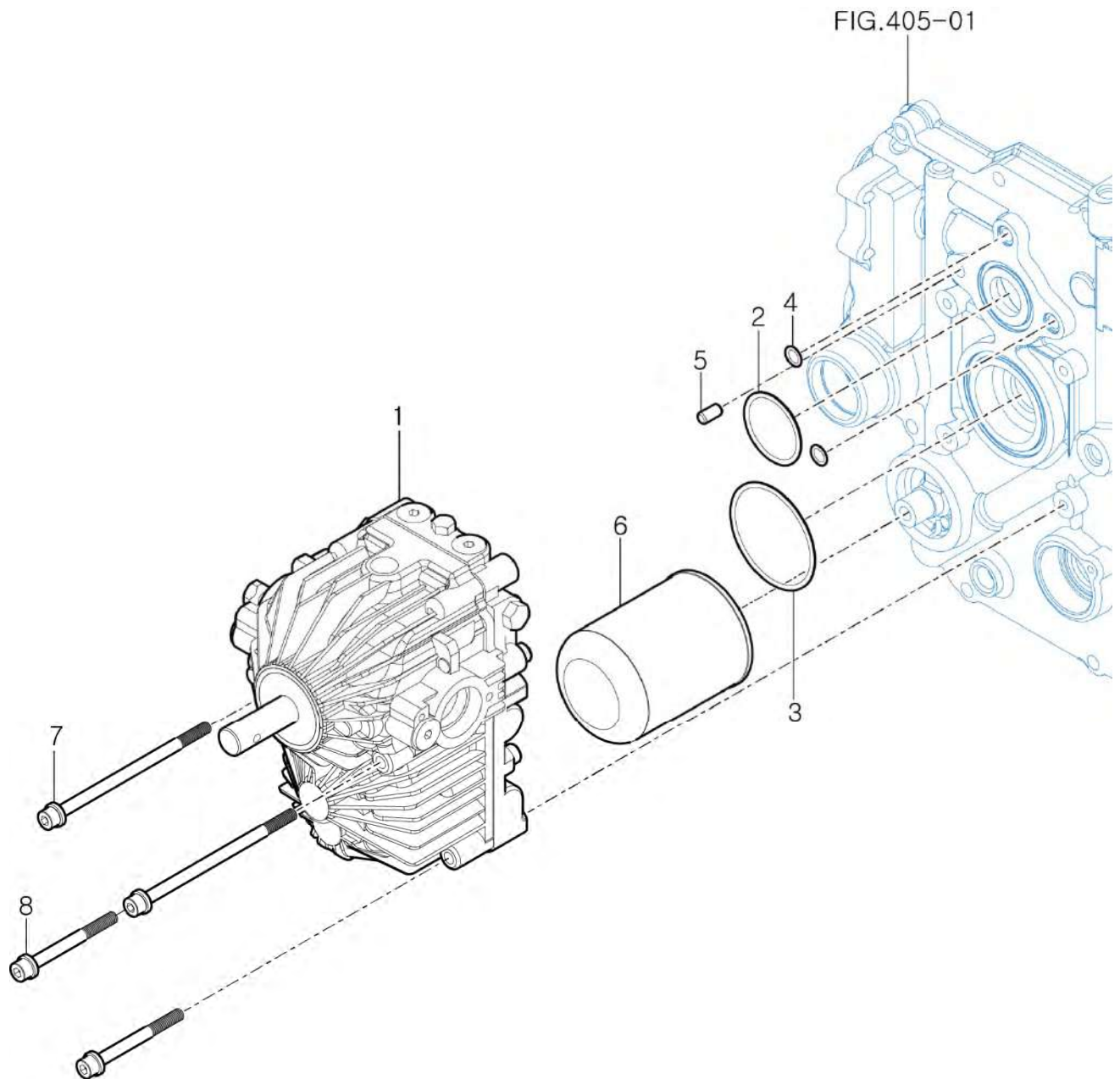
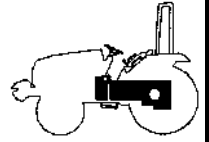
Dako 19H

HST

P1

YEAR

2017



NOTE

FIG 403

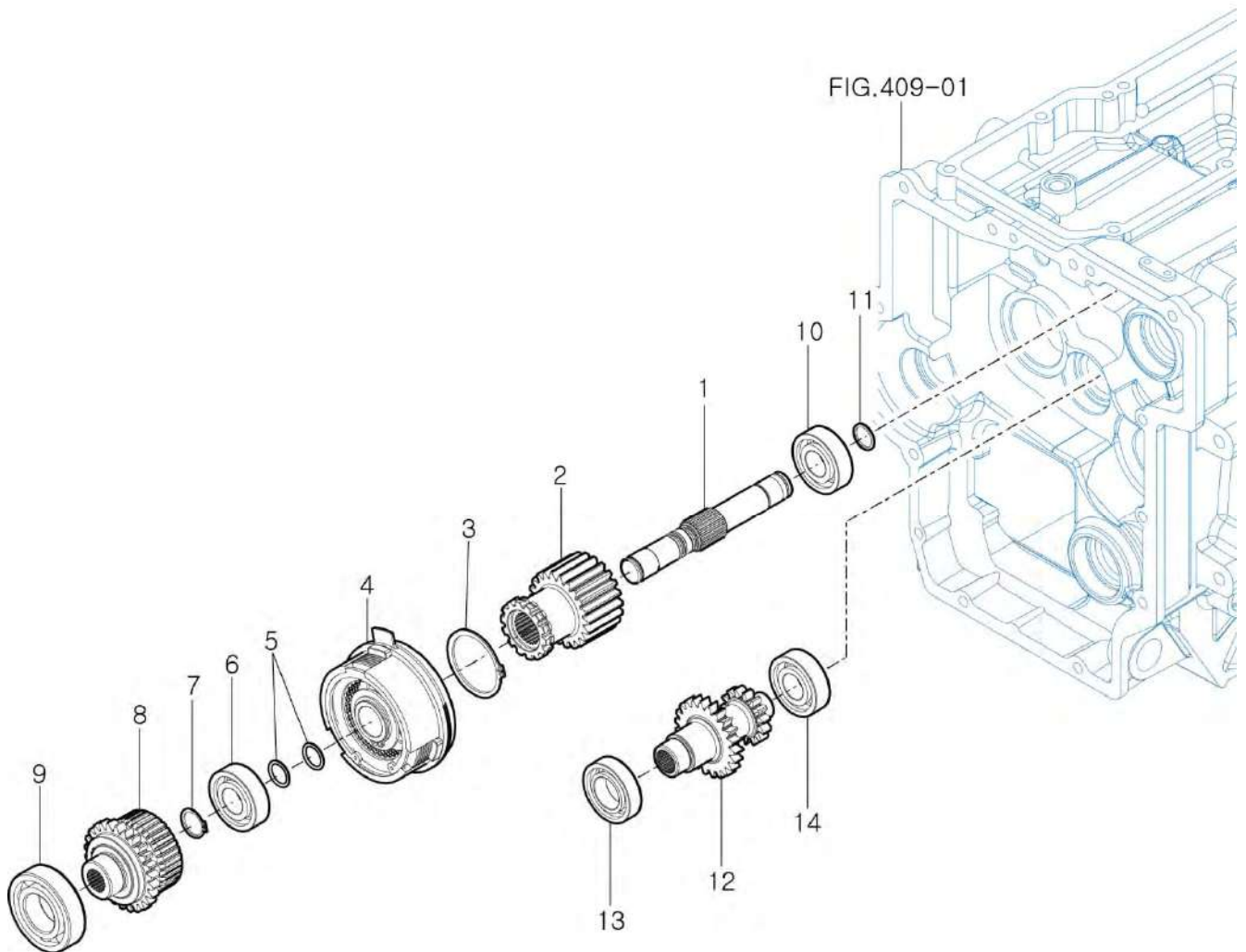
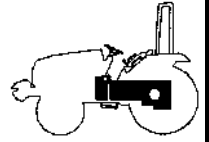
Dako 19H

PTO CLUTCH SUB& RANGE
GEAR SUB

P1

YEAR

2017



NOTE

FIG 404

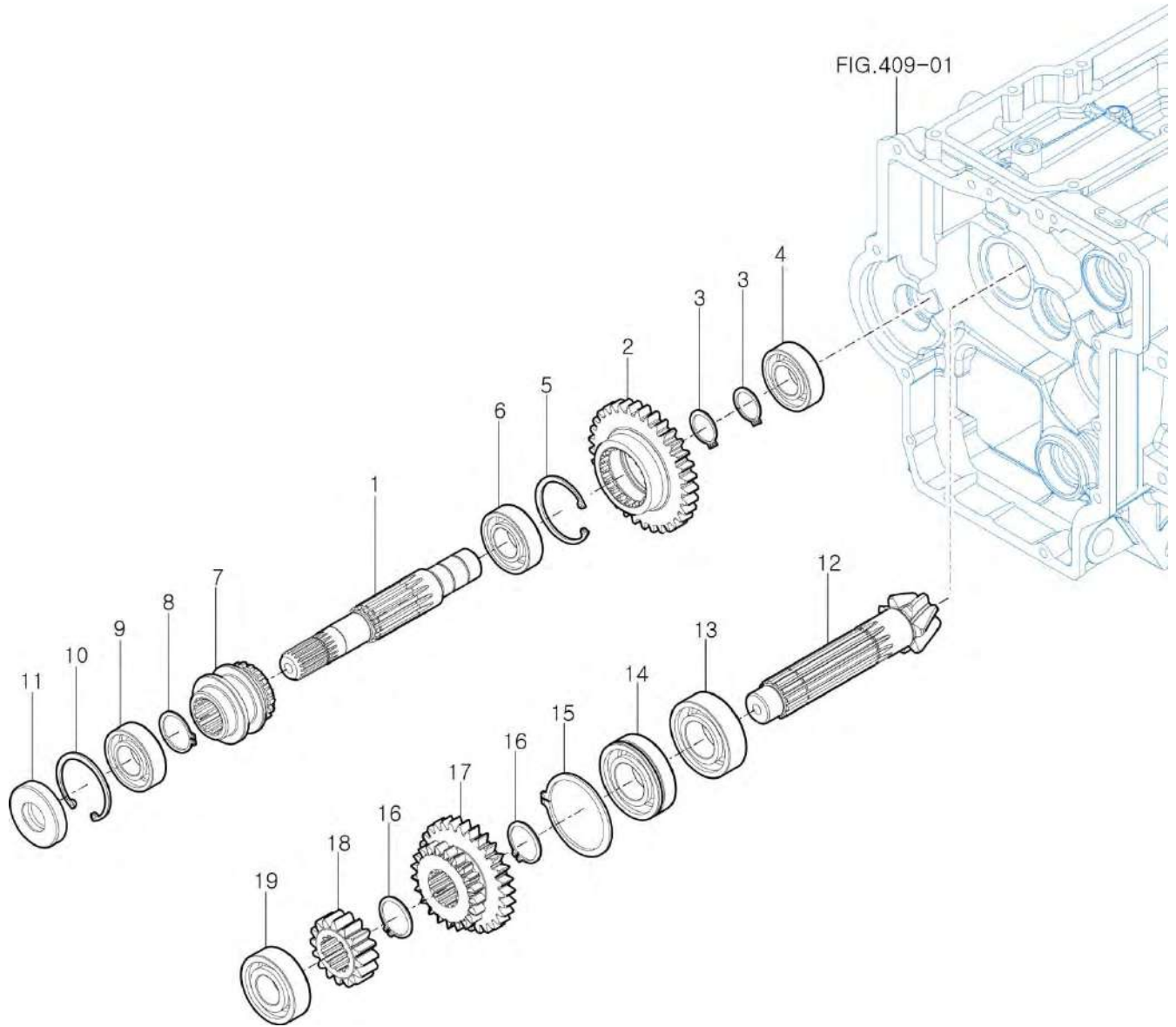
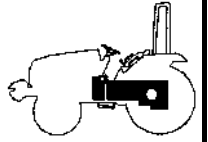
Dako 19H

SPIRAL BEVEL PINION & 4WD
SHAFT SUB

P1

YEAR

2017



NOTE

FIG 405

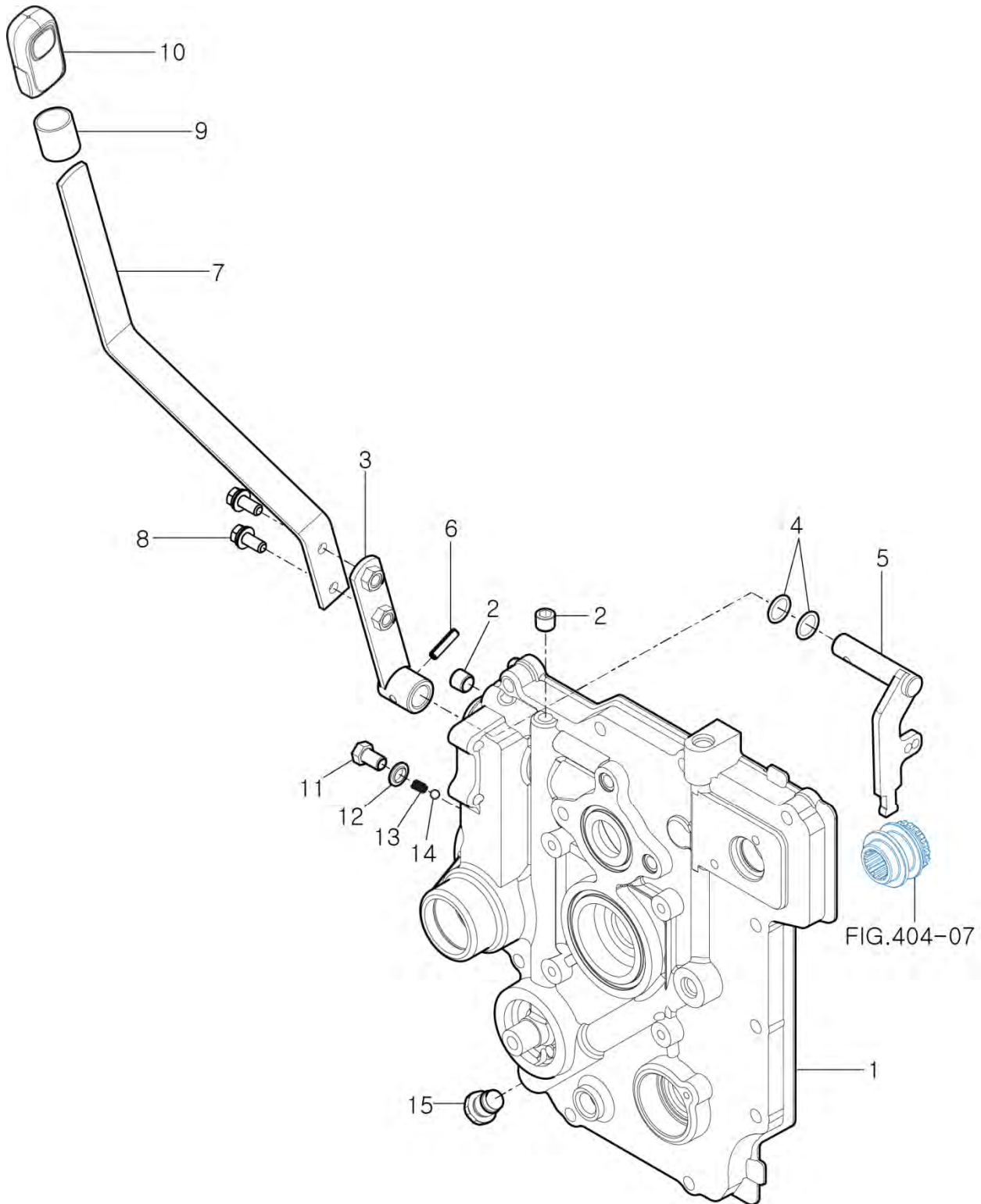
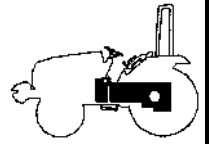
Dako 19H

INPUT METAL

P1

YEAR

2017



NOTE

FIG 406

Dako 19H

P.T.O COUNT SHAFT SUB &
REAR P.T.O SUB

P1

YEAR

2017

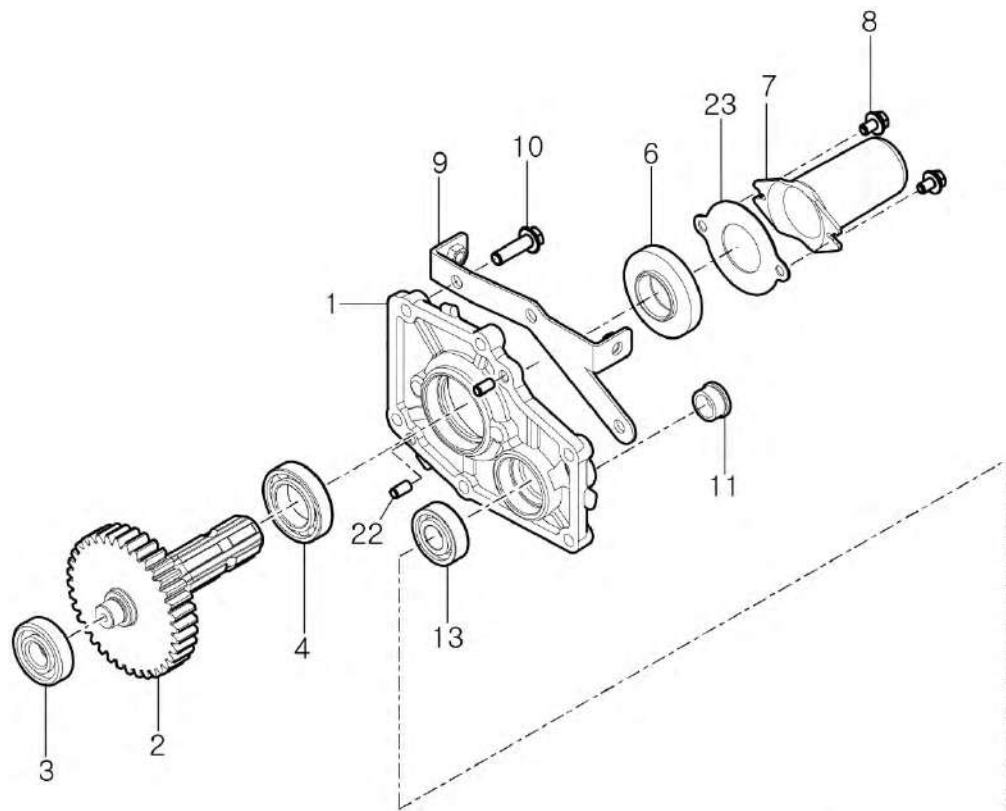
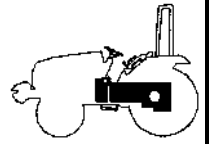
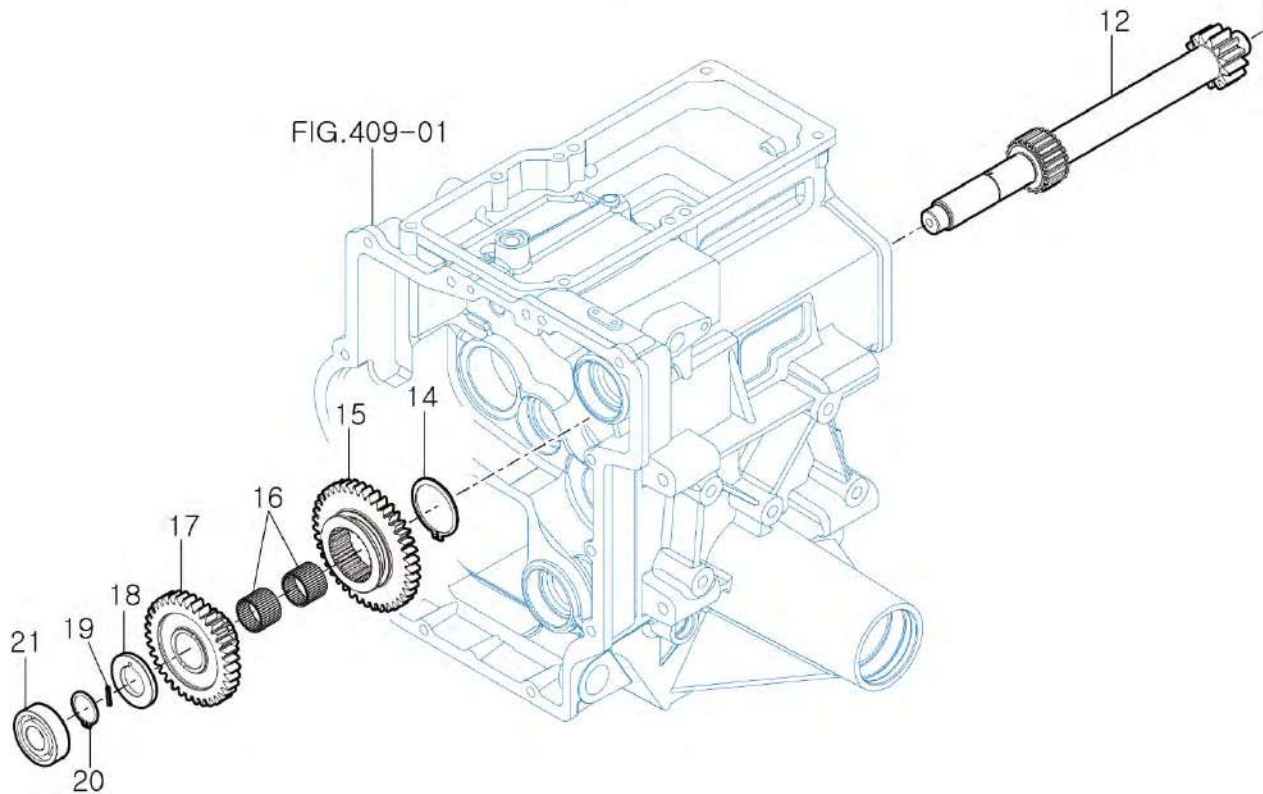


FIG.409-01



NOTE

FIG 407

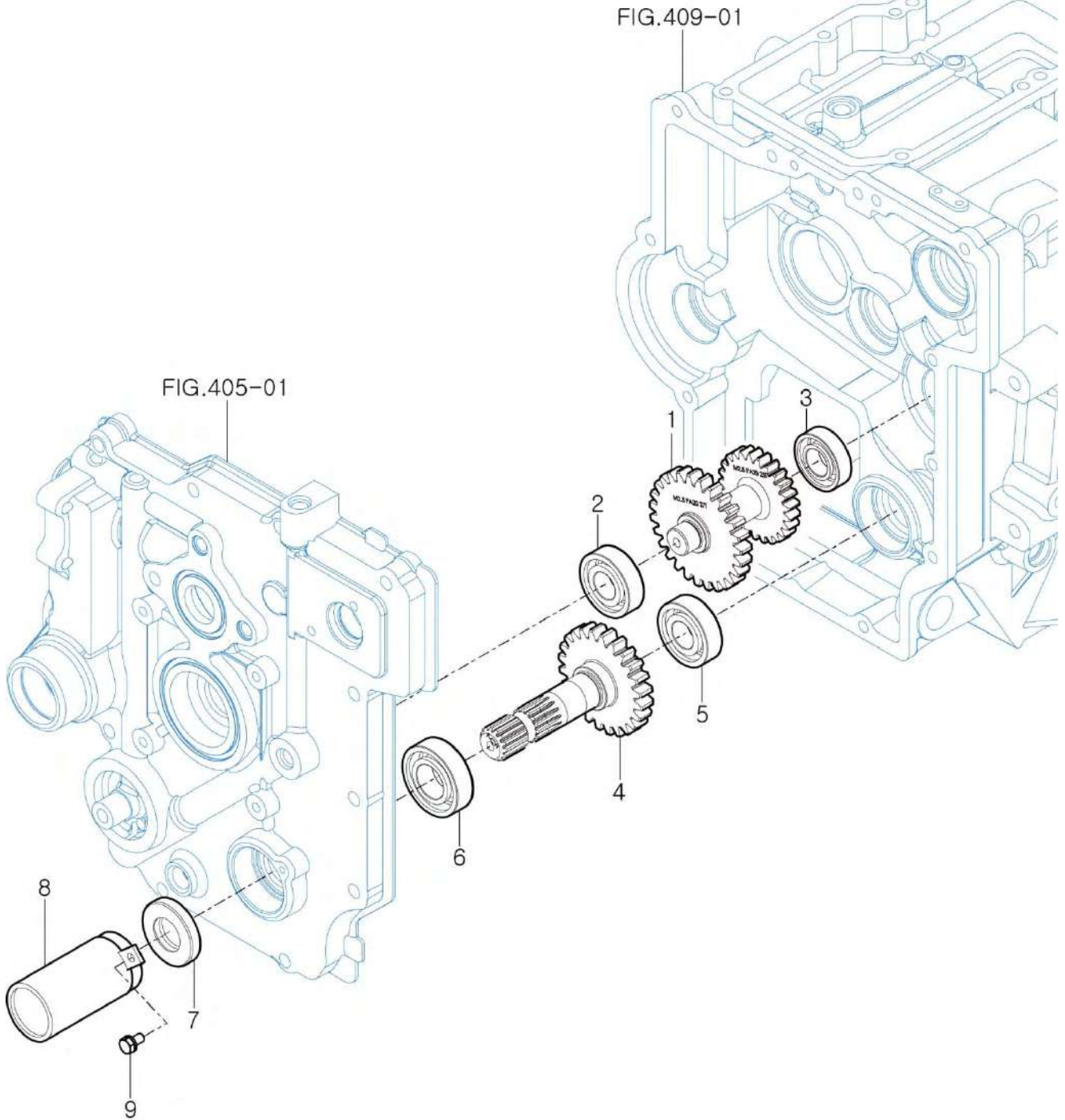
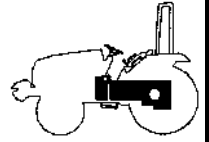
Dako 19H

MID P.T.O IDLE GEAR & MID
P.T.O SUB

P1

YEAR

2017



NOTE

FIG 408

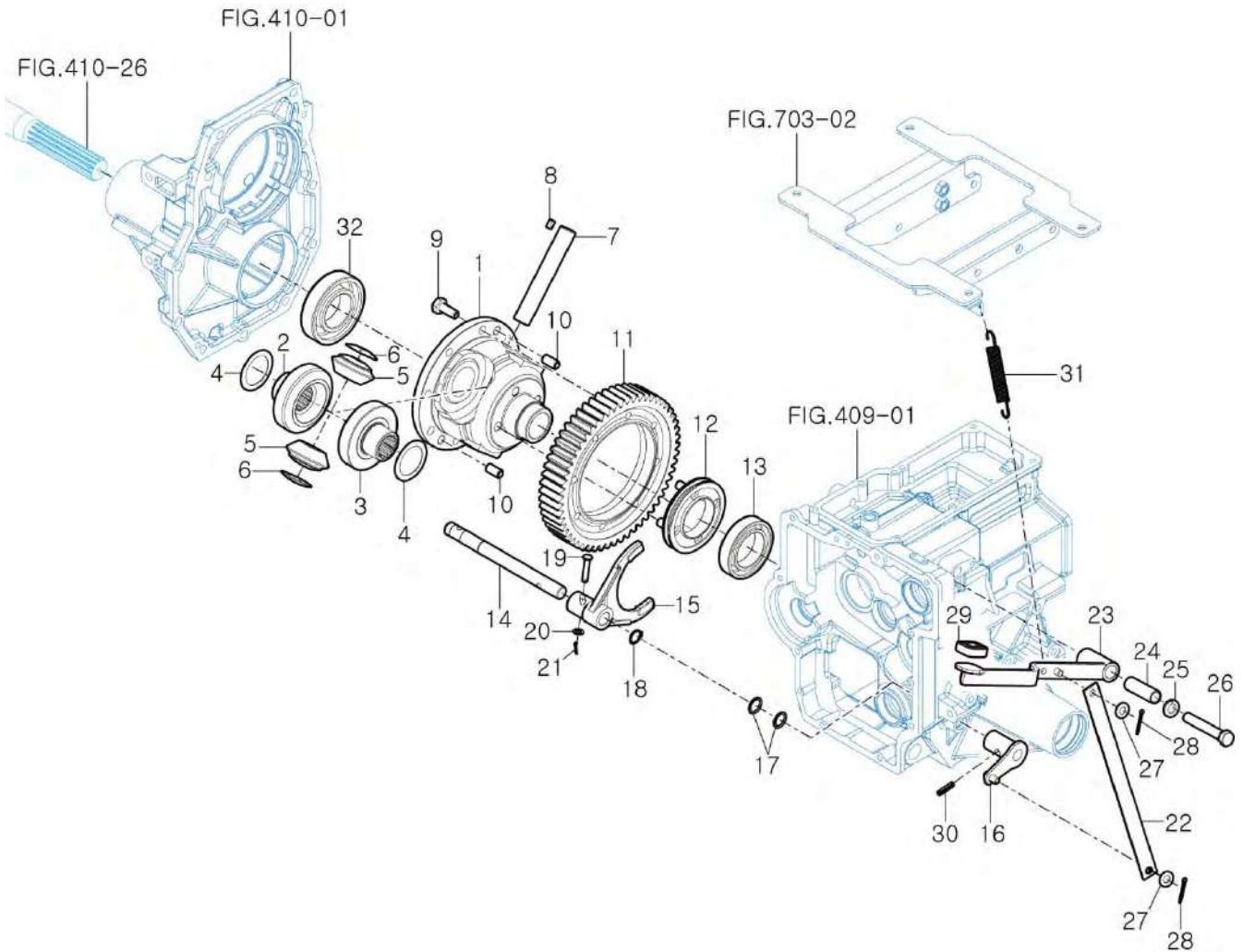
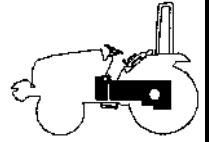
Dako 19H

DIFF LOCK

P1

YEAR

2017



NOTE

FIG 409

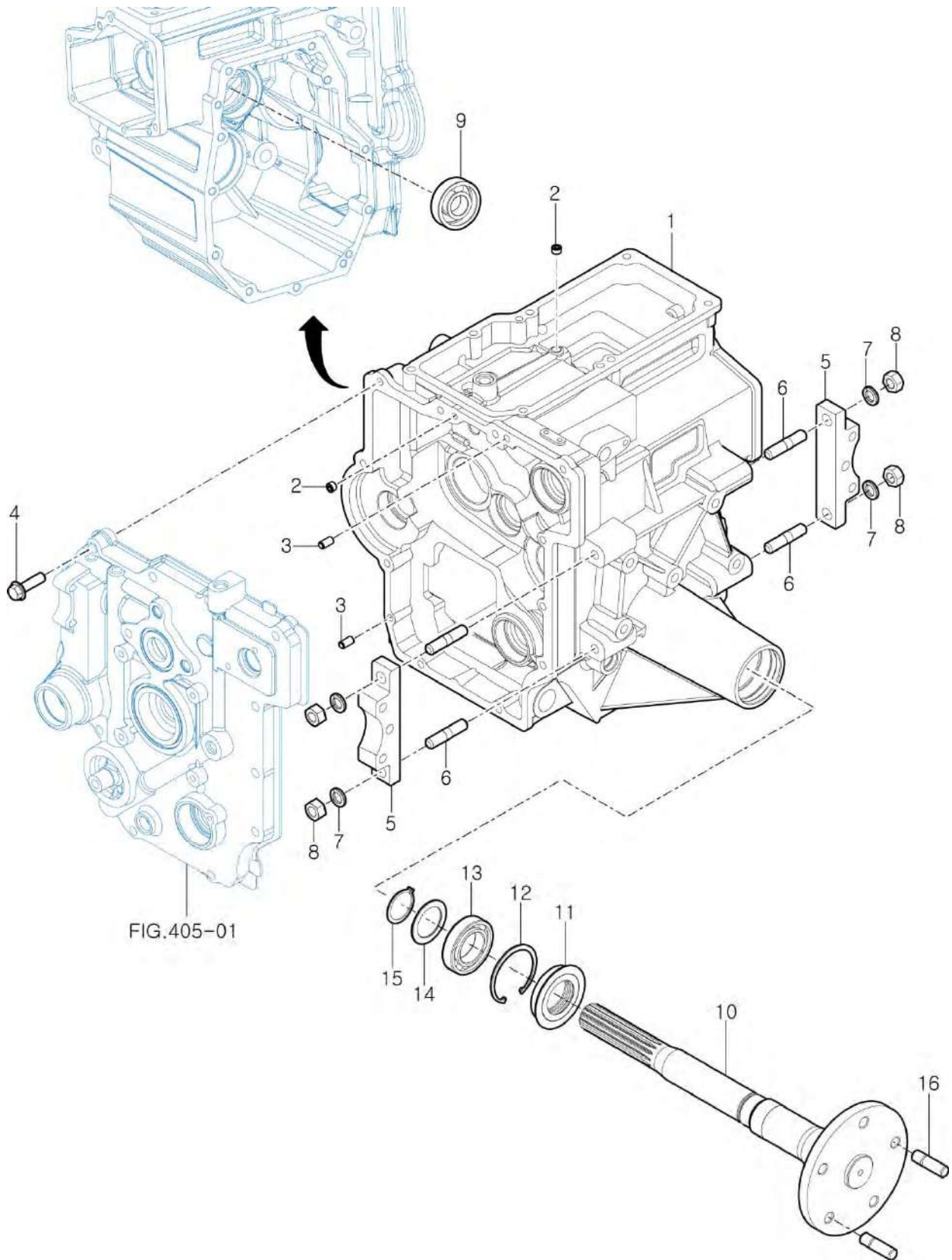
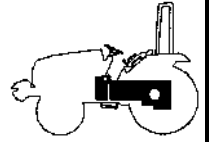
REAR TRANSMISSION CASE

Dako 19H

P1

YEAR

2017



NOTE

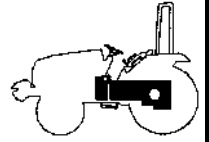
FIG 410

REAR AXLE HOUSING

P1

YEAR

2017



Dako 19H

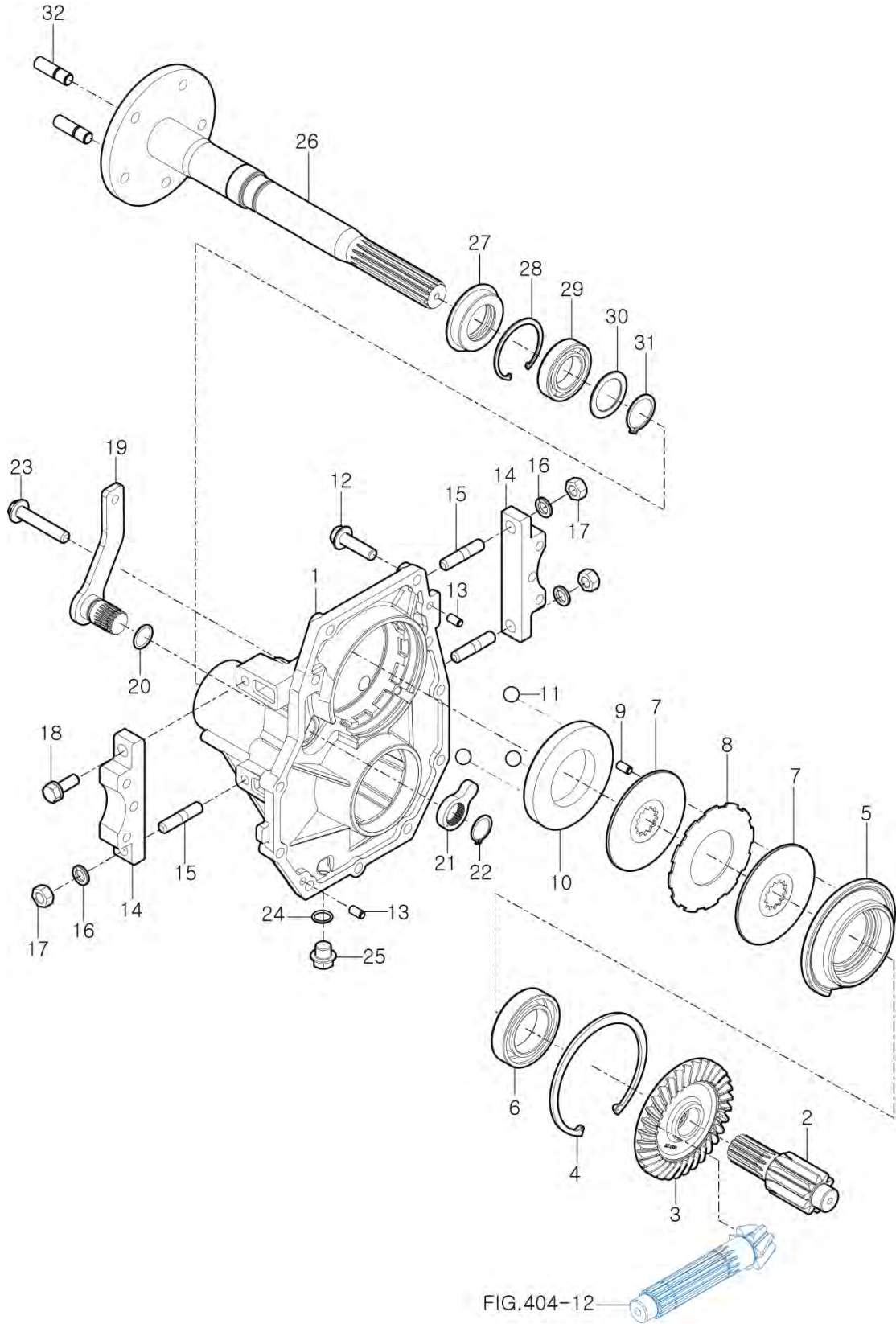


FIG.404-12

NOTE

FIG 411

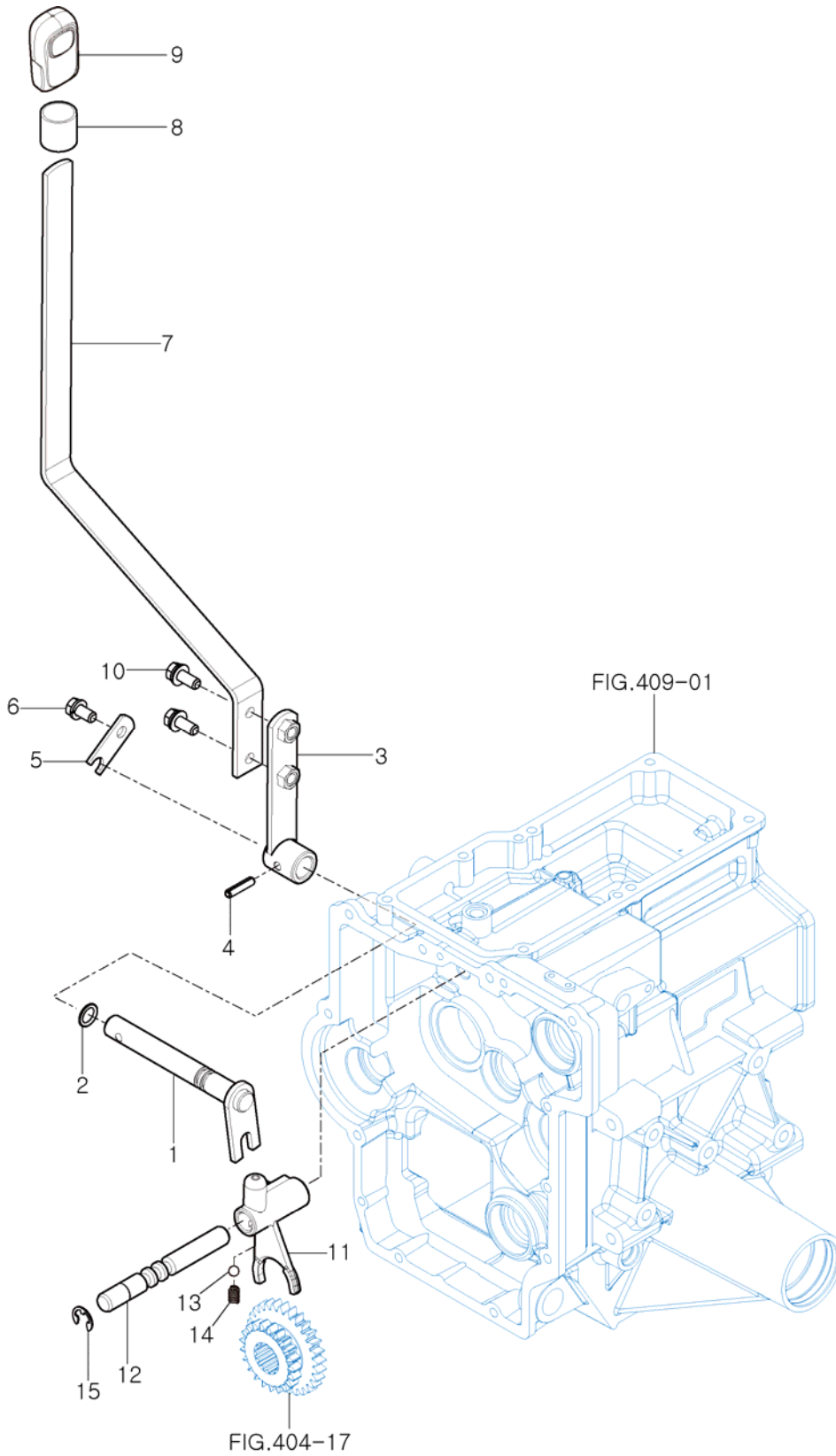
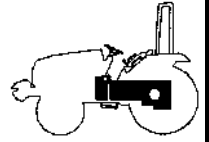
Dako 19H

RANGE SHIFT LEVER

P1

YEAR

2017



NOTE

FIG 412

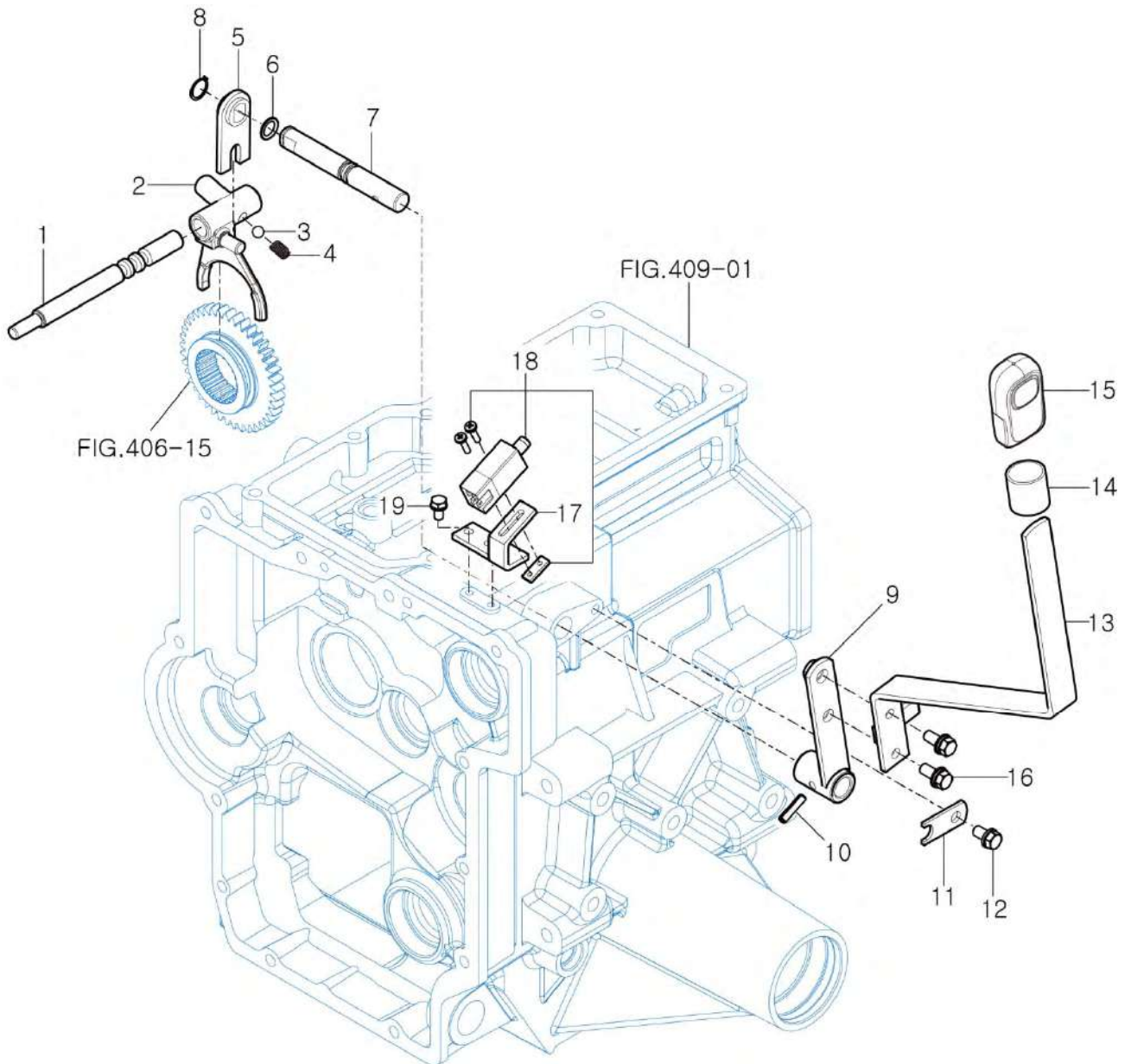
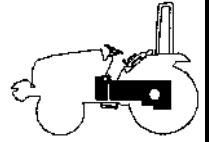
Dako 19H

P.T.O CHANGE LEVER

P1

YEAR

2017



NOTE

FIG 413

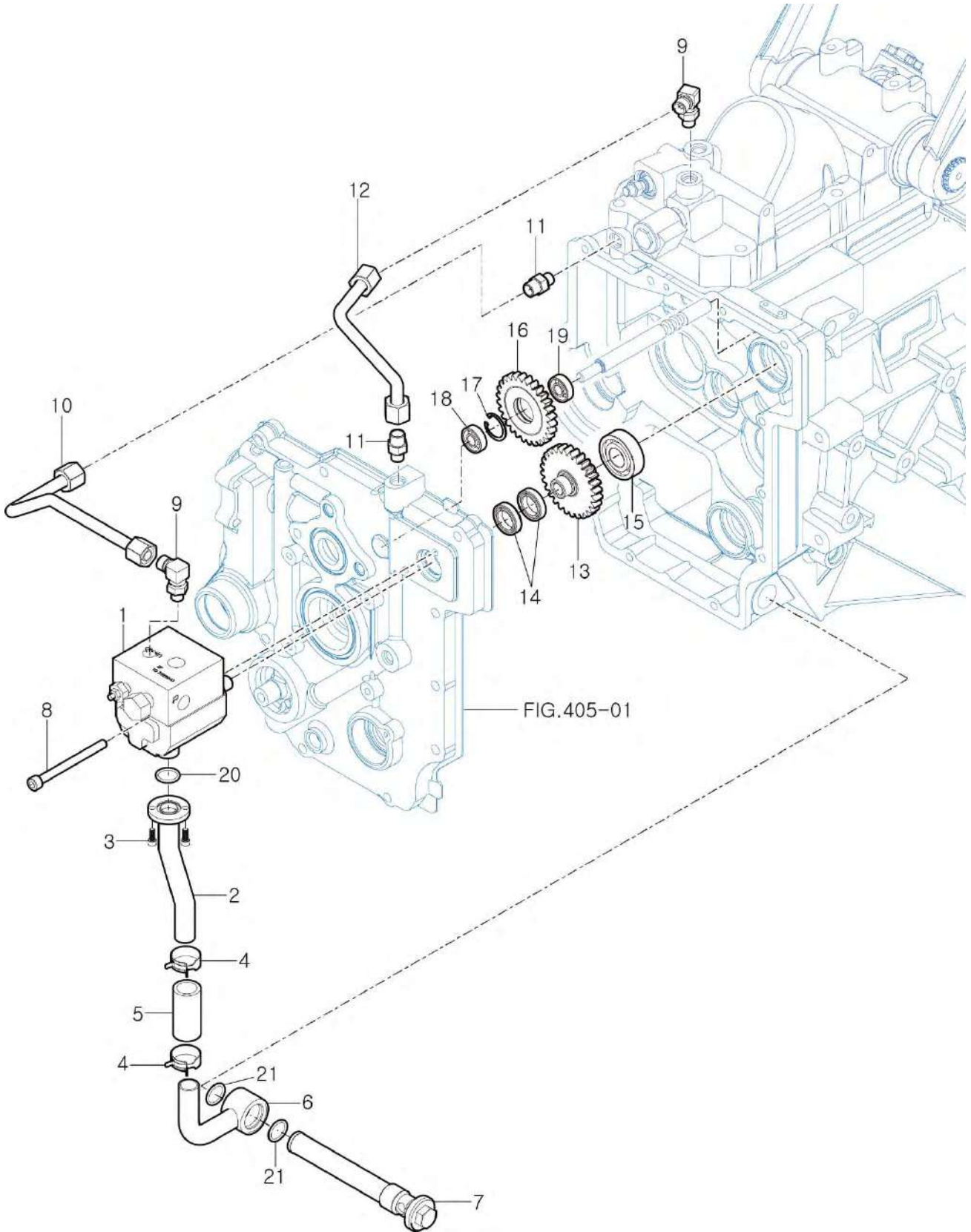
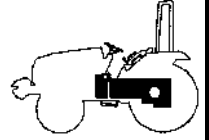
Dako 19H

GEAR PUMP & PUMP IDLE GEAR SUB

P1

YEAR

2017



NOTE

KEY NO.		PART NO.	DESCRIPTION	SPEC.	QTY.	REPAIR	EFFECTIVE DATE	REMARKS
413	001	11615182000	GEAR PUMP ASSY		1			
413	002	11615152100	ADAPTOR COMP , SUCTION UPPER		1			
413	003	V2205406016	BOLT , HEX-SOCKET	M6X16	2			
413	004	11615150020	CLAMP		2			
413	005	11615150010	RUBBER , SUCTION		1			
413	006	11615153100	PIPE COMP , SUCTION		1			
413	007	11105152100	STRAINER , SUCTION		1			
413	008	V2205408090	BOLT , HEX-SOCKET		2			
413	009	11615030170	ELBOW (PF1/4, PF1/4)		2			
413	010	11615154200	PIPE COMP , DRAIN		1			
413	011	11615030180	ADAPTOR (PF 1/4)		2			
413	012	11615154100	PIPE COMP , PTO		1			
413	013	11612320020	GEAR , SPUR 28T		1			
413	014	V6001106804	BALL BEARING		2			
413	015	V6001106204	BEARING , BALL	6204	1			
413	016	11612320010	GEAR , SPUR 28T		1			
413	017	V7051400260	C-RING , HOLE	26	1			
413	018	V6001106000	BEARING , BALL	6000	1			
413	019	V6001106000	BEARING , BALL	6000	1			
413	020	V7201124022	O-RING , P		1			
413	021	V7201035030	O-RING , P		2			
NOTE								

FIG 413
GEAR PUMP & PUMP IDLE GEAR
SUB

P1

YEAR
2017

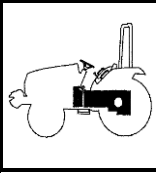


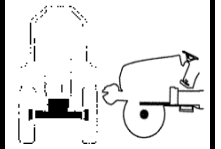
FIG 501

FRONT DRIVE SHAFT

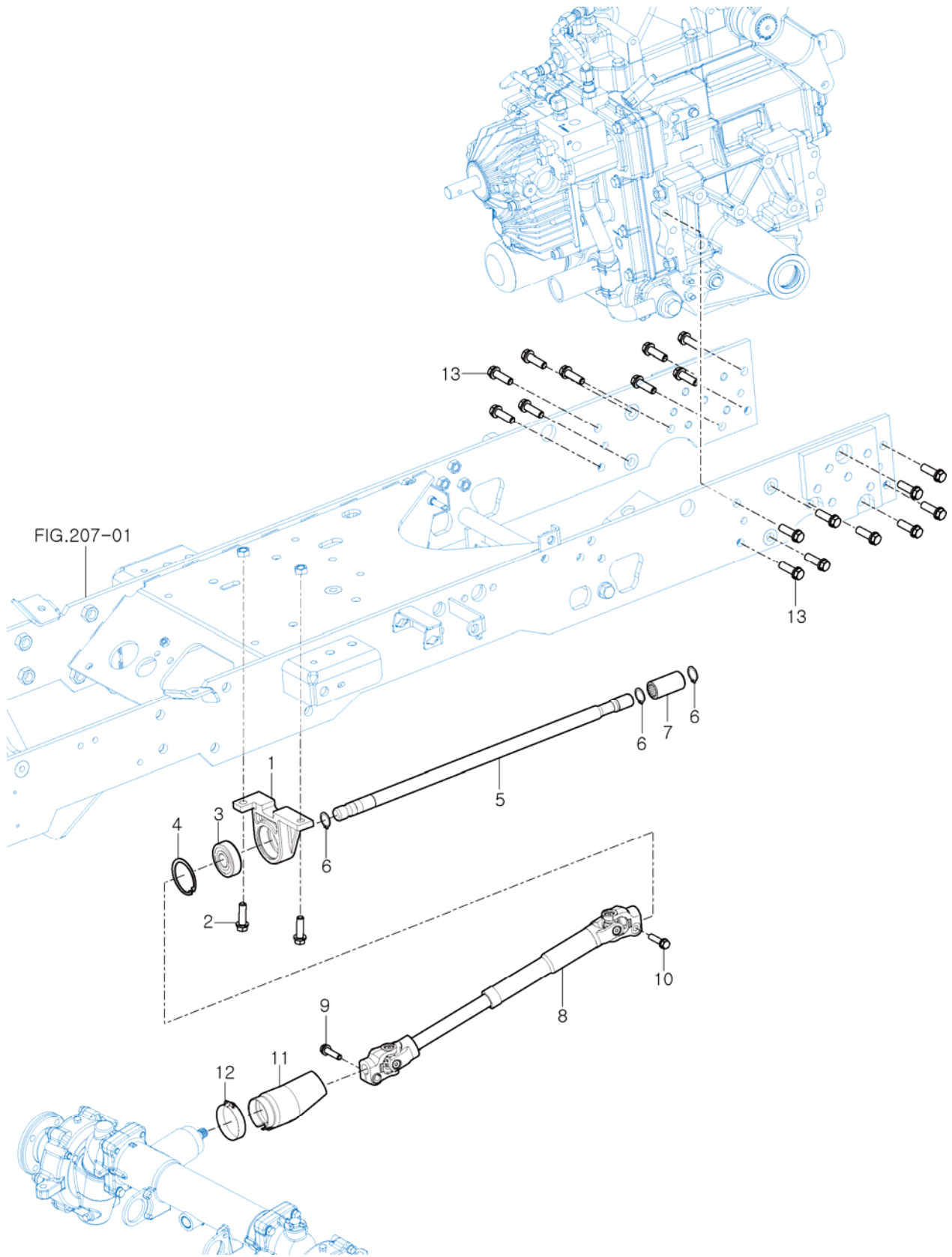
P1

YEAR

2017



Dako 19H



NOTE

FIG 502

FRONT DIFFERENTIAL GEAR

Dako 19H

P1

YEAR

2017

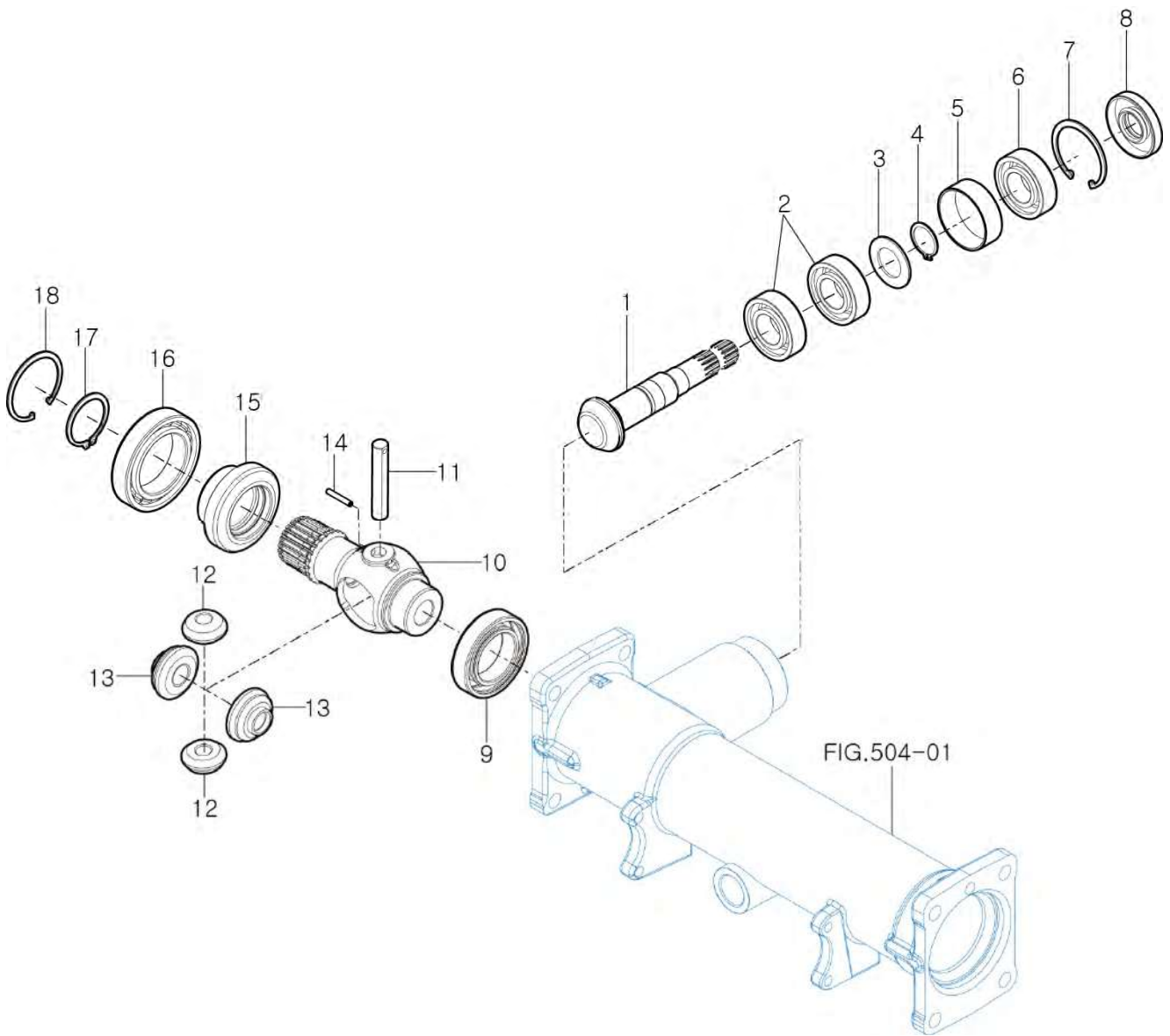
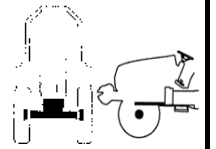


FIG.504-01

NOTE

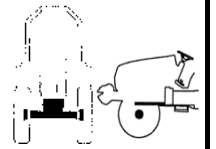
FIG 503

FRONT AXLE HOUSING

P1

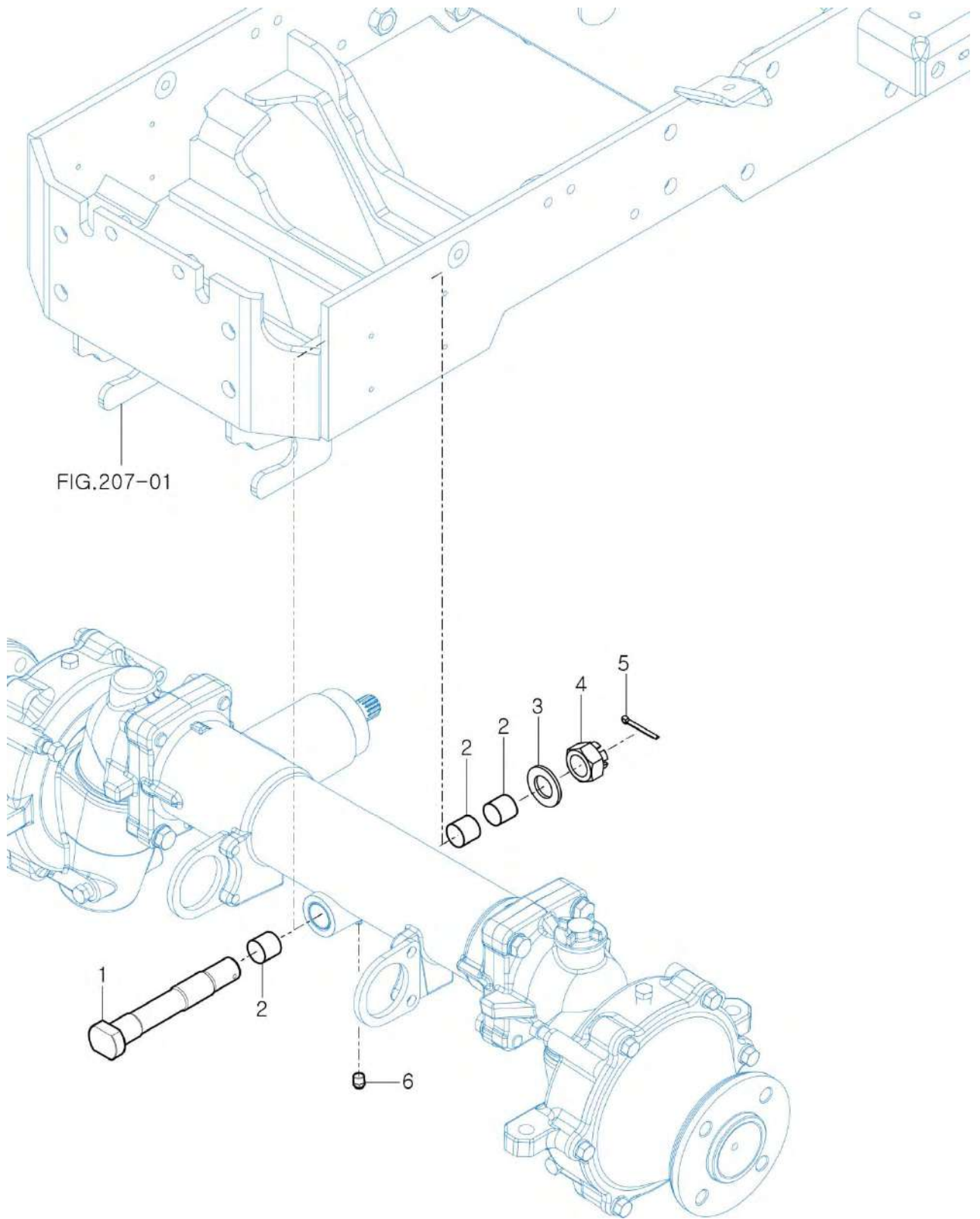
YEAR

2017



Dako 19H

FIG.207-01



NOTE

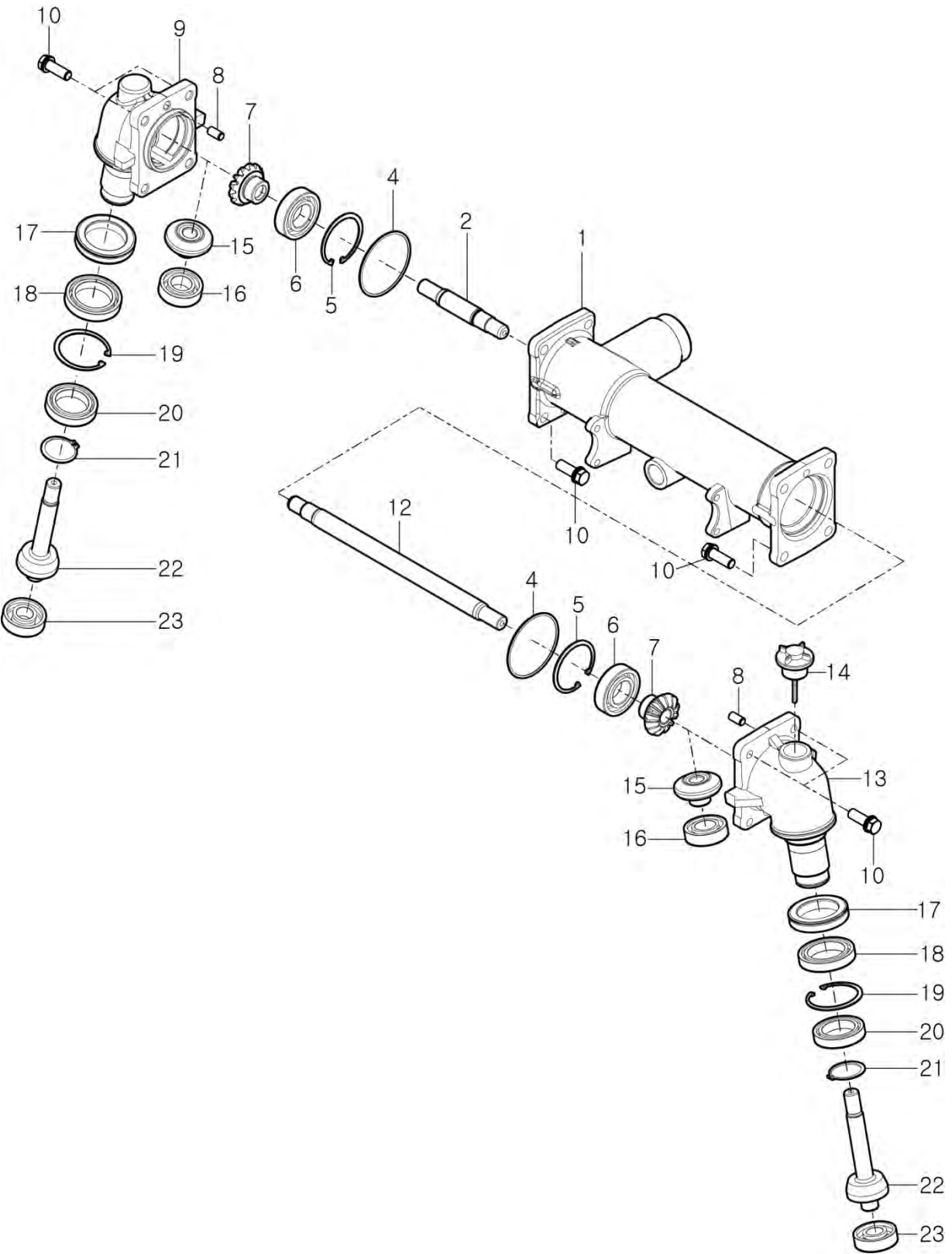
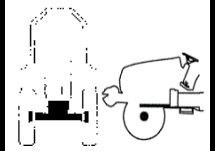
FIG 504

FRONT GEAR CASE (1)

P1

YEAR

2017



NOTE

FIG 505

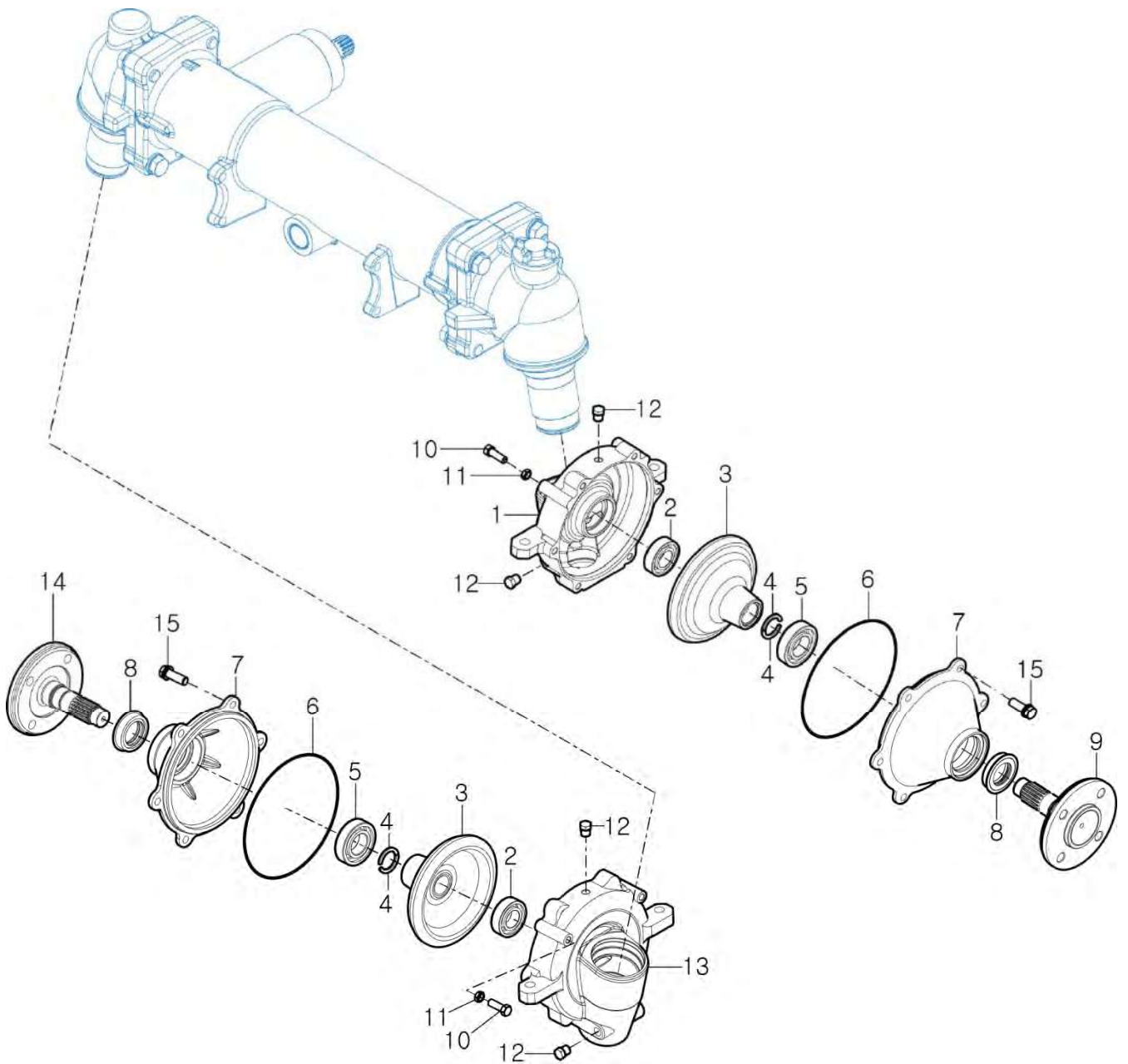
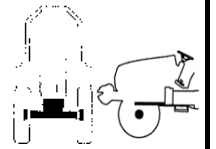
FRONT GEAR CASE (2)

Dako 19H

P1

YEAR

2017



NOTE

FIG 601

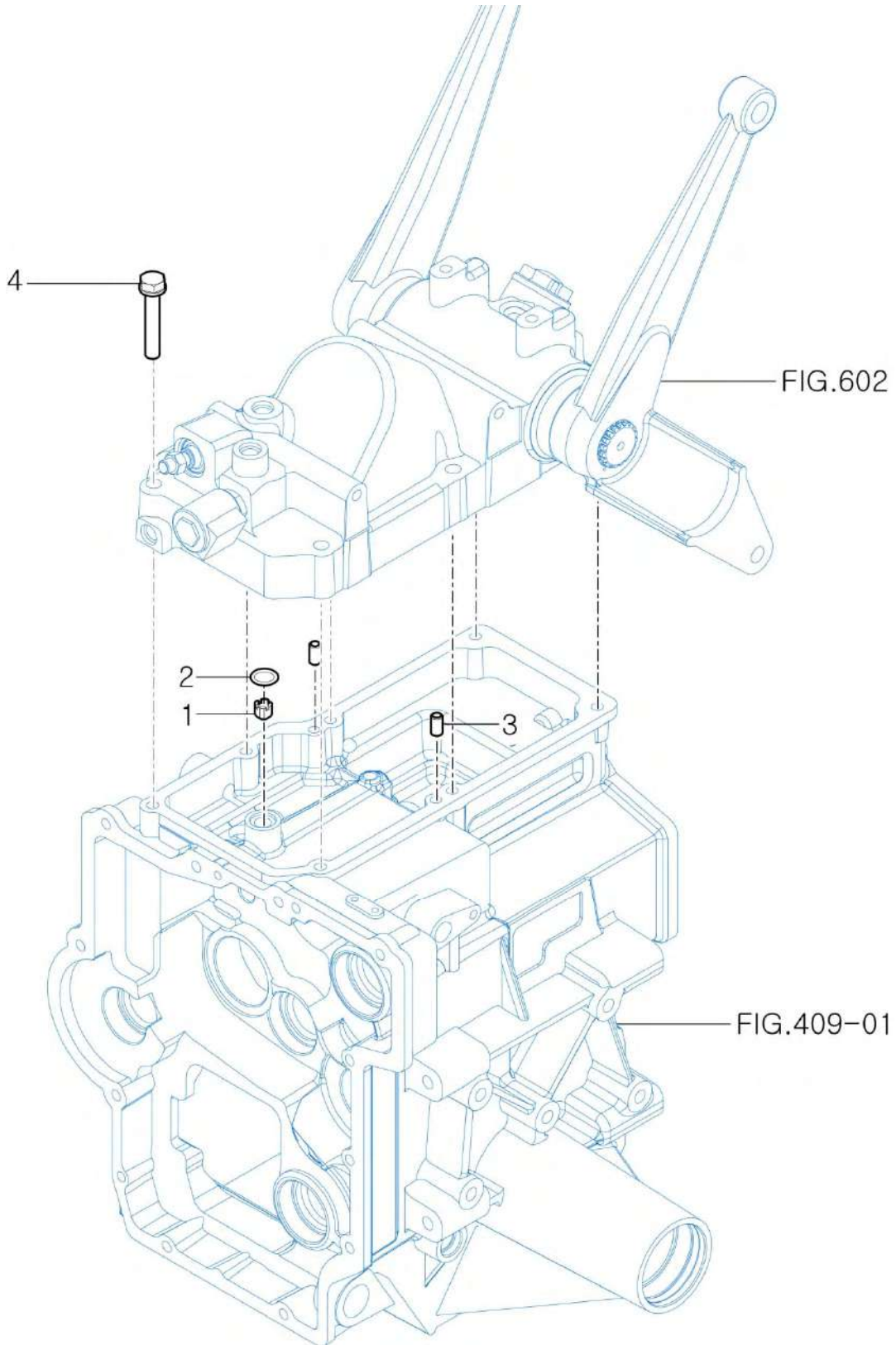
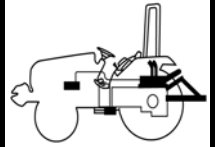
Dako 19H

CYLINDER CASE

P1

YEAR

2017



NOTE

FIG 602

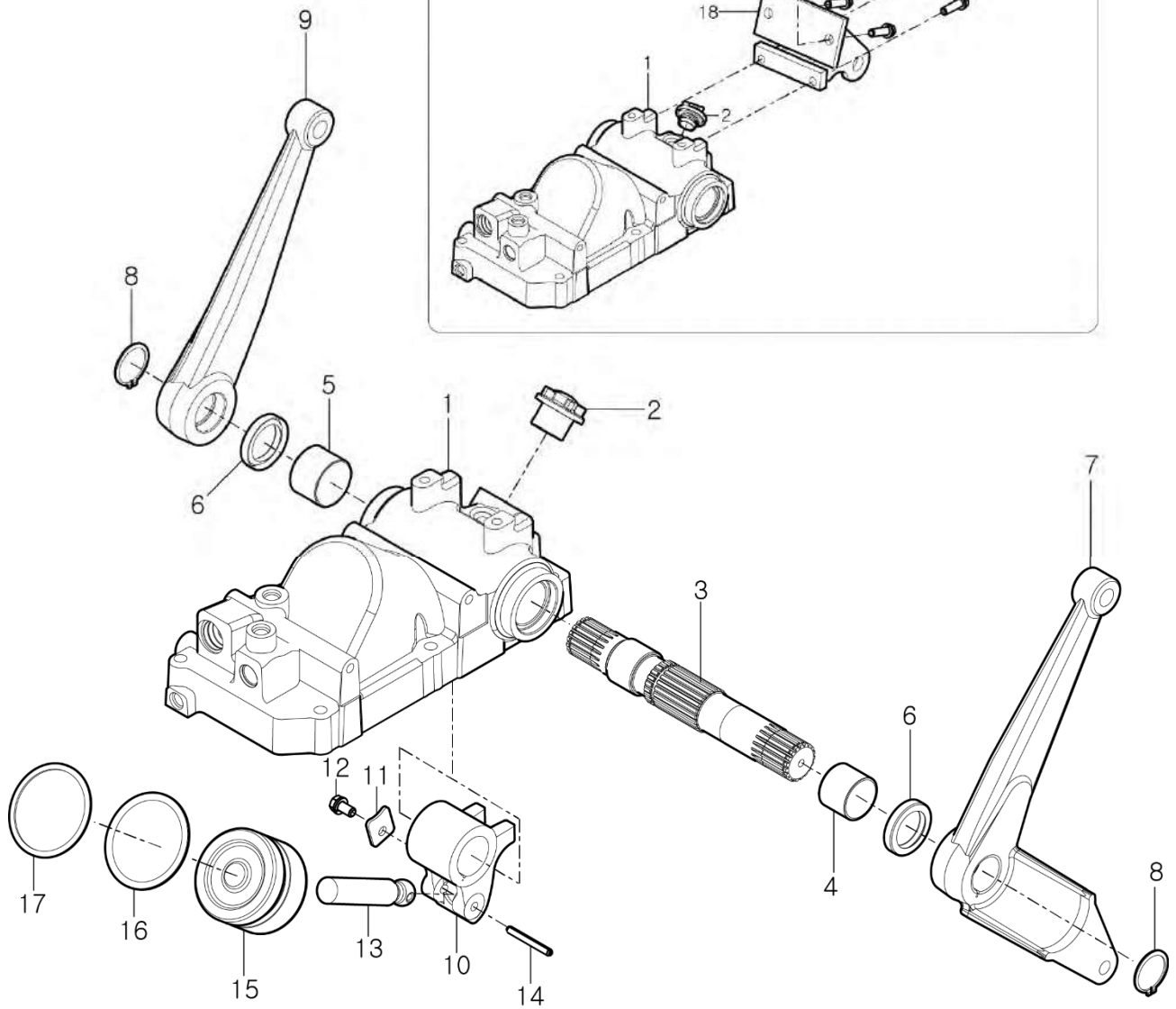
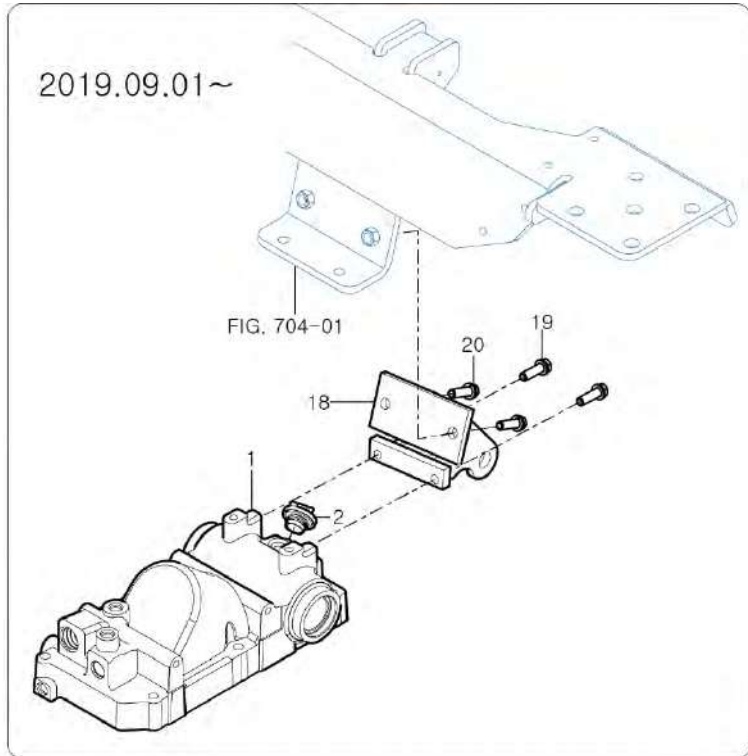
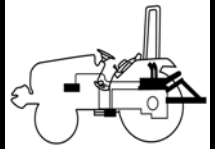
Dako 19H

LIFT ARM

P1

YEAR

2017



NOTE

FIG 603

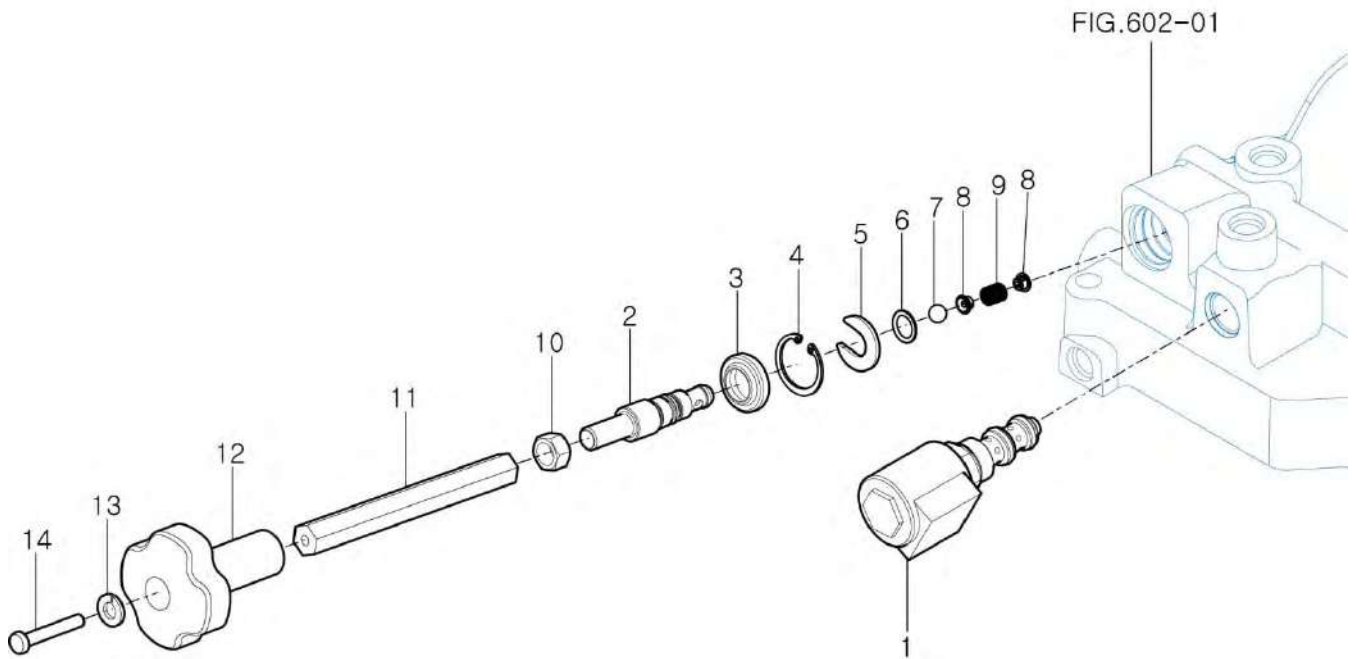
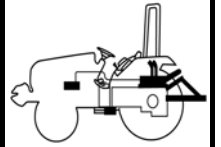
Dako 19H

FLOW CONTROL VALVE

P1

YEAR

2017



NOTE

FIG 604

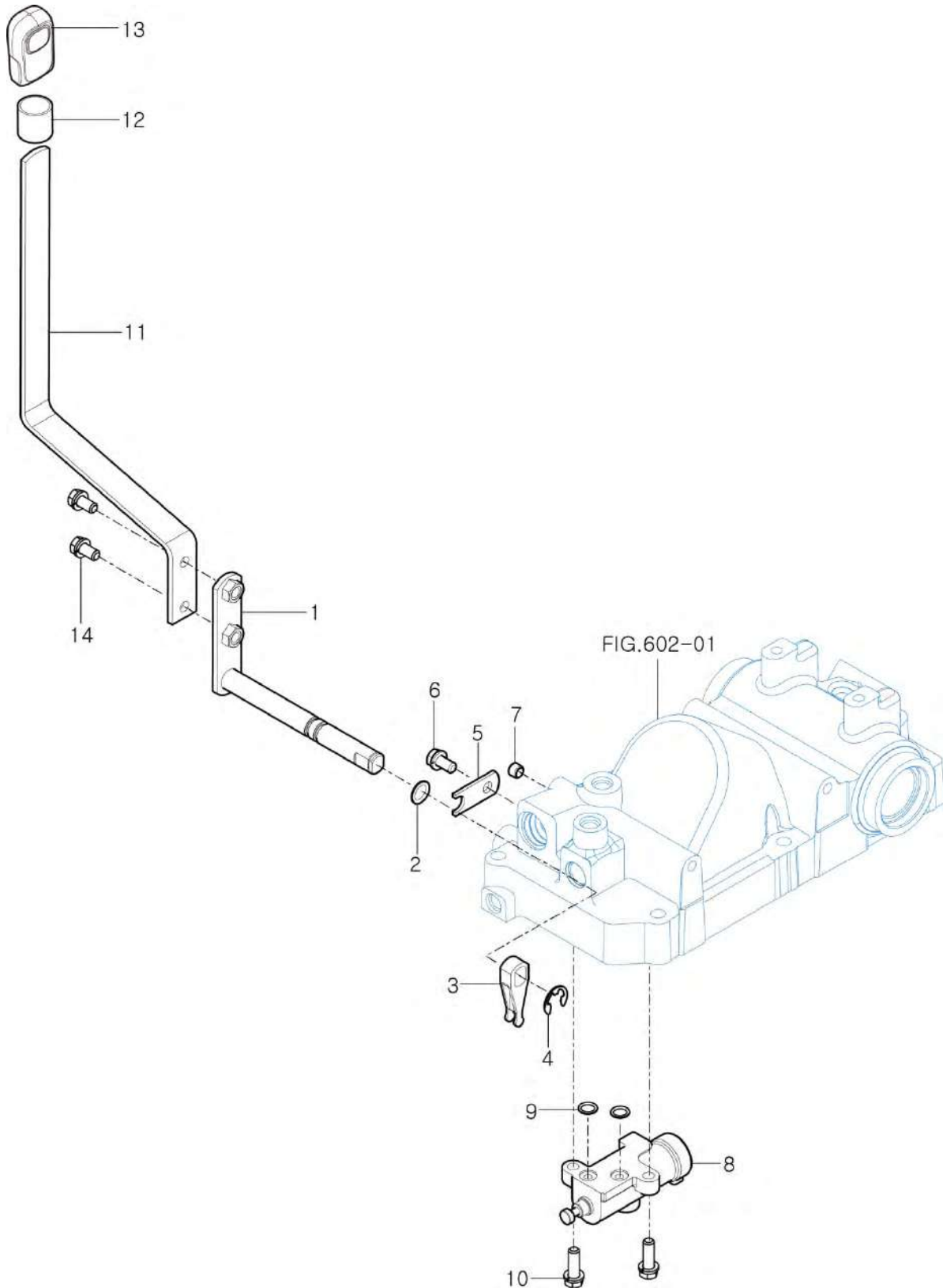
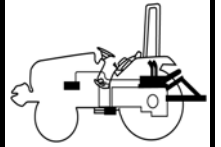
Dako 19H

MAIN CONTROL VALVE

P1

YEAR

2017



NOTE

FIG 605

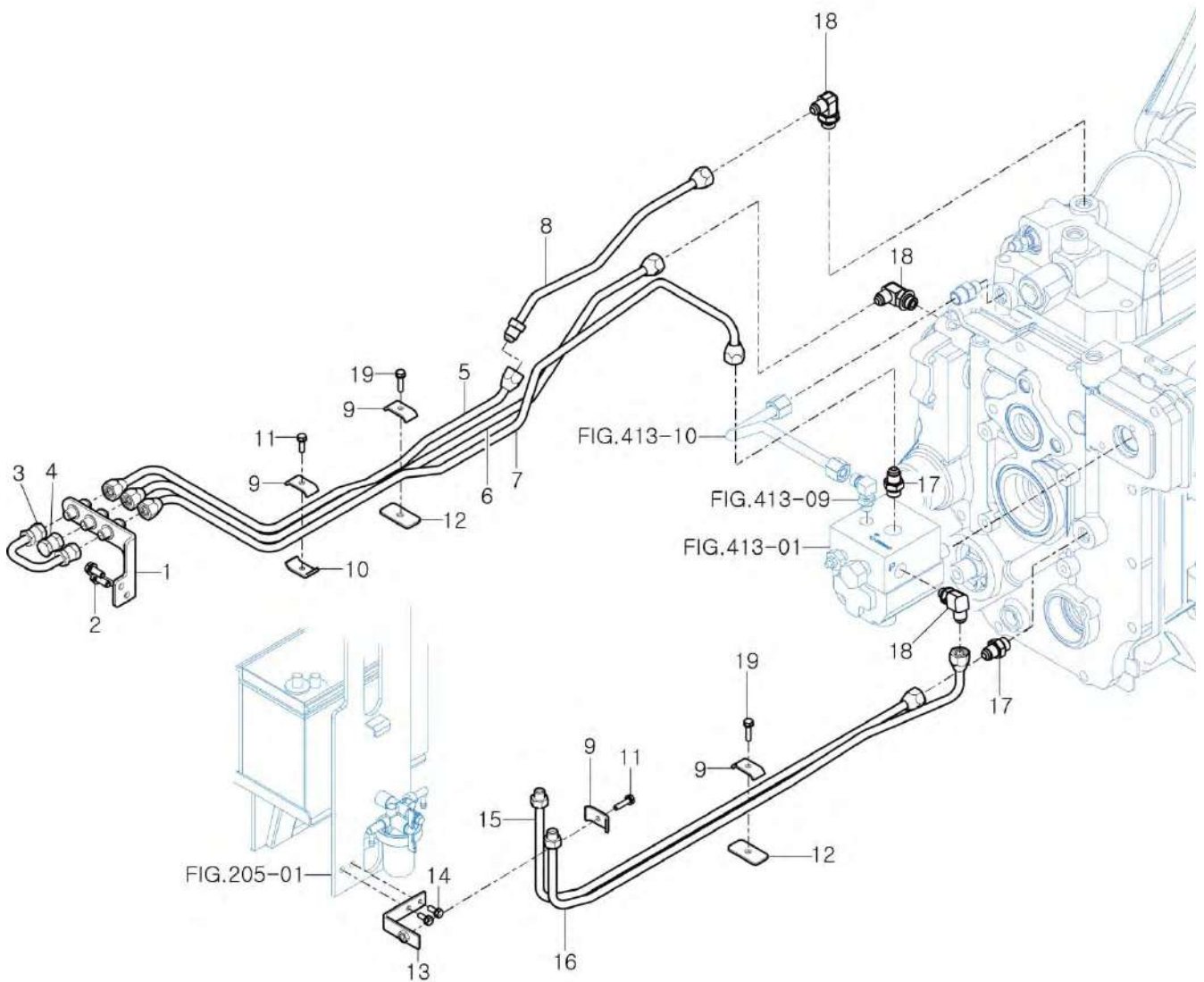
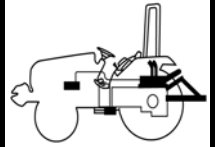
Dako 19H

HYDRAULIC SUB

P1

YEAR

2017



NOTE

FIG 606

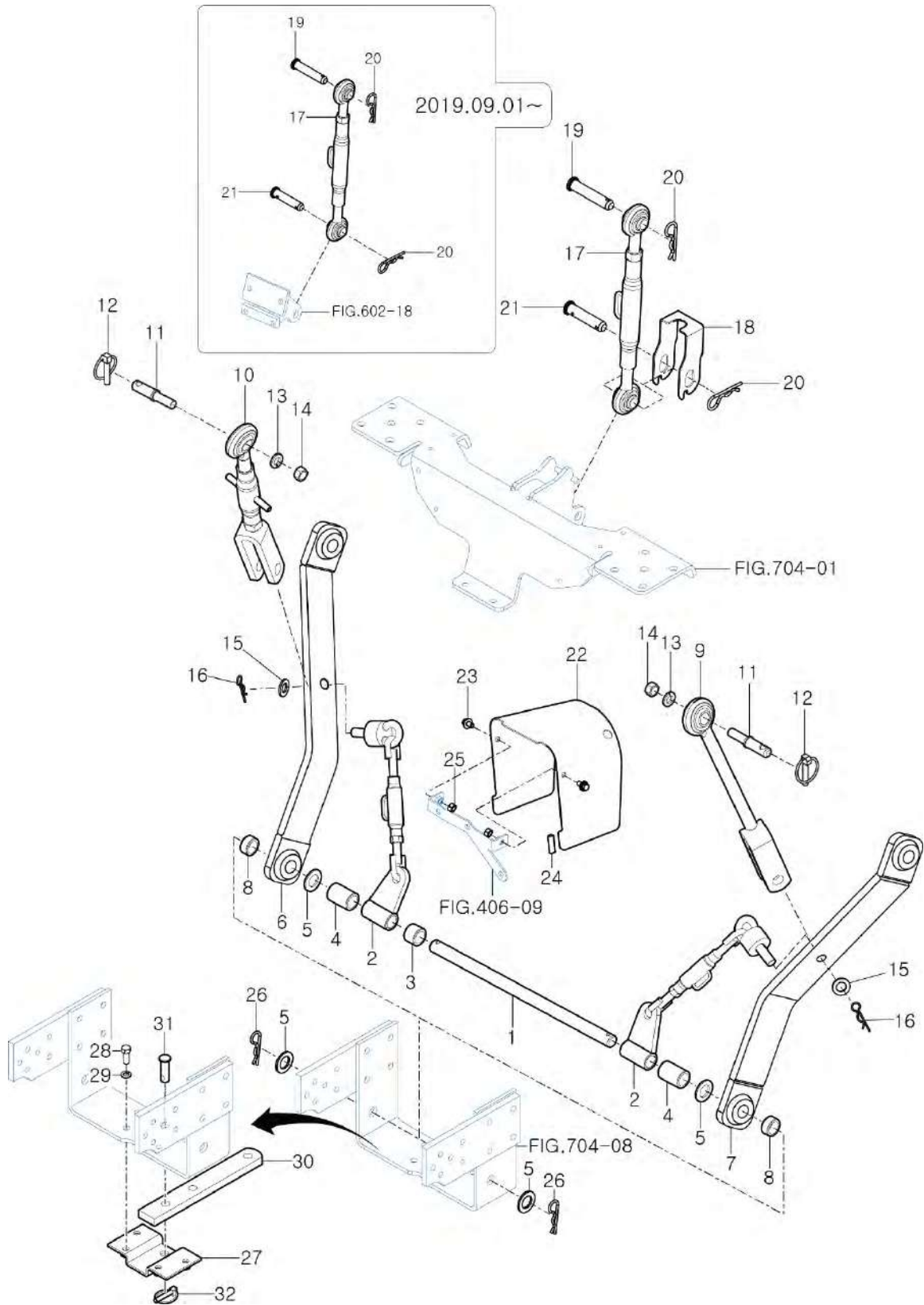
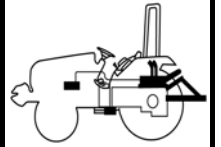
Dako 19H

HITCH & 3-POINT LINKAGE

P1

YEAR

2017



NOTE

FIG 607

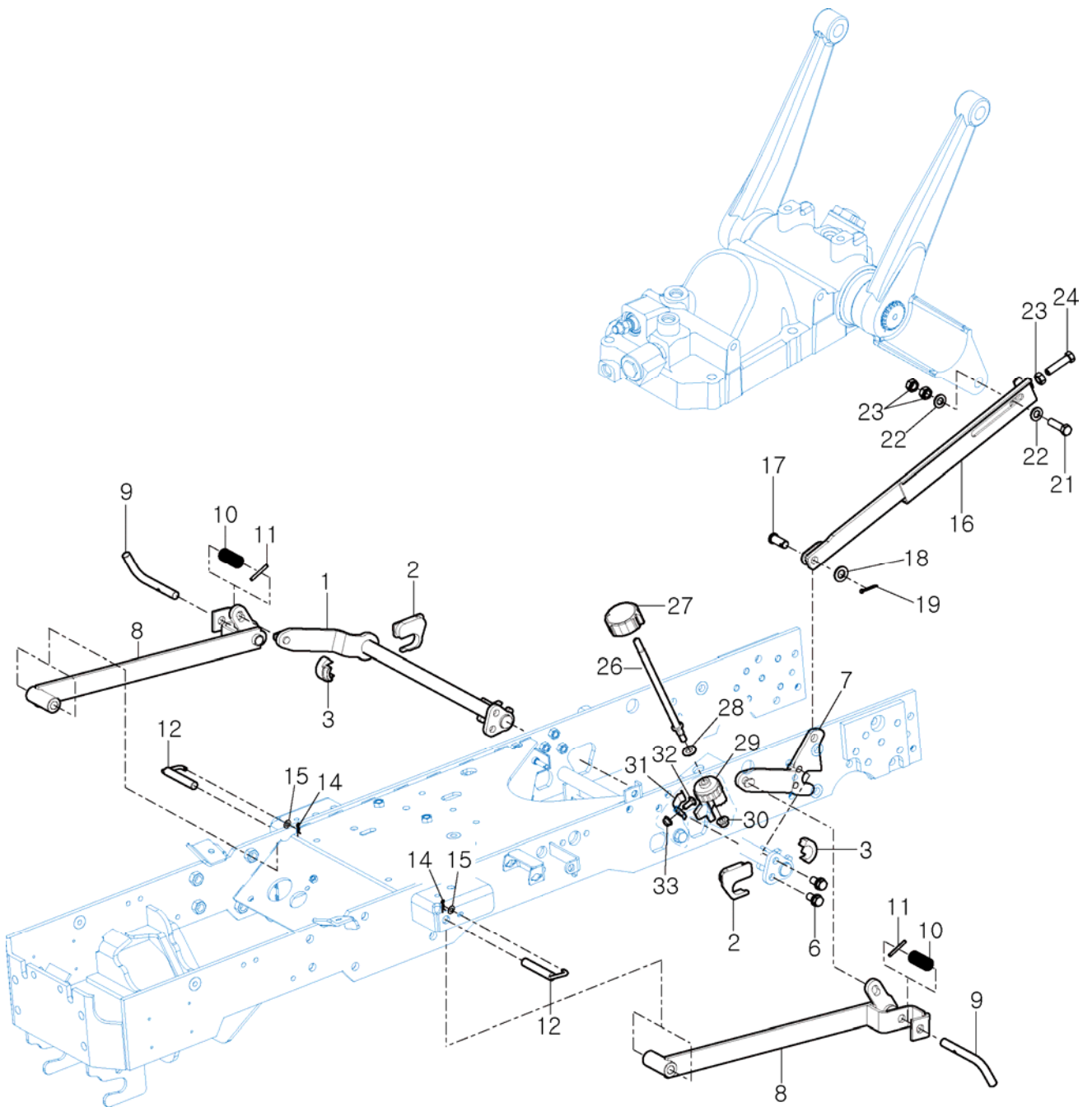
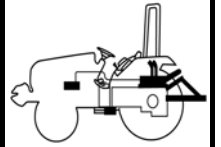
Dako 19H

MID MOWER

P1

YEAR

2017



NOTE

FIG 701

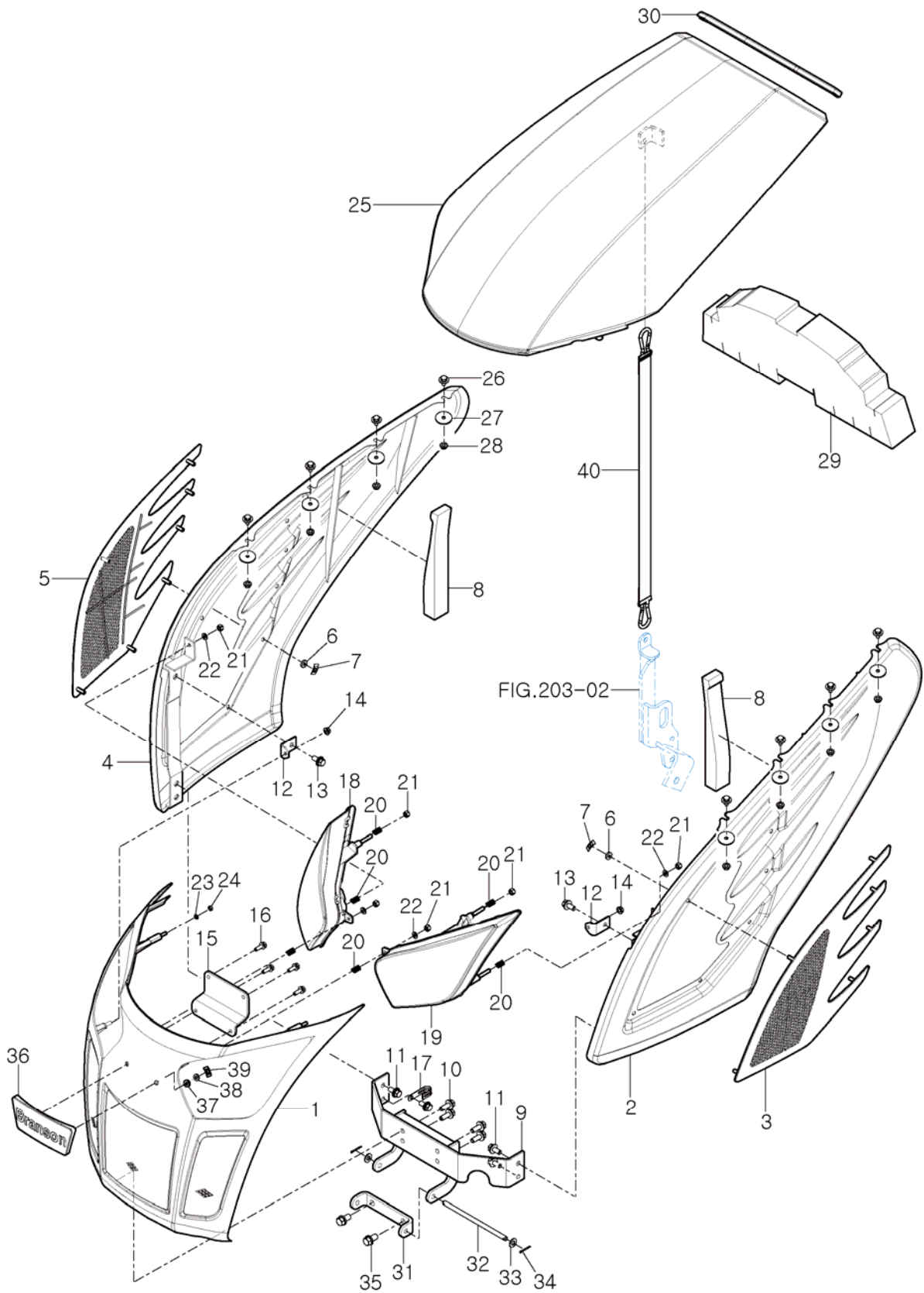
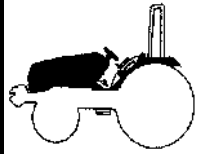
Dako 19H

BONNET

P1

YEAR

2017



NOTE

FIG 702

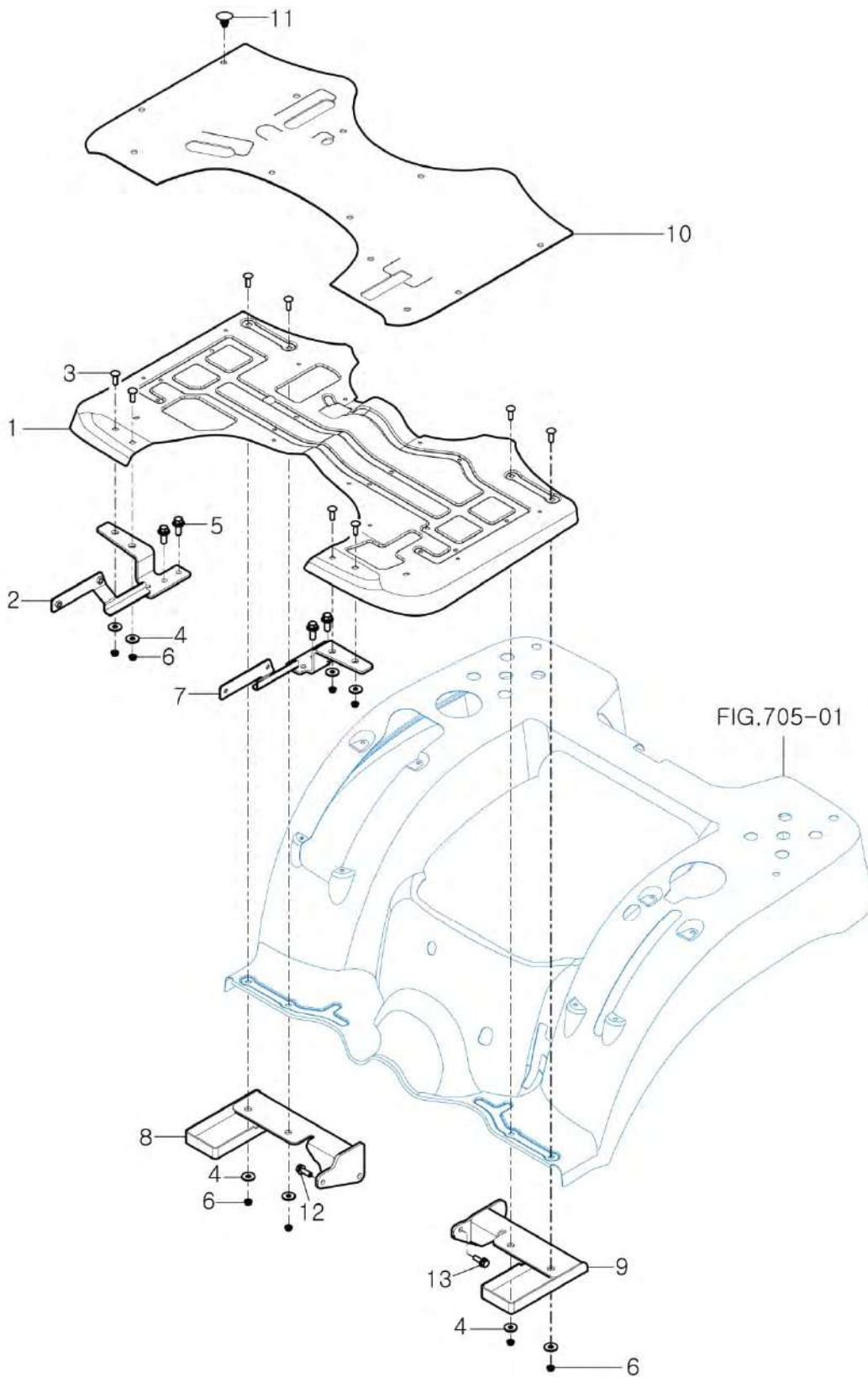
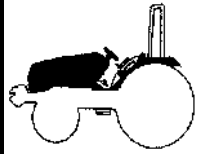
Dako 19H

FLOOR

P1

YEAR

2017



NOTE

FIG 703

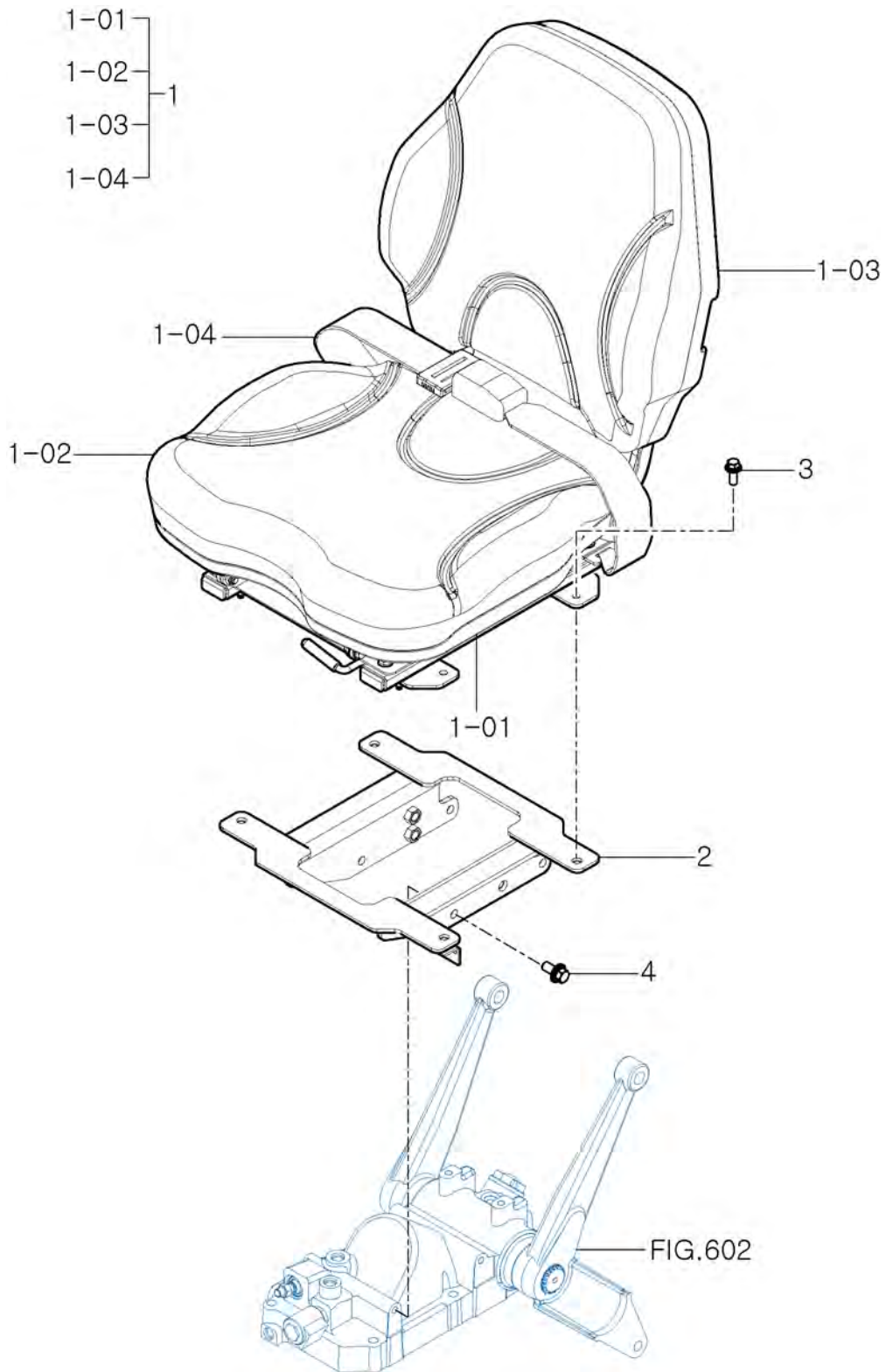
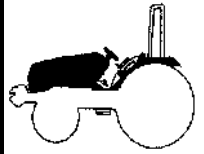
Dako 19H

SEAT

P1

YEAR

2017



NOTE

FIG 704

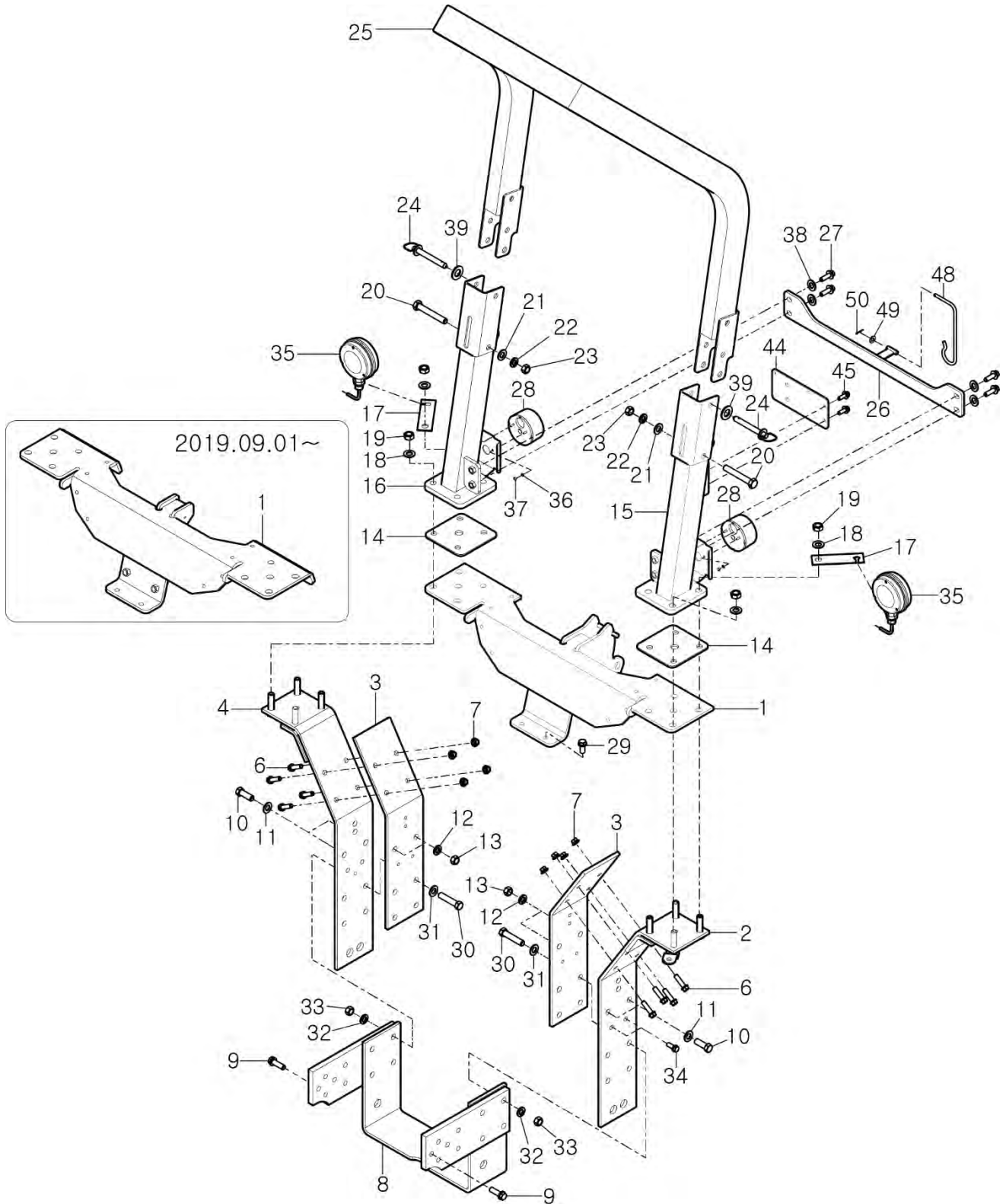
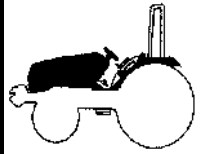
Dako 19H

ROPS

P1

YEAR

2017



NOTE

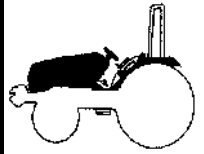
FIG 705

LEVER COVER & FENDER

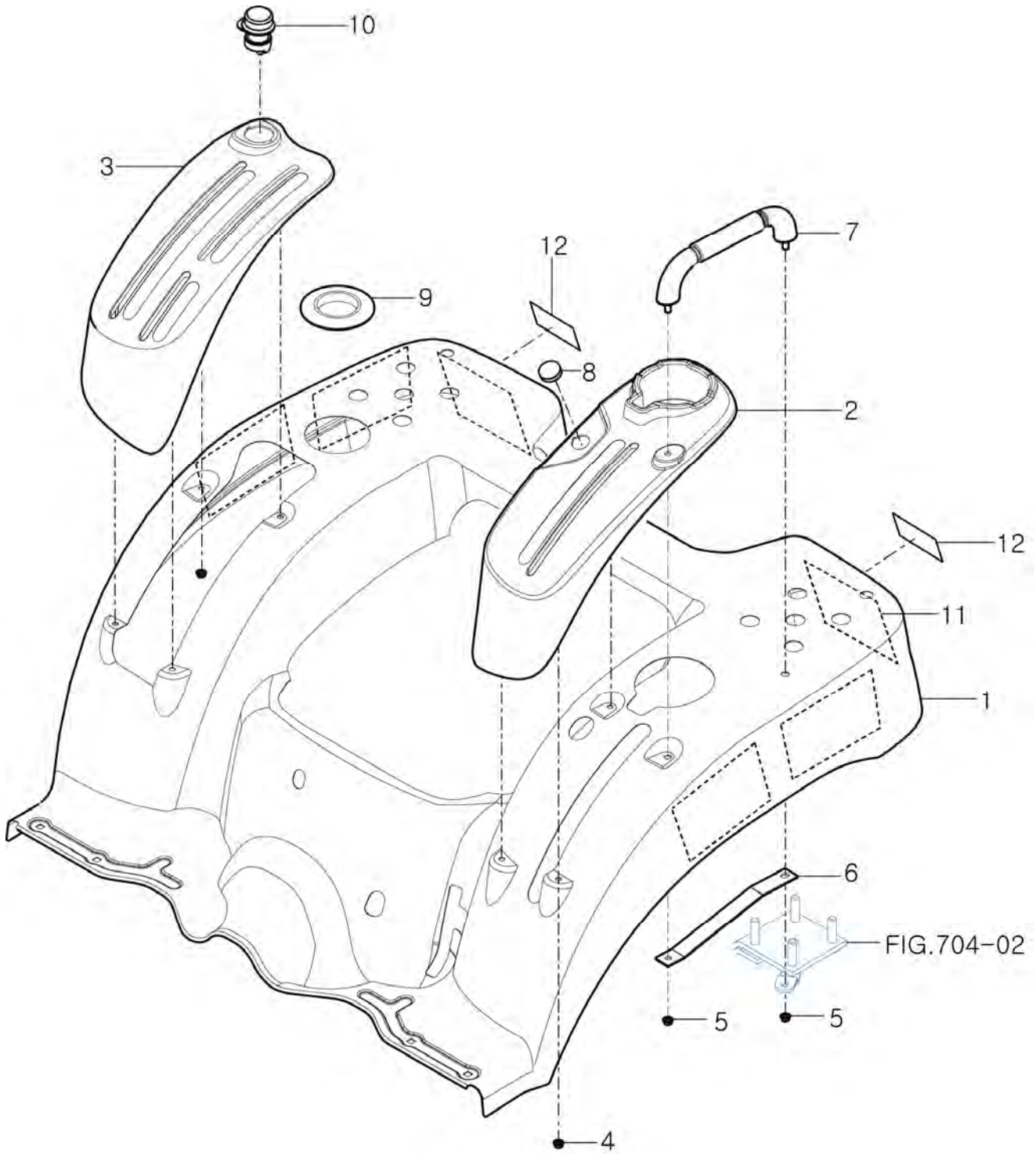
P1

YEAR

2017



Dako 19H



NOTE

FIG 706

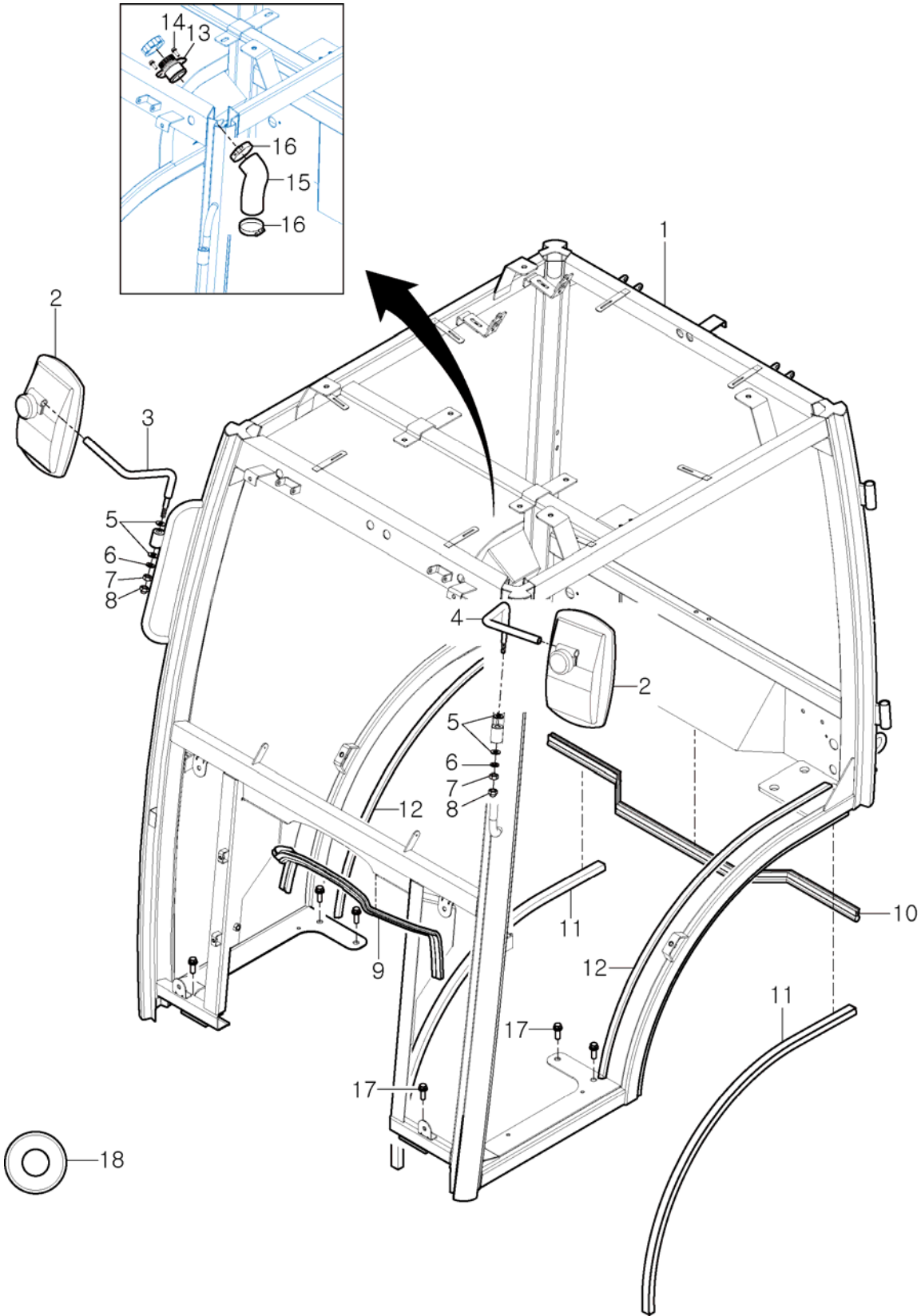
Dako 19H

REARVIEW MIRRORS

P1

YEAR

2017



NOTE

CABIN OPTION

FIG 707

FRONT GLASS

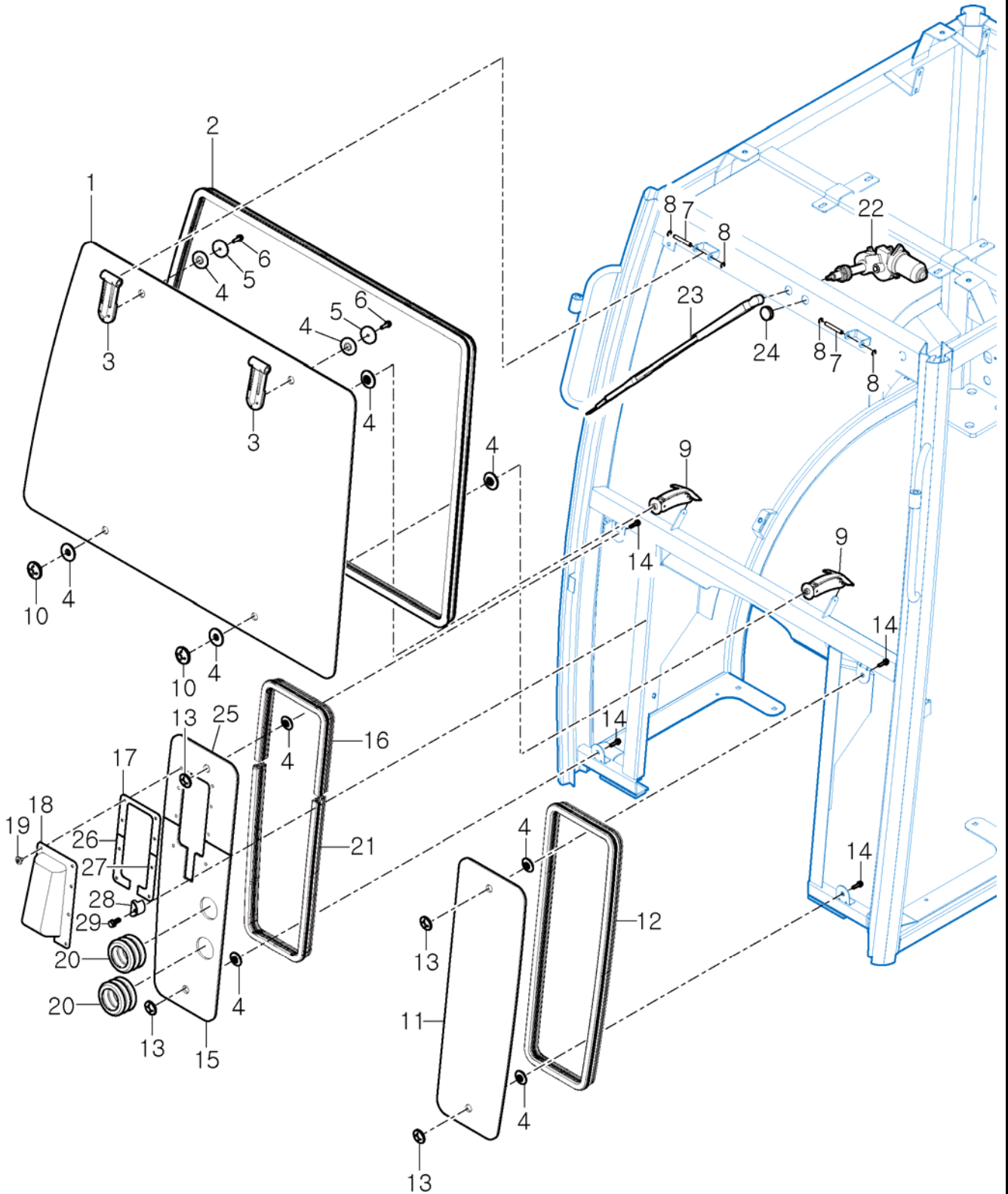
P1

YEAR

2017



Dako 19H



NOTE

CABIN OPTION

FIG 708

DOOR-LH

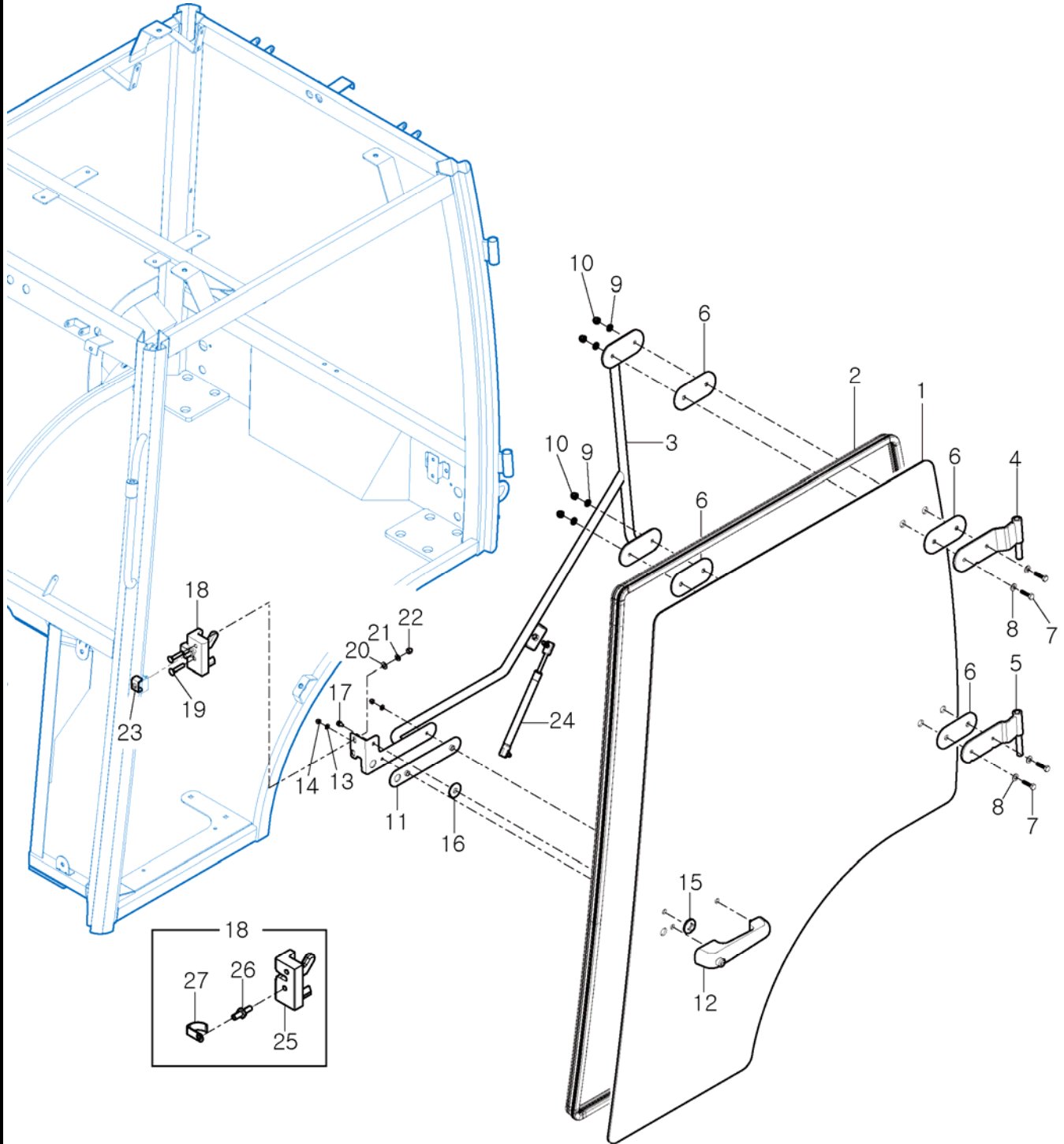
P1

YEAR

2017



Dako 19H



NOTE

CABIN OPTION

FIG 709

DOOR-RH

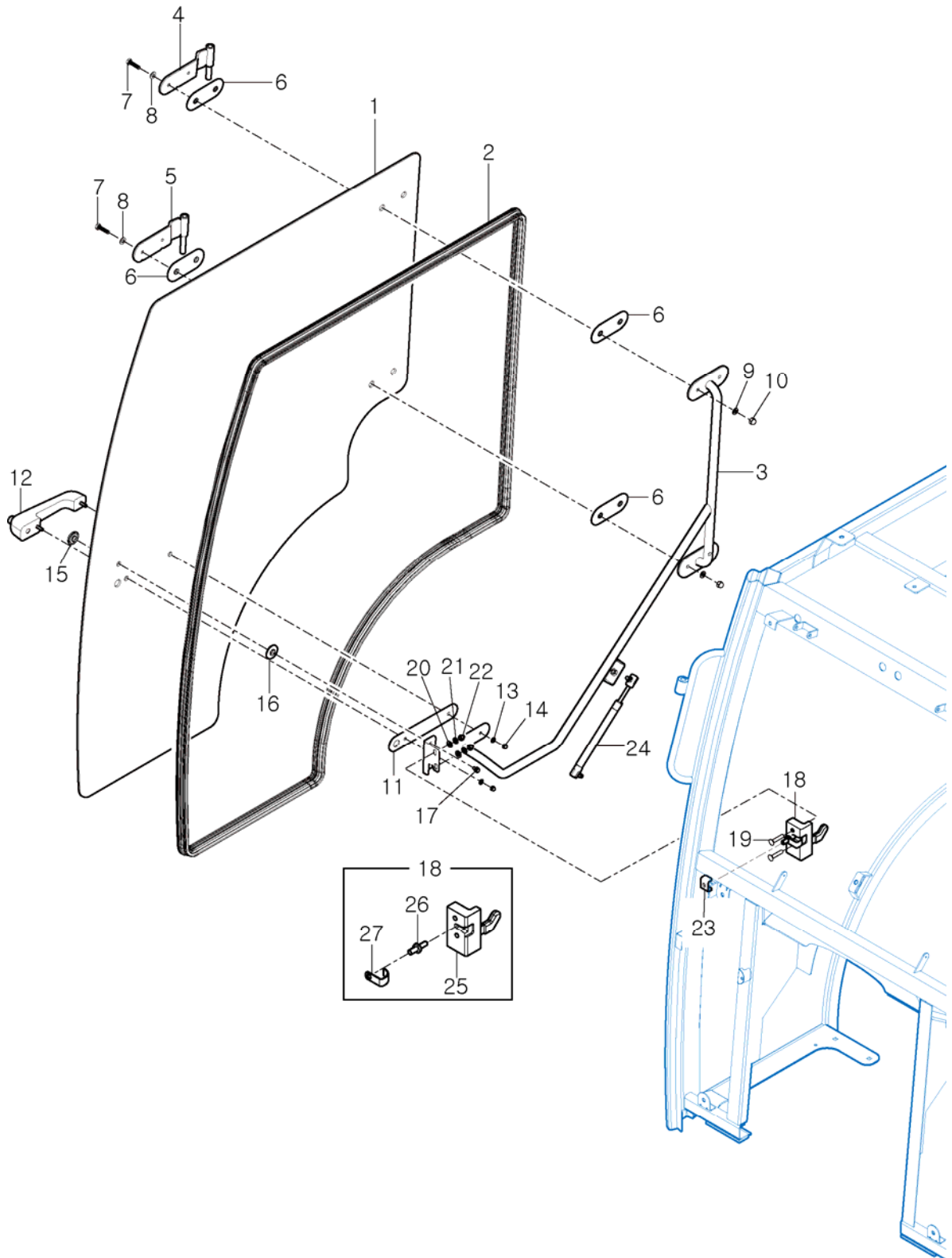
P1

YEAR

2017



Dako 19H



NOTE

CABIN OPTION

FIG 710

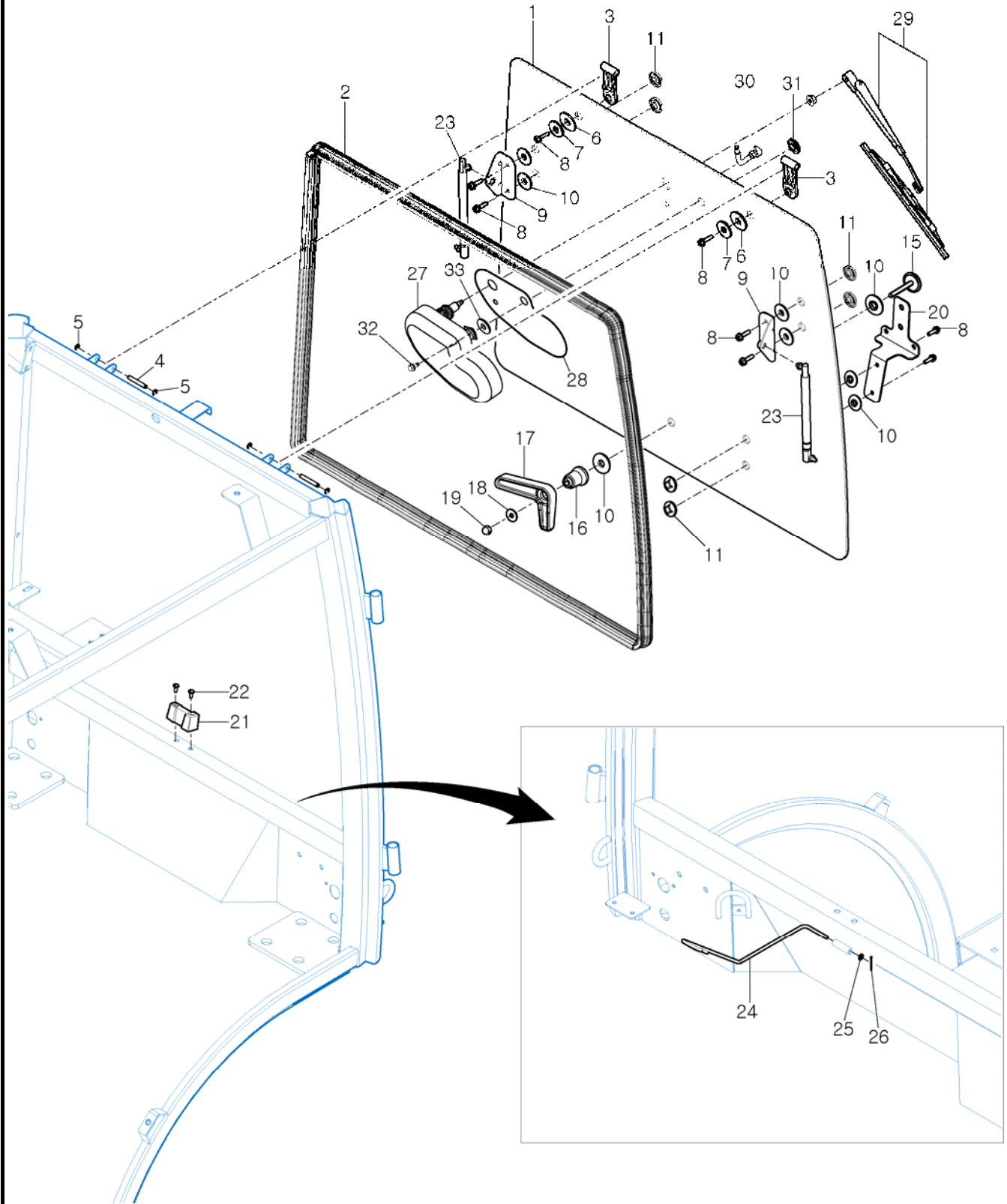
Dako 19H

REAR GLASS

P1

YEAR

2017



NOTE

CABIN OPTION

FIG 711

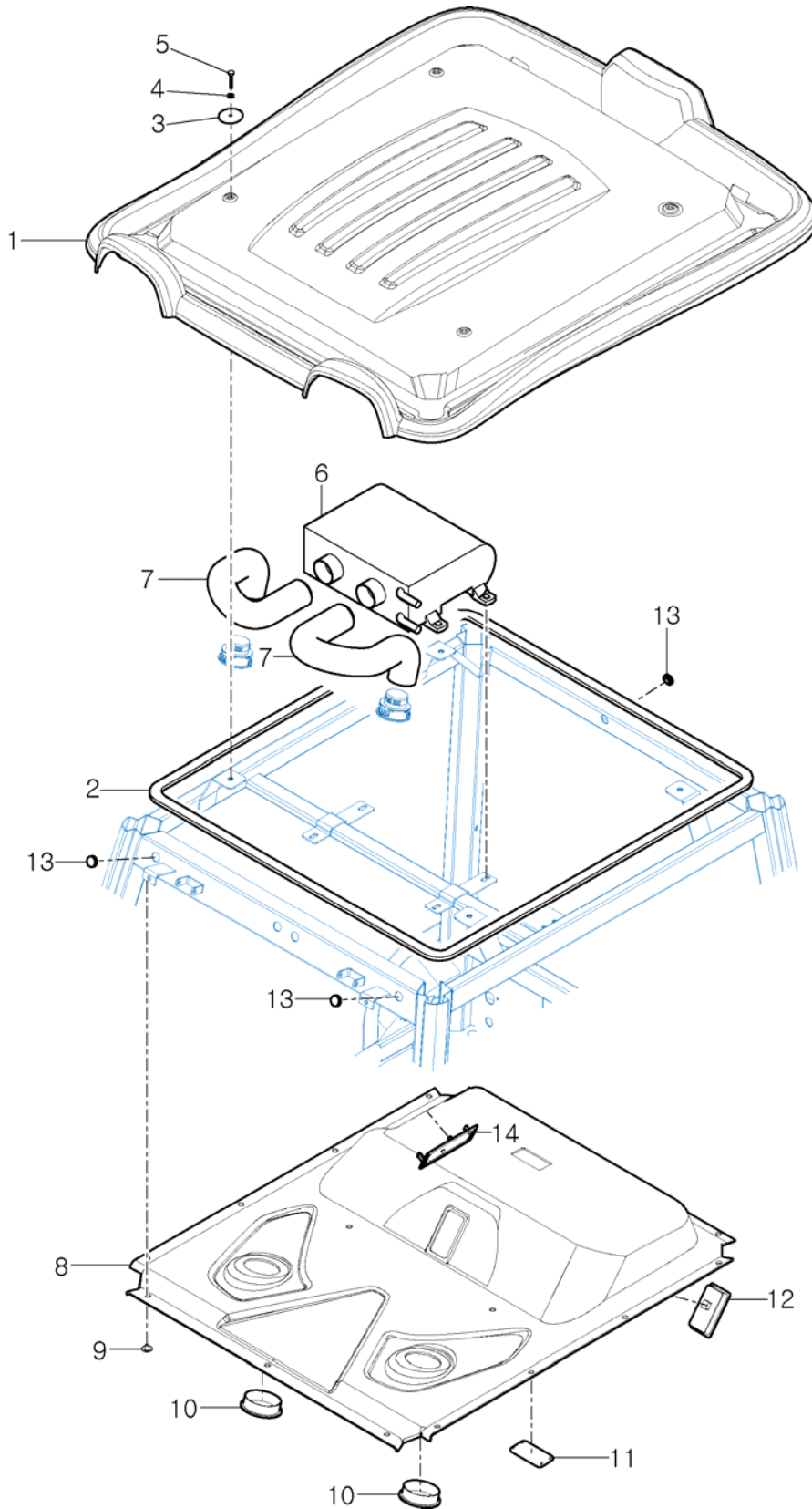
Dako 19H

ROOF

P1

YEAR

2017



NOTE

CABIN OPTION

FIG 712

WORKING LAMP & FENDER COVER

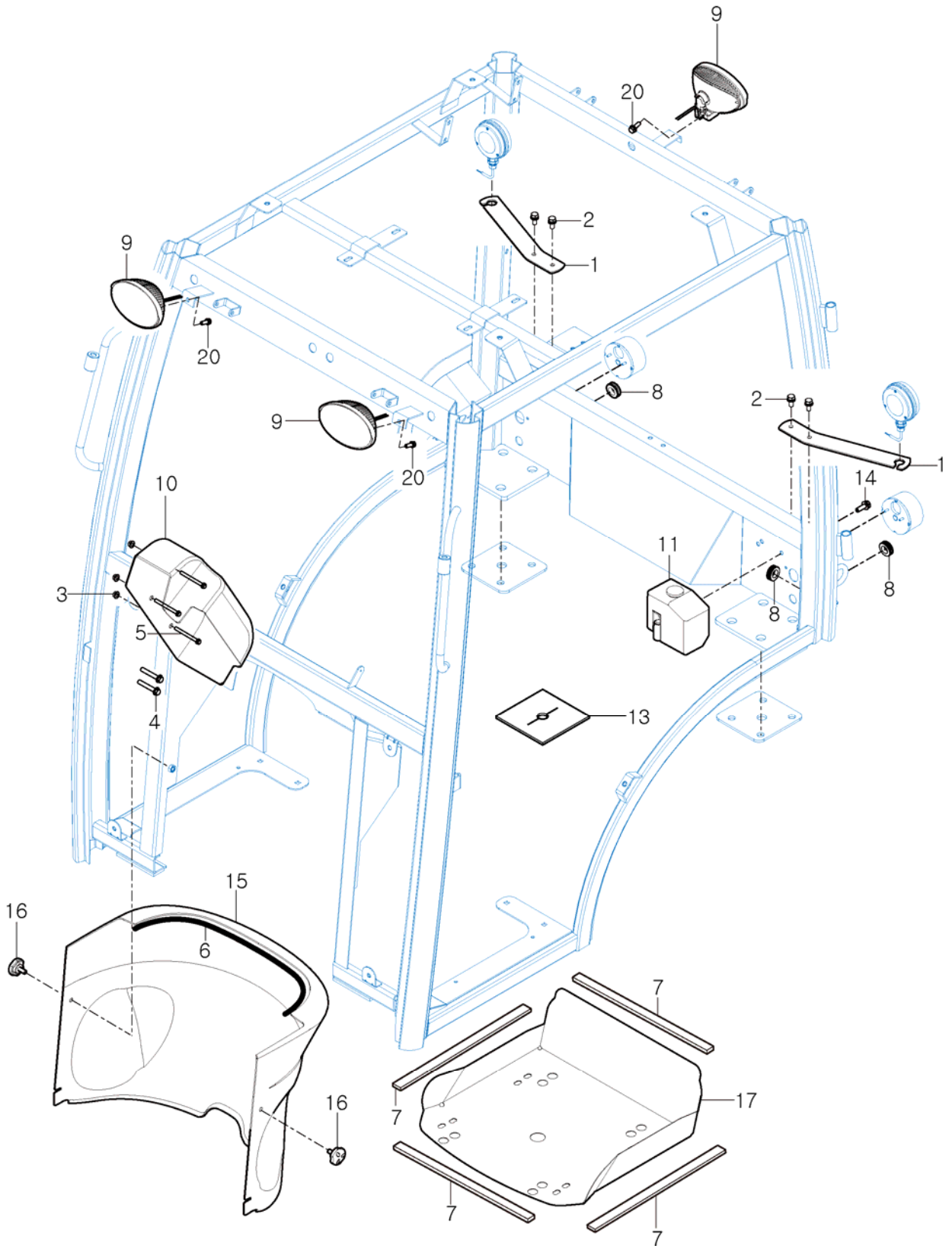
P1

YEAR

2017



Dako 19H



NOTE

CABIN OPTION

FIG 713

HEATER SUB

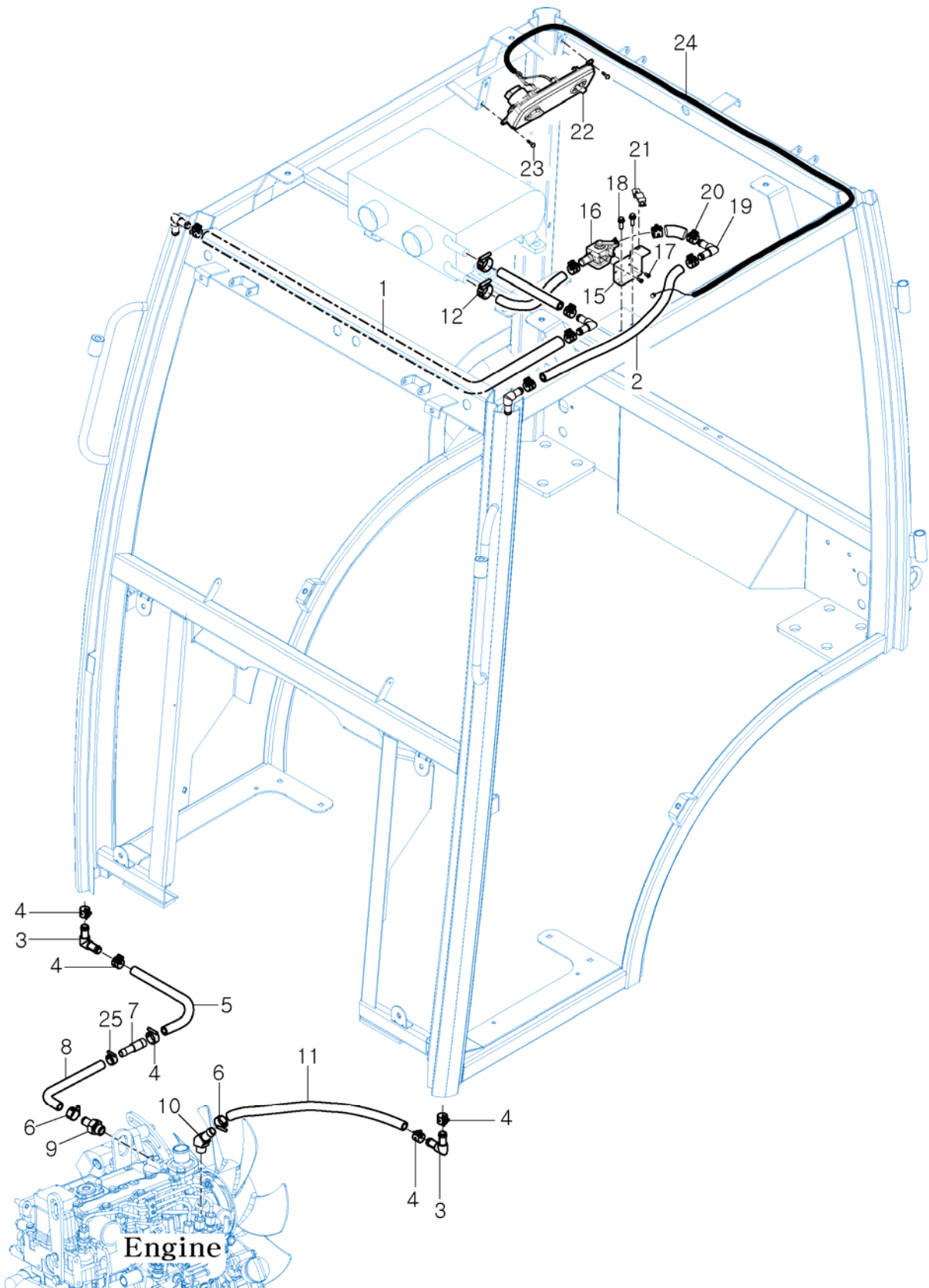
P1

YEAR

2017



Dako 19H



NOTE

CABIN OPTION

FIG 714

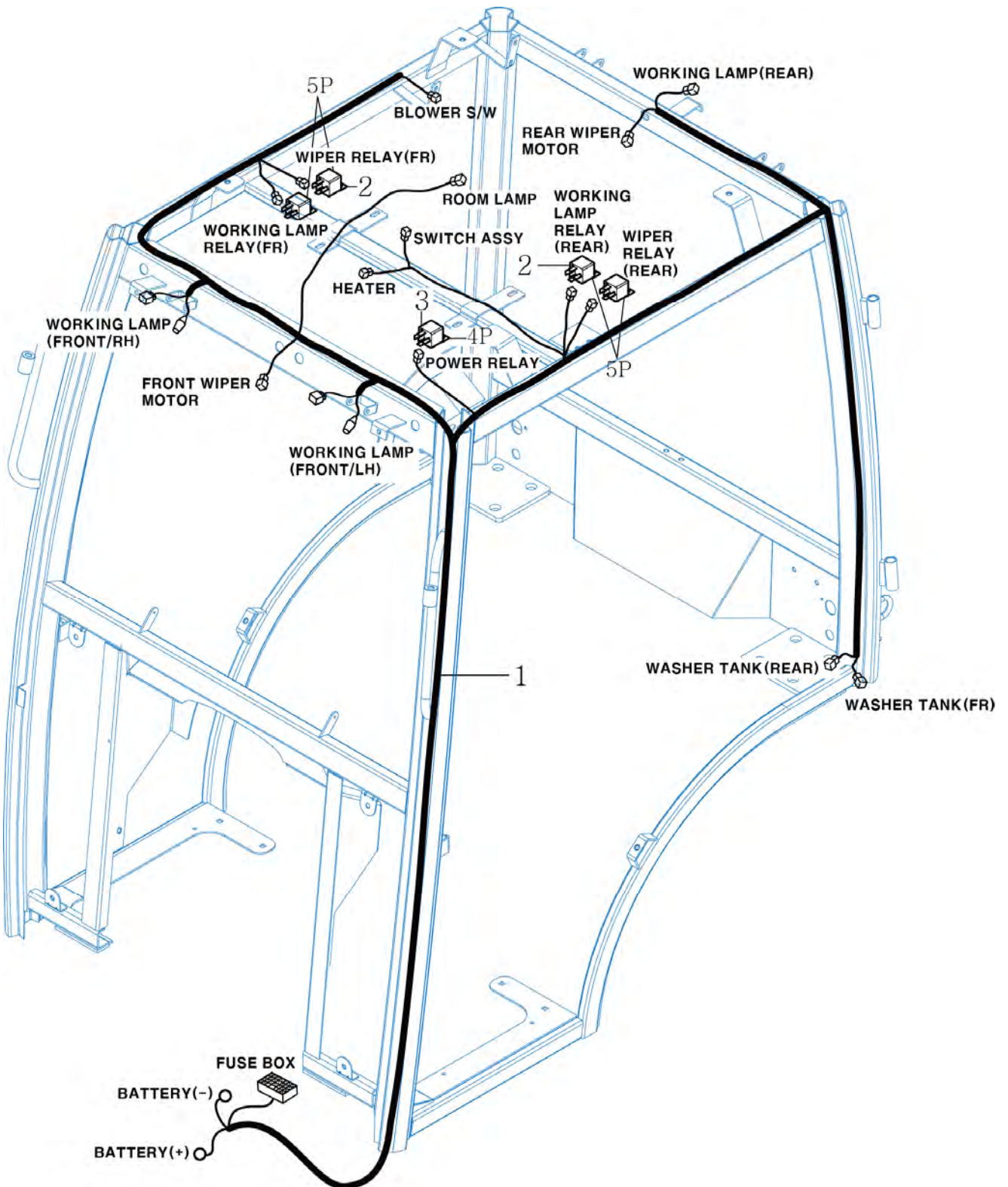
CABIN HARNESS

Dako 19H

P1

YEAR

2017



NOTE

CABIN OPTION


FIG 714		CABIN HARNESS			P1	YEAR	
						2017	
KEY NO.	PART NO.	DESCRIPSTION	SPEC.	QTY.	REPAIR	EFFECTIVE DATE	REMARKS
714 001	11297038040	HARNESS , CABIN		1			
714 002	14946212901	RELAY 5P		4			
714 003	19026493120	RELAY , 4P		1			
NOTE	CABIN OPTION						

FIG 801

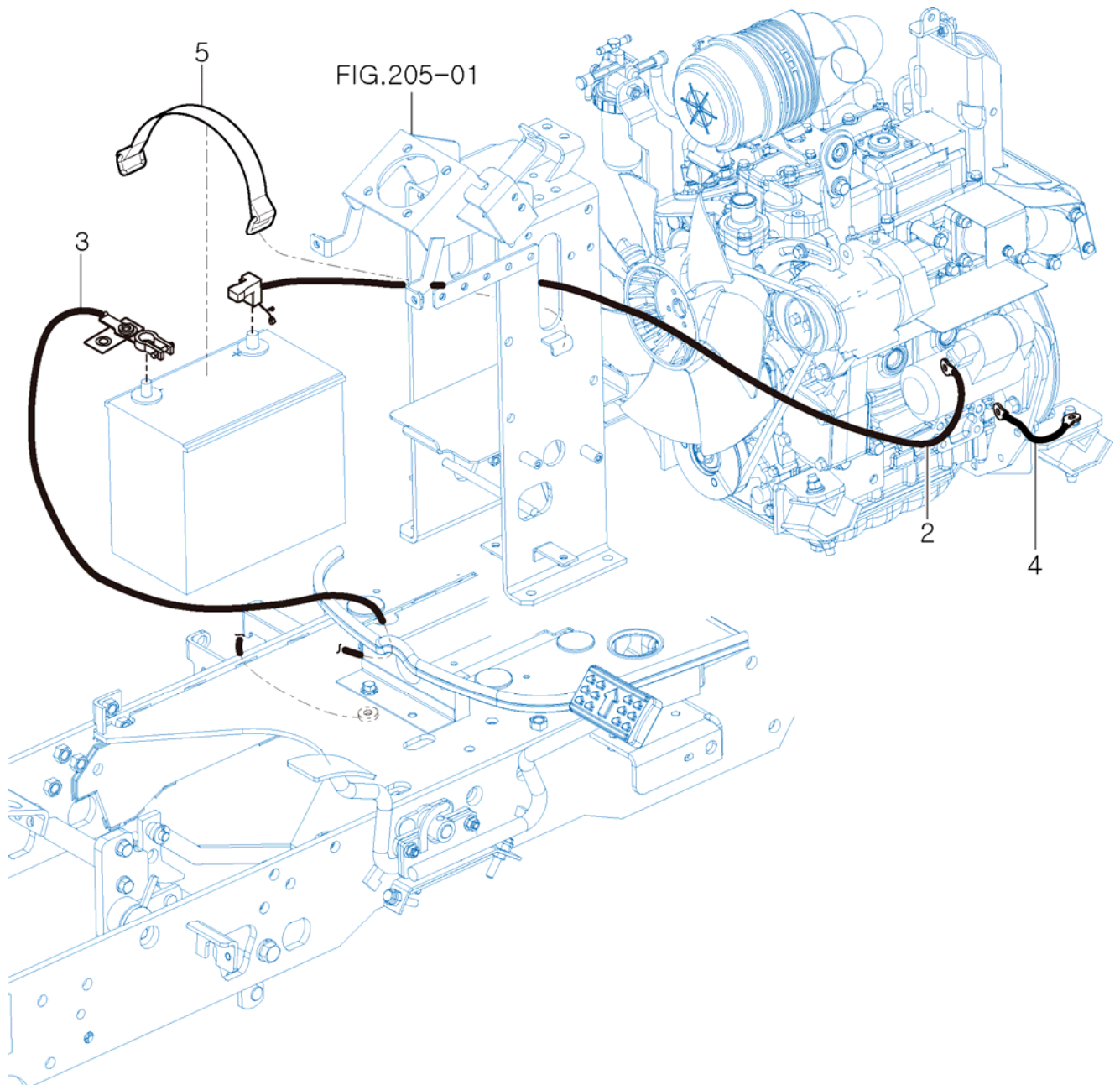
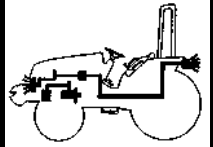
Dako 19H

BATTERY MOUNTING

P1

YEAR

2017



NOTE

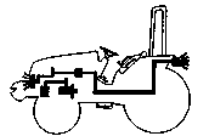
FIG 802

INSTRUMENT PANEL

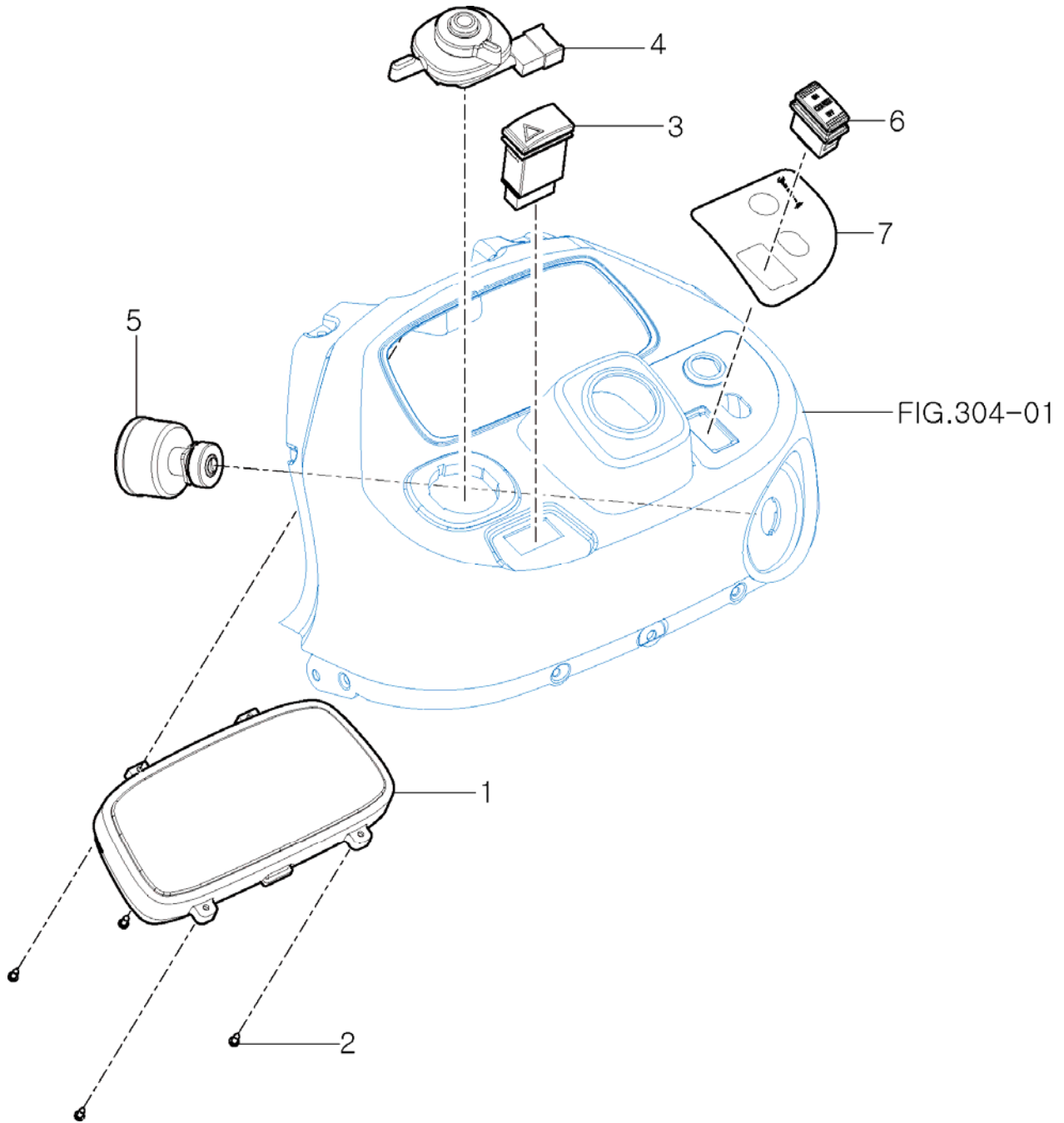
P1

YEAR

2017



Dako 19H



NOTE

FIG 803

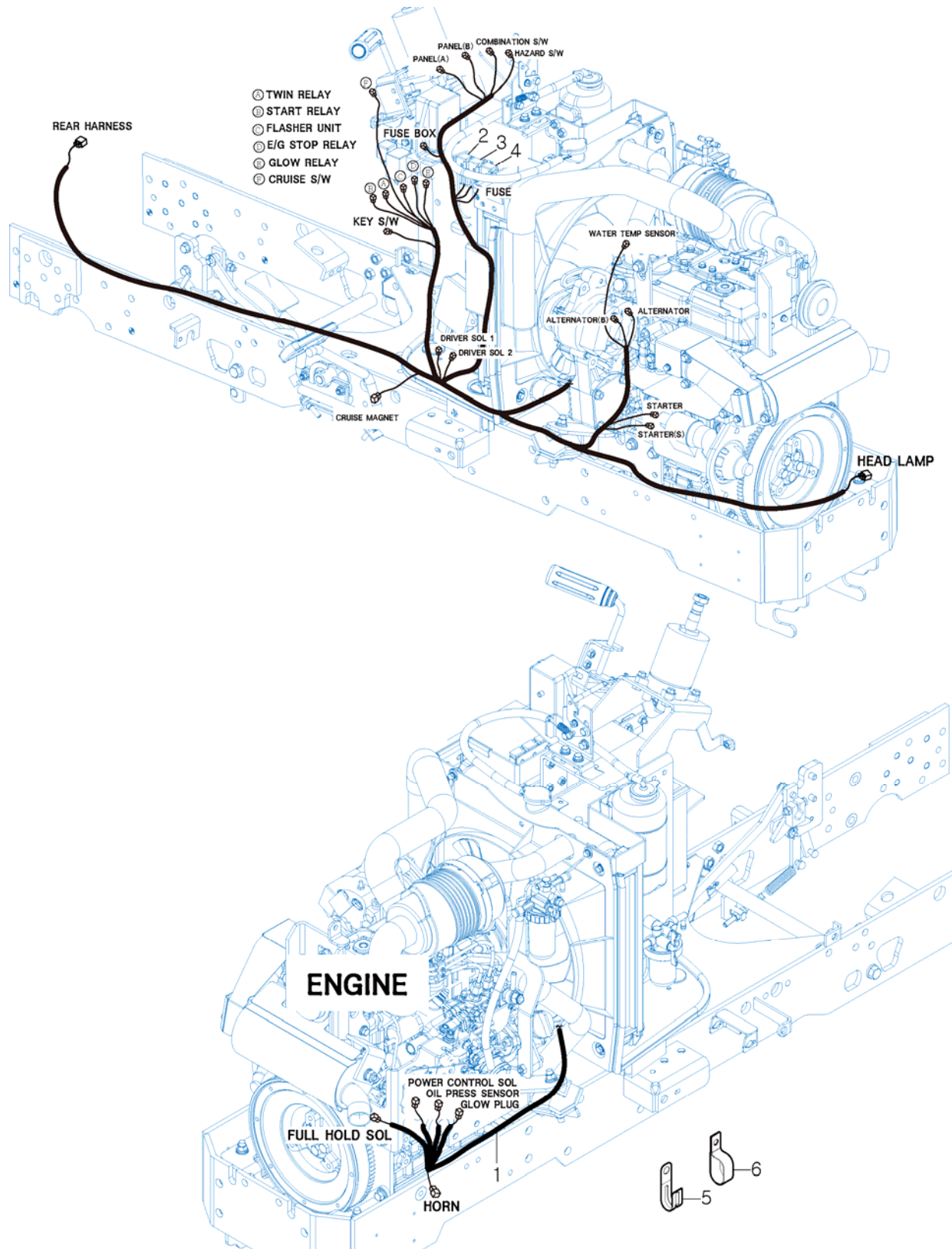
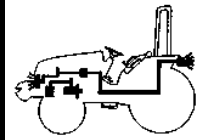
HARNESS(1)

Dako 19H

P1

YEAR

2017



NOTE

FIG 804

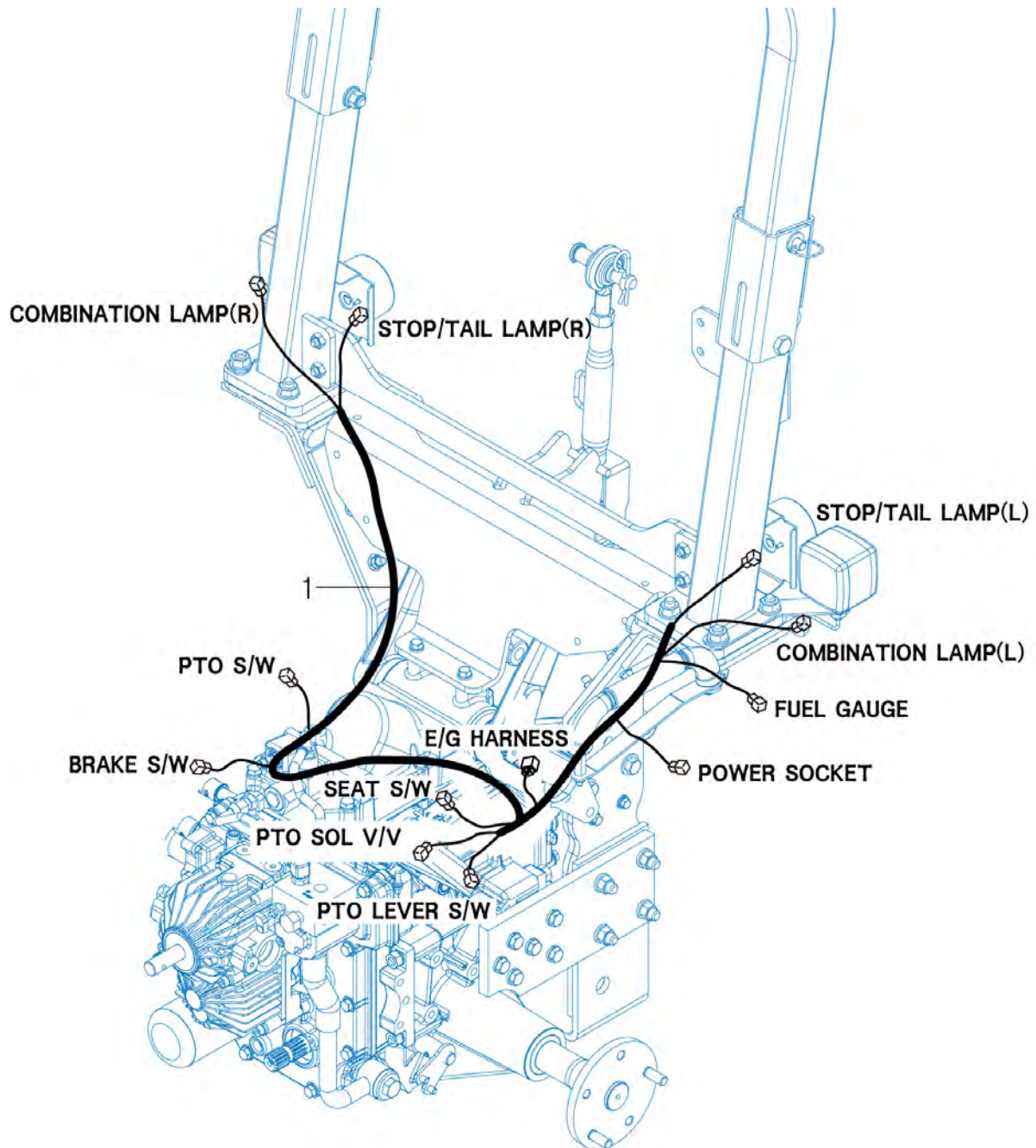
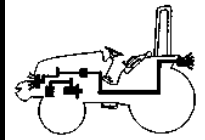
Dako 19H

HARNESS(2)

P1

YEAR

2017



NOTE

FIG 901

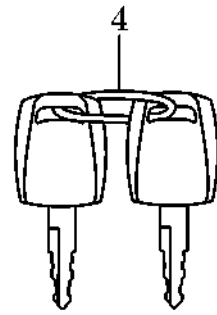
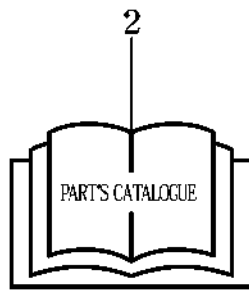
Dako 19H

TOOL & ACCESSORY

P1

YEAR

2017



NOTE

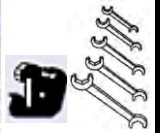
FIG 905

AUXILIARY VALVE KIT(OPTION)

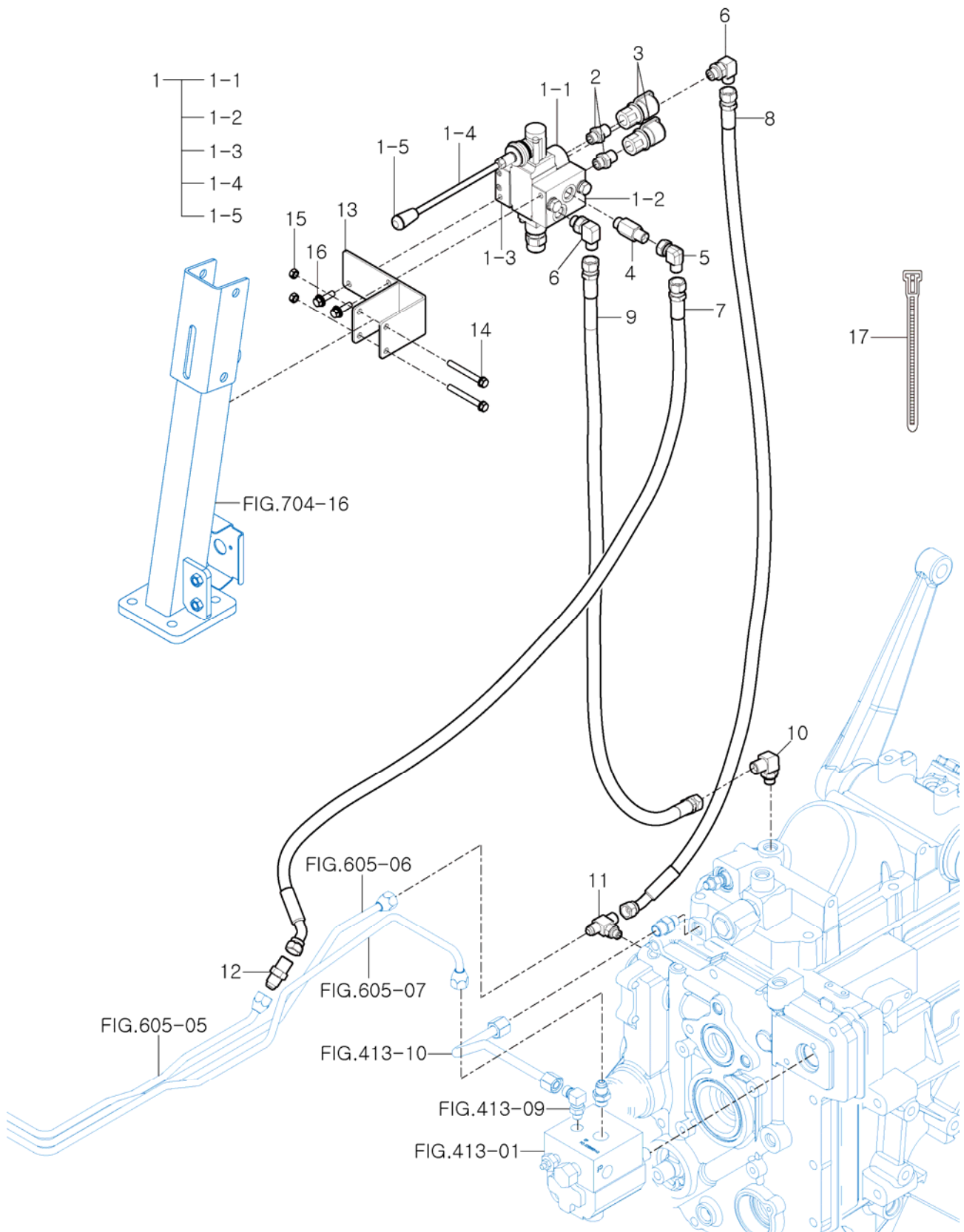
P1

YEAR

2017



Dako 19H



NOTE

