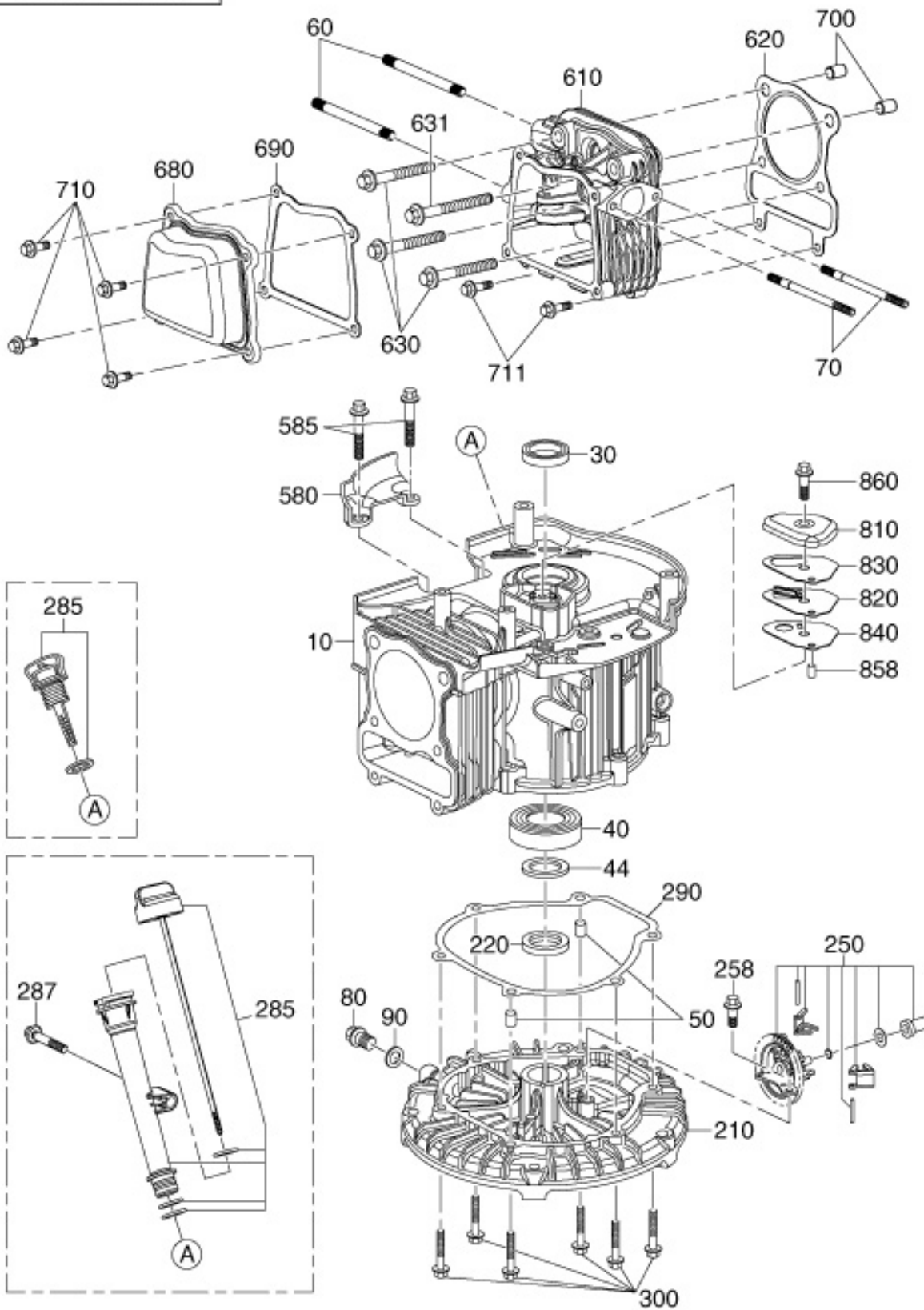


# 1 CRANK CASE

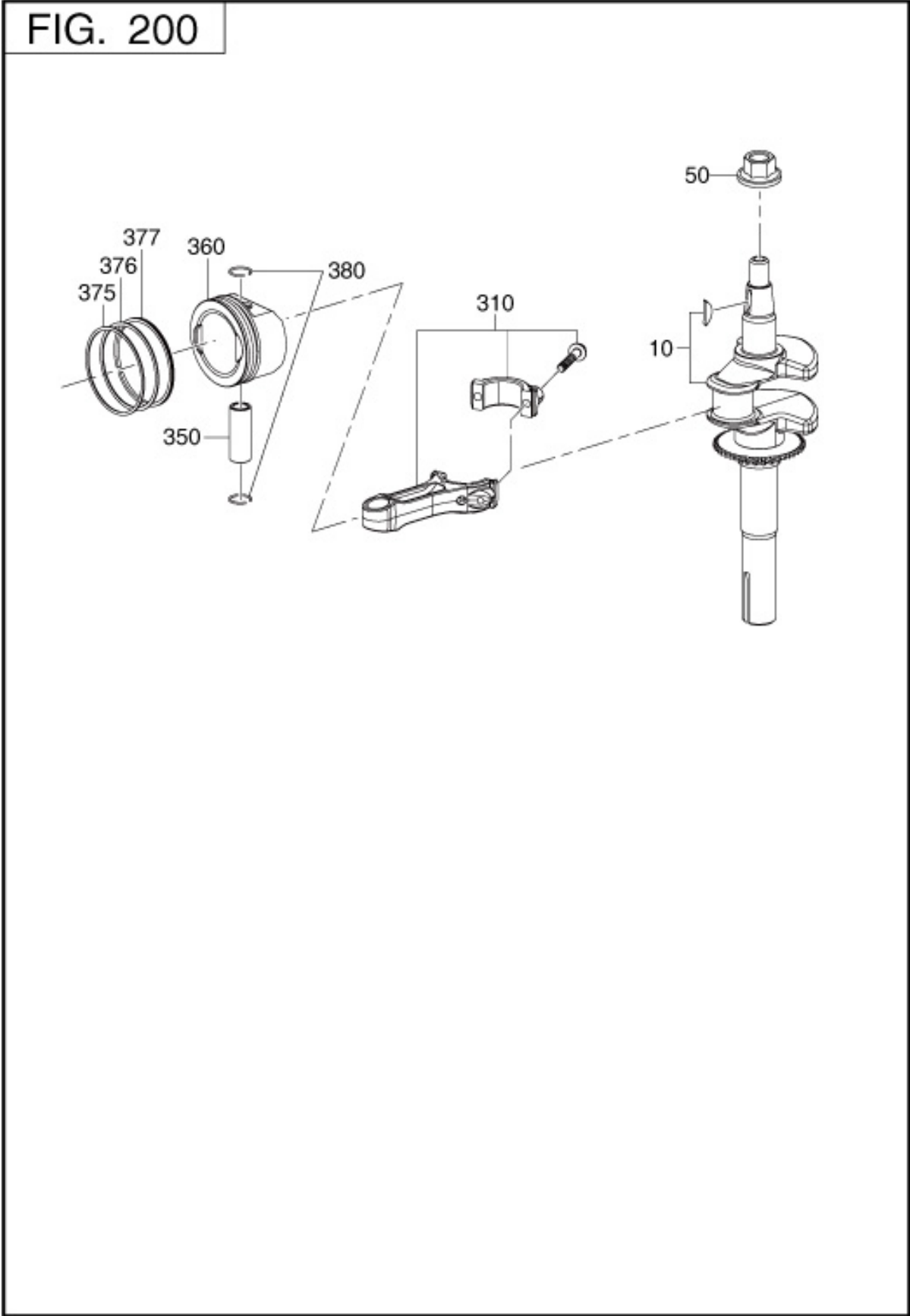
**FIG. 110**



REF.	PART NUMBER	PART NAME	CODE NO.	QTY	REMARKS	INTERCHANGE
10	11310Z02031000	CRANKCASE ASSY	-	1		
30	90682Z02021000	OIL SEAL	-	1	25DX35DX7B	
40	905480205CL	BALL BEARING	-	1		
44	90408Z02011000	WASHER	-	1	37DX27. 4DX1T	
50	90502081000	DOWEL PIN	-	2	8DX6. 5DX10L	
60	90204Z02041000	STUD	-	2		
70	90204Z02031000	STUD	-	2	M6X100L	
80	11007Z01011000	OIL DRAIN PLUG	-	1		
90	90408Z01011000	WASHER	-	1	10DX15. 8DX1. 5T	
210	11411Z02021000	CRANKCASE COVER	-	1		
220	90682Z02011000	OIL SEAL	-	1	27DX42DX7B	
250	16400Z02032000	GOVERNOR GEAR ASSY	-	1		
258	900070616A1	BOLT	-	1	M6X16L	
285	15010Z020210Q2	DIPSTICK ASSY	-	1		
287	900070630A1	BOLT	-	1	M6X30L	
290	11001Z02013000	SUMP GASKET	-	1		
300	900070630A1	BOLT	-	6	M6X30L	
580	19340Z02012000	AIR GUIDE	-	1		
585	900070616A1	BOLT	-	2	M6X16L	
610	12140Z02021000	CYLINDER HEAD ASSY	-	1		
620	12131Z02031000	CYLINDER HEAD GASKET	-	1		
630	12003Z02011000	BOLT	-	3	M8X65L	
631	12003Z02022000	BOLT	-	1	M8X72L	
680	12411Z02021000	VALVE COVER	-	1		
690	12004Z02031000	VALVE COVER GASKET	-	1		12004Z02032000
700	90502101400	DOWEL PIN	-	2	10DX8DX14L	
710	900070614A1	BOLT	-	4	M6X14L	
711	900070625A1	BOLT	-	2	M6X25L	
810	11333Z02022000	BREATHER COVER	-	1		
820	11320Z02012000	BREATHER	-	1		

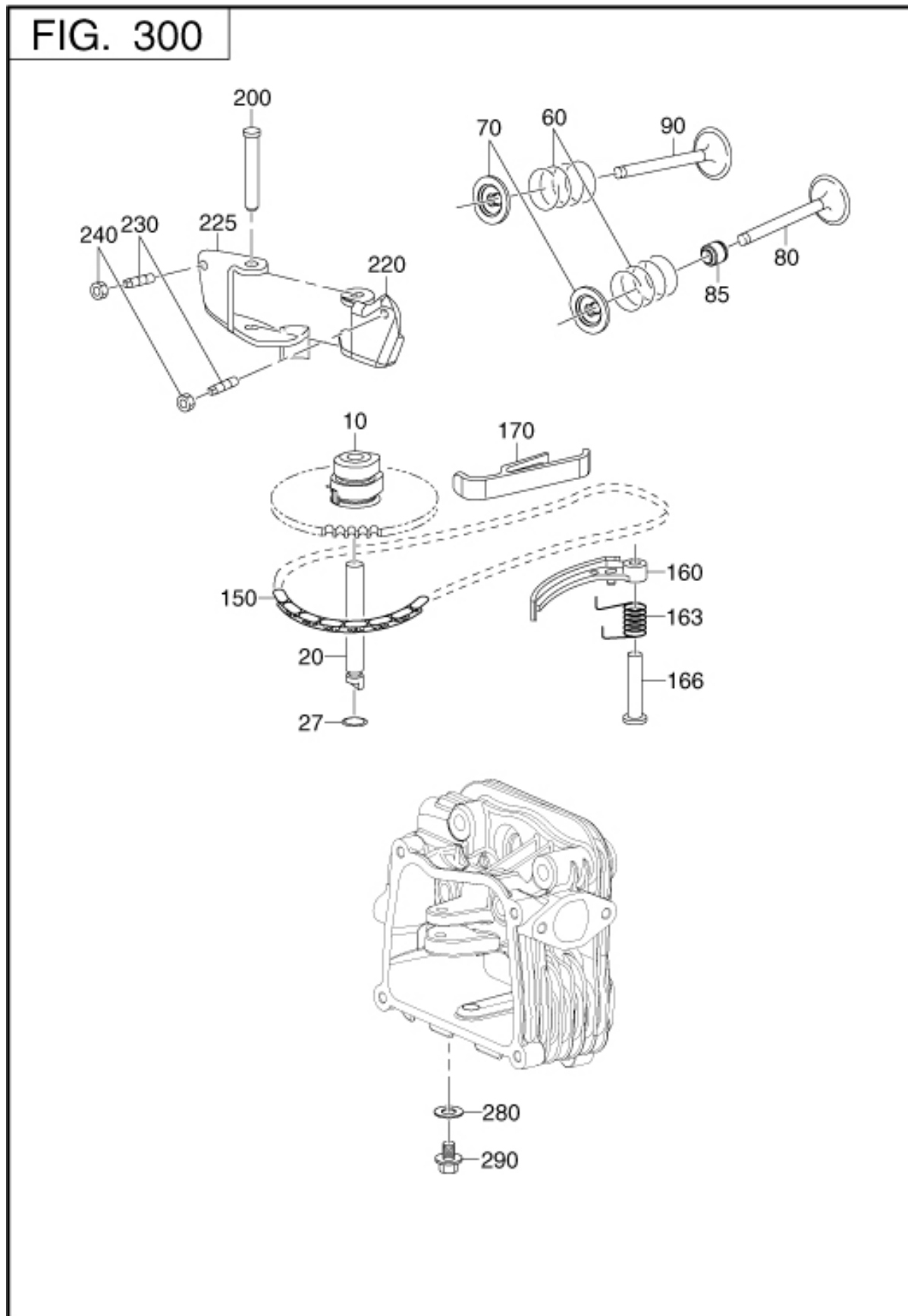
REF.	PART NUMBER	PART NAME	CODE NO.	QTY	REMARKS	INTERCHANGE
830	11332Z02032000	BREATHER COV GASKET	-	1		
840	11332Z02022000	BREATHER COV GASKET	-	1		
858	90509Z02011000	DOWEL PIN	-	1		
860	902590620A1	BOLT	-	1	M6X20L	

2 CRANKSHAFT,PISTON



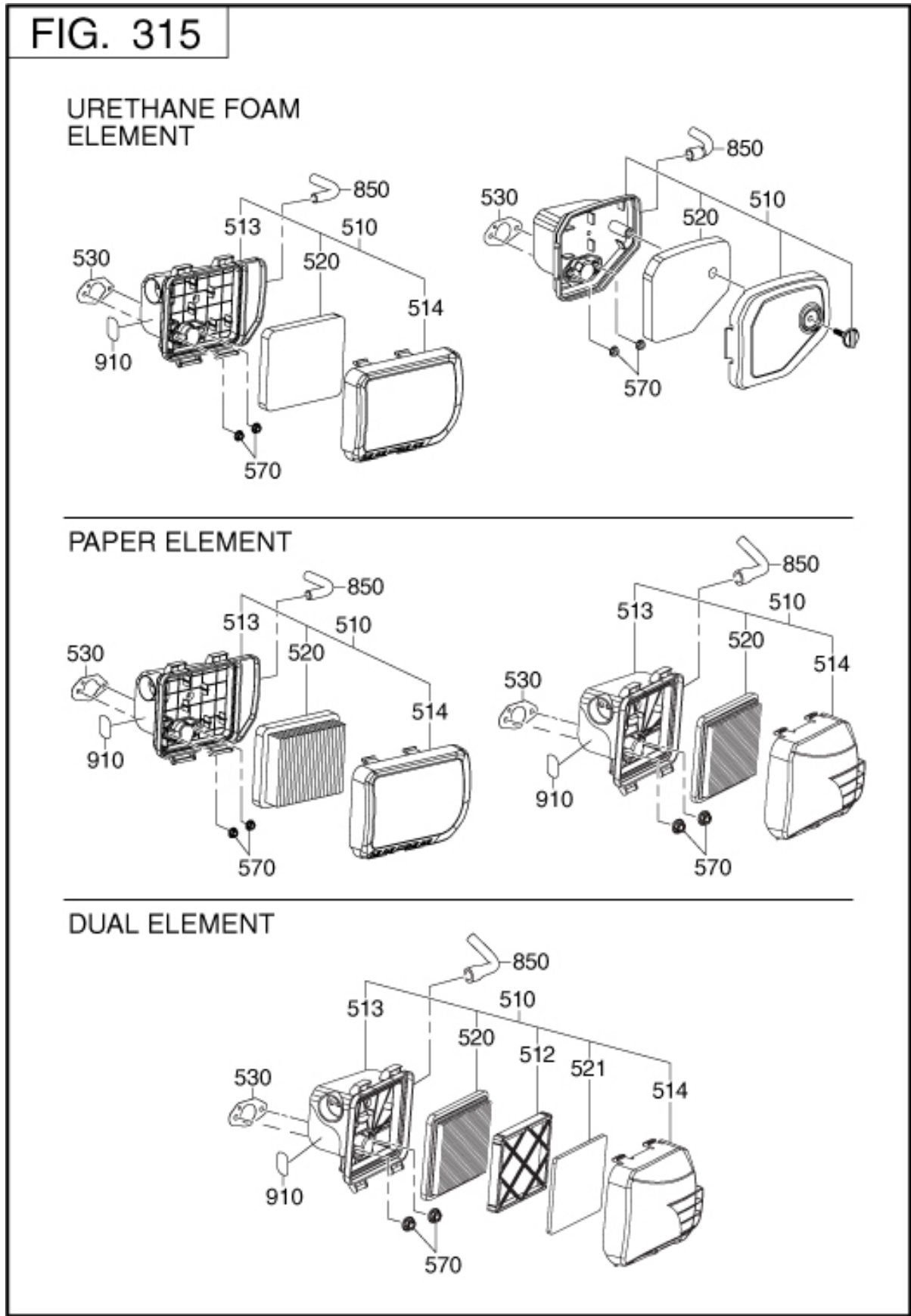
REF.	PART NUMBER	PART NAME	CODE NO.	QTY	REMARKS	INTERCHANGE
10	13300Z02221000	CRANKSHAFT ASSY	-	1		
50	13501Z01011000	FLY WHEEL NUT	-	1		
310	13010Z02011000	CONNECTING ROD ASSY	-	1		
350	13121Z02011000	PISTON PIN	-	1		
360	13111Z02011000	PISTON	-	1		
375	13201Z02011000	FIRST PISTON RING	-	1		
376	13202Z02011000	SECOND PISTON RING	-	1		
377	13210Z02011000	OIL RING ASSY	-	1		
380	13122Z02011000	PISTON PIN SNAP RING	-	2		

3 INTAKE,EXHAUST



REF.	PART NUMBER	PART NAME	CODE NO.	QTY	REMARKS	INTERCHANGE
10	14200Z02042000	CAM GEAR ASSY	-	1		
20	14216Z02011000	CAM SHAFT	-	1		
27	90681Z02011000	O-RING	-	1		
60	12103Z01011000	VALVE SPRING	-	2		
70	12112Z02012000	SPRING RETAINER	-	2		
80	12111Z02011000	INLET VALVE	-	1		
85	12101Z01011000	VALVE SEAL	-	1		
90	12121Z02011000	EXHAUST VALVE	-	1		
150	90710Z02011000	CHAIN	-	1	88 LINK	
160	14440Z02011000	TENSIONER	-	1		
163	14402Z02014000	TENSIONER SPRING	-	1		
166	14403Z02012000	TENSIONER SHAFT	-	1		
170	14009Z02011000	CHAIN GUIDE	-	1		
200	14330Z02021000	ROCKER ARM PIVOT	-	1		
220	14311Z02032000	INLET ROCKER ARM	-	1		
225	14321Z02032000	EXHAUST ROCKER ARM	-	1		
230	14314Z02021000	VALVE C/L ADJ STUD	-	2		
240	14312Z02021000	VALVE C/L ADJ NUT	-	2		
280	90406050031	WASHER	-	1		
290	900070508A1	BOLT	-	1	M5X8L	

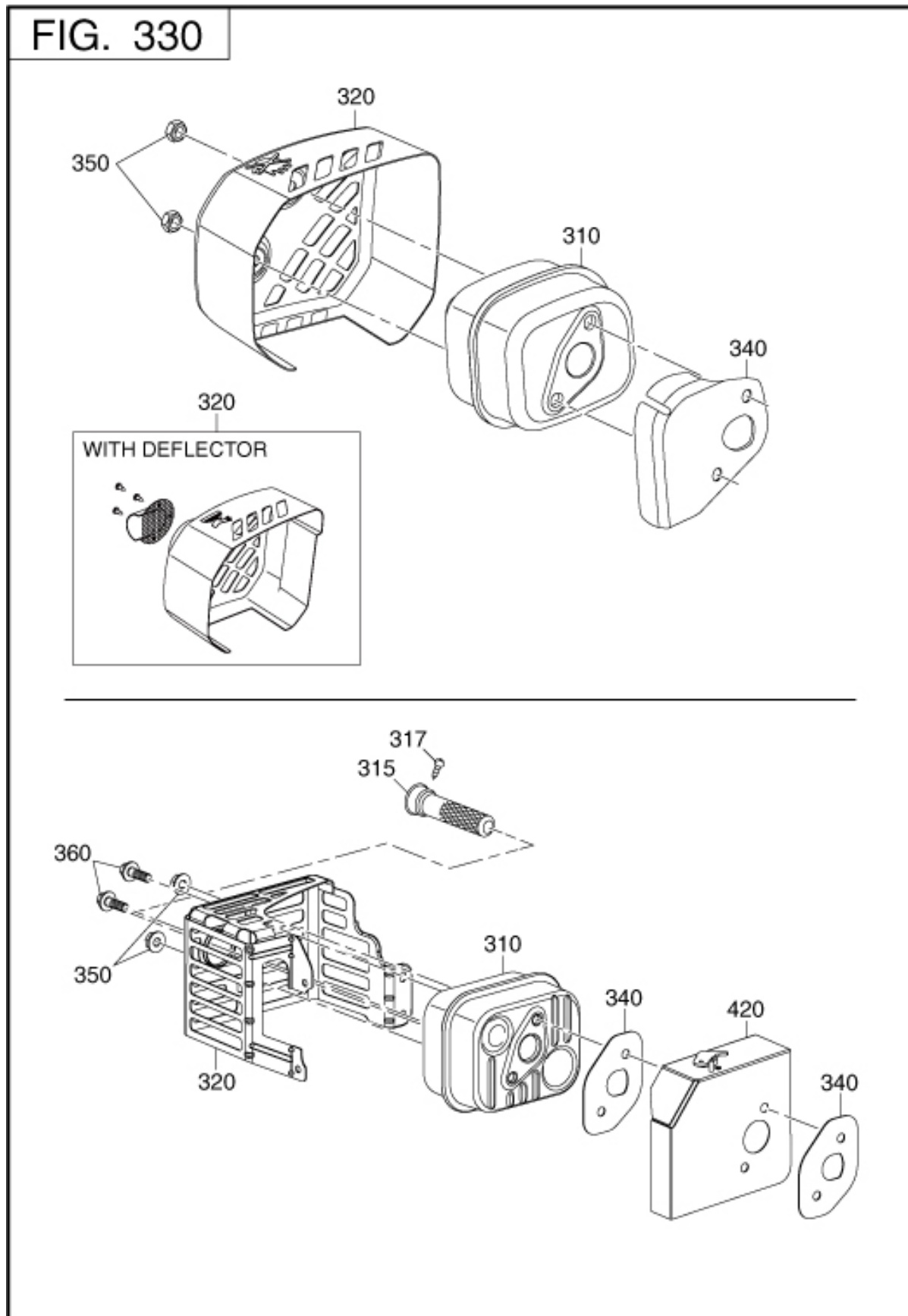
3 INTAKE EXHAUST





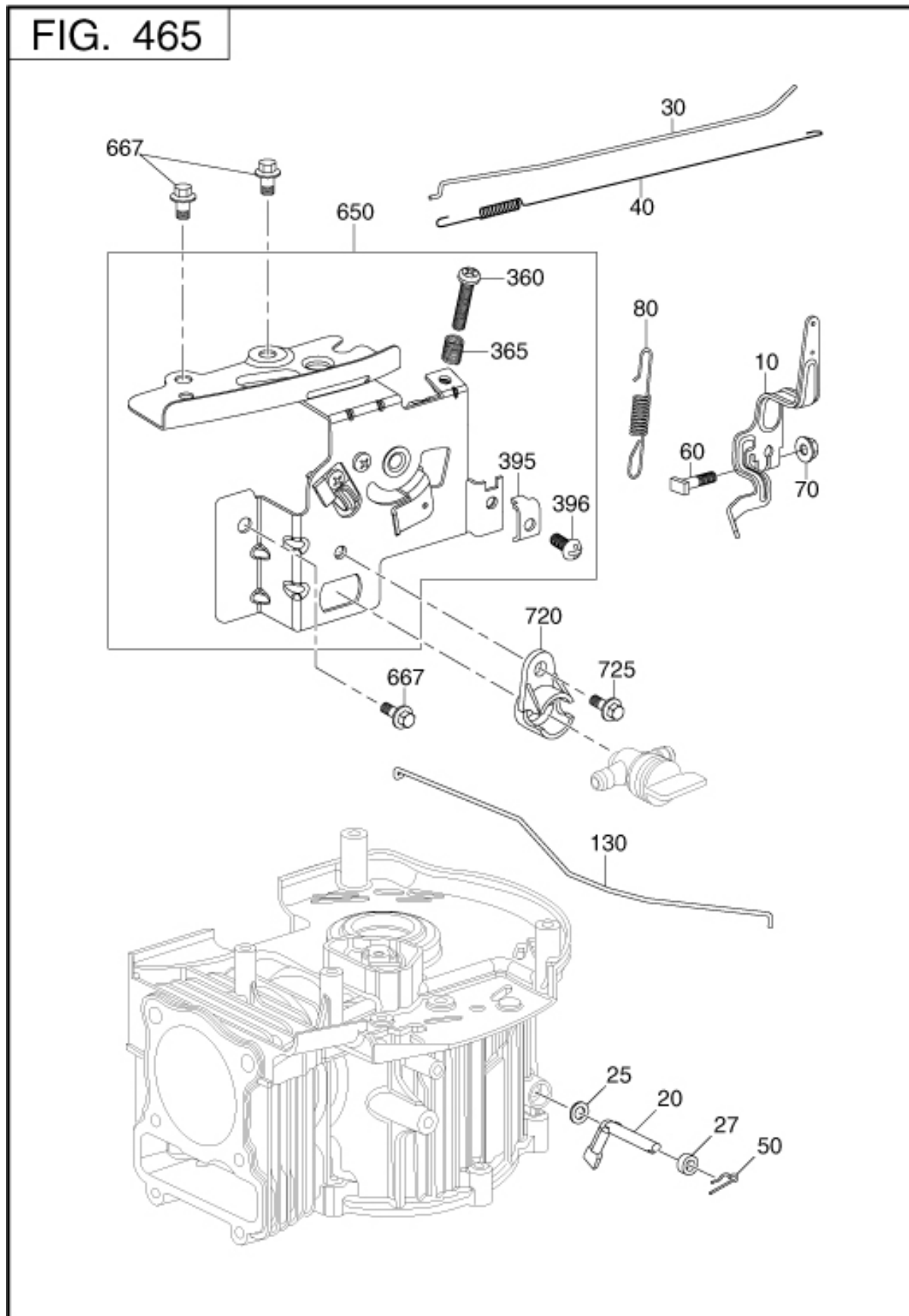
REF.	PART NUMBER	PART NAME	CODE NO.	QTY	REMARKS	INTERCHANGE
510	17100Z62021000	DUAL AIR CLEANER AY	-	1	DUAL	
512	17115Z62011000	ELEMENT HOLDER	-	1		
513	17140Z62011000	AIR CLEANER BASE	-	1		
514	17104Z62021000	AIR CLEANER COVER	-	1		
520	17150Z03011000	AIR CLEANER ELEMENT	-	1	PAPER	
521	17151Z62011000	AIR CLEANER ELEMENT	-	1	URETHANE FOAM	
530	17001Z02013000	AIR CLEANER GASKET	-	1		
570	90305060031	NUT	-	2	M6	
850	17004Z02021000	BREATHER HOSE	-	1		

3 INTAKE EXHAUST



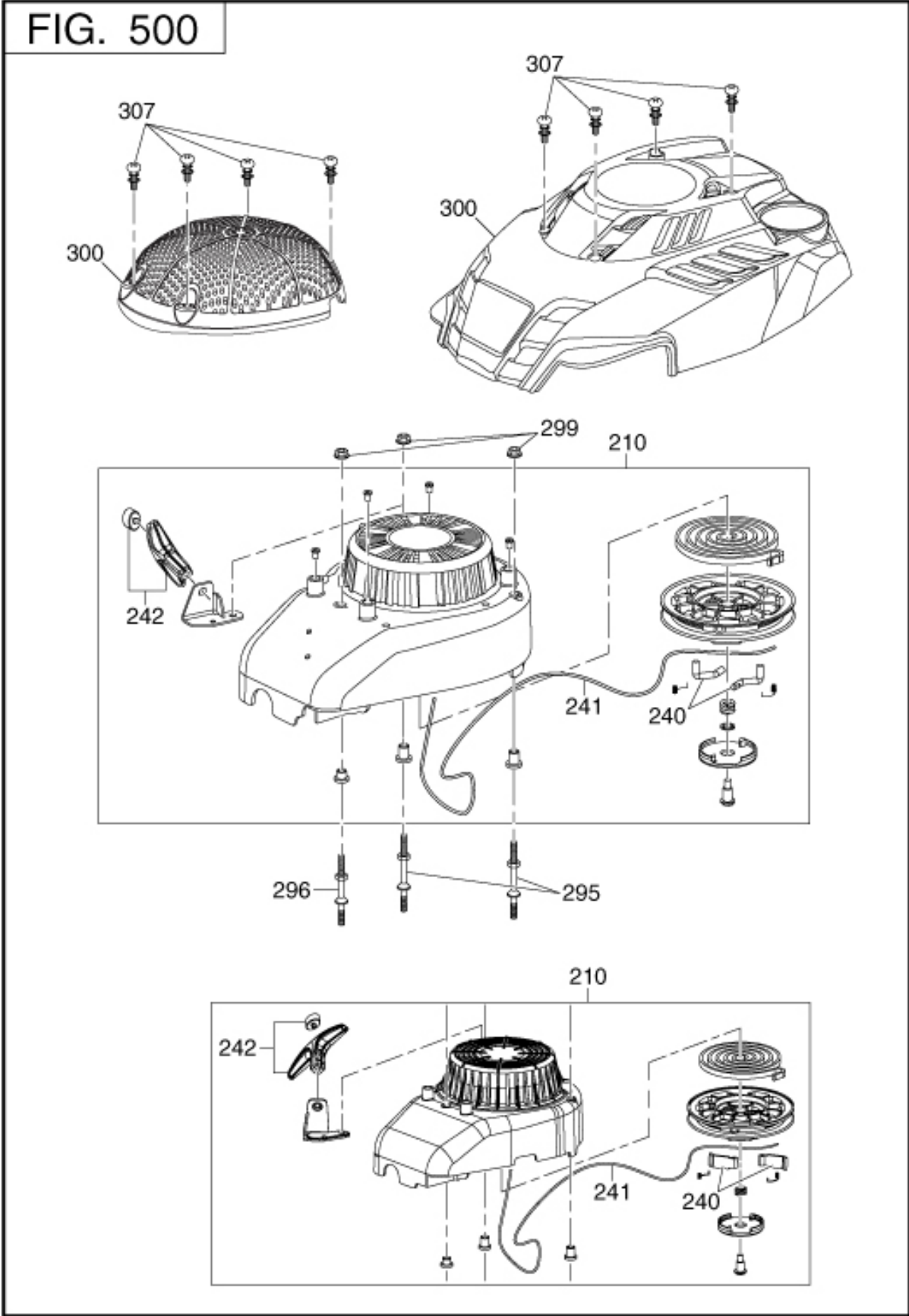
REF.	PART NUMBER	PART NAME	CODE NO.	QTY	REMARKS	INTERCHANGE
310	18100Z02071000	MUFFLER	-	1		
315	18250Z02011000	SPARK ARRESTER	-	1		
317	90107358050	TAPPING SCREW	-	1		
320	18013Z02011000	MUFFLER COVER	-	1		
340	18001Z02021000	MUFFLER GASKET	-	2		
350	90305080031	NUT	-	2	M8	
360	900070614A1	BOLT	-	2	M6X14L	
420	16260Z02021000	MUFFLER INSULATION	-	1		

### 5 GOVERNOR OPERATION



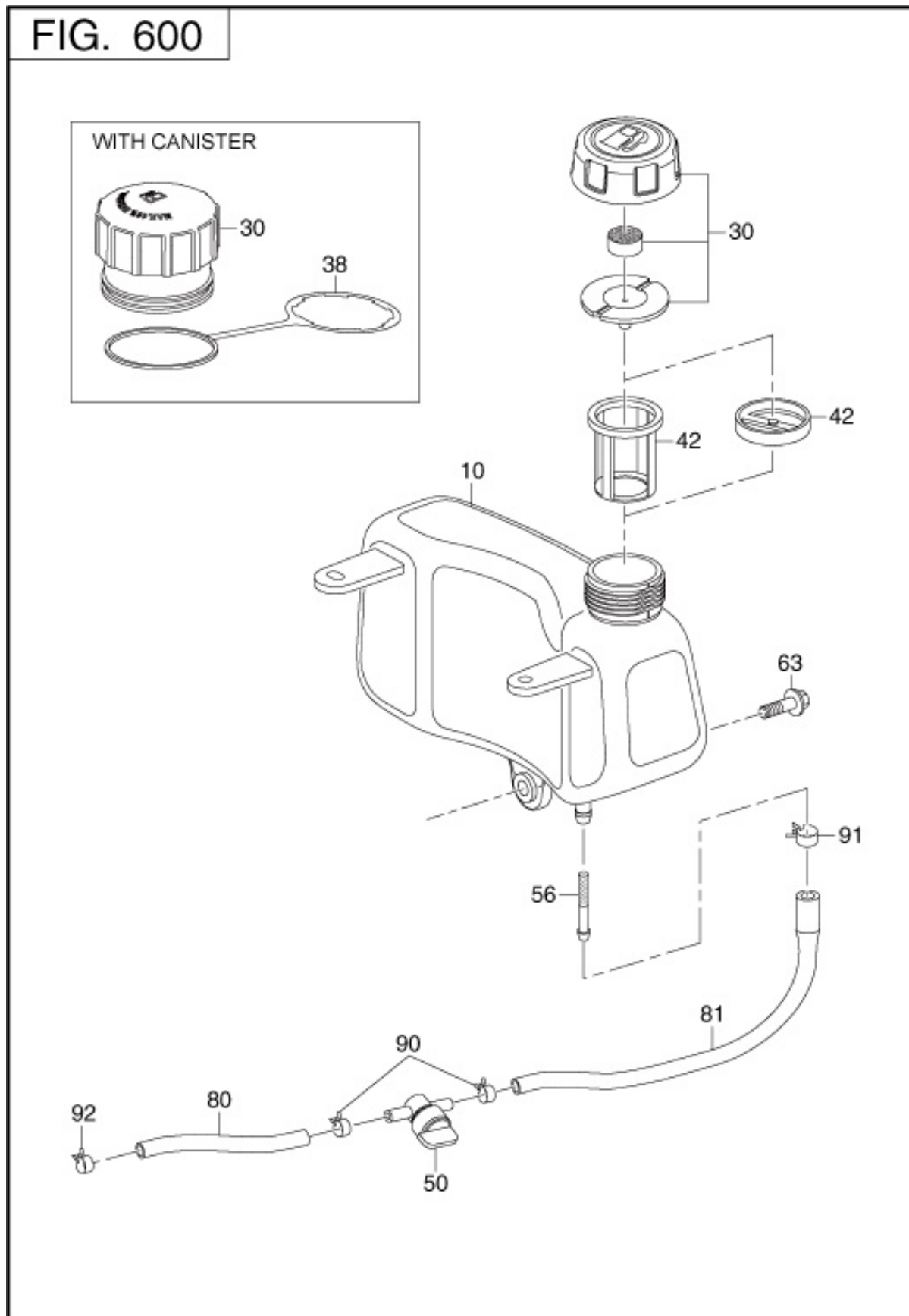
REF.	PART NUMBER	PART NAME	CODE NO.	QTY	REMARKS	INTERCHANGE
10	16071Z02041000	GOVERNOR LEVER	-	1		
20	16061Z02021000	GOVERNOR ARM	-	1		
25	90408Z01021000	WASHER	-	1	15DX6. 2DX0. 6T	
27	90682Z03021000	OIL SEAL	-	1	6DX11DX4B	
30	16062Z02051000	THROTTLE CONTROL ROD	-	1		
40	16012Z02022000	TH RETURNING SPRING	-	1		
50	90501Z01011000	COTTER PIN	-	1		
60	16072Z01011000	BOLT	-	1	M6X21L	
70	90305060031	NUT	-	1	M6	
80	16063Z02061000	GOVERNOR SP CSC2P	-	1		
130	16123Z62011000	CHOKE ROD(AUTOCHOKE)	-	1		
360	90103054251	ADJUSTING SCREW	-	1		
365	16527Z03012000	SPRING	-	1		
395	16532Z02011000	CLAMP	-	1		
396	90103051251	SCREW	-	1		
650	16520Z02111000	SPEED CONTROL BKT AY	-	1		
667	900070614A1	BOLT	-	3	M6X14L	
720	16757Z02012000	FUEL VALVE BASE	-	1		
725	900070514A1	BOLT	-	1	M5X14L	

5 COOLING STARTING



REF.	PART NUMBER	PART NAME	CODE NO.	QTY	REMARKS	INTERCHANGE
210	28200Z020510Q2	RECOIL STARTER	-	1		
240	28239Z24011000	PAWL	-	2		
241	28221Z03011000	RECOIL ROPE (2.1M)	-	1		
242	28210Z02021000	RECOIL KNOB	-	1		
295	28001Z02012000	STUD	-	2	M6X83L	
296	28001Z02022000	STUD	-	1	M6X68L	
299	90305060031	NUT	-	3	M6	
300	80001Z020410Q2	ENGINE SHROUD MOWER	-	1		
307	90254052051	SCREW ASSY M5X20	-	4	M5X20L	

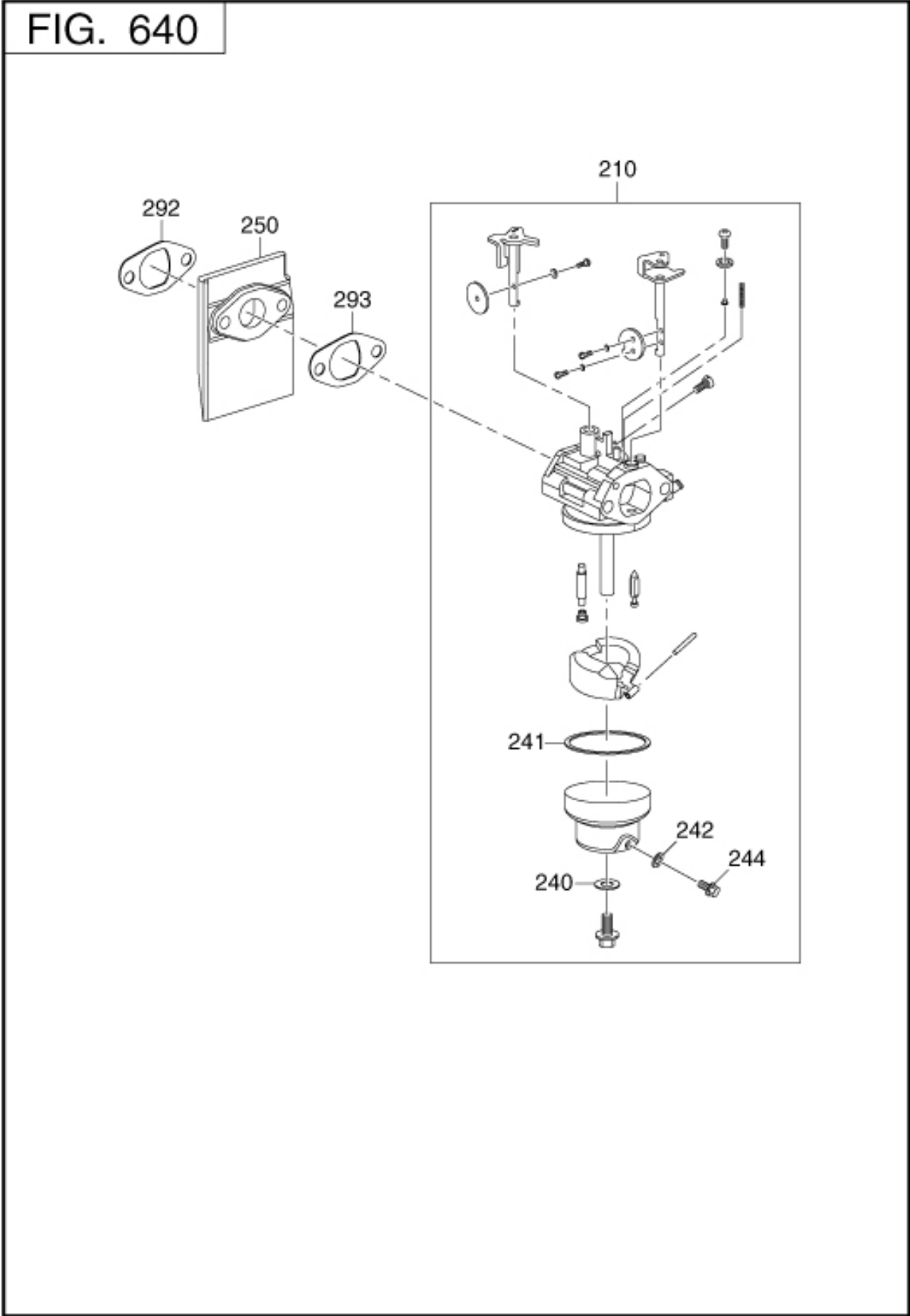
6 FUEL LUBRICANT





REF.	PART NUMBER	PART NAME	CODE NO.	QTY	REMARKS	INTERCHANGE
10	16620Z62011002	FUEL TANK	-	1	1. 2L	
30	16730Z020210G4	TANK CAP ASSY	-	1		
42	16672Z620110QG	FUEL LEVEL	-	1		
50	16752Z02011000	FUEL VALVE	-	1		
56	16652Z03011000	FUEL FILTER	-	1		
63	900070625A1	BOLT	-	1	M6X25L	
80	90686Z02021000	FUEL HOSE	-	1		
81	90686Z02032000	FUEL HOSE	-	1	4X8X300	
90	90685Z02011000	HOSE CLAMP	-	2	9. 5DX8DX0. 8T	
91	90685Z02021000	HOSE CLAMP	-	1	11. 5DX10BX0. 8T	
92	90685Z03022000	HOSE CLAMP	-	1	7. 5DX8DX0. 8T	

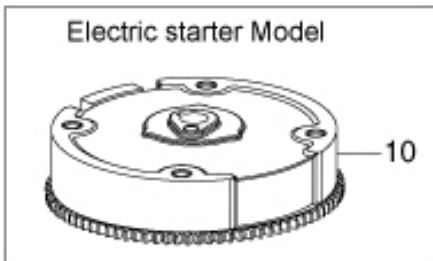
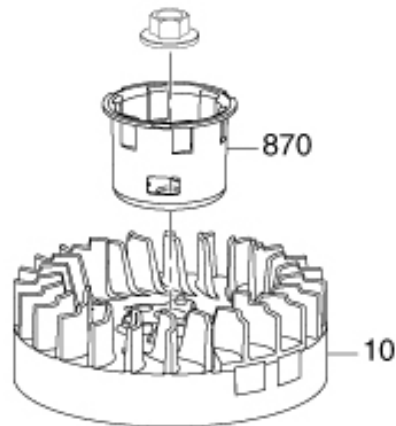
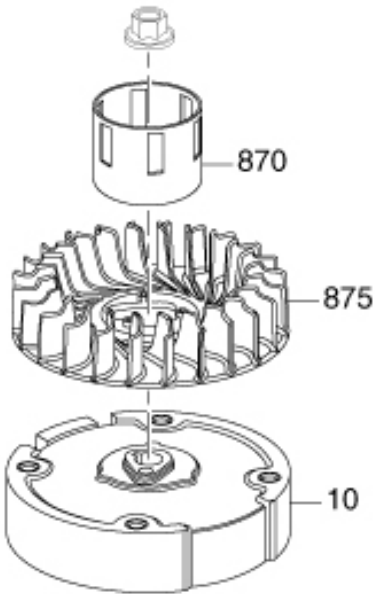
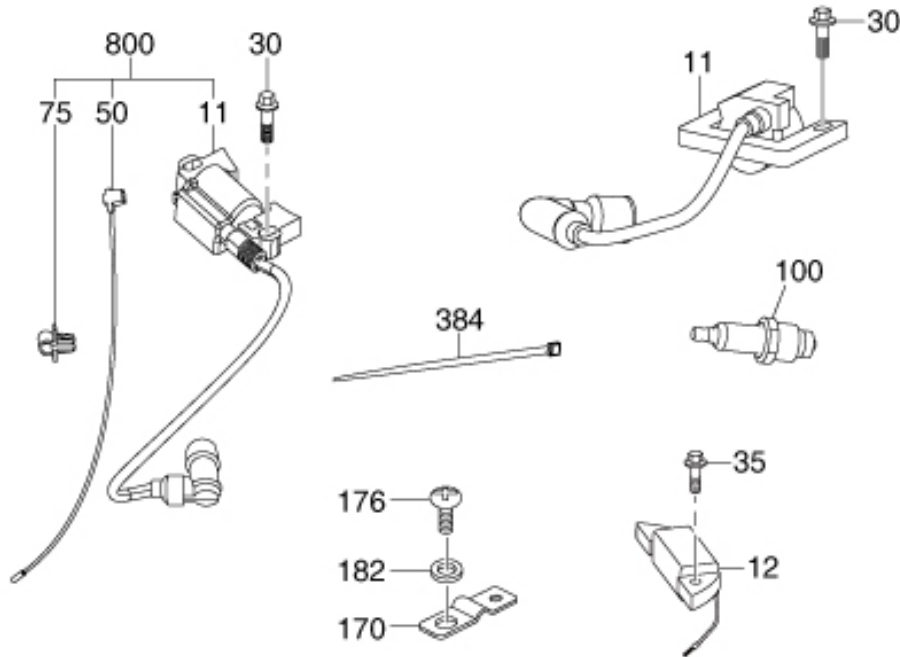
6 FUEL LUBRICANT



REF.	PART NUMBER	PART NAME	CODE NO.	QTY	REMARKS	INTERCHANGE
210	16100Z02091099	CARBURETOR ASSY	-	1		
240	90681Z02011000	O-RING	-	1		
241	16112Z02011000	O-RING,FUEL CUP	-	1		
242	90409Z02011000	PACKING,DRAIN BOLT	-	1		
244	16193Z02011000	DRAIN BOLT	-	1		
250	16003Z02022099	INSULATOR	-	1		
292	16002Z02011000	INSULATOR GASKET	-	1		
293	16001Z02012000	CARBURETOR GASKET	-	1		

7 ELECTRIC DEVICE

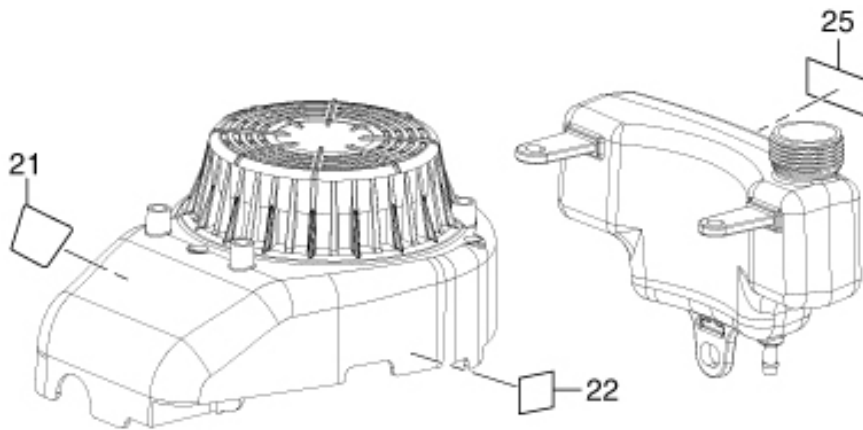
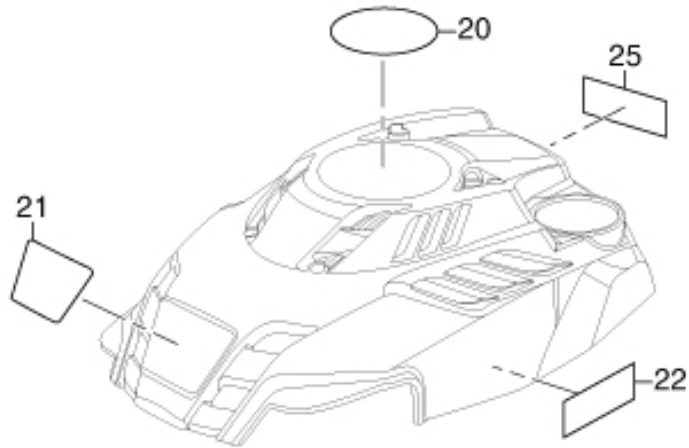
FIG. 700



REF.	PART NUMBER	PART NAME	CODE NO.	QTY	REMARKS	INTERCHANGE
10	13510Z02021000	FLY WHEEL	-	1		
11	30400Z02121000	IGNITION COIL	-	1		
30	900070625A1	BOLT	-	1	M6X25L	
50	30423Z02041000	GROUNDING WIRE	-	1		
75	90684Z02011000	PLASTIC CLAMP	-	1		
100	30010Z02012000	SPARK PLUG	-	1	TORCH E7RTC	
870	28002Z02021000	START CUP	-	1		
875	19352Z01011000	COOLING FAN	-	1		

9 ACCESSORIES LABEL

FIG. 900



REF.	PART NUMBER	PART NAME	CODE NO.	QTY	REMARKS	INTERCHANGE
20	88013Z02021000	TRADE MARK LABEL	-	1		
22	88025Z02052000	FUEL COCK LABEL CSC	-	1		
25	88001Z02011000	WARNING LABEL	-	1		