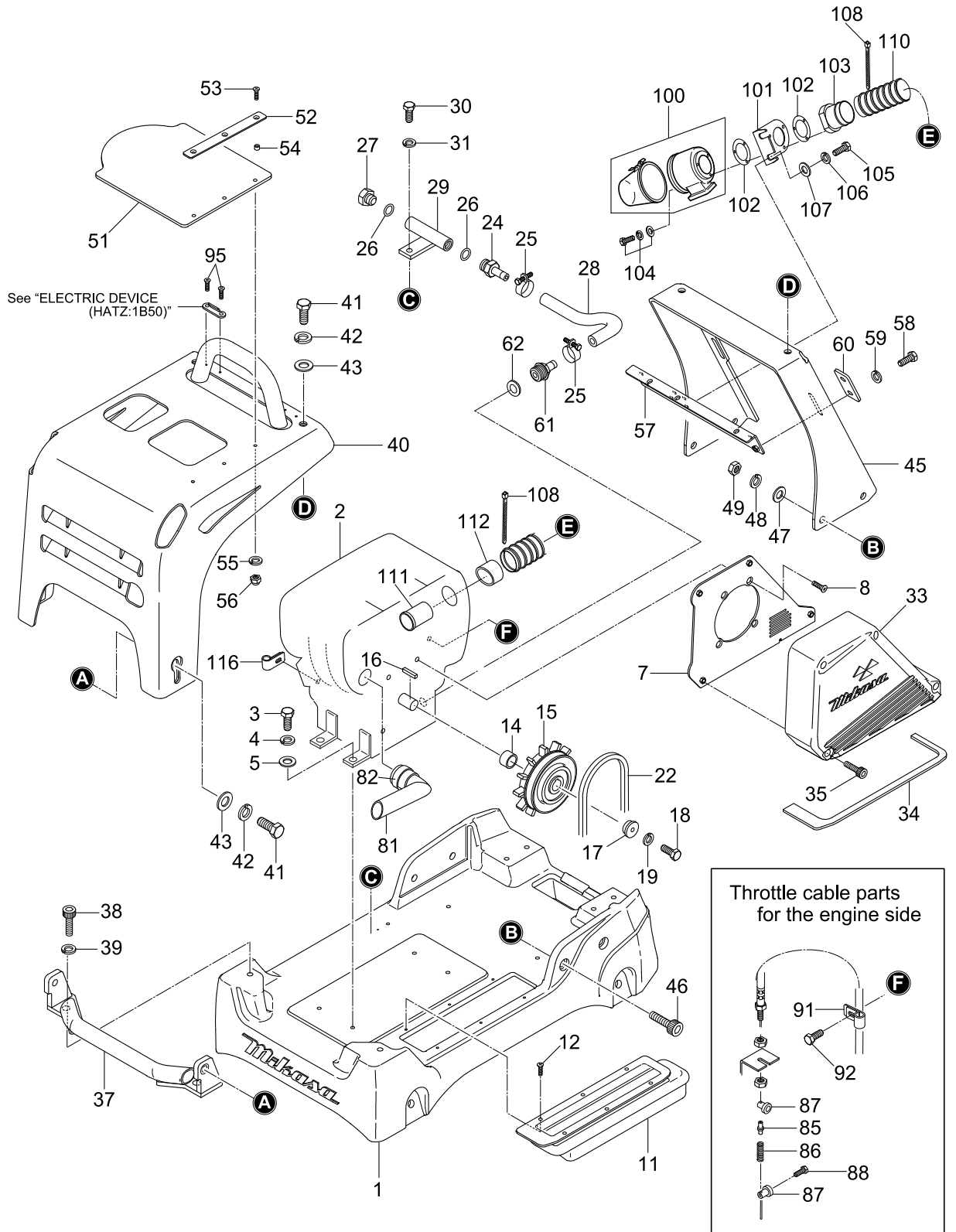


BASE AND ENGINE _HATZ

MVH-408

BASE AND ENGINE (HATZ: 1B50)

4TMO



BASE AND ENGINE _HATZ

NO.	PART/NO.	PartsName	Q' TY	MK2	REMARKS
1	4681-21250	BASE /1B50 /MVH-408	1		
2	9184-01100	ENGINE AY/1B50/EPA4/408Z	1	!R328	
2	9184-01103	ENGINE AY/1B50T/EPA4/408	1	!R328-1	MQ
2	9184-01104	ENGINE AY/1B50T/EXP	1	!R328-1	EXP
3	0012-21030	BOLT 10X30 T	4		
4	0302-10250	SW M10	4		
5	0311-10160	PW M10	4		
7	4683-52230	BELT COVER, IN /MVH-408DSZ	1		
8	0091-20416	SUNK HEAD BOLT 10X25	4		
11	4683-52120	DUST COVER /MVH-408	1		
12	0920-06010	FLAT HEAD SCREW 6X10	6		
14	9524-08830	SPACER 25X31. 8X18	1		
15	4683-52380	CLUTCH AY/CHM03/W. FAN/408	1		
16	05306100	KEY 7 X 7 X 35 / 1B40	1	OJH	
17	9524-08840	SPECIAL WASHER/1B50/408DZ	1		
18	0012-21030	BOLT 10X30 T	1		
19	0302-10250	SW M10	1		
22	0702-00463	V-BELT HDPF-5460	1		
24	9544-07310	UNION, DRAIN /MVH-308	1		
25	9544-10300	ERROR	2	ERROR	
26	021-11400-20	GASKET	2		
27	040-11400-30	PLUG	1	S!9534-10280	
28	4654-59390	DRAIN HOSE / MVH-406	1		
29	4644-57380	DRAIN JOINT/MVH-306	1		
30	0012-20820	BOLT 8X20 T	1		
31	0302-08200	SW M8	1		
33	4682-18930	BELT COVER (OUT)/MVH-408	1		
34	4683-52130	DUST SPONGE (OUT)/MVH-408	1		
35	0015-21056	SOCKET HEAD BOLT 10X80 T	4		
37	4683-52140	FRONT BUNPER /MVH-408	1		
38	0015-21435	SOCKET HEAD BOLT 14X35 T	2		
39	0302-14350	SW M14	2		
40	4681-21210	FRONT COVER, 1B50/MVH-408	1		
41	0012-21435	BOLT 14X35 T	4		
42	0302-14350	SW M14	4		
43	0311-14260	PW M14	4		
45	4682-19320	CENTER COVER, 1B50/408DSZ	1		
46	0015-21435	SOCKET HEAD BOLT 14X35 T	4		
47	0311-14260	PW M14	4		
48	0302-14350	SW M14	4		
49	0203-14110	NUT M14	4		
51	4684-66890	RUBBER COVER, UPPER/408	1		
52	4674-66760	STOPPER, COVER/MVH-308Z, Y	1		
53	0091-20424	SOCKET HEAD BOLT 6X25T	3		
54	6174-65130	COLLAR 6. 2X7. 8X4. 5	3		
55	0302-06150	SW M6	3		
56	0227-10607	NYLON NUT M6	3		

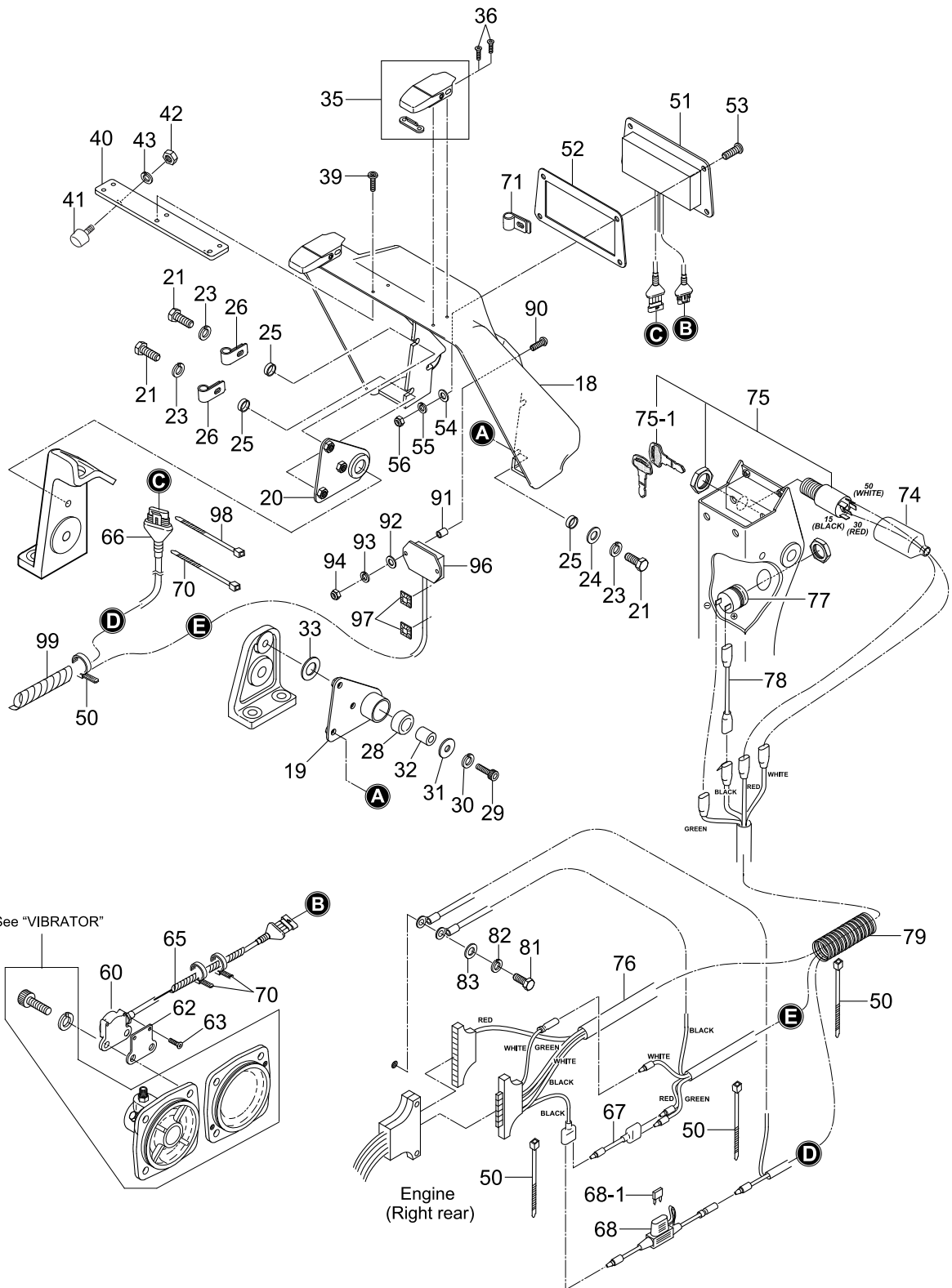
BASE AND ENGINE _HATZ

NO.	PART/NO.	PartsName	Q' TY	MK2	REMARKS	List Price
57	4683-52720	CLEANER STAY, 1B50/MVH-408	1			
58	0012-20825	BOLT 8X25 T	4			
59	0302-08200	SW M8	4			
60	4674-67580	PLATE, CLEANER STAY/1B30	2			
61	4654-59670	OIL DRAIN/MVH-406/1B40	1			
62	50001600	GASKET, /ID81	1		HATZ PARTS	
81	4683-52160	EX PIPE, 1B50/MVH-408DSZ	1			
82	03740900	PIPE CLIP / 1B40	1		HATZ PARTS	
85	05165000	GUIDE BUSH / 1B40	1		HATZ PARTS	
86	50484600	PRESSURE SPRING / 1B40	1		HATZ PARTS	
87	50483100	CABLE CLAMPG. 2.2MM/1B40	2		HATZ PARTS	
88	50025000	HEXAGON SCREW M4X10 /1B40	1		HATZ PARTS	
91	9544-09880	CLAMP M6/MT	1			
92	0012-20610	BOLT 6X10 T	1			
95	0091-20420	SOCKET HEAD BOLT 5X10T	4			
100	4682-19300	CLEANER, CYCLONE/4-BLADED	1			
101	4683-52180	CYCLONE STAY /MVH-408	1			
102	4664-62850	GASKET, AIR INTAKE/206	2			
103	4674-66840	JOINT, C-CLEANER/MVH-308	1			
104	0091-10057	SOCKET HEAD BOLT/5X18	3			
105	0012-20820	BOLT 8X20 T	2			
106	0302-08200	SW M8	2			
107	0311-08160	PW M8	2			
108	5060-10060	CLAMP TC-350	2			
110	4673-51900	DUCT HOSE 50X390	1			
111	4674-66850	INTAKE PIPE /MVH-308DSZ	1			
112	4674-66860	GROMMET, CLEANER/MVH-308Z	1			

MVH-408

4TP0

ELECTRIC DEVICE : With compaction sensor(HATZ: 1B50)



ELECTRIC DEVICE_HATZ_ PAS

NO.	PART/NO.	PartsName	Q' TY	MK2	REMARKS
18	4681-21270	REAR COVER /MVH-408D	1		
19	4673-52020	BRACKET, REAR COVER(L)	1		
20	4673-52030	BRACKET, REAR COVER(R)	1		
21	0012-20820	BOLT 8X20 T	6		
23	0302-08200	SW M8	6		
24	0311-08160	PW M8	4		
25	9524-08780	COLLAR 8. 2X10X5. 5	6		
26	9594-08920	CLIP 8 (M8) /MVH-308	2		
28	4164-59341	RUBBER, VAS HANDLE/MVC-88G	2		
29	0015-21040	SOCKET HEAD BOLT 10X40 T	2		
30	0302-10250	SW M10	2		
31	9524-08740	WASHER10. 5X30X2. 3	2		
32	9524-08790	COLLAR 10. 5X20X22	2		
33	4674-67250	RUBBER WASHER 20X35X3	2		
35	4674-67090	CATCH CLIP /MVH-308	2		
36	0091-20421	SOCKET HEAD BOLT 5X15T	4		
39	0091-10073	SOCKET HEAD SCREW 5X15	2		
40	4683-52220	BRACKET, STOPPER /MVH-408	1		
41	9390-10360	STOPPER RUBBER 30X20H-70	2		
42	0203-08060	NUT M8	2		
43	0302-08200	SW M8	2		
50	4540-10020	CLAMP TC-100	10		
51	4683-10010	SENSOR PANEL /MVH-408	1		
52	4643-50510	PACKING, SENSOR	1		
53	0091-10091	OCKET HEAD SCREW 6X25	4		
54	0311-06100	PW M6	4		
55	0302-06150	SW M6	4		
56	0227-10607	NYLON NUT M6	4		
60	4673-52040	ACCELERATION SENSOR AY	1		
62	4644-64350	SENSOR HOLDER COVER/306	1		
63	0091-20420	SOCKET HEAD BOLT 5X10T	2		
65	9590-21812	SPIRAL TUBE 6D-800L	1		
66	4673-52480	HARNESS, SENSOR /MVH-308	1		
67	5154-50380	WIRE HARNESS /MRH-600, 700	1	SX	
68	4673-52850	FUSE HOLDER, SENSOR/DSCPAS	1		
68-1	4670-10010	FUSE (2A-SMALL) /MVH-308	1		
70	5060-10070	CLAMP TC-150	7		
71	9594-08930	CLIP 15 (M6) /MVH-308	1		
74	4704-68770	PROTECTION COVER, SWITCH	1		
75	50384401	SWITCH, KEY A, Y/ID81	1		
75-1	50404900	IGNITION SWITCH KEY	1		NEW Z1051-0
75-1	50600800	IGNITION SWITCH KEY OLD	1		OLD -Z1050
76	4673-52070	WIRE HARNESS (HATZ) /308DSZ	1		
77	50465100	BUZZER 12/24V.	1		
78	4654-59680	RELAY CABLE/BUZZER	1		

ELECTRIC DEVICE_HATZ_ PAS

NO.	PART/NO.	PartsName	Q' TY	MK2	REMARKS
79	9590-26022	CORRUGATE TUBE 600L/308	1		
81	0012-20612	BOLT 6X12 T	1		
82	0302-06150	SW M6	1		
83	0311-06100	PW M6	1		
90	0091-10072	PAN HEAD SCREW 5X35	2		
91	9524-07930	COLLAR 6X10X13.5	2		
92	0311-05080	PW M5	2		
93	0302-05130	SW M5	2		
94	0227-10506	NYLON NUT M5	2		
96	9553-01020	TACHO&HOUR METER/L, 1B, 1D	1		
97	9554-07970	WIRING FIXED BASE/MVH-206	2		
98	4540-10020	CLAMP TC-100	2		
99	9590-21813	SPIRAL TUBE 6D-650L	1		