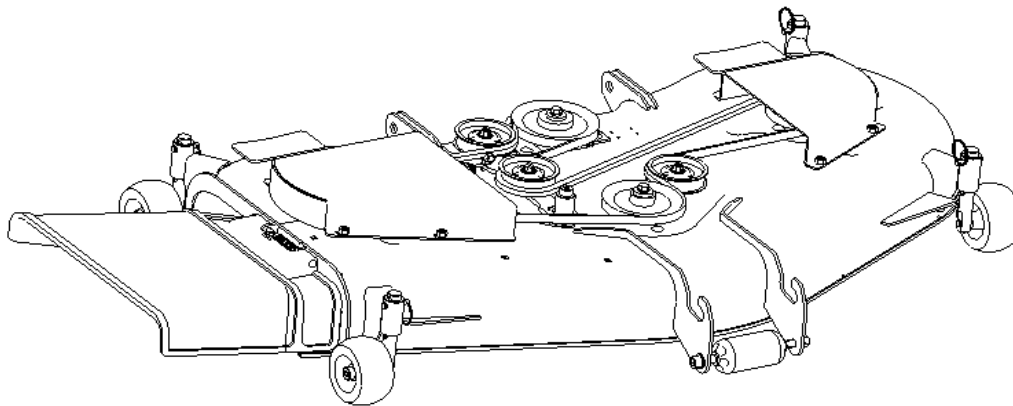


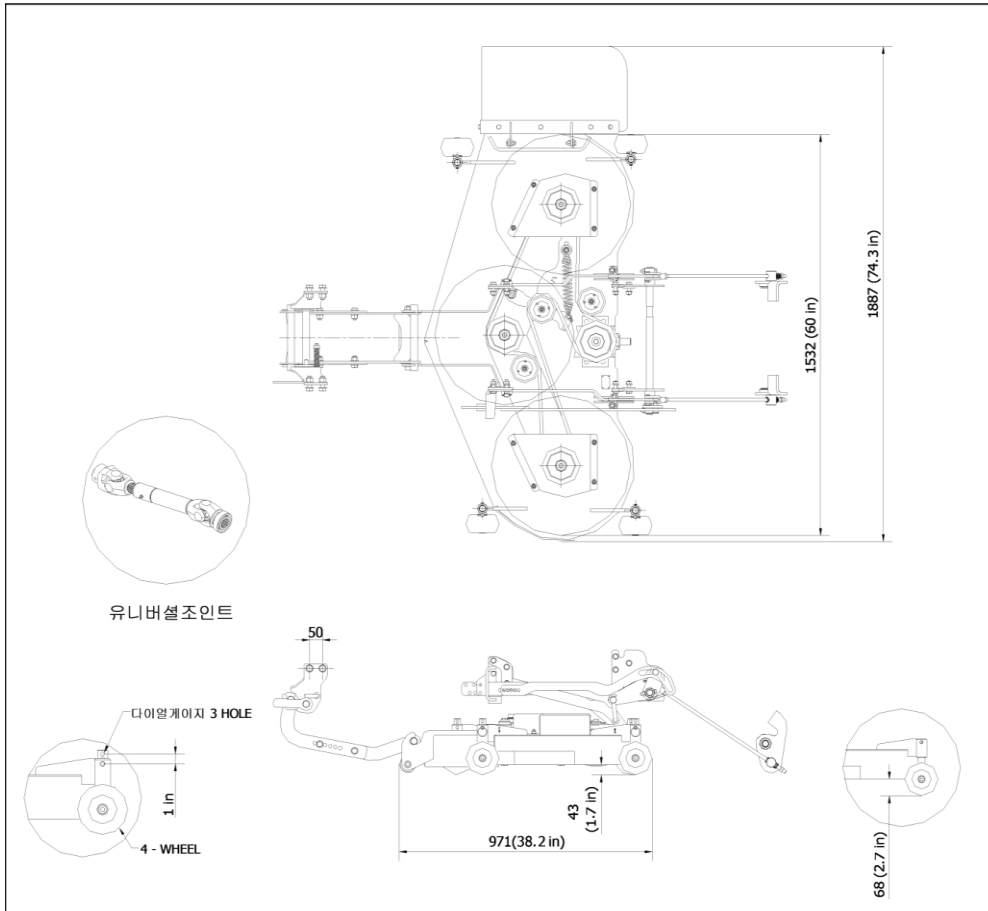
MODEL MID MOWER
60" MOWER AND MOUNTING

INSTALLATION INSTRUCTIONS AND PARTS CATALOG

MODEL NAME : BM60

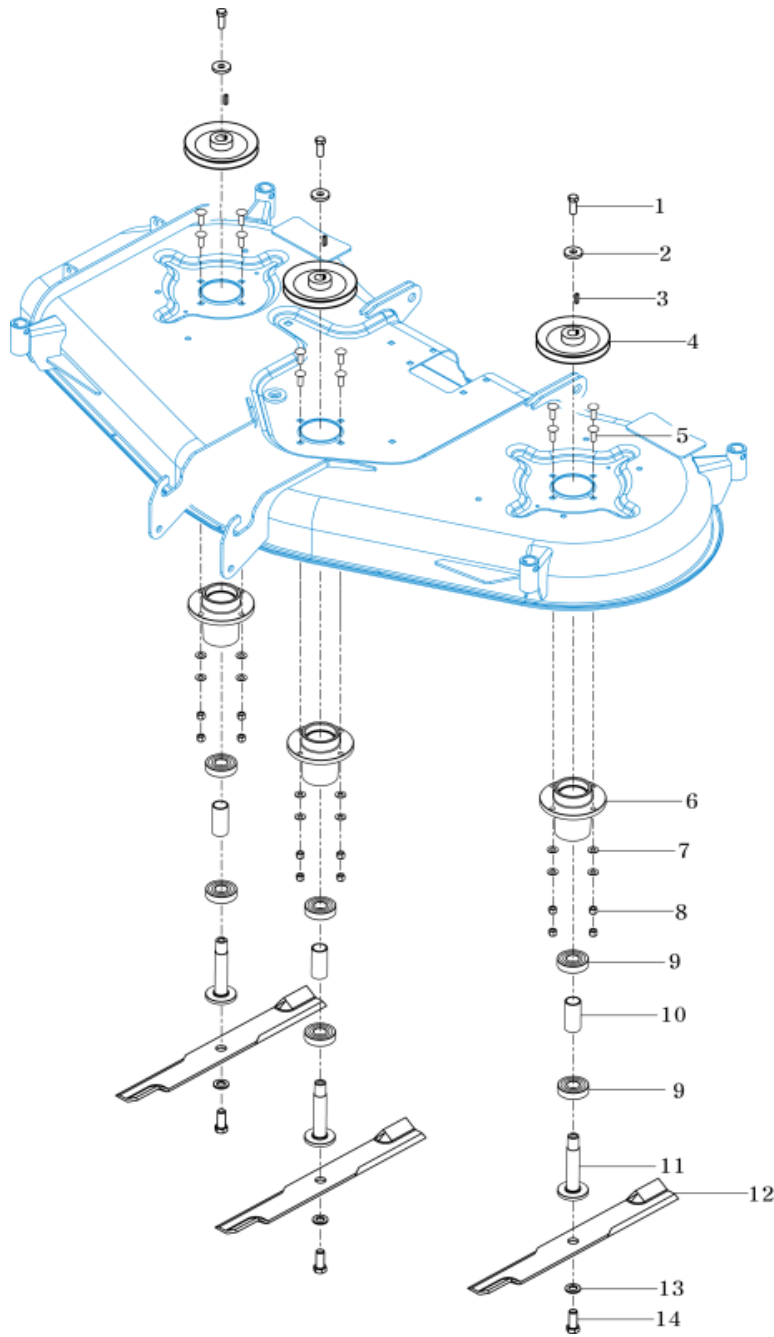


MID MOWER SPECIFICATION



MODEL	M60	MODEL	M60	
TYPE	Side Discharge	Applicable Tractor	RK24	
Mounting Method	Parallel Linkage	Number of Blades	3 EA	
Dimensions	Length (in)	38.2	Blade tip Velocity (rpm)	3,363
	Width (in)	74.3	Blade Length (in)	20.8
	Height (in)	7.2	HP rating	20~25
Working Width (in)	60	Deck Thickness (in)	0.13	
Cutting Height (in)	1~4	Weight (lb)	272	
Transport Height (in)	5.12	Universal Joint	Ø21.6X525L	
Lift Linkage Type	Lower Link Lift	Wheel	4 EA	
Adjustment of Increment	Dial Gauge	Assistant Wheel	1 EA	
Dial Gauge	Hole	3 EA	Belt	V-Belt
	Gab between Hole(in)	0.5	Color	RED
	Total Gab(in)	1		

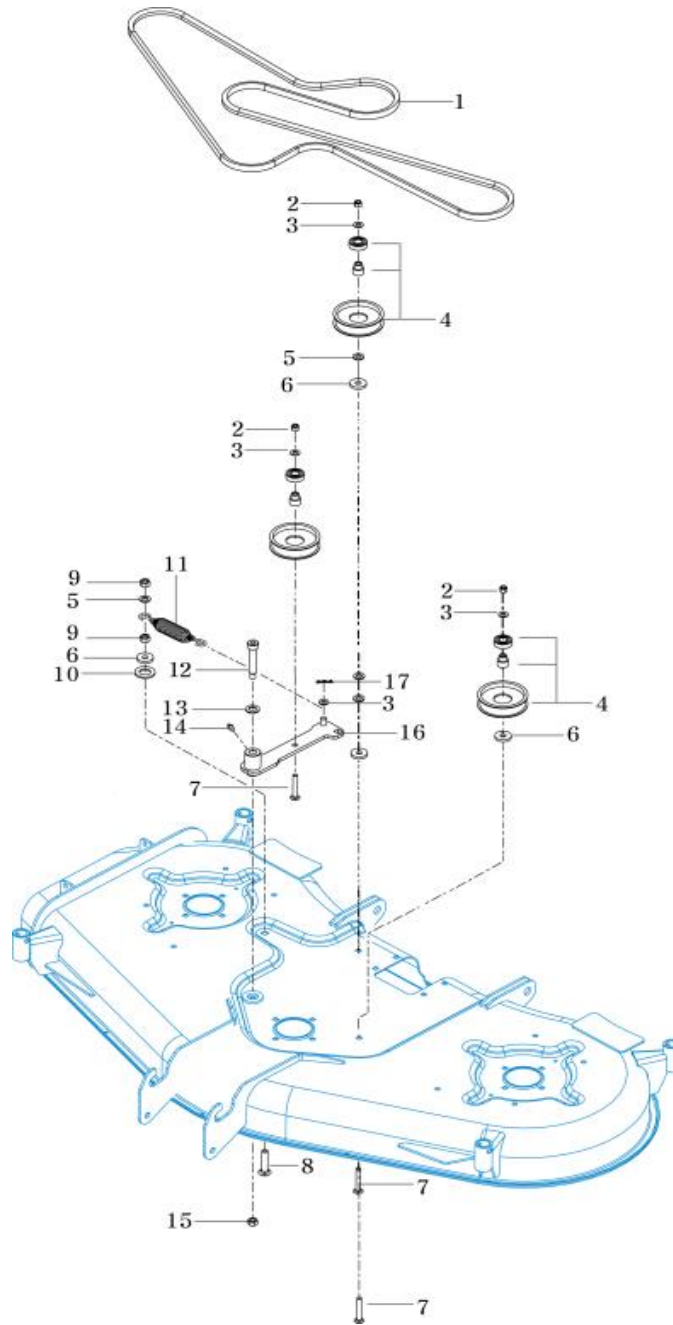
MOWER DECK SERVICE



MOWER KIT SERVICE PARTS BREAKDOWN

KEY NO.		TYM PART NO.	DESCRIPTION	SPEC.	QTY.	REPAIR	EFFECTIVE DATE
002	001	V2034612035	BOLT , HEX FINE	M12X35	3		
002	002	94002000210	WASHER , Ø36X6.0T		3		
002	003	94002000240	KEY , 5X5X23		3		
002	004	94002000100	BLADE PULLEY		3		
002	005	94002000150	CARRIAGE BOLT , 3/8X30	3/8X30	12		
002	006	94002000320	HOUSING		3		
002	007	V4111600100	WASHER , PLAIN	M10	12		
002	008	94002000190	NYLON NUT , 3/8	3/8	12		
002	009	V6041506305	BEARING , BALL/HL1	6305HL1DD	6		
002	010	94002000330	BUSH, HOUSING		3		
002	011	94002000310	SHAFT		3		
002	012	94002000080	BLADE		3		
002	013	V4111600160	WASHER , PLAIN	M16	3		
002	014	V2034616035	BOLT , HEX FINE	M16X35	3		

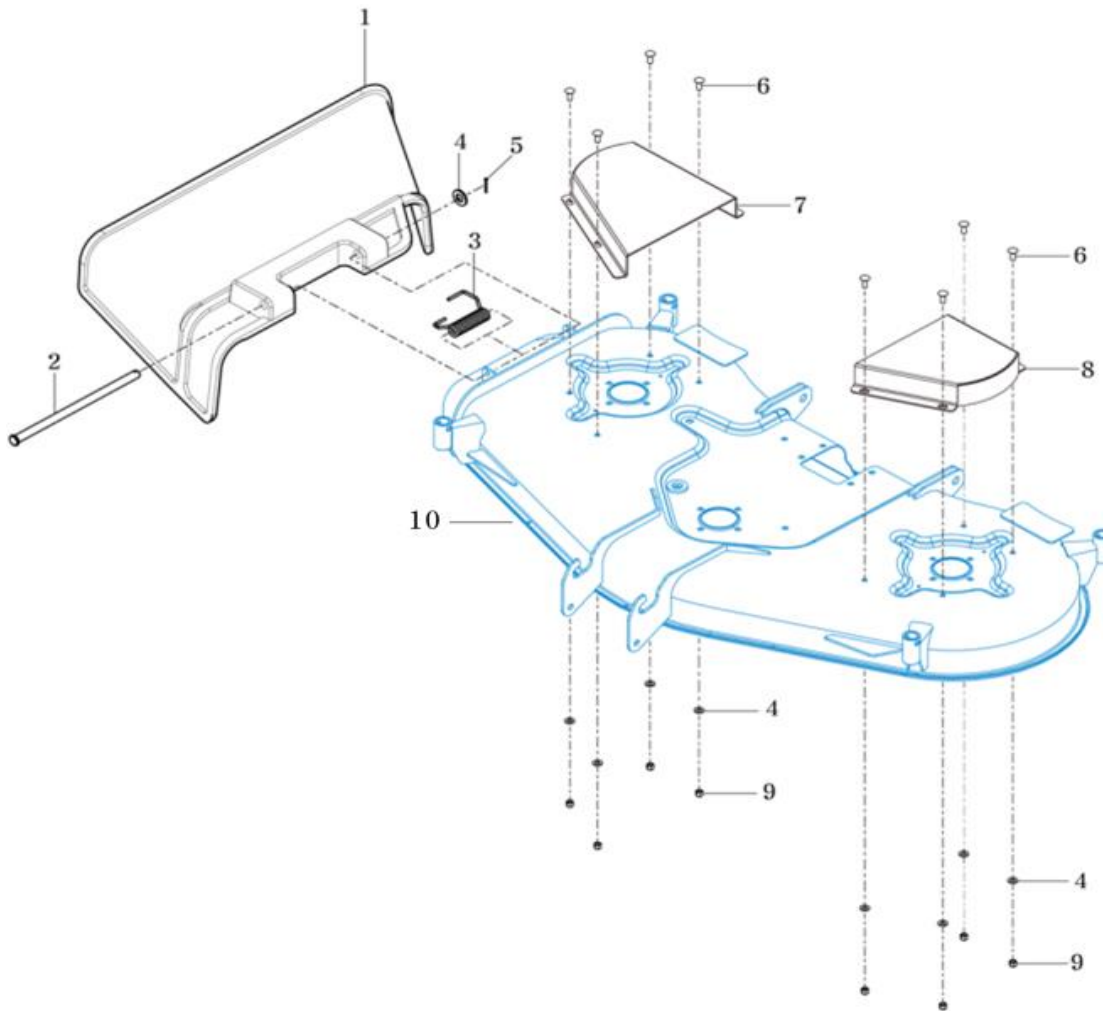
MOWER DECK SERVICE



MOWER KIT SERVICE PARTS BREAKDOWN

KEY NO.		PART NO.	DESCRIPTION	SPEC.	QTY.	REPAIR	EFFECTIVE DATE
003	001	94002000050	V-BELT	LB-133	1		
003	002	94002000190	NYLON NUT , 3/8	3/8	3		
003	003	V4111600100	WASHER , PLAIN	M10	4		
003	004	94002000400	TENSION PULLEY ASS'Y		3		
003	005	V4111600120	WASHER , PLAIN	M12	7		
003	006	94002000210	WASHER , Ø36X6.0T		4		
003	007	94002000170	CARRIAGE BOLT , 3/8X30	3/8X65	3		
003	008	94002000180	CARRIAGE BOLT , 1/2X60	1/2X60	1		
003	009	12624812070	HEX NUT , 1/2-13UNC	1/2-13UNC	2		
003	010	V4111600240	WASHER , PLAIN	M24	1		
003	011	94002000500	SPRING ASS'Y		1		
003	012	94002000120	STRIPPER BOLT		1		
003	013	V4111600160	WASHER , PLAIN	M16	1		
003	014	V7612000000	NIPPLE , GREASE/A-PT	A-PT1/8	1		
003	015	84200001200	NYLON NUT	M12	1		
003	016	94052006000KR	ARM COMP		1		
003	017	V5001930025	PIN , SPLIT	3X25	1		

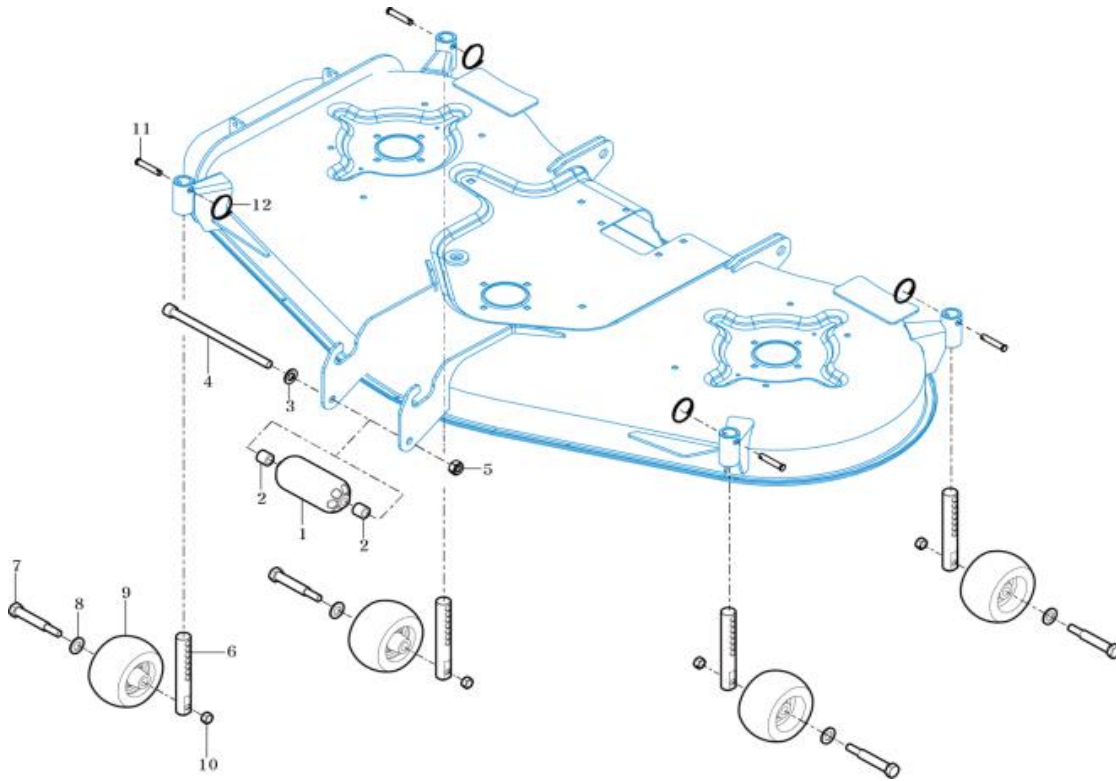
MOWER DECK SERVICE



MOWER KIT SERVICE PARTS BREAKDOWN

<i>KEY NO.</i>		<i>PART NO.</i>	<i>DESCRIPSTION</i>	<i>SPEC.</i>	<i>QTY.</i>	<i>REPAIR</i>	<i>EFFECTIVE DATE</i>
004	001	93802005100	SIDE COVER		1		
004	002	93802005200	PIN , SIDE COVER		1		
004	003	93802005300	SPRING , SIDE COVER		1		
004	004	V4111600100	WASHER , PLAIN	M10	9		
004	005	V5001920015	SPLIT PIN	2X15	1		
004	006	V2004610020	BOLT , HEX	M10X20	8		
004	007	94052004000KR	COVER COMP , BELT RH		1		
004	008	94052003000KR	COVER COMP , BELT LH		1		
004	009	85402003130	NYLON NUT	M10	8		
004	010	94052002000KR	DECK COMP , 60"		1		

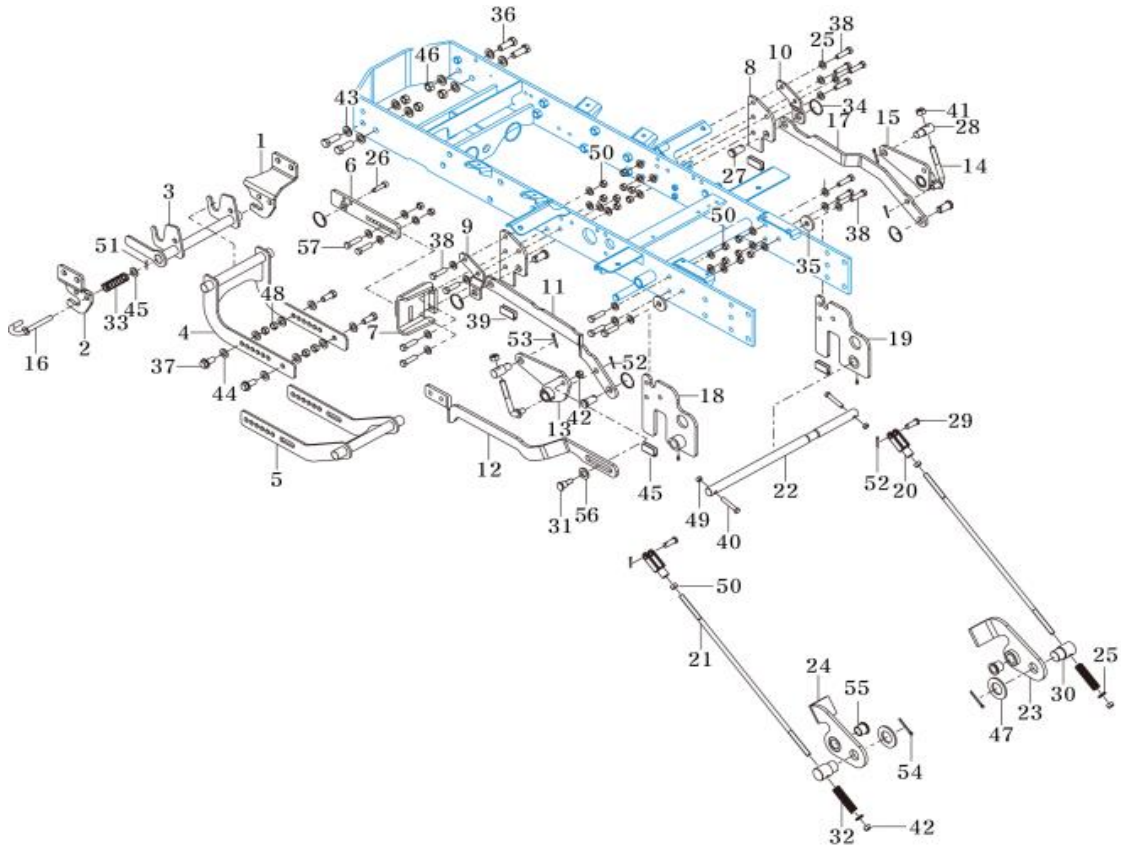
MOWER DECK SERVICE



MOWER KIT SERVICE PARTS BREAKDOWN

KEY NO.		PART NO.	DESCRIPTION	SPEC.	QTY.	REPAIR	EFFECTIVE DATE
005	001	94002000010	FRONT WHEEL		1		
005	002	94002000030	COLLAR		2		
005	003	V4111600140	WASHER , PLAIN	M14	1		
005	004	94002000130	WRENCH BOLT	M14	1		
005	005	86402000140	NYLON NUT	M14	1		
005	006	94002000060A	SHAFT , WHEEL		4		
005	007	94002000220	M16 BOLT	M16	4		
005	008	V4111600160	WASHER , PLAIN	M16	4		
005	009	94002000070	WHEEL		4		
005	010	V3013600120	NUT , HEX/2	M12	4		
005	011	94002000110	PIN		4		
005	012	16735240060	SPRING 45		4		

MOWER DECK SERVICE



MOWER KIT SERVICE PARTS BREAKDOWN

KEY NO.		PART NO.	DESCRIPTION	SPEC.	QTY.	REPAIR	EFFECTIVE DATE
006	001	94001006040GB	BRACKET A RH		1		
006	002	94001006010GB	BRACKET A LH		1		
006	003	94001006300GB	LOCK COMP		1		
006	004	94001006400GB	MOVING COMP A		1		
006	005	94001006500GB	MOVING COMP B		1		
006	006	94001001010GB	PLATE		1		
006	007	94001001300GB	BRACKET COMP		1		
006	008	94001001210GB	PLATE		2		
006	009	94001001020GB	PLATE LINK LH		1		
006	010	94001001030GB	PLATE LINK RH		1		
006	011	94001001110GB	PLATE LINK LH		1		
006	012	94001001140GB	LINK PLATE		1		
006	013	94001004200GB	ROTATION COMP LH		1		
006	014	94001004600	PIN COMP		2		
006	015	94001005200GB	ROTATION COMP RH		1		
006	016	94001006600	PIN COMP		1		
006	017	94001002110GB	PLATE LINK RH		1		
006	018	94001004100GB	ANCHOR COMP LH		1		
006	019	94001005100GB	ANCHOR COMP RH		1		
006	020	94001000400	YOKE COMP		2		
006	021	94001004020	BAR , M12		2		
006	022	94001003010	CROSS BAR		1		
006	023	94001005330GB	LINK BRACKET COMP RH		1		
006	024	94001004330GB	LINK BRACKET COMP LH		1		
006	025	V4111600120	WASHER , PLAIN	M12	32		
006	026	94001001160	PIN		1		
006	027	94001001130	PIN		4		
006	028	94001004040	PIN		2		

MOWER KIT SERVICE PARTS BREAKDOWN

KEY NO.		PART NO.	DESCRIPTION	SPEC.	QTY.	REPAIR	EFFECTIVE DATE
006	029	94001004050	PIN		2		
006	030	94001004060	PIN		2		
006	031	94001004030	ROTATION BOLT		1		
006	032	94001004070	SPRING , 3P		2		
006	033	36714930020	SPRING , HC113		1		
006	034	16735240060	SPRING 45		5		
006	035	94001004080	FLAT WASHER		2		
006	036	V2004616045	BOLT , HEX	M16X45	4		
006	037	V2004614035	BOLT , HEX	M14X35	4		
006	038	V2004612045	BOLT , HEX	M12X45	13		
006	039	94001001220	RUBBER		2		
006	040	V2004610055	BOLT , HEX	M10X55	2		
006	041	86402000140	NYLON NUT	M14	2		
006	042	84200001200	NYLON NUT	M12	3		
006	043	V4111600160	WASHER , PLAIN	M16	8		
006	044	V4111600140	WASHER , PLAIN	M14	9		
006	045	94001004130	RUBBER		2		
006	046	V3013600160	NUT , HEX/2	M16	8		
006	047	94001004090	WASHER	M32	2		
006	048	V3013600140	NUT , HEX/2	M14	4		
006	049	V3013600100	NUT , HEX/2	M10	2		
006	050	V3013600120	NUT , HEX/2	M12	19		
006	051	V5001920025	PIN , SPLIT	2X25	1		
006	052	V5001940025	PIN , SPLIT	4X25	4		
006	053	V5001950030	PIN , SPLIT	5X30	2		
006	054	V5001950045	PIN , SPLIT	5X45	2		
006	055	94001004350	BUSH		2		
006	056	V4111600180	WASHER , PLAIN	M18	1		
006	057	V2004612040	BOLT , HEX	M12X40	2		