



Illustrated Parts List

Model Series

217900

TYPE NUMBER
0015 through 4149.

TABLE OF CONTENTS

Air Cleaner	6
Alternator	9
Blower Housing	6
Camshaft	3
Carburetor	5
Controls	8
Crankshaft	3
Cylinder	2
Cylinder Head	4
Electric Starter	9
Engine Sump	2
Exhaust System	6
Flywheel	7
Fuel Supply	8
Gasket Set - Engine	4
Gasket Set - Valve	4
Intake Manifold	4
Ignition	9
Kit - Carburetor Overhaul	5
Lubrication	3
Operator's Manual	2
Piston, Rings, Connecting Rod	3
Rewind Starter	9
Valves	4
Warning Label	2

Not for reproduction



PRINTED IN U.S.A.

COPYRIGHT by BRIGGS & STRATTON CORPORATION
All rights reserved. No part of this material may be reproduced or transmitted, in any form or by any means, electronic or mechanical, including photocopying, recording or by any information storage and retrieval system, without permission in writing from Briggs & Stratton Corporation.

1319 WARNING LABEL

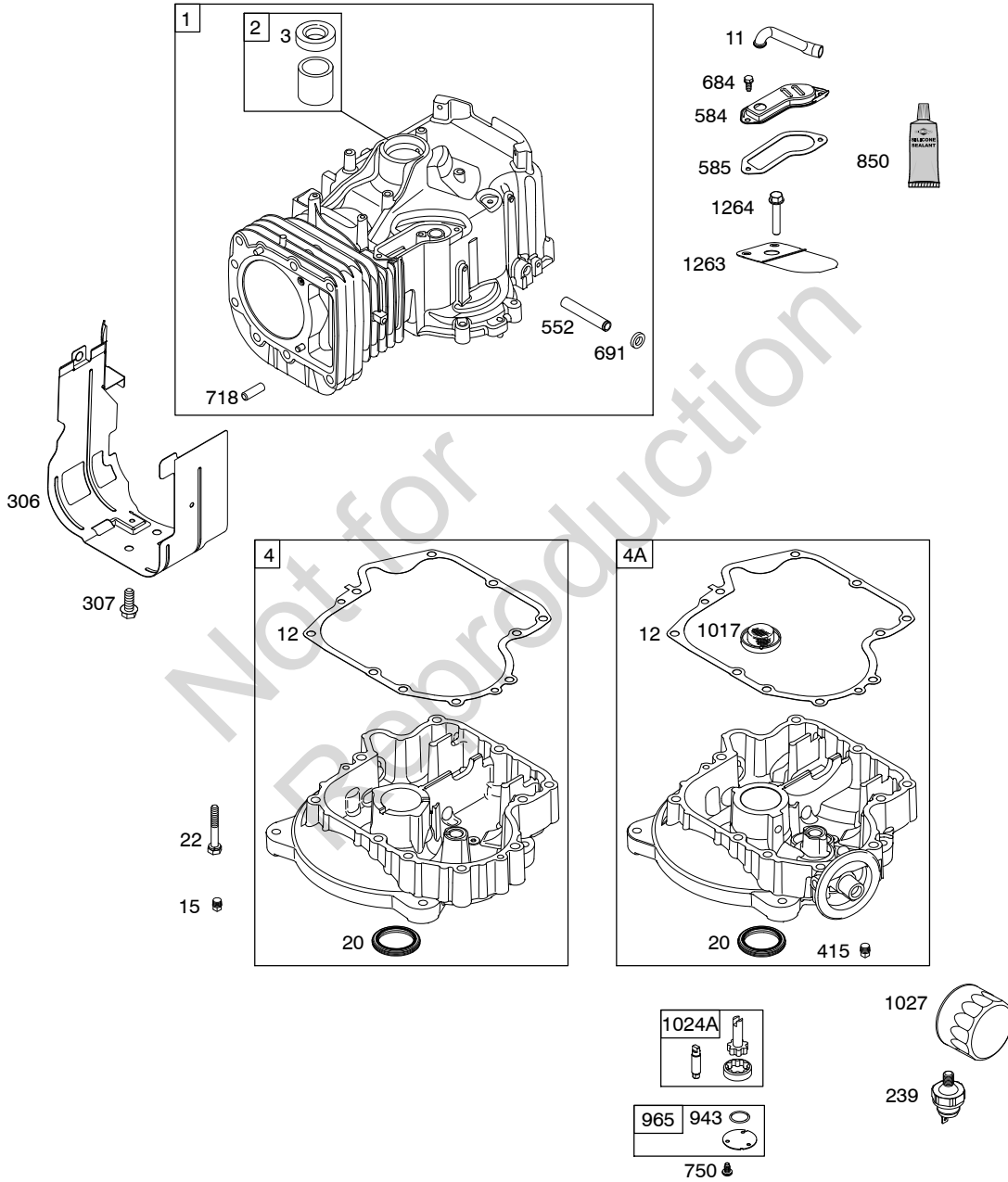


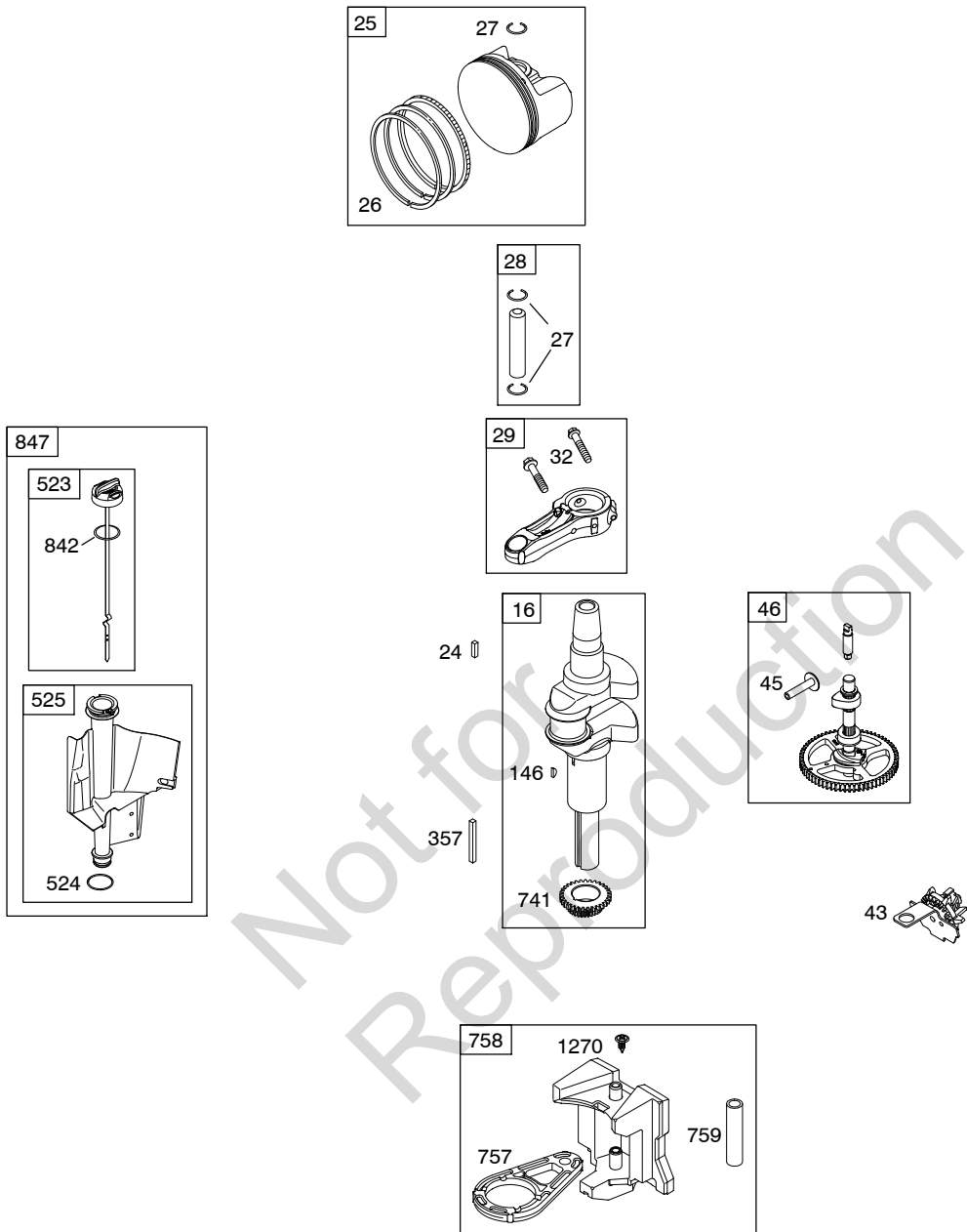
REQUIRED when replacing parts with warning labels affixed.

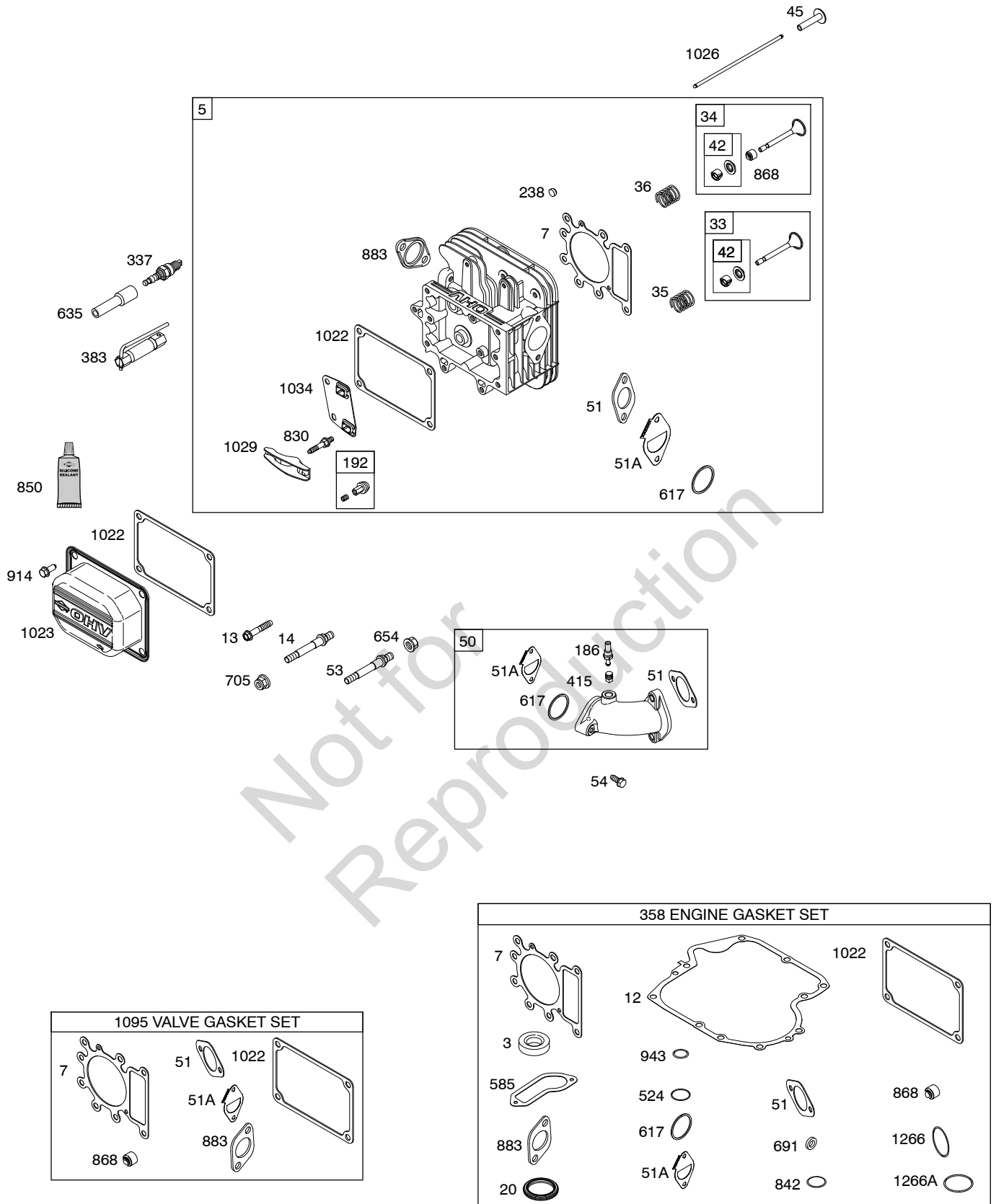
1058 OPERATOR'S MANUAL



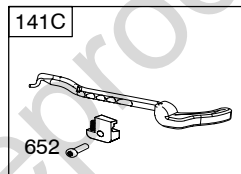
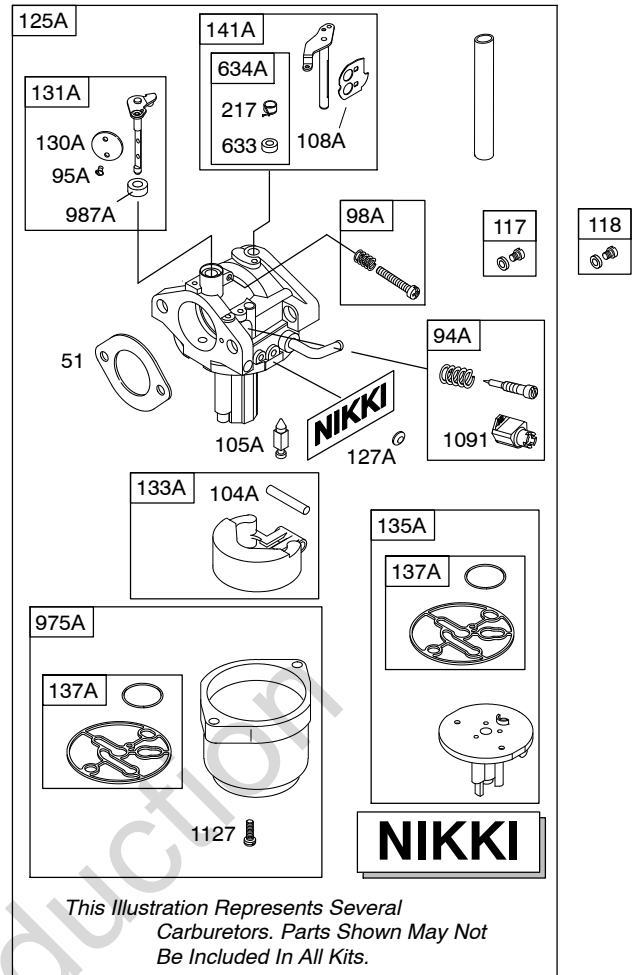
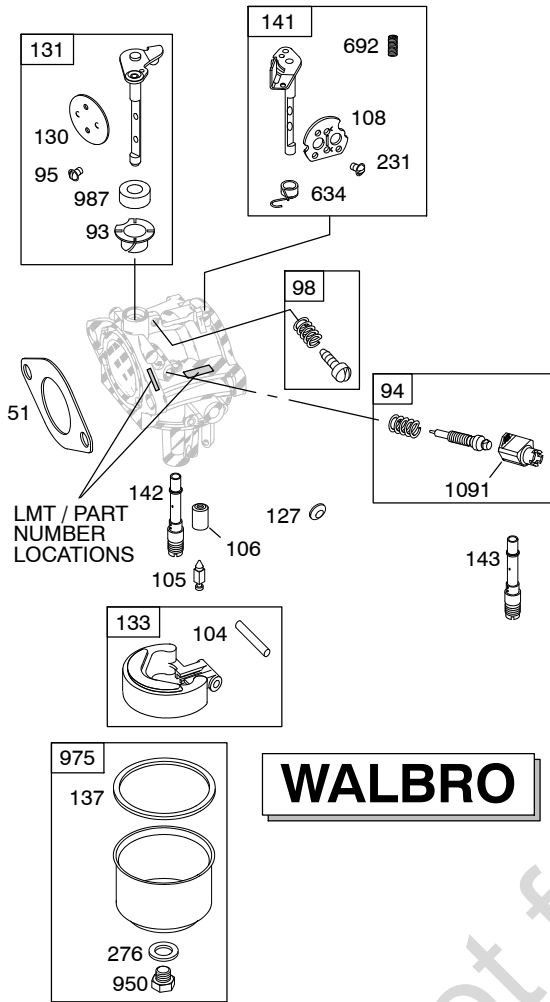
1036 EMISSIONS LABEL







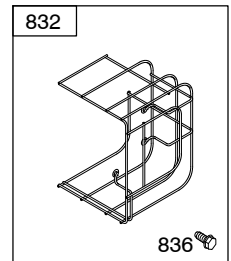
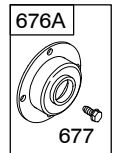
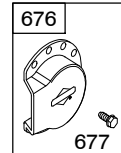
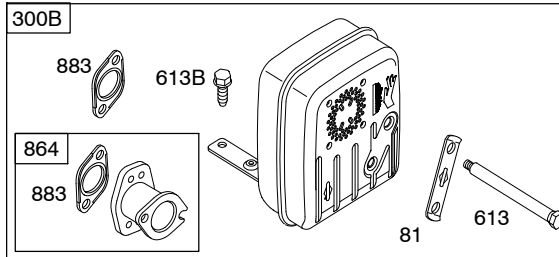
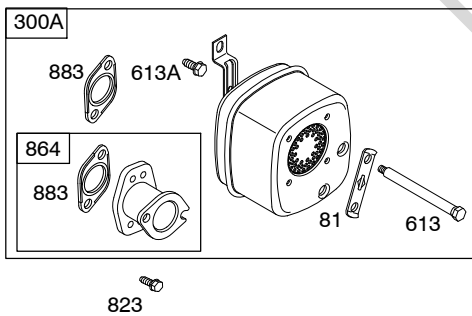
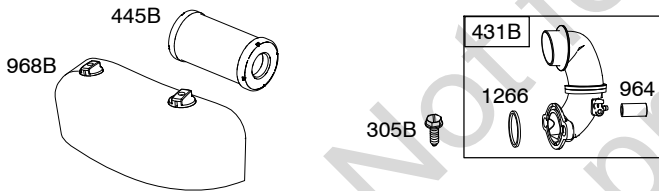
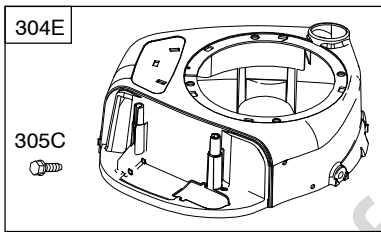
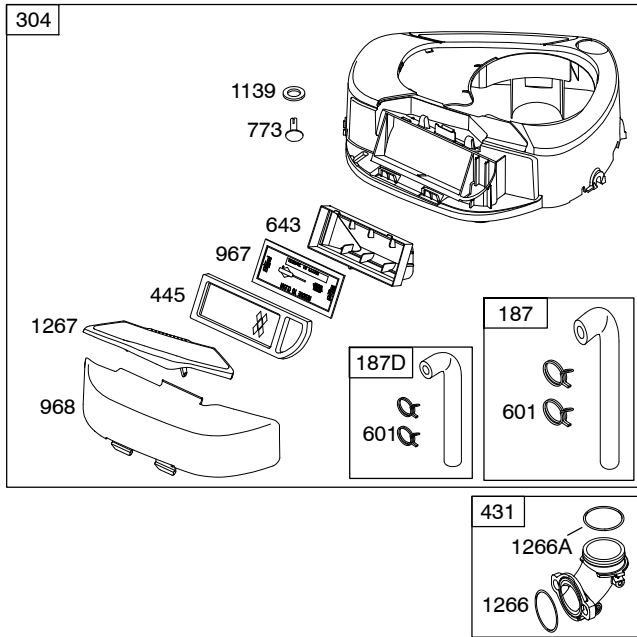
Illustrations cover a range of engines. Parts shown without corresponding text may not be used on your specific engine. 5708-4 Assemblies include all parts shown in frames. 01/03/2012



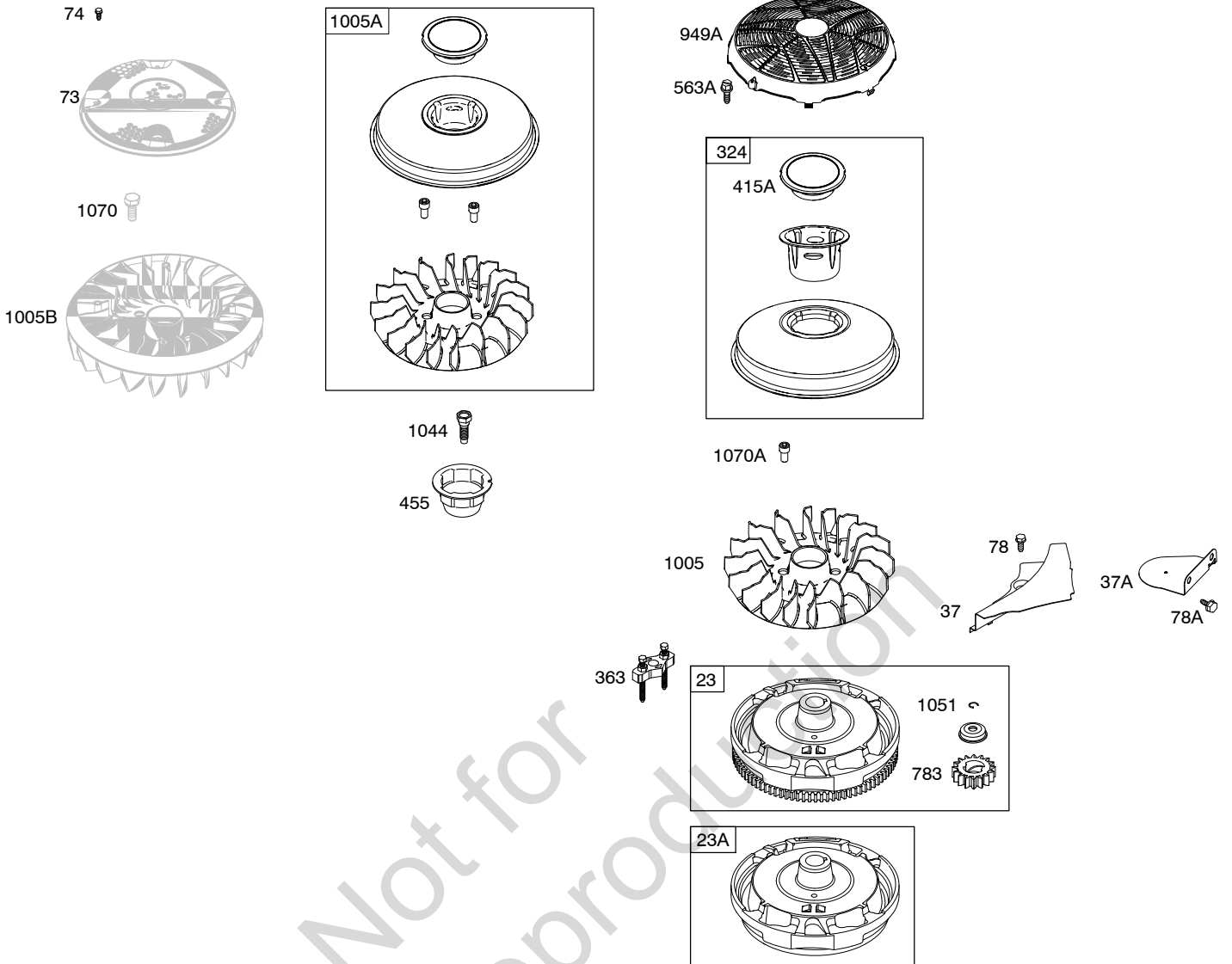
121 CARBURETOR OVERHAUL KIT			
51	104	137	634
	105		987
93	106	142	1266
95	127	276	1266A

121A CARBURETOR OVERHAUL KIT			
51	127A	137A	98A
104A	987A		
105A	633	1266	217
51A	617	1266A	

217900

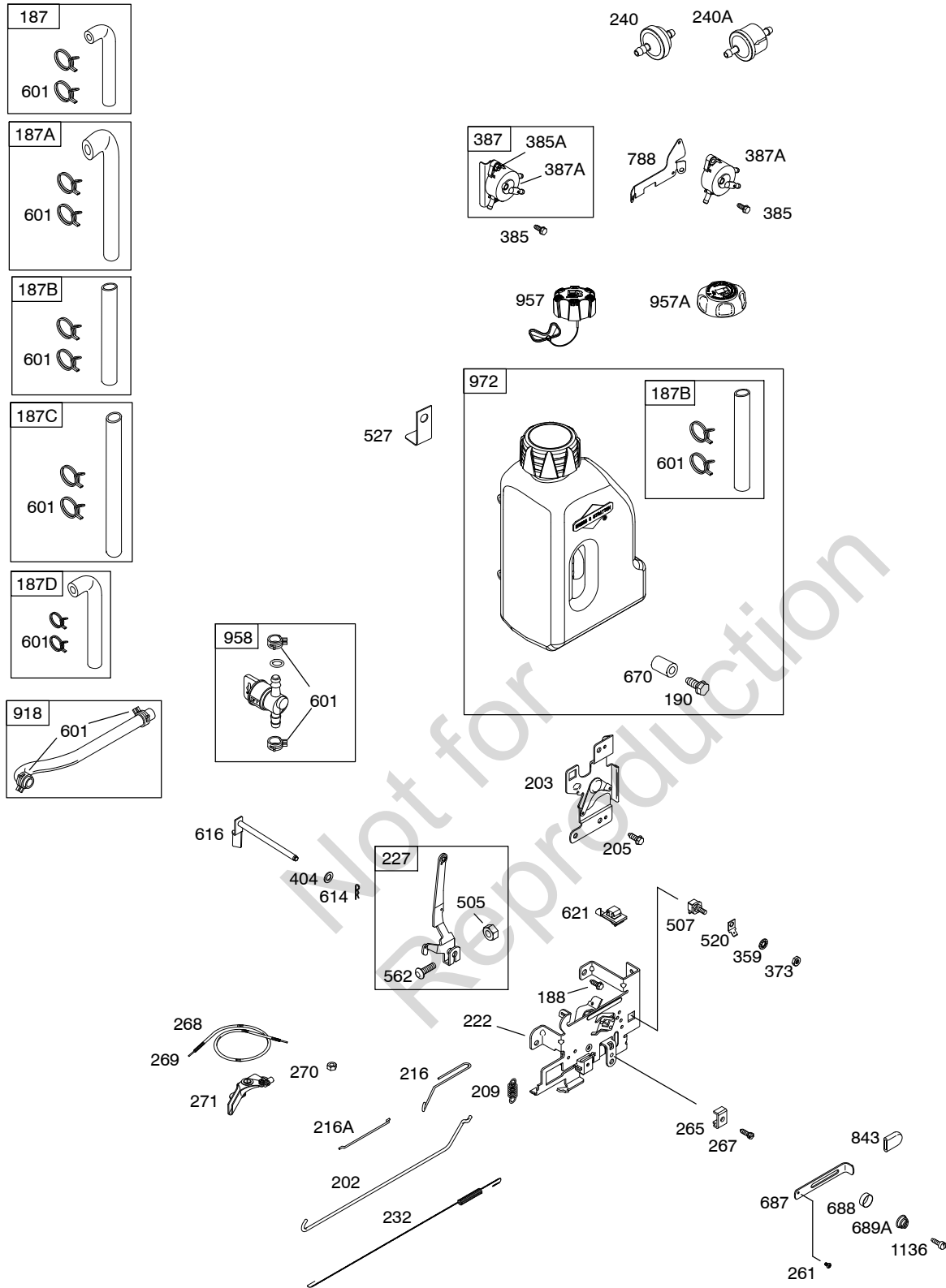


Illustrations cover a range of engines. Parts shown without corresponding text may not be used on your specific engine.

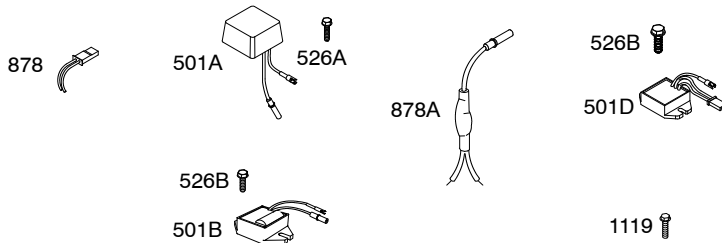
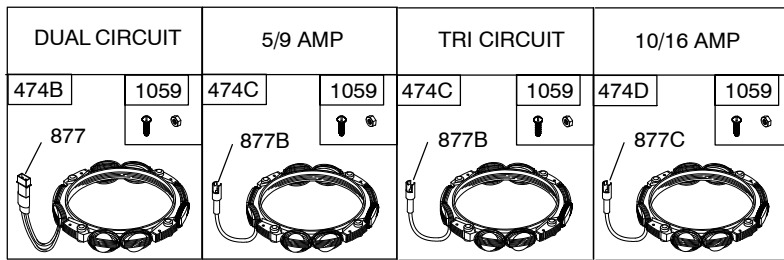



Not for
Reproduction

217900

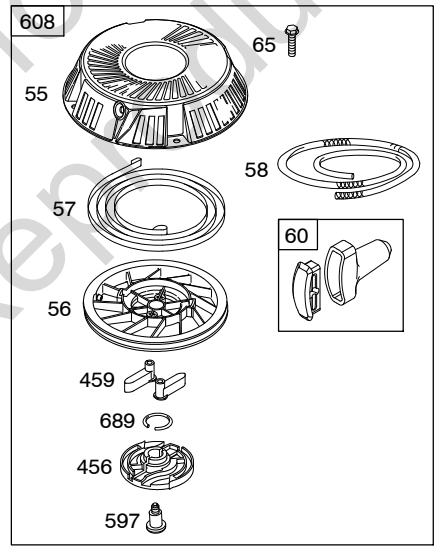
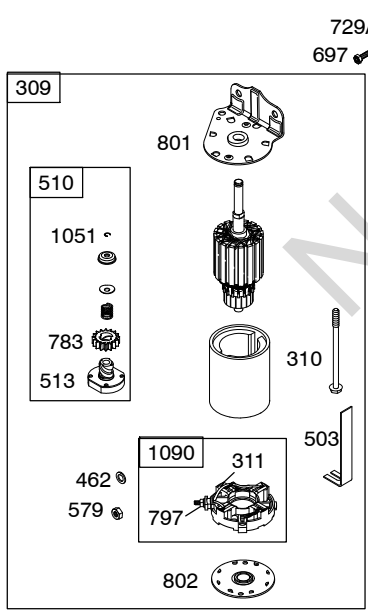
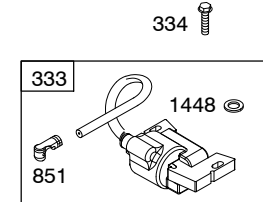
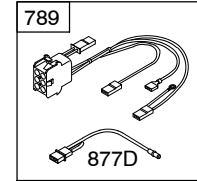
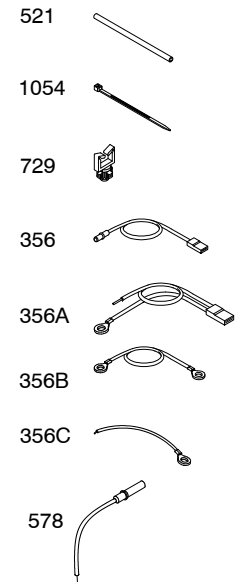


Illustrations cover a range of engines. Parts shown without corresponding text may not be used on your specific engine.
5708-8 Assemblies include all parts shown in frames. **01/03/2012**



NOTE: All stators use a No. 1119 mounting screw. 

NOTE: The proper flywheel part number and/or the alternator magnet size will determine the alternator type or output. See repair instruction manual for additional information.



217900

REF. NO.	PART NO.	DESCRIPTION	REF. NO.	PART NO.	DESCRIPTION	REF. NO.	PART NO.	DESCRIPTION
1	697377	Cylinder Assembly	22	692125	Screw (Crankcase Cover/Sump)	28	697099	Pin-Piston
2	797673	Kit-Bushing/Seal (Magneto Side)	23	698281	Flywheel Used on Type No(s). 0025, 0028, 0112, 0118, 0128, 0133, 0135, 3025, 4028.	29	791633	Rod-Connecting (Standard)
3	391086S	Seal-Oil (Magneto Side)				32	791118	Screw (Connecting Rod)
4	697106	Sump-Engine (Used After Code Date 05100200). ----- Note ----- 795940 Sump-Engine (Used Before Code Date 05100200). Must Use Kit 795940, Includes Sump And Counterweight.				33	792868	Valve-Exhaust
4A	697188	Sump-Engine Used on Type No(s). 0110, 0111, 0129, 0145, 0152, 0153, 0157, 0158, 1153. ----- Note ----- 697188 Sump-Engine (Used After Code Date 05100200). Used on Type No(s). 0112, 0118, 0122. 795957 Sump-Engine (Used Before Code Date 05100200). Used on Type No(s). 0112, 0118, 0122. Must Use Kit 795957, Includes Sump And Counterweight.	23A	693555	Flywheel Used on Type No(s). 0019, 0111, 0116, 0123, 0143, 0149, 0154, 3019, 4135, 4149. 693556 Flywheel Used on Type No(s). 0110, 0125, 0129, 0140, 0141, 0142, 0152.	34	791935	Valve-Intake
5	796183	Head-Cylinder				35	691279	Spring-Valve (Intake)
7	273280S	Gasket-Cylinder Head				36	691279	Spring-Valve (Exhaust)
11	794683	Tube-Breather (Used After Code Date 07071800). ----- Note ----- 697113 Tube-Breather (Used Before Code Date 07071900).	24	222698S	Key-Flywheel	37	697352	Guard-Flywheel
12	697110	Gasket-Crankcase (.015" Thick) (Standard)	25	792307	Piston Assembly (Standard) ----- Note ----- 792728 Piston Assembly (.020" Oversize)	37A	697626	Guard-Flywheel (Equip For Electric Start) Used on Type No(s). 0015, 0016, 0020, 0110, 0117, 0119, 0124, 0127, 0130, 0134, 0145, 0148, 0152, 0153, 0155, 0158, 1153, 3015, 3148, 4020.
13	690360	Screw (Cylinder Head)				42	499586	Keeper-Valve
14	790560	Stud (Cylinder Head)				43	691968	Slinger-Governor/Oil
15	690946	Plug-Oil Drain (3/8" Standard)				45	690564	Tappet-Valve
16	697390	Crankshaft				46	793880	Camshaft
20	795387	Seal-Oil (PTO Side)				50	591245	Manifold-Intake (Used After Code Date 11120100). ----- Note ----- 796188 Manifold- Intake (Used Before Code Date 11120200).
			26	792306	Ring Set (Standard) ----- Note ----- 792643 Ring Set (.020" Oversize)	51	692137	Gasket-Intake
			27	698469	Lock-Piston Pin (Used After Code Date 02100300). ----- Note ----- 698138 Lock-Piston Pin (Used Before Code Date 02100400).	51A	791312	Gasket-Intake
						53	591260	Stud (Carburetor) (Used After Code Date 11120100). ----- Note ----- 690227 Stud (Carburetor) (Used Before Code Date 11120200).
						54	691148	Screw (Intake Manifold)

Illustrations cover a range of engines. Parts shown without corresponding text may not be used on your specific engine.
5708-10 Assemblies include all parts shown in frames. 01/03/2012

REF. NO.	PART NO.	DESCRIPTION	REF. NO.	PART NO.	DESCRIPTION	REF. NO.	PART NO.	DESCRIPTION
55	695130	Housing-Rewind Starter	104	690525	Pin-Float Hinge (Walbro)		794352	Jet-Main (Nikki Standard)
56	695129	Pulley-Starter	104A	694918	Pin-Float Hinge (Nikki)			(Used Before Code Date 08042800 and After Code Date 07122500).
57	695131	Spring-Rewind Starter	105	231855S	Valve-Float Needle (Walbro)			Used on Type No(s). 0015G1, 0016G1, 0019G1, 0025G1, 0142G1.
58	695132	Rope-Starter (59" Long)	105A	696136	Valve-Float Needle (Nikki)			
		----- Note ----- 790415 Rope-Starter (99" Long)	106	690577	Seat-Inlet (Walbro)(Gravity Feed)			
60	493926	Grip-Starter Rope			----- Note ----- 691780 Seat-Inlet (Walbro)(Pump Feed)			794352 Jet-Main (Nikki Standard)
65	690759	Screw (Rewind Starter) (Used After Code Date 07040800).	108	691227	Valve-Choke (Walbro)			(Used Before Code Date 08110600 and After Code Date 07122500).
		----- Note ----- 697725 Screw (Rewind Starter) (Used Before Code Date 07040900).	108A	698773	Valve-Choke (Nikki)			Used on Type No(s). 0015E1, 0016E1, 0019E1, 0019E9, 0025E1, 0119, 0133, 0140, 0141.
73		Screen-Rotating (Used Before Code Date 07040900). (No Longer Available. See Reference 1005A For Service Flywheel Fan)	117	796079	Jet-Main (Nikki Standard)			Used on Type No(s). 0015E1, 0016E1, 0019E1, 0019E9, 0025E1, 0119, 0133, 0140, 0141.
					Used on Type No(s). 0110, 0111, 0129, 0130, 0148, 0149, 0152, 0153, 0154, 0155, 0157, 0158, 1153, 3015, 3019, 3025, 3148, 4020, 4028, 4135, 4149.			794352 Jet-Main (Nikki Standard)
74	697897	Screw (Rotating Screen) (Used Before Code Date 07040900).			----- Note ----- 796079 Jet-Main (Nikki Standard)			(Used Before Code Date 08121500 and After Code Date 07122500).
78	691693	Screw (Flywheel Guard)			(Used After Code Date 08042700).			Used on Type No(s). 0020, 0028, 0116, 0117, 0122, 0123, 0124, 0125, 0127, 0128, 0134, 0135, 0143.
78A	690364	Screw (Flywheel Guard) (Used on Type No(s). 0015, 0016, 0020, 0110, 0117, 0119, 0124, 0127, 0130, 0134, 0145, 0148, 0152, 0153, 0155, 0158, 1153, 3015, 3148, 4020.			Used on Type No(s). 0015G1, 0016G1, 0019G1, 0025G1, 0142G1, 0145.			699897 Jet-Main (Nikki Standard)
81	691178	Lock-Muffler Screw			796079 Jet-Main (Nikki Standard)			(Used Before Code Date 07122600).
93	690602	Bushing-Throttle Shaft			(Used After Code Date 08110500).			Used on Type No(s). 0015, 0016, 0019, 0020, 0025, 0028, 0112, 0116, 0117, 0118, 0119, 0122, 0123, 0124, 0125, 0127, 0127, 0128, 0133, 0134, 0135, 0140, 0141.
94	794176	Kit-Idle Mixture (Walbro)			Used on Type No(s). 0015E1, 0016E1, 0019E1, 0019E9, 0025E1, 0119, 0133, 0140, 0141.			
94A	793610	Kit-Idle Mixture (Nikki)			796079 Jet-Main (Nikki Standard)			(Used After Code Date 08121400).
95	691636	Screw (Throttle Valve) (Walbro)			Used on Type No(s). 0020, 0028, 0116, 0117, 0122, 0123, 0124, 0125, 0127, 0128, 0134, 0135, 0143.			
95A	690718	Screw (Throttle Valve)(Nikki)						
98	495800	Kit-Idle Speed (Walbro)						
98A	695408	Kit-Idle Speed (Nikki)						

Illustrations cover a range of engines. Parts shown without corresponding text may not be used on your specific engine.
5708-11 Assemblies include all parts shown in frames. 01/03/2012

217900

REF. NO.	PART NO.	DESCRIPTION	REF. NO.	PART NO.	DESCRIPTION	REF. NO.	PART NO.	DESCRIPTION			
118	698788	Jet-Main (Nikki High Altitude) Used on Type No(s). 0110, 0111, 0129, 0130, 0148, 0149, 0152, 0153, 0154, 0155, 0157, 0158, 1153, 3015, 3019, 3025, 3148, 4020, 4028, 4135, 4149. ----- Note ----- 698788 Jet-Main (Nikki High Altitude) (Used After Code Date 08042700). Used on Type No(s). 0015G1, 0016G1, 0019G1, 0025G1, 0142G1, 0145. 698788 Jet-Main (Nikki High Altitude) (Used After Code Date 08110500). Used on Type No(s). 0015E1, 0016E1, 0019E1, 0019E9, 0025E1, 0119, 0133, 0140, 0141. 698788 Jet-Main (Nikki High Altitude) (Used After Code Date 08121400). Used on Type No(s). 0020, 0028, 0116, 0117, 0122, 0123, 0124, 0125, 0127, 0128, 0134, 0135, 0143.									
				791405	Jet-Main (Nikki High Altitude) (Used Before Code Date 08042800 and After Code Date 07122500). Used on Type No(s). 0015G1, 0016G1, 0019G1, 0025G1, 0142G1. 791405 Jet-Main (Nikki High Altitude) (Used Before Code Date 08110600 and After Code Date 07122500). Used on Type No(s). 0015E1, 0016E1, 0019E1, 0019E9, 0025E1, 0119, 0133, 0140, 0141. 791405 Jet-Main (Nikki High Altitude) (Used Before Code Date 08121500 and After Code Date 07122500). Used on Type No(s). 0020, 0028, 0116, 0117, 0122, 0123, 0124, 0125, 0127, 0128, 0134, 0135, 0143. 699898 Jet-Main (Nikki High Altitude) (Used Before Code Date 07122600). Used on Type No(s). 0015, 0016, 0019, 0020, 0025, 0028, 0112, 0116, 0117, 0118, 0119, 0122, 0123, 0124, 0125, 0127, 0128, 0133, 0134, 0135, 0140, 0141.						
			121	796185	Kit-Carburetor Overhaul (Walbro)						
			121A	796184	Kit-Carburetor Overhaul (Nikki)	125A	590399	Carburetor (Nikki) Used on Type No(s). 0110, 0111, 0129, 0130, 0148, 0149, 0152, 0153, 0154, 0155, 0157, 0158, 1153, 3015, 3019, 3025, 3148, 4020, 4028, 4135, 4149. ----- Note ----- 590399 Carburetor (Nikki) (Used After Code Date 08042700). Used on Type No(s). 0015G1, 0016G1, 0019G1, 0025G1, 0142G1, 0145. 590399 Carburetor (Nikki) (Used After Code Date 08110500). Used on Type No(s). 0015E1, 0016E1, 0019E1, 0019E9, 0025E1, 0119, 0133, 0140, 0141. 590399 Carburetor (Nikki) (Used After Code Date 08121400). Used on Type No(s). 0020, 0028, 0112, 0116, 0117, 0118, 0122, 0123, 0124, 0125, 0127, 0128, 0134, 0135, 0143.			

REF. NO.	PART NO.	DESCRIPTION	REF. NO.	PART NO.	DESCRIPTION	REF. NO.	PART NO.	DESCRIPTION
	794653	Carburetor (Nikki) (Used Before Code Date 08042800). Used on Type No(s). 0015G1, 0016G1, 0019G1, 0025G1, 0142G1.	141C	793386	Kit-Choke Shaft (Manual Choke)	209	792813	Spring-Governor Used on Type No(s).
	794653	Carburetor (Nikki) (Used Before Code Date 08110600). Used on Type No(s). 0015E1, 0016E1, 0019E1, 0019E9, 0025E1, 0119, 0133, 0140, 0141.	142	790025	Nozzle-Carburetor (Standard)(Walbro)			0015, 0016, 0019, 0020, 0025, 0028, 0111, 0112, 0117, 0118, 0122, 0123, 0124, 0125, 0127, 0128, 0133, 0134, 0135, 0140, 0141, 0142, 0143, 0148, 0154, 0155, 0157, 3015, 3019, 3025, 3148, 4020, 4028, 4135.
	794653	Carburetor (Nikki) (Used Before Code Date 08121500). Used on Type No(s). 0020, 0028, 0112, 0116, 0117, 0118, 0122, 0123, 0124, 0125, 0127, 0128, 0134, 0135, 0143.	146	691639	Key-Timing			----- Note -----
127	694524	Plug-Welch (Walbro)	186	794873	Connector-Hose			796260 Spring-Governor Used on Type No(s). 0129, 0145, 0152, 0153, 1153.
127A	690727	Plug-Welch (Nikki)	187	791805	Line-Fuel (Formed)(10-1/4 Inches Long)(Cut to Required Length)			792602 Spring-Governor Used on Type No(s). 0110, 0116, 0130, 0149, 0158, 4149.
130	790024	Valve-Throttle (Walbro)	187A	791806	Line-Fuel (Formed)(21 Inches Long)(Cut To Required Length)			796261 Spring-Governor Used on Type No(s). 0119.
130A	698774	Valve-Throttle (Nikki)	187B	791766	Line-Fuel (15 Inches Long)(Cut To Required Length)	216	691840	Link-Choke
131	790901	Kit-Throttle Shaft (Walbro)	187C	791745	Line-Fuel (23 Inches Long)(Cut To Required Length)	216A	691281	Link-Choke (Bell Crank) Used on Type No(s). 0028, 0110, 0116, 0117, 0143, 0148, 0149, 0154, 3148, 4028, 4149.
131A	698776	Kit-Throttle Shaft (Nikki)	187D	791744	Line-Fuel (14 Inches Long)(Cut To Required Length)			222 694042 Bracket-Control
133	494381	Float-Carburetor (Walbro)	188	691693	Screw (Control Bracket)			227 691374 Lever-Governor Control
133A	694914	Float-Carburetor (Nikki)	190	796174	Screw (Fuel Tank Bracket)			231 691636 Screw (Choke Valve)
135A	698780	Tube-Fuel Transfer (Nikki)(Gravity Feed)	192	691986	Adjuster-Rocker Arm			232 691842 Spring-Governor Link
		----- Note -----	202	691841	Link-Mechanical Governor			238 691843 Cap-Valve
		792022 Tube-Fuel Transfer (Nikki)(Pump Feed)	203	691381	Crank-Bell			239 491657S Switch-Oil Pressure
137	281165s	Gasket-Float Bowl (Walbro)	205	691693	Screw (Bell Crank)			240 394358s Filter-Fuel (White, 75 Microns) Used on Type No(s). 0015, 0016, 0019, 0025, 0111, 0118, 0119, 0129, 0133, 0140, 0141, 0142, 0145, 0152, 3019, 3015, 3025.
137A	698781	Gasket-Float Bowl (Nikki)						
141	790902	Kit-Choke Shaft (Walbro)						
141A	698778	Kit-Choke Shaft (Nikki)						

Illustrations cover a range of engines. Parts shown without corresponding text may not be used on your specific engine.
5708-13 Assemblies include all parts shown in frames. 01/03/2012

217900

REF. NO.	PART NO.	DESCRIPTION	REF. NO.	PART NO.	DESCRIPTION	REF. NO.	PART NO.	DESCRIPTION
240A	691035	Filter-Fuel (Includes Paper Element With A 40 Micron Rating) Used on Type No(s). 0020, 0028, 0110, 0112, 0116, 0117, 0122, 0123, 0124, 0125, 0127, 0128, 0130, 0134, 0135, 0143, 0148, 0149, 0153, 0154, 0155, 0157, 0158, 1153, 3148, 4020, 4028, 4135, 4149.	304	796414	Housing-Blower (Compatible With Panel Style Filter)	356	697397	Wire-Stop
			304E	799012	Housing-Blower (Compatible With Canister Style Filter) Used on Type No(s). 0110, 0111, 0129, 0130, 0153, 0154, 0155, 0157, 0158, 1153, 3015, 3019, 3025, 3148, 4020, 4028, 4135, 4149.	356A	398808	Wire-Stop
261	697176	Screw (Control Slide)	305	697102	Screw (Blower Housing)	356B	697089	Wire-Stop
265	691024	Clamp-Casing	305A	793376	Screw (Non-Grommet Style Blower Housing)	356C	399222	Wire-Stop
267	794904	Screw (Casing Clamp)	305B	795891	Screw (Blower Housing To Intake Elbow)	357	691483	Key-Drive Pulley
268	691025	Casing-Control Wire (Cut To Required Length)	305C	799370	Screw (Grommet Style Blower Housing)	358	796181	Gasket Set-Engine
269	691026	Wire-Control (Cut To Required Length)	306	697359	Shield-Cylinder	359	691077	Washer (Ground Terminal)
270	691027	Nut (Control Wire Casing)	307	691693	Screw (Cylinder Shield)	363	19203	Puller-Flywheel
271	691028	Lever-Control	309	693551	Motor-Starter Used on Type No(s). 0019, 0025, 0028, 0110, 0111, 0112, 0116, 0118, 0122, 0123, 0125, 0128, 0129, 0133, 0135, 0140, 0141, 0142, 0143, 0149, 0154, 0157, 3019, 3025, 4028, 4135, 4149.	373	691612	Nut (Ground Terminal)
276	692255	Washer-Sealing				383	89838S	Wrench-Spark Plug
300A	796000	Muffler Used on Type No(s). 0015, 0016, 0019, 0020, 0025, 0028, 0110, 0111, 0112, 0118, 0123, 0124, 0125, 0127, 0128, 0130, 0133, 0134, 0135, 0140, 0141, 0142, 0143, 0153, 0154, 0155, 0158, 1153, 3015, 3019, 3025, 4020, 4028, 4135.	310	690323	Screw (Starter Motor)	385	694476	Screw (Fuel Pump)
			311	497608	Brush Set	385A	690297	Screw (Fuel Pump)
			324	796308	Screen-Rotating (Used After Code Date 07040800).	387	697090	Pump-Fuel (Includes Mounting Bracket) (Used Before Code Date 08073000).
300B	795997	Muffler Used on Type No(s). 0116, 0117, 0119, 0122, 0129, 0145, 0148, 0149, 0152, 0157, 3148, 4149.	333	799650	Armature-Magneto	387A	808656	Pump-Fuel
			334	691061	Screw (Magneto Armature)	404	691691	Washer (Governor Crank)
			337	491055S	Plug-Spark ----- Note ----- 691043 Plug-Spark Used on Type No(s). 0110, 0112, 0116, 0117, 0118, 0119, 0148, 0149, 0153, 1153, 3148, 4149.	415	794903	Plug (Sump)
						415A	794129	Plug (Cover/Retainer)
						431	697122	Elbow-Intake
						431B	797901	Elbow-Intake Used on Type No(s). 0110, 0111, 0129, 0130, 0153, 0154, 0155, 0157, 0158, 1153, 3015, 3019, 3025, 3148, 4020, 4028, 4135, 4149.
						445	797007	Filter-Air Cleaner Cartridge (Panel Style)
						445B	796032	Filter-Air Cleaner Cartridge (Canister Style)
						455	695113	Cup-Flywheel
						456	695128	Plate-Pawl Friction
						459	281505S	Pawl-Ratchet
						462	691261	Washer (Starter Cable)
						474B	696459	Alternator (Dual Circuit)
						474C	696457	Alternator (5/9 Amp. Regulated Or Tri-Circuit)
						474D	696458	Alternator (10-16 Amp. Regulated)

Illustrations cover a range of engines. Parts shown without corresponding text may not be used on your specific engine.
5708-14 Assemblies include all parts shown in frames. 01/03/2012

REF. NO.	PART NO.	DESCRIPTION	REF. NO.	PART NO.	DESCRIPTION	REF. NO.	PART NO.	DESCRIPTION
501A	794360	Regulator (5/9 Amp.)	578	692306	Wire Assembly	621	692310	Switch-Stop
501B	698315	Regulator (9 Amp. Battery-Less Half Wave)	579	691029	Nut (Starter Cable)	633	699813	Seal-Choke/Throttle Shaft
501D	691185	Regulator (10-16 Amp.)	584	794682	Cover-Breather Passage (Use With Liquid Sealant Reference 850).	634	690802	Spring/Seal Assembly (Walbro)
503	691532	Strap-Starter	585	697109	Gasket-Breather (Used Before Code Date 07071900). (After Date Code Use Liquid Sealant Reference 850)	634A	698779	Spring/Seal Assembly (Nikki)
505	691251	Nut (Governor Control Lever)	597	691696	Screw (Pawl Friction Plate)	635	691909	Boot-Spark Plug
507	691972	Insulator	601	791850	Clamp-Hose (Green)	643	697155	Retainer-Air Filter
510	693699	Drive-Starter	608	695058	Starter-Rewind Used on Type No(s). 0015, 0016, 0019, 0020, 0110, 0111, 0116, 0119, 0123, 0124, 0125, 0127, 0130, 0134, 0135, 0143, 0148, 0149, 0153, 0154, 0155, 0157, 0158, 1153, 3148, 4020, 4028, 4135, 4149.	652	793380	Screw (Support Assy)
513	692024	Clutch-Drive			----- Note ----- 691038 Clamp-Hose (Black)	654	690958	Nut (Carburetor)
520	691084	Terminal-Ground				670	796175	Spacer
521	690581	Shield-Cable				676	795036	Deflector-Muffler (Side Out) Used on Type No(s). 0015, 0016, 0019, 0020, 0025, 0028, 0111, 0116, 0117, 0118, 0122, 0123, 0124, 0125, 0127, 0128, 0129, 0130, 0133, 0134, 0135, 0140, 0141, 0142, 0143, 0145, 0148, 0152, 0154, 0155, 0157, 0158, 3015, 3019, 3025, 3148, 4020, 4028, 4135, 4149.
523	699908	Dipstick				676A	396903	Deflector-Muffler (Direct Out) Used on Type No(s). 0112, 0153, 1153.
524	691032	Seal-Dipstick Tube				677	690661	Screw (Muffler Deflector)
525	697085	Tube-Dipstick Used on Type No(s). 0020, 0028, 0110, 0112, 0116, 0117, 0122, 0123, 0124, 0125, 0127, 0128, 0130, 0134, 0135, 0143, 0148, 0149, 0153, 0154, 0155, 0157, 0158, 1153, 3148, 4020, 4028, 4135, 4149. ----- Note ----- 697184 Tube-Dipstick Used on Type No(s). 0015, 0016, 0019, 0025, 0111, 0118, 0119, 0129, 0133, 0140, 0141, 0142, 0145, 0152, 3015, 3019, 3025.				678	697157	Screw (Breather Assembly)
526A	697088	Screw (Regulator)				687	697175	Slide-Control
526B	697348	Screw (Regulator)	613	691416	Screw (Muffler)	688	690395	Cap-Friction
527	792167	Clamp-Tube	613A	691678	Screw (Muffler)	689	691855	Spring-Friction
552	697144	Bushing-Governor Crank	613B	690297	Screw (Muffler)	689A	690529	Spring-Friction
562	691119	Bolt (Governor Control Lever)	614	691620	Pin-Cotter	691	692407	Seal-Governor Shaft
563A	799359	Screw (Debris Guard)	616	692012	Crank-Governor	692	691301	Spring-Detent
			617	692138	Seal-O Ring (Intake Manifold)	697	791680	Screw (Drive Cap)

Illustrations cover a range of engines. Parts shown without corresponding text may not be used on your specific engine.
5708-15 Assemblies include all parts shown in frames.

01/03/2012

217900

REF. NO.	PART NO.	DESCRIPTION	REF. NO.	PART NO.	DESCRIPTION	REF. NO.	PART NO.	DESCRIPTION
705	790561	Nut (Fuel Tank)	843	697158	Sleeve-Lever	949A	799358	Guard-Debris Screen
718	690959	Pin-Locating	847	790443	Dipstick/Tube Assembly	950	691657	Screw-Float Bowl (Bottom)
729	691335	Clip-Wire (Wire Retainer)			Used on Type No(s). 0020, 0028, 0110, 0112, 0116, 0117, 0122, 0123, 0124, 0125, 0127, 0128, 0130, 0134, 0135, 0143, 0148, 0149, 0153, 0154, 0155, 0157, 0158, 1153, 3148, 4020, 4028, 4135, 4149.	957	799719	Cap-Fuel Tank (Carbon In Cap) Used on Type No(s). 0158, 4020, 4028, 4135.
729A	691224	Clip-Wire (Starter Motor)				957A	795027	Cap-Fuel Tank (Standard)
741	697128	Gear-Timing				958	698183	Valve-Fuel Shut Off (Plastic)
750	790832	Screw (Oil Pump Cover)				964	799159	Cap-Connector
757	697607	Link-Counterweight				965	499613	Cover-Oil Pump
758	697391	Counterweight (Used After Code Date 05100200).				967	697292	Filter-Pre Cleaner
		----- Note -----				968	697420	Cover-Air Cleaner (Black)
		795940 Counterweight (Used Before Code Date 05100300). Must Use Kit 795940, Includes Sump And Counterweight.				968B	799016	Cover-Air Cleaner (Black)
		697391 Counterweight (Used After Code Date 05100200). Used on Type No(s). 0112, 0118, 0122.				972	799111	Tank-Fuel (Fluorinated)
		795957 Counterweight (Used Before Code Date 05100300). Used on Type No(s). 0112, 0118, 0122. Must Use Kit 795957, Includes Sump And Counterweight.						----- Note -----
								792168 Tank-Fuel (Standard)
759	697392	Pin-Counterweight	850	100106	Sealant-Liquid (Rocker Cover Gasket and Breather Gasket)	975	495933	Bowl-Float (Walbro)
773	796448	Retainer	851	692424	Terminal-Spark Plug	975A	698783	Bowl-Float (Nikki)
783	693713	Gear-Pinion	864	796002	Adapter-Muffler (Length 2.25 Inches)	977	690192	Gasket Set-Carburetor (Walbro)
788	699347	Bracket-Fuel Pump (Used Before Code Date 08073000).	868	690968	Seal-Valve	987	691326	Seal-Throttle Shaft (Walbro)
			877	393456	Wire/Connector- Alternator (Dual Circuit)	987A	698777	Seal-Throttle Shaft (Nikki)
789	698329	Harness-Wiring	877B	393537	Wire/Connector- Alternator (5/9 Amp. Regulated Or Tri-Circuit)	1005	796082	Fan-Flywheel (Used After Code Date 07040800).
797	693167	Nut (Brush Retainer)	877C	399916	Wire/Connector- Alternator (10-16 Amp Regulated)	1005A	796200	Fan-Flywheel (Used Before Code Date 07040900).
801	691283	Cap-Drive	877D	790544	Harness-Wiring	1005B		Fan-Flywheel (No Longer Available) (See Reference 1005A For Service Flywheel Fan).
802	691286	Cap-End	878	398661	Harness-Alternator (Dual Circuit)	1017	796981	Screen-Oil Pump
823	698941	Screw (Muffler Adapter)	878A	691955	Harness-Alternator (Tri-Circuit)	1022	272475S	Gasket-Rocker Cover (Used Before Code Date 07091000). (After Date Code Use Liquid Sealant Reference 850)
830	691095	Stud-Rocker Arm	883	692236	Gasket-Exhaust			
832	790293	Guard-Muffler	914	691108	Screw (Rocker Cover)			
836	690367	Screw (Muffler Guard)	918	791851	Hose-Vacuum			
842	691031	Seal-O Ring (Dipstick Tube)	943	690589	Seal-O Ring (Oil Pump Cover)			

Illustrations cover a range of engines. Parts shown without corresponding text may not be used on your specific engine.
5708-16 Assemblies include all parts shown in frames. 01/03/2012

REF. NO.	PART NO.	DESCRIPTION	REF. NO.	PART NO.	DESCRIPTION	REF. NO.	PART NO.	DESCRIPTION
1023	797421	Cover-Rocker	1044	698139	Screw (Flywheel)	1127	695407	Screw (Float Bowl)(Nikki)
1024A	794644	Pump-Oil	1051	691265	Ring-Retaining	1136	690278	Screw (Control Bracket)
1026	794573	Rod-Push (Exhaust)	1054	280275	Tie-Cable	1139	796449	Washer
		----- Note -----	1058	276344	Manual-Operator's	1263	697124	Reed-Breather
		697394 Rod-Push (Intake)	1059	698516	Kit-Screw/Washer	1264	697104	Screw (Breather Reed)
1027	492932S	Filter-Oil (Standard)	1070	791680	Screw (Flywheel Fan) (Used Before Code Date 07040900).	1266	691917	Seal-O Ring (Intake Elbow)
1029	691751	Arm-Rocker	1070A	690363	Screw (Flywheel Fan) (Used Before Code Date 08061900 and After Code Date 07040800).	1266A	697123	Seal-O Ring (Intake Elbow)
1034	690822	Guide-Push Rod				1267	697419	Latch-Blower Housing (Black)
1036		Label-Emissions (Available From A Briggs & Stratton Authorized Dealer)	1090	691293	Retainer-Brush	1270	793243	Plug-AVS Counterweight
1040	698368	Plate-Trim Used on Type No(s). 0112, 0118.	1091	691333	Cap-Limiter	1319	794467	Label-Warning
1040A	697381	Plate-Trim Used on Type No(s). 0025, 0028, 0122, 0128, 0133, 0140, 0141, 0142, 0157, 3025, 4028.	1095	796189	Gasket Set-Valve	1448	690260	Washer (Magneto Armature)
			1119	691183	Screw (Alternator)			

Illustrations cover a range of engines. Parts shown without corresponding text may not be used on your specific engine.
5708-17

Assemblies include all parts shown in frames.

01/03/2012

Not for
Reproduction

Not for
Reproduction

Not for
Reproduction

