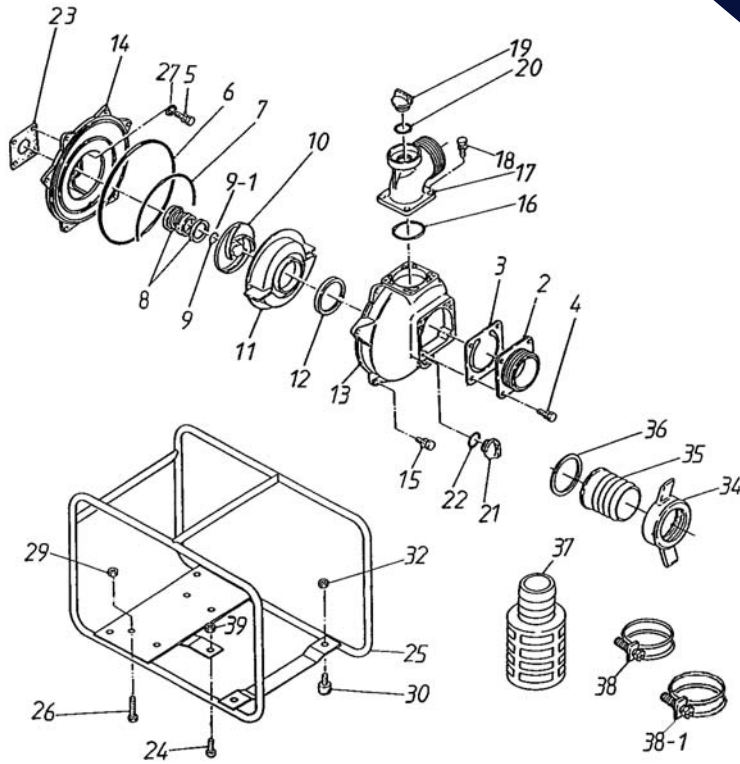


# Aussie Pumps



Pos	Part number	Description	Qty	List price
2	4328-100160	3" SUCTION COVER	1	
3	1378-350350	CHECK VALVE	1	
4	018105-0825	BOLT SET WITH SPRING WASHER	4	
5	019115-0525	BOLT	4	
6	048935-2550	O-RING (CASING)	1	
7	1378-330640	VOLUTE ROPE PACKING	1	
8	080311-2320	MECHANICAL SEAL	1	
9			1	
9	085283-1400	ADJUST LINER (5/8" P shaft GX160E & GX200E only)	1	
9-1			1	
9-1	085285-1600	ADJUST LINER (5/8" P shaft GX160E & GX200E only)	1	
10a			1	
10b			1	
10c	4337-000030	IMPELLER (5/8" P shaft GX160E & GX200E only)	1	
11	1378-100130	VOLUTE CASING	1	
12	1378-330620	VOLUTE CASING PACKING	1	
13	7304-100010	CASING	1	
14	9358-100020	MOUNTING FLANGE	1	
15	018105-0825	BOLT SET WITH SPRING WASHER	6	
16	1803-330660	DELIVERY COVER PACKING	1	
17	4328-100090	3" DELIVERY ELBOW	1	
18	018105-0825	BOLT SET WITH SPRING WASHER	4	
19	063121-1100ASS	FLOODING CAP WITH O-RING	1	
20	048035-0300	O-RING (FLOODING CAP)	1	
21	063121-1100ASS	DRAIN CAP WITH O-RING	1	
22	048035-0300	O-RING (DRAIN CAP)	1	
23	1211-390610	CASING COVER PACKING	1	
24	018105-0820	BOLT SET WITH SPRING WASHER	1	
25	1378-214012	FRAME	1	
26	010505-0840	BOLT	4	
27	045125-0080	SPRING WASHER	4	
29	020915-0080	FLANGE NUT	4	
30	072332-3040	CUSHION RUBBER	4	
32	020915-0080	FLANGE NUT	4	
34, 55, 36	COUPLING3"	HOSE COUPLING	2	
37	STRAINER3"	STRAINER	1	
38	093225-3000	WIRE HOSE BAND	3	
38-1	093225-0090	WIRE HOSE BAND	2	
39	020545-0080	NUT	1	

## Replacement Kits

Part number	Description	Positions	List Price
303-ORKT	O ring Kit	6, 7, 12, 16, 20, 22	
303REJ-2	Rejuvenation Kit	6, 7, 8, 9, 12, 16, 20, 23	



NOTE:

