

# CAIMAN

---

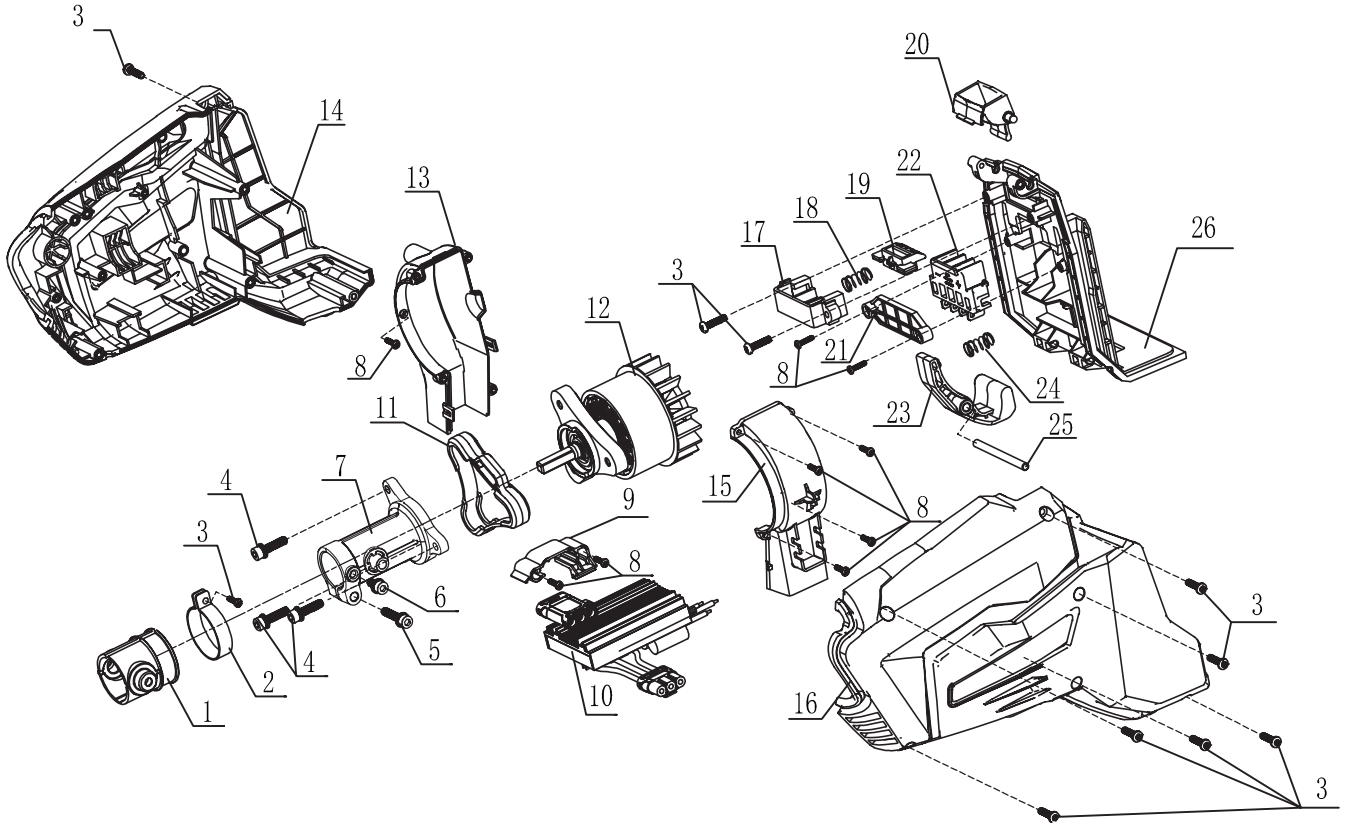
## Триммер аккумуляторный **ENO ВСТі**



# CAIMAN

## Loop handle brushcutter ENO BCTi

### Engine



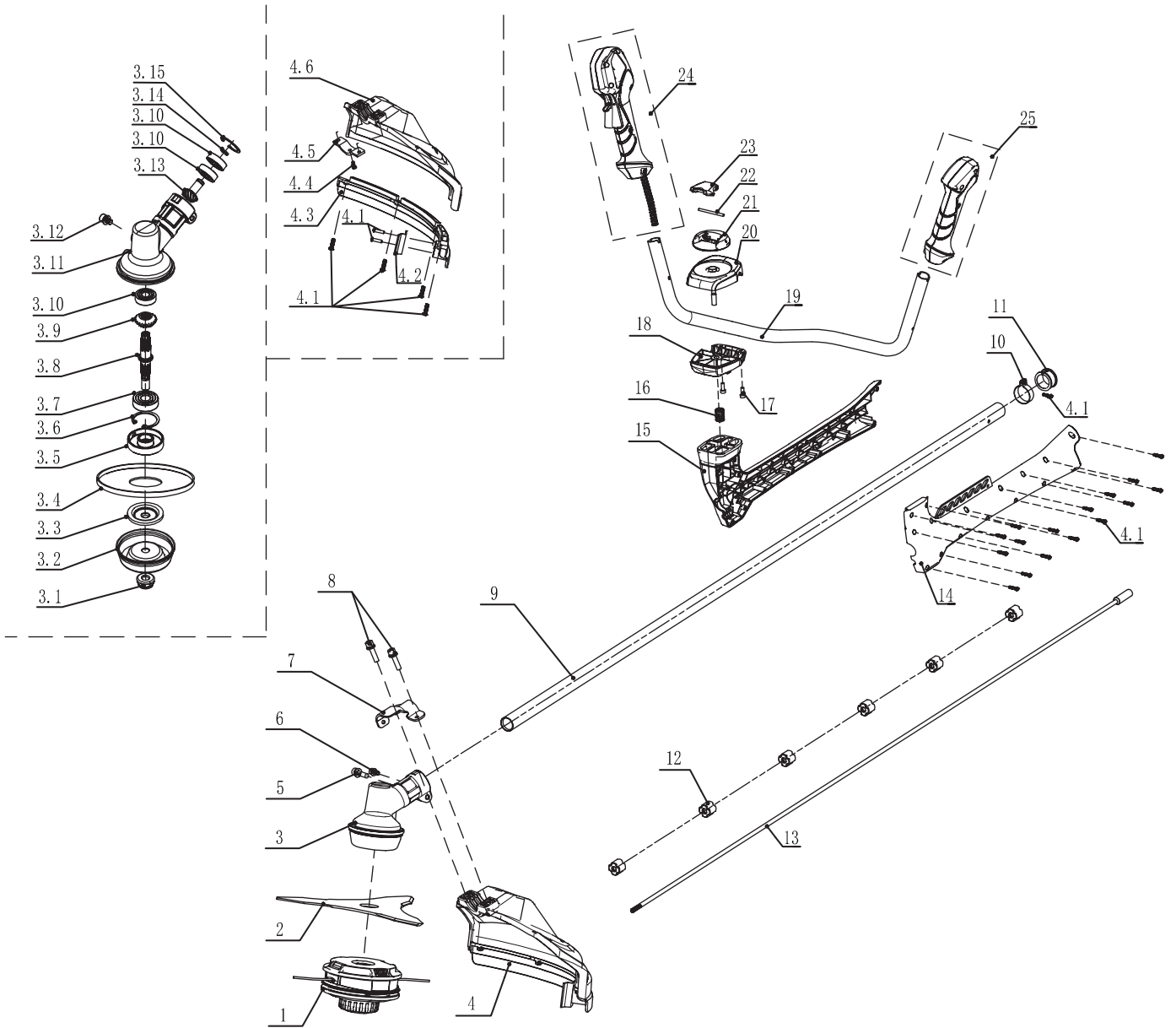
# CAIMAN

## Engine

N°	Description	Part Number	Qty (UOM)
1	Aluminum tube shock absorber sleeve	CELI-0001	1
2	Ø36 hoop	CELI-0002	1
3	ST3.9x16-T20 screw	CEBV-0016	10
4	M5x20 screw	CELI-0004	3
5	M5x25 screw	CELI-0005	1
6	M5x12 screw	CELI-0006	1
7	Aluminum tube fixing base	CELI-0007	1
8	ST2.9x12-F screw	CELI-0008	9
9	Controller fixture	CELI-0009	1
10	Controller set	CELI-0010	1
11	Motor bracket damping ring	CELI-0012	1
12	Motor	CELI-0013	1
13	Right fan cover	CELI-0014	1
14	Right housing	CELI-0016	1
15	Left fan cover	CELI-0015	1
16	Left housing	CELI-0017	1
17	Battery pack pressing plate fixing seat	CELI-0018	1
18	Battery port tension spring	CELI-0019	1
19	Battery pack pressing plate	CELI-0020	1
20	Battery pack release lock	CELI-0021	1
21	Battery fixing board	CELI-0022	1
22	Battery plug	CELI-0011	1
23	Battery reset pillar	CELI-0023	1
24	Compression spring	CELI-0024	1
25	Pin Ø5x62.5	CELI-0025	1
26	Battery port plate	CELI-0026	1

# CAIMAN

## Body



# CAIMAN

## Body

N°	Description	Part Number	Qty (UOM)
1	Nylon head	CELX-0024	1
2	Sword shape 3T blade	CELX-0025	1
3	Gearbox	CELX-0026	1
3,1	M10x1.25 screw	CELX-0093	1
3,2	Lower protection cover	CELX-0092	1
3,3	Blade fixing plate	CELX-0091	1
3,4	Gear box blade clamp	CELX-0028	1
3,5	Gear box blade flange	CELX-0029	1
3,6	Retaining ring for hole 32	CELX-0030	1
3,7	Bearing PT6201RST	CELX-0031	1
3,8	Gear spline shaft	CELX-0032	1
3,9	Big gear	CELX-0033	1
3,10	Bearing 6000-2Z	CELX-0034	3
3,11	Gearbox housing	CELX-0035	1
3,12	M6x5 screw	CELX-0036	1
3,13	Small gear	CELX-0037	1
3,14	Retaining ring 10	CELX-0038	1
3,15	Retaining ring for hole 26	CELX-0039	1
4	Plastic protection guard assy	CELX-0040	1
4,1	ST3.9x16-T20 screw	CEBV-0016	9
4,2	Nylon line cutting blade	CELX-0042	1
4,3	Plastic protection guard lower part	CELX-0043	1
4,4	ST4.2x10-H-F screw	CELX-0044	1
4,5	Lower fixing board of the guard	CELX-0045	1
4,6	Plastic protection guard	CELX-0046	1
5	M6x25 screw	CELX-0048	1
6	M5x14 screw	CELX-0049	1
7	Plastic protection guard fixing bar (metal)	CELX-0050	1
8	M5x25 screw	CELI-0005	2
9	Ø26x1550 aluminum tube	CELX-0055	1
10	Ø32 hoop	CELX-0066	1
11	Anti-vibration sleeve	CELX-0065	1
12	Oil retaining bearing assy	CELX-0053	6

# **CAIMAN**

<b>N°</b>	<b>Description</b>	<b>Part Number</b>	<b>Qty (UOM)</b>
13	Rigid axle assy	CELX-0054	1
14	Anti-vibration handle left	CETX-0027	1
15	Anti-vibration handle right	CETX-0028	1
16	Anti-vibration handle spring	CETX-0030	1
17	M5x16 screw	CETX-0031	2
18	Lower fixing board of the handle	CETX-0032	1
19	Ø22U handle tube	CETX-0033	1
20	Upper fixing board of the handle	CETX-0034	1
21	Lower part of the handle rotary knob	CETX-0036	1
22	Pin shaft Ø4x50	CETX-0037	1
23	Upper part of the handle rotary knob	CETX-0038	1
24	Right handle assy	CETX-0039	1
25	Left handle assy	CETX-0053	1