

# CAIMAN

---

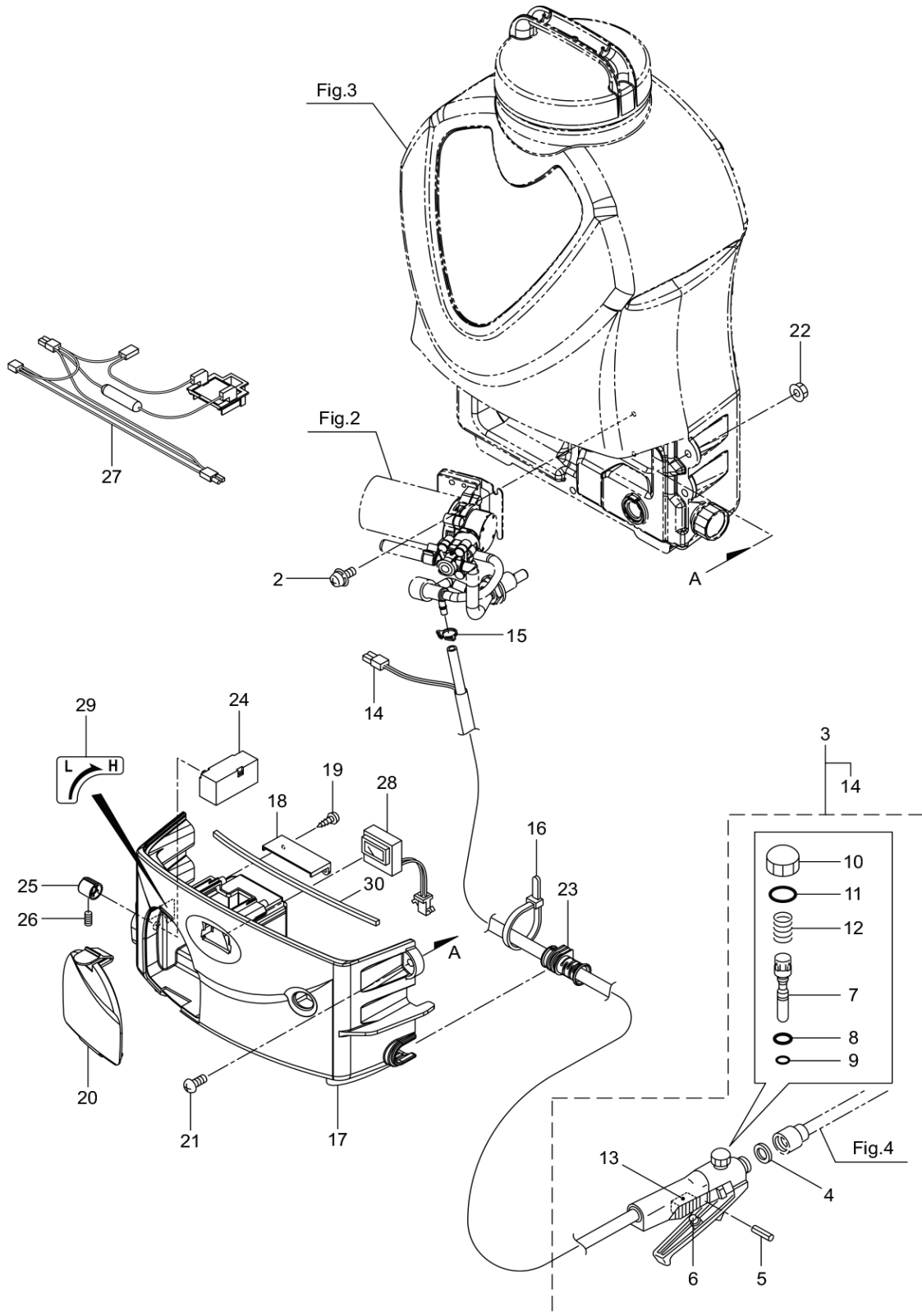
Аккумуляторный  
опрыскиватель

**FOG KING  
PS20E**



# CAIMAN

## MAIN BODY



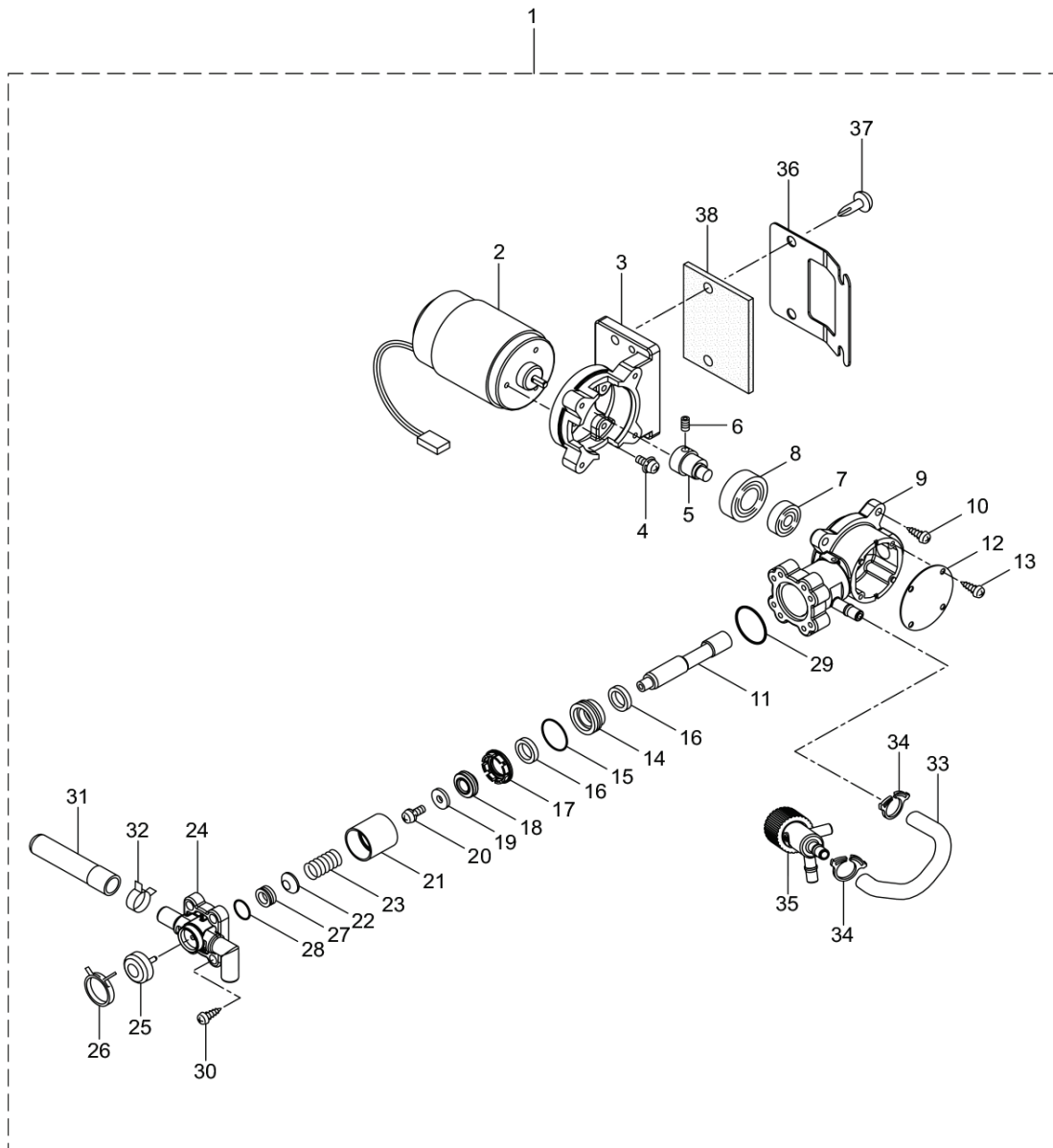
# CAIMAN

## MAIN BODY

N°	Description	Part Number	Qty (UOM)	Remarks
1	PS20E FOG KING(CAIMAN)	353096	1	
2	SCREW	126760	2	M6x10
3	GRIP ASSY	460421	1	Incl.4-14
4	PACKING	115865	1	12x17.5xt3
5	SPRING PIN	550166	1	2.5x14
6	PAD	132550	1	
7	MACHINED DISC	132555	1	
8	O-RING	124612	1	
9	O-RING	014194	1	S4
10	CAP	132558	1	
11	O-RING RETAINER	011345	1	P12
12	SPRING	117074	1	
13	SWITCH	117549	1	
14	CONNECTOR	116013	1	
15	HOSE CLAMP	132502	1	
16	BAND	107046	1	CV-125
17	BRACKET	134682	1	
18	TERMINAL COVER	134104	1	
19	SCREW	128974	2	M4x16
20	BRACKET LID	134683	1	
21	SCREW	123370	3	M6x20
22	FLANGE NUT	126756	3	M6
23	HOSE GUIDE	134108	1	
24	SPEED REGULATOR	134109	1	
25	HANDLE	134136	1	
26	SCREW	134214	1	
27	WIRE HARNESS	134112	1	
28	BATTERU CHECKER ASSY	134113	1	
29	LABEL	134137	1	L-H
30	PACKING	660845	1	

# CAIMAN

## PUMP



N°	Description	Part Number	Qty (UOM)	Remarks
1	PUMP ASSY	134354	1	Incl.2-38
2	MOTOR	134088	1	
3	FLANGE	132472	1	
4	SCREW	126752	3	M3x0.5x10
5	CAM	123253	1	
6	SCREW	132763	1	M4x6
7	BEARING 607ZZ	815548	1	#607ZZ
8	BEARING 6001ZZ	102681	1	#6001ZZ

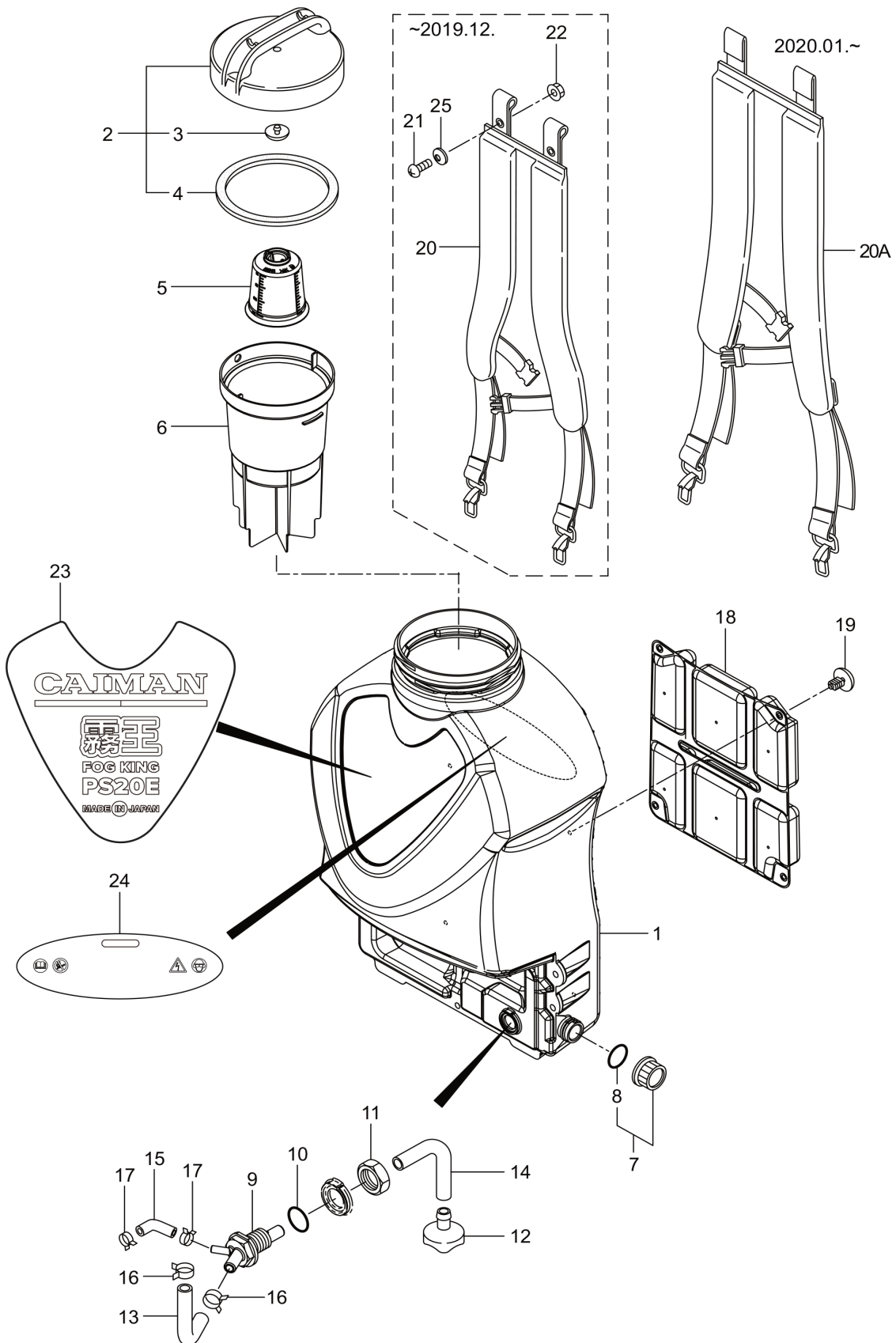
# CAIMAN

## PUMP

N°	Description	Part Number	Qty (UOM)	Remarks
9	CRANKCASE	123254	1	
10	SCREW	132079	4	M4x14
11	PISTON ROD	115233	1	
12	PLATE	132481	1	
13	TAPPING SCREW	126754	2	M3x8
14	CASE	132483	1	
15	O-RING PISTON ROD	013969	1	S16
16	PACKING A	114005	2	
17	SEAL PACKING RETAINER	132485	1	
18	PISTON PACKING	121434	1	
19	MACHINED DISC	132486	1	
20	SCREW	088312	1	M4x8
21	CYLINDER PIPE	123258	1	
22	SUCTION VALVE	116114	1	
23	SPRING	132147	1	
24	MANIFOLD	132492	1	
25	PIN ASSY	132493	1	
26	BAND	132494	1	
27	VALVE SEAT	115121	1	
28	O-RING	026531	1	S8
29	O-RING	014179	1	P20
30	SCREW	132079	4	M4x14
31	CAP	114600	1	5x9x160
32	HOSE BAND	132583	1	
33	HOSE	134089	1	5x9
34	HOSE CLAMP	132502	2	
35	SAFETY VALVE ASSY	134355	1	
36	PLATE	125889	1	
37	FASTENER	123461	2	
38	BUFFER	116304	1	

# CAIMAN

## CHEMICAL TANK



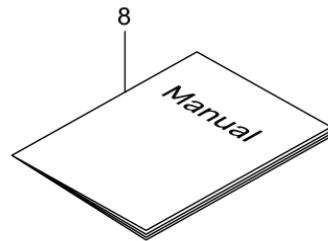
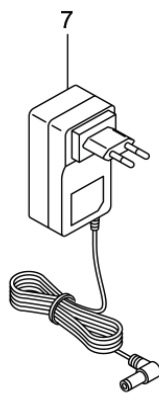
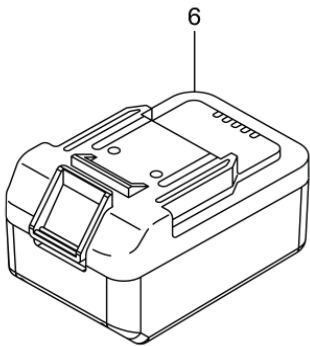
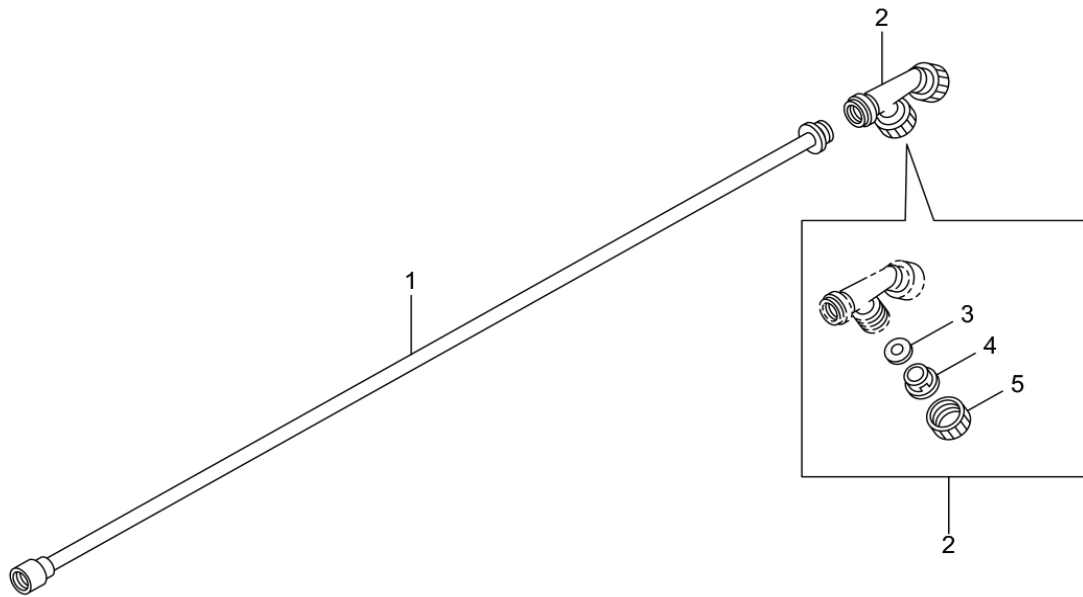
# CAIMAN

## CHEMICAL TANK

N°	Description	Part Number	Qty (UOM)	Remarks
1	CHEMICAL TANK	134093	1	20L
2	CAP, CHEMICAL TANK	132005	1	Incl.3,4
3	RUBBER PLATE	126668	1	
3	PACKING	123216	1	
3	MEASURING CUP	134096	1	
6	STRAINER	134098	1	
7	CAP ASSY	134680	1	Incl.8
8	O-RING	014818	1	W1516-16
9	HOSE GUIDE	134100	1	
10	O-RING	026996	1	P18
11	NUT	134075	1	M18x1.5
12	STRAINER	134131	1	
13	HOSE	134132	1	8x12
14	HOSE	134133	1	8x12
15	HOSE	131435	1	5x9x50
16	HOSE BAND #17	043832	2	
17	HOSE BAND	112530	2	
18	CUSHION PAD	134115	1	
19	FASTENER	660687	4	
20	BAND ASSY	277921	1	~2019.12.
20A	BAND ASSY	661823	1	2020.01.~
21	SCREW	123370	2	M6x20 ~2019.12.
22	NUT	127237	2	M6 ~2019.12.
23	LABEL	134684	1	PS20E FOG KING
24	LABEL	660749	1	
25	WASHER	127224	2	6x23xt1.6 ~2019.12.

# CAIMAN

## ACCESSORIES





# **CAIMAN**

## **ACCESSORIES**

<b>N°</b>	<b>Description</b>	<b>Part Number</b>	<b>Qty (UOM)</b>	<b>Remarks</b>
1	NOZZLE PIPE ASSY	132595	1	L=600
2	WIDE NOZZLE	117958	1	Incl.3-5
3	PACKING H-704	103171	2	H-704
4	NOZZLE PLATE D-5S	412894	2	NN-D-5S
5	CAP	103173	2	
6	BATTERY	134686	1	
7	BATTERY CHARGER	134687	1	
8	MANUAL	134688	1	PS20E FOG KING