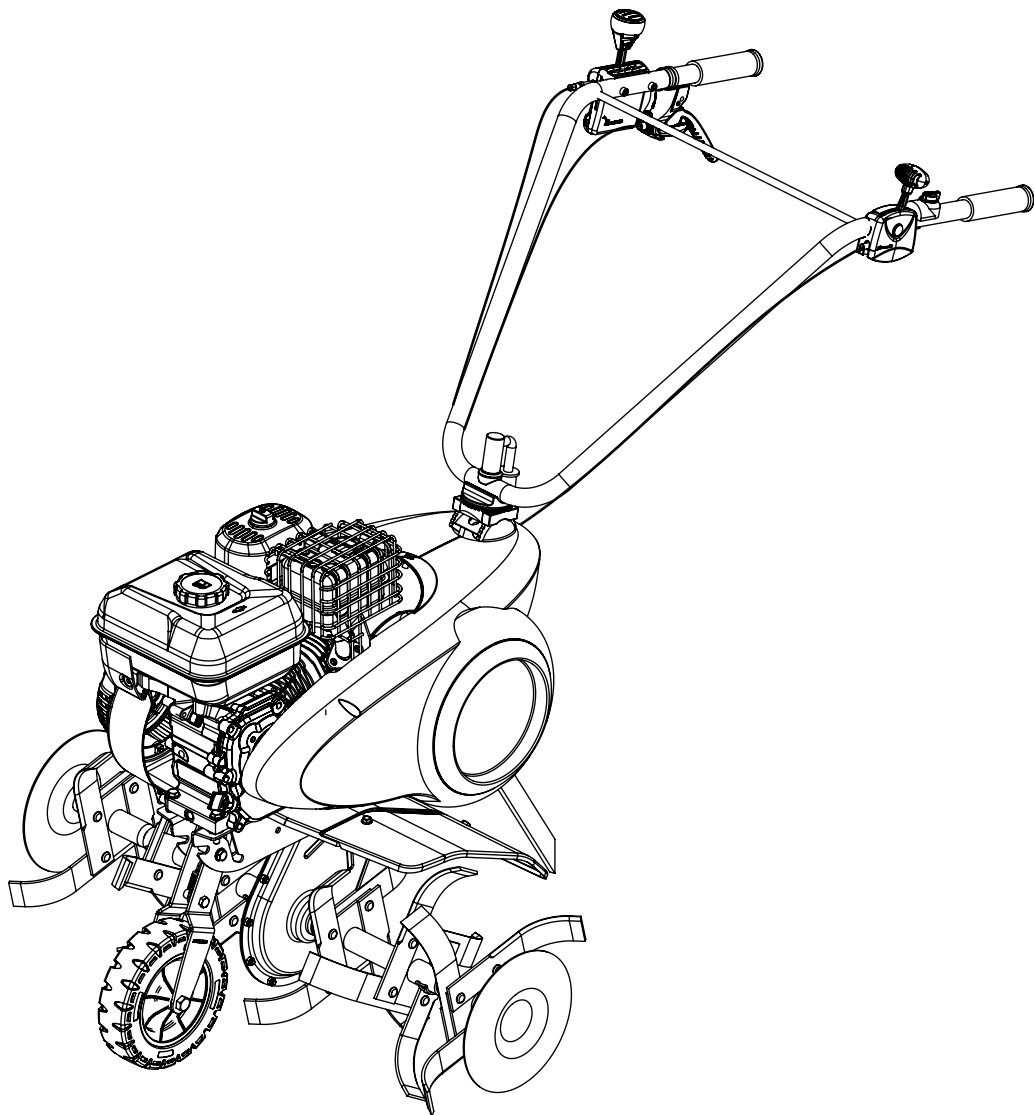
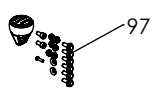
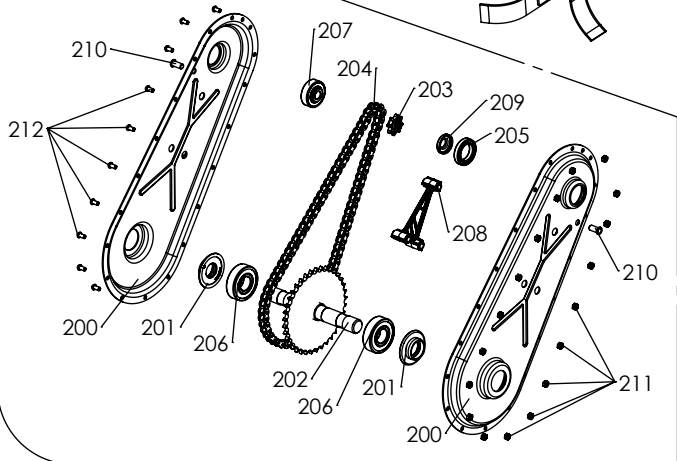
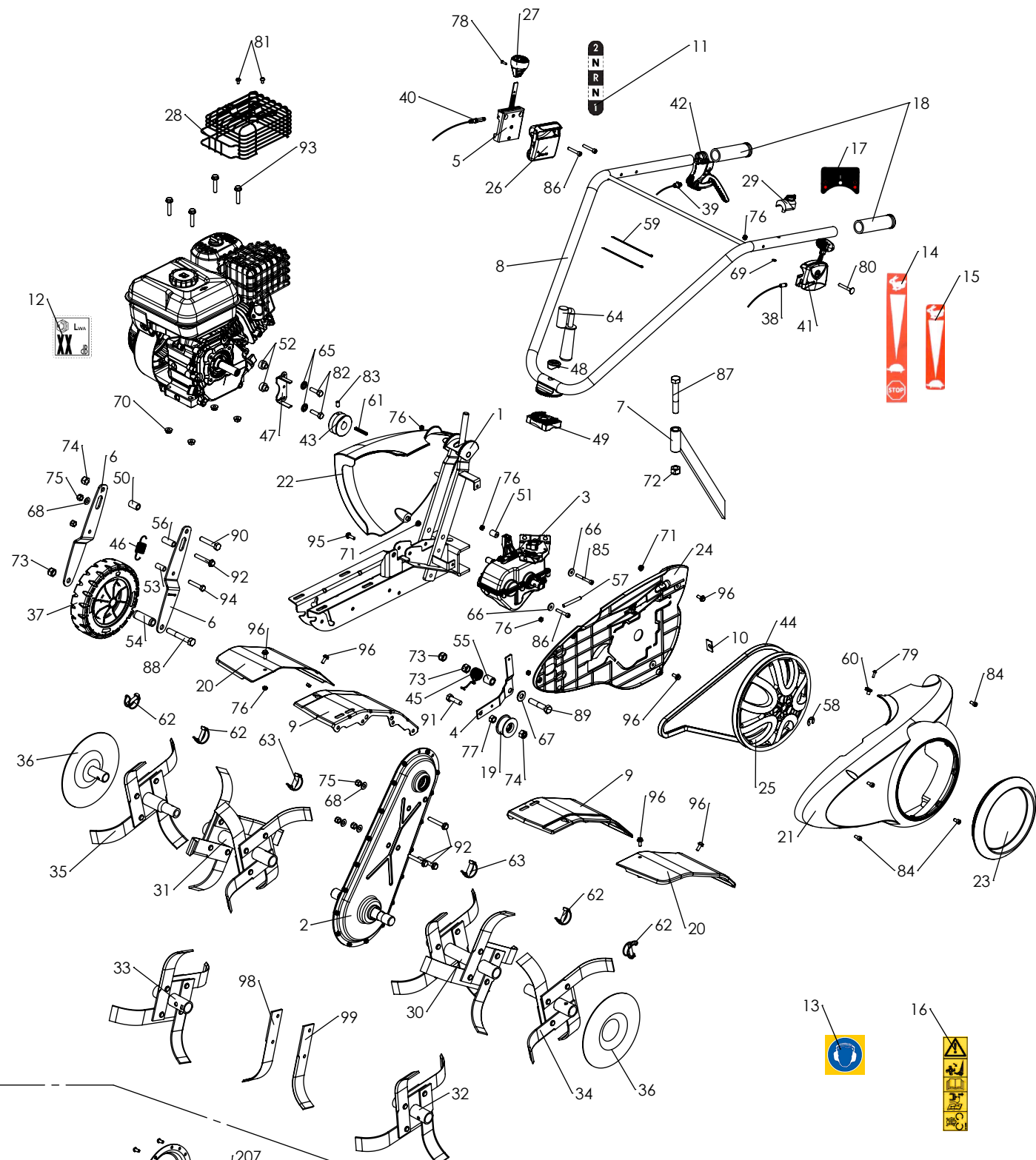


Pièces de rechange Spare parts list 3000**27**

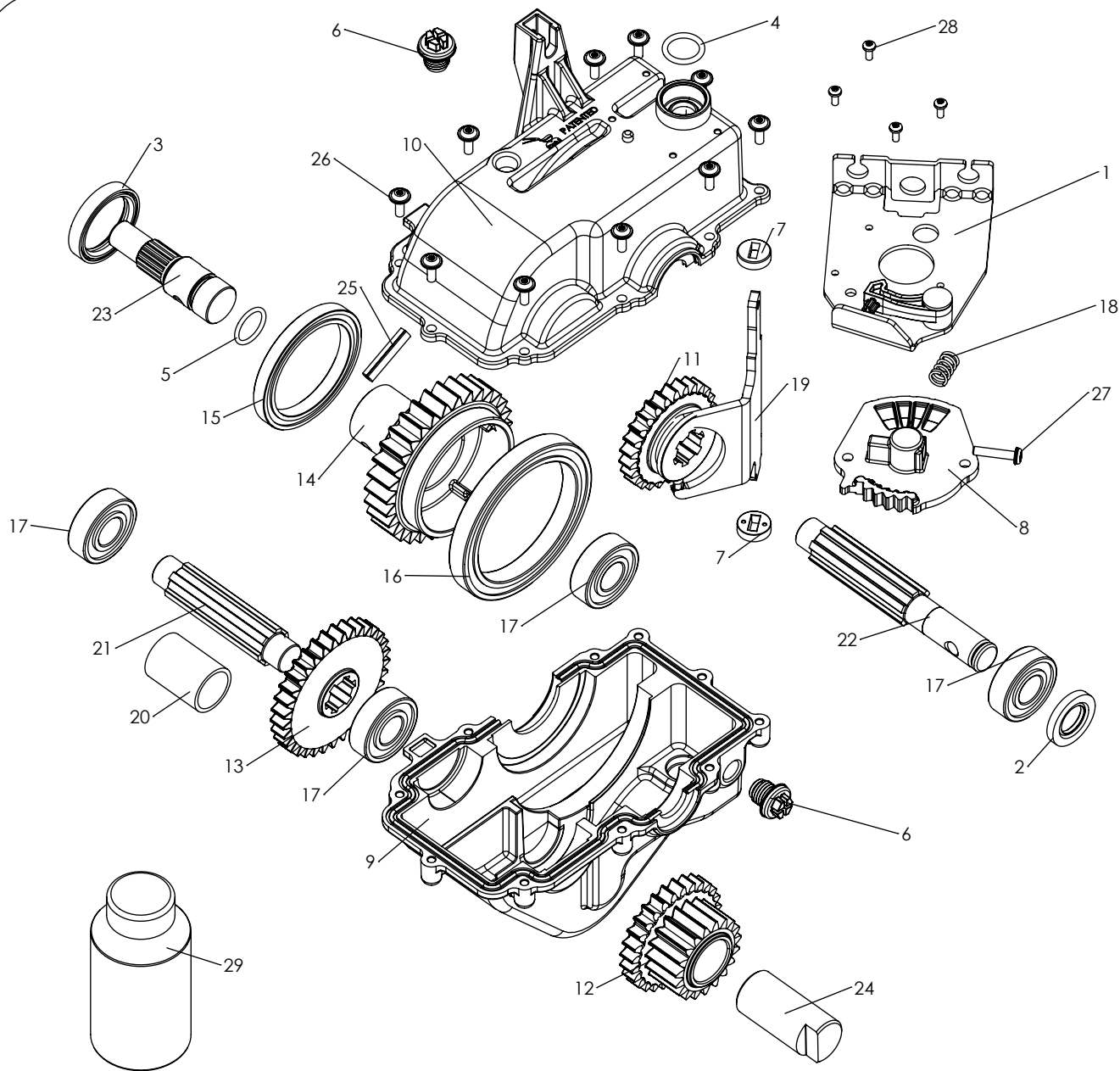


**MOTOBINEUSE
TILLER**



Rep N°	Ref.	Désignation	Description	Moteur Engine	Qte
1	3002210307	CHASSIS M0701 NOIR RAL 9005	M0701 FRAME BLACK RAL 9005		1
1	3002210607	CHASSIS M0701 GRIS 627	M0701 FRAME GREY 627		1
1	3002210507	CHASSIS M0701 GRIS (8120)	M0701 FRAME GREY (8120)		1
2	3001000050	CARTER 8/37 BOULONNE BV	Bolted transmission 8/37		1
3	3001000057	BOITE DE VITESSE F0603 BV2+1R DOIGT D'INDEXAGE	Gear box 2 front speed 1 reverse speed		1
4	3002210201	LEVIER EMBR 98x117	PLATE FOR CLUTCH LEVER		1
5	3001000055	COMMANDE VITESSE F0603	GEAR LEVER CONTROL		1
6	3002210305	PLATINE ROUE DE TRANSPORT NOIR RAL 9005	Wheel support black RAL 9005		2
7	3002000302	EPERON PRIMO NOIR RAL9005	SPUR FOR PRIMO BLACK RAL9005		1
8	3502010317	GUIDON QUATRO JUNIOR NOIR RAL9005	HANDLEBAR QUATRO BLACK RAL9005		1
9	3002180303	AILE PROTECTION M1201	TINE GUARD M1201		2
10	3003210010	BUTEE SNAP IN	Snap in stop		1
11	0503010315	STICKER VITESSE 2+N+R+N+1 F0603	SPEED LABEL 2+N+R+N+1		1
12	0503000080	ETIQ. "NIVEAU DE BRUIT" 100 dB	STICKER NOISE LEVEL '100Db'	R210, R180	1
12	0503000079	ETIQ. "NIVEAU DE BRUIT" 98 dB	Sticker noise lever '98Db'	GC160	1
13	0503000077	ETIQ. "SECURITE" 31x31 MM PROTECTION AUDITIVE	SAFTY STICKER EARS PROTECTION		1
14	0503000045	ETIQ. POIGNEE GAZ (AVEC STOP)	STICKER THROTTLE CONTROL STOP-MIN-MAX		1
15	0503000043	ETIQ. GAZ (SS STOP)VERS PNEUM DIM 42X11	Label throttle control without stop		1
16	0503000036	"ETIQ. ""SECURITE 5 LOGOS""Xce	STICKER SECURITY		1
17	0503000031	"ETIQ. ""MARCHE/ARRET""/SWITCH DIM 20 X 15	STICKER SWITCH ON/OFF GX	R210, R180	1
18	0341000037	POIGNEE PLASTIQUE DIAM 25 CB	HAND SIDE GRIP		2
19	0341000003	GALET 2 EPAULEMENTS ROUL 6200 ZZ	CLUTCH RUNNER BALL BEARING 6200 ZZ		1
20	0340010164	EXT TOLE PROT M1201 NOIR RAL9005	ADDITIONAL TINE GUARD BLACK RAL9005		2
21	0340010152	CAPOT COURROIE M0701 JAUNE RAL 1021	M0701 BELT COVER YELLOW RAL 1021		1
21	0340010144	CAPOT COURROIE M0701 ORANGE P1375C	M0701 BELT COVER ORANGE P1375C		1
21	0340010140	CAPOT COURROIE M0701 VERT RAL 6029	M0701 BELT COVER GREEN RAL 6029		1
21	0340010134	CAPOT COURROIE M0701 BLEU RAL 5010	M0701 BELT COVER BLUE RAL 5010		1
21	0340010132	CAPOT COURROIE M0701 ORANGE RAL 2009	M0701 BELT COVER ORANGE RAL 2009		2
21	0340010115	CAPOT COURROIE M0701 ROUGE RAL3001	M0701 BELT COVER RED RAL 3001		1
21	0340010108	CAPOT COURROIE M0701 Noir RAL 9005	M0701 COVER BELT BLACK RAL 9005		1
22	0340010151	CAPOT DROIT M0701 JAUNE RAL 1021	M0701 RIGHT COVER YELLOW RAL 1021		1
22	0340010143	CAPOT DROIT M0701 ORANGE P1375C	M0701 RIGHT COVER ORANGE P1375C		1
22	0340010139	CAPOT DROIT M0701 VERT RAL 6029	M0701 RIGHT COVER GREEN RAL 6029		1
22	0340010133	CAPOT DROIT M0701 BLEU RAL 5010	M0701 RIGHT COVER BLUE RAL 5010		1
22	0340010131	CAPOT DROIT M0701 ORANGE RAL 2009	M0701 RIGHT COVER ORANGE RAL 2009		2
22	0340010114	CAPOT DROIT M0701 ROUGE RAL3001	M0701 RIGHT COVER RED RAL 3001		1
22	0340010107	CAPOT DROIT M0701 Noir RAL 9005	M0701 RIGHT COVER BLACK RAL 9005		1
23	0340010130	DISQUE HABILLAGE CREUX M0701 BLEU RAL 5010	M0701 DRESS UP HOLLOW DISK BLUE RAL 5010		1
23	0340010113	DISQUE HABILLAGE CREUX M0701 TRANSPARENT	M0701 DRESS UP HOLLOW DISK TRANSPARENCY		1
23	0340010112	DISQUE HABILLAGE CREUX M0701 GRIS (627)	M0701 DRESS UP HOLLOW DISK GREY (627)		1
23	0340010106	DISQUE HABILLAGE CREUX M0701 NOIR RAL 9005	M0701 DRESS UP HOLLOW DISK BLACK RAL 9005		1
23	0340010168	DISQUE HABILLAGE CREUX M0701 ROUGE RAL3001	M0701 DRESS UP HOLLOW DISK RED RAL3001		1
23	0340010158	DISQUE HABILLAGE CREUX M0701 VERT RAL 6029	M0701 DRESS UP HOLLOW DISK GREEN RAL 6029		1
24	0340010109	CACHE INTERIEUR M0701 NOIR RAL9005	M0701 interior hide		1
25	0340010105	POULIE Ø260 GRIS 7040	TRANSMISSION PULLEY Ø206		1
26	0340000012	COQUE LEVIER DE VITESSE F0603	GEAR CONTROL COVER		1
27	0340000011	POMMEAU LEVIER DE VIT M0701	SPEED SELECTOR LEVER		1
28	0330092003	GRILLE ECHAPP R180/R210	EXHAUST GRILL R180/R210	R210, R180	1
29	0330012006	SWITCH STOP GX	Switch engine cut-off	R210, R180	1
30	0320010022	FRAISE DEPART MONO STD 40X4 GAUCHE	LEFT TWIN TINES D25 STRAIGHT BLADE (40X4)		1
31	0320010021	FRAISE DEPART MONO STD 40X4 DROIT	RIGHT TWIN TINES D25 STRAIGHT BLADE (40X4)		1
32	0320010014	FRAISE DEPART DEM STD 40X4 GAUCHE	LEFT TINE REMOVABLE D25 STRAIGHT BLADE (40X4)		1
33	0320010013	FRAISE DEPART DEM STD 40X4 DROIT	RIGHT TINE REMOVABLE D25 STRAIGHT BLADE (40X4)		1
34	0320010016	FRAISE ADDIT STD 40X4 GAUCHE	LEFT ADDITIONAL TINE D25 STRAIGHT BLADE (40X4)		1
35	0320010015	FRAISE ADDIT STD 40X4 DROIT	RIGHT ADDITIONAL TINE D25 STRAIGHT BLADE (40X4)		1
36	0320010001	DISQUE D25 PRIMO	DISK D25		2
37	0309000033	ROUE RT DIAM200 ALS 20	RT wheel Ø200 bore 20		1
38	0308040052	CABLE GAZ x1250 xLF60 Z0° MANETTE LGC	Throttle cable Lg 1250mm stroke 60mm		1
39	0308020052	CABLE EMB Lg 1050 CF 133 LAKS EMB CLIP	CLUTCH CABLE LG1050 CF133 LAKS LEVER x CLIP TIP		1
40	0308010013	CABLE VIT DOUBLE LG850 CF75	Gear cable		1
41	0307020023	MANETTE GAZ LGC POMMEAU NOIR RAL9005	THROTTLE LEVER LGC BLACK KNOB RAL9005		1
42	0307010034	LEVIER EMB LAKS C27 GUID D25 TEMPO EMBRAYAGE	HANDLEVER LAKS C27 D25 CLUTCHING SYMBOL		1
43	0306060005	POULIE MOT D55 ALES 19,06	ENGINE PULLEY D55 BORE Ø19,06		1
44	0306030057	COURROIE LA45	BELT LA45		1
45	0305020005	RESSORT CP 21 25/10 GALVA LEVIER EMBR xMECA00	SPRING CP 21 25/10 GALVA LEVIER EMBR xMECA00x		1
46	0305010015	RESSORT TR 43xØ20x22/10 GALVA	Draw spring 43xØ20x22/10 galva		1
47	0304000303	GUIDE COURROIE Ø55 carter 8/37	DRIVE BELT ENGINE PULLEY		1
48	0303000024	ENTRETOISE POIGNEE SERRAGE H16	Tightenning lever spacer height 16		1
49	0303000007	PIECE INTERMEDIAIRE Avec logem ergot rotation	FILLER PIECE		1
50	0302020116	ENTR. 16x10x26 xZNCR3x	SPACER 16x10x26 xZ		1
51	0302020112	ENTR. 14x6x18.4xZ	SPACER 14x6x18.4 xZ		1
52	0302020111	ENTRET EPAUL D13 d9 Lg16,5	SPACER SHOULDER 13x9x16.5 Z		2
53	0302020103	ENTR. 12x8x26 Z	SPACER 12x8x26 Z		1
54	0302020081	ENTR. 20x12.5x61.5 xPOM	PLASTIC SPACER 20x12.5x61.5		1
55	0302020020	ENTRET. LEV EMB xMECAx PA6.6 12x20 LG 24	Clutch lever spacer		1
56	0302020015	ENTR. 14x9x35 xZNCR3x ENTRETOISE CHASSIS	SPACER 14x9x35 xZ		1
57	0302010021	AXE FIXATION POULIE INVERSEUR MECANIQUE	PULLEY PIN SHAFT MECANIQUE		1
58	0301070026	ANNEAU ELASTIQUE RADIAL DIAM12 DIN6799	RADIAL RETAINING RING Ø12		1
59	0301060003	COLLIER POLYAM.3,6 X 140 NOIR	COLLAR		2
60	0301050003	CLIP EASYBOSS 40X25X7	EASYBOSS CLIP 40X25X7		1
61	0301040001	CLAVETTE 4.76X4.76X 40 BTS DRO TOL h 9 - XC 48	KEY 4.76X4.76X40 DRO TOL h 9 - XC 48		1
62	0301010013	GOUPILLE CLIPS 8 x 36	CLIP PIN D8 x 36		4
63	0301010014	GOUPILLE CLIPS 10 x 36	CLIP PIN D10 x 36		2
64	0300801401	POIGNEE SERRAGE M14x150 EMBOUT NOIR	HANDLEBAR TIGHTENING LEVER		1

Rep N°	Ref.	Désignation	Description	Moteur Engine	Qte
65	0300430801	RONDELLE CONTACT M8 NF E 25511	CONTACT WASHER 8		2
66	0300410602	RONDELLE SPECIALE 6,3X19 X2,5Z	SPECIAL WASHER 6,3 x 19 x 2,5Z		2
67	0300401201	RONDELLE PLATE M 12X27X2.5 Z NFE 25513	PLATE WASHER M 12X27X2.5 Z NFE 25513		1
68	0300400802	RONDELLE PLATE M 8X18X1.5 Z NFE 25513	PLATE WASHER M 8X18X1.5 Z NFE 25513		4
69	0300400301	RONDELLE PLATE 3.2x10x1 Z	Washer M 3.2x10x1 Z	R210, R180	1
70	0300260801	ECROU HM 8 ZEMB CR DIN 6923-8	NUT H M8 Z NOTCHED SHOULDER		4
71	0300260601	ECROU HM 6 ZEMB CR DIN 6923	NUT H M6 Z NOTCHED SHOULDER		3
72	0300211402	ECROU FREIN M14 Z DIN 985-8	Blocking nut M 14 Z DIN 985-8		1
73	0300211201	ECROU FREIN M 12 Z DIN 985/8	BLOCKING NUT M 12 Z		3
74	0300211001	ECROU FREIN M 10 Z DIN 985/8	BLOCKING NUT M 10 Z		2
75	0300210802	ECROU FREIN M 8 Z DIN 985/8	BLOCKING NUT HM 8 Z DIN 985/8		5
76	0300210602	ECROU FREIN M 6 Z DIN 985-8	BLOCKING NUT M 6 Z		10
77	0300201002	ECROU H.U. M 10 Z DIN 934	NUT HM 10Z		1
78	0300120404	VIS PT WN 1412 KB40x14 Z CRUCI	Screw PT WN 1412 KB 40x14		1
79	0300120401	VIS PT WN 1451 K40x14 Z	Screw WN 1451 K 40x14 Trox		1
80	0300080610	VIS TRCC 6 X 45/20 Z Din603	SCREW TRCC 6 X 45 Z		1
81	0300080501	VIS METAUX TCB POZI 5X10 Z DIN 7985	Pozidrive screw M5x10 Z	R210, R180	2
82	0300060502	VIS 5/16 TH 24 UNF LONG 32 Z	SCREW 5/16 TH 24 UNF LG 32	GC160, R210	2
82	0300010807	VIS H 8 X 30/22 Z DIN 931/6.8	SCREW H 8 X 30/22 Z DIN 931 / 6.8	BS750, R180	2
83	0300040801	VIS STHC 8 X 16 N BT POINTU DIN 914 45H	SCREW ST HC M8X16 DIN 914 45H		1
84	0300020608	VIS CHC 6 X 12 Z DIN 912 8.8	Screw CHC M6x12z		4
85	0300020605	VIS CHC 6 X 50 Z DIN 912 8.8	SCREW CHC 6 X 50 Z DIN 912 8.8		1
86	0300020604	VIS CHC 6 X 35 Z DIN 912 8.8	Screw CHC M6x35z		3
87	0300011401	VIS H 14 X 90/34 Z CL 8.8 NFE 24014 - ISO 4014	Screw H M14x90-34 z cl 8.8 NFE 24014 - ISO 4014		1
88	0300011206	VIS H M 12x80/30 Z ISO 4014 CL 6.8	SCREW H M 12X80/30 Z ISO4014		1
89	0300011205	VIS H 12 X 60/30 N DIN931/6.8	Screw H M12 x 60 z		1
90	0300011007	VIS H M 10x55/26 Z ISO 4014 cl 6.8	Screw H M 10x55 Z		1
91	0300011003	VIS H 10 X 35 FST Z NFEN 24017	SCREW HM 10X35Z FST		1
92	0300010837	VIS H 8x55 Z EMB CR DIN 6921 CL 6.8 FILETAGE PARTIEL	SCREW H 8x55 Z DIN 6921 NOTCHED SHOULDER CL 6.8		4
93	0300010817	VIS H 8x40 Z EMB CR DIN 6921	SCREW H M8 X 40		4
94	0300010802	VIS H 8 X 45/22 Z DIN931/6.8	Screw H M8 x 45		1
95	0300010610	VIS H 6x20 Z EMB CR DIN 6921	Screw HM 6x20 notched shoulder		1
96	0300010609	VIS H 6x16 Z EMB CR DIN 6921	SCREW HM 6X16 Z NOTCHED SHOULD		6
97	0300000036	POCHETTE VISSERIE M0701	POCHETTE VISSERIE M0701		1
98	0001000021	COUTEAU PRIMO 40X4 D 320 GAUC	Blade LH 40x4		1
99	0001000020	COUTEAU PRIMO 40X4 D 320 DROI	Blade RH 40x4		1
200	3002210308	JOUE DE CARTER 8/37 NOIR RAL 9005	Tranmission housing 8/37 black RAL 9005		2
201	0341000059	Joint carter 1/5 Ø62 x Ø25	Seal		2
202	0306050045	ARBRE DE TRAVAIL 37DTS 12.7	Blade shaft 37 teeth 12.7		1
203	0306050016	PIGNON 8 DTS 12.7 SIMPLE cannelé	PIGNON 8 TOOTH 12.7 RIBBED		1
204	0306020026	CHAINE ISO 08B-1 pas 12.7 78 maillons RSF	CHAIN (78 LINKS RSF) 08B 12.7		1
205	0306010037	ROULEMENT 6906 2RS	Ball bearing 6906 2RS		1
206	0306010020	ROULEMENT 6305 2 RS cl: 0	BALL BEARING 6305 2RS		2
207	0306010016	ROULEMENT 6204 2RS EPAULE	SPECIAL BALL BEARING 6204 2RS		1
208	0303000029	ENTRETOISE 3 pts CARTER 8/37	TRANSMISSION SPACER 8/37		1
209	0303000026	ENTRETOISE 34.5x16x9 CARTER 8/37	Transmission spacer		1
210	0300600604	INSERT M6 ROND BORGNE TOLE 1.5/3	Insert M6		2
211	0300210602	ECROU FREIN M 6 Z DIN 985-8	BLOCKING NUT M 6 Z		18
212	0300110604	VIS TORX M6X12 TETE CYLIND BOMB 6 LOBES INTER	Screw Torx M6x12		18



Rep N°	Ref.	Désignation	Description	Qty
1	3001000058	TOLE SELECTEUR VIT. SERTI	SPEED SELECTION CABLE PLAT	1
2	0343020003	BAGUE D'ETANCHEITE 15x28x4 IEL AI DL	SEALING WASHER 15x28x4	1
3	0343020002	Bague d'étanchéité 30x40x7 IEL AI DL	Sealing washer 30X40X7	1
4	0343010005	JOINT TORIQUE Ø15x2.5	O-RING SEAL Ø15x2.5	1
5	0343010004	JOINT TORIQUE Ø16x2	O-RING SEAL Ø16x2	1
6	0341000093	BOUCHON M12x1.5	CAP M12x1.5	2
7	0340000010	ENTRETOISE GUIDE FOURCHETTE F0603	FORK GUIDE F0603	2
8	0340000009	LEVIER SELECTION DE VITESSE F0603	SPEED SELECTOR LEVER	1
9	0340000008	COQUE INFERIEUR F0603	BOTTOM CARTER F0603	1
10	0340000007	COQUE SUPERIEUR F0603	UPPER CARTER F0603	1
11	0306050044	PIGNON BALADEUR 26 dts M2	SELECTION GEAR 26th M2	1
12	0306050043	PIGNON MAR 19 et 27 dts M2	REVERSE GEAR 19-27 th M2	1
13	0306050042	PIGNON 1er 33 dts M2	1ST GEAR 33 th M2	1
14	0306050040	PIGNON SORTIE BOITE 31dts M2.5	OUTPUT GEAR 31 th M2.5	1
15	0306010040	ROULEMENT 6810	BALL BEARING 6810	1
16	0306010039	ROULEMENT 6813	BALL BEARING 6813	1
17	0306010038	Roulement 6202	Ball bearing 6202	4
18	0305020015	RESSORT CP 9x15 12/10 GALVA	Locking spring	1
19	0304000299	FOURCHETTE SELECTION VITESSE F0603	SELECTION FORK F0603	1
20	0302020113	ENTRETOISE 20x24x33	SPACER 20x24x33	1
21	0302010111	ARBRE SECONDAIRE F0603	SECONDARY SHAFT F0603	1
22	0302010110	ARBRE D'ENTREE F0603	INPUT SHAFT F0603	1
23	0302010109	ARBRE DE SORTIE F0603	OUTPUT SHAFT F0603	1
24	0302010108	ARBRE TERTIAIRE MAR/1ER F0603	THIRD SHAFT F0603	1
25	0301020018	Goupille HBK 6x28 DIN 8748 ST	Cotter-pin 6x28	1
26	0300090405	Vis Altracs WN5151 40x12z Ejoj: 6317036809	Screw Altracs WN5151 40x12z	10
27	0300090403	VIS TORX WN 1452 K40x20	Screw WN 1452 K40x20 Torx	1
28	0300090303	Vis altracs WN5251 K30x8z	Screw WN5251 K30x8z	4
29	0102000020	BIDON D'HUILE 2L EP"SAE 80W90	Oil EP SAE 80W90	1