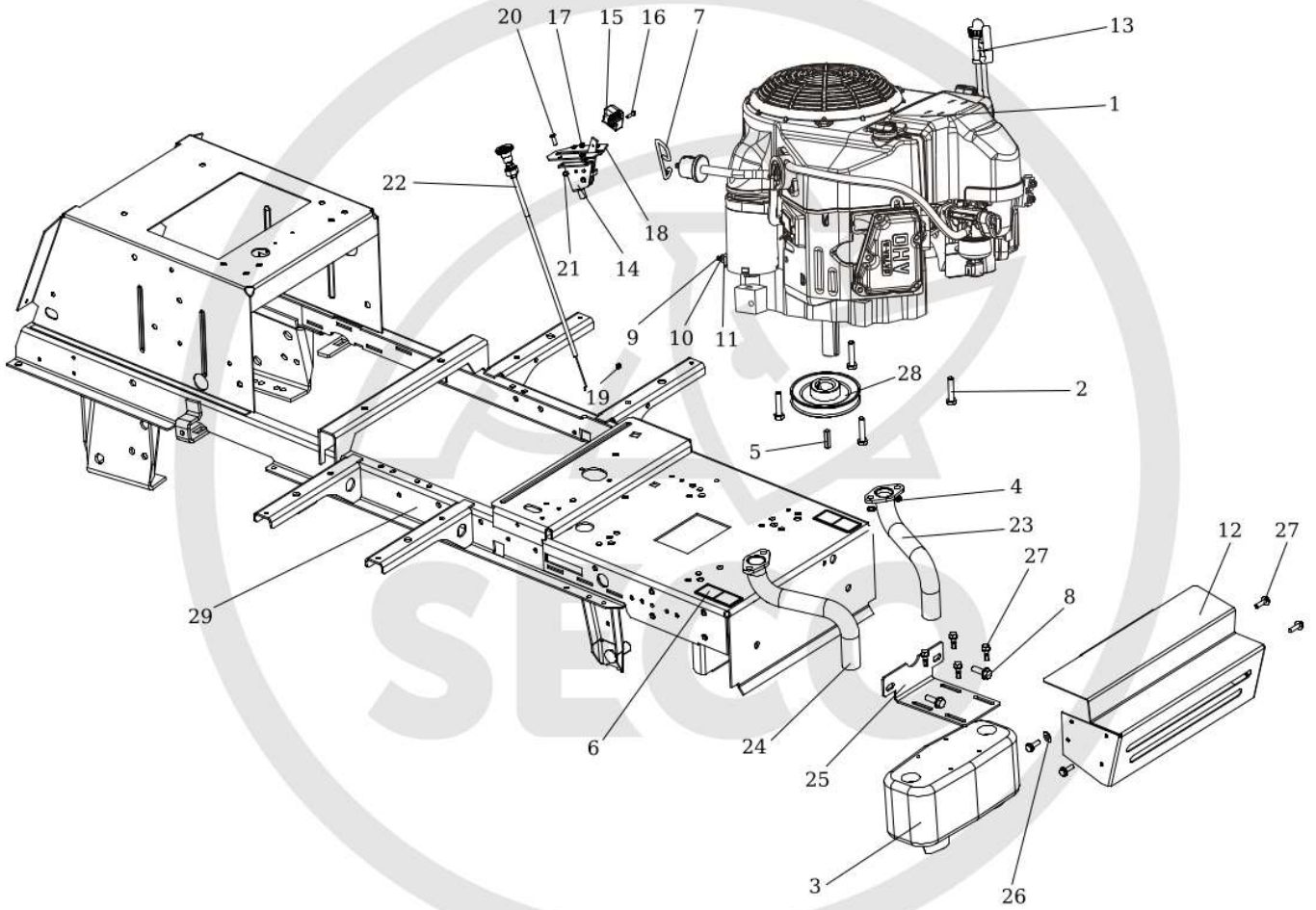


Obrázek není k
dispozici



Model: KAJ2F-21-0001
Group: KAJ01-20-0001

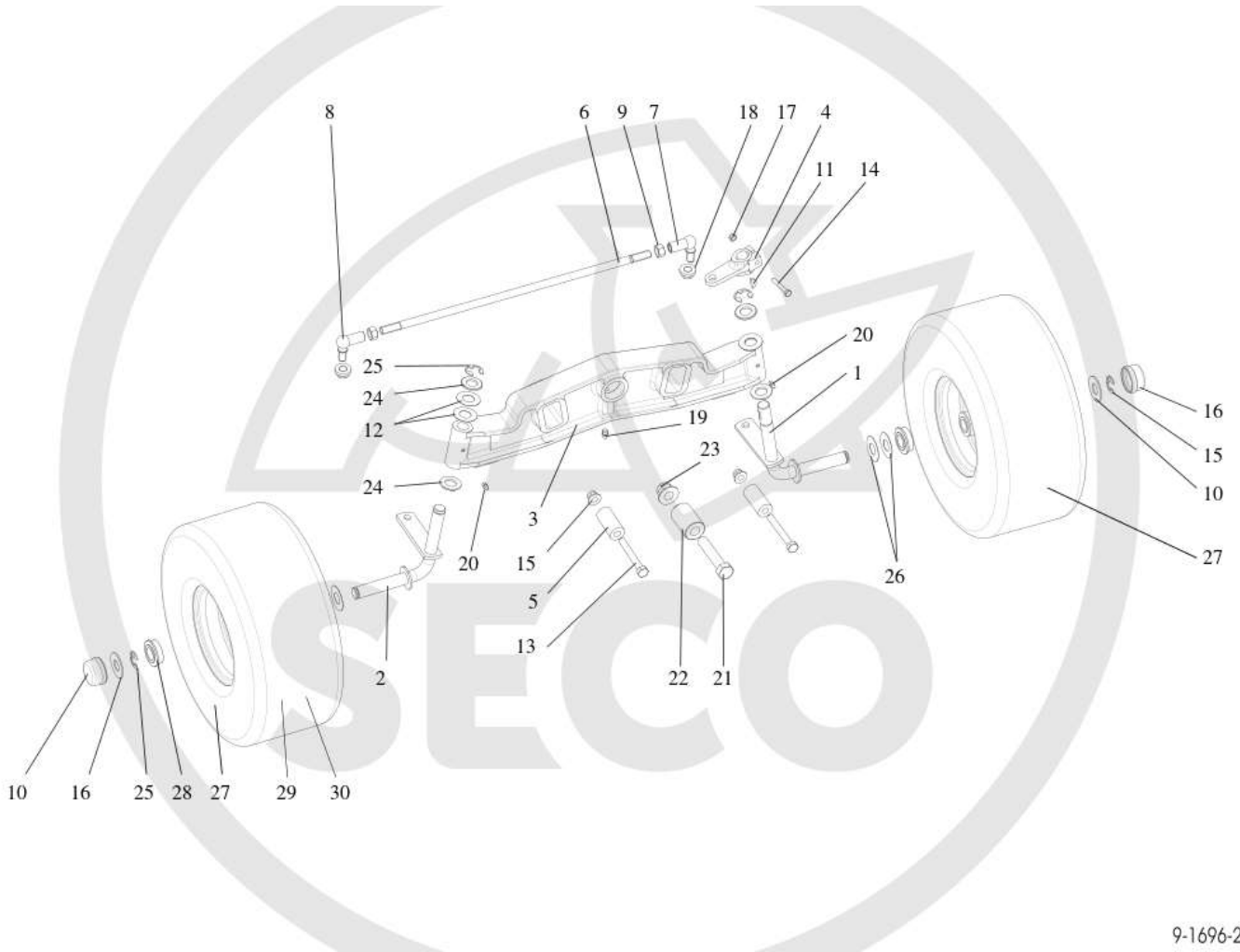
Engine 20HP Kawasaki FS600V



ID	Name	Item code	No.	UOM	Price
1	MOTOR 20 HP KAWASAKI (FS 600V)	N482349036	1	KS	EUR /
2	Screw 3/8x1.25 DIN 933	N309578543	4	KS	EUR /
3	Exhaust Nelson 24500 N-20 V-twin	N443900129	1	KS	EUR /
4	WASHER 10 RIPP LOCK	N311219523	4	KS	EUR /
5	Key 0-9231-213	N311726101	1	KS	EUR /
6	Label 0-8732-337	N283292223	1	KS	EUR /
7	HOOK 0-9242-240	N532980071	1	KS	EUR /
8	Screw M 8x25 DIN 7500 D	N309578540	2	KS	EUR /
9	Screw M 8X16	N309503517	1	KS	EUR /
10	Washer 8.4	N311210503	1	KS	EUR /
11	Washer 6	N311214501	1	KS	EUR /
12	Exhaust cover AJ V2	S532085422143	1	KS	EUR /
13	Hose with cap	N532151253	1	KS	EUR /
14	Throttle lever 9-8071-226 GAR-001	N443900095	1	KS	EUR /
15	Throttle lever 0-8060-239	N443900138	1	KS	EUR /
16	Screw M 4X14 021131.25	N309231535	1	KS	EUR /
17	Nut M4	N311129514	1	KS	EUR /
18	Reinforcement	S532080302873	1	KS	EUR /
19	Nut W1/4-20 Unc Zinc.	N311122501	1	KS	EUR /
20	Screw M 5X16	N309251515	4	KS	EUR /
21	Nut M5	N311129515	4	KS	EUR /
22	Choke MK01 9-8074-277	N443612011	1	KS	EUR /
23	TRUBKA VÝFUKU LEVÁ AJ KAWASAKI	S532927442663	1	KS	EUR /
24	TRUBKA VÝFUKU PRAVÁ AJ KAWASAKI	S532927442673	1	KS	EUR /
25	Holder	S532113405013	1	KS	EUR /
26	Washer 8	N311214502	5	KS	EUR /
27	SCREW M 6X16 DIN 7500D BN 3326	N309578517	8	KS	EUR /
28	Engine pulley 9-3325-295 K46	N532151345	1	KS	EUR /
29	Chassis complete 92	S532912962813	1	KS	EUR /

Model: KAJ2F-21-0001
Group: KAJ03-12-0001

Front axle Challenge



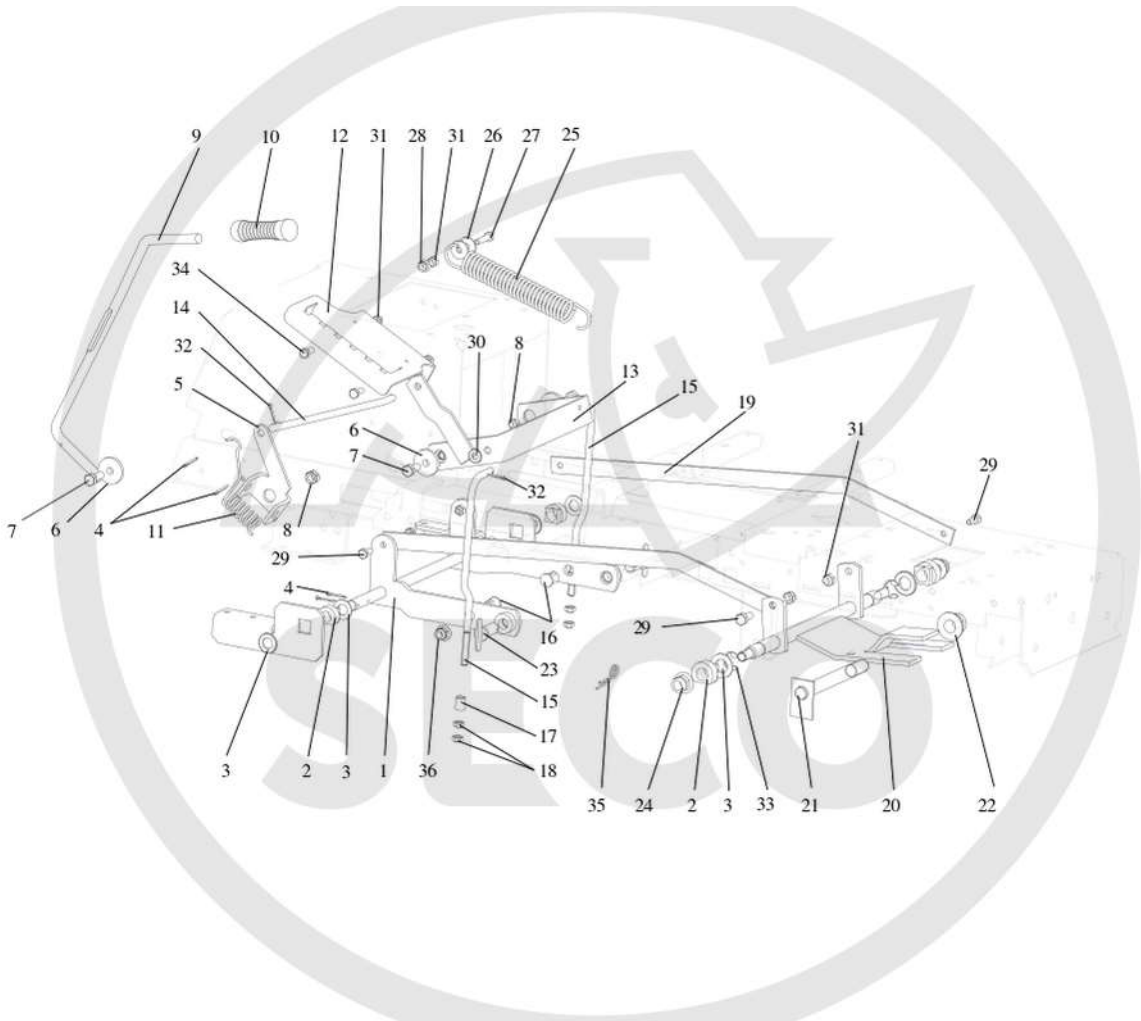
ID	Name	Item code	No.	UOM	Price
1	Pin left	S532916432263	1	KS	EUR /
2	Pin right	S532916432273	1	KS	EUR /
3	Axle	S532016542063	1	KS	EUR /
4	Lever	S532080503603	1	KS	EUR /
5	Spacer	S532195203533	2	KS	EUR /
6	Connecting rod 0-9010-569	N532980152	1	KS	EUR /
7	Angular joint 16 R DIN71802CS M12	N442073020	1	KS	EUR /
8	Angular joint 16 L DIN71802CS M12	N442073019	1	KS	EUR /
9	Nut M12 left	N311120539	1	KS	EUR /
10	Cover 0-8025-237	N532150915	2	KS	EUR /
11	Woodruff key 5e7X7.5	N311728003	1	KS	EUR /
12	Washer 19	N311210514	4	KS	EUR /
13	Screw M 10X80	N309501527	2	KS	EUR /
14	Screw M 6X40	N309203524	1	KS	EUR /
15	Nut M 10 DIN 6926 Zinc	N311129523	2	KS	EUR /
16	Washer	S532092208363	2	KS	EUR /
17	Nut M 6	N311129513	1	KS	EUR /
18	Nut M 12 DIN 6923 8 Zinc. toothed	N311129521	2	KS	EUR /
19	Lubricating head MK 8x1	N425111016	1	KS	EUR /
20	Lubricating head MK 6x1	N425111004	2	KS	EUR /
21	Screw M 8x90	N309501524	1	KS	EUR /
22	Pin	S532093202793	1	KS	EUR /
23	Nut M 16 DIN 6926	N311129527	1	KS	EUR /
24	Washer	S532092208383	4	KS	EUR /
25	Lock ring E-75 3/4	N311732023	4	KS	EUR /
26	Washer	S532092208153	4	KS	EUR /
27	Wheel front 15x6.00-6 CHEVRON	N532940171	2	KS	EUR /
28	Front wheel bearing 3/4 Compensa	N324196019	4	KS	EUR /
29	Tyre front 15x6.00-6 Chevron	N274161029	2	KS	EUR /
30	Wheel disc front 4.50AX6H2 OTR	N325111026	2	KS	EUR /

ID	Name	Item code	No.	UOM	Price
1	Steering rod 0-8041-338	N532151347	1	KS	EUR /
2	Joint head PHS 12 CN	N442073028	2	KS	EUR /
3	Nut M 12	N311150505	2	KS	EUR /
4	Eccentric	S532080272033	1	KS	EUR /
5	Spacer	S532195202593	1	KS	EUR /
6	Bearing	S532938542093	1	KS	EUR /
7	Spring pin 6x45	N315238031	1	KS	EUR /
8	Screw M 8x35 DIN 7991 10.9 Zinc	N309578534	1	KS	EUR /
9	Toothed Segment	S532033322433	1	KS	EUR /
10	Pinion compl. AJ92	S532930252123	1	KS	EUR /
11	Screw M 12X55.8.8 A3L ISO 8677	N309019522	1	KS	EUR /
12	Screw M 6X20	N309503548	2	KS	EUR /
13	Lock ring 19	N311733607	1	KS	EUR /
14	Nut M 6 DIN 6926	N311129525	2	KS	EUR /
15	Lubricating head MK 6x1	N425111004	1	KS	EUR /
16	Nut M 12	N311150505	1	KS	EUR /
17	Screw M12X40	N309503505	2	KS	EUR /
18	Nut M 8	N311150503	1	KS	EUR /
19	WASHER	S532113326273	1	KS	EUR /
20	Nut M 12 DIN 6923 8 Zinc. toothed	N311129521	2	KS	EUR /
21	Nut M8 DIN 6923 8 Zinc. toothed	N311129520	1	KS	EUR /
22	Steering wheel M 2000	N443821004	1	KS	EUR /
23	Bushing 1920 KU	N323721002	1	KS	EUR /
24	Washer 12	N311214504	2	KS	EUR /
25	Nut M 12	N311129505	1	KS	EUR /
26	Washer	S532092202053	1	KS	EUR /

Model: KAJ2F-21-0001

Group: KAJ06-18-0001

Mowing lifting AJ92

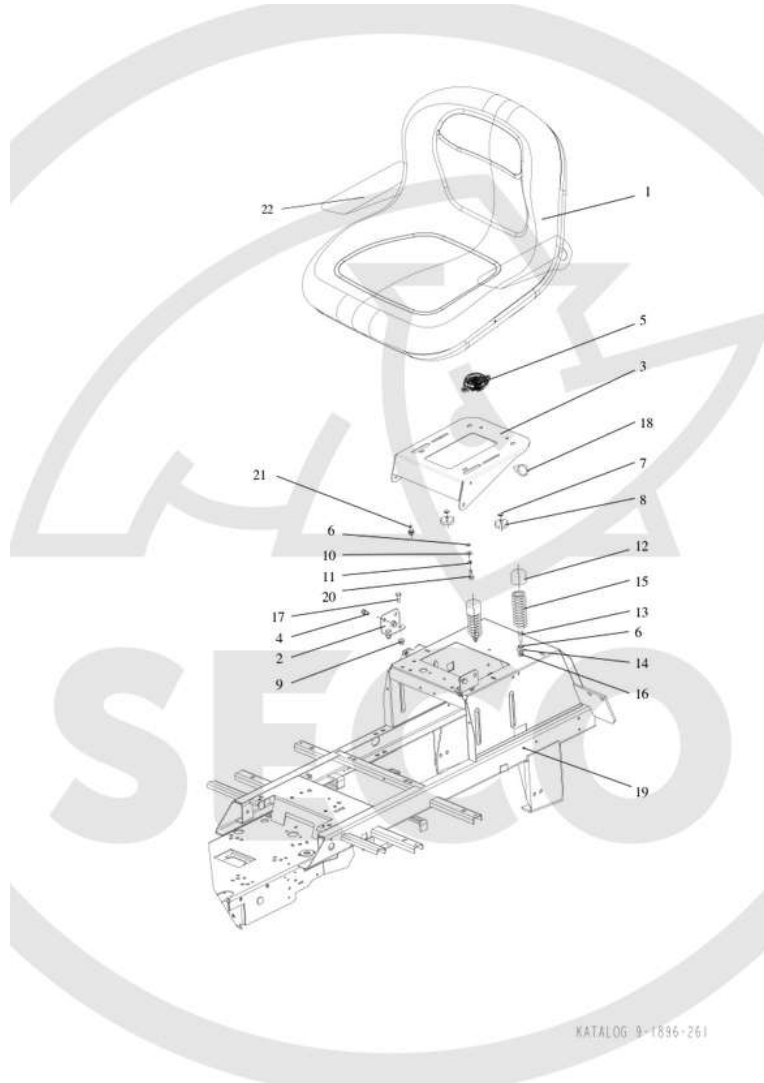


ID	Name	Item code	No.	UOM	Price
1	Lifting arms	S532980508243	1	KS	EUR /
2	Bushing 0-9462-202	N722643023	4	KS	EUR /
3	Washer 17	N311210507	6	KS	EUR /
4	Spindle 3.2x25	N311338517	6	KS	EUR /
5	Lever holder	S532113415563	1	KS	EUR /
6	WASHER	S532092212293	3	KS	EUR /
7	Screw M 10X30	N309503510	3	KS	EUR /
8	Nut M 10	N311129502	3	KS	EUR /
9	Lifting lever	S532980412173	1	KS	EUR /
10	Handrail 0-8832-202	N532151357	1	KS	EUR /
11	Spring 0-9746-504 lifting	N315231265	1	KS	EUR /
12	Lifting segment	S532113425333	1	KS	EUR /
13	Lifting holder	S532913413293	1	KS	EUR /
14	Lifting rod 0-8041-324	N532151192	1	KS	EUR /
15	Lifting rod 0-8042-265	N532151193	2	KS	EUR /
16	Pin	S532090162083	2	KS	EUR /
17	Spacer	S532095213823	2	KS	EUR /
18	Nut M 10	N311150506	4	KS	EUR /
19	Tie rod	S532080323323	2	KS	EUR /
20	Lifting arms	S532913424373	1	KS	EUR /
21	Shaft	S532938122573	1	KS	EUR /
22	Nut M 16 DIN 6926	N311129527	1	KS	EUR /
23	Pin complete	S532993462343	2	KS	EUR /
24	Nut M 12 DIN 6926	N311129526	2	KS	EUR /
25	Spring 0-9746-460	N315231193	1	KS	EUR /
26	Washer 9 Zinc	N311212517	2	KS	EUR /
27	Screw M 8X30	N309503515	1	KS	EUR /
28	Nut M 8 DIN 6926 8 Zinc	N532150290	1	KS	EUR /
29	Screw M 8X25	N309503512	4	KS	EUR /
30	Washer 10.5	N311210504	4	KS	EUR /
31	Nut M 8	N311129501	7	KS	EUR /
32	Spindle 3.2x20	N311338516	6	KS	EUR /
33	Lock ring 12	N311732009	2	KS	EUR /
34	Screw M8X20	N309503518	2	KS	EUR /
35	Flexible spindle 0-9245-999	N315238003	2	KS	EUR /
36	Nut M 10 DIN 6926 Zinc	N311129523	2	KS	EUR /

Model: KAJ2F-21-0001

Group: KMJ11-19-0001

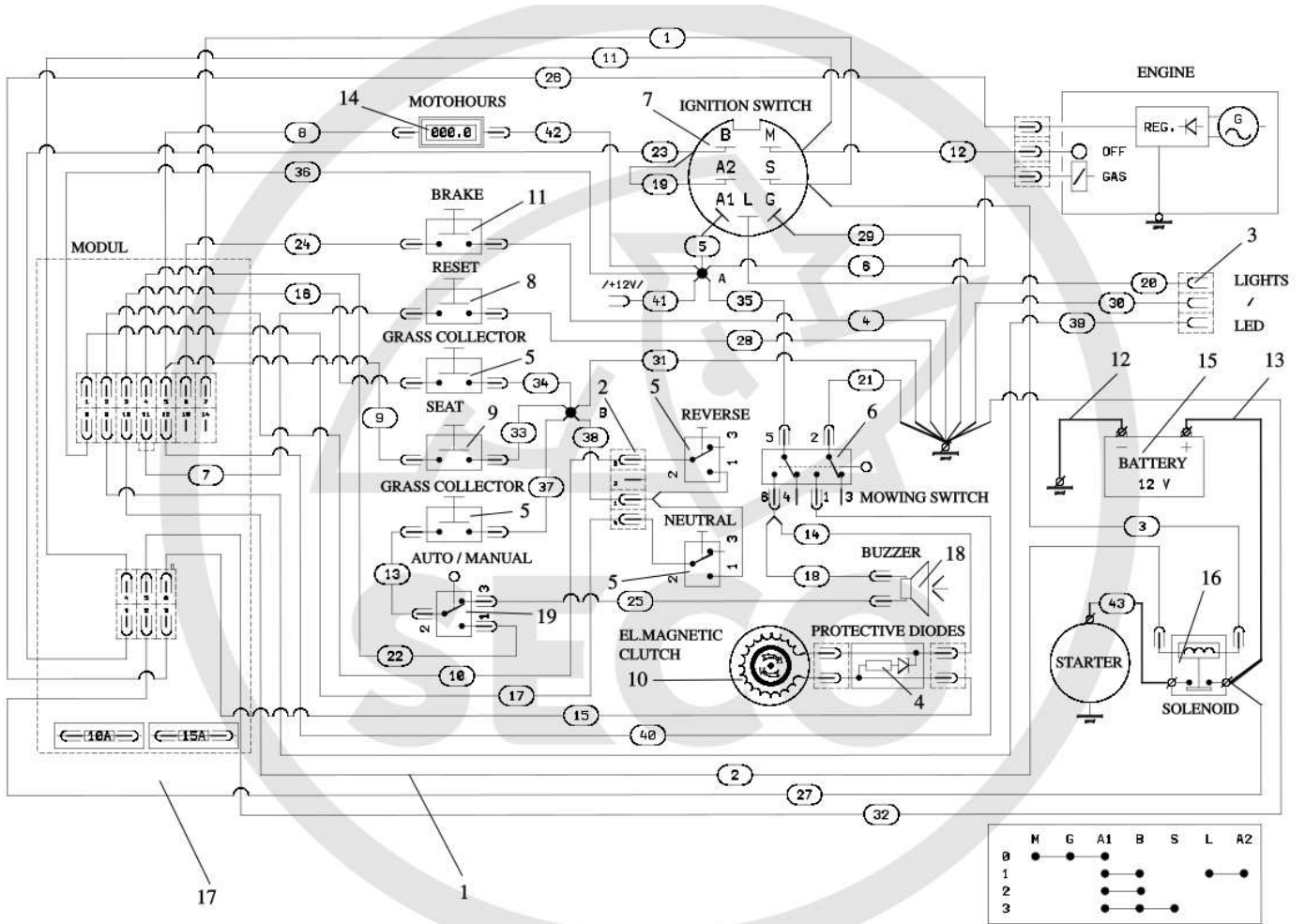
Hood nr.1 XP180 MILSCO +AR



ID	Name	Item code	No.	UOM	Price
1	Seat SP 480 Milsco	N532150988	1	KS	EUR /
2	Carrier holder	S532113402403B	2	KS	EUR /
3	Seat carrier	S532018472433	1	KS	EUR /
4	Carrier screw 0-9016-427	N309599012	2	KS	EUR /
5	Seat switch DELTA 6500-02	N532150990	1	KS	EUR /
6	Washer BN 739 8X12X2	N311219002	2	KS	EUR /
7	Washer 8.4 Zink	N311213503	2	KS	EUR /
8	Stopping nut M8x18 PR.40 black	N532150213	2	KS	EUR /
9	Nut M 8 DIN 6926 8 Zinc	N532150290	6	KS	EUR /
10	Washer 8.4	N311210503	2	KS	EUR /
11	Washer 8	N311214502	2	KS	EUR /
12	Cover 38/A PVC Black	N532150208	2	KS	EUR /
13	Screw M 8X25	N309503512	2	KS	EUR /
14	Washer 9 Zinc	N311212517	4	KS	EUR /
15	Spring 0-9746-441	N315231274	2	KS	EUR /
16	Nut M 8	N311129501	2	KS	EUR /
17	Screw M8X20	N309503518	4	KS	EUR /
18	Clip WSBH 1-0-1	N532150211	1	KS	EUR /
19	Chassis complete 92	S532912962813	1	KS	EUR /
20	Screw M 8x25 DIN 7500 D	N309578540	4	KS	EUR /
21	Screw M 8x25 DIN 7500 D	N309578540	2	KS	EUR /
22	Arm rests C 7494 BS	N532150989	1	SD	EUR /

Model: KAJ2F-21-0001
 Group: KAJ13-15-0001

Electrical installation Challenge



ID	Name	Item code	No.	UOM	Price
1	Wiring harness KS 004067	N341271186	1	KS	EUR /
2	Switches harness KS 004081	N341271193	1	KS	EUR /
3	Light harness 9-8316-623	N341271169	1	KS	EUR /
4	Protective diodes harness 9-8316-	N341271052	1	KS	EUR /
5	Microswitch MKH 12 D 13-S1	N345359004	4	KS	EUR /
6	Switch VDD2S001 9ZZCR 100	N345329023	1	KS	EUR /
7	Switch box Delta 6900-47 P	N443861007	1	KS	EUR /
8	Switch 1932.3413	N345329025	1	KS	EUR /
9	Microswitch 6520 Delta	N345359005	1	KS	EUR /
10	Elmag. clutch I-5217-38	N532151196	1	KS	EUR /
11	Switch DELTA 6700-01B	N532150994	1	KS	EUR /
12	Cable 9-8316-570	N341271021	1	KS	EUR /
13	Cable 9-8316-624 solenoid+battery	N341271172	1	KS	EUR /
14	Hour-meter SEN DEC DIGITAL	N443433003	1	KS	EUR /
15	Battery 12V-24Ah dry,charged	N346211006	1	KS	EUR /
16	Solenoid Trombetta 764-1221-210	N532151619	1	KS	EUR /
17	Module KS 004062 AJ06/14	N341271187	1	KS	EUR /
18	Buzzer PF 27 A 29 EP	N443312021	1	KS	EUR /
19	Switch 1934.3112	N345329017	1	KS	EUR /

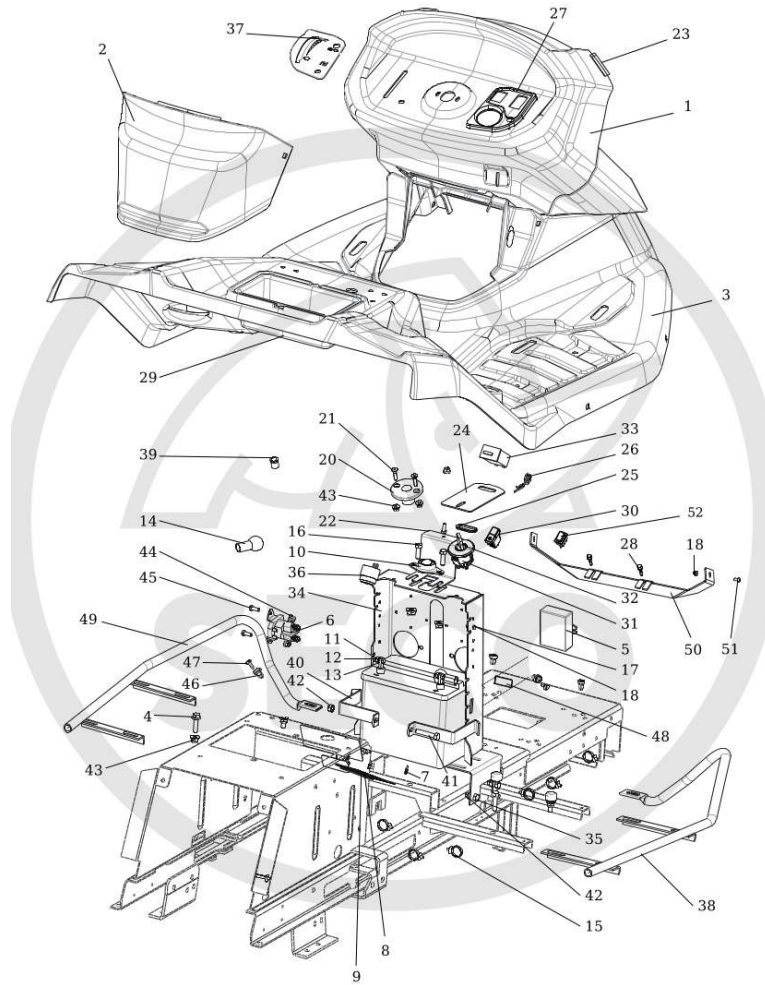
Model:

KAJ2F-21-0001

Group:

KMJ15-19-0001

Dashboard MJ102 - RAL6029

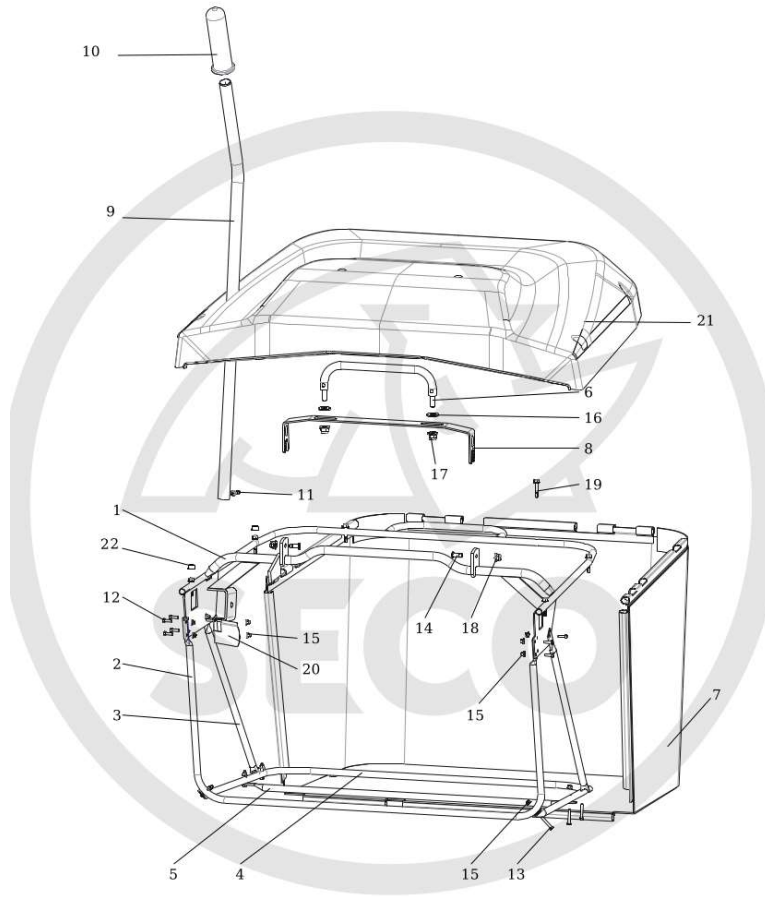


ID	Name	Item code	No.	UOM	Price
1	Panel 0-8048-351 model 2017	N532151584	1	KS	EUR /
2	Battery cover 0-8547-236 AJ	N532151613	1	KS	EUR /
3	PODLAHA 9-1847-281 AJ,MJ MOD.2017	N532151693	1	KS	EUR /
4	Screw M 8X30 DIN 6921 8.8 Zinc	N309578012	4	KS	EUR /
5	Module KS 004062 AJ06/14	N341271187	1	KS	EUR /
6	Solenoid Trombetta 764-1221-210	N532151619	1	KS	EUR /
7	Rivet 282702	N532151116	2	KS	EUR /
8	Label 0-8732-336	N283292228	1	KS	EUR /
9	Label 0-8732-251 Slope	N283292159	1	KS	EUR /
10	Ball BEARING FL M12	N324196022	1	KS	EUR /
11	Screw M 6X20	N309503548	4	KS	EUR /
12	Washer 6.4	N311210502	2	KS	EUR /
13	Nut M 6	N311129513	2	KS	EUR /
14	Cover 273 125 020 050	N273125006	2	KS	EUR /
15	Clip WSBH 1-0-1	N532150211	9	KS	EUR /
16	Screw M 8X25	N309503512	2	KS	EUR /
17	Screw M 5X16	N309203539	1	KS	EUR /
18	Nut M 5 DIN 6926 Zinc	N311129524	3	KS	EUR /
19	Not used in this performance	NK00000000	1	KS	EUR /
20	Steering wheel bushing 0-1652-226	N321841069	1	KS	EUR /
21	Screw M 6X25 DIN7991 10.9 Zinc	N309578503	2	KS	EUR /
22	HOLDER	S532113415583	1	KS	EUR /
23	Braid	S532096342193	2	KS	EUR /
24	Holder	S532113404693	1	KS	EUR /
25	Rubber sleeve 22X2	N273121027	1	KS	EUR /
26	Flexible spindle 0-9245-233	N315238005	1	KS	EUR /
27	Label 1-8732-489 Export 2016R	N283293257	1	KS	EUR /
28	Screw ST 6.3x19 DIN7504-K BN1880	N309315016	2	KS	EUR /
29	Case 0-8642-236	N532151194	1	KS	EUR /
30	Switch VDD2S001 9ZZCR 100	N345329023	1	KS	EUR /
31	Switch box Delta 6900-47 P	N443861007	1	KS	EUR /
32	Starting key DELTA 688P-001	N443900137	1	SD	EUR /
33	Hour-meter SEN DEC DIGITAL	N443433003	1	KS	EUR /
34	Column	S532016422283	1	KS	EUR /
35	Screw M 8X16	N309503517	4	KS	EUR /
36	Buzzer PF 27 A 29 EP	N443312021	1	KS	EUR /
37	Label 1-8732-490 Export 2016 L	N283293256	1	KS	EUR /
38	Floor reinforcement right	S532015422043	1	KS	EUR /
39	Not used in this performance	NK00000000	1	KS	EUR /
40	BATTERY HOLDER	S532113425353	2	KS	EUR /
41	Screw M8x45	N309503559	1	KS	EUR /
42	Nut M 8	N311129501	5	KS	EUR /
43	Nut M 8 DIN 6926 8 Zinc	N532150290	6	KS	EUR /

44	Nut M 6 DIN 6926	N311129525	7 KS	EUR /
45	Screw M6X16	N309503508	3 KS	EUR /
46	Seating D7-201-802-010	N532150903	6 KS	EUR /
47	Pin D7-201-711-010	N532150904	6 KS	EUR /
48	Blind flange G 20X15 (europlast)	N321841093	2 KS	EUR /
49	Floor reinforcement left	S532015422053	1 KS	EUR /
50	Panel holder	S532113425363	1 KS	EUR /
51	Screw M 5x16 ISO 7380 8.8	N309578532	2 KS	EUR /
52	Switch 1932.3413	N345329025	1 KS	EUR /

Model: KAJ2F-21-0001
Group: KAJ16-19-0001

Grass collector AJ/MJ RAL6029

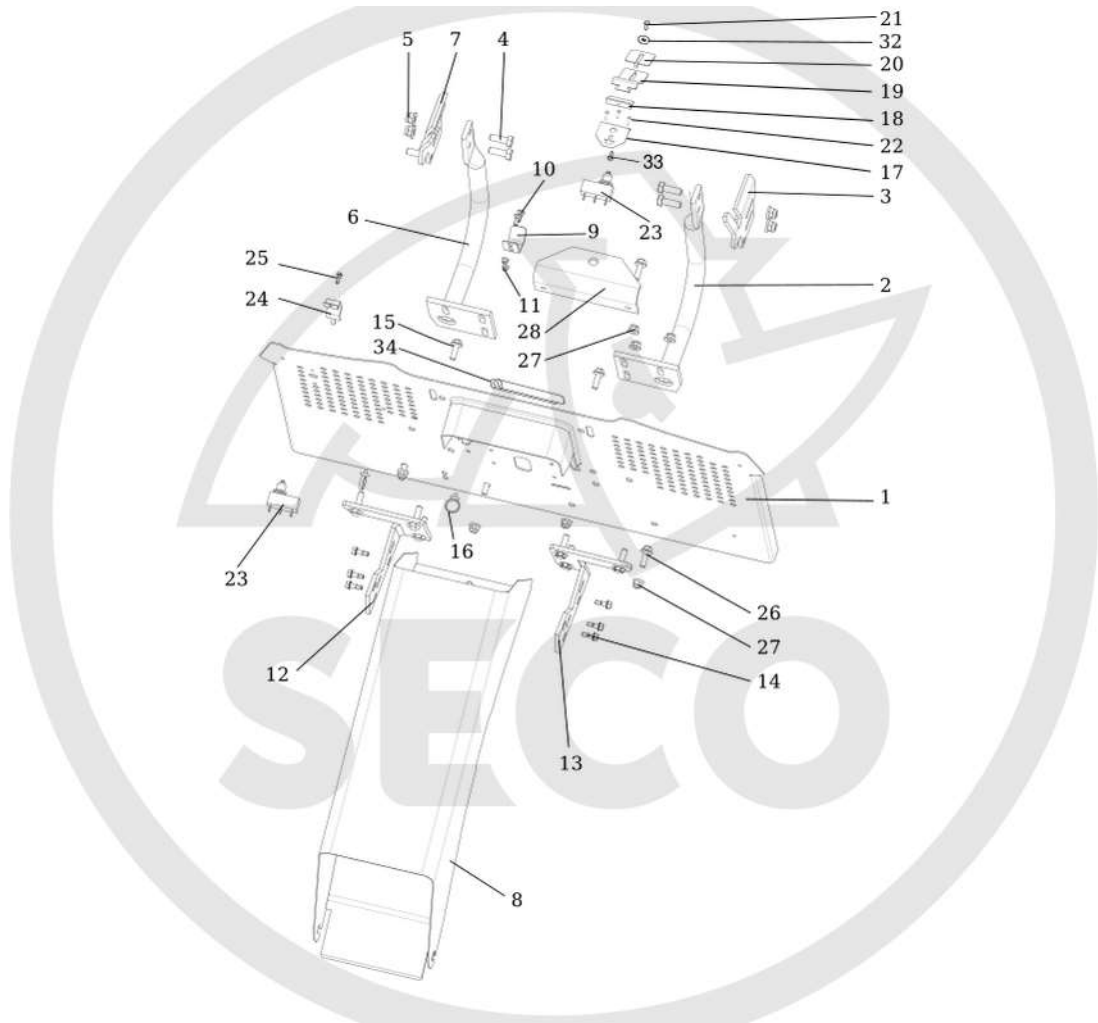


ID	Name	Item code	No.	UOM	Price
1	Frame upper	S532974472693	1	KS	EUR /
2	Front pipe	S532074442233	1	KS	EUR /
3	Strut	S532074262133	2	KS	EUR /
4	Lower pipe	S532074442253	1	KS	EUR /
5	Connecting tube	S532074262013	1	KS	EUR /
6	Handle compl.	S532913463253	1	KS	EUR /
7	Grass Bag 9-7432-202	N532150135	1	KS	EUR /
8	Reinforcement	S532015408483	1	KS	EUR /
9	Lever Dumping	S532074202013	1	KS	EUR /
10	Handle MOSS 10189	N532151120	1	KS	EUR /
11	Screw M 5X12	N309203548	1	KS	EUR /
12	Screw M 5X16	N309203539	8	KS	EUR /
13	Screw M 5X30	N309203555	6	KS	EUR /
14	Screw M 8X20 BN 1206	N309578535	2	KS	EUR /
15	Nut M 5 DIN 6926 Zinc	N311129524	15	KS	EUR /
16	Washer 11 black	N311212040	2	KS	EUR /
17	Nut M 10 DIN 6926 Zinc	N311129523	2	KS	EUR /
18	Nut M 8 DIN 6926 8 Zinc	N532150290	2	KS	EUR /
19	Screw ST 6.3X32 DIN 7504 K	N309315013	6	KS	EUR /
20	Grass box-spring Snapper	S532097402233	1	KS	EUR /
21	VÍKO 0-7447-298 MODEL 2017	N532151691	1	KS	EUR /
22	Cap 035 0612 220 03 Dual	N532151425	6	KS	EUR /
23	BAL. Č.2-232 ZÁSOBNÍK TRÁVY AJ/MJ	S532986022323	1	KS	EUR /

Model: KAJ2F-21-0001

Group: KAJ17-17-0003

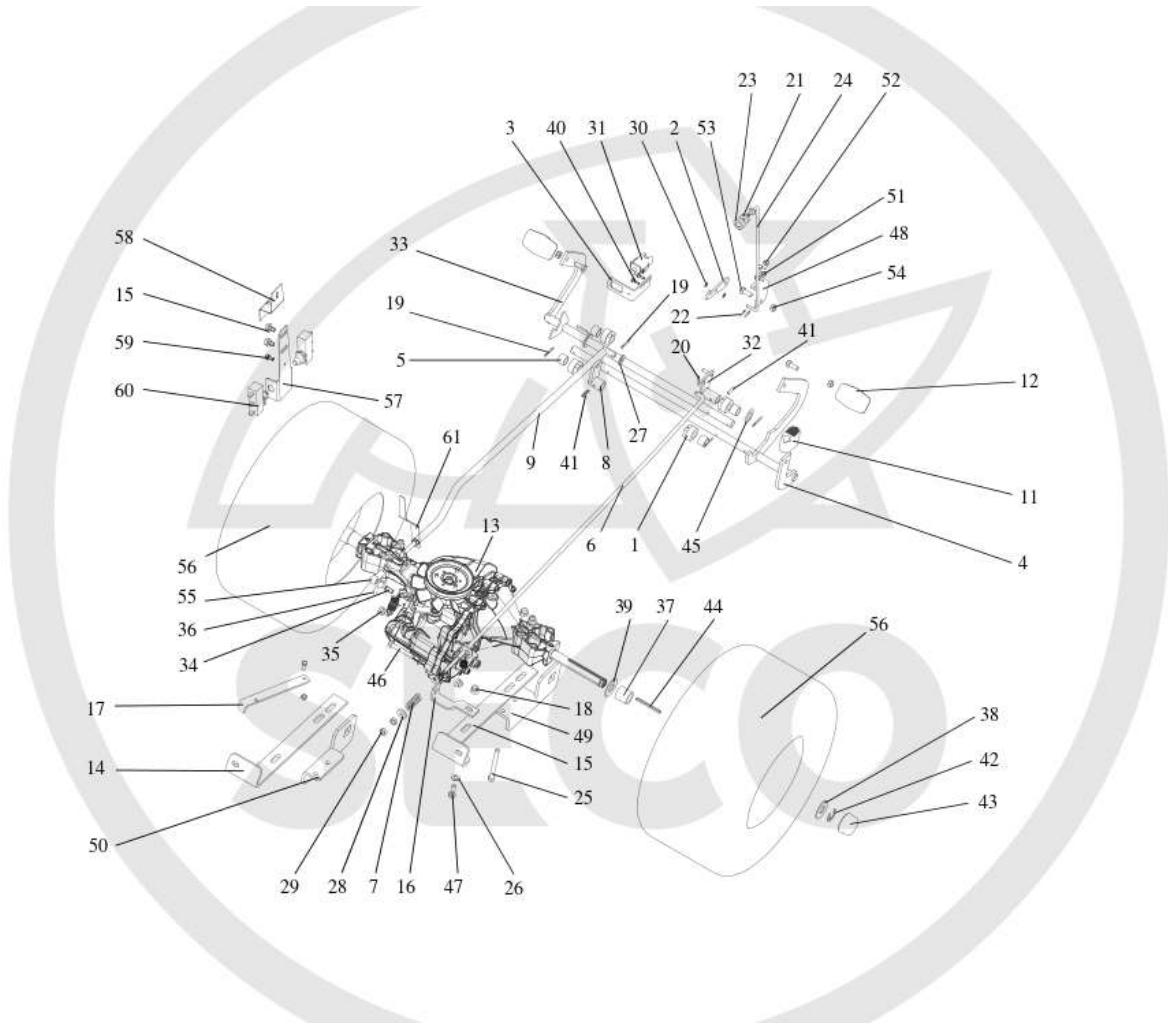
Tunnel Challenge 2017



ID	Name	Item code	No.	UOM	Price
1	Grassbox board model 2017/AJ	S532974422433	1	KS	EUR /
2	Left holder AJ92	S532974432483	1	KS	EUR /
3	Holder left UJ	S532913362033	1	KS	EUR /
4	Screw M 10X30	N309503510	6	KS	EUR /
5	Nut M 10 DIN 6926 Zinc	N311129523	6	KS	EUR /
6	Right holder AJ92	S532974432463	1	KS	EUR /
7	Holder right UJ	S532913362043	1	KS	EUR /
8	Tunnel AJ92	S532974472703	1	KS	EUR /
9	Spring	S532097464993	1	KS	EUR /
10	Screw M 5X16 Zinc	N309019514	2	KS	EUR /
11	Nut M 5 DIN 6923 8 Zn toothed	N311129532	2	KS	EUR /
12	Board holder left	S532913402043	1	KS	EUR /
13	Board holder right	S532913402033	1	KS	EUR /
14	Screw M 6x20 DIN 7500	N309578538	6	KS	EUR /
15	Screw M8x25 DIN 6921 with teeth	N309578555	2	KS	EUR /
16	Clip WSBH 1-0-1	N532150211	2	KS	EUR /
17	Plug plate	S532114302043	1	KS	EUR /
18	Holder	S532113408353	1	KS	EUR /
19	Plug plate	S532014417343	1	KS	EUR /
20	Plug plate	S532014417353	1	KS	EUR /
21	Screw M 6X10	N309503507	1	KS	EUR /
22	Screw M 6x10 DIN 7500 D	N309578545	3	KS	EUR /
23	Microswitch MKH 12 D 13-S1	N345359004	2	KS	EUR /
24	Switch cover	S532085415813	1	KS	EUR /
25	Screw M 5x12 DIN 7500D BN3326	N309578544	1	KS	EUR /
26	Screw M 8X25 DIN 6921 8.8 Zinc	N309578011	4	KS	EUR /
27	Nut M 8 DIN 6926 8 Zinc	N532150290	10	KS	EUR /
28	Tow hitch	S532113402453	1	KS	EUR /
29	Nut M 5 DIN 6926 Zinc	N311129524	2	KS	EUR /
30	Screw M 5X16	N309203539	2	KS	EUR /
31	Spring	S532097452243	1	KS	EUR /
32	Control head 0-8060-201	N532151790	1	KS	EUR /
33	Screw M 6x10 KL 100 RIPP Zinc	N309503579	1	KS	EUR /
34	Edging with steel fibre 22-6784-1	N273232022	0	M	EUR /

Model: KAJ2F-21-0001
Group: KAJ18-17-0001

Challenge Drive and brake control

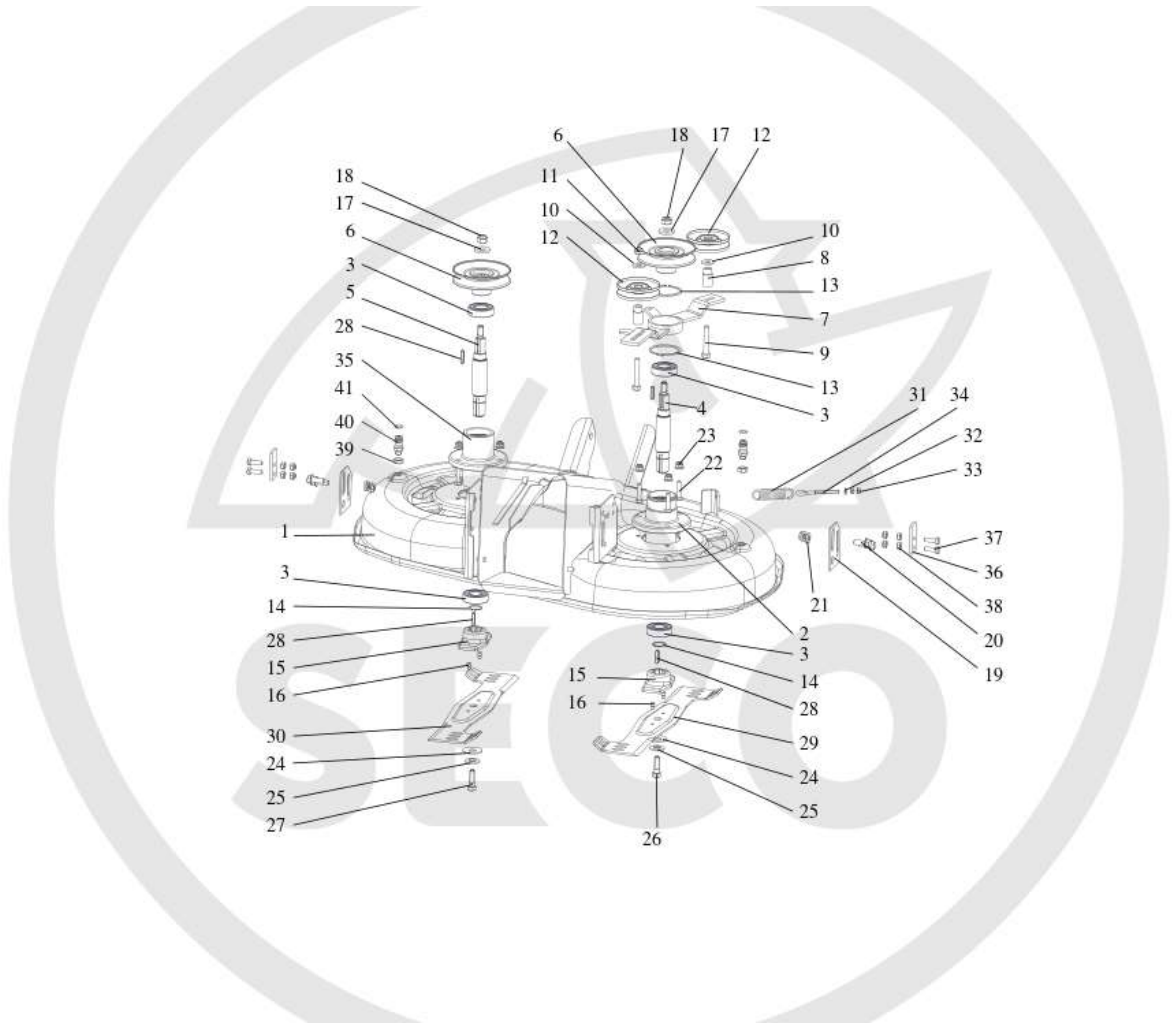


ID	Name	Item code	No.	UOM	Price
1	Bushing 0-9462-202	N722643023	4	KS	EUR /
1	Latch	S532037322233	1	KS	EUR /
3	Switch holder	S532113408253	1	KS	EUR /
4	Travel lever	S532980442613	1	KS	EUR /
5	Pedal spacer	S532095212883	4	KS	EUR /
6	Brake control rod 0-8041-327	N532151184	1	KS	EUR /
7	Spring 0-9746-449	N315231171	1	KS	EUR /
8	Arm complete	S532980364823	1	KS	EUR /
9	Driving control rod 9-8042-238	N532151197	1	KS	EUR /
10	Not used in this performance	NK00000000	1	KS	EUR /
11	Pedal cover 0-8832-234	N273151013	1	KS	EUR /
12	Foot pedal plastic 0-8051-202	N532151568	2	KS	EUR /
13	Gearbox HYDRO GEAR T2	N532991062	1	KS	EUR /
14	LEFT HOLDER	S532113408273	1	KS	EUR /
15	RIGHT HOLDER	S532113408263	1	KS	EUR /
16	Gearbox holder	S532113425343	1	KS	EUR /
17	BYPASS ROD	S532080403183	1	KS	EUR /
18	Nut M 8 DIN 6926 8 Zinc	N532150290	6	KS	EUR /
19	Spindle 3.2x25	N311338517	4	KS	EUR /
20	Spindle 3.2x20	N311338516	1	KS	EUR /
21	Washer 0-9620-392 T5	N273192027	1	KS	EUR /
22	Spindle 1.6x12	N311338513	2	KS	EUR /
23	Rotary button black Nylon KTSR	N532150993	1	KS	EUR /
24	Parking brake control rod 9-8042-	N532151186	1	KS	EUR /
25	Screw M 8X90	N309501567	4	KS	EUR /
26	Washer 8.4	N311210503	6	KS	EUR /
27	Washer 10.5	N311210504	1	KS	EUR /
28	Washer 9 Zinc	N311212517	2	KS	EUR /
29	Nut M 8	N311120520	2	KS	EUR /
30	Washer 5.3	N311210501	2	KS	EUR /
31	Seat switch Delta 6440-04	N000532079	1	KS	EUR /
32	Foot complete	S532980365393	1	KS	EUR /
33	Brake pedal	S532980442583	1	KS	EUR /
34	Spherical pin 13 DIN 71803 C Zinc	N442073017	1	KS	EUR /
35	Nut M8 DIN 6923 8 Zinc. toothed	N311129520	1	KS	EUR /
36	Safety U-strap 13 DIN 71805 S Zin	N442073018	1	KS	EUR /
37	Spacer	S532195203773	2	KS	EUR /
38	Washer	S532092208363	4	KS	EUR /
39	Washer	S532092208153	10	KS	EUR /
40	Screw ST 4,2X13 DIN7504-K BN1880	N309315012	2	KS	EUR /
41	Spring Pin 5X22	N315238037	2	KS	EUR /
42	Lock ring E-75 3/4	N311732023	2	KS	EUR /
43	Cover 0-8025-237	N532150915	2	KS	EUR /

44	Key 0-9231-216	N311726099	2	KS	EUR /
45	Washer 17	N311210507	2	KS	EUR /
46	Bolt M5x35	N309503556	1	KS	EUR /
47	Screw M 8X25	N309503512	1	KS	EUR /
48	Ratchet holder	S532113408283	1	KS	EUR /
49	Right lift holder	S532113408303	1	KS	EUR /
50	Left lift holder	S532113408293	1	KS	EUR /
51	Nut M 6	N311129513	3	KS	EUR /
52	Screw M6X16	N309503508	3	KS	EUR /
53	Screw M8X20	N309503518	3	KS	EUR /
54	Nut M 8	N311129501	3	KS	EUR /
55	Ball bushing 13 DIN71805B Zinc	N442073016	1	KS	EUR /
56	Wheel rear 18x8.50-8 CHEVRON	N532940172	2	KS	EUR /
57	Switch holder UJ	S532014402173	1	KS	EUR /
58	Neutral-switch cover	S532014412013	1	KS	EUR /
59	Screw M 4X8 D 7500 D	N309578507	1	KS	EUR /
60	Microswitch MKH 12 D 13-S1	N345359004	2	KS	EUR /
61	Reset spring	S532097412053	1	KS	EUR /

Model: KAJ2F-21-0001
Group: KAJ20-12-0001

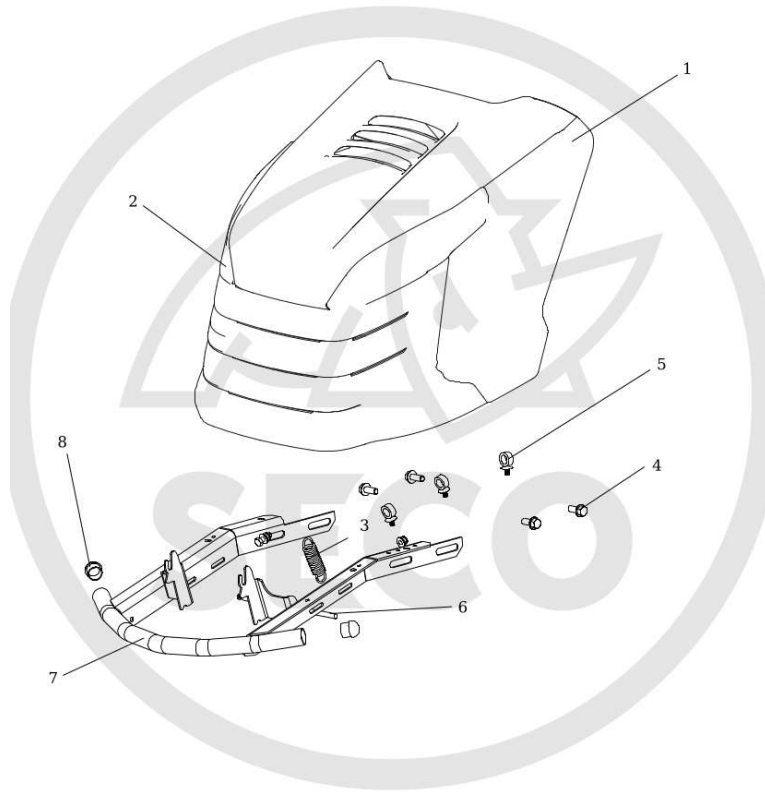
Mowing unit no.1 Challenge



ID	Name	Item code	No.	UOM	Price
1	Mowing cover 92/2011	S532950472283	1	KS	EUR /
2	Flange	S532038523923	1	KS	EUR /
3	Bearing 6205 2 RS C 66IB	N324162099	4	KS	EUR /
4	SHAFT	S532038128403	1	KS	EUR /
5	Shaft	S532038128413	1	KS	EUR /
6	Pulley compl. 9-3325-293	N532151209	2	KS	EUR /
7	Tensioner pulley holder	S532913413303	1	KS	EUR /
8	Bushing	S532094214173	2	KS	EUR /
9	Screw M 10X60	N309503519	2	KS	EUR /
10	Washer 11 Zinc	N311212521	2	KS	EUR /
11	Nut M 10	N311129502	2	KS	EUR /
12	Pulley Compensa C-00237/2	N532150784	2	KS	EUR /
13	Safety ring 60	N311733032	2	KS	EUR /
14	Lock ring 25	N311733014	2	KS	EUR /
15	Flange	S532098212403	2	KS	EUR /
16	Shear Stud 0-9311-736 (100 PCs)	N532980077	4	KS	EUR /
17	Washer	S532092207273	2	KS	EUR /
18	Nut M 12	N311129505	2	KS	EUR /
19	Foot	S532014417293	2	KS	EUR /
20	Screw M10X25KL100 Ripp. V. DACROM	N309578529	4	KS	EUR /
21	Nut M10 RIPP KL 10 BN 2798	N311129522	4	KS	EUR /
22	Screw M 8X35	N309503543	6	KS	EUR /
23	Nut M 8 DIN 6926 8 Zinc	N532150290	6	KS	EUR /
24	Washer BN 806-40x16.3x2x3.1	N311219503	2	KS	EUR /
25	Washer	S532092207493	2	KS	EUR /
26	Screw 0-9011-283 M10 Left	N309599008	1	KS	EUR /
27	Screw 0-9011-287 M10	N309599017	1	KS	EUR /
28	Key 6E7X6X28	N311726091	1	KS	EUR /
29	Blade right (AJ92)	S532050422843	1	KS	EUR /
30	Blade left (AJ92)	S532050422833	1	KS	EUR /
31	Spring 0-9746-490	N315231234	1	KS	EUR /
32	Washer 6.4	N311210502	1	KS	EUR /
33	Nut M6	N311150504	2	KS	EUR /
34	Screw M 6x80 with eye BN1006 Zinc	N309578523	1	KS	EUR /
35	Flange	S532038523933	1	KS	EUR /
36	Foot	S532114327243	2	KS	EUR /
37	Screw M 8X25	N309503512	4	KS	EUR /
38	Nut M 8	N311129501	8	KS	EUR /
39	Nut M 12	N311120511	2	KS	EUR /
40	Quick fastener 0-9026-246	N532150533	1	KS	EUR /
41	Ring 10.78X2.62 NBR 70-SH	N273111057	1	KS	EUR /

Model: KAJ2F-21-0001
Group: KAJ21-20-0001

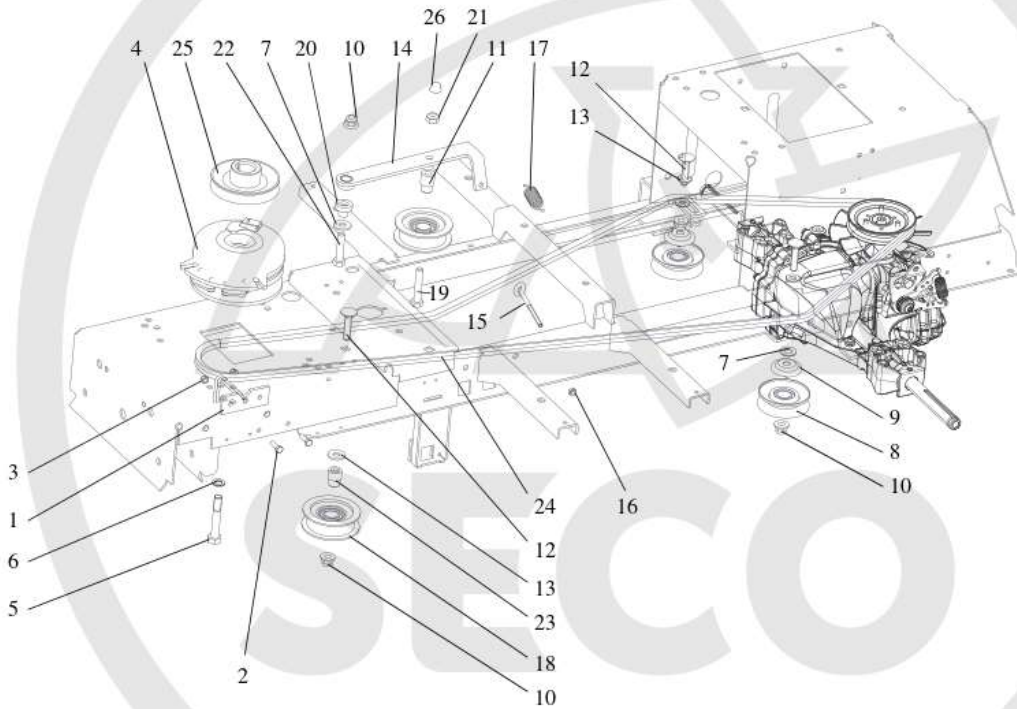
Challenge hood RAL6029



ID	Name	Item code	No.	UOM	Price
1	Hood compl. 9-1849-421 green	N532151528	1	KS	EUR /
2	Light harness 9-8316-623	N341271169	1	KS	EUR /
3	Spring 0-9746-472	N315231203	1	KS	EUR /
4	Screw M 8x35 DIN 7991 10.9 Zinc	N309578534	4	KS	EUR /
5	Clip WSBH 1-0-1	N532150211	3	KS	EUR /
6	Safety bar	S532013102143	1	KS	EUR /
7	Bumper Telsnig§	S532918452193	1	KS	EUR /
8	Convex cap 28X1,5-2	N321841091	2	KS	EUR /

Model: KAJ2F-21-0001
Group: KAJ22-12-0001

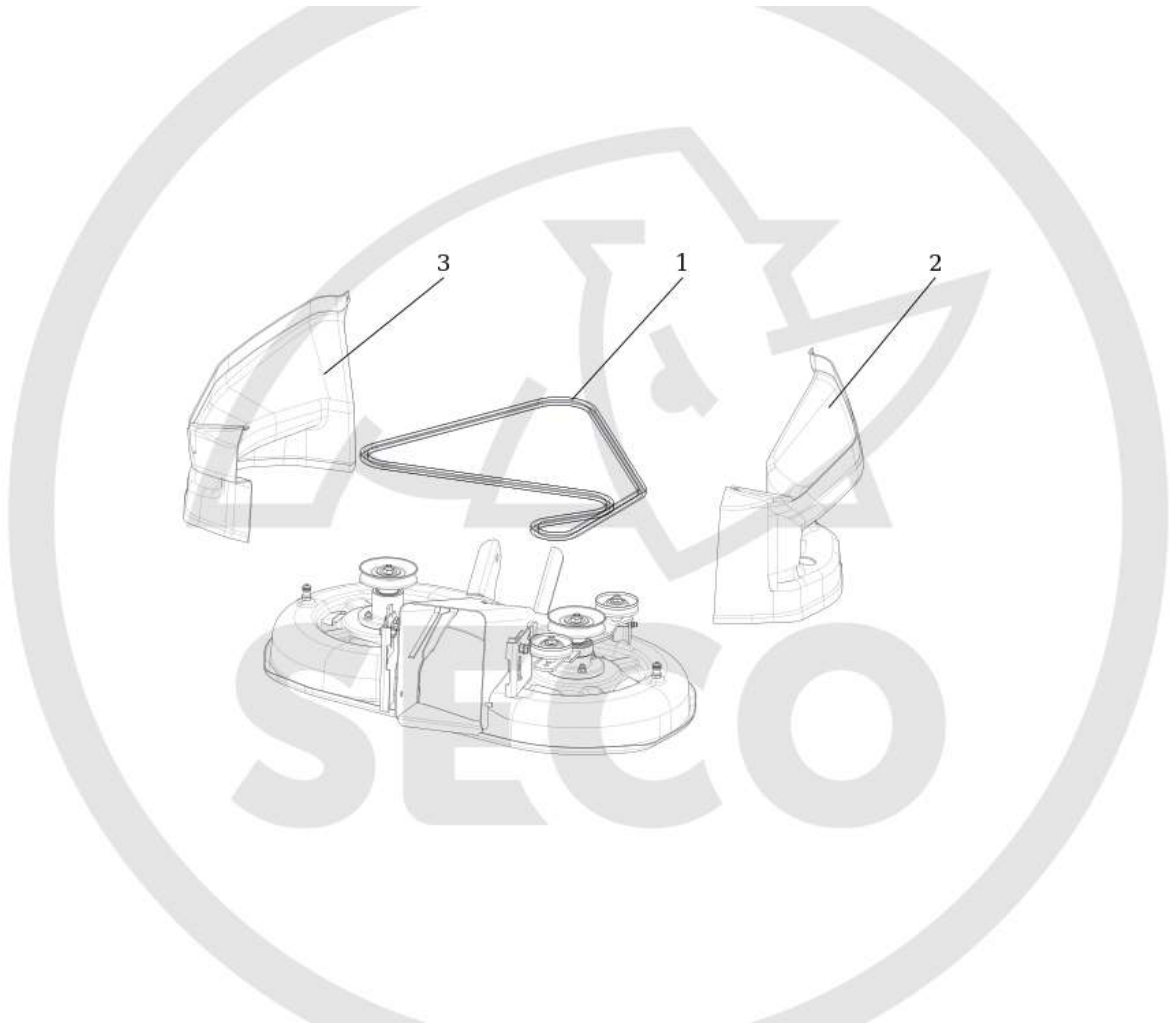
El. clutch and pulleys Challenge



ID	Name	Item code	No.	UOM	Price
1	Clutch stopper	S532936362263	1	KS	EUR /
2	Screw M 6X20	N309503548	2	KS	EUR /
3	Nut M 6 DIN 6926	N311129525	2	KS	EUR /
4	Elmag. clutch I-5217-38	N532151196	1	KS	EUR /
5	Screw UNF 7/16"X3" 10.9 ZINK	N309579511	1	KS	EUR /
6	Washer NL 11 glued Dacromet	N311219516	1	KS	EUR /
7	Washer 11 Zinc	N311212521	4	KS	EUR /
8	Pulley Compensa C-00237/1	N532150824	2	KS	EUR /
9	Cover C-00693 Compensa	N532151119	2	KS	EUR /
10	Nut M 10 DIN 6926 Zinc	N311129523	4	KS	EUR /
11	Case	S532094215953	1	KS	EUR /
12	Screw M10X45 021319 Zinc	N309019531	3	KS	EUR /
13	Washer 13	N311210505	3	KS	EUR /
14	Tension travel holder	S532913323033	1	KS	EUR /
15	Screw M 6x80 with eye BN1006 Zinc	N309578523	1	KS	EUR /
16	Nut M 6	N311129513	1	KS	EUR /
17	Spring TZ 2x14x62 Zinc	N315231111	1	KS	EUR /
18	Pulley plastic BBT B18 337	N532150733	2	KS	EUR /
19	Screw M 10X55	N309203525	1	KS	EUR /
20	Bushing	S532094214513	1	KS	EUR /
21	Nut M 10	N311129502	1	KS	EUR /
22	Screw M 10x45	N309203544	1	KS	EUR /
23	Tension pulley case	S532094214533	1	KS	EUR /
24	V-Belt 13x2580 Li BBT	N272731217	1	KS	EUR /
25	Engine pulley 9-3325-289	N532151118	1	KS	EUR /
26	Screw cap MOSS 034101622003	N532151680	1	KS	EUR /

Model: KAJ2F-21-0001
Group: KAJ23-17-0001

Mowing unit n.2 - Challenge

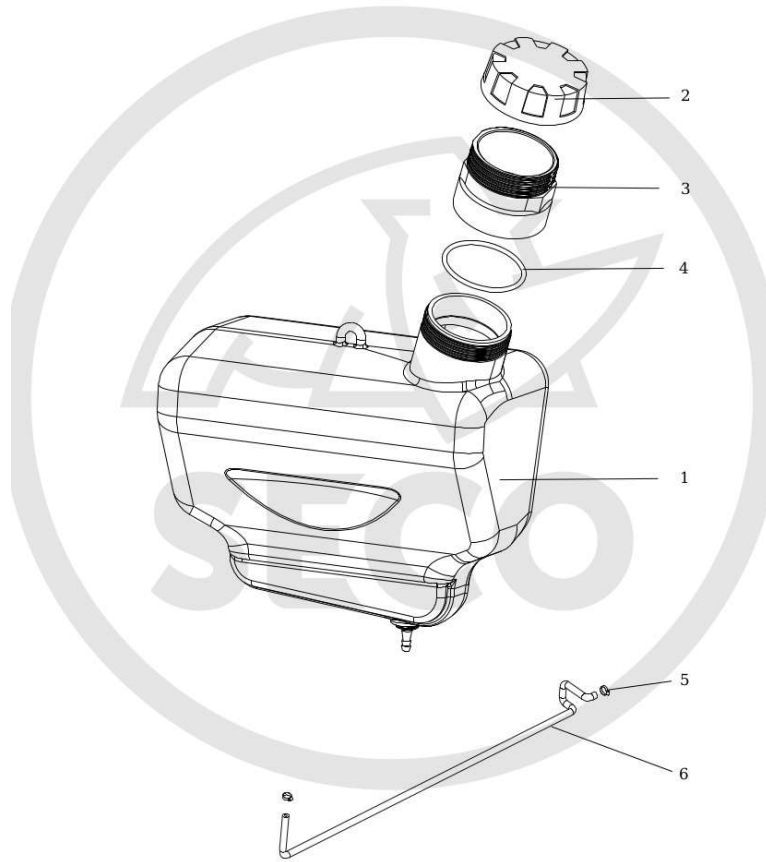




ID	Name	Item code	No.	UOM	Price
1	V-belt AA 85 POWER TYP 313	N272731234	1	KS	EUR /
2	Belt cover 0-8547-232 R AJ92	N532151590	1	KS	EUR /
3	Belt cover 0-8547-231 L AJ92	N532151589	1	KS	EUR /

Model: KAJ2F-21-0001
Group: KAJ25-17-0001

Challenge - fuel tank





ID	Name	Item code	No.	UOM	Price
1	Fuel tank 0-2766-220 clear	N232130021	1	KS	EUR /
2	Fuel tank Cap 9-2725-201	N321841017	1	KS	EUR /
3	Tank throat 0-2721-203	N532151591	1	KS	EUR /
4	Ring 67x5 NBR 70 SH	N273111062	1	KS	EUR /
5	Clip UM 5008	N000532058	2	KS	EUR /
6	Fuel hose for NJ, AJ, UJ	S532986018003	1	KS	EUR /