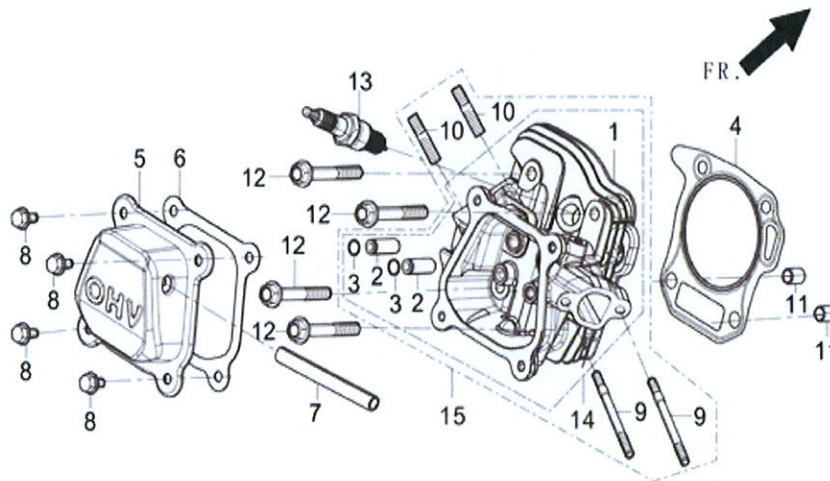


R 210 BH

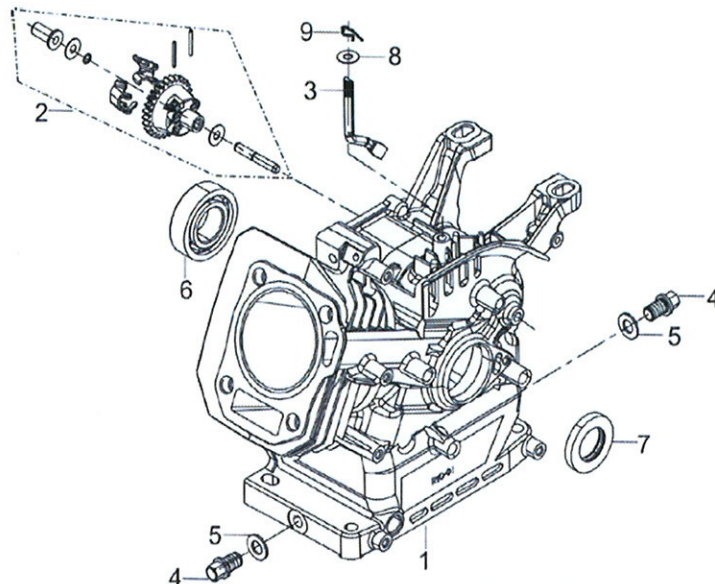
PUBERT R210 GASOLINE ENGINE

FIG.1 HEAD SUBASSEMBLY, CYLINDER / PLUG, SPARK (E04)



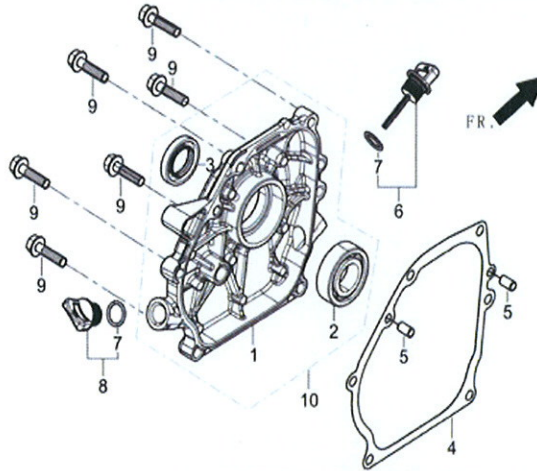
REF.NO	Reference Externe - External reference	Reference PUBERT	Disponible / Available	DESIGNATION - DESCRIPTION	QTY
E04-4	12131-Z530120-0000	000 121 0101	YES	GASKET, CYLINDER HEAD	1
E04-5	12410-Z440210-0099	000 121 0001	YES	COVER SUBASSEMBLY, CYLINDER HEAD	1
E04-6	12004-Z440210-0000	000 118 0002	YES	GASKET, CYLINDER HEAD COVER	1
E04-7	17004-Z440110-0000	000 115 0034	YES	TUBE, BREATHER	1
E04-8	90001-0612-01			BOLT	4
E04-9	90204-Z010310-0000			STUD	2
E04-10	90203-Z010110-0000			STUD	2
E04-11	90502-1114-00			PIN	2
E04-12	12003-Z010110-0000			BOLT, CYLINDER HEAD	4
E04-13	30010-Z010110-0000	95 01 000 304	YES	PLUG, SPARK	1
E04-15	12140-Z440310-0000	000 121 0102	YES	HEAD SUBASSEMBLY, CYLINDER	1

FIG.2 CRANKCASE. / GEAR ASSY, GOVERNOR. (E17)



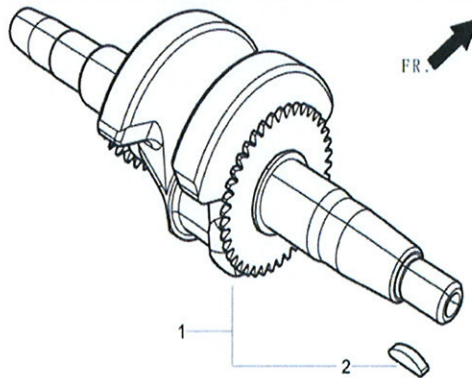
REF.NO	Reference Externe - External reference	Reference PUBERT	Disponible / Available	DESIGNATION - DESCRIPTION	QTY
E17-1	11310-Z530320-0000	000 121 0103	YES	CRANKCASE SUBASSEMBLY	1
E17-2	16400-Z010110-0000	000 118 0050	YES	GEAR ASSY, GOVERNOR	1
E17-3	16061-Z010110-0000			ARM, GOVERNOR	1
E17-4	11007-Z010110-0000	95 01 004 145	YES	BOLT, DRAIN PLUG	2
E17-5	90408-Z010110-0000	000 120 0006	YES	WASHER	2
E17-6	90548-0205-CL	000 11 00124	YES	BEARING	1
E17-7	90682-Z300110-0000	000 118 0005	YES	SEAL, OIL	1
E17-8	90408-Z010210-0000			WASHER, GOVERNOR GEAR	1
E17-9	90501-Z010110-0000			PIN	1

FIG.3 COVER SUBASSEMBLY, CRANKCASE (E01)



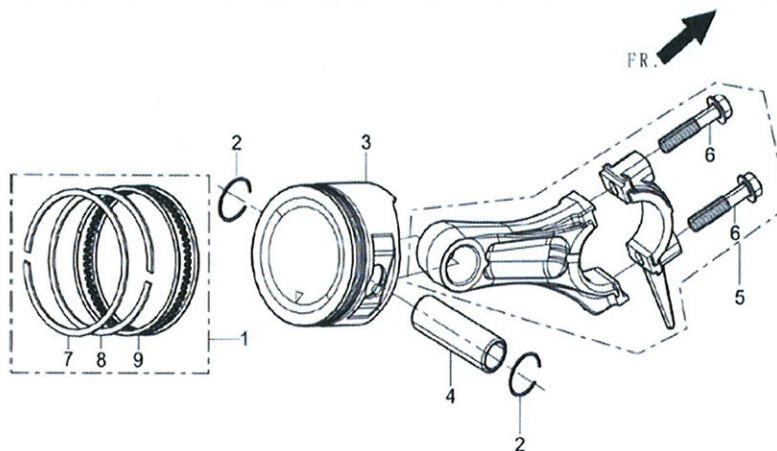
REF.NO	Reference Externe - External reference	Reference PUBERT	Disponibile / Available	DESIGNATION - DESCRIPTION	QTY
E01-1	11411-Z440310-0000	000 121 0004	Yes	COVER , CRANKCASE	1
E01-2	90548-0205-CI	000 11 00124	Yes	BEARING	1
E01-3	90682-Z300110-0000	000 118 0005	Yes	SEAL, OIL	1
E01-4	11001-Z440110-0000	000 106 0053	Yes	GASKET, CRANKCASE	1
E01-5	90502-0912-00			PIN	2
E01-6	15010-Z010120-Q500	000 118 0008	Yes.	DIPSTICK SUBASSEMBLY, OIL	1
E01-8	15030-Z010120-Q500			PLUG SUBASSEMBLY, ENGINE OIL	1
E01-9	90001-0832-01			BOLT	6

FIG.4 ROD,CRANKSHAFT CONNETING (E03)



REF.NO	Reference Externe - External reference	Reference PUBERT	Disponibile / Available	DESIGNATION - DESCRIPTION	QTY
E03-1	13300-Z530210-0000	000 121 0005	Yes	CRANKSHAFT ASSY.	1

FIG.5 RING SET,OIL / ROD,CRANKSHAFT CONNETING (E03)

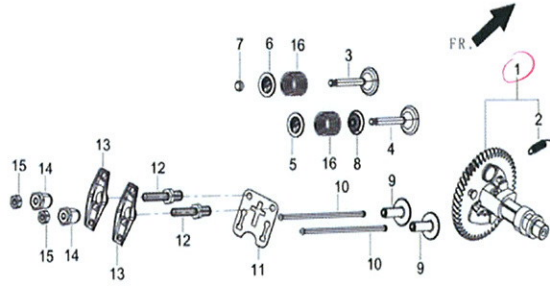


REF.N	Reference Externe - External reference	Reference PUBERT	Disponibile / Available	DESIGNATION - DESCRIPTION	QTY
E04-2	13122-Z010110-0000	000 118 0014	Yes	CLIP, PISTON PIN	2
E04-3	13111-Z140110-0000	000 121 0106	Yes	PISTON	1
E04-4	13121-Z010110-0000	000 118 0011	Yes	PIN, PISTON	1
E04-5	13010-Z440110-0000	000 118 0012	Yes.	ROD, CONNECTING	1
E04-7	13201-Z140110-0000			RING, THE FIRST	1
E04-8	13202-Z140110-0000			RING, THE SECON	1
E04-9	13210-Z140110-0000			RING SET, OIL	1

1
1 set.

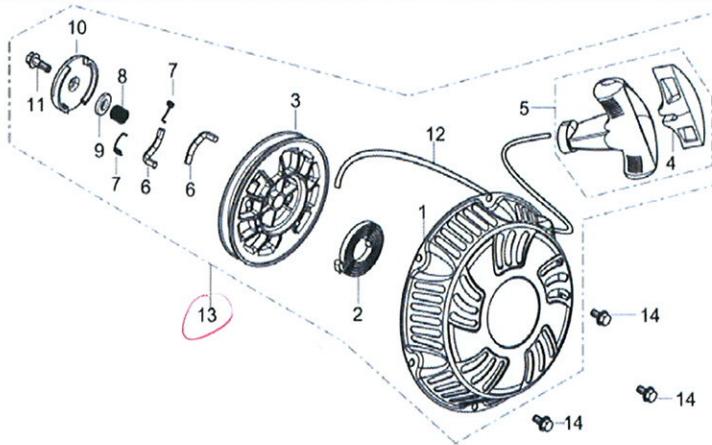
000 121 0107 Yes

FIG.6 TRAIN,VALVE / CAMSHAFT SUBASSEMBLY (E05)



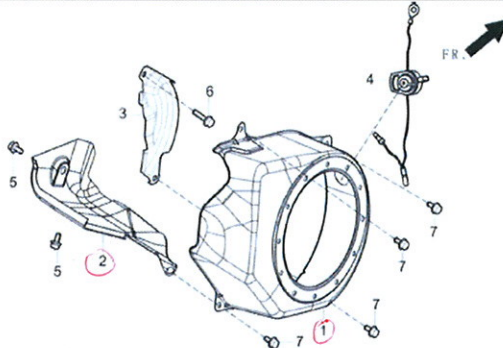
REF.NO	Reference Externe - External reference	Reference PUBERT	Disponible / Available	DESIGNATION - DESCRIPTION	QTY
E04-1	14200-Z440110-0000	000118 0040 .	Yes.	CAMSHAFT ASSY.	1
E04-3	12121-Z010110-0000			VALVE, EXHAUST	1
E04-4	12111-Z010110-0000	000106 0077 .	Yes	VALVE, INTAKE	1
E04-5	12112-Z010110-0000	000109 0041	Yes	SEAT, VALVE SPRING	1
E04-6	12107-Z010110-0000	000106 0078 .	Yes	RETAINER , EXHAUST VALVE	1
E04-7	12104-Z010110-0000	9501 000862	Yes.	ROTATOR, VALVE	1
E04-8	12101-Z010110-0000	000118 0048 .	Yes	GUIDE, SEAL	1
E04-9	14081-Z440110-0000			TAPPET, VALVE	2
E04-10	14071-Z440110-0000			LIFTER, VALVE	2
E04-11	14090-Z010110-0000			PLATE SUBASSEMBLY, LIFTER STOPPER	1
E04-12	14313-Z010110-0000			BOLT, VALVE ADJUSTING	2
E04-13	14311-Z010110-0000			ROCKER, VALVE	2
E04-14	14314-Z010110-0000			NUT, VALVE ADJUSTING	2
E04-15	14312-Z010110-0000			NUT, VALVE LOCK	2
E04-16	12103-Z010110-0000			SPRING, VALVE	2

FIG.7 STARTER,RECOIL (E08)



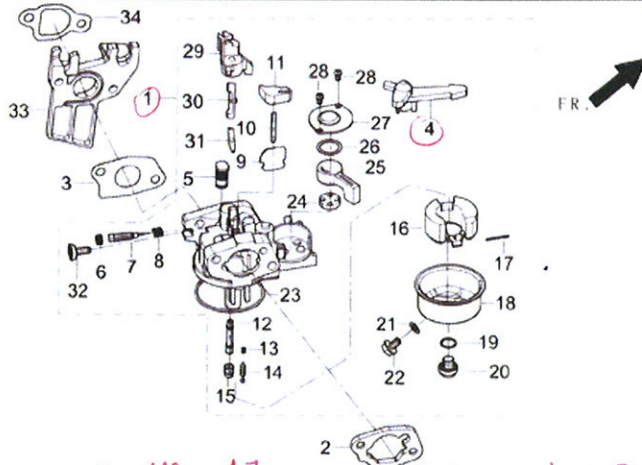
REF.NO	Reference Externe - External reference	Reference PUBERT	Disponible / Available	DESIGNATION - DESCRIPTION	QTY
E08-13	28200-Z440110-H300	000121 0010	Yes.	STARTER ASSY, RECOIL	1
E08-14	90001-0608-01			BOLT	4

FIG.8 SHROUD / SHIELD,LOWER (E14)



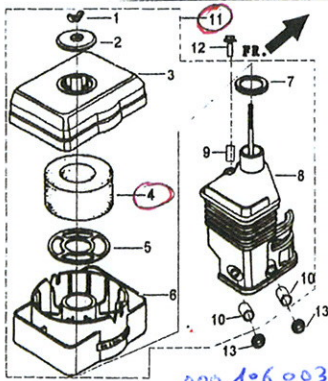
REF.NO	Reference Externe - External reference	Reference PUBERT	Disponible / Available	DESIGNATION - DESCRIPTION	QTY
E14-1	28110-Z010410-H300	000121 0011 .	Yes	SHROUD	1
E14-2	19304-Z010110-0000	000118 0013	Yes.	SHROUD, CYLINDER BODY	1
E14-3	19340-Z010120-0000			SHIELD,LOWER	1
E14-4	35540-Z010220-QG00			SWITCH SUBASSEMBLY, STOP ENGINE	1
F14-7	90001-0612-01			BOLT	4
F14-9	90001-0610-01			BOLT	2
F14-10	90001-0616-01			BOLT	1

FIG.9 CARBURETOR ASSY. (E11)



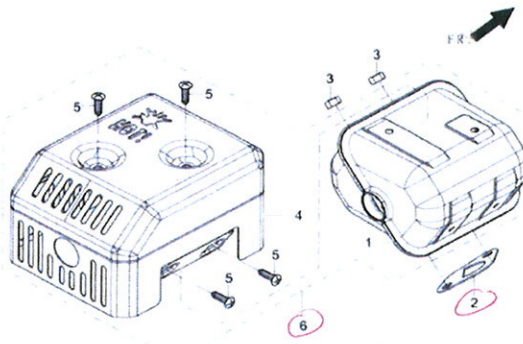
REF.NO	Reference Externe - External reference	Reference PUBERT	Disponible / Available	DESIGNATION - DESCRIPTION	QTY
E11-1	16100-Z530210-0000	0001180020	Yes	CARBURETOR ASSY.	1
E11-2	17001-Z010210-0000	0001180021	Yes	GASKET, AIR CLEANER	1
E11-3	16001-Z010110-0000	0001180022	Yes	GASKET, CARBURETOR	1
E11-33	16003-Z010110-0000	0001180023	Yes	PLATE, CARBURETOR INSULATOR	1
E11-34	16002-Z050110-0000	0001180024	Yes	GASKET, CARBURETOR INSULATOR	1

FIG.10 CLEANER, AIR (F02)



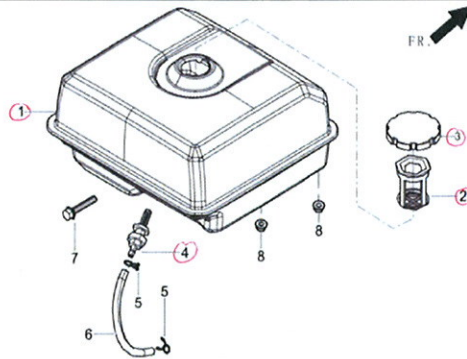
REF.NO.	PART NO	DESCRIPTION	Reference Pubert	Disponible Available	Qty
F02-4	17151-Z010310-0000	ELEMENT, AIR CLEANER	0001060034	Yes	1
F02-11	17100-Z010410-0000	CLEANER, AIR Assy.	0001210117	Yes	1
F02-12	90001-0625-01	BOLT			
F02-13	90305-0600-31	NUT			

FIG.11 MUFFLER ASSY. (F04)



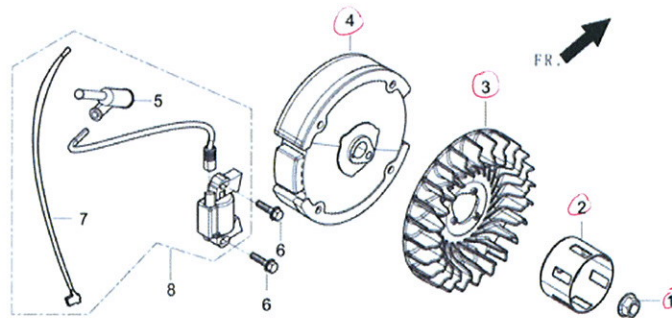
REF.NO	Reference Externe - External reference	Reference PUBERT	Disponible / Available	DESIGNATION - DESCRIPTION	QTY
F04-2	18001-Z440110-0000	0001180004	Yes	GASKET, EXHAUST OUTLET	1
F04-3	90303-0800-31			NUT	2
F04-6	18100-Z440310-0002	0001210020	Yes	MUFFLER ASSY.	1

FIG.12 TANK ASSY, FUEL (F01)



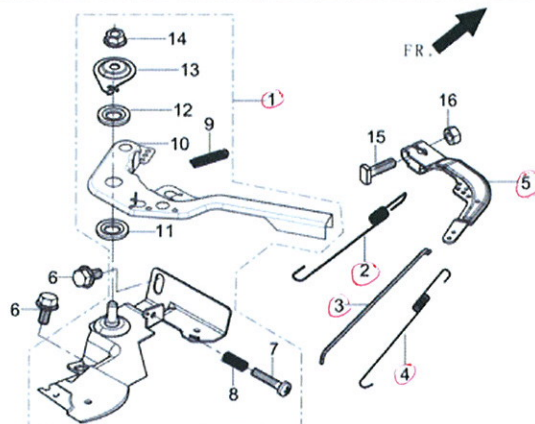
REF.NO	Reference Externe - External reference	Reference PUBERT	Disponible / Available	DESIGNATION - DESCRIPTION	QTY
F01-1	16620-Z300110-H300	0001210009	Yes.	TANK, FUEL	1
F01-2	16652-Z010110-0000	0001180039	Yes	STRAINER , FUEL	1
F01-3	16730-Z300120-0000	0001180037	Yes.	COVER, FUEL TANK	1
F01-4	16680-Z010110-0000	0001180036	Yes.	OUTLET SUBASSEMBLY, FUEL TANK OIL	1
F01-5	90740-Z010210-0000			COLLAR	2
F01-6	90686-Z010710-0000			TUBE, FUEL	1
F01-7	90001-0630-01			BOLT	1
F01-8	90305-0600-31			NUT	2

FIG.13 FLYWHEEL / IMPELLER / STARTER PULLEY / IGNITION COIL (E15)



REF.NO	Reference Externe - External reference	Reference PUBERT	Disponible / Available	DESIGNATION - DESCRIPTION	QTY
E15-1	13501-Z010110-0000	0001180029	Yes	NUT, FLYWHEEL	1
E15-2	28002-Z260210-0000			PULLEY, STARTER	1
E15-3	19352-Z440110-0000			IMPELLER	1
E15-4	13510-Z440110-0000			FLYWHEEL SUBASSEMBLY	1
E15-6	90001-0625-01			BOLT	2
E15-8	30400-Z440110-0000	0001180025	Yes.	COIL, IGNITION	1

FIG.14 CONTROL ASSY, THROTTLE (E13)



REF.NO	Reference Externe - External reference	Reference PUBERT	Disponible / Available	DESIGNATION - DESCRIPTION	QTY
E13-1	16520-Z010420-0000	0001180045	Yes	CONTROL ASSY, THROTTLE	1
E13-2	16063-Z010110-0000	0001060023	Yes.	SPRING, GOVERNOR	1
E13-3	16062-Z010110-0000	0001180032	Yes.	ROD, GOVERNOR	1
E13-4	16012-Z010110-0000	0001000822	Yes.	SPRING, THROTTLE VALVE RETURNING	1
E13-5	16070-Z010110-0000	0001180046	Yes	SUPPORT SUBASSEMBLY, GOVERNOR	1
E13-6	90001-0610-01			BOLT	2
E13-15	16072-Z010110-0000			BOLT, GOVERNOR SUPPORT	1
E13-16	90305-0600-31			NUT	1