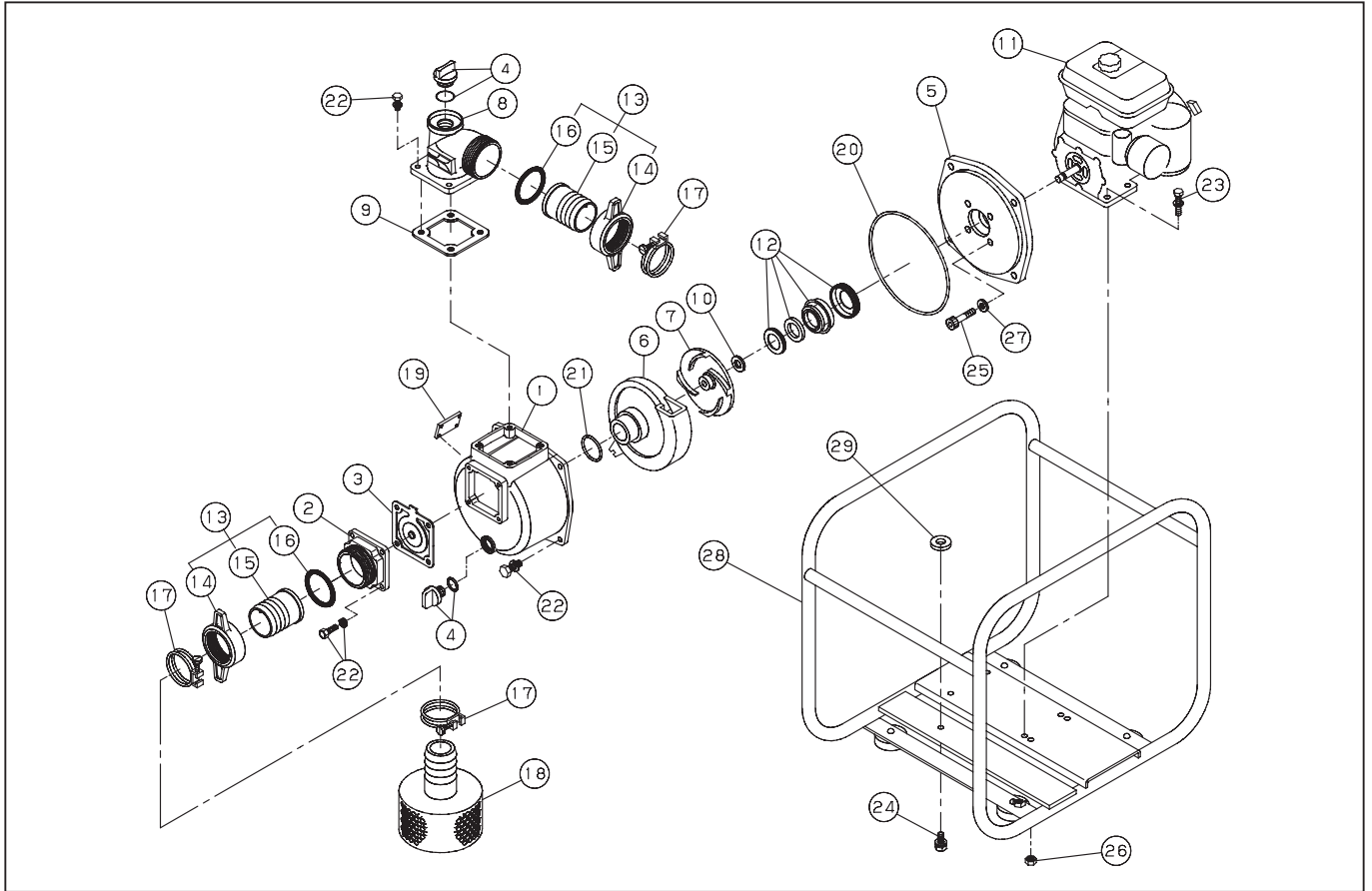


**SE-100EX**

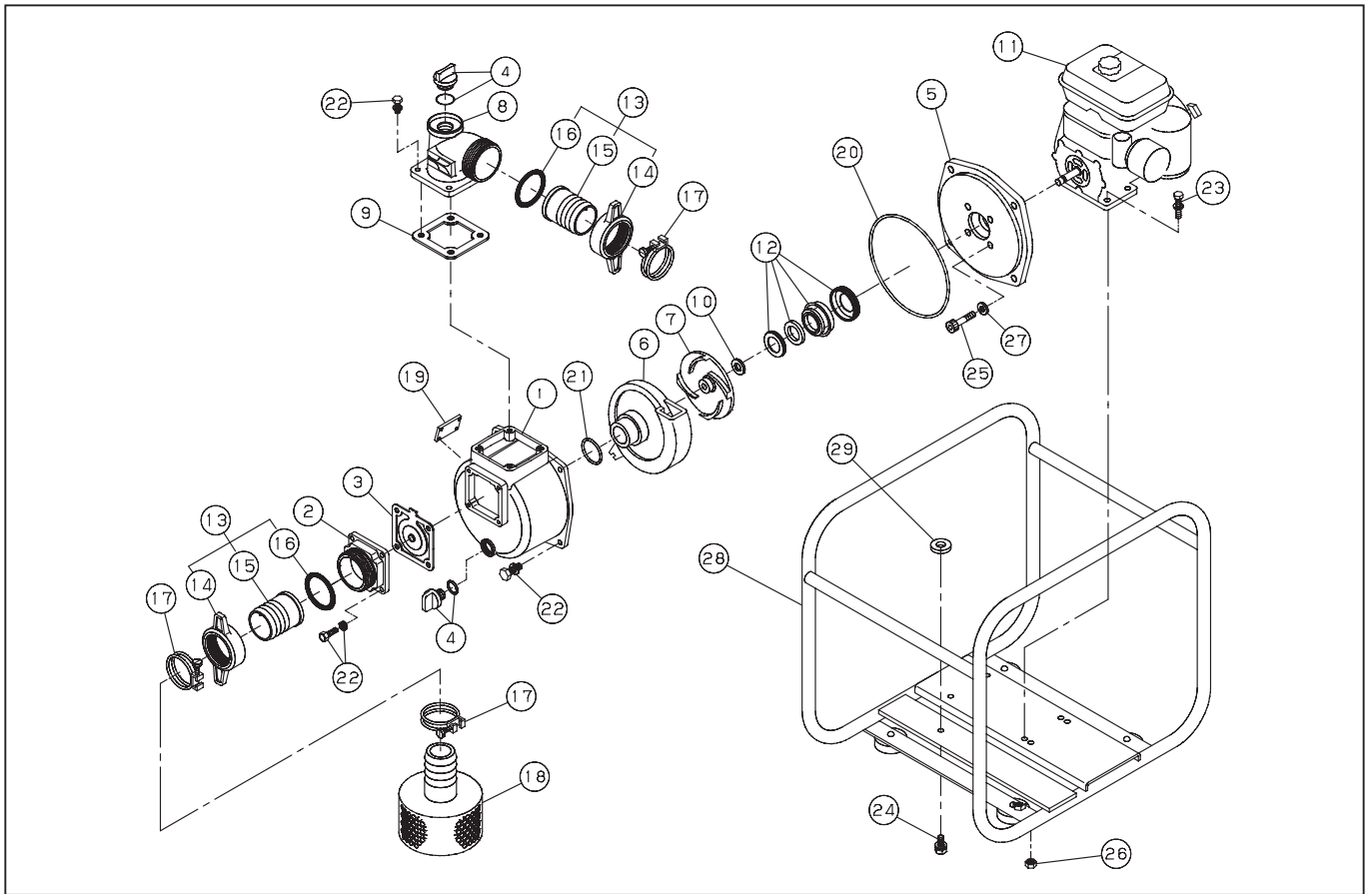


DWG No. 012901303 MODEL:SE-100EX FORM:SE-100EX-BAA-0 (EX27)

No.	PARTS CODE	PARTS NAME	QTY	MATERIAL	SIZE	REMARKS
1	011569101	PUMP CASING	1	ADC		
2	011618801	SUCTION FLANGE	1			
3	011736301	CHECK VALVE	1			
4	011807901	25A PLUG SET	2			
5	011576301	FLANGE BRACKET	1	ADC		
6	011071705	VOLUTE CASING	1	FC-20		
7	011566401	IMPELLER	1	FC-20		
8	011618701	DELIVERY FLANGE	1	ADC		
9	011075002	FLANGE PACKING	1	CR		
10	011008101	IMPELLER ADJUSTING WASHER	3		T0.3	
11	012076403	ENGINE	1			
12	011576401	MECHANICAL SEAL	1		EH791-025	
13	011763902	COUPLING SET	2			
14	011618902	COUPLING	2			
15	011047104	HOSE NIPPLE	2			
16	011147801	COUPLING PACKING	2	NBR		
17	940019120	HOSE BAND	3		φ 120	
18	011121702	STRAINER SET	1	SPC		
19	012084801	NAME PLATE	1			
20	890455080	O-RING	1	NBR	1516-80	
21	889855090	O-RING	1	NBR	P90	
22	743119080	HEXAGON BOLT	12	SWRM	M12X35	
23	743119067	HEXAGON BOLT	4	SWRM	M10X40	
24	743119043	HEXAGON BOLT	1		M8X16	
25	734532078	HEXAGON SOCKET BOLT	4	SCM	M8X70	
26	827419010	HEXAGON NUT	4	SWRM	M10	
27	854255008	SEAL WASHER	5		φ 8	
28	011751904	BASE SET	1	NO.328		
29	011051502	CUSHION RUBBER	4	F-23		
	012816601	OPERATION MANUAL SET	1			

◆ Bare engine can not be supplied

# SE-100EX



DWG No. 012901303 MODEL:SE-100EX FORM:SE-100EX-BAA-0 (EX27)

No.	PARTS CODE	PARTS NAME	QTY	MATERIAL	SIZE	REMARKS
	012084901	PACKING CASE	1			

◆ Bare engine can not be supplied