

FIG.1 CRANKCASE. / GEAR ASSY, GOVERNOR.			
NO	ART	NAME	QTY
E01-1	US210-00001	CRANKCASE SUBASSEMBLY.	1
E01-2	US210-00002	SEAL, OIL	1
E01-3	US210-00041	TUBE, OIL DRAIN	1
E01-4	US210-00042	FLAT WASHER - GRADE A	1
E01-5	US210-00043	BOLT, DRAIN PLUG	1
E01-6	US210-00044	SUPPORT SUBASSEMBLY, CONTROL BOX	1
E01-7	US210-00045	HEXAGON SOCKET FLANGE FACE BOLT - SMALL SERIES	3
E01-8	US210-00046	WIRE CLIP	1
E01-9	US210-00047	ARM, GOVERNOR	1
E01-10	US210-00048	FLAT WASHER	1
E01-11	US210-00049	COTTER PIN	1
E01-12	US210-00010	GEAR ASSY, GOVERNOR	1
E01-13	US210-00003	DEEP GROOVE BALL BEARING	1
E01-14	U210-00109	SENSOR, ENGINE OIL	1
E01-15	US210-00051	BOLT	2
E01-16	US210-00052	HEXAGON NUT WITH FLANGE	1
E01-17	U210-00124	PROTECTOR, OIL	1

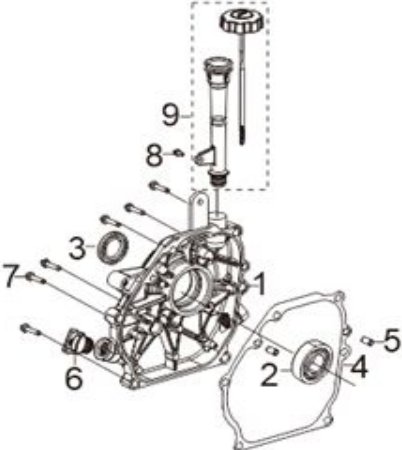


FIG.2 COVER SUBASSEMBLY, CRANKCASE			
NO	ART	NAME	QTY
E02-1	US210-00054	COVER, CRANKCASE	1
E02-2	US210-00003	DEEP GROOVE BALL BEARING	1
E02-3	US210-00002	SEAL, OIL	1
E02-4	US210-00004	GASKET, CRANKCASE	1
E02-5	UG930-00021	POSITION PIN	2
E02-6	US210-00006	PLUG SUBASSEMBLY, ENGINE OIL	1
E02-7	US210-00056	HEXAGON SOCKET FLANGE FACE BOLT - SMALL SERIES	6
E02-8	US210-00057	HEXAGON SOCKET FLANGE FACE BOLT - SMALL SERIES	1
E02-9	US210-00005	DIPSTICK SUBASSEMBLY, OIL	1

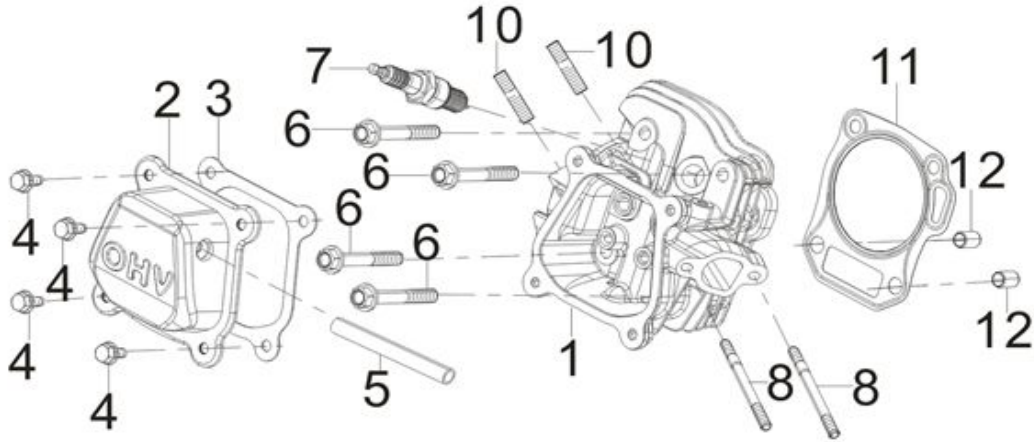


FIG.3 HEAD SUBASSEMBLY, CYLINDER / PLUG,SPARK			
NO	ART	NAME	QTY
E03-1	US210-00058	HEAD SUBASSEMBLY, CYLINDER	1
E03-2	US210-00059	COVER SUBASSEMBLY, CYLINDER HEAD	1
E03-3	US210-00007	CYLINDER HEAD COVER GASKET	1
E03-4	US210-00045	HEXAGON SOCKET FLANGE FACE BOLT - SMALL SERIES	4
E03-5	US210-00061	TUBE, BREATHER	1
E03-6	US210-00062	CYLINDER HEAD BOLT	4
E03-7	UG390-00037	PLUG, SPARK	1
E03-8	US210-00064	STUD BOLT	2
E03-10	US210-00065	STUD BOLT (BM=1.5D)	2
E03-11	US210-00008	GASKET, CYLINDER HEAD	1
E03-12	US210-00066	POSITION PIN	2

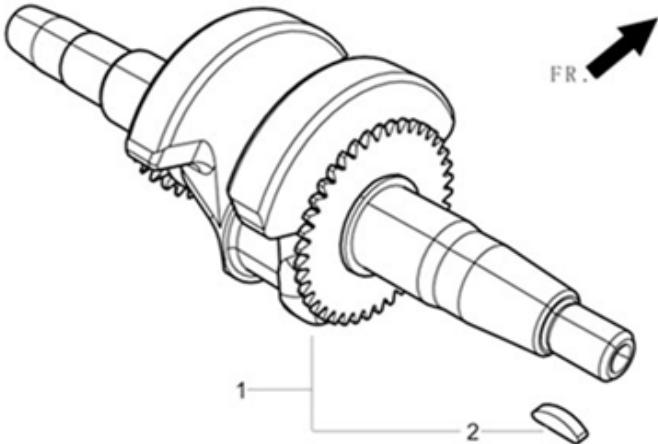


FIG.4 ROD,CRANKSHAFT CONNETING			
NO	ART	NAME	QTY
E04-1	US210-00009	CRANKSHAFT ASSY.	1

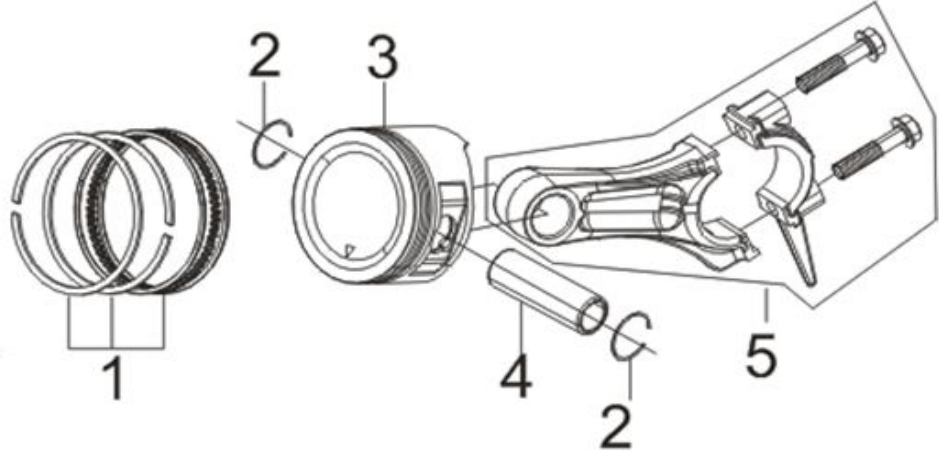


FIG.5 RING SET,OIL / ROD,CRANKSHAFT CONNETING			
NO	ART	NAME	QTY
E05-1	US210-00011	RING ASSY, PISTON	1
E05-2	US210-00013	CLIP, PISTON PIN	2
E05-3	US210-00012	PISTON	1
E05-4	US210-00014	PIN, PISTON	1
E05-5	US210-00015	ROD, CONNECTING	1

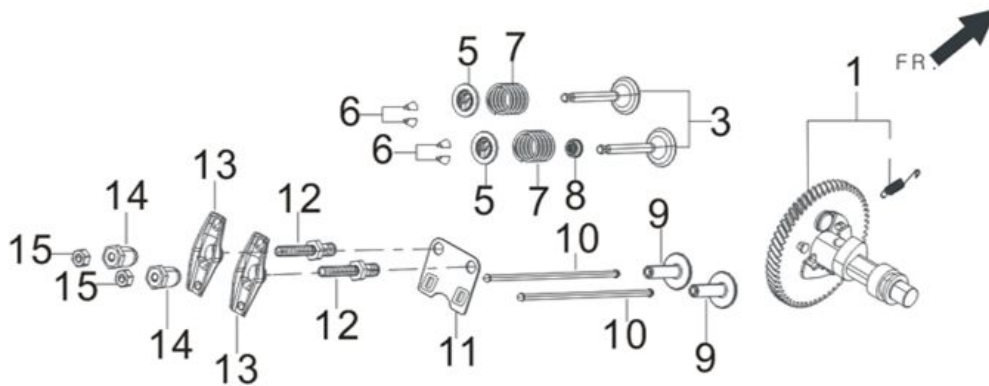


FIG.6 TRAIN,VALVE / CAMSHAFT SUBASSEMBLY			
NO	ART	NAME	QTY
E06-1	US210-00016	CAMSHAFT ASSY.	1
E06-3	US210-00017	VALVES SET	1
E06-5	US210-00018	SEAT, VALVE SPRING	2
E06-6	US210-00019	CLAMP, VALVE LOCK	4
E06-7	US210-00020	SPRING, VALVE	2
E06-8	UV170-0036	GUIDE, SEAL	1
E06-9	US210-00021	TAPPET, VALVE	2
E06-10	US210-00022	LIFTER, VALVE	2
E06-11	US210-00068	PLATE SUBASSEMBLY, LIFTER STOPPER	1
E06-12	UG390-00056	ROCKSHAFT BOLT	2
E06-13	US210-00070	ROCKER, VALVE	2
E06-14	UG390-00058	NUT, VALVE ADJUSTING	2
E06-15	UG390-00059	NUT, VALVE LOCK	2



FIG.7 STARTER,RECOIL			
NO	ART	NAME	QTY
E07-1	US210-00023	STARTER ASSY, RECOIL	1
E07-2	US210-00073	HEXAGON SOCKET FLANGE FACE BOLT - SMALL SERIES	3

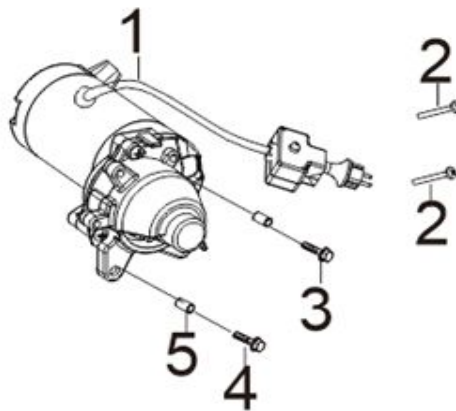


FIG.8 START-UP ELECTRIC MACHINE COMPONENTS			
NO	ART	NAME	QTY
E08-1	US210-00024	STARTING MOTOR ASSEMBLY	1
E08-2	US210-00074	CROSS-RECESSED PAN HEAD SCREW	2
E08-3	US210-00075	HEXAGON SOCKET FLANGE FACE BOLT - SMALL SERIES	1
E08-4	US210-00076	HEXAGON SOCKET FLANGE FACE BOLT - SMALL SERIES	1
E08-5	US210-00077	POSITION PIN	2

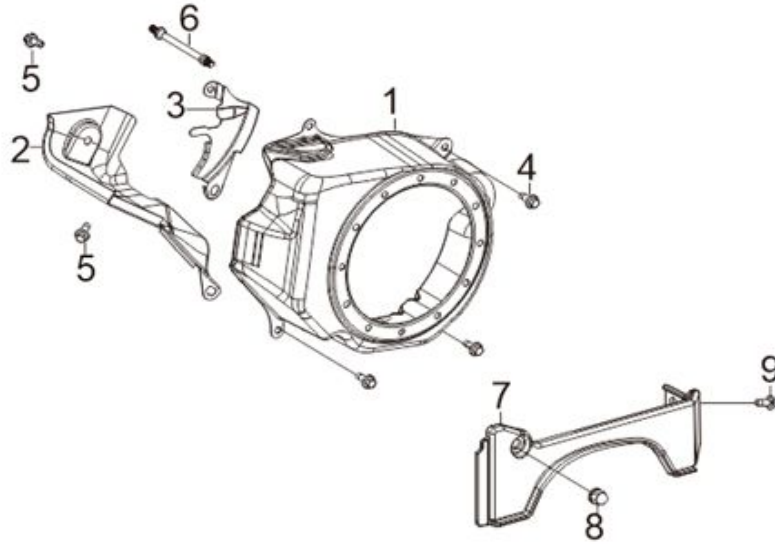


FIG.9 SHROUD / SHIELD,LOWER			
NO	ART	NAME	QTY
E09-1	US210-00078	SHROUD	1
E09-2	US210-00079	SHROUD, CYLINDER BODY	1
E09-3	US210-00080	SHIELD,LOWER	1
E09-4	US210-00081	SCREW	3
E09-5	US210-00082	HEXAGON SOCKET FLANGE FACE BOLT - SMALL SERIES	2
E09-6	US210-00083	STUD BOLT (BM=2D)	1
E09-7	US210-00084	FRONT SNOW GUARD	1
E09-8	US210-00085	ACORN HEXAGON NUTS	1
E09-9	US210-00086	SCREW	1

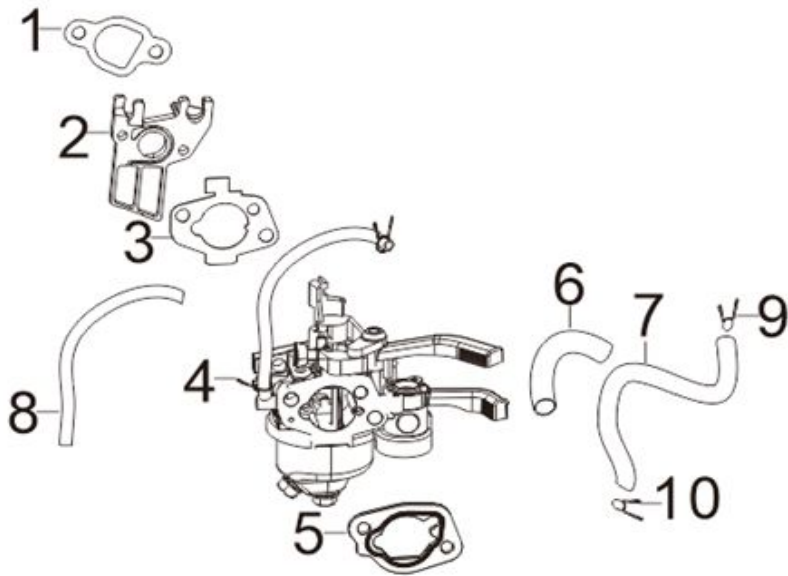


FIG.10 CARBURETOR ASSY.			
NO	ART	NAME	QTY
E10-1	US210-00025	GASKET, CARBURETOR INSULATOR	1
E10-2	US210-00087	PLATE, CARBURETOR INSULATOR	1
E10-3	US210-00026	CARBURETOR SEAL GASKET	1
E10-4	US210-00027	CARBURETOR ASSY.	1
E10-5	US210-00028	AIR CLEANER SEAL GASKET	1
E10-6	U210-00148	JACKET, RUBBER	1
E10-7	US210-00029	TUBE, FUEL	1
E10-8	US210-00030	STARTING RICHED VALVE TUBE PROTECTING BUSH	1
E10-9	US210-00089	COLLAR	1
E10-10	US210-00090	COLLAR	1

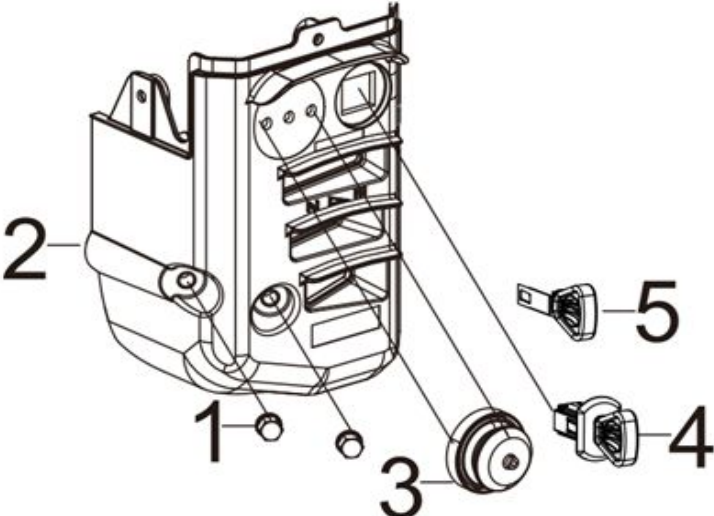


FIG.11 CLEANER, AIR			
NO	ART	NAME	QTY
F01-1	US210-00091	ACORN HEXAGON NUTS	2
F01-2	US210-00092	AIR CLEANER	1
F01-3	US210-00113	VALVE, STARTING RICHED	1
F01-4	US210-00114	SWITCH SUBASSEMBLY, STOP ENGINE	1
F01-5	US210-00115	KEY, STOP ENGINE SWITCH	1

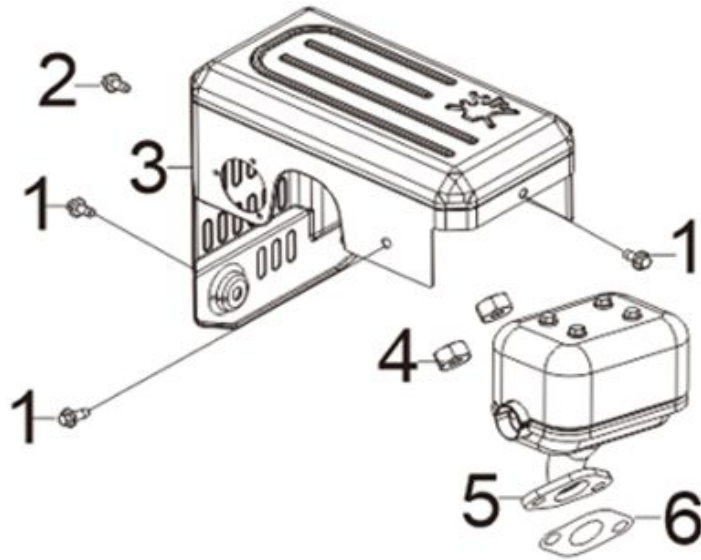


FIG.12 MUFFLER ASSY.

NO	ART	NAME	QTY
F02-1	US210-00045	HEXAGON SOCKET FLANGE FACE BOLT - SMALL SERIES	3
F02-2	US210-00094	HEXAGON SOCKET FLANGE FACE BOLT - SMALL SERIES	1
F02-3	US210-00095	COVER, SCALD RESISTANT	1
F02-4	US210-00096	TYPE 1 HEXAGON NUT	2
F02-5	US210-00031	MUFFLER ASSY.	1
F02-6	US210-00032	GASKET, EXHAUST OUTLET	1

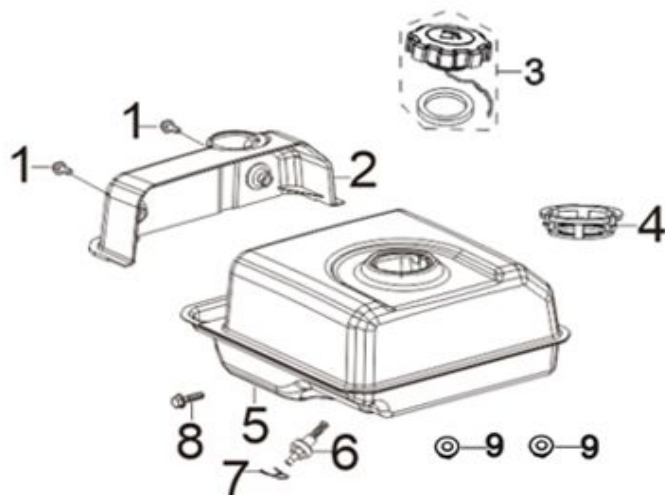


FIG.13 TANK ASSY, FUEL			
NO	ART	NAME	QTY
F03-1	US210-00086	HEXAGON SOCKET FLANGE FACE BOLT - SMALL SERIES	2
F03-2	US210-00098	FUEL TANK DECORATED PLATE	1
F03-3	US210-00116	COVER, FUEL TANK	1
F03-4	US210-00117	FUEL GAUGE	1
F03-5	US210-00033	FUEL TANK	1
F03-6	US210-00034	OUTLET SUBASSEMBLY, FUEL TANK OIL	1
F03-7	US210-00089	COLLAR	1
F03-8	US210-00100	HEXAGON SOCKET FLANGE FACE BOLT - SMALL SERIES	1
F03-9	US210-00101	HEXAGON NUT WITH FLANGE	2

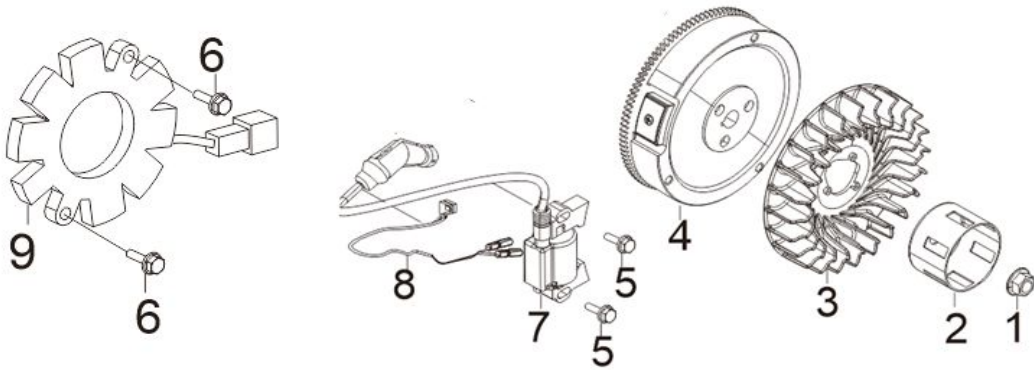


FIG.14 FLYWHEEL / IMPELLER / STARTER PULLEY / IGNITION			
NO	ART	NAME	QTY
E10-1	UV170-0068	NUT, FLYWHEEL	1
E10-2	US210-00103	PULLEY,STARTER	1
E10-3	US210-00035	IMPELLER	1
E10-4	US210-00104	FLYWHEEL SUBASSEMBLY	1
E10-5	US210-00076	HEXAGON SOCKET FLANGE FACE BOLT - SMALL SERIES	2
E10-6	US210-00076	HEXAGON SOCKET FLANGE FACE BOLT - SMALL SERIES	2
E10-7	US210-00036	COIL, IGNITION	1
E10-8	US210-00107	WIRE, IGNITION COIL STOP ENGINE	1
E10-9	US210-00037	CHARGE COIL	1

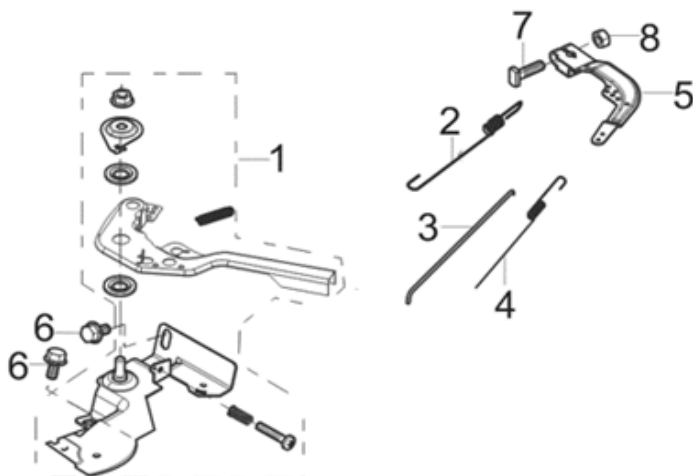


FIG.15 CONTROL ASSY, THROTTLE			
NO	ART	NAME	QTY
E11-1	US210-00108	CONTROL ASSY, THROTTLE	1
E11-2	US210-00038	SPRING, GOVERNOR	1
E11-3	US210-00039	ROD, GOVERNEOR	1
E11-4	US210-00040	SPRING, THROTTLE VALVE RETURNING	1
E11-5	US210-00109	GOVERNOR BRACKET SUBASSEMBLY	1
E11-6	US210-00082	HEXAGON SOCKET FLANGE FACE BOLT - SMALL SERIES	2
E11-7	US210-00111	BOLT, GOVERNOR SUPPORT	1
E11-8	US210-00101	HEXAGON NUT WITH FLANGE	1