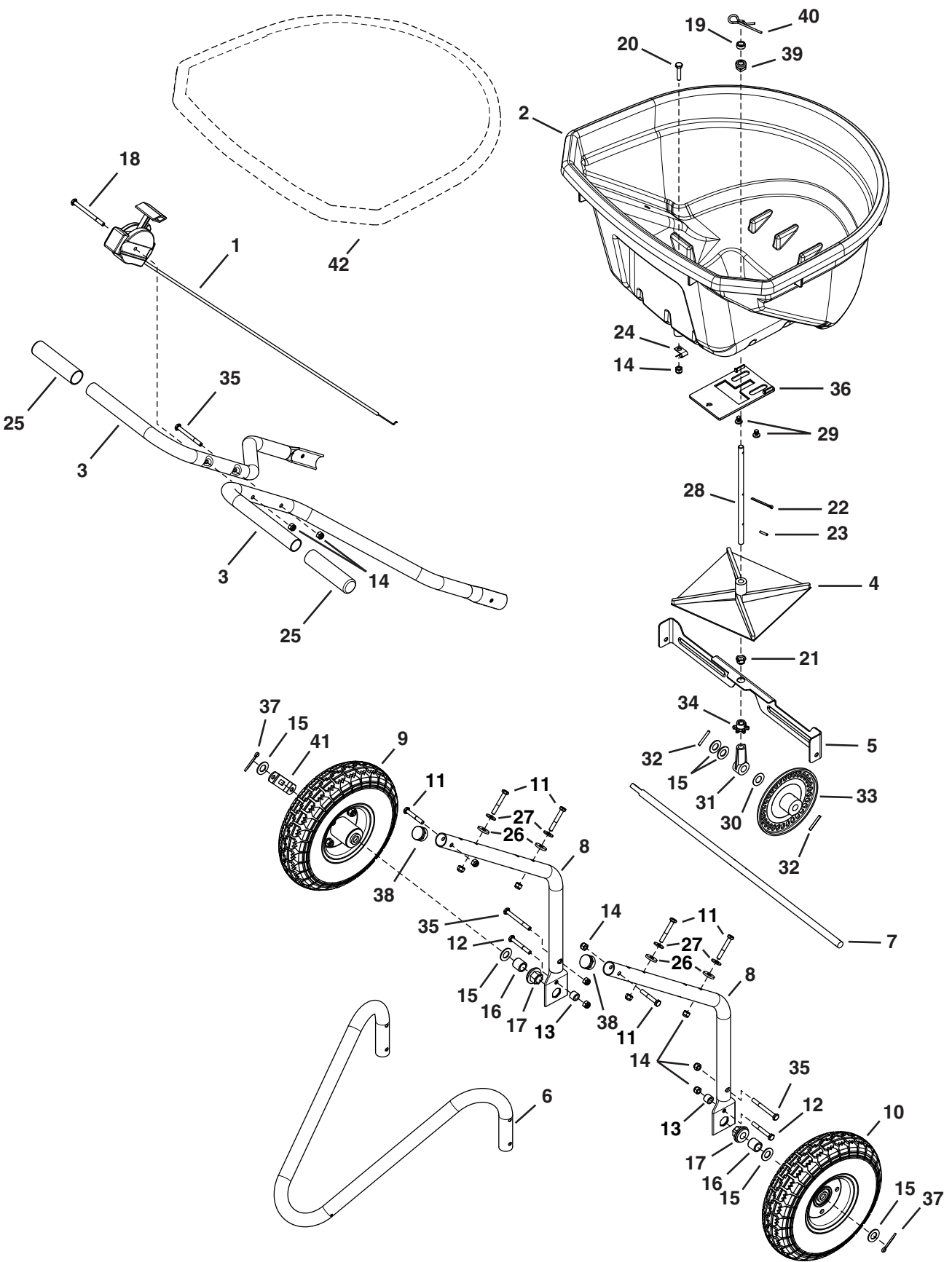


45-0526



45-0526

REF	QTY	PART NO	DESCRIPTION	REF	QTY	PART NO	DESCRIPTION
1	1	45281	Control, Cable	23	1	43850	Pin, Spring 1/8 x 5/8
2	1	45282	Hopper	24	1	41196	Clamp
3	2	41924	Tube, T-Handle	25	2	44482	Grip, Handle
4	1	04367	Spreader Impeller	26	4	1543-69	Washer, Nylon .3281 x .75
5	1	27313	Cross Brace	27	4	43088	Washer, 1/4 Std .312 x .734
6	1	42004	Tube, Stand	28	1	28323	Shaft, Spreader
7	1	28332	Axle	29	2	48402	Plug, 1/4" (Christmas Tree)
8	2	28322	Tube, Hopper	30	1	44137	Washer, .518 x .1 x .02
9	1	48865	Wheel, Drive (includes item #41)	31	1	44672	Bushing, Axle Shaft
10	1	46503	Wheel	32	2	44665	Pin, Spring 5/32 x 1-1/4
11	6	1509-69	Bolt, Hex 1/4-20 x 1-3/4	33	1	62798	Gear, Slotted
12	2	46699	Bolt, Hex 1/4-20 x 2	34	1	44468	Sprocket
13	2	46847	Spacer	35	3	49870	Bolt, Hex 1/4-20 x 2-1/2
14	13	47189	Nut, Hex 1/4-20 Nylock	36	1	45344	Plate, Flow
15	6	R19171616	Washer, .532 x 1 x .059	37	2	43010	Pin, Cotter 1/8" x 1-1/4"
16	2	28324	Spacer, .51 ID x .75 OD x .70	38	2	49449	Plug
17	2	47963	Bearing, Hex Flange	39	1	44285	Bushing, Hopper Bottom Black
18	1	46071	Bolt, Hex 1/4-20 X 3-1/4	40	1	48934	Hairpin, Agitator
19	1	23400	Spacer	41	1	24116	Plate, Drive Wheel
20	1	1509-90	Bolt, Hex 1/4-20 X 1-1/4	42		41316	Hopper Cover (Optional)
21	1	42839	Bushing, 3/8" Plastic		1	45341	Owner's Manual
22	1	43093	Pin, Cotter 1/8 x 1-1/2				