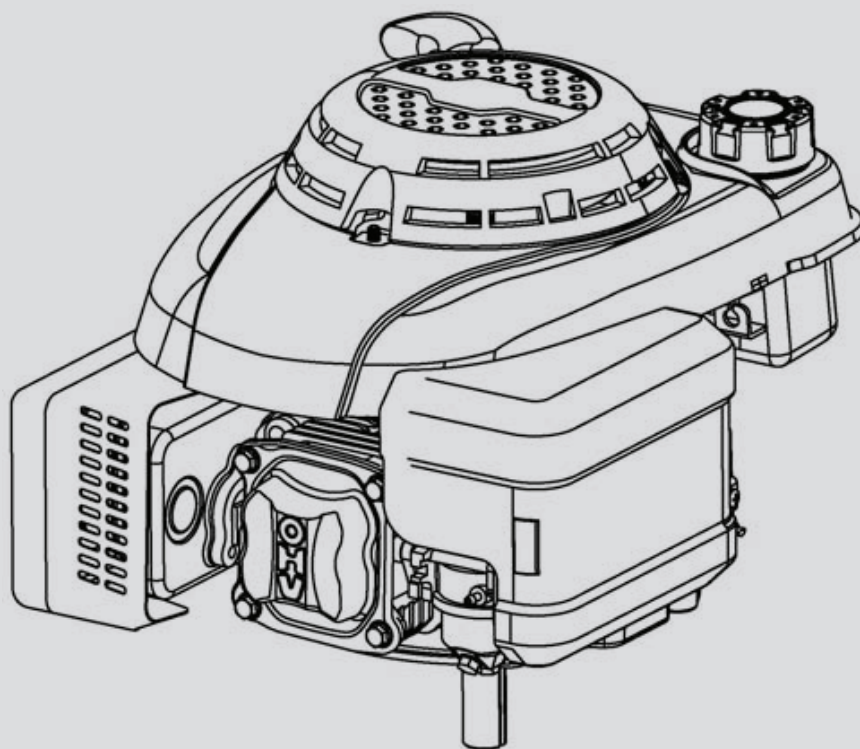


CAIMAN



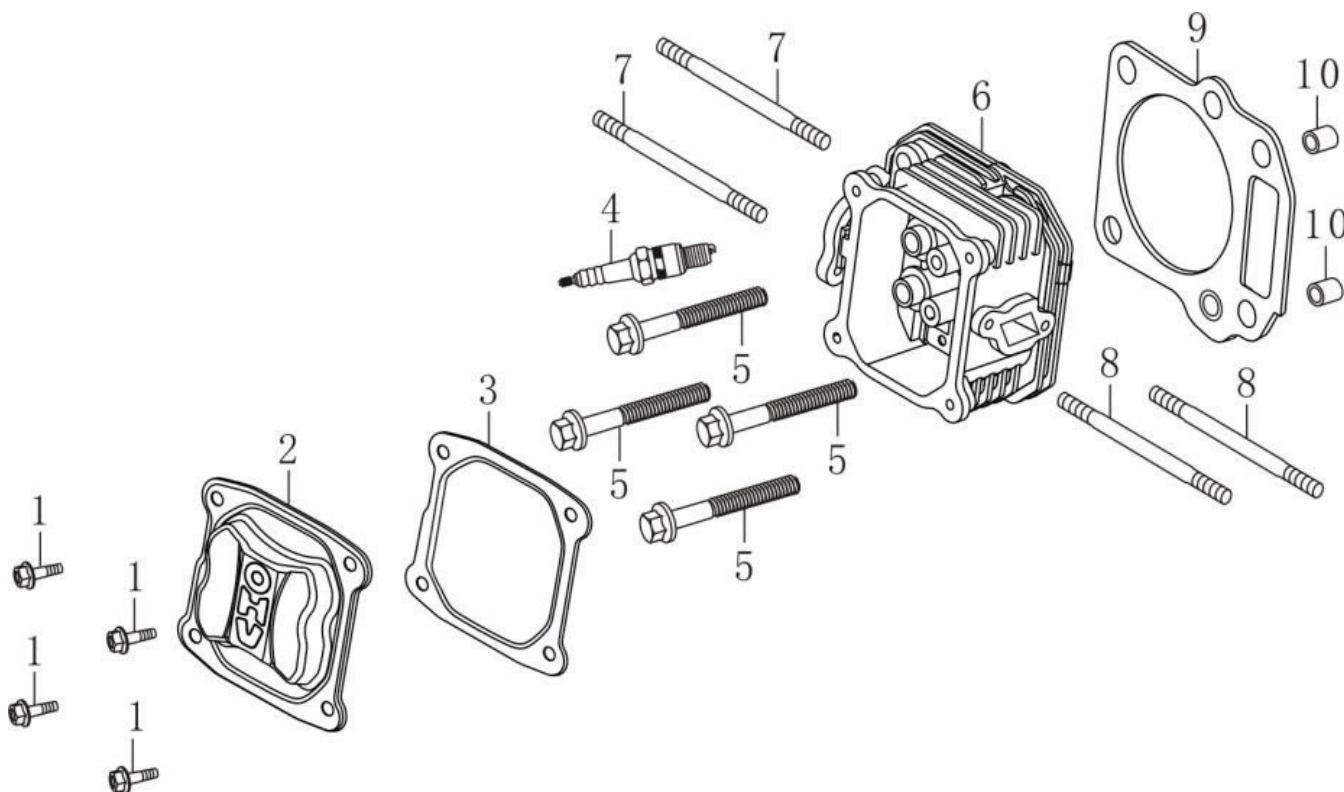
GREEN ENGINE

**4-тактный двигатель
Caiman Green Engine 160CC**



CAIMAN

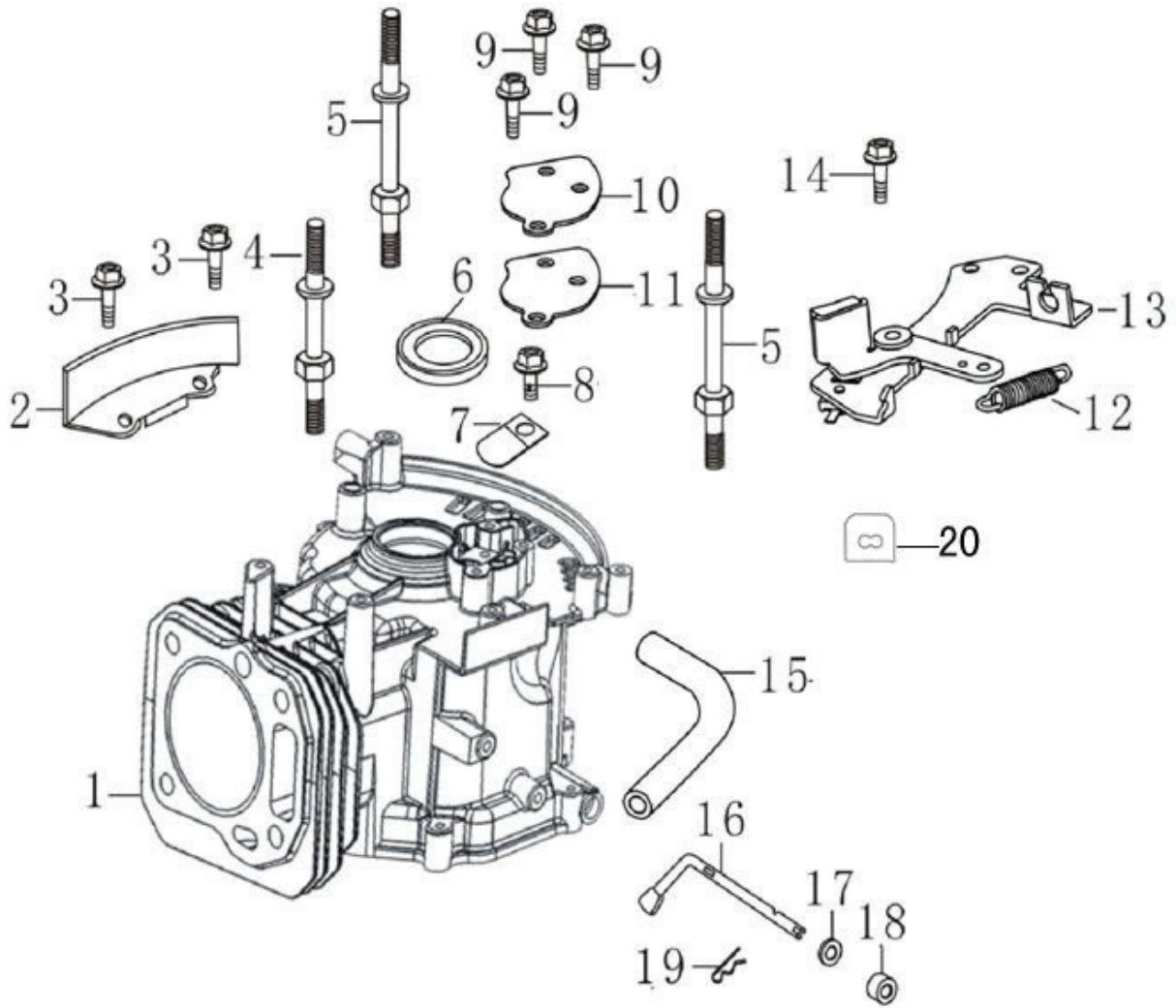
CYLINDER HEAD



N°	Description	Part Number	Qty (UOM)
1	Hexagon bolt with flange	U065-FA001	4
2	Cylinder head cover	U065-FA002	1
3	Gasket for cylinder head cover	U065-FA003	1
4	Spark plug	U065-FA004	1
5	Hexagon bolt with flange	U065-FA005	4
6	Cylinder head	U065-FA006	1
7	Stud	U065-FA007	2
8	Stud	U065-FA008	2
9	Gasket for cylinder head	U065-FA009	1
10	Ocation pin	U065-FA010	2

CAIMAN

CRANK CASE

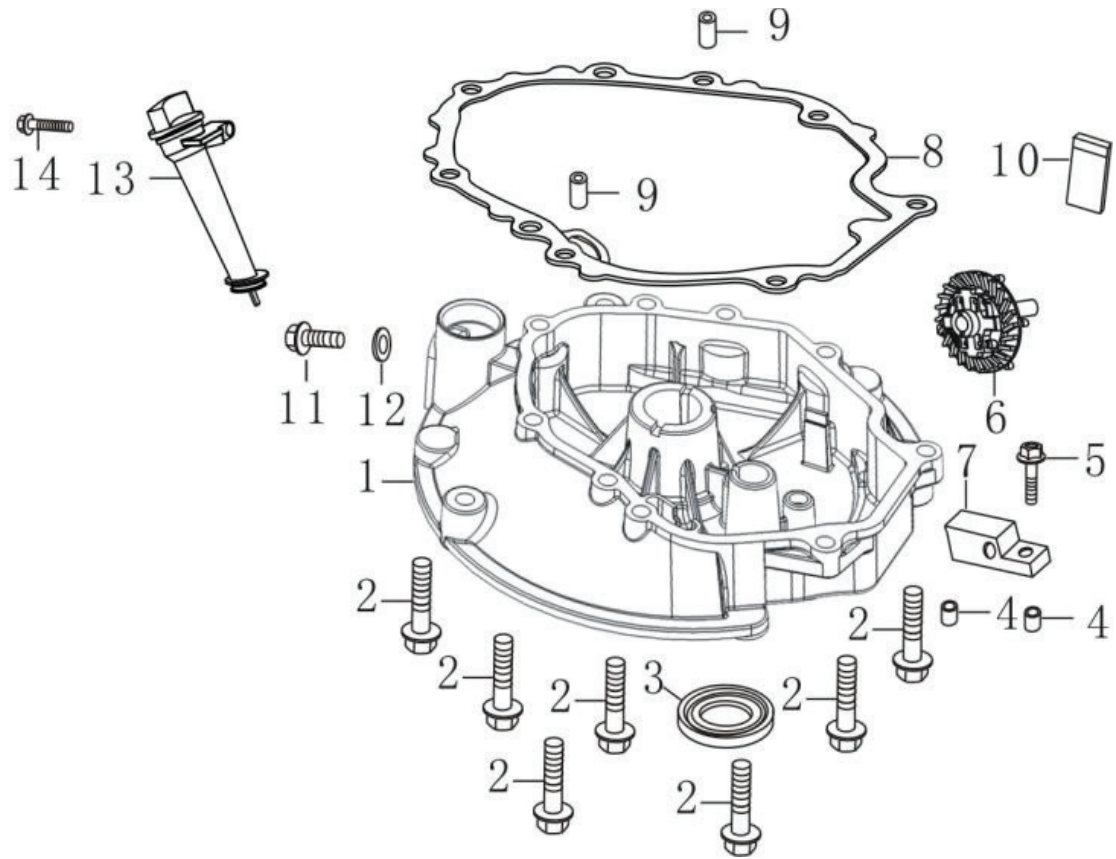


CAIMAN

N°	Description	Part Number	Qty (UOM)
1	Crankcase body	U065-FA011	1
2	Side plate	U065-FA012	1
3	Hexagon bolt with flange	U065-FA013	2
4	Stay stud	U065-FA014	1
5	Stay stud	U065-FA015	2
6	Oil seal	U065-FA016	1
7	Leaf valve	U065-FA017	1
8	Hexagon bolt with flange	U065-FA018	1
9	Hexagon bolt with flange	U065-FA019	3
10	CAP, BREATHER CHAMBER	U065-FA020	1
11	PACKING, BREATHER CHAMBER	U065-FA021	1
12	Tension spring	U065-FA022	1
13	Engine brake	U065-FA023	1
14	Hexagon bolt with flange	U065-FA024	1
15	Breather tube	U065-FA025	1
16	Speed regulating arm	U065-FA026	1
17	Flat washer	U065-FA027	1
18	Oil seal	U065-FA028	1
19	Pin clip	U065-FA029	1
20	Location wire nail	U065-FA030	1

CAIMAN

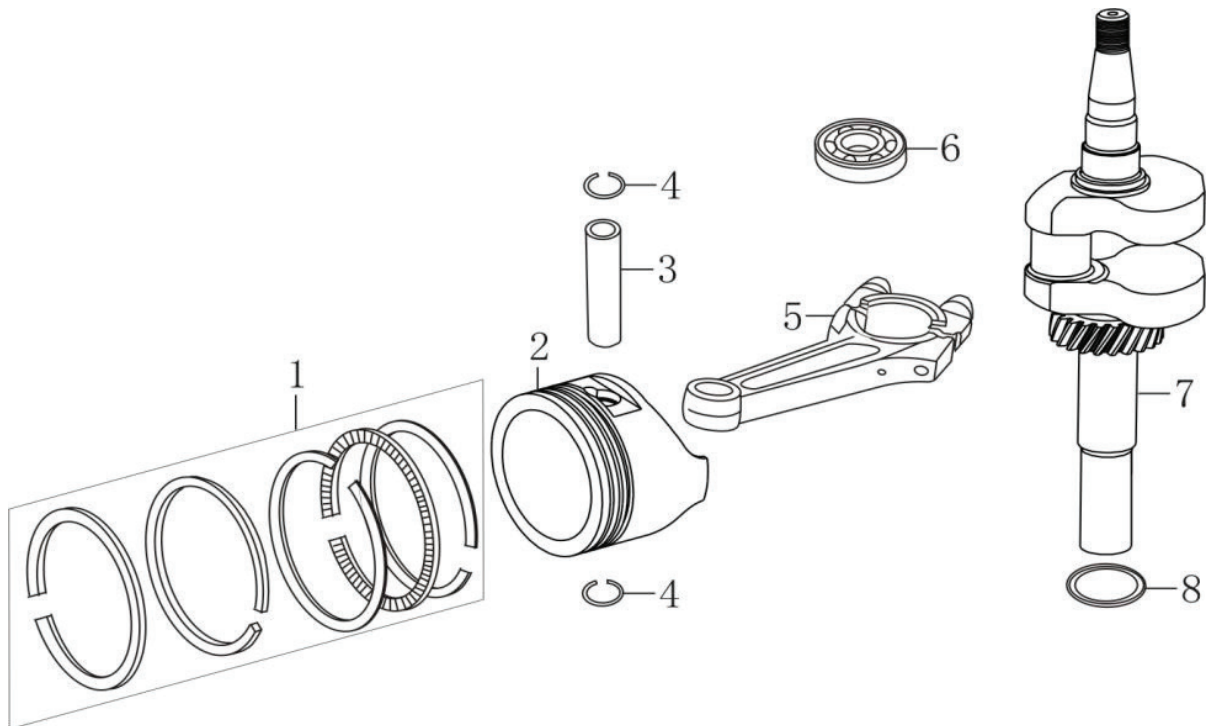
CRANK CASE COVER



N°	Description	Part Number	Qty (UOM)
1	Crankcase cover	U065-FA031	1
2	Hexagon bolt with flange	U065-FA032	7
3	Oil seal	U065-FA033	1
4	Ocation pin	U065-FA034	2
5	Hexagon bolt with flange	U065-FA035	1
6	Components of governor gear	U065-FA036	1
7	Governor gear pressing plate	U065-FA037	1
8	Crankcase cover gasket	U065-FA038	1
9	ocation pin	U065-FA039	2
10	Engine oil return block	U065-FA040	1
11	Sealing plug screw	U065-FA041	1
12	Flat washer	U065-FA042	1
13	Oil rule combination	U065-FA043	1
14	Hexagon bolt with flange	U065-FA044	1

CAIMAN

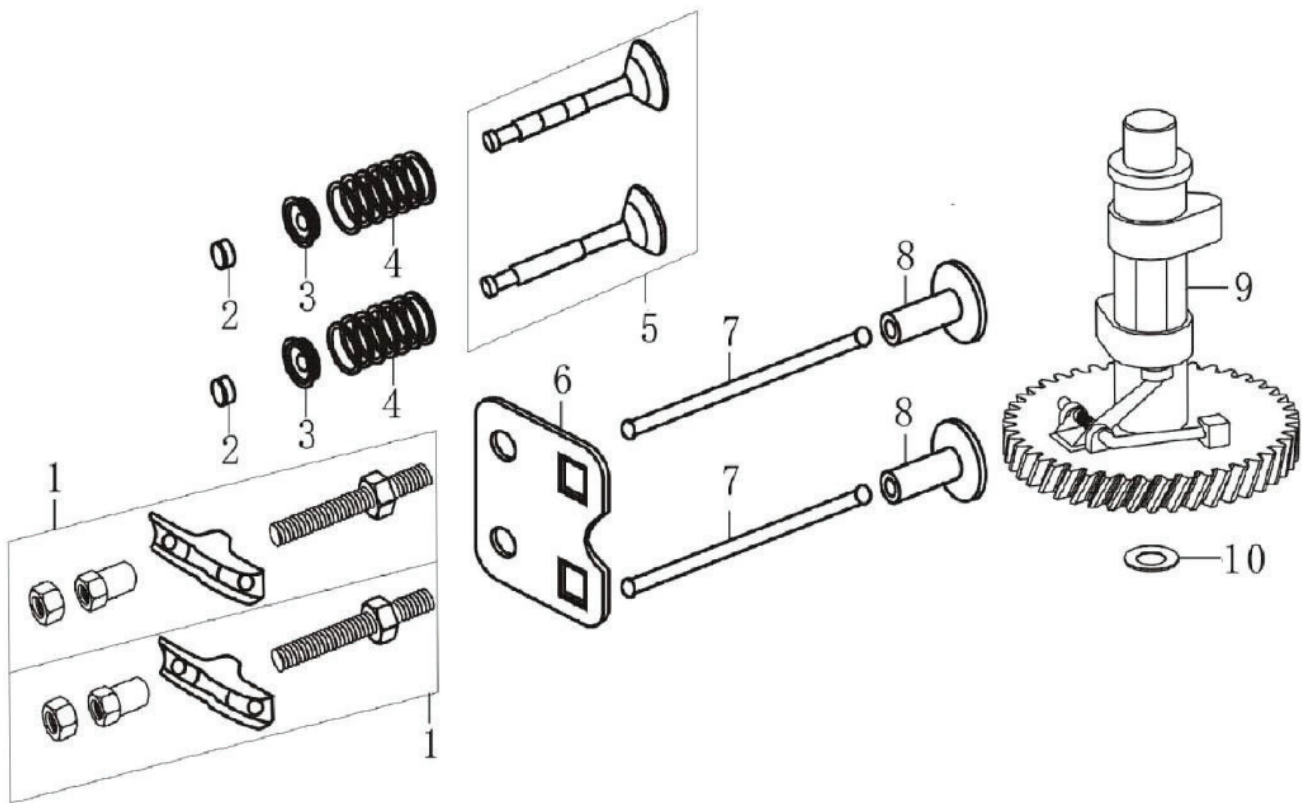
CRANKSHAFT/PISTON



N°	Description	Part Number	Qty (UOM)
1	Piston ring combination	U065-FA045	1
2	Piston	U065-FA046	1
3	Piston pin	U065-FA047	1
4	Steel cable baffle ring	U065-FA048	2
5	Connecting rod	U065-FA049	1
6	Bearing	U065-FA050	1
7	Crankshaft	U065-FA051	1
8	Flat washer	U065-FA052	1

CAIMAN

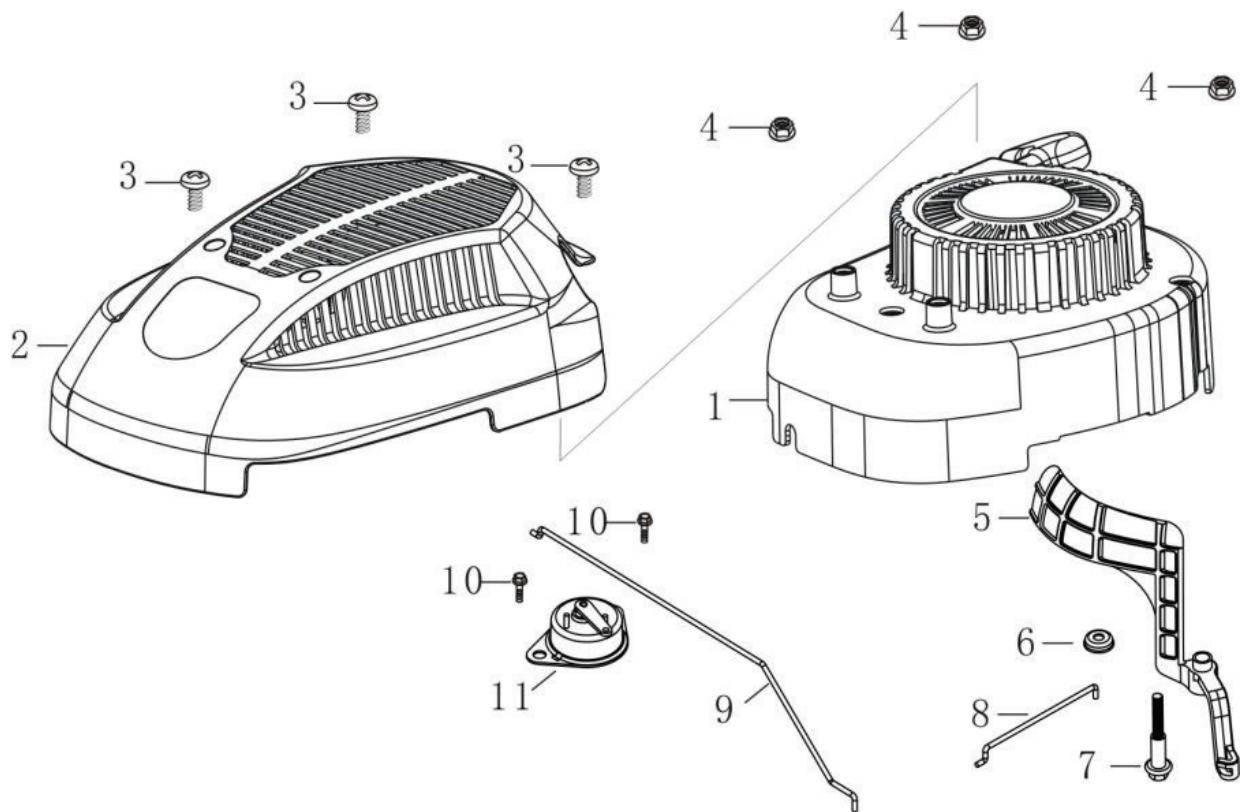
CAMSHAFT



N°	Description	Part Number	Qty (UOM)
1	Valve rocker combination	U065-FA053	2
3	Retainer, valve spring	U065-FA054	2
4	Inner spring of valve	U065-FA055	2
5	Valve Kit	U065-FA056	1
6	Plate, push rod guide	U065-FA057	1
7	Push rod	U065-FA058	2
8	Lifter, Valve	U065-FA059	2
9	Camshaft assy	U065-FA060	1
10	Flat washer	U065-FA061	1

CAIMAN

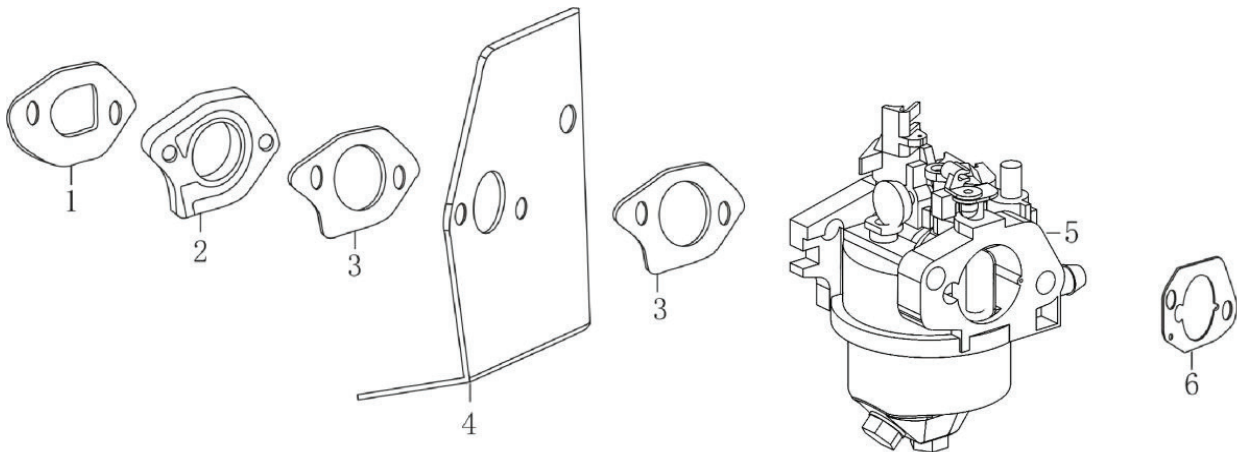
STARTER



N°	Description	Part Number	Qty (UOM)
1	Manual starting assembly	U065-FA062	1
2	Starter decoration cover	U065-FA063	1
3	Cross recessed pan head screw	U065-FA064	3
4	Hexagon nut with flange	U065-FA065	3
5	LAMINA,CONTEOL THROTTLE	U065-FA066	1
6	dust cap	U065-FA067	1
7	Hexagon shaft shoulder bolt	U065-FA068	1
8	Choke valve pull rod	U065-FA069	1
9	Choke valve pull rod	U065-FA070	1
10	Hexagon bolt with flange	U065-FA071	2
11	Control components of choke valve	U065-FA072	1
12	Locker of choke valve pull rob	U065-FA073	1

CAIMAN

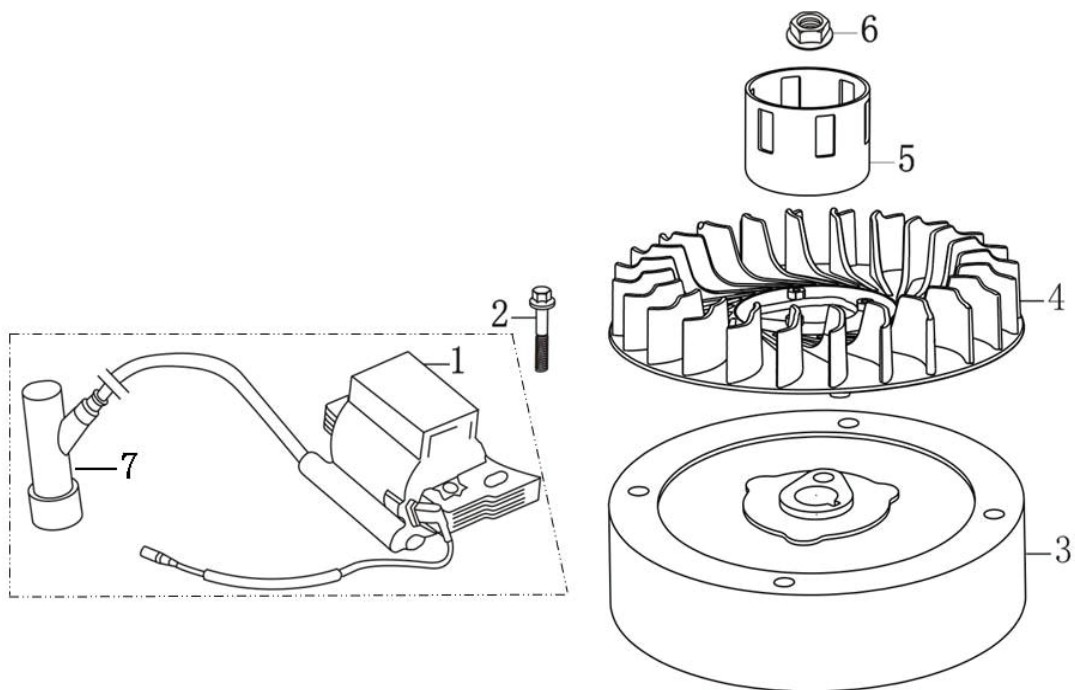
CARBURETOR



N°	Description	Part Number	Qty (UOM)
1	Carburetor gasket	U065-FA074	1
2	Heat insulating pad for carburetor	U065-FA075	1
3	Carburetor gasket	U065-FA076	2
4	Heat insulating plate for carburetor	U065-FA077	1
5	Carburetor	U065-FA078	1
6	Carburetor gasket	U065-FA079	1

CAIMAN

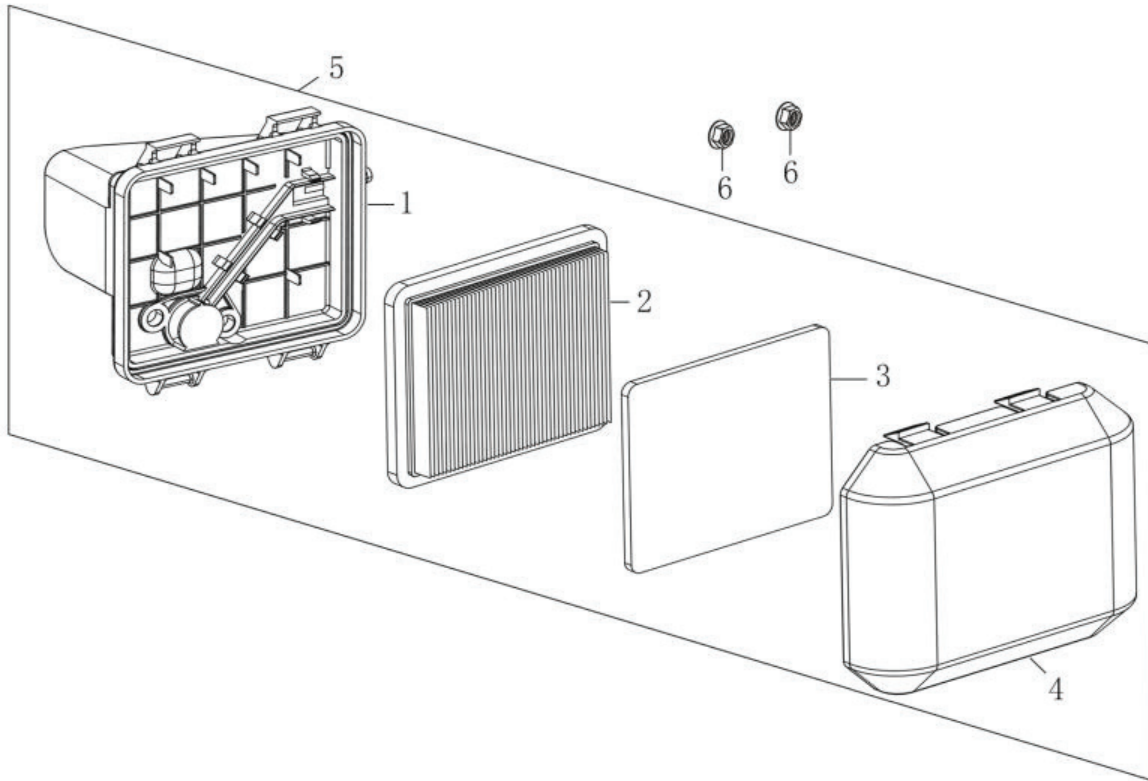
FLYWHEEL/IGNITION COMP



N°	Description	Part Number	Qty (UOM)
1	COIL ASSY., IGNITION	U065-FA080	1
2	Hexagon bolt with flange	U065-FA024	1
3	FLYWHEEL COMP	U065-FA082	1
4	Impeller	U065-FA083	1
5	Starting disc	U065-FA084	1
6	Hexagon nut with flange	U065-FA085	1

CAIMAN

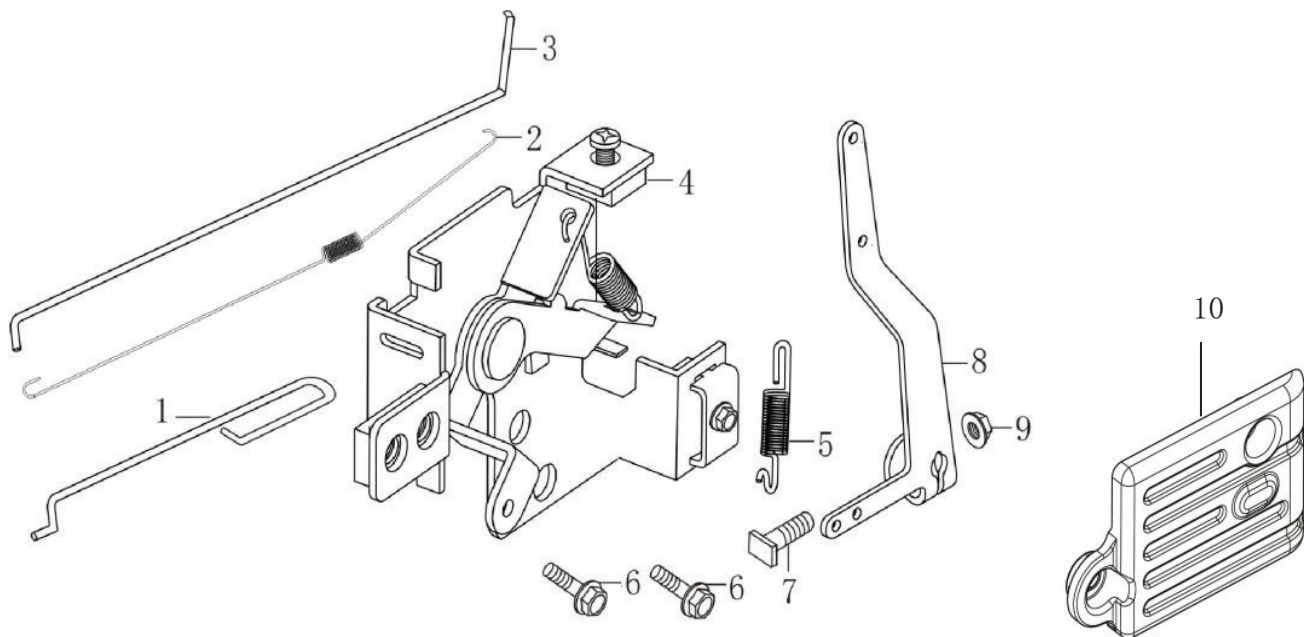
AIR CLEANER



N°	Description	Part Number	Qty (UOM)
1	Air filter seat	U065-FA086	1
2	Air filter element	U065-FA087	1
3	Air filter element	U065-FA088	1
4	Air filter casing cover	U065-FA089	1
5	Air filter	U065-FA090	1
6	Hexagon nut with flange	U065-FA065	2
7	Hexagon bolt with flange	U065-FA013	1

CAIMAN

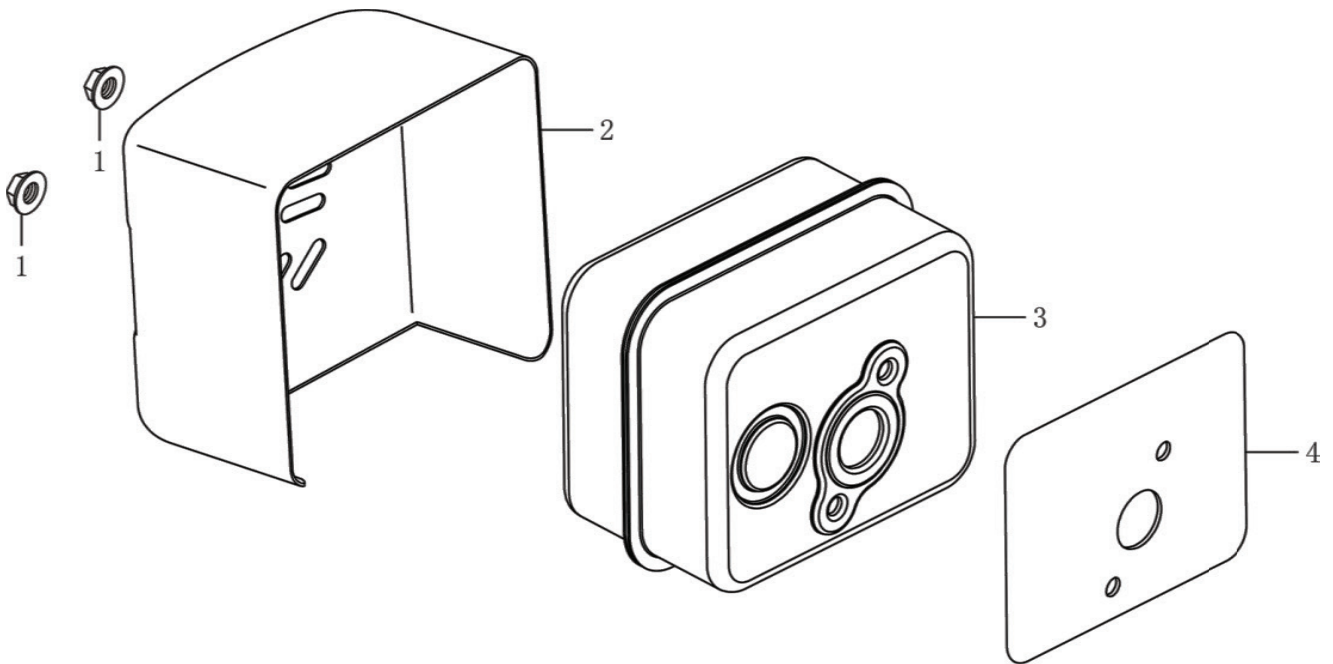
CONTROL SYSTEM



N°	Description	Part Number	Qty (UOM)
2	Throttle return spring	U065-FA093	1
3	Throttle rod	U065-FA094	1
4	Throttle handle combination	U065-FA095	1
5	Governing spring	U065-FA096	1
6	Hexagon bolt with flange	U065-FA097	2
7	Square head set screw with flat point	U065-FA098	1
8	Speed regulating bracket	U065-FA099	1
9	Hexagon nut with flange	U065-FA100	1
10	Guard plate for throttle combination	U065-FA101	1

CAIMAN

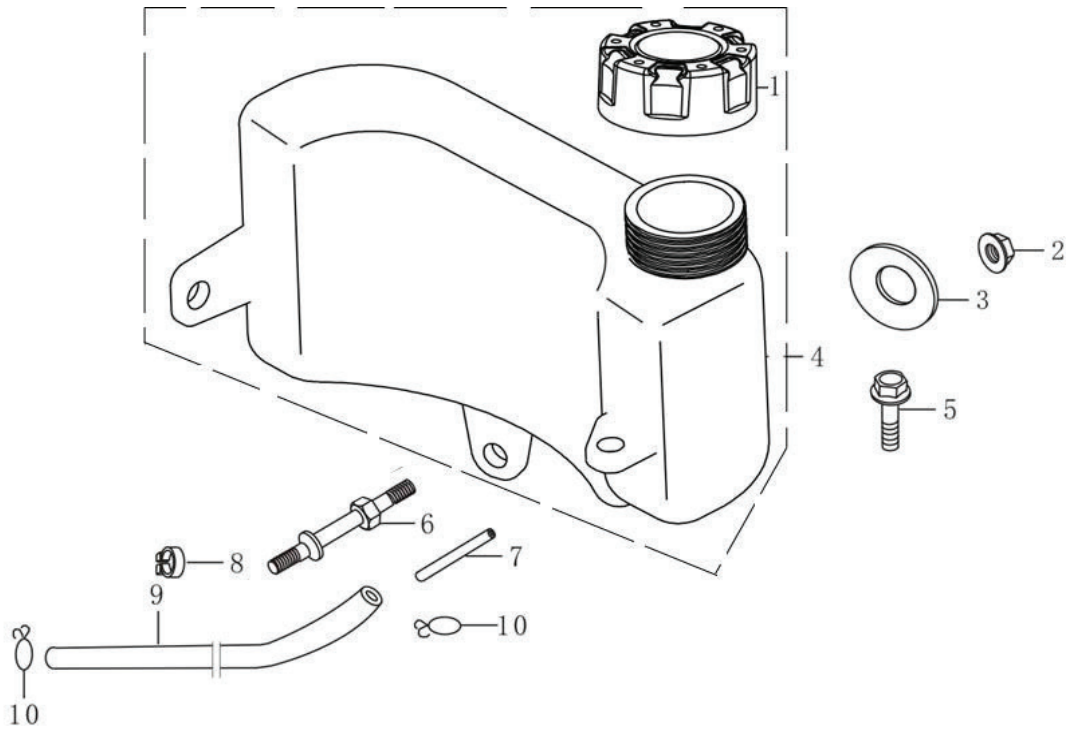
MUFFLER



N°	Description	Part Number	Qty (UOM)
1	Hexagon nut with flange	U065-FA100	2
2	Muffler guard shield	U065-FA103	1
3	Muffler	U065-FA104	1
4	Muffler gasket	U065-FA105	1

CAIMAN

FUEL TANK



N°	Description	Part Number	Qty (UOM)
1	Tank cover	U065-FA106	1
2	Hexagon nut with flange	U065-FA100	1
3	Flat washer	U065-FA108	1
4	Tank	U065-FA109	1
5	Hexagon bolt with flange	U065-FA013	1
6	Stay stud	U065-FA111	1
7	Fuel filter	U065-FA112	1
8	Location wire nail	U065-FA113	1
9	Oil tube	U065-FA114	1
10	Pipe clip	U065-FA115	2