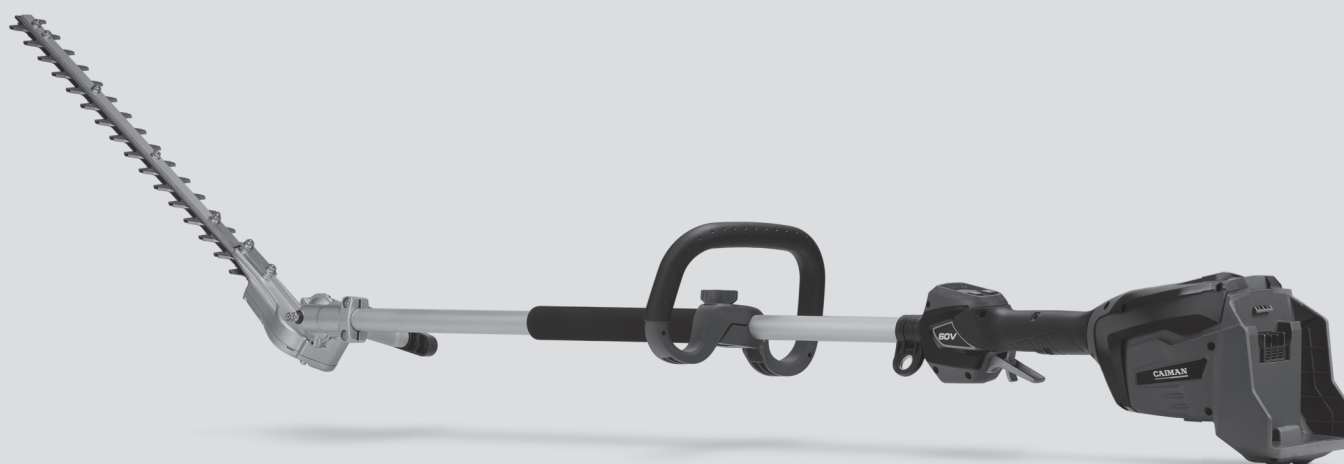


# CAIMAN

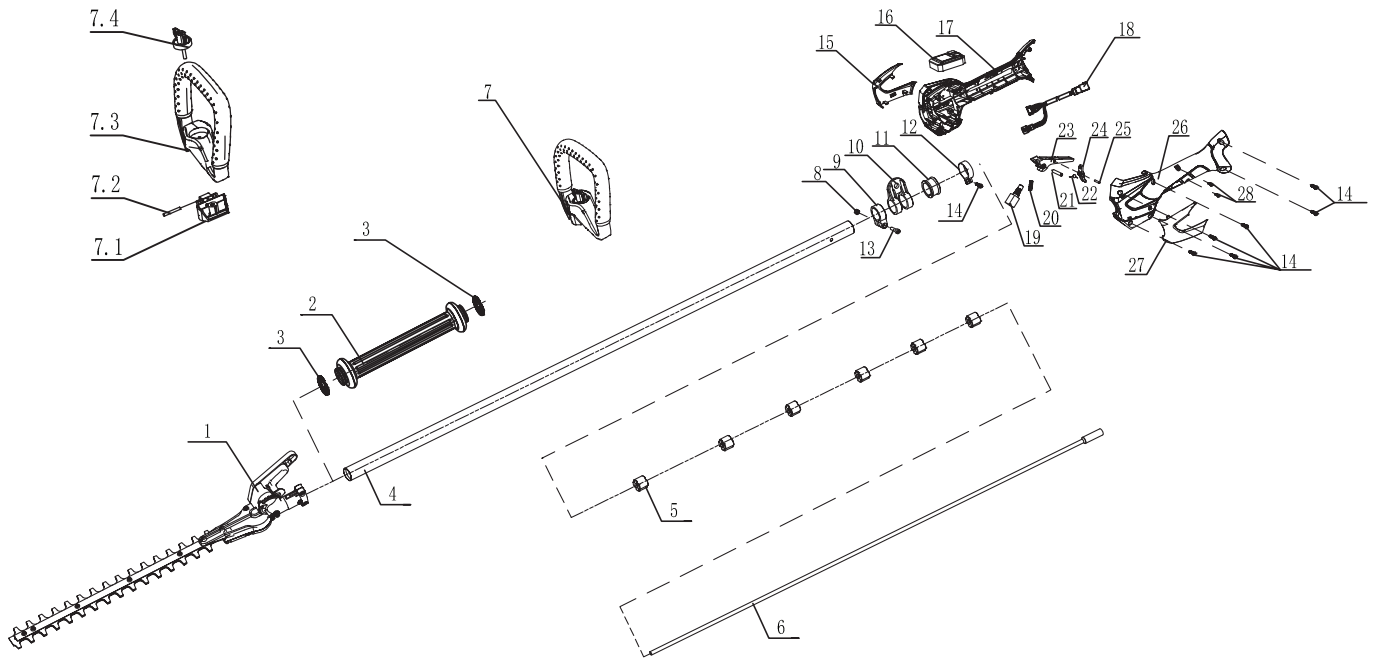
---

## Ножницы аккумуляторные **ENO HTLi**



# CAIMAN

## ENO HTLi pole hedger shaft

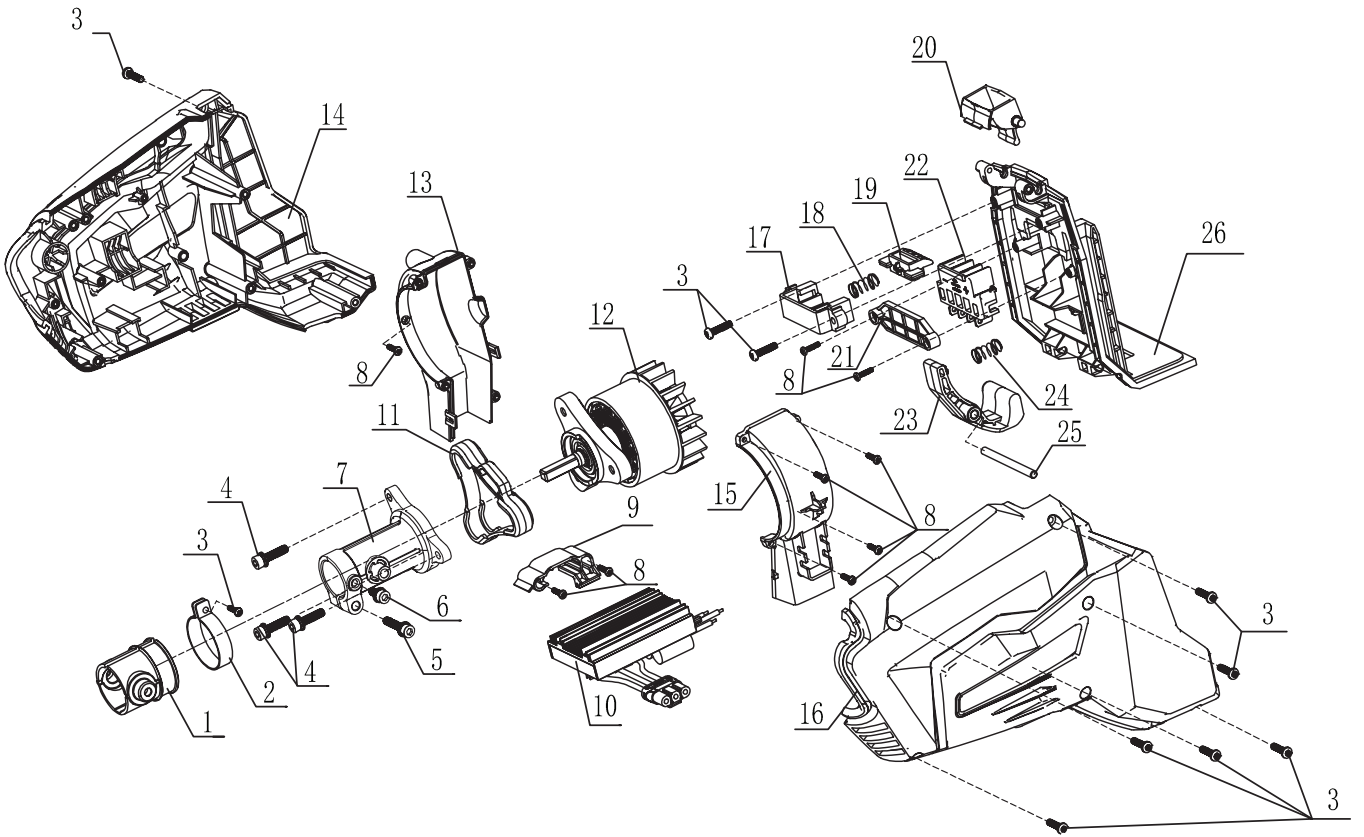


# **CAIMAN**

<b>N°</b>	<b>Description</b>	<b>Part Number</b>	<b>Qty</b>
1	Pole hedger working head	CEPT-0001	1
2	Rubber front handle	CEPT-0002	1
3	Tension spring	CEPT-0003	2
4	Aluminum tube Ø26x1250	CEPT-0004	1
5	Oil bearing assembly	CEPT-0005	4
6	Hard shaft welding Ø7x1273.5	CEPT-0006	1
7	Front handle assembly	CEPT-0007	1
7,1	Front handle lower part	CEPT-0008	1
7,2	Pin shaft Ø4x32	CEPT-0009	1
7,3	Front handle upper part encapsulation	CEPT-0010	1
7,4	Front handle knob	CEPT-0011	1
8	M5 hex nut	CEPT-0012	1
9	Lifting ring fixing block	CEPT-0013	1
10	Lifting ring	CEPT-0014	1
11	Rear handle shock absorber sleeve	CEPT-0015	1
12	Ø32 Hoop	CEPT-0016	1
13	M5x20_T25 Internal hexagonal flower shaped cylindrical head screw	CEPT-0017	1
14	ST3.9x16-T20 Internal hexagonal patterned pan head self tapping screws	CEPT-0018	7
15	Rear handle right decorative piece	CEPT-0019	1
16	Display assembly	CEPT-0023	1
17	Rear handle right shell encapsulation	CEPT-0020	1
18	Display connected wiring harness	CEPT-0024	1
19	Speed control switch	CEPT-0025	1
20	Compression spring	CEPT-0026	1
21	Pin shaft Ø5x30	CEPT-0027	1
22	Trigger torsion spring	CEPT-0028	1
23	Rear handle trigger	CEPT-0029	1
24	Rear handle unlocking lever	CEPT-0030	1
25	Pin shaft Ø3x17	CEPT-0031	1
26	Rear handle Left shell encapsulation	CEPT-0021	1
27	Rear handle Left decorative piece	CEPT-0022	1
28	ST2.9x12-F Internal hexagonal flower shaped pan head anti disassembly self tapping screw	CEPT-0032	2

# CAIMAN

## ENO HTLi power head



# **CAIMAN**

<b>N°</b>	<b>Description</b>	<b>Part Number</b>	<b>Qty</b>
1	Aluminum pipe seat shock-absorbing sleeve	CEPT-0033	1
2	Φ36 Hoop	CEPT-0034	1
3	ST3.9x16-T20 Internal hexagonal patterned pan head self tapping screws	CEPT-0018	10
4	M5x20 _T25 Internal hexagonal flower shaped cylindrical head 3 combination screws	CEPT-0035	3
5	M5x25 _T25 Internal hexagonal flower shaped cylindrical head 3 combination screws	CEPT-0036	1
6	M5x12 _T25 Internal hexagonal flower shaped cylindrical head 3 combination screws	CEPT-0037	1
7	Aluminum tube fixing seat	CEPT-0038	1
8	ST2.9x12-F Internal hexagonal flower shaped pan head anti disassembly self tapping screw	CEPT-0032	9
9	Terminal fixing seat	CEPT-0039	1
10	Controller	CEPT-0040	1
11	Motor bracket shock-absorbing ring	CEPT-0042	1
12	Brushless outer rotor motor	CEPT-0043	1
13	Fan cover right shell	CEPT-0044	1
14	Right shell assembly	CEPT-0046	1
15	Fan cover left shell	CEPT-0045	1
16	Left shell assembly	CEPT-0047	1
17	Battery pack pressure platen fixing seat	CEPT-0048	1
18	Compression spring	CEPT-0049	1
19	Battery pack pressure platen	CEPT-0050	1
20	Battery pack releasing trigger	CEPT-0051	1
21	Insertion seat platen	CEPT-0052	1
22	Insert socket L	CEPT-0041	1
23	Battery reseting pillar	CEPT-0053	1
24	Compression spring	CEPT-0054	1
25	Pin shaft Φ5x62.5	CEPT-0055	1
26	Support plate	CEPT-0056	1