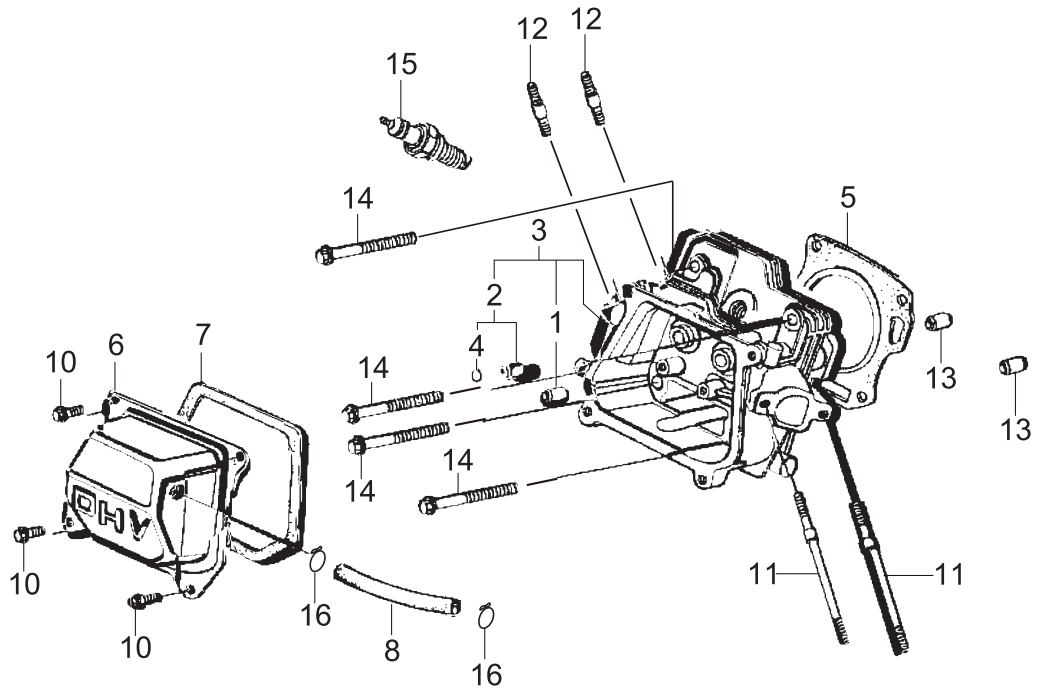


CYLINDER HEAD

GX200UT2-SCM
CYLINDER HEAD

CFQ0



CYLINDER HEAD

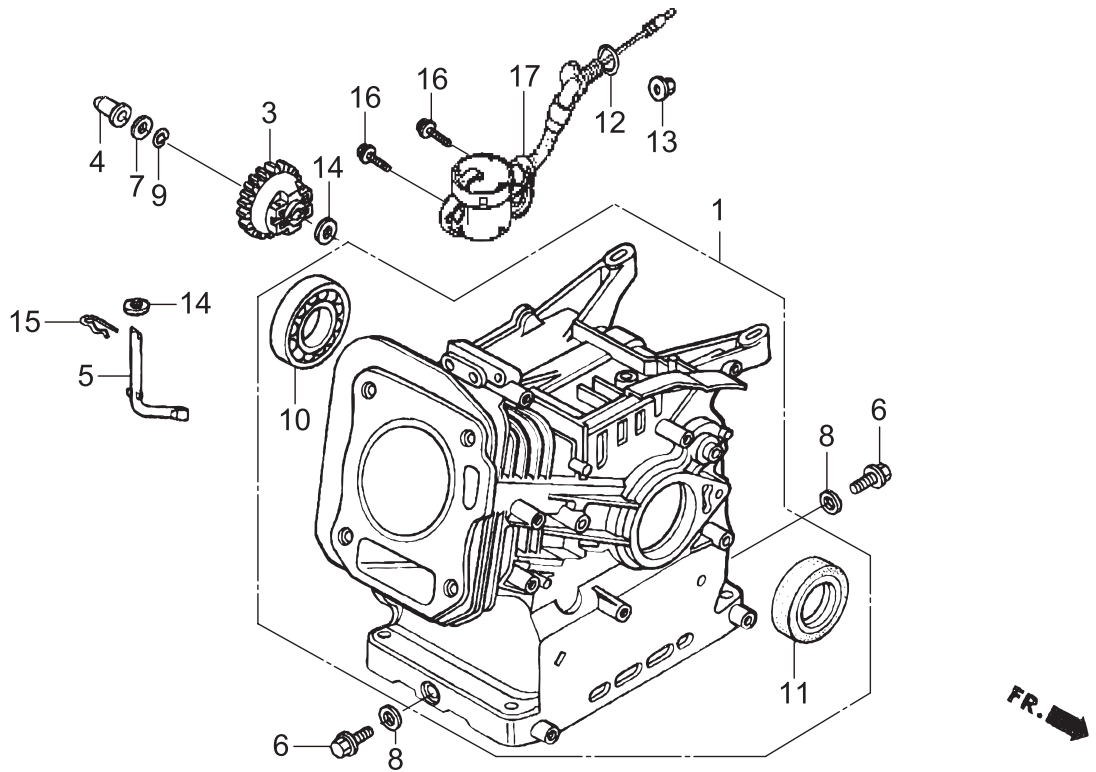
NO.	PART/NO.	PartsName	Q' TY	MK2	REMARKS
1	12204-ZE1-306	GUIDE, INLET VALVE (O. S.)	1		
2	12205-ZE1-315	GUIDE, EXHAUST VALVE (O. S.)	1		
3	12210-ZL0-425	HEAD COMP. , CYLINDER	1		
4	12216-ZE5-300	CLIP, VALVE GUIDE	1		
5	12251-ZL0-003	GASKET, CYLINDER HEAD	1		
6	12310-Z4M-840	COVER COMP, HEAD/UT2QXC9	1		
7	12391-ZE1-000	PACKING, HEAD COVER	1		
8	15721-ZE1-840	TUBE, BREATHER	1	OJH	
10	90013-883-000	FLANGE BOLT 6X12	4		
11	90043-ZE1-020	STUD BOLT 6X112	2		
12	90047-ZE1-000	STUD BOLT 8X32	2		
13	94301-10160	KNOCK PIN 10X16	2	OJH	
14	95701-0806000	BOLT, FLANGE 8X60	4		
15	065-01404-80	SPARK PLUG /BPR6ES	1		
16	95002-80000	CLIP, TUBE (C12)	2	OJH	

CYLINDER BARREL

GX200UT2-SCM

CFR0

CYLINDER BARREL



CYLINDER BARREL

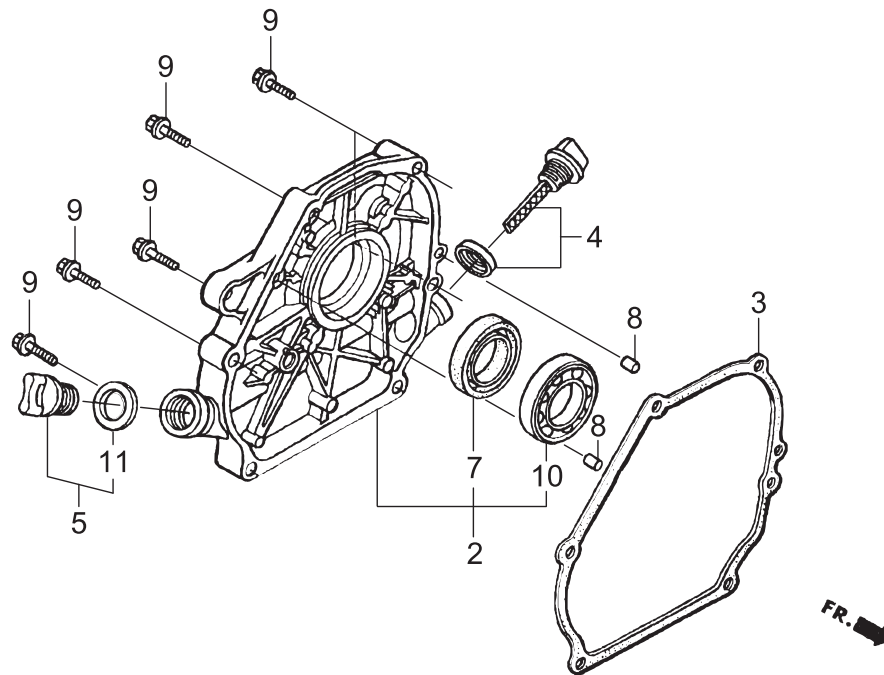
NO.	PART/NO.	PartsName	Q' TY	MK2	REMARKS
1	12000-Z4V-426	BARREL, AY SYLINDER(OIL AL	1		
3	16506-ZLO-000	GOVERNOR ASSY.	1		
4	16531-ZE1-000	SLIDER, GOVERNOR	1		
5	16541-ZE1-000	SHAFT, GOVERNOR ARM	1		
6	90131-ZE1-000	BOLT, DRAIN PLUG	2		
7	90451-ZE1-000	THRUST WASHER 6MM	1		
8	90601-ZE1-000	WASHER, DRAIN PLUG	2		
9	90602-ZE1-000	CLIP, GOVERNOR HOLDER	1		
10	91001-ZF1-003	BALL BEARING 6205TMB	1		
11	91201-ZOT-801	OIL SEAL 25X41X6	1		
12	91353-671-004	O-RING 14MM	1		
13	94050-10000	FLANGE NUT M10	1		
14	94101-06800	PLAIN WASHER 6MM	2		
15	94251-08000	LOCK PIN 8MM	1		
16	95701-0601200	FLANGE BOLT 6X12	2		
17	35480-ZOT-003	SWITCH ASSY. , OIL LEVEL	1		

CRANKCASE COVER

GX200UT2-SCM

CFS0

CRANKCASE COVER



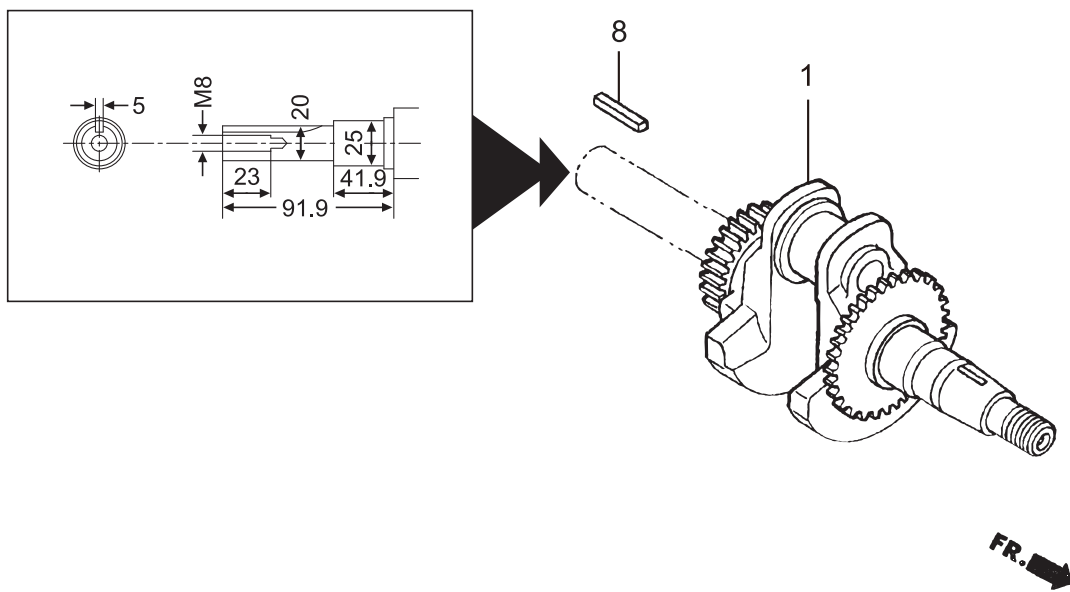
CRANKCASE COVER

NO.	PART/NO.	PartsName	Q' TY	MK2	REMARKS
2	11300-Z4M-000	COVER AY/GX200UT2SM14	1	OJH	
3	11381-ZH8-801	GASKET CRANK CASE	1		
4	15600-Z0T-810	CAP AY OIL FILLER	1		
5	15600-ZG4-003	OIL PLUG	1		
7	91201-Z0T-801	OIL SEAL 25X41X6	1		
8	94301-08140	KNOCK PIN 8X14	2	OJH	
9	95701-0803200	FLANGE BOLT 8X32	6		
10	96100-6205000	BALL BEARING 6205	1		
11	15625-ZE1-003	PACKING, OIL FILLER CAP	1		

CRANKSHAFT

GX200UT2-SCM
CRANKSHAFT

CFT0



CRANKSHAFT

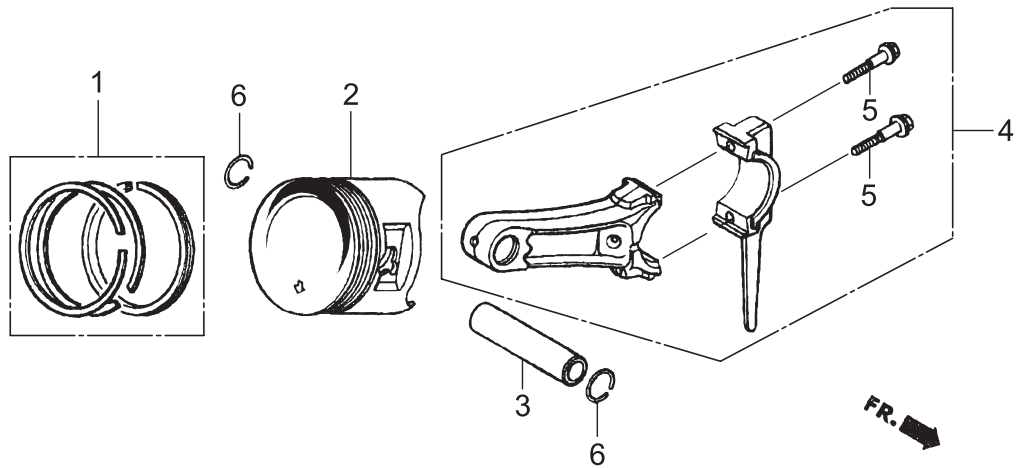
NO.	PART/NO.	PartsName	Q' TY	MK2	REMARKS
1	13310-ZLO-020	CRANK SHAFT COMP/GX200	1		
8	90741-883-810	KEY 5X5X33	1		

PISTON

GX200UT2-SCM

CFU0

PISTON



PISTON

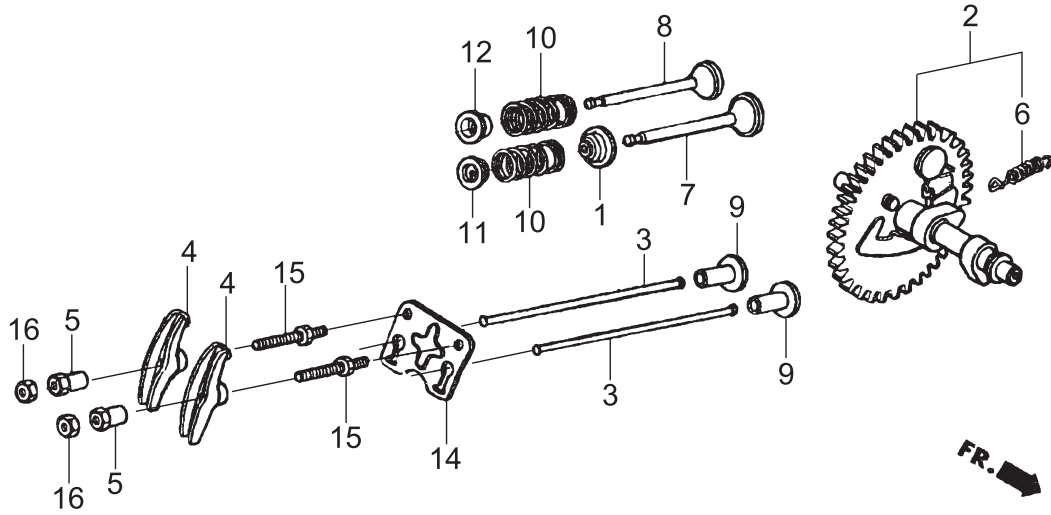
NO.	PART/NO.	PartsName	Q' TY	MK2	REMARKS
1	13010-Z4K-004	RING SET, PISTON (STD/160U	1		
1	13011-Z4K-004	RING SET, PISTON (0. 25)	1	OJH	
1	13012-Z4K-004	RING SET, PISTON (0. 50/160U	1	OJH	
1	13013-Z4K-004	RING SET, PISTON (0. 75/160U	1	OJH	
2	13101-Z4V-800	PISTON STD/GX200T2	1		
2	13102-ZL0-020	PISTON (0. 25) /GX200U	1	OJH	
2	13103-ZL0-020	PISTON (0. 50) /GX200U	1		
2	13104-ZL0-020	PISTON (0. 75) /GX200U	1	OJH	
3	13111-Z4M-000	PIN, PISTON/GX200T2	1		
4	13200-Z0T-800	ROD AY, CONNECTING/GX200T2	1		
5	90001-ZE1-000	CONNECTING ROD BOLT	2		
6	90551-ZE1-000	CLIP, PISTON PIN 18MM	2		

CAMSHAFT

GX200UT2-SCM

CAMSHAFT

CFV0



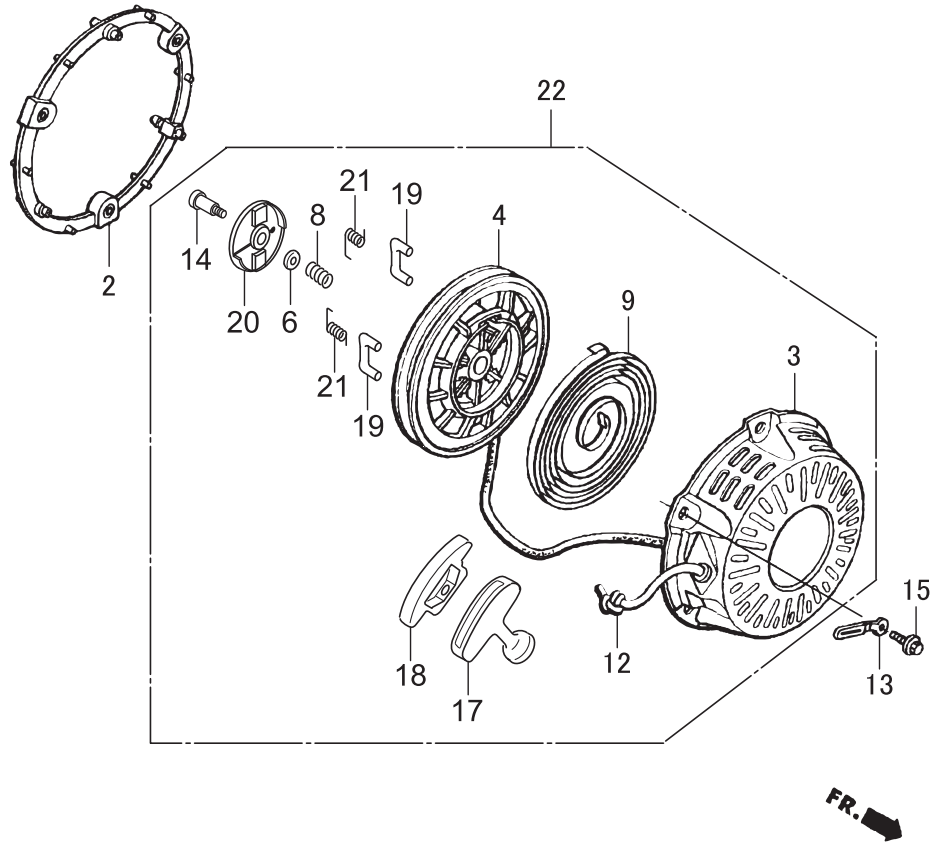
CAMSHAFT

NO.	PART/NO.	PartsName	Q' TY	MK2	REMARKS
1	12209-Z4M-801	SEAL, VALVE STEM/GX200T2	1		
2	14100-ZL0-000	CAM SHAFT ASSY.	1		
3	14410-ZE1-010	PUSH ROD	2		
4	14431-ZE1-000	ARM, VALVE ROCKER	2		
5	14451-Z4M-000	PIVOT, ROCKER ARM	2		
6	14568-ZE1-000	SPRING, WEIGHT RETURN	1	OJH	
7	14711-Z4V-900	VALVE, IN. /GX200UT2SCM	1		
8	14721-Z4V-900	VALVE, EX / GX200UT2SM	1		
9	14731-ZL0-000	LIFTER, VALVE	2		
10	14751-ZF1-000	SPRING, VALVE	2		
11	14771-Z0T-900	RETAINER, VALVE SPRING	1		
12	14771-Z0T-900	RETAINER, VALVE SPRING	1		
14	14791-ZE1-010	PLATE, PUSH ROD GUIDE	1	SS!OJH	
15	90012-ZE0-010	BOLT, PIVOT, 8MM/GX160	2	OJH	
16	90206-ZE1-000	NUT, PIBOT ADJUSTING	2		

RECOIL STARTER

GX200UT2-SCM
RECOIL STARTER

CFW0



RECOIL STARTER

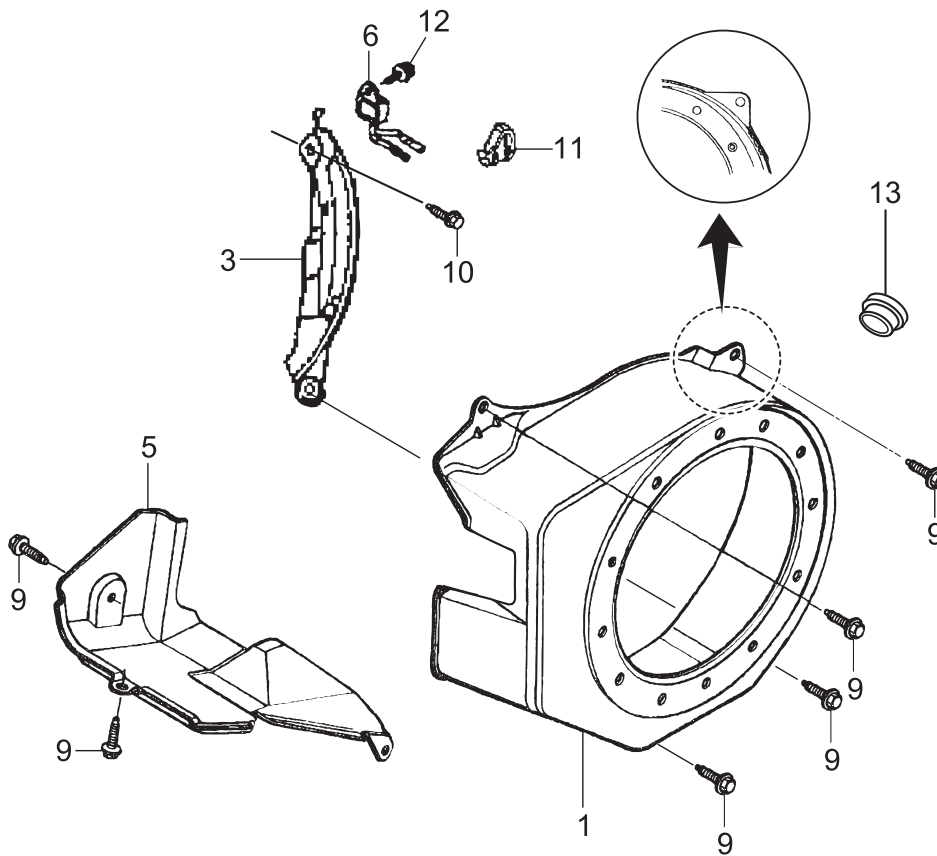
NO.	PART/NO.	PartsName	Q' TY	MK2	REMARKS
2	28405-ZL0-000ZA	SPACER . , RECOIL STERTER	1	OJH	
3	28410-Z4M-003ZD	CASE CP, R-STARTER/160UT2	1		
4	28421-Z1T-702	REEL, RECOIL STARTER	1		
6	28431-ZH8-801	PLATE, FRICTION	1		
8	28441-ZH8-801	FRICTION SPRING	1		
9	28442-ZH8-003	SPRING, RECOIL STARTER	1		
12	28462-ZH8-003	ROPE, RECOIL STARTER	1		
13	32901-MA1-000	CLIP, CORD	1		
14	90003-ZH8-801	SCREW, SETTING	1		
15	95701-0601800	FLANGE BOLT 6X18	3		
17	28461-Z4M-305	KNOB, RECOIL STARTER	1	S!28461-Z4M-003	
18	28463-Z4M-003	KNOB, REINFORCEMENT	1		
19	28422-Z1T-701	RATCHET, STARTER	2		
20	28433-Z1T-702	GUIDE, RATCHET	1		
21	28443-Z1T-701	SPRING, RETURN	2		
22	28400-Z4M-306ZC	RECOIL STARTER AY/GX270, B	1		

FAN COVER

GX200UT2-SCM

CFX0

FAN COVER



FAN COVER

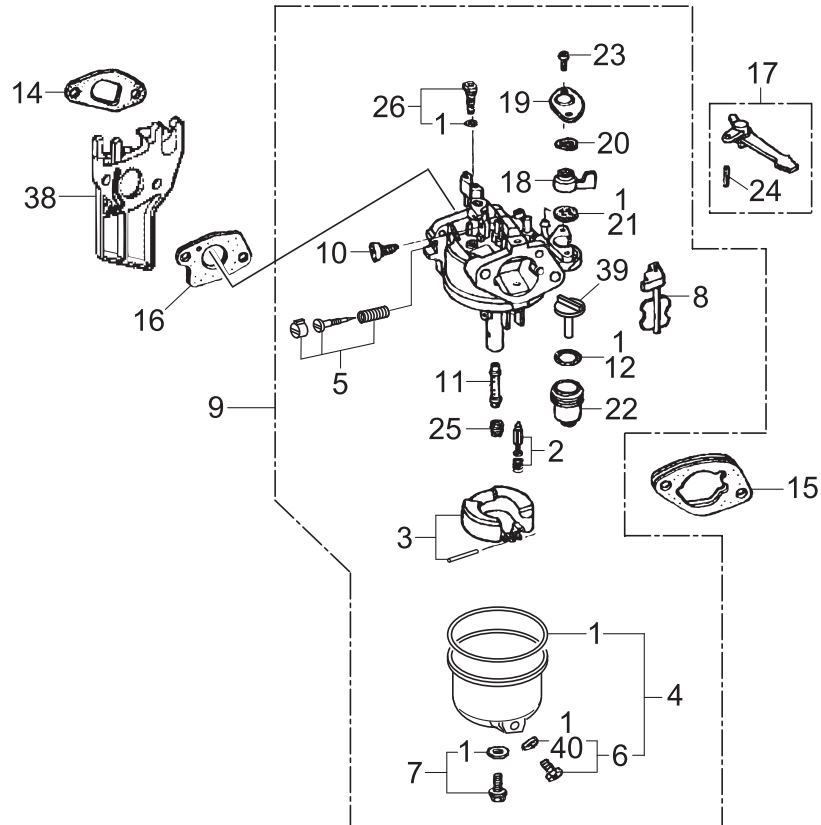
NO.	PART/NO.	PartsName	Q' TY	MK2	REMARKS
1	19610-Z4M-000ZB	COVER CP, FAN/GX160UT2	1		BLACK
3	19611-Z4M-810	PLATE CP, SIDE(OIL ALERT)	1	OJH	
5	19630-ZH8-000	SHROUD COMP.	1	OJH	
6	34150-ZH7-023	ALERT UNIT, OIL	1		
9	90013-883-000	FLANGE BOLT 6X12	6		
10	90022-888-010	FLANGE BOLT 6X20	1		
11	90601-ZH7-013	CLIP, HARNESS	1	SS!OJH	
12	95701-0600800	FLANGE BOLT 6X8	1		
13	81329-567-020	GROMMET, DRAIN HOLE	1		

CARBURETOR

GX200UT2-SCM

CFY0

CARBURETOR



CARBURETOR

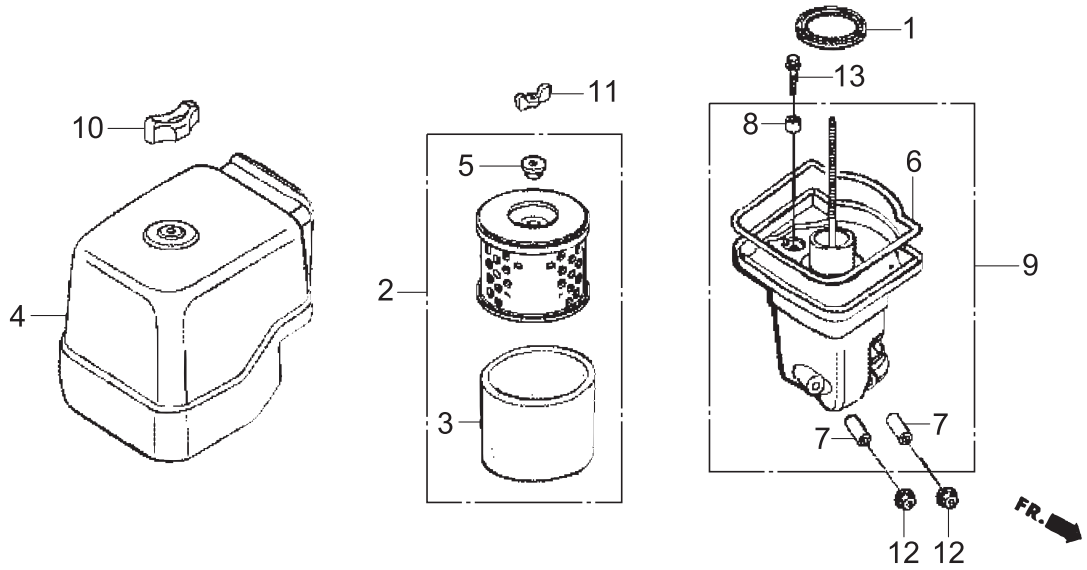
NO.	PART/NO.	PartsName	Q' TY	MK2	REMARKS
1	16010-ZE1-812	GASKET SET	1		
2	16011-ZE0-005	FLOAT VALVE SET	1		
3	16013-Z0S-B01	FLOAT SET/GX200T2	1	OJH	
4	16015-Z4M-911	CHAMBER SET, FLOAT	1	OJH	
5	16016-ZH7-W01	SCREW SET, PILOT	1		
6	16024-Z5T-901	SCREW SET, DRAIN/GX200T2	1		
7	16028-Z5T-901	SCREW SET/GX200T2	1	OJH	
8	16044-Z4M-911	CHOKE SET/GX200T2	1	OJH	
9	16100-Z4V-781	CARBURETOR ASSY. (BEA3K A)	1		
10	16124-ZE0-005	SCREW, THROTTLE STOP	1		
11	16166-Z4V-781	NOZZLE, MAIN	1	OJH	
12	16173-001-004	PACKING, CUP	1		
14	16212-ZH8-800	PACKING, INSULATOR	1		
15	16220-ZE1-020	SPACER COMP. , CARBURETOR	1		
16	16221-ZH8-801	PACKING, CARBURETOR	1		
17	16610-ZE1-000	CHOKE LEVER COMP.	1		
18	16953-ZE1-812	LEVER, COCK	1		
19	16954-ZE1-812	PLATE, LEVER SETTING	1	OJH	
20	16956-ZE1-811	SPRING, COCK LEVER	1		
21	16957-ZE1-812	PACKING, FUEL COCK	1		
22	16967-ZE0-811	CUP, FUEL STRAINER	1		
23	93500-030060H	SCREW 3X6 / GX390	2	OJH	
24	94305-20122	SPRING PIN 2X12	1		
25	99101-ZH80820	JET, MAIN, #82	1	!99101-ZH8-0820	
26	99204-ZE20400	JET SET, PILOT, #40	1	OJH	
38	16211-Z4V-000	INSULATOR, CARBURETOR	1	OJH	
39	16959-Z5T-901	FILTER, CUP/GX200T2	1		
40	16141-Z0S-003	WASHER, PLAIN (6. 2) /DRAIN	1	OJH	

AIR CLEANER (CYCLONE)

GX200UT2-SCM

CFZ0

AIR CLEANER (CYCLONE)



AIR CLEANER (CYCLONE)

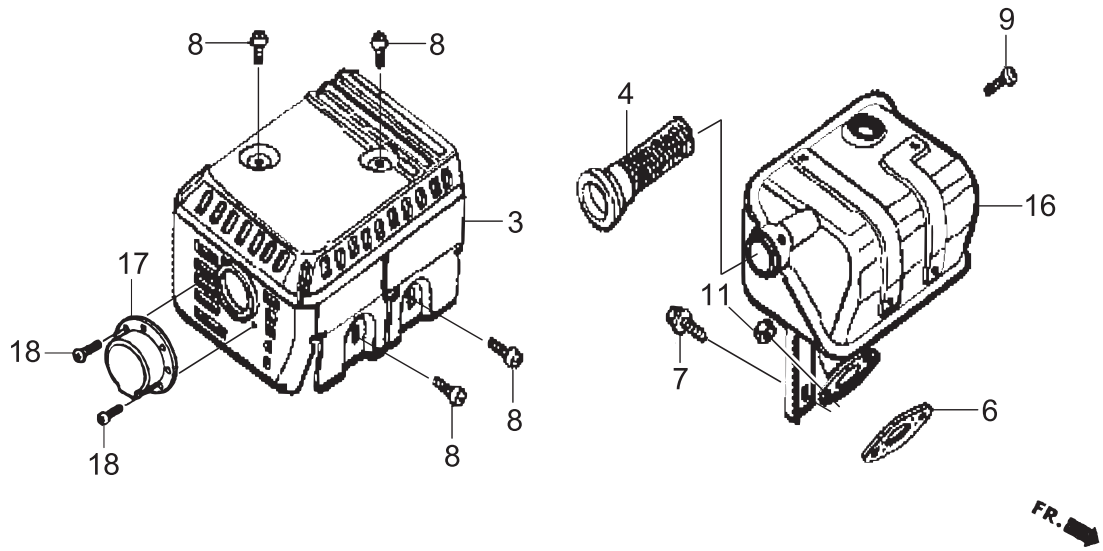
NO.	PART/NO.	PartsName	Q' TY	MK2	REMARKS
1	16271-ZE1-000	PACKING, ELBOW	1		
2	17210-ZOV-781	ELEMENT, AIR CLEANER	1		
3	17218-ZOV-780	FILTER, OUTER	1	OJH	
4	17230-ZOV-780	COVER AY, AIR CLEANER	1		
5	17232-891-000	GROMET, AIR CLEANER	1		
6	17233-ZOV-780	SEAL, AIR CLEANER COVER	1	OJH	
7	17238-ZE7-010	COLLAR, AIR CLEANER	2		
8	17239-ZE3-840	COLLAR B, AIR CLEANER	1	OJH	
9	17410-ZOV-780	ELBOW COMP, AIR CLEANER	1		INCL, 6-8
10	90300-Z4M-800	NUT, AIR CLEANER	1		
11	90325-044-000	NUT, TOOL BOX SETTING	1		
12	94050-06000	FLANGE NUT 6MM	2		
13	95701-0602000	FLANGE BOLT 6X20	1		

MUFFLER

GX200UT2-SCM

CGA0

MUFFLER



MUFFLER

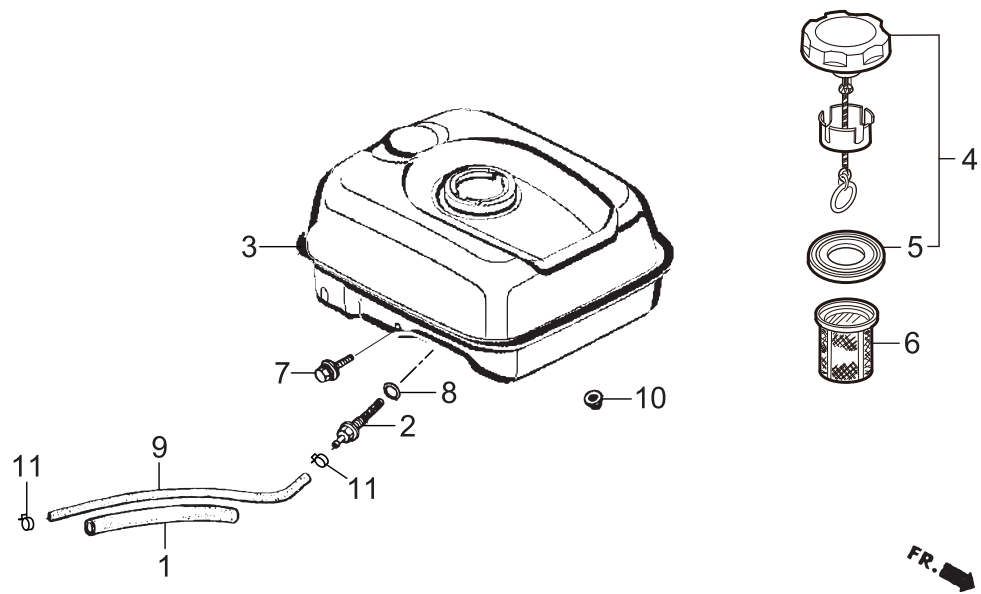
NO.	PART/NO.	PartsName	Q' TY	MK2	REMARKS
3	18320-Z4V-000	PROTECTOR CP, MUFFLER	1		
4	18355-ZL0-000	ARRESTER, SPARK	1	OJH	
6	18381-Z0T-801	GASKET, MUFFLER/GX160UT2	1		
7	90016-ZE1-000	FLANGE BOLT 6X13	1		
8	90050-ZE1-000	TAPPING SCREW 5X8	1		
9	90055-ZE1-000	TAPPING SCREW 4X6	1		
11	94001-080000S	NUT 8MM	1		
16	18310-Z4V-010	MUFFLER COMP/GX270UT2	1		
17	18331-883-810	DEFLECTOR, MUFFLER	1		
18	90055-ZE1-000	TAPPING SCREW 4X6	2		

FUEL TANK

GX200UT2-SCM

CGB0

FUEL TANK



FUEL TANK

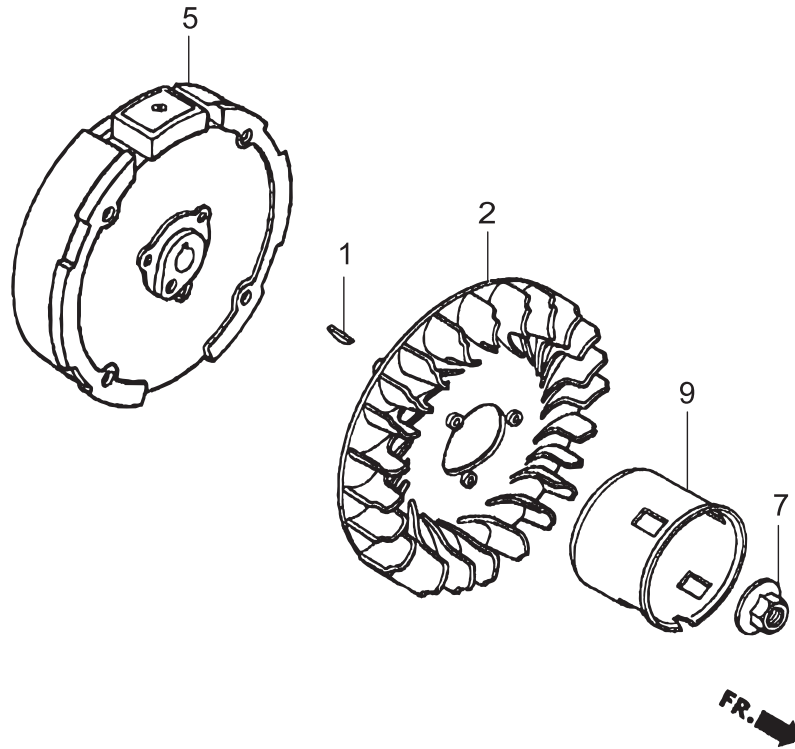
NO.	PART/NO.	PartsName	Q' TY	MK2	REMARKS
1	16854-ZH8-000	RUBBER, SUPPORT (107MM)	1		
2	16955-ZE1-010	JOINT, FUEL TANK	1		
3	17510-Z4M-000ZB	TANK CP, FUEL NH1/16OUT2	1		
4	17620-Z4H-900	FUEL TANK CAP CP.	1		
5	17631-Z0T-801	PACKING, FUEL FILLER CAP	1		
6	17672-Z4H-000	FILTER, FUEL	1		
7	90004-ZL0-003	FLANGE BOLT 6X34	1		
8	91353-671-004	O-RING 14MM	1		
9	91424-Z4M-003	TUBE, FUEL 4. 5X145 (FKM)	1	OJH	
10	94050-06000	FLANGE NUT 6MM	2		
11	95002-4080008	CLAMP, TUBE (D8)	2	OJH	

FLYWHEEL

GX200UT2-SCM

CGC0

FLYWHEEL



FLYWHEEL

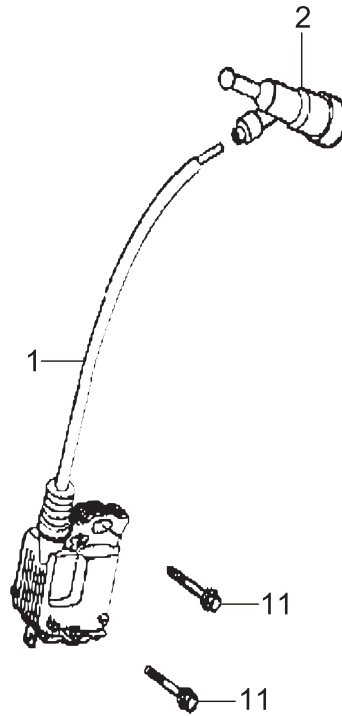
NO.	PART/NO.	PartsName	Q' TY	MK2	REMARKS
1	13331-357-000	WOODRUFF KEY 25X18	1		
2	19511-ZE1-000	COOLING FAN	1		
5	31100-ZE7-010	FLYWHEEL COMP. (STD.)	1	SS!0JH	
7	90201-Z0T-800	NUT, SPECIAL 14MM	1	0JH	
9	28451-Z4V-003	PULLEY, STARTER	1	0JH	

IGNITION COIL

GX200UT2-SCM

CGD0

IGNITION COIL



IGNITION COIL

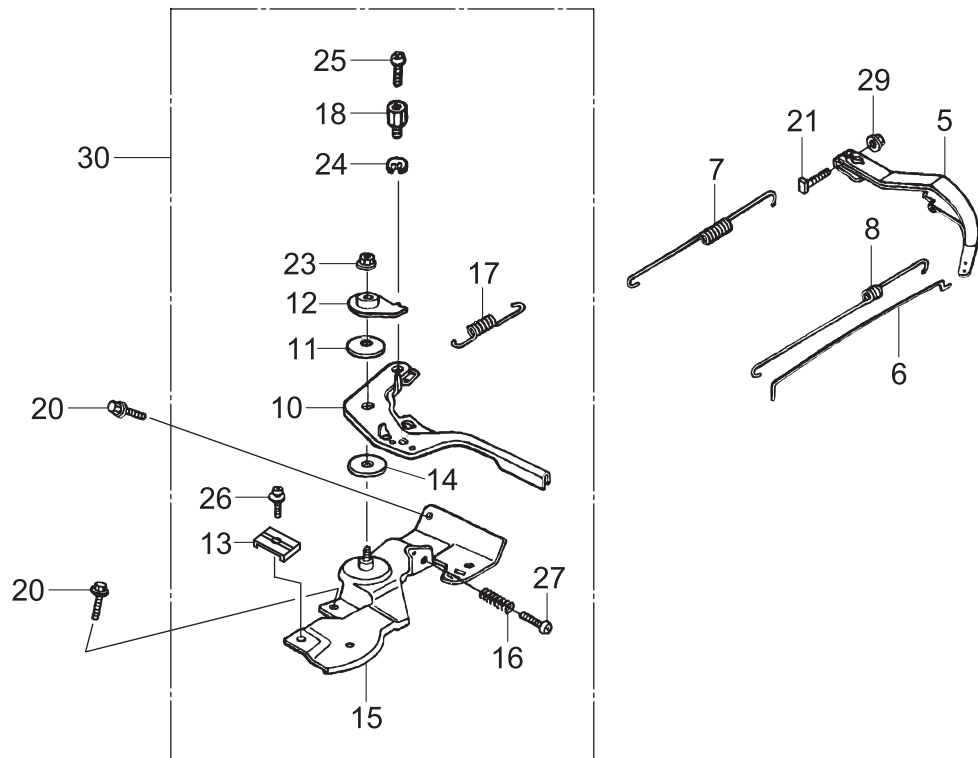
NO.	PART/NO.	PartsName	Q' TY	MK2	REMARKS
1	30500-Z0T-003	COIL AY, IGNITION/GX160UT2	1		
2	30700-Z0T-821	CAP ASSY, NOISE SUPPRESSOR	1		
8	32195-Z0T-003	CORD, STOP SWITCH 370MM	1		
11	90121-952-000	BOLT, FLANGE, 6X25 (CT200)	2		

CONTROL

GX200UT2-SCM

CGE0

CONTROL



CONTROL

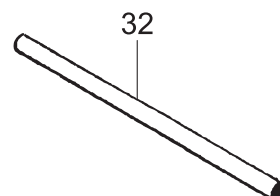
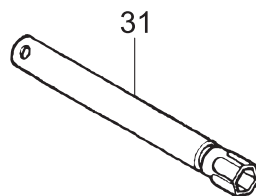
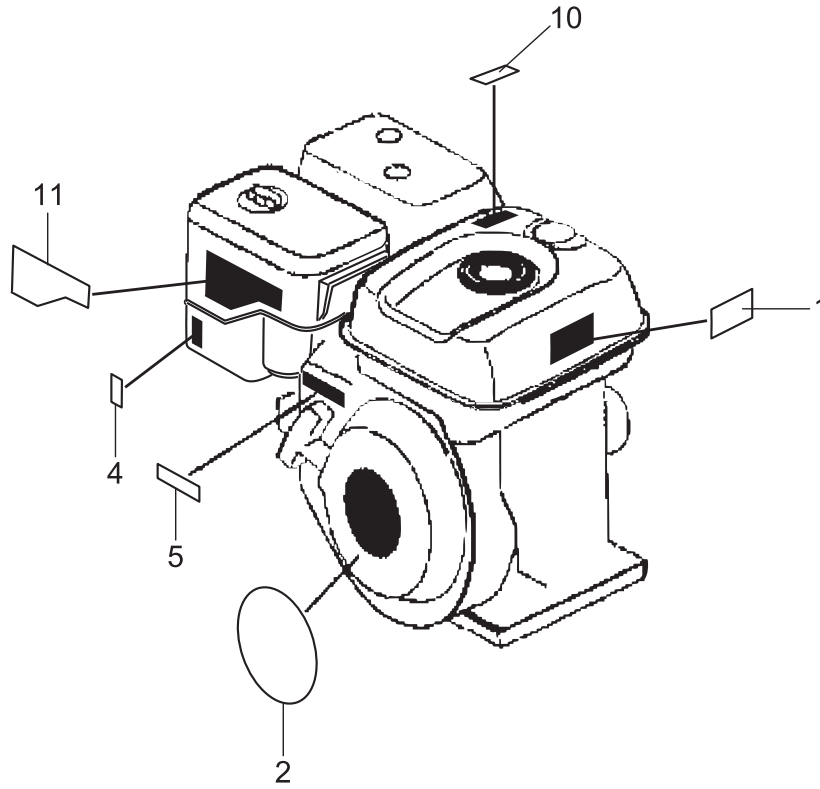
NO.	PART/NO.	PartsName	Q' TY	MK2	REMARKS
5	16551-ZL0-000	GOVERNOR ARM	1		
6	16555-Z4M-000	ROD, GOVERNOR/GX160UT2	1		
7	16561-ZL0-000	GOVERNOR SPRING	1		
8	16562-ZE1-020	SPRING, THROTTLE	1		
10	16571-Z4M-000	LEVER, CONTROL/GX200T2	1		
11	16574-ZE1-000	LEVER SPRING	1		
12	16575-ZH8-000	WASHER, CONTROL LEVER	1	SS!0JH	
13	16576-891-000	HOLDER, CABLE	1		
14	16578-ZE1-000	SPACER, CONTROL LEVER	1	SS!0JH	
15	16580-Z4M-810	BASE CP, CONTROL/GX200T2	1	OJH	
16	16584-883-300	ADJUSTING SPRING	1		
17	16592-ZE1-810	SPRING, CABLE, RETURN	1		
18	16594-883-010	HOLDER, WIRE	1	SS!0JH	
20	90013-883-000	FLANGE BOLT 6X12	2		
21	90015-Z5T-000	BOLT, GOVERNOR ARM	1		
23	90114-SA0-000	LOCK NUT 6MM	1	OJH	
24	90605-230-000	CIR CLIP	1	OJH	
25	93500-040060H	SCREW 4X6	1		
26	93500-050160A	SCREW 5X16	1		
27	93500-050250H	SCREW 5X25	1	OJH	
29	94050-06000	FLANGE NUT 6MM	1		
30	16500-Z4M-406	CONTROL ASSY/GX200	1		

LABEL & TOOL

GX200UT2-SCM

CGF0

LABEL & TOOL



LABEL & TOOL

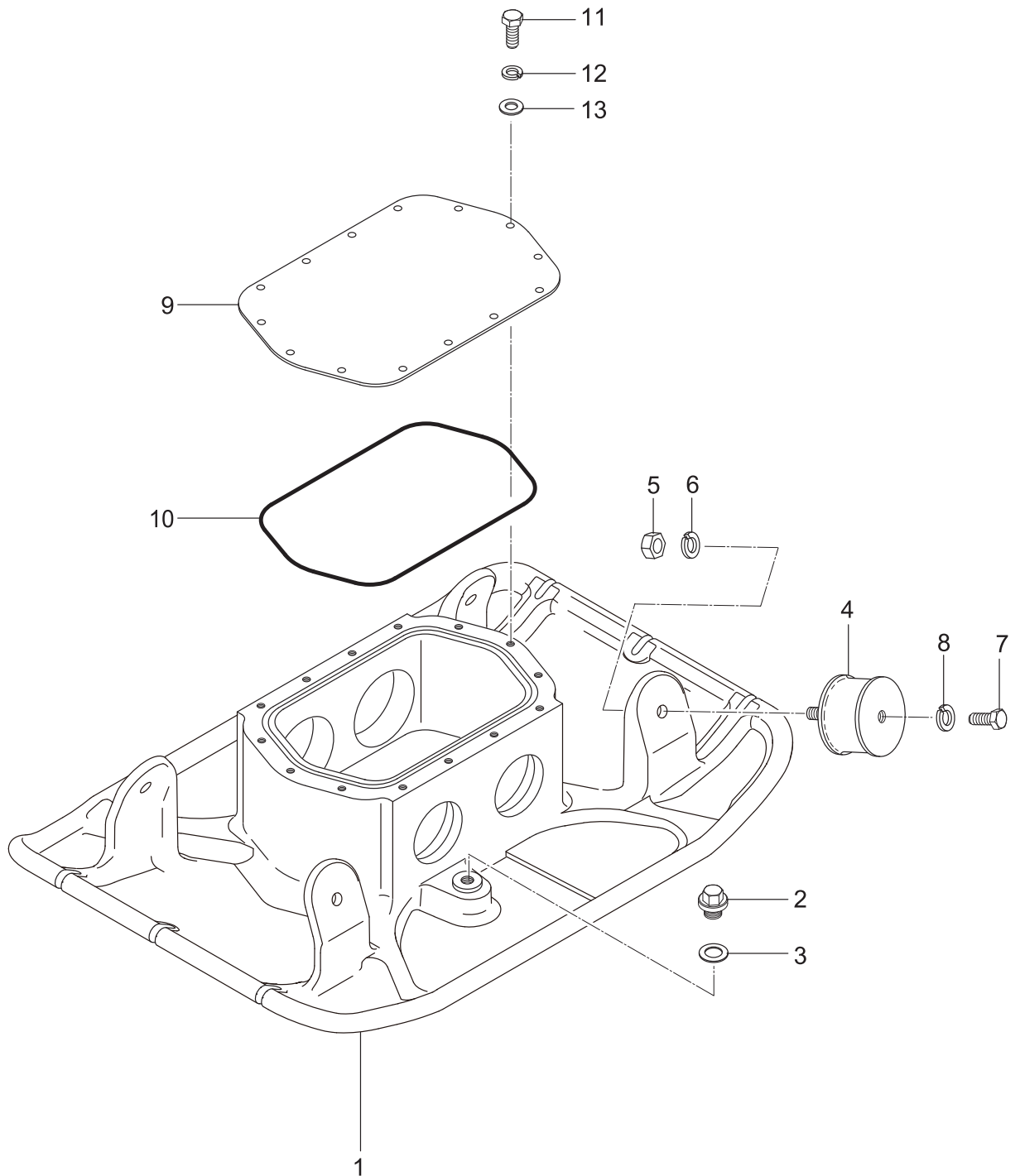
NO.	PART/NO.	PartsName	Q' TY	MK2	REMARKS
1	87516-Z4H-010	MARK, OP-CAUTION (ENGLISH)	1		
2	87521-Z4V-000	EMBLEM (GX200)	1		
4	87528-Z4M-000	MARK, CHOKE/GX160T2	1		
5	87532-ZH7-000	MARK, THROTTLE INDICATION	1		
10	87539-Z4M-000	MARK, EX. CAUTION (ENGLISH)	1		
11	87602-Z0V-780	MARK, SALES POINT	1	OJH	
21	87516-Z4H-801	MARK, OP-CAUTION (FR)	1		
22	87519-Z4H-000	MARK, OP-CAUTION (PICTO)	1		
23	87539-Z4M-810	MARK, EX. CAUTION (FR)	1		
24	87539-Z4M-800	MARK, EX. CAUTION (PICTOGRAP	1		
25	87516-ZK6-800	MARK, OPERATOR CAUTION/CH	1		
31	89216-Z0T-800	WRENCH, SPARK PLUG	1	OJH	
32	89219-805-000	HANDLE, BOX WRENCH	1	OJH	

VIBRATING PLATE

4XX0

MVH-158

VIBRATING PLATE / 転圧盤関係

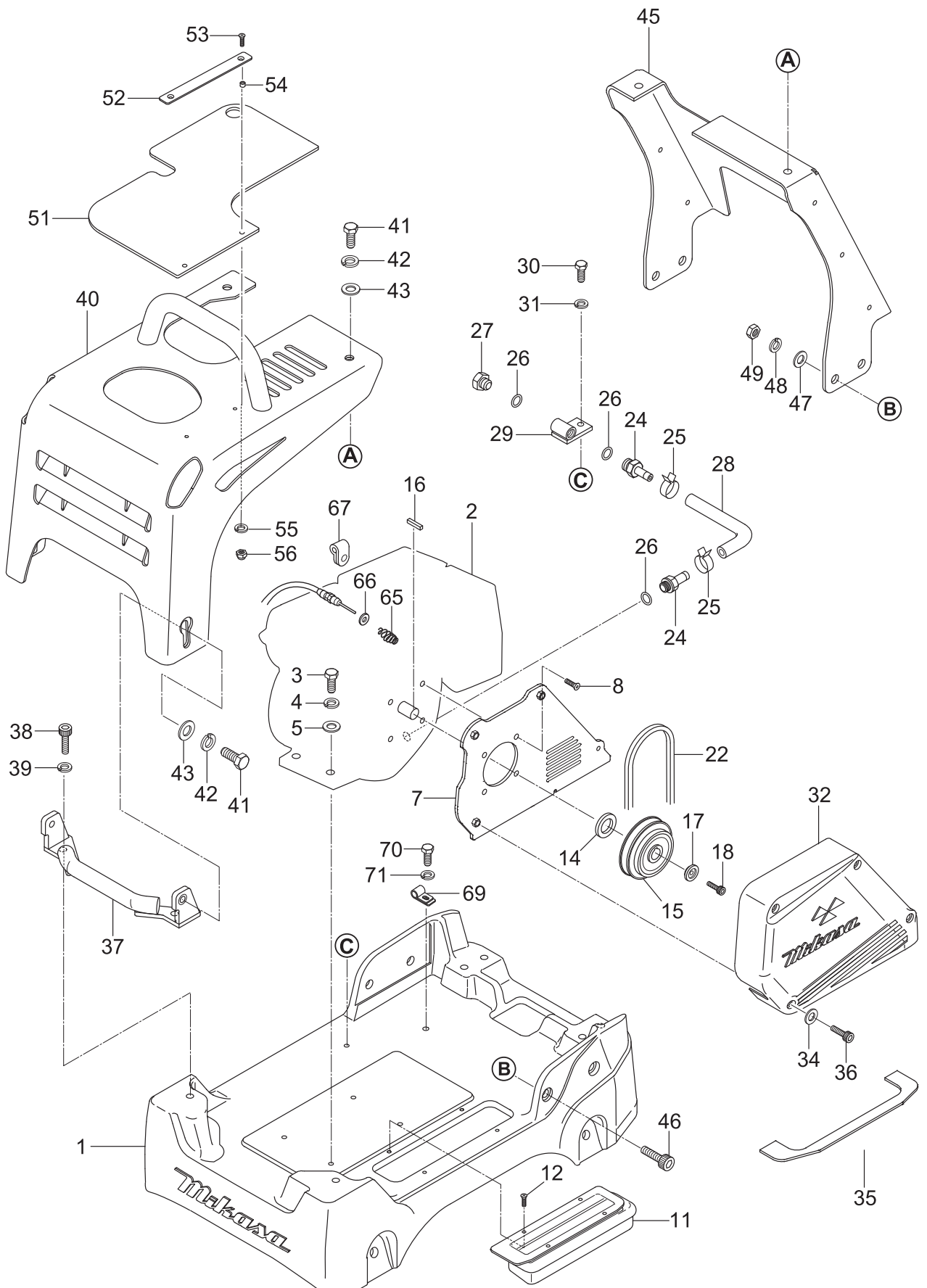


VIBRATING PLATE

NO.	PART/NO.	PartsName	Q' TY	MK2	REMARKS
1	4711-22120	VIBRATING PLATE /MVH-158	1		
2	9534-05270	PLUG 1/4X14 13L	1		
3	9534-05260	PACKING 1/4 (CU)	1		
4	9390-10470	SHOCK ABSORBER 75X50H(42)	4		
5	0203-12100	NUT M12	4		
6	0302-12300	SW M12	4		
7	0012-21230	BOLT 12X30 T	4		
8	0302-12300	SW M12	4		
9	4713-54550	COVER, VIBRATOR /MVH-158	1		
10	0507-10080	O-RING AS568-267	1		
11	0012-20820	BOLT 8X20 T	14		
12	0302-08200	SW M8	14		
13	0311-08160	PW M8	14		

MVH-158

BASE AND ENGINE (HONDA: GX200) / ベース&エンジン (ホンダ: GX200)



BASE AND ENGINE (HONDA:GX200)

NO.	PART/NO.	PartsName	Q' TY	MK2	REMARKS
1	4711-22110	BASE /MVH-158/OJH	1	OJH	
2	9122-20017	ENGINE /GX200 T2-SCM	1		JPN
2	9122-20016	ENGINE /GX200T2-SCM	1		EXP
3	0012-20840	BOLT 8X40 T	4		
4	0302-08200	SW M8	4		
5	0311-08160	PW M8	4		
7	4713-54600	BELT COVER, IN/GX200/158	1		
8	0091-20408	SUNK HEAD BOLT 8X20 T	4		
11	4712-19740	DUST COVER /MVH-158	1		
12	0920-06010	FLAT HEAD SCREW 6X10	4		
14	9524-09670	SPACER 20X25X10	1		
15	4583-37770	CLUTCH AY A1-124-20/MVH12	1		
16	90741-883-810	KEY 5X5X33	1		
17	4714-70090	CLUTCH WASHER /MVH-158	1		
18	0015-20825	SOCKET HEAD BOLT 8X25 T	1		
22	0701-00362	V-BELT A-36/RPF3360	1		
24	15550-ZK8-P90	DRAIN JOINT	2		
25	9540-10300	HOSE BAND 11.5D	2		
26	90601-ZE1-000	WASHER, DRAIN PLUG	3		
27	90131-ZE1-000	BOLT, DRAIN PLUG	1		
28	15552-ZB9-000	DRAIN HOSE	1		
29	4594-62050	JOINT/MVH-100, 150	1		
30	0012-20820	BOLT 8X20 T	1		
31	0302-08200	SW M8	1		
32	4711-22130	BELT COVER (OUT)/MVH-158	1		
34	0339-10220	WASHER (8.4X15.5X1.6)	4		
35	4713-54560	DUST SPONGE (OUT)/MVH-158	1		
36	0015-20851	SOCKET HEAD BOLT 8X55 T	4		
37	4713-54570	FRONT BUNPER /MVH-158	1		
38	0015-21235	SOCKET HEAD BOLT 12X35 T	2		
39	0302-12300	SW M12	2		
40	4711-22160	FRONT COVER, GX/MVH-158	1		
41	0012-21235	BOLT 12X35 T	4		
42	0302-12300	SW M12	4		
43	0311-12230	PW M12	4		
45	4712-19690	CENTER COVER, GX200/MVH158	1		
46	0015-21030	SOCKET HEAD BOLT 10X30 T	4		
47	0311-10160	PW M10	4		
48	0302-10250	SW M10	4		
49	0203-10080	NUT M10	4		
51	4714-70130	RUBBER COVER, UPPER/MVH158	1		
52	4714-70110	STOPPER, COVER/MVH-158	1		
53	0091-20424	SOCKET HEAD BOLT 6X25T	2		

BASE AND ENGINE (HONDA:GX200)

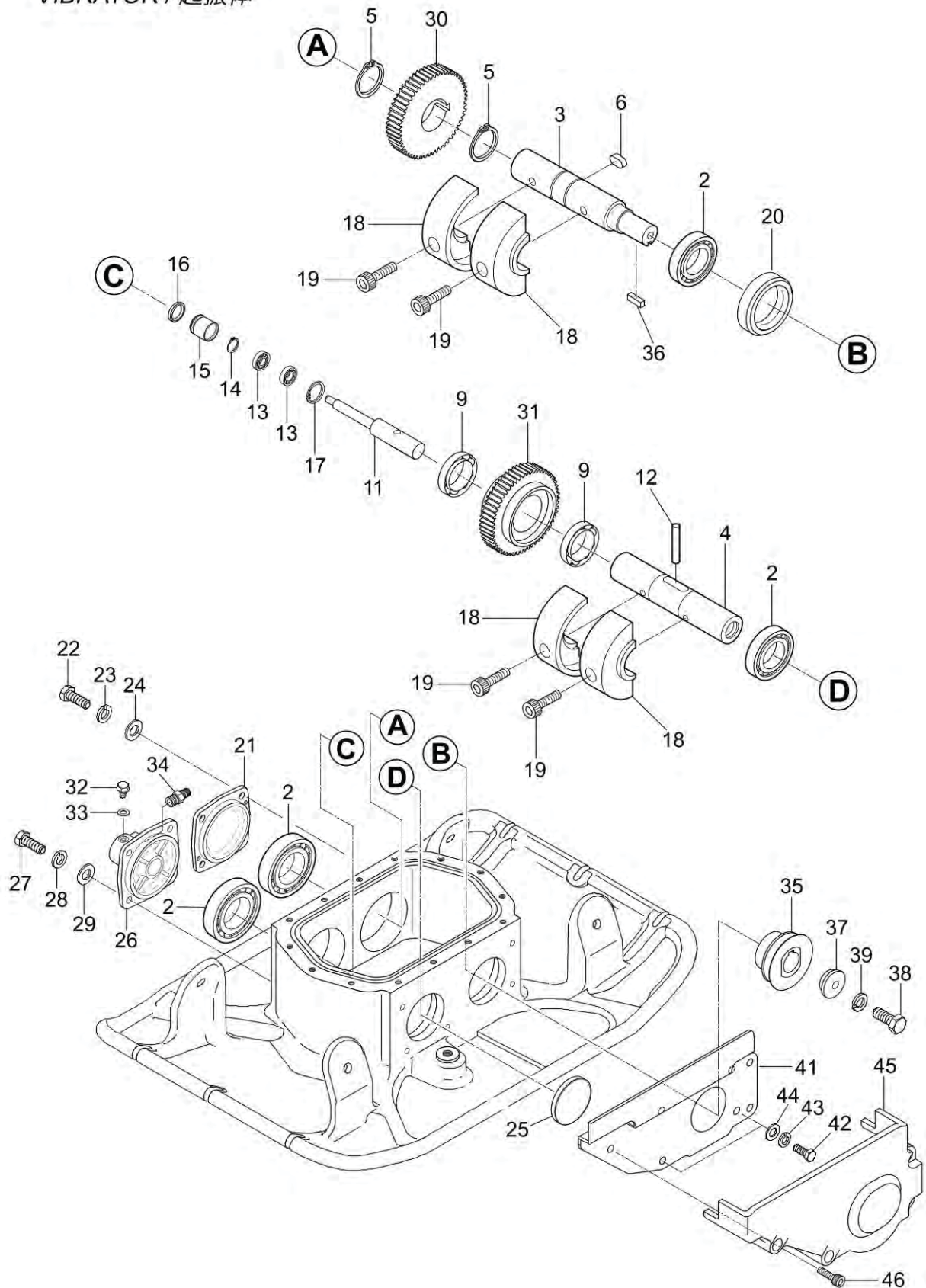
NO.	PART/NO.	PartsName	Q' TY	MK2	REMARKS
54	6174-65130	COLLAR 6. 2X7. 8X4. 5	2		
55	0302-06150	SW M6	2		
56	0227-10607	NYLON NUT M6	2		
65	3714-67760	RETURN SPRING /MT-76D	1		
66	0311-05080	PW M5	1		
67	206-75501-01	CLAMP COMPL	1	S!9544-09880	
69	9594-07260	CLIP D6 (FOR M10)	1		
70	0012-21015	BOLT 10X15 T	1		
71	0302-10250	SW M10	1		

VIBRATOR

4XZ0

MVH-158

VIBRATOR / 起振体

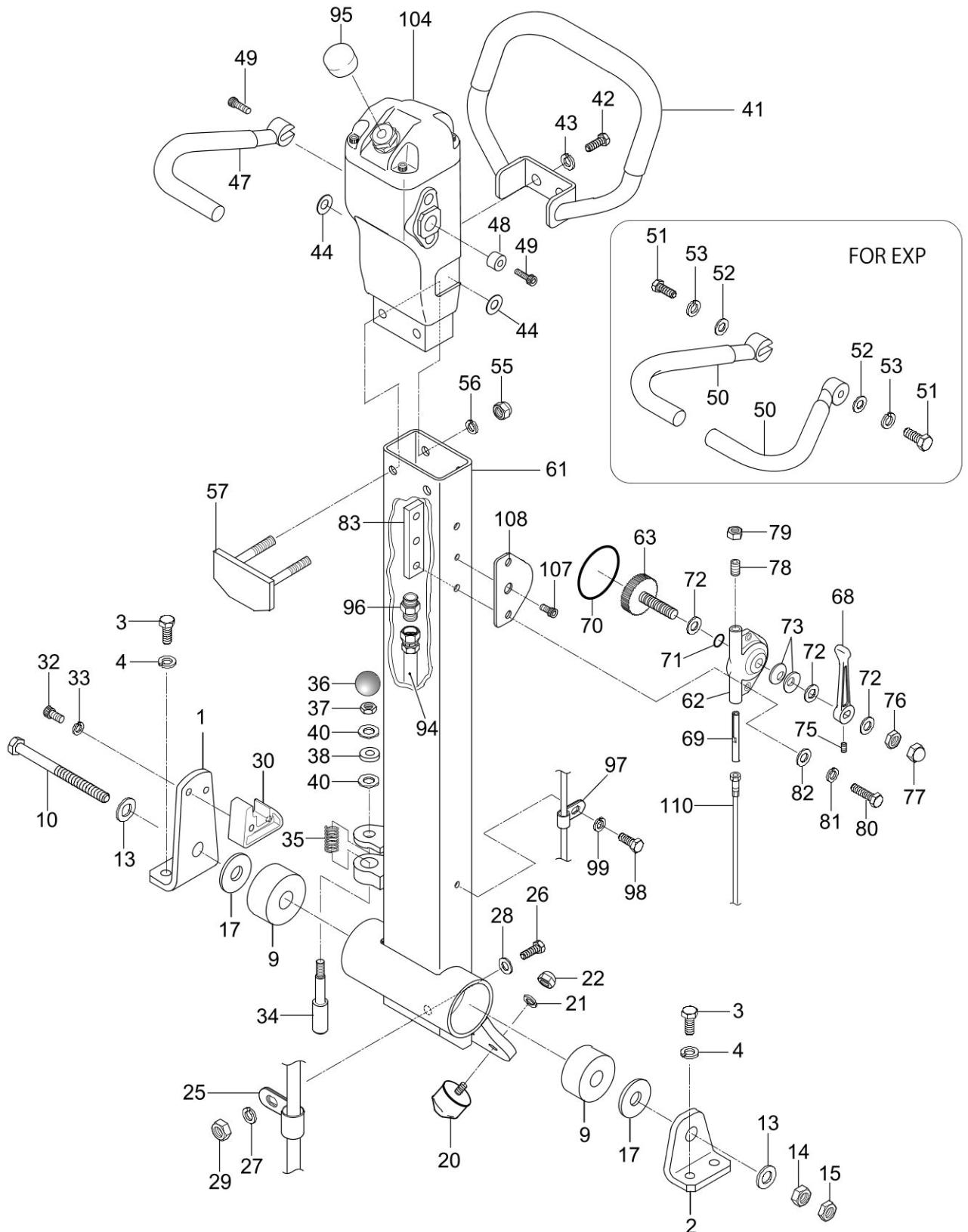


VIBRATOR

NO.	PART/NO.	PartsName	Q' TY	MK2	REMARKS
2	0479-20090	ROLLER BEARING NJ307MC4	4		
3	4713-54820	ROTARY SHAFT, DRIVE/158	1		
4	4713-54830	ROTARY SHAFT, DRIVEN/158	1		
5	0802-00350	STOP RING S-35	2		
6	9514-05460	KEY 10X8X19 RR	1		
9	0403-06907	BEARING 6907C3	2		
11	4593-46230	PISTON ROD /MVH-150	1		
12	0255-08050	PIN 8X50	1	SX	
13	0425-06000	BEARING 6000ZZSG	2		
14	0802-00100	STOP RING S-10	1		
15	4554-35051	PISTON, 22. 4D /MVH-200	1		
16	4550-10070	PACKING USH-22. 4X30X5	1		
17	0801-00260	STOP RING R-26	1		
18	4714-70150	ECCENTRIC ROTATOR/MVH-158	4		
19	0091-20306	SOCKET HEAD BOLT 10X30T	4		
20	0602-02060	OIL SEAL SC-28508	1		
21	4713-54540	BEARING COVER /MVH-158	1		
22	0012-20825	BOLT 8X25 T	4		
23	0302-08200	SW M8	4		
24	0311-08160	PW M8	4		
25	9530-10060	SEAL CAP SC50-8	1		
26	4712-19700	CYLINDER /MVH-158	1		
27	0012-20825	BOLT 8X25 T	4		
28	0302-08200	SW M8	4		
29	0311-08160	PW M8	4		
30	4713-54810	GEAR (DRIVE) /MVH-158	1		
31	4583-42590	GEAR (DRIVEN) /MVH-120, 150	1		
32	0012-20812	BOLT 8X12 T	1	SX	
33	9534-04600	COPPER PACKING 8. 2X16X1. 6	1	SX	
34	9540-10020	CONNECTOR PT, PF1/4	1		
35	4713-54620	PULLEY 87D /GX200/MVH-158	1		
36	9514-01920	KEY 7X7X30	1		
37	4714-70140	WASHER, PULLEY/MVH-158	1		
38	0012-20830	BOLT 8X30 T	1		
39	0302-08200	SW M8	1		
41	4713-54610	GUIDE, BELT COVER/MVH158	1		
42	0012-20820	BOLT 8X20 T	3		
43	0302-08200	SW M8	3		
44	0311-08160	PW M8	3		
45	4712-19680	BELT COVER, LOWER/MVH-158	1		
46	0015-20852	SOCKET HEAD BOLT 8X60 T	4		

MVH-158

OPERATION / 操作関係



OPERATION

NO.	PART/NO.	PartsName	Q' TY	MK2	REMARKS
1	4713-54640	HANDLE BRACKET (R) /MVH158	1		
2	4593-38030	HANDLE BRACKET (L) /MVH-150	1		
3	0012-21230	BOLT 12X30 T	4		
4	0302-12300	SW M12	4		
9	4704-68900	CUSHION RUBBER 16X50X30	2		
10	0012-21680	BOLT 16X200 T	1		
13	0311-16260	PW M16	2		
14	0203-16130	NUT M16	1		
15	0204-16100	NUT M16, H=10	1		
17	9524-09690	WASHER 17X45X4.5	2		
20	9390-10490	STOPPER RUBBER 38X20H/158	2		
21	0302-08200	SW M8	2		
22	0221-30806	CAP NUT M8	2		
25	9594-08930	CLIP 15 (M6) /MVH-308	1		
26	0012-20625	BOLT 6X25 T	1		
27	0302-06150	SW M6	1		
28	0311-06100	PW M6	1		
29	0203-06050	NUT M6	1		
30	4713-54710	HANDLE ROCK STOPPER/158	1		
32	0015-20825	SOCKET HEAD BOLT 8X25 T	2		
33	0302-08200	SW M8	2		
34	4714-70170	STOPPER, HANDLE/MVH-158	1		
35	4714-70180	SPRING, STOPPER/MVH-158	1		
36	9594-03460	BALL GRIP 32D-M10	1		
37	0204-10060	NUT M10, H=6	1		
38	4564-49980	RUBBER PACKING 9D-20D-5T	1		
40	0311-10160	PW M10	2		
41	4582-14400-GR	HANDLE GRIP (EXP)-GR /MVH-120	1		JP/GR
41	4582-14400-GR	HANDLE GRIP (EXP)-GR /MVH-120	1		EXP/GR
41	4582-14409-OR	HANDLE GRIP (EXP)-OR /MVH-120	1		EXP/OR
42	0012-20820	BOLT 8X20 T	2		
43	0302-08200	SW M8	2		
44	9524-09970	WASHER 13.5X28X1 (BRASS)	2		C1036-
47	4593-37960-GR	TRAVEL LEVER-GR/MVH-150	1	SXY	JPN/GR
47	4593-37960-GR	TRAVEL LEVER-GR/MVH-150	1	SXY	EXP/GR
47	4593-37969-OR	TRAVEL LEVER-OR/MVH-150	1	SXY	EXP/OR
48	4584-51420	COLLAR /MVH-120	1	SX	JPN
49	0015-20820	SOCKET HEAD BOLT 8X20 T	2		JPN
50	4713-54800	LEVER, TRAVEL (LOOP) /MVH158	2		EXP
51	0012-20830	BOLT 8X30 T	2		EXP
52	0311-08160	PW M8	2		EXP
53	0302-08200	SW M8	2		EXP
55	0227-10809	NYLON NUT M8	2		

OPERATION

NO.	PART/NO.	PartsName	Q' TY	MK2	REMARKS
56	0302-08200	SW M8	2		
57	4583-37480	PUMP HOLDER /MVH-120	1	SXY	
61	4711-22170	HANDLE BAR /MVH-158	1		
62	3623-41550	THROTTLE BODY /MT-55	1		
63	3629-10090	THROTTLE, GEAR CP, W/BOLT	1		
68	3624-55630	THROTTLE LEVER /MT-55	1		
69	3624-55620	SLIDER /MT-55	1		
70	0501-00450	O-RING G-45	1		
71	0502-00100	O-RING P-10	1		
72	0311-10160	PW M10	3		
73	0321-10180	CONICAL SPRING WASHER M10	2		
75	0962-06006	SOCKET HEAD SCREW 6X6	1		
76	0204-10060	NUT M10, H=6	1		
77	0221-31008	CAP NUT M10	1		
78	0962-08020	SOCKET HEAD SCREW 8X20	1		
79	0204-08050	NUT M8, H=5	2		
80	0012-20625	BOLT 6X25 T	2		
81	0302-06150	SW M6	2		
82	0311-06100	PW M6	2		
83	4634-55960	THROTTLE NUT /MVH-R60	1		
94	9540-02850	OIL HOSE 985L /MVH-120V	1		
95	4584-51630	BREATHER CAP/ MVH-100/150	1		
96	9540-03150	MALE CONNECTOR, O-RING 1/4	1		
97	206-75501-01	CLAMP COMPL	1	S!9544-09880	
98	0012-20615	BOLT 6X15 T	1		
99	0302-06150	SW M6	1		
104	4592-19610	HAND PUMP /MVH-150	1		
107	0015-20510	SOCKET HEAD BOLT 5X10 T	1		
108	4634-55950	SPACER, THROTTLE /MVH-R60	1		
110	9561-00076	THROTTLE WIRE 1235-1335G	1		

ELECTRIC DEVICE (JAPAN MODEL)

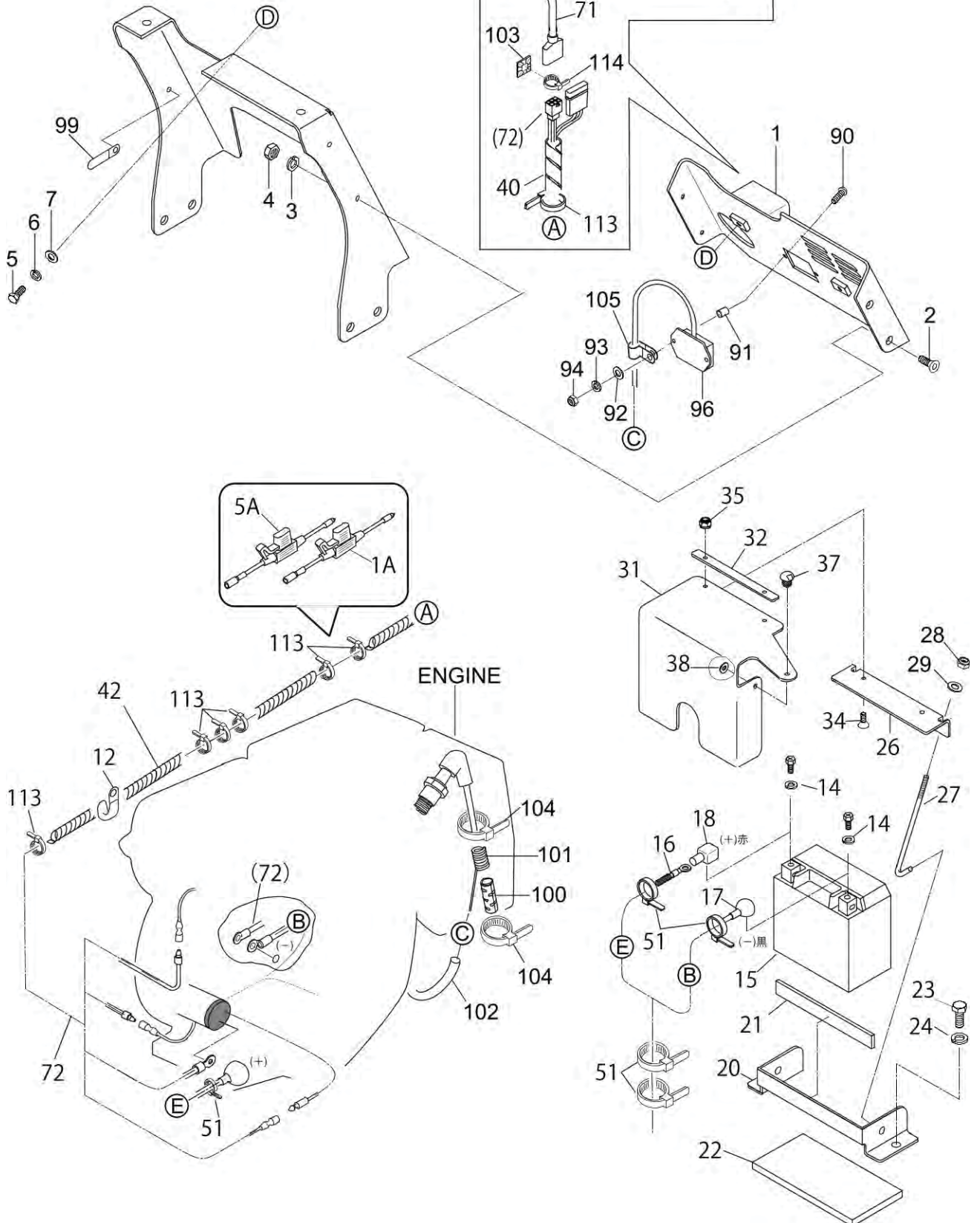
4YB0

MVH-158 HS (JAPAN MODEL)

(国内向け)

ELECTRIC DEVICE (HONDA: GX200)

/電装関係 (ホンダ: GX200)



ELECTRIC DEVICE (JAPAN MODEL)

NO.	PART/NO.	PartsName	Q' TY	MK2	REMARKS
1	4713-54770	REAR COVER / MVH-158HS	1		
2	0091-20414	SUNK HEAD BOLT 6X20	4		
3	0302-06150	SW M6	4		
4	0203-06050	NUT M6	4		
5	0012-20612	BOLT 6X12 T	2		
6	0302-06150	SW M6	2		
7	0311-06100	PW M6	2		
12	9544-06290	CLAMP (226-)	1		
12	9544-06290	CLAMP (226-)	1		
14	0302-06150	SW M6	2		
15	9550-10100	BATTERY YTX14-BS/MCD-RY14	1		
16	4594-66430	BATTERY CORD (+)/150GRS	1		
17	4713-55000	BATTERY CORD (-)/158HS	1		
18	9554-08410	TERMINAL COVER (+)	1		
20	4713-54660	BATTERY HOLDER/MVH-158	1		
21	4714-70210	PULYURETHANE SEAT/MVH-158	1		
22	4714-70220	PULYURETHANE SEAT-B/158	1		
23	0012-21020	BOLT 10X20 T	2		
24	0302-10250	SW M10	2		
26	4713-54670	HOLDER, BATTERY / MVH-158	1		
27	4714-70550	BATTERY BOLT / MVH-158	2		
28	0227-10607	NYLON NUT M6	2		
29	0311-06100	PW M6	2		
31	4714-70230	RUBBER PLATE, BATTERY/158	1		
32	4714-70240	STOPPER, RUB-PLATE/MVH-158	1		
34	0091-20421	SOCKET HEAD BOLT 5X15T	2		
35	0227-10506	NYLON NUT M5	2		
37	9534-09110	BRUSH CLIP /MVH-208	2		
38	0311-06100	PW M6	2		
40	9590-21828	SPIRAL TUBE 6D-700L	1		
42	9590-21810	SPIRAL TUBE KEP6/L=500	1		
51	5060-10070	CLAMP TC-150	5		
71	35100-768-S01	SWITCH AY, COMBINATION	1		
71-1	35110-736-612	KEY AY	1		
72	4713-54850	WIRE HARNESS AY/158GX	1		
72-1	4710-10010	FUSE (1A-SMALL)/MVH-158	1		
72-2	4710-10020	FUSE (5A-SMALL)/MVH-158	1		
90	0091-10072	PAN HEAD SCREW 5X35	2		
91	9524-07930	COLLAR 6X10X13.5	2		
92	0311-05080	PW M5	2		
93	0302-05130	SW M5	2		
94	0227-10506	NYLON NUT M5	2		
96	9550-10311	TP-22 TACHO/HOUR METER	1		
99	9544-06290	CLAMP (226-)	1		

ELECTRIC DEVICE (JAPAN MODEL)

NO.	PART/NO.	PartsName	Q' TY	MK2	REMARKS
99	9544-06290	CLAMP (226-)	1		
100	9550-10307	CLIP BELT/TP-22	1		
101	9550-10306	CURL CORD TP22/MT-55L	1		
102	9590-26838		1		
103	9554-07970	WIRING FIXED BASE/MVH-206	1		
104	5060-10070	CLAMP TC-150	2		
105	206-75501-01	CLAMP COMPL	1	S!9544-09880	
113	5060-10070	CLAMP TC-150	7		
114	5070-10110	CLAMP TC-200	1		

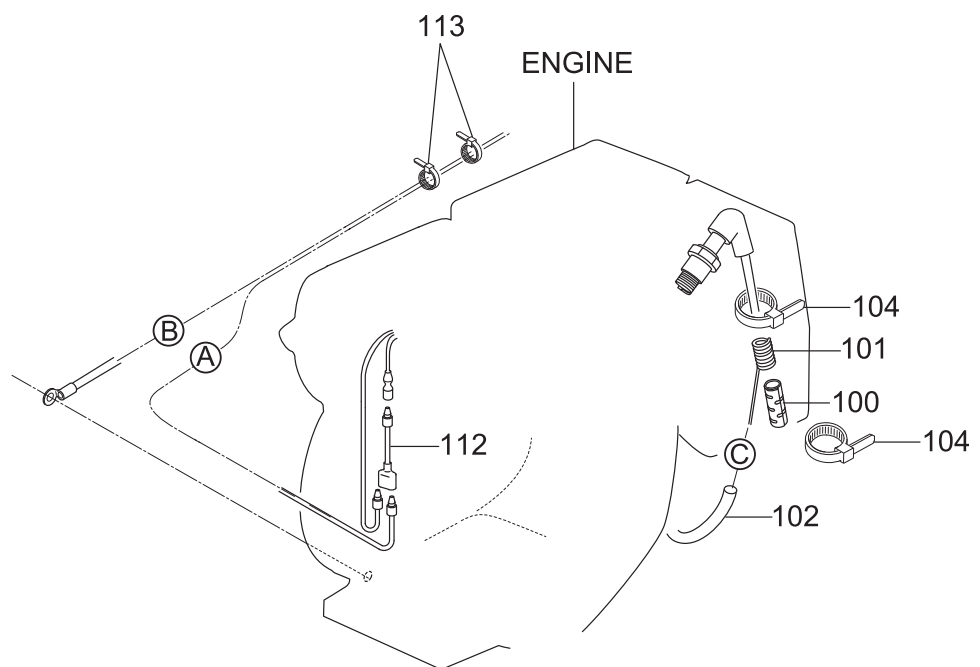
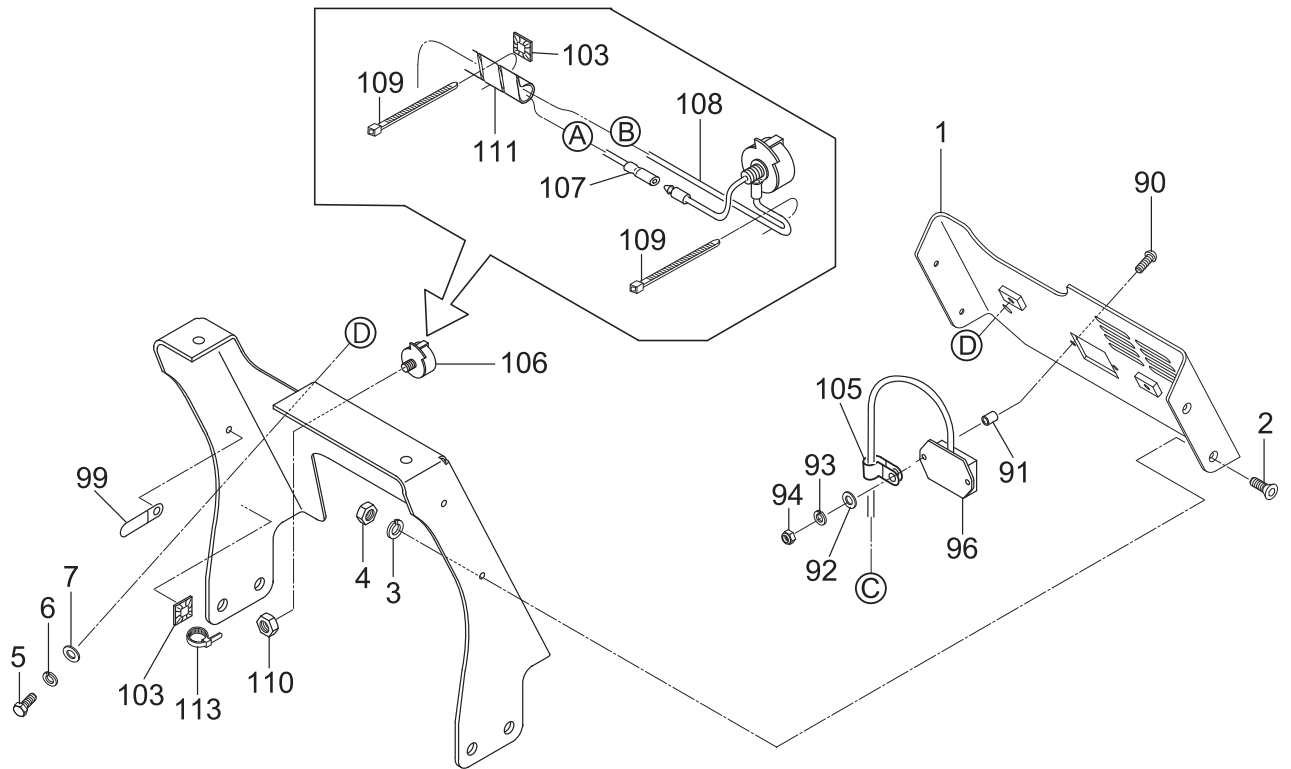
ELECTRIC DEVICE (EXP MODEL)

4YC0

MVH-158 GH

ELECTRIC DEVICE (HONDA: GX200)

/電装関係 (ホンダ: GX200)



ELECTRIC DEVICE (EXP MODEL)

NO.	PART/NO.	PartsName	Q' TY	MK2	REMARKS
1	4713-54650	REAR COVER/GX200/MVH158	1		
2	0091-20414	SUNK HEAD BOLT 6X20	4		
3	0302-06150	SW M6	4		
4	0203-06050	NUT M6	4		
5	0012-20612	BOLT 6X12 T	2		
6	0302-06150	SW M6	2		
7	0311-06100	PW M6	2		
90	0091-10072	PAN HEAD SCREW 5X35	2		
91	9524-07930	COLLAR 6X10X13.5	2		
92	0311-05080	PW M5	2		
93	0302-05130	SW M5	2		
94	0227-10506	NYLON NUT M5	2		
96	9550-10311	TP-22 TACHO/HOUR METER	1		
99	9544-06290	CLAMP (226-)	1		
99	9544-06290	CLAMP (226-)	1		
100	9550-10307	CLIP BELT/TP-22	1		
101	9550-10306	CURL CORD TP22/MT-55L	1		
102	9590-26838		1		
103	9554-07970	WIRING FIXED BASE/MVH-206	2		
104	5060-10070	CLAMP TC-150	2		
105	206-75501-01	CLAMP COMPL	1	S!9544-09880	
106	9553-01010	STOP SWITCH, ENGINE/MVH308	1		
107	4684-67570	READ CORD (1300L) /MVH408GH	1		
108	4674-66980	LEAD WIRE (SW-GROUND)	1		
109	4540-10020	CLAMP TC-100	1		
110	0229-10340	LOCK NUT U-M8/THIN	1		
111	9590-21827	SPIRAL TUBE 6D-950L	1		
112	5154-50380	WIRE HARNESS /MRH-600, 700	1	SX	
113	5060-10070	CLAMP TC-150	4		

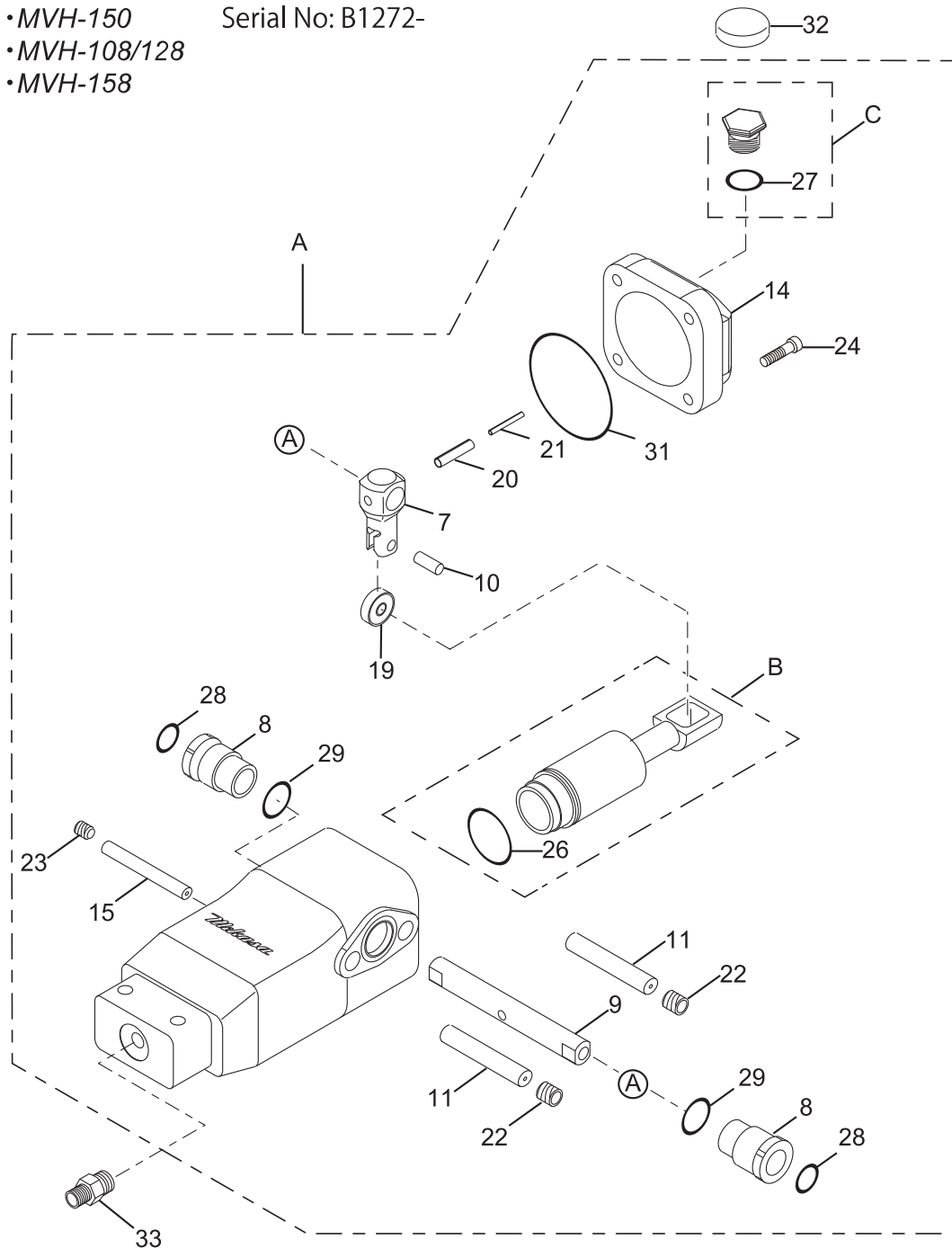
HAND PUMP AY

MVH-100A, 150, 108/128, 158

4XJ0

HAND PUMP AY / ハンドポンプAY

- MVH-100A Serial No: B1353-
- MVH-150 Serial No: B1272-
- MVH-108/128
- MVH-158



HAND PUMP AY

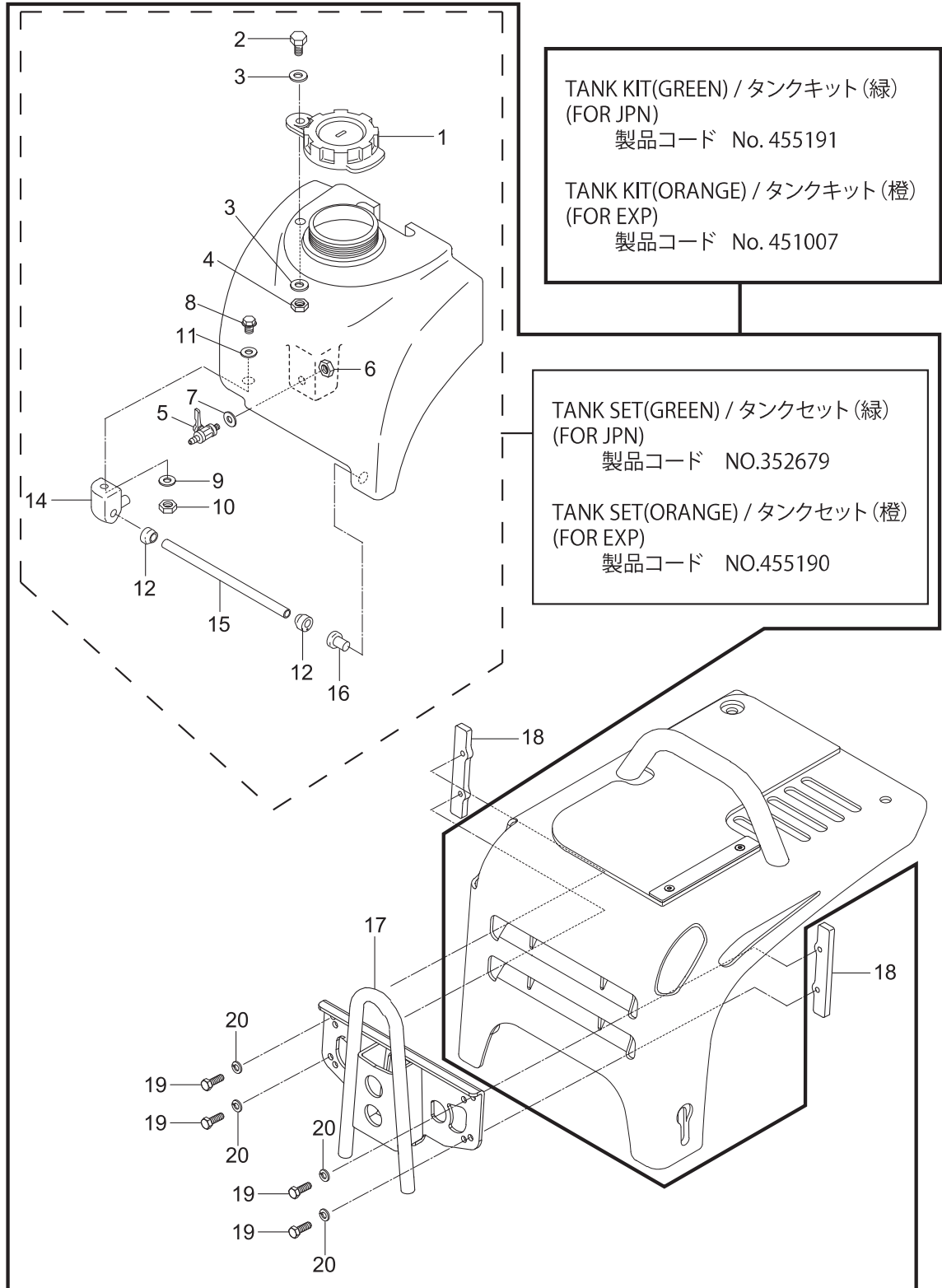
NO.	PART/NO.	PartsName	Q' TY	MK2	REMARKS
A	4592-19610	HAND PUMP /MVH-150	1		
B	4599-10100	CYLINDER, SPOOL AY	1		
C	4709-10010	BREATHER AY/MVH-208	1		INCL. 27
7	4594-69370	CONTROL ARM/150	1		
8	4594-69380	BUSH/MVH-150	2		
9	4594-69390	CONTROL, SHAFT (PUMP) /MVH-150	1		
10	4704-68940	PIM 7X18, PUMP/MVH-208	1		
11	4594-69410	STOPPER PIN(11X65)	2		
14	4592-19620	COVER (HAND PUMP/MVH-150	1		
15	4594-69420	PIN 8x68	1		
19	0403-00627	BEARING 627/MC3	1		
20	0254-06028	SPRING PIN 6X28	1		
21	0254-03528	SPRING PIN 3.5X28	1		
22	5050-15380	PLUG PT1/4	2		
23	5060-10160	SOCKET HEAD PLUG 1/8	1		
24	0015-20625	SOCKET HEAD BOLT 6X25 T	4		
26	0503-00340	O-RING S-34	1		
27	0502-00180	O-RING P-18	1		
28	0502-10150	O-RING P-15-1B	2		
29	0502-00200	O-RING P-20	2		
31	0503-00670	O-RING S-67	1		
32	4584-51630	BREATHER CAP/ MVH-100/150	1		
33	9540-03150	MALE CONNECTOR, O-RING 1/4	1		

WATER TANK ASSY

4YD0

MVH-158

WATER TANK ASSY / 散水タンク



WATER TANK ASSY

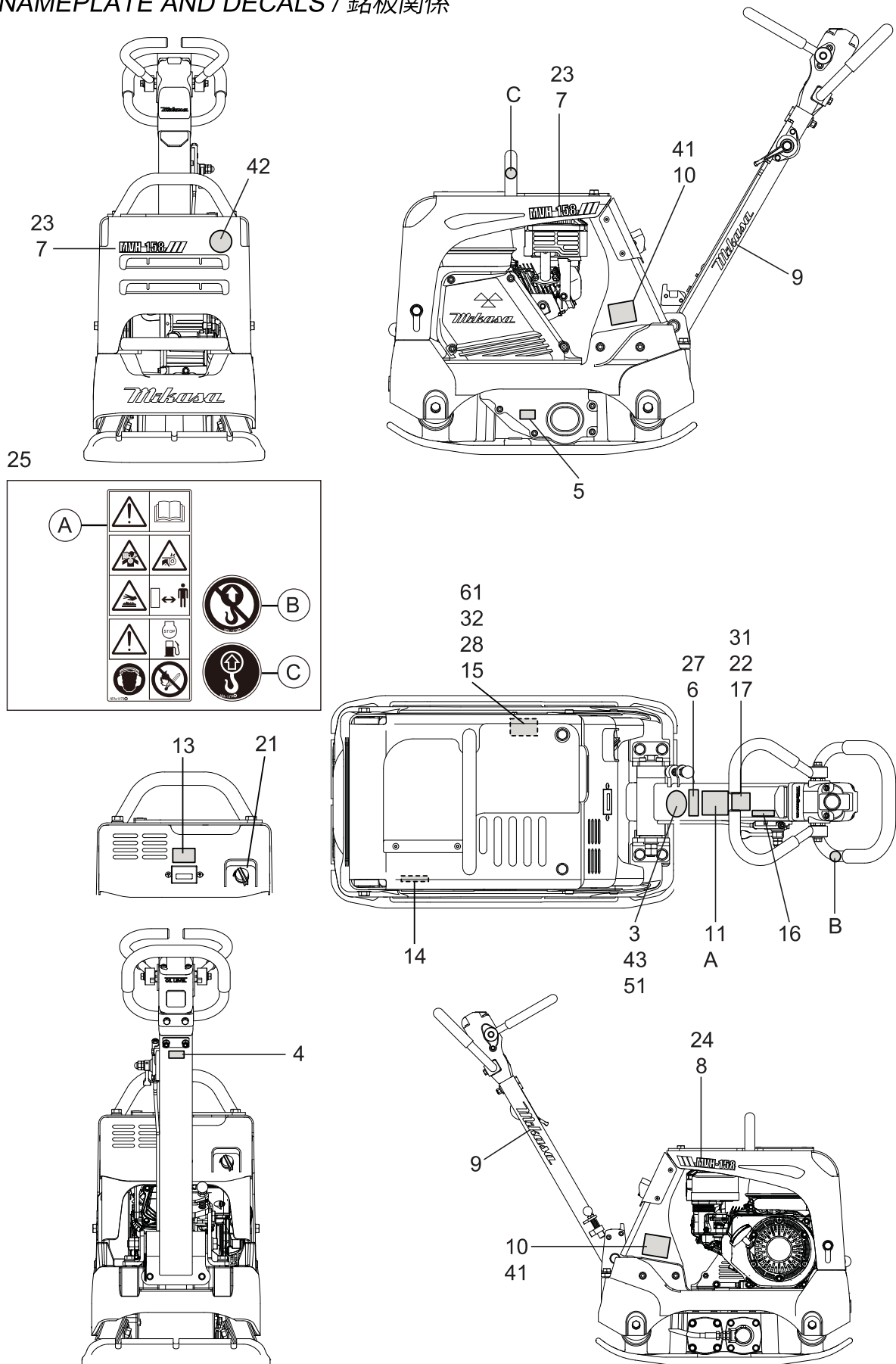
NO.	PART/NO.	PartsName	Q' TY	MK2	REMARKS
1	9543-00342	CAP, WATER TANK (NBR)	1	S!9543-00343	
2	0012-41030	BOLT 10X30 U	1		
3	0339-10160	PW M10 (SUS)	2		
4	0229-10270	NUT M10 (SUS)	1		
5	9544-03241	COCK PT1/4, BH-1211 (AL)/R	1		
6	9594-03790	NUT PS-1/4	1		
7	9534-08270	PACKING 11.5X19.5X1	1		
8	0017-40825	FLANGE BOLT 8X25 (SUS)	1		
9	0339-10110	PW M8 (SUS)	1		
10	0203-08064	NUT M8 (SUS)	1		
11	9534-07410	PACKING, 8X15X2T	1		
12	4184-57890	RUBBER (SPRINKLINK)	2		
14	4163-38940	PIPE HOLDER (L) /MVC-88	1	SX	
15	4183-44110	SPRINKLING PIPE	1		
16	4184-57010	RUBBER CAP / MVC-F60, F70	1		
17	4712-19750	BRACKET, WATER TANK /158	1		
18	4714-70360	MOUNT NUT/MVH-158	2		
19	0012-20825	BOLT 8X25 T	4		
20	0302-08200	SW M8	4		

NAMEPLATE AND DECALS

4YF0

MVH-158

NAMEPLATE AND DECALS / 銘板関係



NAMEPLATE AND DECALS

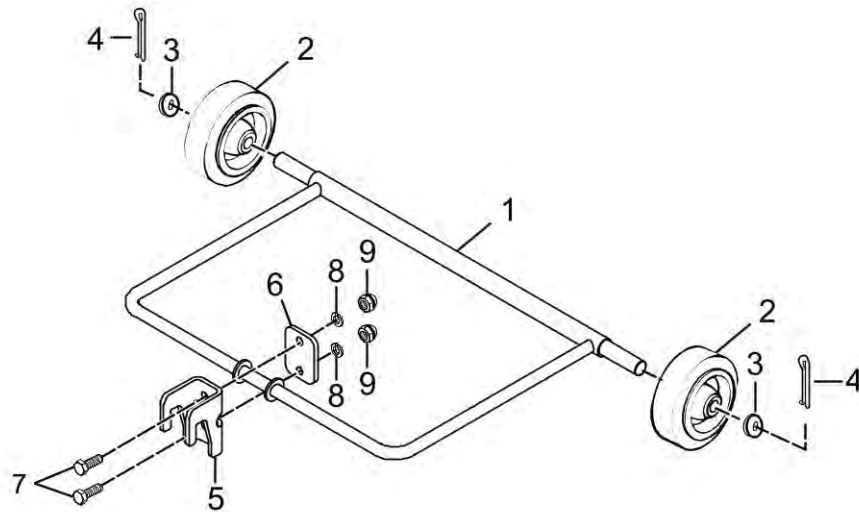
NO.	PART/NO.	PartsName	Q' TY	MK2	REMARKS
3	9202-03330	EAR PROTECTION LABEL	1		MQ
4	9202-11090	DECAL, SHELL TELLUS OIL 32	1		JPN/MQ
5	9202-01950	DECAL, OIL SAE 10W-30	1		JPN/MQ
6	9202-14100	DECAL, E/G FIRE WARNING	1		MQ
7	9202-20520	DECAL, MODEL (R, OR) /MVH-158	2		MQ/EXP
8	9202-20530	DECAL, MODEL (L, OR) /MVH-158	1		MQ/EXP
9	9202-17130	DECAL, MIKASA MARK (W) 200L	2		
10	9202-20220	DECAL, MQ MARK 72X57	2		MQ
11	9202-18390	DECAL, CAUTION /MVH-308	1		MQ
13	9202-18130	DECAL, E/G RPM 3600	1		
14	9202-20490	DECAL, V-BELT RPF-3360	1		JPN/MQ
15	9202-20580	PLATE, SERIAL NO. /158GH/MQ	1		MQ
16	9202-11690	DECAL, LEVER OPERATION	1		JPN/MQ
17	9202-20810	DECAL, CAUTION (LEVER / 158	1		MQ
21	9201-06760	DECAL, STOP-RUN-START	1		JPN
22	9201-13170	DECAL, CAUTION (LEVER/158JP	1		JPN
23	9202-20540	DECAL, MODEL (R, GR) /MVH-158	2		JPN/EXP/IMER
24	9202-20550	DECAL, MODEL (L, GR) /MVH-158	1		JPN/EXP/IMER
25	9209-00110	DECAL, SET/MVH-MRH/EXP, EU	1		INCL, 27
27	9202-14760	DECAL, ENGINE HANDLING /GS	1		EXP/JP/GX
28	9202-21120	PLATE, SERIAL NO. /158HS/JP	1		JPN
31	9202-10310	DECAL, EC NOISE REQ. LWA107	1		EXP
32	9202-20600	PLATE, SERIAL NO. /158GH/5CE	1		EXP-5CE
41	9202-13050	DECAL, IMER 35X100 /MTX	2		IMER
42	9202-08540	DECAL, MARK (IMER)	1		IMER
43	9202-17240	DECAL, IMER, 3ANS GARANTIE	1		IMER
51	9202-20190	DECAL, HUTTER, 3ANS GARANTIE	1		HUTTER
61	9202-21910	PLATE SERIAL NO. /158GH/EXP	1		EXP

OPTION (MOVING CART)

4ZB0

MVH-108 / 128 / 158

MOVING CART (OPTION) / 移動車 (オプション)



OPTION (MOVING CART)

NO.	PART/NO.	PartsName	Q' TY	MK2	REMARKS
1	4723-55560	LOCOMOTION VEHICLE AXLE	1		
2	9593-00050	WHEEL 200X20XL55/MVH	2		
3	0311-20320	PW M20	2		
4	0252-03030	SPLIT COTTER PIN 3X30	2		
5	4713-54691	HOOK /LOCOMOTION VEHICLE	1		
6	4714-70280	BRACKET, FIXED SHAFT	1		
7	0012-21025	BOLT 10X25 T	2		
8	0302-10250	SW M10	2		
9	0221-31008	CAP NUT M10	2		