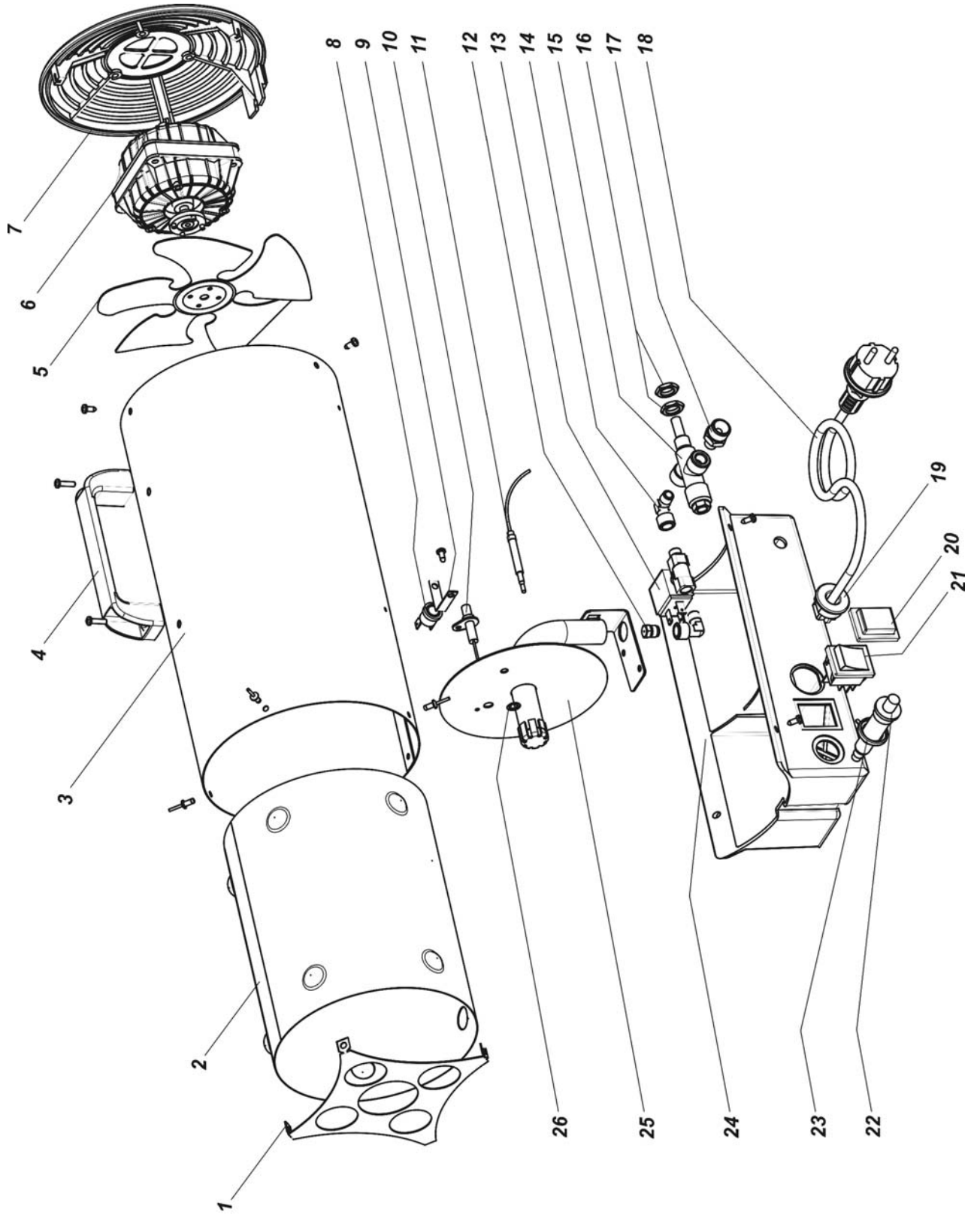


MODEL REM 10 M ILLUSTRATED PARTS BREAKDOWN



Spareparts REMINGTON REM 10 M

Pos.	Code NR	Description
1	4160.714	OUTLET GRID
2	4161.336	COMBUSTION CHAMBER
3	4160.918	YELLOW COVER RAL 1006
4	4160.715	PLASTIC HANDLE
5	4160.689	FAN Ø172 19°
6	4160.628	ELECTRIC MOTOR 29 W 230/50-60HZ IP44
7	4160.713	PLASTIC GRID
8	4160.636	SAFETY THERMOSTAT
9	4160.708	SUPPORT FOR THERMOSTAT
10	4160.707	IGNITION ELETTRICAL FOLDER
11	4160.654	INTERRUPTED THERMOCOUPLE
12	4160.746	GAS NOZZLE
13	4160.655	ELECTRO VALVE
14	4160.620	90° DEGREE ELBOW 1/8°
15	4160.653	SAFETY GAS VALVE
16	4160.701	RING NUT M12X0,75
17	4160.700	GAS INLET 3/8 M - 1/8 M
18	4160.733	ELECTRIC CABLE
19	4160.635	KEEPER WIRE DEVICE
20	4160.638	COVER SWITCH
21	4160.637	SWITCH
22	4160.641	PIEZO IGNITOR
23	4160.640	ADAPTER FOR PIEZO IGNITOR
24	4160.699	PLASTIC BASE
25	4160.702	GAS BURNER
26	4160.627	ELASTIC WASHER