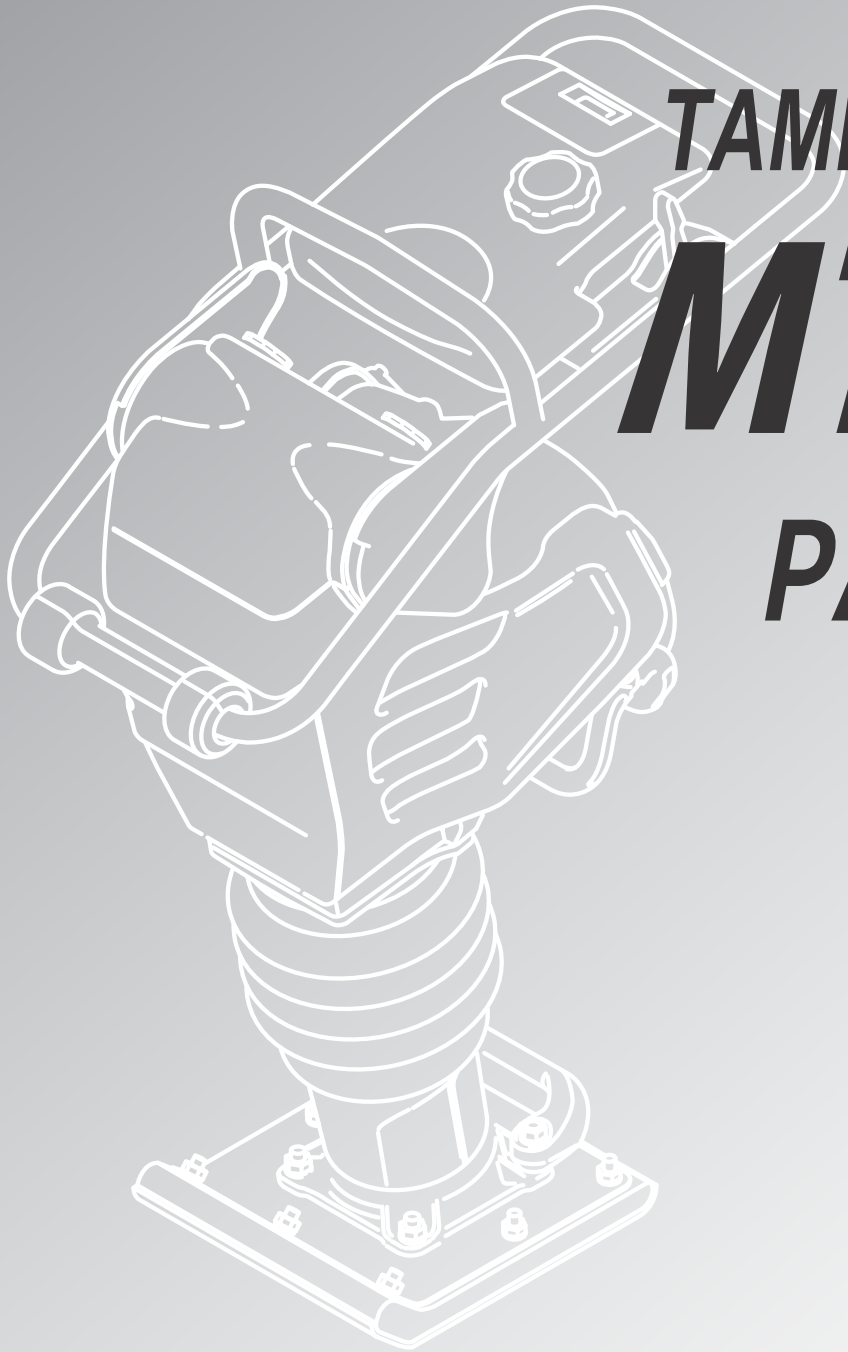


**Mikasa**



**TAMPING RAMMER**  
**MTX-60**  
**PARTS LIST**



**MIKASA SANGYO CO.,LTD.**

305-03605



# PARTS REMARK INDEX

## How to read the marks and remarks used in this parts book.

### Section 1 : Explanation of Code Use In “MRK” Column

OO : Interchangeable between the new part and the old one.

XX : Not Interchangeable between new and old.

OX : New part is usable for the old machine but the old part is not usable for the new machine.

XO : The old part is usable for the new machine but the new part is not usable for the old machine.

Note : In case of the lack of interchangeability between the new part and old part, a new part may be used by replacing all other parts found in the assembly. In this case, refer to section 2 for instruction on identifying other parts involved in a new assembly.

AD : Newly established(added)

DC : Suspended(discontinued)

NC : Part number changed

QC : Quantity used has been changed

NS : Not supplied individually but supplied in an assembly or a group.

AS : Special part designed to allow interchangeability between new and old part.

CR : Correction

### Section 2 : Items Found In “Remark” Column

Serial Numbers — Where indicated, this indicates a serial number range (inclusive) where a particular part is used.

Model Number — Where indicated, this shows that the corresponding part is utilized only with this specific model number or model number variant.

# or \* : All parts with the same number following # or \* belong to the same assembly. this part cannot be interchanged individually with any other assemblies to replace an old part (indicated by #), with a new part(indicated by \*), then all other parts of that assembly must be replaced with new ones.

Note : If more than one of the same reference number is listed, the last one listed indicates newest(or latest)part available.

### Section 3: Example

REF NO.	PART NO.	PART NAME	QTY	MRK	REMARKS
457(1)	5122-09230	Hinge Metal, Upper/24g	1		-1070 #3 (5)
457(2)	5072-09420	Hinge Metal, Upper M16	1	OX(3)	U1071-(6) *3(7)

(1) Old part

(2) New part

(3) New part usable with old machine, but old part not usable with new machine (reference section 1).

(4) Old part number is used through this machine serial number.

(5) Old part, used in an assembly with other parts marked with #3. To use this part on a new machine, all other parts in this assembly must be replaced with old ones.

(6) New part put into use starting with this serial number and is still current.

(7) New part used in an assembly with other parts marked \*3, to use this part as a replacement for an old part, all other \*3 marked parts must be changed at the same time.

### Section 4: Items Found In “MK2” Column

(only for suspended products)

! OO (“OO” is shown in figure) : The part shown in lower line is supplied.

! SD : Not available due to termination of production.

! NS : Not supplied individually, but supplied in an assembly or a group.

! PD : Supplied as unit product.

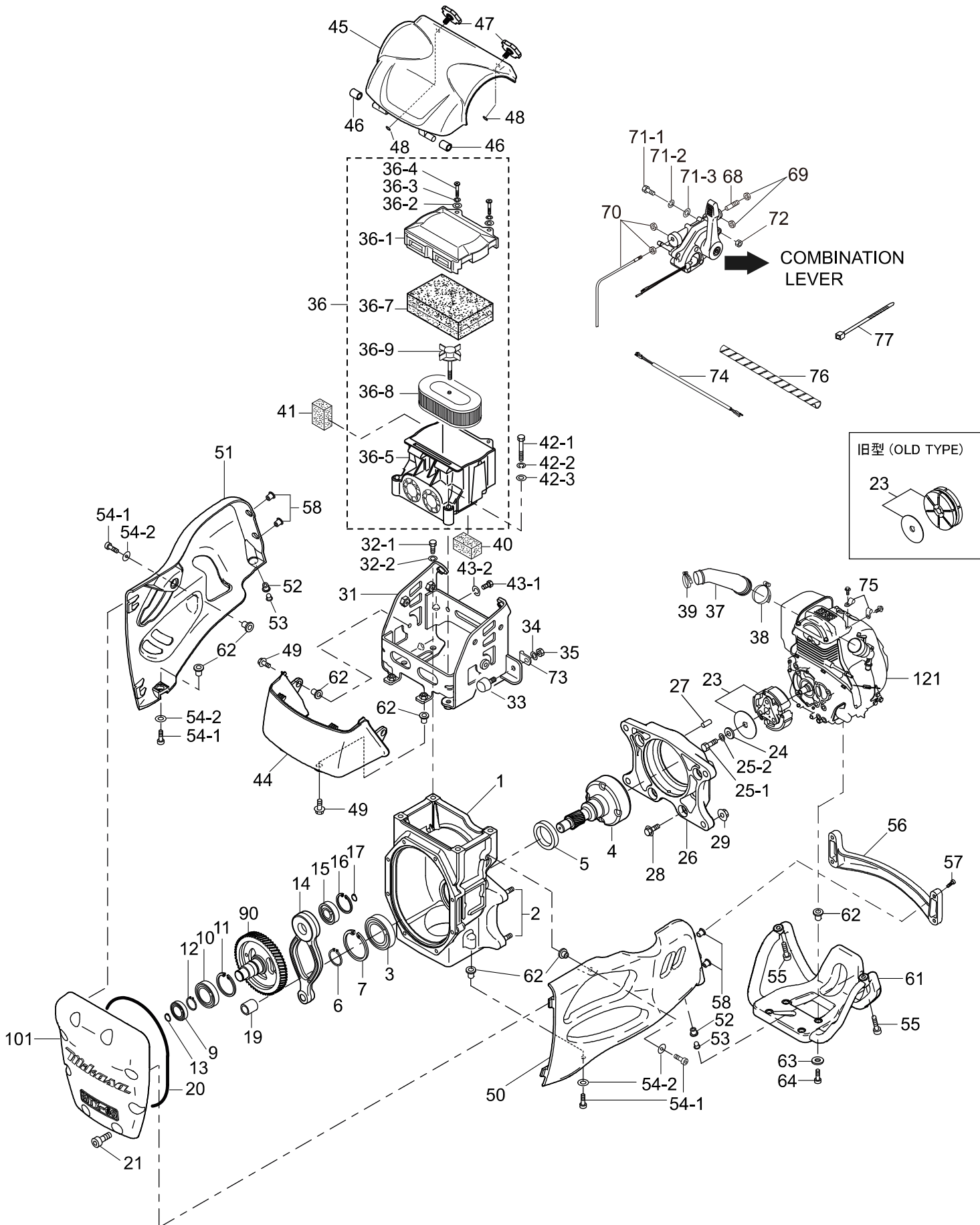
SS : Not available after stock run out.

(The contents of this parts catalog are subject to change without notice.)

MTX-60

3LN0

CRANK CASE,ENGINE / クランクケース、エンジン



## CRANK CASE, ENGINE

\*\* 3LN

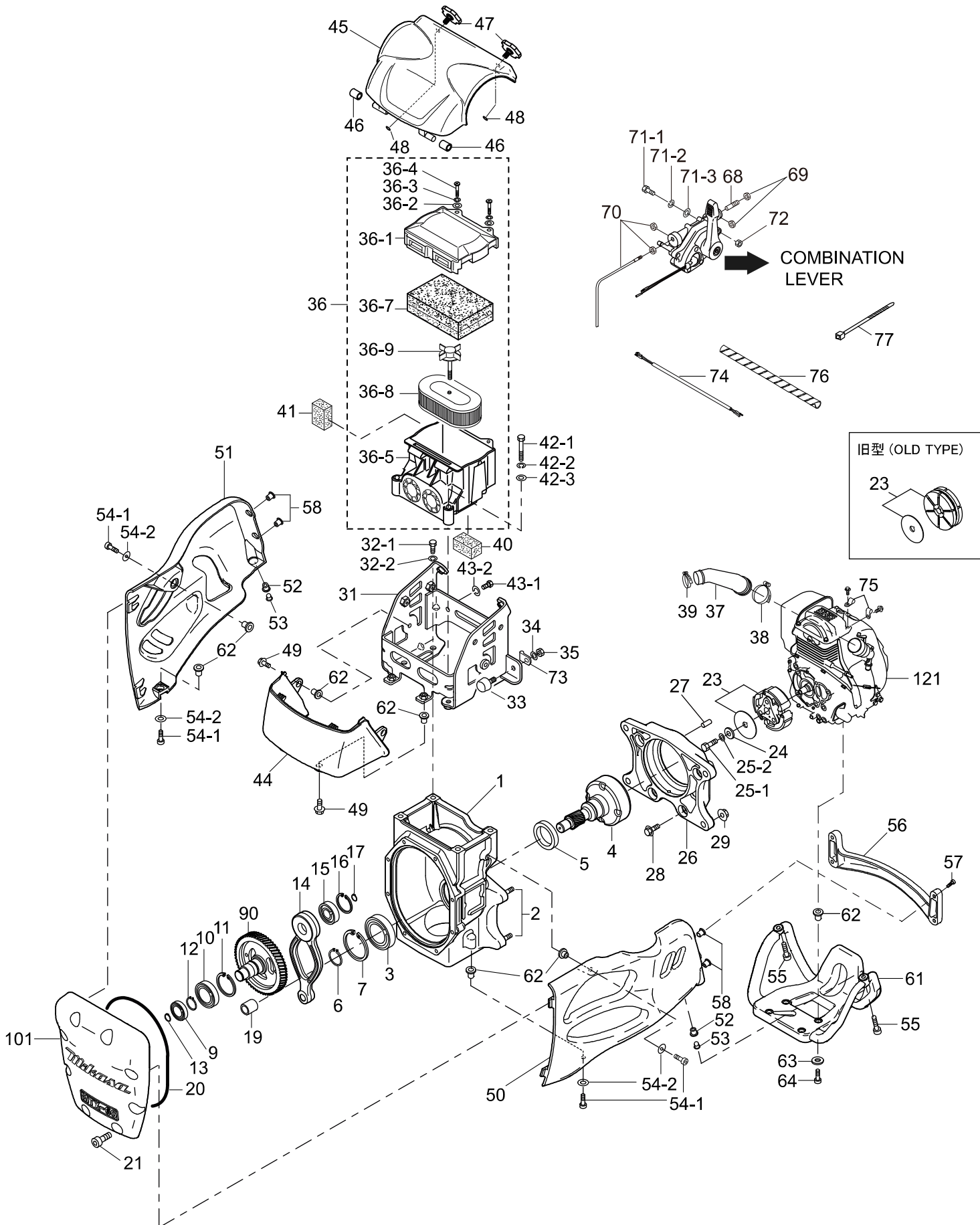
\*\*

REF NO.	PART NO.	PART NAME	Q' TY	MRK	MK2	REMARKS
1	3689-10010	CRANK CASE CP / MTX-60	1			INCL. 2
2	0091-20204	STUD BOLT 10X50X21T/21S	4			
3	0410-06007	BEARING 6007Z	1			
4	3683-47410	DRUM, PINION / MTX-60	1			
5	0604-04010	OIL SEAL TC-40528	1			
6	0802-00350	STOP RING S-35	1			
7	0801-00620	STOP RING R-62	1			
9	0400-06203	BEARING 6203	1			
10	0400-06305	BEARING 6305	1			
11	0801-00620	STOP RING R-62	1			
12	0802-00170	STOP RING S-17	1			
13	0802-00250	STOP RING S-25	1			
14	3683-47250	CONNECTING ROD / MTX-60	1			
15	0400-06304	BEARING 6304	1			
16	0801-00520	STOP RING R-52	1			
17	0802-00200	STOP RING S-20	1			
19	0479-40060	NEEDLE BEARING FJ-1816	1			
20	0507-10100	O-RING AS568-262	1			
21	0015-20825	SOCKET HEAD BOLT 8X25 T	8			
23	3663-46210	CLUTCH ASSY / MTX-70	1		SS!3663-48550	-S1810
23	3663-48550	CLUTCH ASSY (L) / MTX	1			S1811-
24	9524-01450	WASHER 8. 5X22X3	1			
25 -1	0012-20825	BOLT 8X25 T	1			
25 -2	0302-08200	SW M8	1			
26	3682-17640	FLANGE, ENGINE / MTX-60	1			
27	94303-06100	KNOCK PIN 6X10	2			
28	0017-10840	SOCKET HEAD BOLT 8X40 T	4			
29	0226-11010	FLANGE NUT M10 H	4			
31	3683-47490	BRACKET, SHOCK ABSORBER, 60	1			
32 -1	0012-11030	BOLT 10X30 H	4			
32 -2	0302-10250	SW M10	4			
33	9390-10270	STOPPER RUBBER ( 70 ) /MT	1			
34	0302-08200	SW M8	1			
35	0203-08060	NUT M8	1			
36	3669-00010	AIR CLEANER ASSY / MTX	1			
36 -1	3660-10010	AIR CLEANER COVER / MTX	1			
36 -2	3660-10020	PW M6 (6. 5X18X1. 5)	2			
36 -3	0302-06150	SW M6	2			
36 -4	3660-10040	COIN BOLT M6 /MTX	2		SX	
36 -5	3660-10050	BASE CP, AIR CLEANER/MTX	1			
36 -7	3660-10070	PRIMARY ELEMENT CP /MTX	1			
36 -8	3660-10080	SECONDARY ELEMENT/MTX	1			
36 -9	3620-30040	GRIP BOLT CP, AIR CLERNER	1			
37	3663-45470	PIPE, INTAKE / MTX-70	1			
38	9544-07681	CYCLONE CLAMP (CY-1) 45	1			
39	9544-07682	CYCLONE CLAMP (CY-1) 38	1			
40	3664-60160	SEALING FORM, UNDER / MTX	1			
41	3664-60150	SEALING FORM, SIDE / MTX	1			
42 -1	0012-20851	BOLT 8X55 T	2			
42 -2	0302-08200	SW M8	2			
42 -3	0311-08160	PW M8	2			
43 -1	0012-10815	BOLT 8X15 H	2			
43 -2	0302-08200	SW M8	2			
44	3682-17760	COVER, CLEANER (UNDER), 60	1			
45	3682-17750	COVER, CLEANER (UPPER), 60	1			
46	3664-60140	RUBBER BUSH (10X16X17)	2			
47	3663-45980	KNOB, CLEANER COVER / MTX	2			
48	0502-00060	O-RING P6	2			
49	0091-10040	FLANGE BOLT 8X20	4			
50	3681-19470	GUARD, LINK / MTX-60	1			
51	3681-19480	GUARD, MUFFLER / MTX-60	1			
52	0229-10260	WELL NUT M8	2			
53	3664-60170	FULANGE COLLAR 8	2			
54 -1	0015-20820	SOCKET HEAD BOLT 8X20 T	4			
54 -2	0339-10220	WASHER (8. 4X15. 5X1. 6)	4			

MTX-60

3LN0

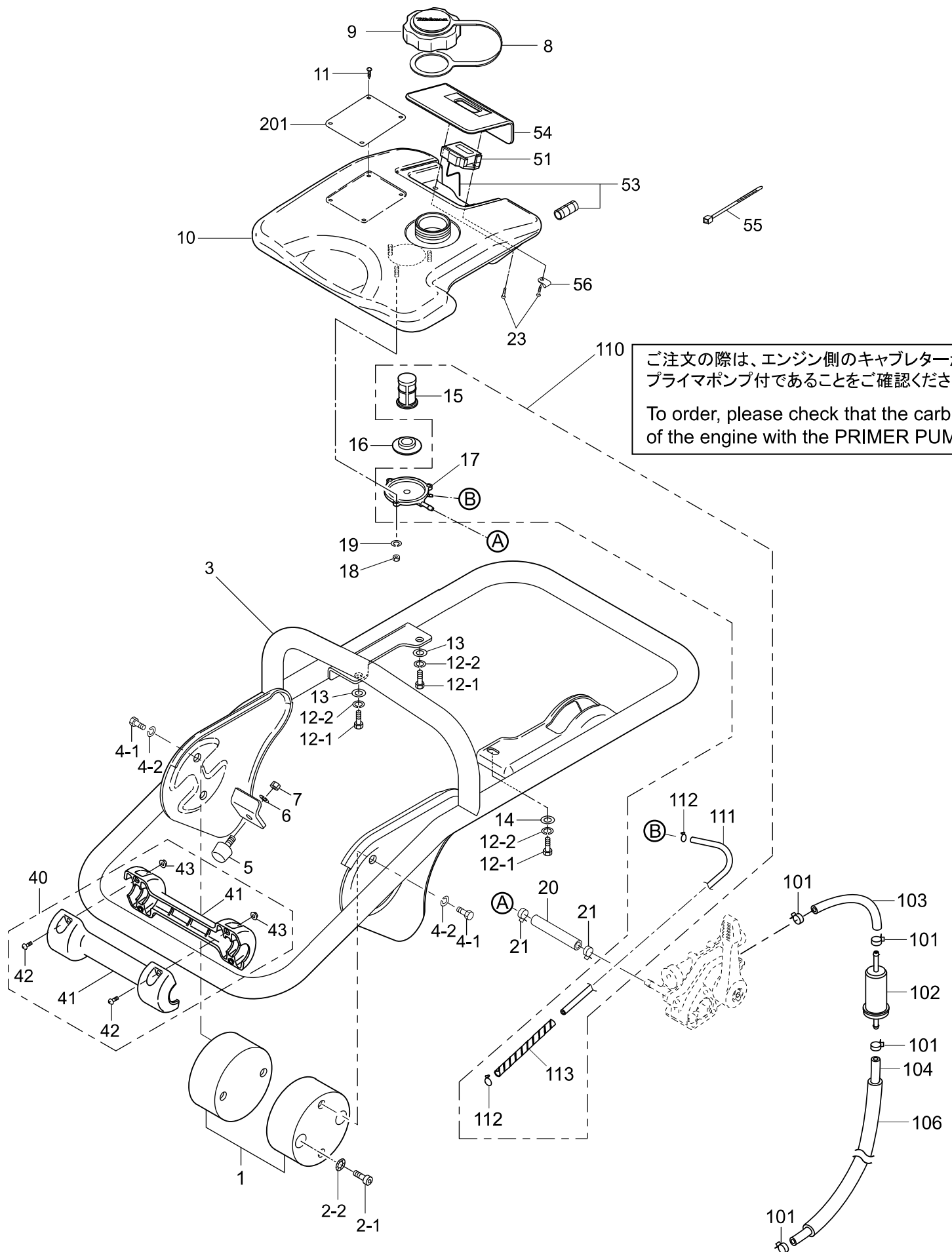
CRANK CASE,ENGINE / クランクケース、エンジン





# MTX-60 FUEL TANK, HANDLE

3L00



ご注文の際は、エンジン側のキャブレターが  
プライマポンプ付であることをご確認ください。  
To order, please check that the carburetor  
of the engine with the PRIMER PUMP.



**MTX-60**

2010/4/1

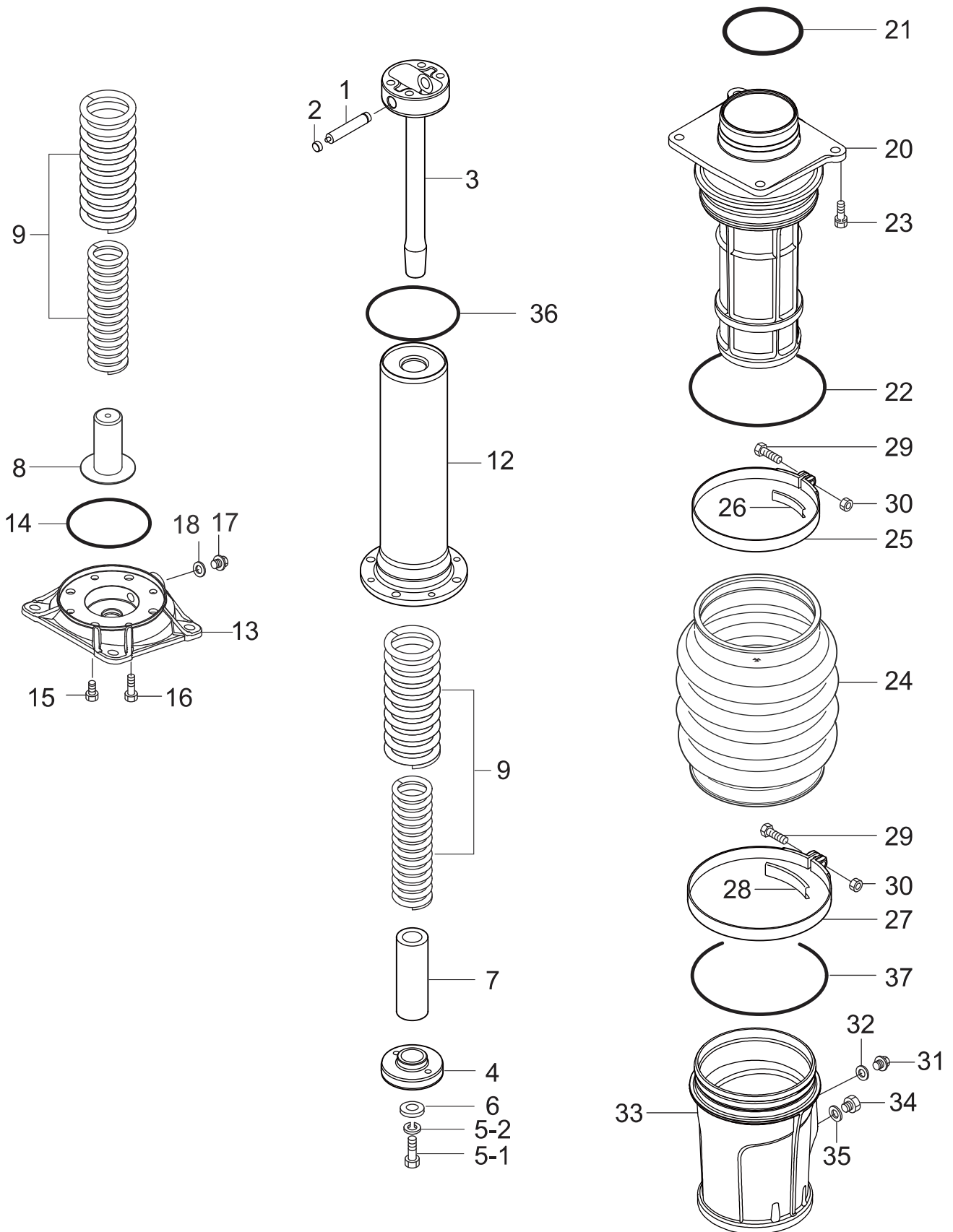
**FUEL TANK, HANDLE**

**\*\* 3LO \*\***

REF NO.	PART NO.	PART NAME	Q' TY	MRK	MK2	REMARKS
1	3683-47630	SHOCK ABSORBER W/PIN	2			
2 -1	0015-21020	SOCKET HEAD BOLT 10X20 T	4			
2 -2	0331-21009	TOOTHED LOCK WASHER B M10	4			
3	3681-19570	HANDLE / MTX-60	1			
4 -1	0012-11020	BOLT 10X20 H	4			
4 -2	0302-10250	SW M10	4			
5	9390-10270	STOPPER RUBBER ( 70 ) /MT	1			
6	0302-08200	SW M8	1			
7	0203-08060	NUT M8	1			
8	3660-10060	STRAP, TANK CAP	1			
9	3669-00020	CAP ASSY, FUEL TANK / MTX	1			INCL. 8
10	3681-19460	FUEL TANK 2L / MTX-60	1			
11	0940-10053	PAN HEAD SCREW 4X8	4			
12 -1	0012-10815	BOLT 8X15 H	3			
12 -2	0302-08200	SW M8	3			
13	9524-01450	WASHER 8. 5X22X3	2			
14	0311-08160	PW M8	1			
15	9593-00770	STRAINER #508 / MTX-70	1			#2 -T2216
15	9544-06010	STRAINER (#110)	1			*2 T2217-
16	3664-59790	PACKING, FUEL TANK /MTX-70	1			
17	3663-45280	HOLDER, FILTER	1			#2 -T2216
17	3663-49420	HOLDER FILTER W/V/MTX-70	1			*2 T2217-
18	0203-05040	NUT M5	3			
19	0302-05130	SW M5	3			
20	9590-26122	FUEL HOSE L=70 / MTX-70	1			
21	9544-06420	HOSE BAND 10. 5	2			
23	0091-10037	TAPPING SCREW 5X20	2			
40	3669-10030	ROLLER AY, W/SCREW/MTX	1			INCL. 41-43
41	3662-17170	ROLLER / MTX	2			
42	0910-05020	SCREW 5X20	4			
43	0226-10505	FLANGE NUT M5 H	4			
51	9550-10311	TP-22 TACHO/HOUR METER	1			
53	9550-10305	CURL CORD TP-22 / MTX	1			
54	3663-45620	FINISHER, METER / MTX	1			
55	4540-10020	CLAMP TC-100	5			
56	9540-10270	CLIP AB-3N	1			
101	9544-06420	HOSE BAND 10. 5	4			
102	16910-Z4E-S21	STRAINER, FUEL	1			
103	9590-26103	FUEL HOSE 5. 5X11. 5X80	1			
104	950014500150M	FUEL HOSE (1M)	1			L=330
106	950033600110M	TUBE, VINYL 11X13X1M	1			
110	3669-00060	PRIMER PUMP KIT/NO CARB	1			*2 T2217-
111	9590-28301	RETURN HOSE 3X6X600/MTX	1			*2 T2217-
112	9544-08170	HOSE CLIP 5	2			*2 T2217-
113	9590-21810	SPIRAL TUBE KEP6/L=500	1			*2 T2217-
201	9202-12910	DECAL, OPERATION	1			

MTX-60  
SPRING CYLINDER, GUIDE CYLINDER

3LP0



MTX-60

2010/4/1

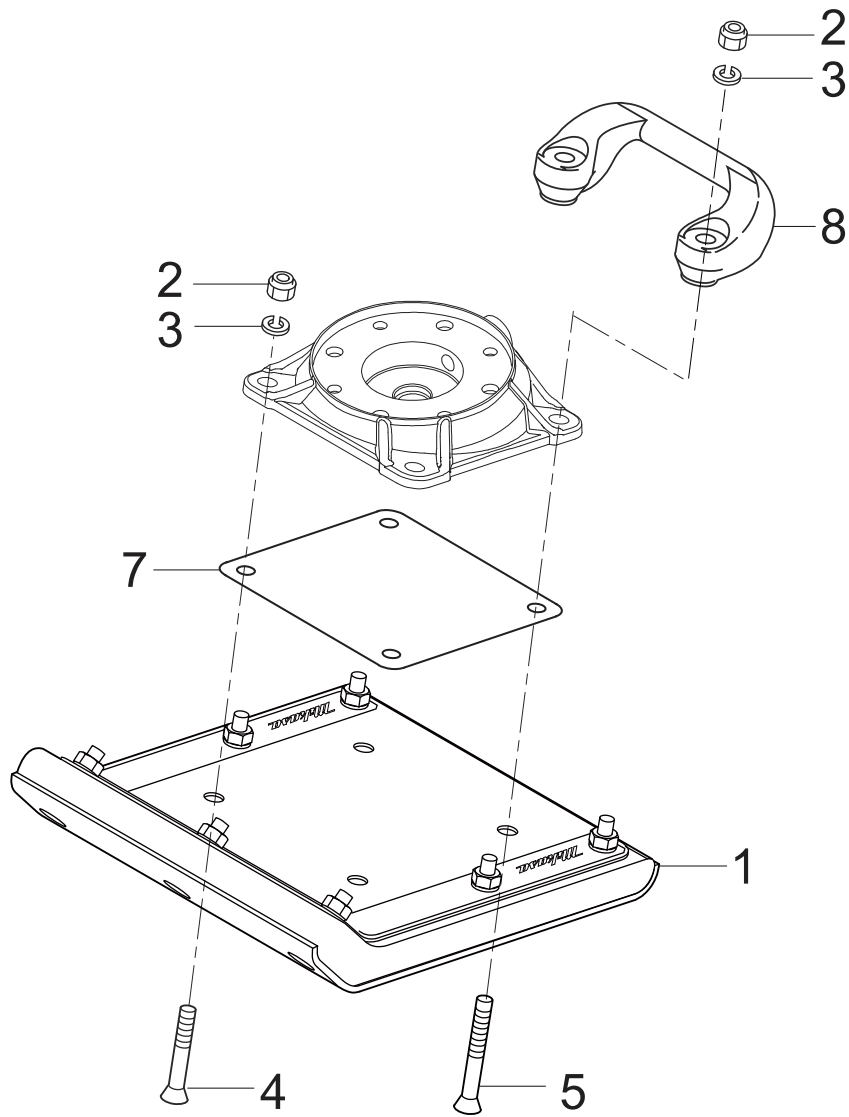
SPRING CYLINDER, GUIDE CYLINDER

\*\* 3LP \*\*

REF NO.	PART NO.	PART NAME	Q' TY	MRK	MK2	REMARKS
1	3684-61210	PISTON PIN / MTX-60	1			
2	3684-59920	PLUG, PISTON PIN / MTX-60	2			
3	3683-47290	PISTON ROD / MTX-60	1			
4	3684-61160	PISTON END / MTX-60	1			
5 -1	0011-21230	BOLT 12X30 T PL. 5	1			
5 -2	0302-12300	SW M12	1			
6	9524-04790	WASHER 13306	1			
7	3684-61260	STOPPER, LOWER /MTX-60	1			
8	3684-61200	STOPPER, BOTTOM / MTX-60	1		SX	
9	3684-61270	MAIN SPRING / MTX-60	2			
12	3683-47280	SPRING CYLINDER / MTX-60	1			
13	3682-17710	FOOT PLATE / MTX-60	1			
14	0501-00800	O-RING G-80	1			
15	0015-21020	SOCKET HEAD BOLT 10X20 T	4			
16	0015-20835	SOCKET HEAD BOLT 8X35 T	4			
17	9534-05270	PLUG 1/4X14 13L	1			
18	9534-05260	PACKING 1/4 (CU)	1			
20	3682-17720	GUIDE CYLINDER / MTX-60	1			
21	0501-00850	O-RING G-85	1			
22	0501-01150	O-RING G-115	1			
23	0022-11035	BOLT 10X35 H, SW	4			
24	3683-46180	BELLOWS, ORANGE / MTX-60	1			
25	3683-47520	BELLOWS CLAMP 131D/MTX60	1			
26	3684-61400	BAND GUIDE, 131D/MTX-60	1			
27	3683-47530	BELLOWS CLAMP 149D	1			
28	3684-61410	BAND GUIDE, 149D	1			
29	0012-20840	BOLT 8X40 T	2			
30	0203-08060	NUT M8	2			
31	9534-05270	PLUG 1/4X14 13L	1			
32	9534-05260	PACKING 1/4 (CU)	1			
33	3681-18970	PROTECTION SLEEVE/MTX-60	1			
34	3664-60300	OIL GAUGE ASSY / MTX	1			
35	9534-04670	COPPER PACKING 17X25. 5X1	1			
36	0502-00800	O-RING P-80	1			
37	0501-01300	O-RING G-130	1			

MTX-60  
FOOT

3LQ0



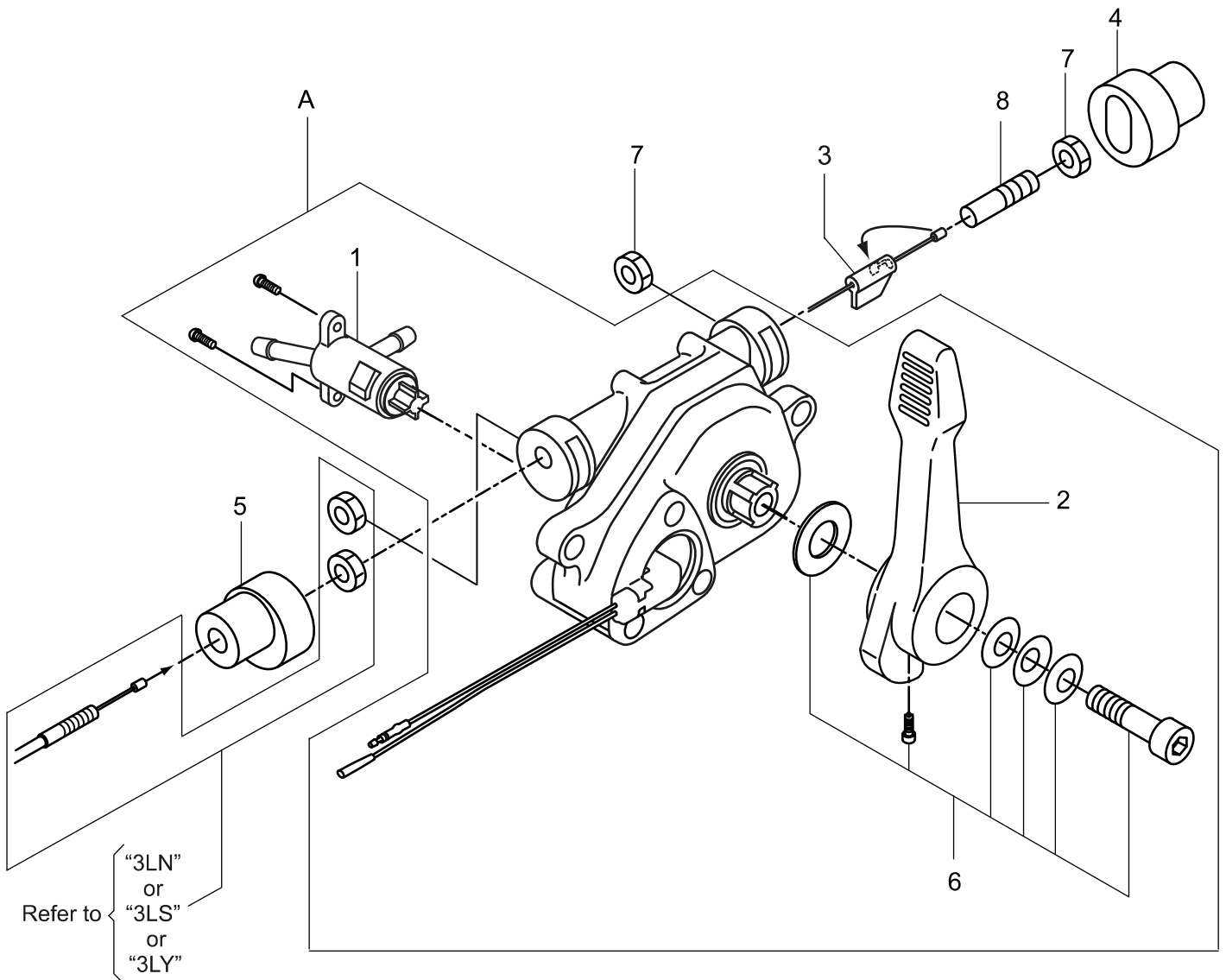


MTX-60 , 70 , 80 , 90

3LW0

COMBINATION LEVER / コンビネーションレバー

OLD (旧型)	NEW (新型)
MTX-60 : ~T2216	MTX-60 : T2217~
MTX-70 : ~T3432	MTX-70 : T3433~
MTX-80 : ~T1270	MTX-80 : T1271~
MTX-90 : ~T1092	MTX-90 : T1093~





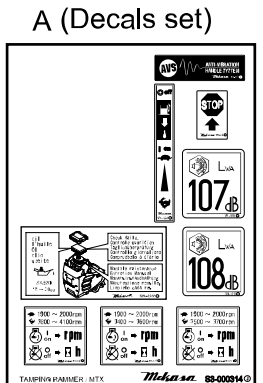
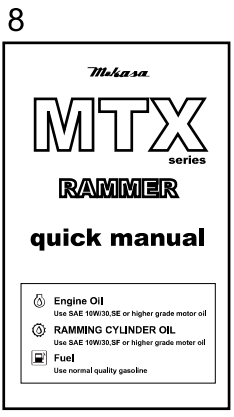
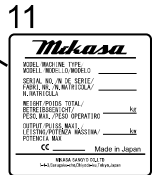
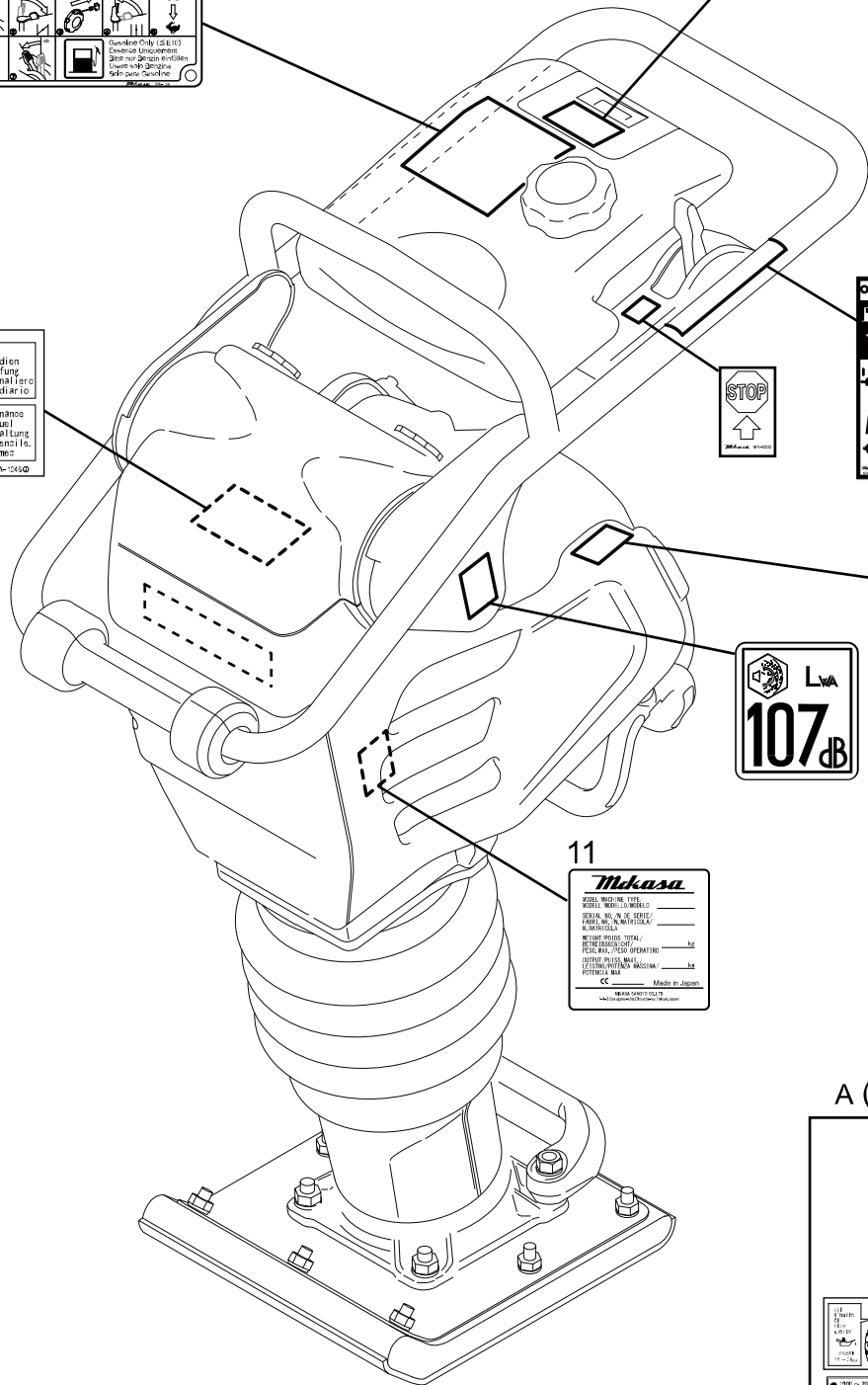
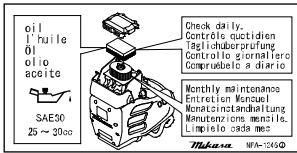
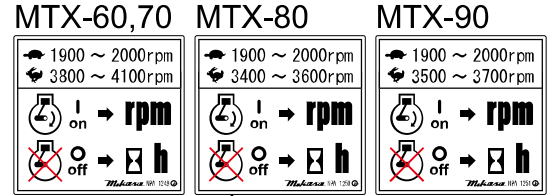
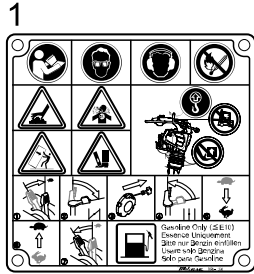
# MTX-60, 70, 80, 90 NAME PLATE,DECALS

3MMO

MTX-70: S2197 ~

MTX-80: S1139 ~

MTX-90: S1066 ~







# Note

---

A series of horizontal dashed lines for writing notes.





**MIKASA SANGYO CO.,LTD.**

HEAD OFFICE

NO. 4-3. 1-CHOME, SARUGAKU-CHO, CHIYODA-KU  
TOKYO, JAPAN