

Spare Parts Catalogue

Product:	Two-wheel tractors
Category:	Two-wheel tractors without differential
Model:	Two-wheel tractor 320 Trendy
Table:	C01 ENGINE PROTECTIONS Mod. 1 - 10/2008
Validity:	Date 10/2008 / Ver. 310 trendy / Ver. 320 trendy / Ver. 330 trendy / Ver. 340 trendy

(Gx120/160/200) 59053040
(Gx240/270 ★ /340/390 ★) 59053021
(15LD440 ★ /L100AE ★ /L70AE) 59053221

FERRARI	300 TRENDY	PROTEZIONI MOTORE	DALLA MACCHINA FROM THE MACHINE DE LA MACHINE DE LA MAQUINA AB DER MASCHINE	AGGIORNAMENTO REVISION MISE A JOUR APLAZAMIENTO ANPASSUNG	C01	Rev. 1
		ENGINE PROTECTIONS PROTECCIONES MOTOR	PROTECTIONS MOTEUR MOTORSCHUTZ	★ N.	10/2008	10/2008

Ref.	Part code	Description	Qty	Unit	Validity	Price
-	31112154	SCREW TE M8X40 UNI 5739 8G	1	NR		
-	31121558	SCREW TTQ M6X16 UNI 5731	1	NR		
-	31241060	SELFLOCK NUT M6	1	NR		
-	31241080	SELFLOCK NUT M8	1	NR		
-	31411064	WASHER 6,4x12,5 UNI 6592	1	NR		
-	31411084	WASHER 8,4x17 UNI 6592	1	NR		
-	31510099	RIBBED SCREW 6,3X38 UNI 6950	1	NR		
-	31510100	RIBBED SCREW 6,3X19 UNI 6950	1	NR		
-	55252405	GUARD	1	NR		
-	55252406	GUARD	1	NR		
-	55252413	GUARD	1	NR	Ver. 340 trendy	
-	55252415	GUARD	1	NR		
-	56157393	HOLDER	1	NR		
-	56157399	HOLDER	1	NR		
-	58048035	HOLDER	1	NR		

Spare Parts Catalogue

Product:	Two-wheel tractors
Category:	Two-wheel tractors without differential
Model:	Two-wheel tractor 320 Trendy
Table:	D01 CLUTCH Mod. 2 - 10/2008
Validity:	Date 10/2008 / Ver. 310 trendy / Ver. 320 trendy / Ver. 330 trendy / Ver. 340 trendy

ROBINEX 17 - HONDA Gx 120/160/200 31100003
HONDA Gx240/270/340/390 31100015

HONDA Gx240/270/340/390 31423105
31423084

ROBINEX 17 - HONDA Gx120/160/200 53247488
HONDA Gx240/270/340/390 53156150

MOTORE ENGINE MOTEUR MOTOR MOTOR	FRIZIONE CLUTCH A EMBRAYAGE EMBRAGUE KUPPLUNG
Acme A220	59247884
Acme A220 (REF.)	59256255
Acme ACT 280 - A349 - A360	59247884
Acme ACT 340	59247971
Honda Gx 390 - Gx 340 D=25,4	59256280
Honda Gx 240/270 D=25,4	59256279
Honda Gx 120/160/200 D=19	59256275
Lombardini 15LD315/350	59247884
Lombardini 15LD440 ★	59247971
Lombardini 15LD500	59247924
ROBINEX 17 ★	59256275
Yanmar L100AE	59247971
Yanmar L70AE	59247884

31312088
31312083

31211080
31241080
31423084

56147845
50956262
52447896

55147842

55157609

37112173

56156276 (D=19)
56156281 (D=25,4)

56156284 (D=19)
56156285 (D=25,4)

**! NON SMONTARE MAI LA FRIZIONE
NEVER DISASSEMBLE THE CLUTCH
NE DEMONTER JAMAIS L'EMBRAYAGE
NIEMALS DIE KUPPLUNG AUSBAUEN
NO DESMONTAR JAMAS EL EMBRAGUE**

FERRARI	300 TRENDY	FRIZIONE A CONO AUTOVENTILANTE		DALLA MACCHINA FROM THE MACHINE DE LA MACHINE DE LA MACHINE AB DER MASCHINE ★ N.	AGGIORNAMENTO REVISION MISE A JOUR APLAZAMIENTO ANPASSUNG	D01	2	Rev.
		CLUTCH EMBRAGUE	EMBRAYAGE KUPPLUNG		10/2008	TENE		

Ref.	Part code	Description	Qty	Unit	Validity	Price
-	31100003	SCREW TE 5/16X7/8	1	NR	Engine HONDA GX 120 ---- Engine HONDA GX 160 ---- Engine HONDA GX 200 ---- Engine ROBINEX 17	
-	31100015	SCREW TE 3/8X1"	1	NR	Engine HONDA GX 240 ---- Engine HONDA GX 270 ---- Engine HONDA GX 340 ---- Engine HONDA GX 390	
-	31211080	NUT M8 UNI 5588 6S	1	NR		
-	31241080	SELFLOCK NUT M8	1	NR		
-	31312083	STUD BOLT M8X46X16X16	1	NR		
-	31312088	STUD BOLT M8X40X14X14	1	NR		
-	31423084	SPRING WASHER 8,4 DIN 137	1	NR		

Spare Parts Catalogue

Product:	Two-wheel tractors
Category:	Two-wheel tractors without differential
Model:	Two-wheel tractor 320 Trendy
Table:	E01 GEARBOX Mod. 0 - 10/2006
Validity:	Date 11/2006 / Ver. 310 trendy / Ver. 320 trendy / Ver. 330 trendy

V = verde - green - vert - grün

FERRARI	300 TRENDY	SCATOLA CAMBIO	DALLA MACCHINA FROM THE MACHINE DE LA MACHINE DE LA MAQUINA AB DER MASCHINE	Rev. 0
		GEARBOX CAJA DE CAMBIO	BOITE DE VITESSES WECHSELGETRIEBE	E01
			N.	11/2006

Ref.	Part code	Description	Qty	Unit	Validity	Price
-	30040001	PLUG	1	NR		
-	30040133	PLUG 22 DIN 470	1	NR	Ver. 310 trendy	
-	31111090	SCREW TE M5X10 UNI 5739 8G	1	NR		
-	31132562	SCREW TSVEI M6X16 UNI 5933	1	NR		
-	31152103	SCREW TCEI M10X25 UNI 5931	1	NR		
-	31221121	NUT M12X1,25 UNI 5587	1	NR		
-	31241080	SELFLOCK NUT M8	1	NR		
-	31241085	SELFLOCK NUT M8 6S DIN 980	1	NR		
-	31312082	STUD BOLT M8X38X14X20	1	NR		
-	31312086	STUD BOLT M8X56X20X14	1	NR		
-	31312094	STUD BOLT M8X68X14X36	1	NR		
-	31312124	STUD BOLT	1	NR	Ver. 310 trendy	
-	31312125	STUD BOLT	1	NR		
-	31421083	WASHER	1	NR		
-	31422064	SPRING WASHER 6,4 DIN 137	1	NR		

Spare Parts Catalogue

Product:	Two-wheel tractors
Category:	Two-wheel tractors without differential
Model:	Two-wheel tractor 320 Trendy
Table:	F02 GEARS Mod. 0 - 10/2006
Validity:	Date 11/2006 / Ver. 320 trendy / Ver. 330 trendy

FERRARI	300 TRENDY	INGRANAGGI CAMBIO (320-330)	GEARS ENGRANAJES	ENGRANAGES ZÄHRÄDER	DALLA MACCHINA FROM THE MACHINE DE LA MACHINE DE LA MACHINE AB DER MASCHINE	F02	Rev. 0
						N.	11/2006

Ref.	Part code	Description	Qty	Unit	Validity	Price
-	31112211	SCREW TE M10X30 UNI 5739	1	NR		
-	31421101	WASHER	1	NR		
-	34211042	ROLL PIN	1	NR		
-	34213060	ROLL PIN	1	NR		
-	34213061	ROLL PIN	1	NR		
-	35111052	SEEGER RING I 52 DIN 472	1	NR		
-	35111055	SEEGER RING I 55 DIN 472	1	NR		
-	35121031	SEEGER RING E 30 UNI 7436	1	NR		
-	35211120	SEEGER RING E 12 UNI 7434	1	NR		
-	37111150	BEARING	1	NR		
-	37111152	BEARING	1	NR		
-	37111250	BEARING	1	NR		
-	37112229	BEARING	1	NR		
-	37320120	ROLLER CAGE 12X15/10	1	NR		
-	37910832	BALL 1/4	1	NR		

Spare Parts Catalogue

Product:	Two-wheel tractors
Category:	Two-wheel tractors without differential
Model:	Two-wheel tractor 320 Trendy
Table:	G01 WHEEL AXLE Mod. 0 - 10/2006
Validity:	Date 11/2006 / Ver. 310 trendy / Ver. 320 trendy

Exploded view diagram of a wheel axle assembly. The diagram shows the following parts and their part numbers:

- 3121100
- 31423105
- 31312102 (M10x40)
- 59043063
- (M12) 31241120
- 31421130
- (25x52x10) 38212501
- (D. 52) 35111052
- (25x52x15) 37111250
- 56143059
- 54143090
- 56143059
- (25x52x15) 37111250
- (D. 52) 35111052
- (25x52x10) 38212501
- 56343058
- 34311060 (6x10)
- 31312102 (M10x40)
- 31423105
- 59043063
- 31421130
- (M12) 31241120
- 3121100

FERRARI	300 TRENDY	ASSE RUOTE (310-320)	WHEEL AXLE EJE RUEDAS ESSIEU ROUES RÄDACHSE	DALLA MACCHINA FROM THE MACHINE DE LA MACHINE AB DER MASCHINE	N.	G01 0 11/2006	Rev. 0 11/2006
----------------	-------------------	-----------------------------	--	--	----	-------------------------	----------------------

Ref.	Part code	Description	Qty	Unit	Validity	Price
-	3121100	NUT M10 UNI 5588 6S	1	NR		
-	31241120	SELFLOCK NUT M12 DIN 982	1	NR		
-	31312102	STUD BOLT M10X40X24X12	1	NR		
-	31421130	WASHER	1	NR		
-	31423105	SPRING WASHER 10,5 DIN137	1	NR		
-	34311060	KEY 6X10 UNI 6606	1	NR		
-	35111052	SEEGER RING I 52 DIN 472	1	NR		
-	37111250	BEARING	1	NR		
-	38212501	OIL SEAL 25X52X10	1	NR		
-	54143090	CROWN WHEEL	1	NR		
-	56143059	SPACER	1	NR		
-	56343058	AXLE SHAFT	1	NR		
-	59043063	WHEEL HUB	1	NR		

Spare Parts Catalogue

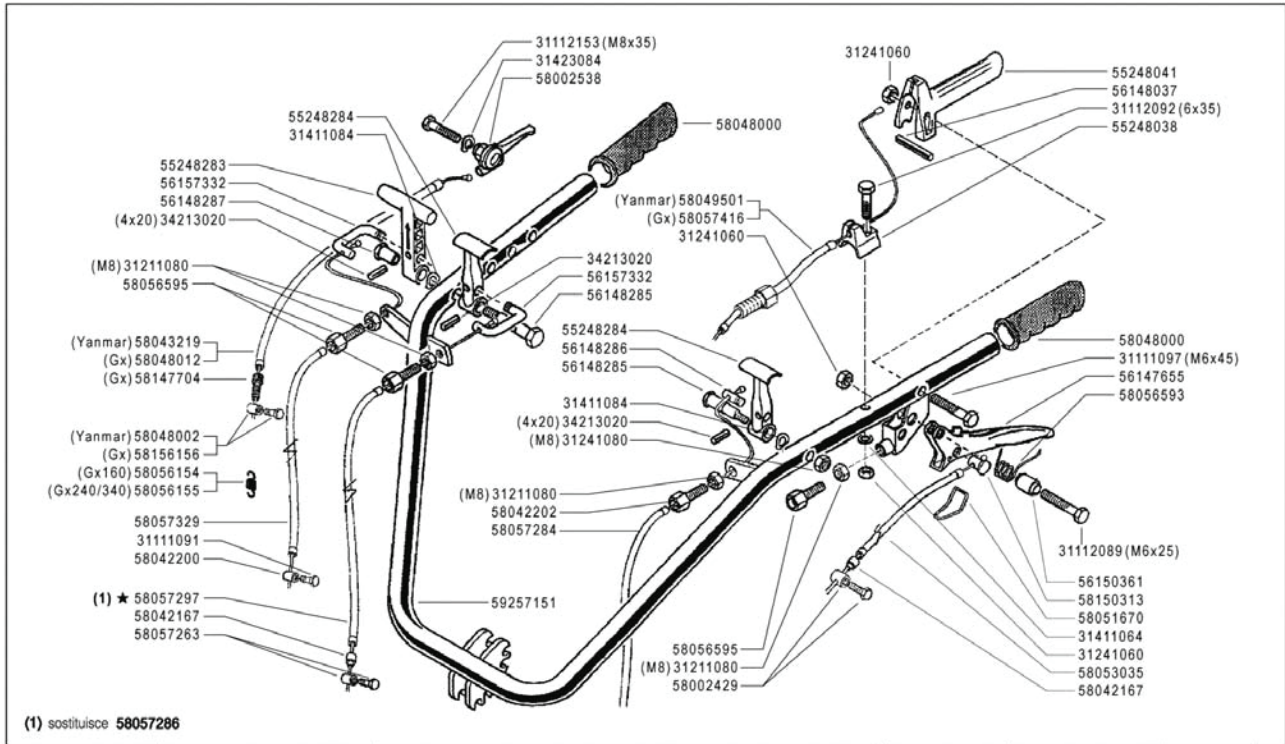
Product:	Two-wheel tractors
Category:	Two-wheel tractors without differential
Model:	Two-wheel tractor 320 Trendy
Table:	H02 STEERING COLUMN Mod. 1 - 06/2007
Validity:	Date 06/2007 / Ver. 320 trendy / Ver. 330 trendy

FERRARI	300 TRENDY	PIANTONE (320-330)	DALLA MACCHINA FROM THE MACHINE DE LA MACHINE AB DER MASCHINE	★ N.	794196	H02	Rev. 1
STEERING COLUMN COLUMNA		PIANTON LENKSÄULE				06/2007	TENDY

Ref.	Part code	Description	Qty	Unit	Validity	Price
-	31111086	SCREW TE M4X25 UNI 5739 8G	1	NR		
-	31111229	SCREW TE M10X110 UNI 5737 8G	1	NR		
-	31112150	SCREW TE M8X20 UNI 5739 8G	1	NR		
-	31112153	SCREW TE M8X35 UNI 5739 8G	1	NR		
-	31112293	SCREW TE M12X80 UNI 5737	1	NR		
-	31211080	NUT M8 UNI 5588 6S	1	NR		
-	31241080	SELFLOCK NUT M8	1	NR		
-	31241100	SELFLOCK NUT M10 6S DIN 982	1	NR		
-	31241126	SELFLOCK NUT M12	1	NR		
-	31411043	WASHER 4,3X9 UNI 6592	1	NR		
-	31421083	WASHER	1	NR		
-	31421100	CUP SPRING	1	NR		
-	31423084	SPRING WASHER 8,4 DIN 137	1	NR		
-	52156917	WEDGE	1	NR		
-	55102714	KNOB	1	NR		

Spare Parts Catalogue

Product:	Two-wheel tractors
Category:	Two-wheel tractors without differential
Model:	Two-wheel tractor 320 Trendy
Table:	I02 HANDLEBAR Mod. 1 - 06/2007
Validity:	Date 06/2007 / Ver. 320 trendy / Ver. 330 trendy



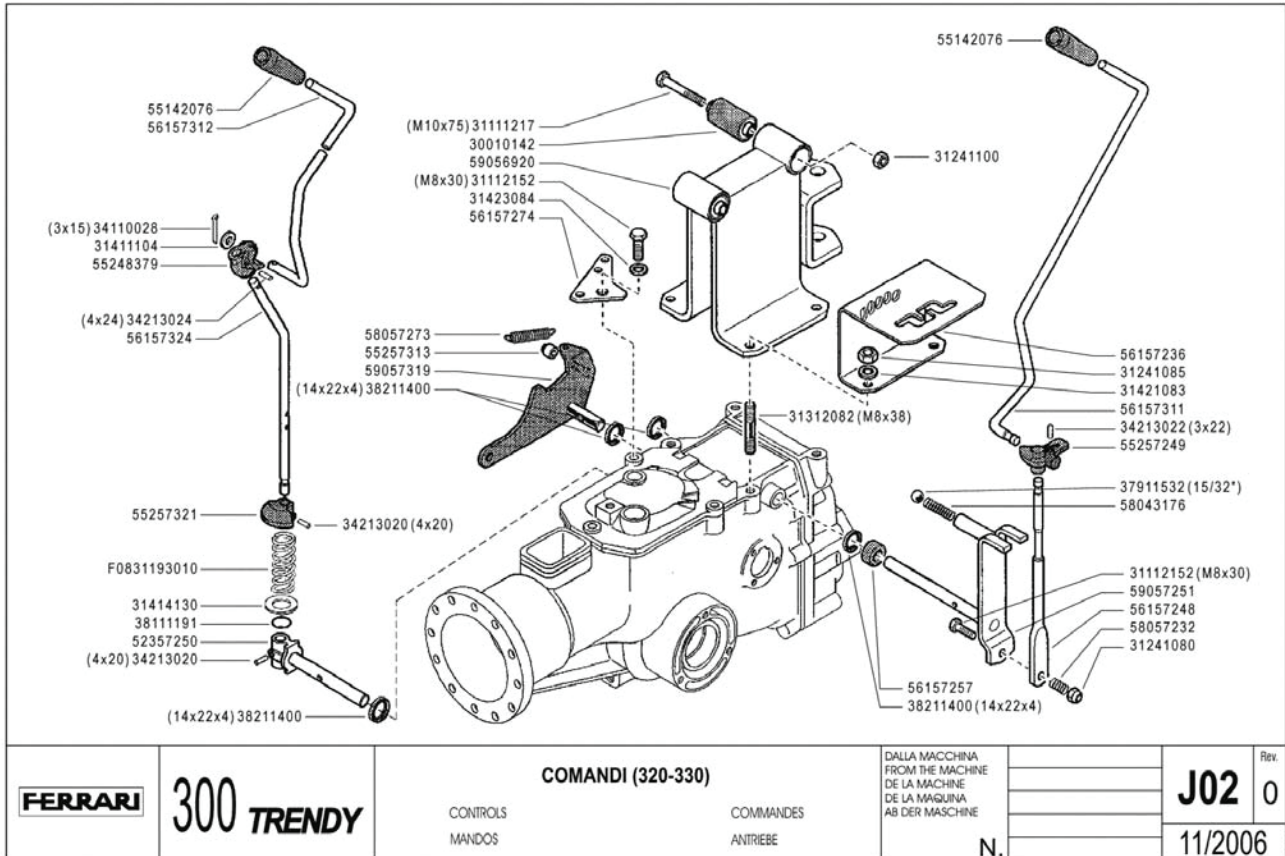
(1) sostituisce 58057286

FERRARI	300 TRENDY	MANUBRIO (320-330)		DALLA MACCHINA FROM THE MACHINE DE LA MACHINE DE LA MAQUINA AB DER MASCHINE ★ N.	AGGIORNAMENTO REVISION MISE A JOUR APLAZAMIENTO ANPASSUNG	I02	Rev. 1
		HANDLEBAR MANILLAR	MANCHERON LENKER		06/2007		1

Ref.	Part code	Description	Qty	Unit	Validity	Price
-	31111091	SCREW E M6X14 UNI 5739 8G	1	NR		
-	31111097	SCREW TE M6X45 UNI 5737 8G	1	NR		
-	31112089	SCREW TE M6X25 UNI 5739 8G	1	NR		
-	31112092	SCREW TE M6X35 UNI 5739 8G	1	NR		
-	31112153	SCREW TE M8X35 UNI 5739 8G	1	NR		
-	31211080	NUT M8 UNI 5588 6S	1	NR		
-	31241060	SELFLOCK NUT M6	1	NR		
-	31241080	SELFLOCK NUT M8	1	NR		
-	31411064	WASHER 6,4x12,5 UNI 6592	1	NR		
-	31411084	WASHER 8,4x17 UNI 6592	1	NR		
-	31423084	SPRING WASHER 8,4 DIN 137	1	NR		
-	34213020	ROLL PIN	1	NR		
-	55248038	STOP	1	NR		
-	55248041	LEVER	1	NR		
-	55248283	COMMAND LEVER	1	NR		

Spare Parts Catalogue

Product:	Two-wheel tractors
Category:	Two-wheel tractors without differential
Model:	Two-wheel tractor 320 Trendy
Table:	J02 CONTROLS Mod. 0 - 10/2006
Validity:	Date 11/2006 / Ver. 320 trendy / Ver. 330 trendy



300 TRENDY

COMANDI (320-330)

CONTROLS
MANDOS

COMMANDES
ANTRIEBE

DALLA MACCHINA
FROM THE MACHINE
DE LA MACHINE
AB DER MASCHINE

N.

J02 0

11/2006

Rev.

Ref.	Part code	Description	Qty	Unit	Validity	Price
-	30010142	SILENT-BLOCK 10,2X30X45X49	1	NR		
-	3111217	SCREW TE M10X75 UNI 5737 8G	1	NR		
-	31112152	SCREW TE M8X30 UNI 5739 8G	1	NR		
-	31241080	SELFLOCK NUT M8	1	NR		
-	31241085	SELFLOCK NUT M8 6S DIN 980	1	NR		
-	31241100	SELFLOCK NUT M10 6S DIN 982	1	NR		
-	31312082	STUD BOLT M8X38X14X20	1	NR		
-	31411104	WASHER 10,5x18 UNI 6592	1	NR		
-	31414130	WASHER 13 UNI 1749	1	NR		
-	31421083	WASHER	1	NR		
-	31423084	SPRING WASHER 8,4 DIN 137	1	NR		
-	34110028	SPLIT PIN	1	NR		
-	34213020	ROLL PIN	1	NR		
-	34213022	ROLL PIN	1	NR		
-	34213024	ROLL PIN	1	NR		

Spare Parts Catalogue

Product:	Two-wheel tractors
Category:	Two-wheel tractors without differential
Model:	Two-wheel tractor 320 Trendy
Table:	K01 WHEELS Mod. 1 - 10/2008
Validity:	Date 10/2008 / Ver. 310 trendy / Ver. 320 trendy / Ver. 330 trendy / Ver. 340 trendy

	A	B	C	D
	39113502	39413502	58052326	92243686 (Kg.10)
	39114008	39414008	58052326	92243686 (Kg.10)
★	39114010	39414010	58052288 (FIX)	/
	39114010	39414010	58052327	92248715 (Kg.15)
★	39115010	39415010	58052288 (FIX)	/
	39115010	39415010	58052327	92248715 (Kg.15)
	39115012	39415012	58052328	92248720 (Kg.34)
★	39116018	39416018	58052328	92480721 (Kg.34)

FERRARI	300 TRENDY	WHEELS RUEDAS	RUOTE	ROUES RÄDER	DALLA MACCHINA FROM THE MACHINE DE LA MACHINE DE LA MAGHINA AB DER MASCHINE ★ N.	AGGIORNAMENTO REVISION MISE A JOUR APLAZAMIENTO ANPASSUNG	K01	Rev. 1 10/2008
----------------	-------------------	------------------	--------------	----------------	---	---	------------	--------------------------

Ref.	Part code	Description	Qty	Unit	Validity	Price
-	31211100	NUT M10 UNI 5588 6S	1	NR		
-	31312102	STUD BOLT M10X40X24X12	1	NR		
-	31423105	SPRING WASHER 10,5 DIN137	1	NR		
-	39113502	TYRE 3.50-8 2PR	1	NR		
-	39114008	TYRE 4.00-8 2PR	1	NR		
-	39114010	TYRE 4.0-10 2PR	1	NR		
-	39115010	TYRE 5.00-10 2PR	1	NR		
-	39115012	TYRE 5.00-12 2PR	1	NR		
-	39116018	TYRE 6.5/80-12 2PR	1	NR		
-	39413502	INNER TUBE	1	NR		
-	39414008	INNER TUBE	1	NR		
-	39414010	INNER TUBE	1	NR		
-	39415010	INNER TUBE	1	NR		
-	39415012	INNER TUBE	1	NR		
-	39416018	INNER TUBE	1	NR		

Spare Parts Catalogue

Product:	Two-wheel tractors
Category:	Two-wheel tractors without differential
Model:	Two-wheel tractor 320 Trendy
Table:	L01 ELECTRIC STARTER Mod. 2 - 10/2008
Validity:	Date 10/2008 / Ver. 320 trendy / Ver. 330 trendy

A	B	C	D	
MOTORINO D'AVVIAMENTO STARTER DÉMARREUR MOT. DE ARRANQUE ANLASSMOTOR	GENERATORE GENERATOR GÉNÉRATEUR GENERADOR GENERATOR	REGOLATORE REGULATOR RÉGULATEUR REGULADOR REGLER	FUSIBILI FUSES FUSIBLES FUSIBLES SCHMELZSICHERUNGEN	
E	F	G	H	I
BATTERIA BATTERY BATTERIE BATERIA BATTERIE	INTERRUTTORE SWITCH INTERRUPTEUR INTERRUPTOR SCHALTER	SPIA CARICA BATTERIA BATTERY LONG WARN. LIGHT TEMOIN CHARG. BATTERIE LUZ CARGA BATERIA BATTERIELADUNGKTRL. LAMPE	SOLENOIDE SOLENOID SOLENOÏDE SOLENOIDE SOLENOID	DIODO DIODE DIODE DIODO DIODE

(1) sostituisce 30000276

FERRARI	300 TRENDY	AVVIAMENTO ELETTRICO (320 - 330 - 340 ★)	DALLA MACCHINA FROM THE MACHINE DE LA MACHINE DE LA MAQUINA AB DER MASCHINE	Rev.
		ELECTRIC STARTER ARRANQUE ELECTRICO	DÉMARRAGE ÉLECTRIQUE ELEKTROSTART	L01 2
			★ N.	10/2008

Ref.	Part code	Description	Qty	Unit	Validity	Price
-	30000277	SWITCH	1	NR	Fuel DIESEL	
-	30000295	LAMP	1	NR	Fuel DIESEL	
-	31100201	SCREW TTQ M6X12 UNI 5731	1	NR		
-	31121558	SCREW TTQ M6X16 UNI 5731	1	NR		
-	31241060	SELFLOCK NUT M6	1	NR		
-	31411064	WASHER 6,4x12,5 UNI 6592	1	NR		
-	31411090	WASHER 9x24 UNI 6593	1	NR		
-	56119937	BATTERY SUPPORT	1	NR	Engine HONDA GX 240	
-	56137370	BATTERY BRACKET	1	NR	Fuel DIESEL	
-	56149590	BATTERY BRACKET	1	NR	Fuel DIESEL	
-	56157387	ROD	1	NR	Engine HONDA GX 240	
-	58045804	WARNING LIGHT	1	NR	Fuel DIESEL	
-	58045807	LOCK COVER	1	NR	Fuel DIESEL	
-	58047460	WIRING	1	NR	Engine HONDA GX 240	
-	58057386	WIRING	1	NR	Fuel DIESEL	