

GS 451 (Euro 2) Chainsaw



Documents

Engine

Ignition system

Crankcase

Tank and handle

Clutch and brake

Carburetor WT-780G

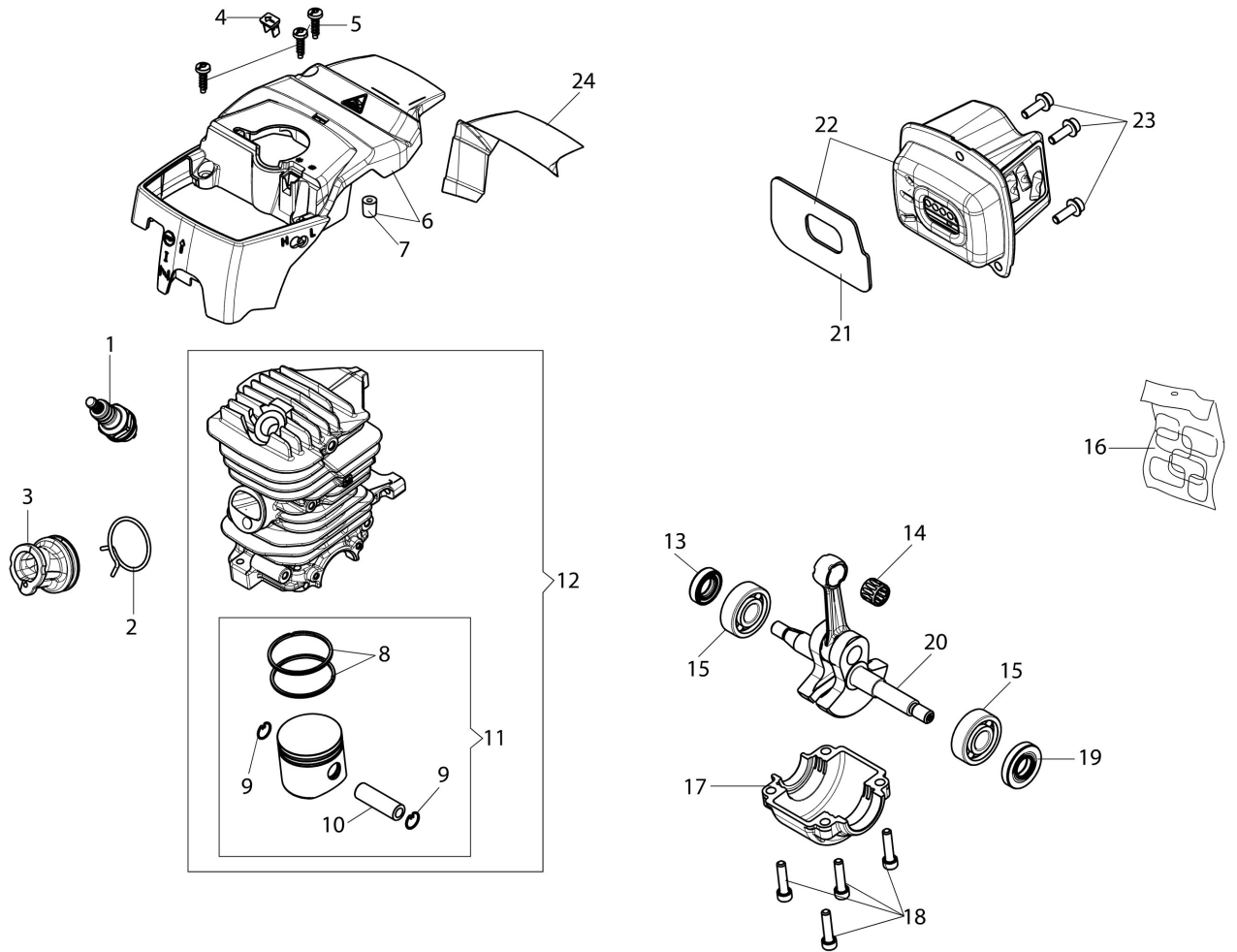


Illustration Engine

| Ref.Nu | Qty | Part number | Description | Validity from | Validity till | Notes | Bulletin |
|--------|-----|-------------|-------------------|---------------|---------------|-------|----------|
| 1 | 1 | 3055101 | Spark plug | | | | |
| 2 | 1 | 094600103 | Band | | | | |
| 3 | 1 | 50170010R | Manifold | | | | |
| 4 | 1 | 50170032R | Plate | | | | |
| 5 | 3 | 3960115R | Screw | | | | |
| 6 | 1 | 50180195R | Engine cover | | | | |
| 7 | 1 | 50070126R | Spacer | | | | |
| 8 | 2 | 50230107R | Piston ring | | | | |
| 9 | 2 | 007201198R | Ring | | | | |
| 10 | 1 | 61350174R | Piston pin | | | | |
| 11 | 1 | 50230260 | Piston assy | | | | |
| 12 | 1 | 50230259 | Complete cylinder | | | | |
| 13 | 1 | 50272004R | Seal ring | | | | |
| 14 | 1 | 50110044R | Bearing | | | | |
| 15 | 2 | 094000006R | Bearing | | | | |
| 16 | 1 | 50180202 | Labels kit | | | | |
| 17 | 1 | 50050016CR | Cover | | | | |
| 18 | 4 | 3801051R | Screw | | | | |
| 19 | 1 | 3050024AR | Seal ring | | | | |
| 20 | 1 | 50230179AR | Crankshaft | | | | |
| 21 | 1 | 50230158R | Gasket | | | | |
| 22 | 1 | 50180194 | Muffler | | | | |
| 23 | 3 | 3860117R | Screw | | | | |
| 24 | 1 | 50180143R | Guard | | | | |

Illustration Ignition system

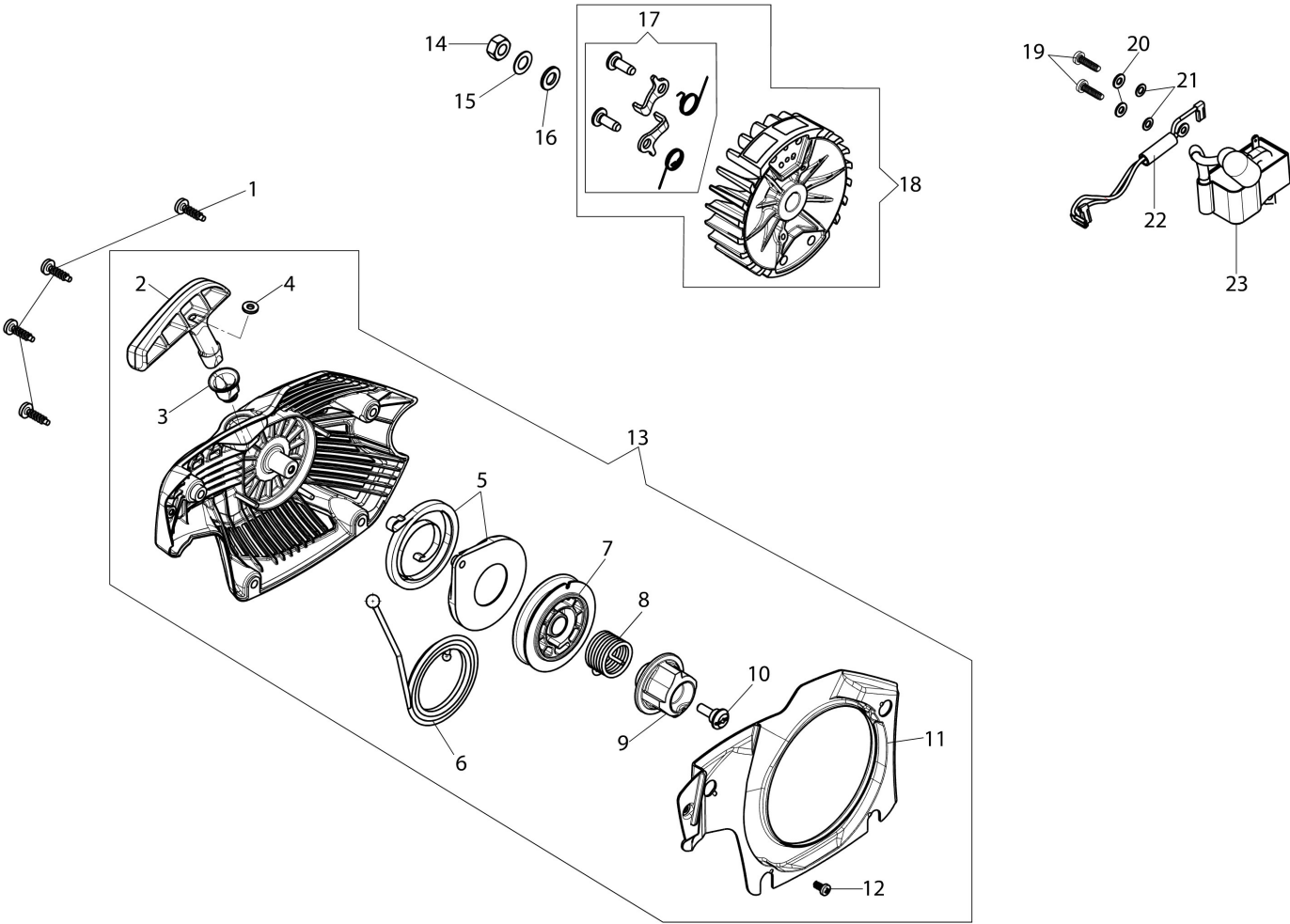


Illustration Ignition system

| Ref.Nu | Qty | Part number | Description | Validity from | Validity till | Notes | Bulletin |
|--------|-----|-------------|----------------|---------------|---------------|-------|----------|
| 1 | 4 | 3960115R | Screw | | | | |
| 2 | 1 | 50170017R | Starter handle | | | | |
| 3 | 1 | 094000038 | Bushing | | | | |
| 4 | 1 | 006000829 | Washer | | | | |
| 5 | 1 | 50050073R | Spring | | | | |
| 6 | 1 | 50070123R | Starter rope | | | | |
| 7 | 1 | 50170153R | Starter pulley | | | | |
| 8 | 1 | 50180107R | Spring | | | | |
| 9 | 1 | 50180106R | Sprocket | | | | |
| 10 | 1 | 50160024 | Screw | | | | |
| 11 | 1 | 50180141R | Flange | | | | |
| 12 | 1 | 3960167R | Screw | | | | |
| 13 | 1 | 50180074R | Starter assy | | | | |
| 14 | 1 | 004000142R | Nut | | | | |
| 15 | 1 | 3833080R | Washer | | | | |
| 16 | 1 | 3916009R | Washer | | | | |
| 17 | 1 | 50072029 | Pawl | | | | |
| 18 | 1 | 50180111AR | Flywheel set | | | | |
| 19 | 2 | 3960075R | Screw | | | | |
| 20 | 2 | 3916004R | Washer | | | | |
| 21 | 2 | 006000315R | Washer | | | | |
| 22 | 1 | 50170090R | Cable | | | | |
| 23 | 1 | 2501020R | Ignition coil | | | | |

Illustration Crankcase

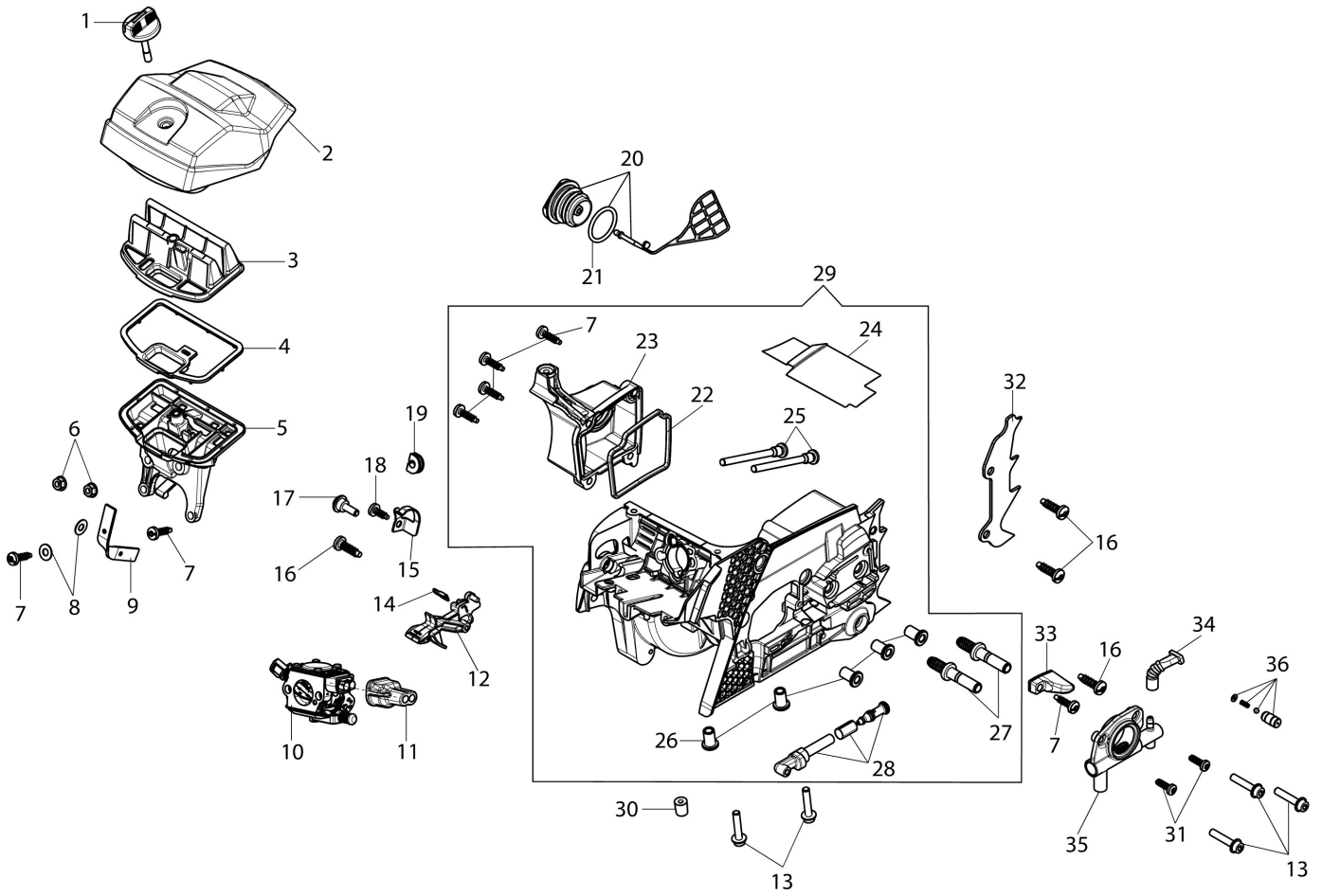


Illustration Crankcase

| Ref.Nu | Qty | Part number | Description | Validity from | Validity till | Notes | Bulletin |
|--------|-----|-------------|--------------------|---------------|---------------|------------------------|----------|
| 1 | 1 | 50210034R | Knob | | | | |
| 2 | 1 | 50180072R | Air filter cover | | | | |
| 3 | 1 | 50230036R | Air filter | | | | |
| 4 | 1 | 50230038R | Gasket | | | | |
| 5 | 1 | 50230068R | Filter support | | | | |
| 6 | 2 | 3914003R | Nut | | | | |
| 7 | 7 | 3960115R | Screw | | | | |
| 8 | 2 | 3818001R | Washer | | | | |
| 9 | 1 | 50050123BR | Strap | | | | |
| 10 | 1 | 2318755ER | Carburetor WT-780G | | | | |
| 11 | 1 | 50170150R | Screw guide | | | | |
| 12 | 1 | 50180140R | Lever | | | | |
| 13 | 1 | 3860099R | Screw | | | | |
| 14 | 1 | 50170062R | Plate | | | | |
| 15 | 1 | 50170061R | Spring | | | | |
| 16 | 3 | 3960099R | Screw | | | | |
| 16 | 1 | 3960099R | Screw | | | | |
| 17 | 1 | 50160024 | Screw | | | | |
| 18 | 1 | 3960070R | Screw | | | | |
| 19 | 1 | 005000347AR | Grommet | | | | |
| 20 | 1 | 50052005R | Tank cap | | | | |
| 21 | 1 | 3049047R | O-ring | | | | |
| 22 | 1 | 50170004R | Gasket | | | | |
| 23 | 1 | 50180064R | Cover | | | | |
| 24 | 1 | 50180144R | Guard | | | | |
| 25 | 2 | 50070067A | Tie rod | | | | |
| 26 | 5 | 50050067R | Spacer | | | | |
| 27 | 2 | 50050052R | Stud | | | | |
| 28 | 1 | 50170149R | Oil filter | | | | |
| 29 | 1 | 50180145R | Crankcase assy | | | | |
| 30 | 1 | 50070126R | Spacer | | | | |
| 31 | 2 | 3860099R | Screw | | | | |
| 32 | 1 | 50180091R | Spike | | | | |
| 33 | 1 | 094600369R | Guard | | | | |
| 34 | 1 | 50050049R | Tube | | | | |
| 35 | 1 | 50170051BR | Oil pump | | | Regolabile; Adjustable | |
| 36 | 1 | 097000229R | Breather valve | | | | |

Illustration Tank and handle

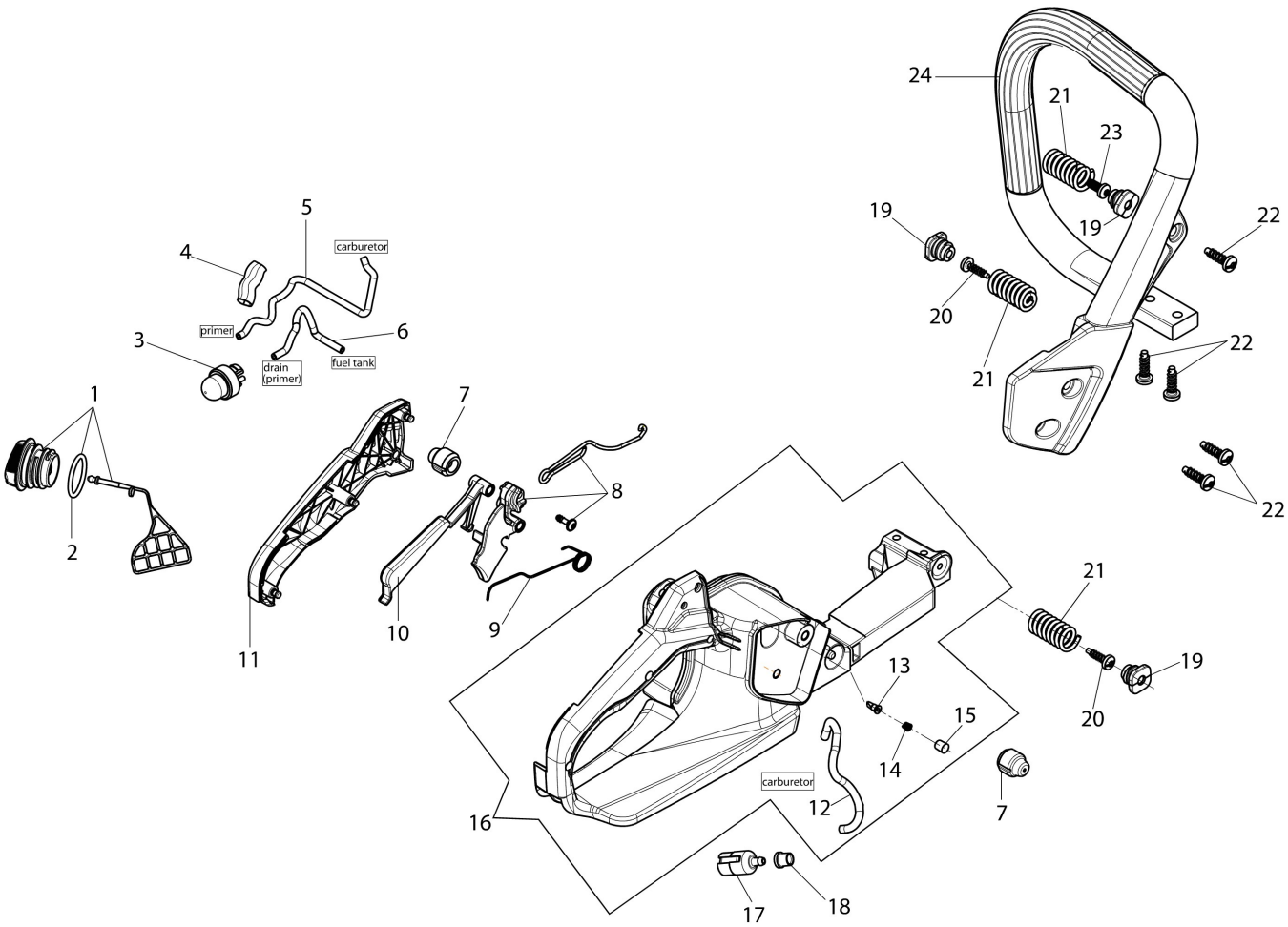


Illustration Tank and handle

| Ref.Nu | Qty | Part number | Description | Validity from | Validity till | Notes | Bulletin |
|--------|-----|-------------|----------------|---------------|---------------|-------|----------|
| 1 | 1 | 50052005R | Tank cap | | | | |
| 2 | 1 | 3049047R | O-ring | | | | |
| 3 | 1 | 2318817R | Air purge | | | | |
| 4 | 1 | 50170121R | Sheath | | | | |
| 5 | 1 | 50170322R | Tube | | | | |
| 6 | 1 | 50170321R | Tube | | | | |
| 7 | 1 | 50010061R | AV-mount | | | | |
| 8 | 1 | 50180196 | Throttle kit | | | | |
| 9 | 1 | 097000028R | Spring | | | | |
| 10 | 1 | 50050046AR | Lever | | | | |
| 11 | 1 | 50180109R | Cover | | | | |
| 12 | 1 | 3073015R | Tube | | | | |
| 13 | 1 | 094500577AR | Breather valve | | | | |
| 14 | 1 | 094500575R | Spring | | | | |
| 15 | 1 | 50050071R | Breather valve | | | | |
| 16 | 1 | 50180092R | Complete tank | | | | |
| 17 | 1 | 094600450R | Fuel filter | | | | |
| 18 | 1 | 61110162BR | Bushing | | | | |
| 19 | 3 | 50170034R | Support | | | | |
| 20 | 2 | 3960115R | Screw | | | | |
| 21 | 3 | 50050047AR | Spring | | | | |
| 22 | 5 | 3960099R | Screw | | | | |
| 23 | 1 | 3993070R | Screw | | | | |
| 24 | 1 | 50180108R | Handle | | | | |

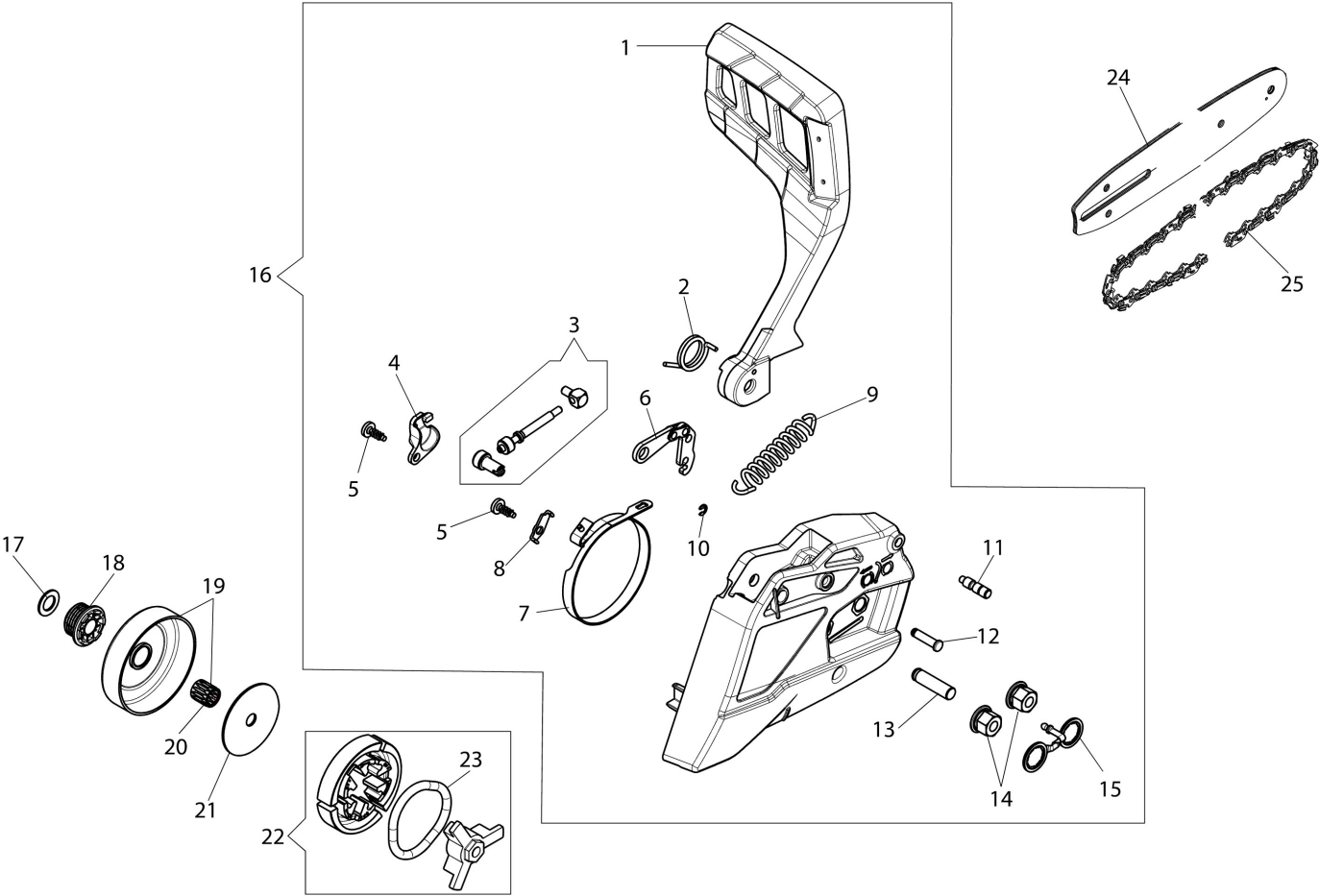


Illustration Clutch and brake

| Ref.Nu | Qty | Part number | Description | Validity from | Validity till | Notes | Bulletin |
|--------|-----|-------------|---------------------|---------------|---------------|-----------------------------|----------|
| 1 | 1 | 50180114R | Hand guard | | | | |
| 2 | 1 | 50010088AR | Spring | | | | |
| 3 | 1 | 50162017A | Chain tensioner kit | | | | |
| 4 | 1 | 50170044R | Cover | | | | |
| 5 | 2 | 3960070R | Screw | | | | |
| 6 | 1 | 097000146 | Lever | | | | |
| 7 | 1 | 50050039R | Brake band | | | | |
| 8 | 1 | 50050125R | Plate | | | | |
| 9 | 1 | 095000219AR | Spring | | | | |
| 10 | 1 | 3026003R | Ring | | | | |
| 11 | 1 | 50050064R | Pin | | | | |
| 12 | 1 | 097000106R | Plug | | | | |
| 13 | 1 | 50050066 | Plug | | | | |
| 14 | 2 | 3980021R | Nut | | | | |
| 15 | 2 | 50180147R | Clamp | | | | |
| 16 | 1 | 50180066R | Chain cover assy | | | | |
| 17 | 1 | 004400285 | Washer | | | | |
| 18 | 1 | 50060008R | Worm gear .325 | | | Per modelli GS 41 - 411 - | |
| 18 | 1 | 50050025R | Worm gear 3/8 | | | 45 - 451; For model GS 41 - | |
| 19 | 1 | 50060033A | Chain sprocket .325 | | | Per modelli GS 37 - 371 - | |
| 19 | 1 | 50050136A | Chain sprocket 3/8 | | | 41 - 411; For model GS 37 - | |
| 20 | 1 | 50030372 | Roller cage | | | Per modelli GS 41 - 411 - | |
| 21 | 1 | 004000352R | Washer | | | 45 - 451; For model GS 41 - | |
| 22 | 1 | 094000129AR | Clutch | | | Per modelli GS 37 - 371 - | |
| 23 | 1 | 094500029AR | Spring | | | 41 - 411; For model GS 37 - | |

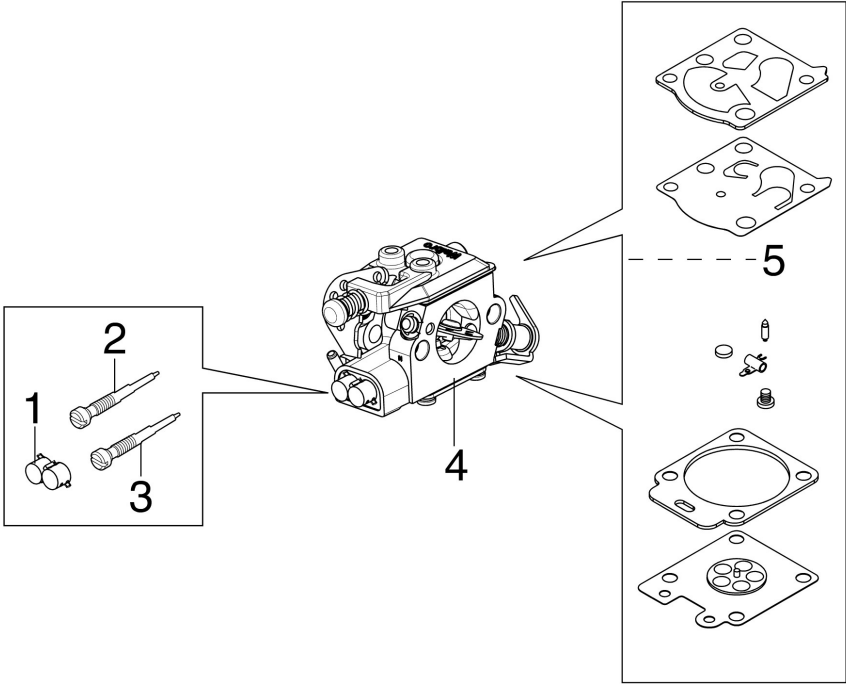


Illustration Carburetor WT-780G

| Ref.Nu | Qty | Part number | Description | Validity from | Validity till | Notes | Bulletin |
|--------|-----|-------------|--------------------|---------------|---------------|-------|----------|
| 1 | 2 | 2318867R | Caps-lock | | | | |
| 2 | 1 | 2318893 | Screw L | | | | |
| 3 | 1 | 2318837 | Screw H | | | | |
| 4 | 1 | 2318755ER | Carburetor WT-780G | | | | |
| 5 | 1 | 2318671 | Repair kit | | | | |