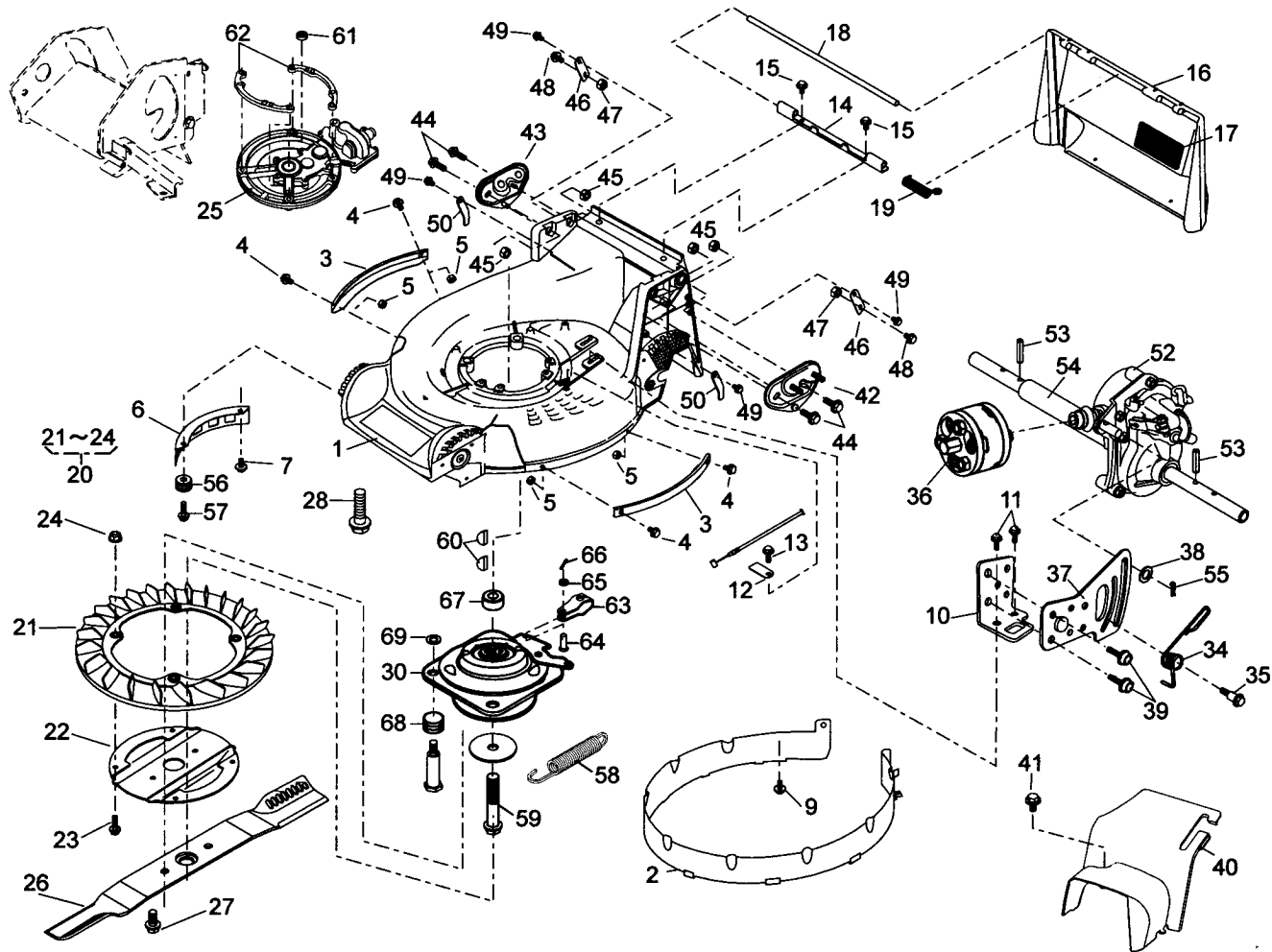


Brand : CAIMAN

Model : LM5361SXA-PRO

Product Code : 608452



GRASS-CUTTING-PRO

(A): LM5361SXA-PRO

Brand: CAIMAN

Date: 10-Apr-2014

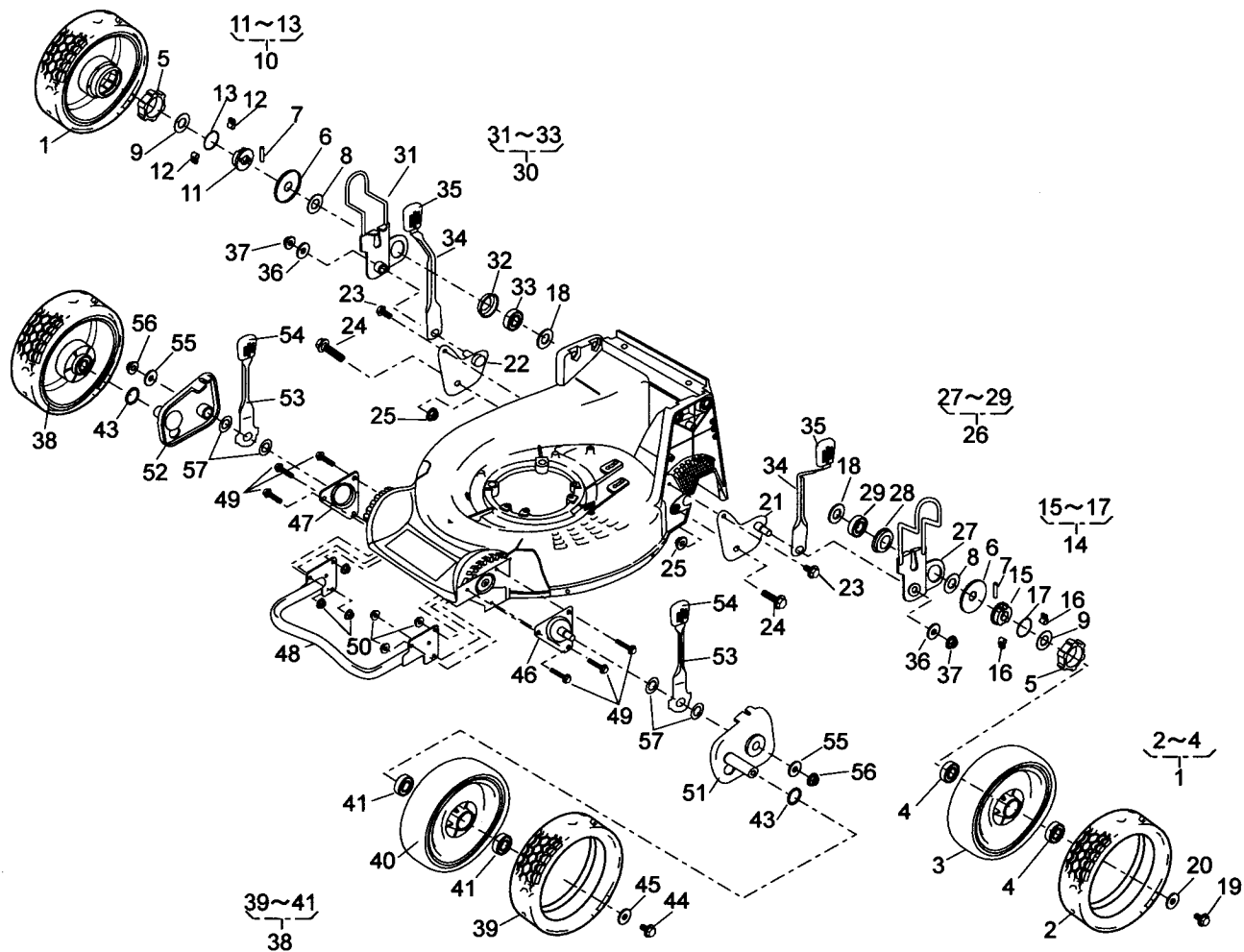
(B):

P.cd: 608452

Revision: 00

(C):

| Ref.No | Parts.No     | Parts.Name           | Q'ty |     |     | Remarks | Recomm(%)<br>Lot.100 |
|--------|--------------|----------------------|------|-----|-----|---------|----------------------|
|        |              |                      | (A)  | (B) | (C) |         |                      |
| 1      | 51043-151-42 | HOUSING              | 1    |     |     |         |                      |
| 2      | 36068-204    | GUARD                | 1    |     |     |         |                      |
| 3      | 51090-117-09 | PROTECTOR            | 2    |     |     |         |                      |
| 4      | 335L0616     | FLANGE BOLT          | 4    |     |     |         |                      |
| 5      | 512L0600     | HEXAGON NUT          | 4    |     |     |         |                      |
| 6      | 36065-180    | COVER                | 1    |     |     |         |                      |
| 7      | 342L0612     | FLANGE TAPPING BOLT  | 1    |     |     |         |                      |
| 9      | 342L0612     | FLANGE TAPPING BOLT  | 1    |     |     |         |                      |
| 10     | 11006-169    | STAY C.P.            | 1    |     |     |         |                      |
| 11     | 342L0612     | FLANGE TAPPING BOLT  | 2    |     |     |         |                      |
| 12     | 11113-407    | STAY                 | 1    |     |     |         |                      |
| 13     | 342L0612     | FLANGE TAPPING BOLT  | 1    |     |     |         |                      |
| 14     | 11113-292    | STAY                 | 1    |     |     |         |                      |
| 15     | 342L0612     | FLANGE TAPPING BOLT  | 2    |     |     |         |                      |
| 16     | 36068-196-46 | GUARD                | 1    |     |     |         |                      |
| 17     | 36080-149    | RUBBER SHEET         | 1    |     |     |         |                      |
| 18     | 64014-324    | SHAFT                | 1    |     |     |         |                      |
| 19     | 68013-336    | SPRING               | 1    |     |     |         |                      |
| 20     | 71082-111    | FAN ASS'Y            | 1    |     |     |         |                      |
| 21     | 51125-103    | FAN                  | 1    |     |     |         |                      |
| 22     | 11102-151    | HOLDER               | 1    |     |     |         |                      |
| 23     | 31062-169    | PRE-COAT LOCK BOLT   | 4    |     |     |         |                      |
| 24     | 579L0600     | FLANGE NUT           | 4    |     |     |         |                      |
| 25     | 71008-425    | GEAR CASE ASS'Y      | 1    |     |     |         |                      |
| 26     | 91014-188    | BLADE                | 1    |     |     |         |                      |
| 27     | 335M1020     | FLANGE BOLT          | 2    |     |     |         |                      |
| 28     | 335L1070     | FLANGE BOLT          | 4    |     |     |         |                      |
| 30     | 71067-119    | BRAKE ASS'Y          | 1    |     |     |         |                      |
| 34     | 68013-411    | SPRING               | 1    |     |     |         |                      |
| 35     | 31057-270    | HEXAGON BOLT         | 1    |     |     |         |                      |
| 36     | 71235-108    | TORQUE LIMITER ASS'Y | 1    |     |     |         |                      |
| 37     | 91049-139    | CONNECTOR            | 1    |     |     |         |                      |
| 38     | 68036-280    | WASHER (10.5x18x1.6) | 1    |     |     |         |                      |
| 39     | 423U0616     | SOCKET SCREW FLANGE  | 2    |     |     |         |                      |
| 40     | 36065-480    | COVER                | 1    |     |     |         |                      |
| 41     | 335L0620     | FLANGE BOLT          | 1    |     |     |         |                      |
| 42     | 51116-149    | HANDLE BRACKET       | 1    |     |     |         |                      |
| 43     | 51116-150    | HANDLE BRACKET       | 1    |     |     |         |                      |
| 44     | 31057-255    | HEXAGON BOLT (M8x25) | 4    |     |     |         |                      |
| 45     | 512L0800     | HEXAGON NUT          | 4    |     |     |         |                      |
| 46     | 11113-408    | STAY                 | 2    |     |     |         |                      |
| 47     | 512L0800     | HEXAGON NUT          | 2    |     |     |         |                      |
| 48     | 31057-181    | HEXAGON BOLT         | 2    |     |     |         |                      |
| 49     | 342L0612     | FLANGE TAPPING BOLT  | 4    |     |     |         |                      |
| 50     | 11113-415    | STAY                 | 2    |     |     |         |                      |
| 52     | 71008-431    | GEAR CASE ASS'Y      | 1    |     |     |         |                      |
| 53     | 711V0522     | SPRING PIN           | 2    |     |     |         |                      |
| 54     | 11083-387    | COLLAR               | 1    |     |     |         |                      |
| 55     | 733L1000     | SNAP PIN             | 1    |     |     |         |                      |
| 56     | 11083-270    | COLLAR               | 1    |     |     |         |                      |
| 57     | 342L0620     | FLANGE TAPPING BOLT  | 1    |     |     |         |                      |
| 58     | 68013-355    | SPRING               | 1    |     |     |         |                      |
| 59     | 31057-334    | HEXAGON BOLT         | 1    |     |     |         |                      |
| 60     | 91020-161    | KEY                  | 2    |     |     |         |                      |
| 61     | 61014-124    | SHAFT COLLAR         | 1    |     |     |         |                      |
| 62     | 61024-209    | SPACER               | 2    |     |     |         |                      |
| 63     | 68055-151    | JOINT                | 1    |     |     |         |                      |
| 64     | 31056-125    | GIB-HEADED PIN       | 1    |     |     |         |                      |
| 65     | 68036-137    | WASHER (6.5x10x0.8)  | 1    |     |     |         |                      |
| 66     | 726L0216     | SPLIT PIN            | 1    |     |     |         |                      |
| 67     | 61024-246    | SPACER               | 1    |     |     |         |                      |
| 68     | 68013-320    | SPRING               | 1    |     |     |         |                      |
| 69     | 611L0800     | PLAIN WASHER         | 1    |     |     |         |                      |



9.6" AI-WHEEL

(A): LM5361SXA-PRO

Brand: CAIMAN

Date: 10-Apr-2014

(B):

P.cd: 608452

Revision: 00

(C):

| Ref.No | Parts.No     | Parts.Name           | Q'ty |     |     | Remarks | Recomm(%)<br>Lot.100 |
|--------|--------------|----------------------|------|-----|-----|---------|----------------------|
|        |              |                      | (A)  | (B) | (C) |         |                      |
| 1      | 71041-144    | WHEEL ASS'Y          | 2    |     |     |         |                      |
| 2      | 91086-116    | TIRE                 | 2    |     |     |         |                      |
| 4      | 916B6002     | BEARING (6002DDC3)   | 4    |     |     |         |                      |
| 5      | 11086-119    | STOPPER              | 2    |     |     |         |                      |
| 6      | 61003-112    | THRUST PLATE         | 2    |     |     |         |                      |
| 7      | 31034-137    | PIN                  | 2    |     |     |         |                      |
| 8      | 68036-270    | WASHER (15.2x26x1.6) | 2    |     |     |         |                      |
| 9      | 68036-146    | WASHER (16x31.5x1.0) | 2    |     |     |         |                      |
| 10     | 71158-104    | RATCHET ASS'Y        | 1    |     |     |         |                      |
| 11     | 11102-235    | HOLDER               | 1    |     |     |         |                      |
| 12     | 31034-170    | PIN                  | 2    |     |     |         |                      |
| 13     | 68013-266    | SPRING               | 1    |     |     |         |                      |
| 14     | 71158-103    | RATCHET ASS'Y        | 1    |     |     |         |                      |
| 15     | 11102-235    | HOLDER               | 1    |     |     |         |                      |
| 16     | 31034-170    | PIN                  | 2    |     |     |         |                      |
| 17     | 68013-266    | SPRING               | 1    |     |     |         |                      |
| 18     | 68036-275    | WASHER (15.2x26x3.2) | 2    |     |     |         |                      |
| 19     | 31057-181    | HEXAGON BOLT         | 2    |     |     |         |                      |
| 20     | 68036-101    | WASHER (9x25x2.3)    | 2    |     |     |         |                      |
| 21     | 11006-151    | STAY C.P.            | 1    |     |     |         |                      |
| 22     | 11006-152    | STAY C.P.            | 1    |     |     |         |                      |
| 23     | 342L0612     | FLANGE TAPPING BOLT  | 2    |     |     |         |                      |
| 24     | 31057-255    | HEXAGON BOLT (M8x25) | 2    |     |     |         |                      |
| 25     | 584L0800     | U-FLANGE NUT         | 2    |     |     |         |                      |
| 26     | 71122-110    | ADJUSTER ASS'Y       | 1    |     |     |         |                      |
| 27     | 11142-125    | ADJUSTER             | 1    |     |     |         |                      |
| 28     | 11102-228    | HOLDER               | 1    |     |     |         |                      |
| 29     | 916B6202     | BEARING (6202DDC3)   | 1    |     |     |         |                      |
| 30     | 71122-111    | ADJUSTER ASS'Y       | 1    |     |     |         |                      |
| 31     | 11142-126    | ADJUSTER             | 1    |     |     |         |                      |
| 32     | 11102-228    | HOLDER               | 1    |     |     |         |                      |
| 33     | 916B6202     | BEARING (6202DDC3)   | 1    |     |     |         |                      |
| 34     | 11150-105-09 | ADJUST LEVER         | 2    |     |     |         |                      |
| 35     | 36061-121    | KNOB                 | 2    |     |     |         |                      |
| 36     | 613L0800     | PLAIN WASHER         | 2    |     |     |         |                      |
| 37     | 569L0800     | FLANGE NYLON NUT     | 2    |     |     |         |                      |
| 38     | 71041-145    | WHEEL ASS'Y          | 2    |     |     |         |                      |
| 39     | 91086-116    | TIRE                 | 2    |     |     |         |                      |
| 41     | 916B6002     | BEARING (6002DDC3)   | 4    |     |     |         |                      |
| 43     | 51113-119    | RING                 | 2    |     |     |         |                      |
| 44     | 31057-181    | HEXAGON BOLT         | 2    |     |     |         |                      |
| 45     | 68036-101    | WASHER (9x25x2.3)    | 2    |     |     |         |                      |
| 46     | 11006-153    | STAY C.P.            | 1    |     |     |         |                      |
| 47     | 11006-154    | STAY C.P.            | 1    |     |     |         |                      |
| 48     | 11153-112    | BUMPER               | 1    |     |     |         |                      |
| 49     | 335L0625     | FLANGE BOLT          | 6    |     |     |         |                      |
| 50     | 569L0600     | FLANGE NYLON NUT     | 6    |     |     |         |                      |
| 51     | 11142-127    | ADJUSTER             | 1    |     |     |         |                      |
| 52     | 11142-128    | ADJUSTER             | 1    |     |     |         |                      |
| 53     | 11150-109-09 | ADJUST LEVER         | 1    |     |     |         |                      |
| 54     | 36061-121    | KNOB                 | 2    |     |     |         |                      |
| 55     | 68036-101    | WASHER (9x25x2.3)    | 2    |     |     |         |                      |
| 56     | 31058-176    | HEXAGON NUT          | 2    |     |     |         |                      |
| 57     | 68013-393    | SPRING               | 4    |     |     |         |                      |
| 58     | 11150-114-09 | ADJUST LEVER         | 1    |     |     |         |                      |
|        |              |                      |      |     |     |         |                      |
|        |              |                      |      |     |     |         |                      |



HANDLE PRO

(A): LM5361SXA-PRO

Brand: CAIMAN

Date: 10-Apr-2014

(B):

P.cd: 608452

Revision: 00

(C):

| Ref.No | Parts.No      | Parts.Name           | Q'ty |     |     | Remarks | Recomm(%)<br>Lot.100 |
|--------|---------------|----------------------|------|-----|-----|---------|----------------------|
|        |               |                      | (A)  | (B) | (C) |         |                      |
| 1      | 51027-268-103 | HANDLE               | 1    |     |     |         |                      |
| 2      | 51027-269-103 | HANDLE               | 1    |     |     |         |                      |
| 3      | 11095-172     | LEVER                | 1    |     |     |         |                      |
| 4      | 36110-102     | BUTTON               | 1    |     |     |         |                      |
| 5      | 11049-109     | SLIDE PLATE          | 1    |     |     |         |                      |
| 6      | 64014-336     | SHAFT                | 1    |     |     |         |                      |
| 7      | 376L0612      | (+)TRUSS SCREW       | 1    |     |     |         |                      |
| 8      | 71203-135     | ARM C.P.             | 1    |     |     |         |                      |
| 9      | 76007-183     | BUSH                 | 1    |     |     |         |                      |
| 10     | 68013-371     | SPRING               | 1    |     |     |         |                      |
| 11     | 31056-127     | GIB-HEADED PIN       | 1    |     |     |         |                      |
| 12     | 576V0600      | PUSH NUT             | 1    |     |     |         |                      |
| 13     | 68013-392     | SPRING               | 1    |     |     |         |                      |
| 14     | 11109-111     | LINK                 | 1    |     |     |         |                      |
| 15     | 61023-190     | SLEEVE               | 1    |     |     |         |                      |
| 16     | 64014-337     | SHAFT                | 1    |     |     |         |                      |
| 17     | 812V0800      | C-SNAP RING          | 1    |     |     |         |                      |
| 18     | 613L0800      | PLAIN WASHER         | 1    |     |     |         |                      |
| 19     | 71161-114-09  | LEVER ASS'Y          | 1    |     |     |         |                      |
| 21     | 76007-131     | BUSH                 | 2    |     |     |         |                      |
| 22     | 68013-391     | SPRING               | 1    |     |     |         |                      |
| 23     | 91010-200     | THROTTLE LEVER       | 1    |     |     |         |                      |
| 24     | 61003-113     | THRUST PLATE         | 1    |     |     |         |                      |
| 25     | 68013-356     | SPRING               | 1    |     |     |         |                      |
| 26     | 31058-168     | HEXAGON NUT          | 1    |     |     |         |                      |
| 27     | 11095-117     | LEVER                | 1    |     |     |         |                      |
| 28     | 31062-109     | PRE-COAT LOCK BOLT   | 1    |     |     |         |                      |
| 37     | 68013-161     | SPRING               | 1    |     |     |         |                      |
| 38     | 71906-813     | COVER ASS'Y          | 1    |     |     |         |                      |
| 39     | 470L0514      | (+)TAPPING SCREW     | 2    |     |     |         |                      |
| 40     | 71906-525     | BOLT SET             | 1    |     |     |         |                      |
| 41     | 569L0800      | FLANGE NYLON NUT     | 4    |     |     |         |                      |
| 42     | 31057-256     | HEXAGON BOLT         | 4    |     |     |         |                      |
| 43     | 583L0800      | FLANGE CAP NUT       | 6    |     |     |         |                      |
| 44     | 11012-132     | HANGER BAND          | 2    |     |     |         |                      |
| 45     | 31057-181     | HEXAGON BOLT         | 2    |     |     |         |                      |
| 46     | 68028-118     | WIRE BAND (GT280)    | 3    |     |     |         |                      |
| 47     | 66008-103     | PLUG BOX BAR (8x200) | 1    |     |     |         |                      |
| 48     | 66006-125     | BOX SPANNER          | 1    |     |     |         |                      |
| 49     | 71900-846     | BAR SET              | 1    |     |     |         |                      |
| 50     | 91001-392     | THROTTLE WIRE        | 1    |     |     |         |                      |
| 51     | 91003-168     | CONTROL CABLE        | 1    |     |     |         |                      |
| 52     | 11062-178     | FRAME C.P.           | 1    |     |     |         |                      |
| 53     | 36098-136     | GRASS BAG C.P.       | 1    |     |     |         |                      |
| 54     | 41003-201     | TUBE (15.6x800L)     | 1    |     |     |         |                      |
| 55     | 68028-119     | WIRE BAND (SHT18R-W) | 2    |     |     |         |                      |
| 56     | 36080-156     | RUBBER SHEET         | 1    |     |     |         |                      |
| 57     | 91003-125     | CONTROL CABLE        | 1    |     |     |         |                      |
| 58     | 91003-189     | CONTROL CABLE        | 1    |     |     |         |                      |
|        |               |                      |      |     |     |         |                      |
|        |               |                      |      |     |     |         |                      |

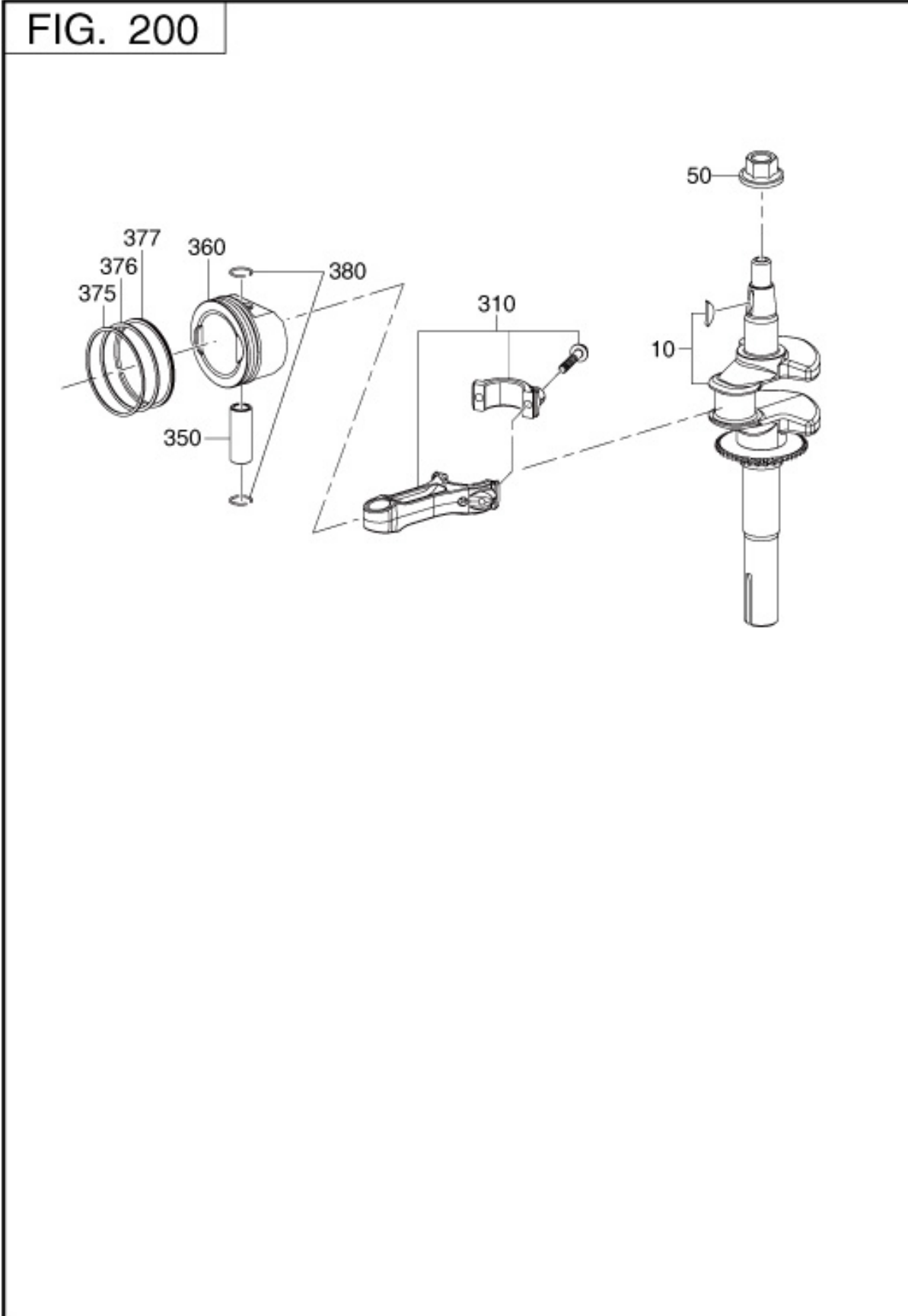


| REF. | PART NUMBER    | PART NAME            | CODE NO. | QTY | REMARKS          | INTERCHANGE    |
|------|----------------|----------------------|----------|-----|------------------|----------------|
| 10   | 11310Z02071099 | CRANK CASE           | -        | 1   |                  |                |
| 30   | 90682Z02021000 | OIL SEAL             | -        | 1   | 25DX35DX7B       |                |
| 40   | 905480205CL    | BALL BEARING         | -        | 1   |                  |                |
| 44   | 90408Z02011000 | WASHER               | -        | 1   | 37DX27. 4DX1T    |                |
| 50   | 90502081000    | DOWEL PIN            | -        | 2   | 8DX6. 5DX10L     |                |
| 60   | 90204Z02041000 | STUD                 | -        | 2   |                  |                |
| 70   | 90204Z02031000 | STUD                 | -        | 2   | M6X100L          |                |
| 80   | 11007Z01011000 | OIL DRAIN PLUG       | -        | 1   |                  |                |
| 90   | 90408Z01011000 | WASHER               | -        | 1   | 10DX15. 8DX1. 5T |                |
| 210  | 11411Z02021000 | CRANKCASE COVER      | -        | 1   |                  |                |
| 220  | 90682Z02011000 | OIL SEAL             | -        | 1   | 27DX42DX7B       |                |
| 250  | 16400Z02032000 | GOVERNOR GEAR ASSY   | -        | 1   |                  |                |
| 258  | 900070616A1    | BOLT                 | -        | 1   | M6X16L           |                |
| 285  | 15010Z020210Q2 | DIPSTICK ASSY        | -        | 1   |                  |                |
| 287  | 900070630A1    | BOLT                 | -        | 1   | M6X30L           |                |
| 290  | 11001Z02013000 | SUMP GASKET          | -        | 1   |                  |                |
| 300  | 900070630A1    | BOLT                 | -        | 6   | M6X30L           |                |
| 580  | 19340Z02012000 | AIR GUIDE            | -        | 1   |                  |                |
| 585  | 900070616A1    | BOLT                 | -        | 2   | M6X16L           |                |
| 610  | 12140Z02021000 | CYLINDER HEAD ASSY   | -        | 1   |                  |                |
| 620  | 12131Z02031000 | CYLINDER HEAD GASKET | -        | 1   |                  |                |
| 630  | 12003Z02011000 | BOLT                 | -        | 3   | M8X65L           | 12003Z02022000 |
| 631  | 12003Z02022000 | BOLT                 | -        | 1   | M8X72L           |                |
| 680  | 12411Z02021000 | VALVE COVER          | -        | 1   |                  |                |
| 690  | 12004Z02032000 | VALVE COVER GASKET   | -        | 1   |                  |                |
| 700  | 90502101400    | DOWEL PIN            | -        | 2   | 10DX8DX14L       |                |
| 710  | 900070614A1    | BOLT                 | -        | 4   | M6X14L           |                |
| 711  | 900070625A1    | BOLT                 | -        | 2   | M6X25L           |                |
| 810  | 11333Z02031000 | BREATHER COVER       | -        | 1   |                  |                |
| 820  | 11320Z02021000 | BREATHER             | -        | 1   |                  |                |



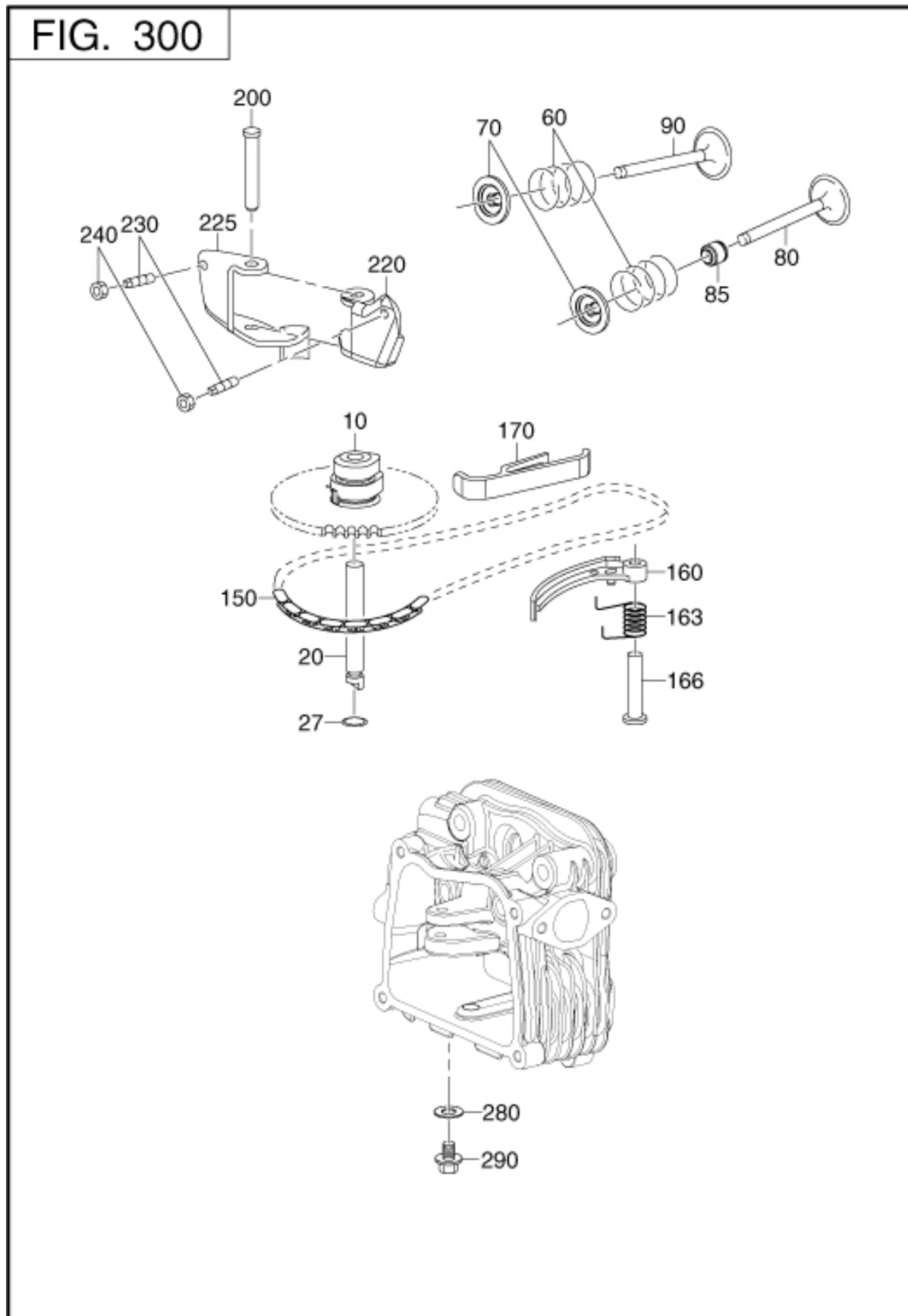
| REF. | PART NUMBER    | PART NAME           | CODE NO. | QTY | REMARKS | INTERCHANGE |
|------|----------------|---------------------|----------|-----|---------|-------------|
| 830  | 11332Z02051000 | BREATHER COV GASKET | -        | 1   |         |             |
| 840  | 11332Z02041000 | BREATHER COV GASKET | -        | 1   |         |             |
| 858  | 90509Z02011000 | DOWEL PIN           | -        | 1   |         |             |
| 860  | 902590620A1    | BOLT                | -        | 1   | M6X20L  |             |

2 CRANKSHAFT,PISTON



| REF. | PART NUMBER    | PART NAME            | CODE NO. | QTY | REMARKS | INTERCHANGE |
|------|----------------|----------------------|----------|-----|---------|-------------|
| 10   | 13300Z02201000 | CRANK SHAFT ASSY     | -        | 1   |         |             |
| 50   | 13501Z01011000 | FLY WHEEL NUT        | -        | 1   |         |             |
| 310  | 13010Z02011000 | CONNECTING ROD ASSY  | -        | 1   |         |             |
| 350  | 13121Z02011000 | PISTON PIN           | -        | 1   |         |             |
| 360  | 13111Z02021099 | PISTON               | -        | 1   |         |             |
| 375  | 13201Z01011000 | FIRST PISTON RING    | -        | 1   |         |             |
| 376  | 13202Z01011000 | SECOND PISTON RING   | -        | 1   |         |             |
| 377  | 13210Z02011000 | OIL RING ASSY        | -        | 1   |         |             |
| 380  | 13122Z02011000 | PISTON PIN SNAP RING | -        | 2   |         |             |

3 INTAKE,EXHAUST

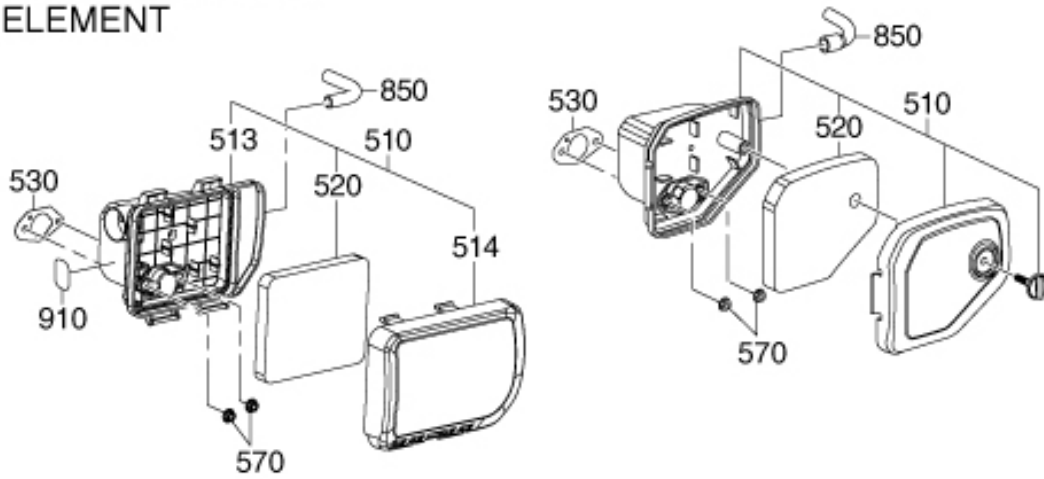


| REF. | PART NUMBER    | PART NAME          | CODE NO. | QTY | REMARKS | INTERCHANGE |
|------|----------------|--------------------|----------|-----|---------|-------------|
| 10   | 14200Z02042000 | CAM GEAR ASSY      | -        | 1   |         |             |
| 20   | 14216Z02011000 | CAM SHAFT          | -        | 1   |         |             |
| 27   | 90681Z02011000 | O-RING             | -        | 1   |         |             |
| 60   | 12103Z01011000 | VALVE SPRING       | -        | 2   |         |             |
| 70   | 12112Z02012000 | SPRING RETAINER    | -        | 2   |         |             |
| 80   | 12111Z02011000 | INLET VALVE        | -        | 1   |         |             |
| 85   | 12101Z01011000 | VALVE SEAL         | -        | 1   |         |             |
| 90   | 12121Z02011000 | EXHAUST VALVE      | -        | 1   |         |             |
| 150  | 90710Z02011000 | CHAIN              | -        | 1   | 88 LINK |             |
| 160  | 14440Z02011000 | TENSIONER          | -        | 1   |         |             |
| 163  | 14402Z02014000 | TENSIONER SPRING   | -        | 1   |         |             |
| 166  | 14403Z02012000 | TENSIONER SHAFT    | -        | 1   |         |             |
| 170  | 14009Z02011000 | CHAIN GUIDE        | -        | 1   |         |             |
| 200  | 14330Z02021000 | ROCKER ARM PIVOT   | -        | 1   |         |             |
| 220  | 14311Z02032000 | INLET ROCKER ARM   | -        | 1   |         |             |
| 225  | 14321Z02032000 | EXHAUST ROCKER ARM | -        | 1   |         |             |
| 230  | 14314Z02021000 | VALVE C/L ADJ STUD | -        | 2   |         |             |
| 240  | 14312Z02021000 | VALVE C/L ADJ NUT  | -        | 2   |         |             |
| 280  | 90406050031    | WASHER             | -        | 1   |         |             |
| 290  | 900070508A1    | BOLT               | -        | 1   | M5X8L   |             |

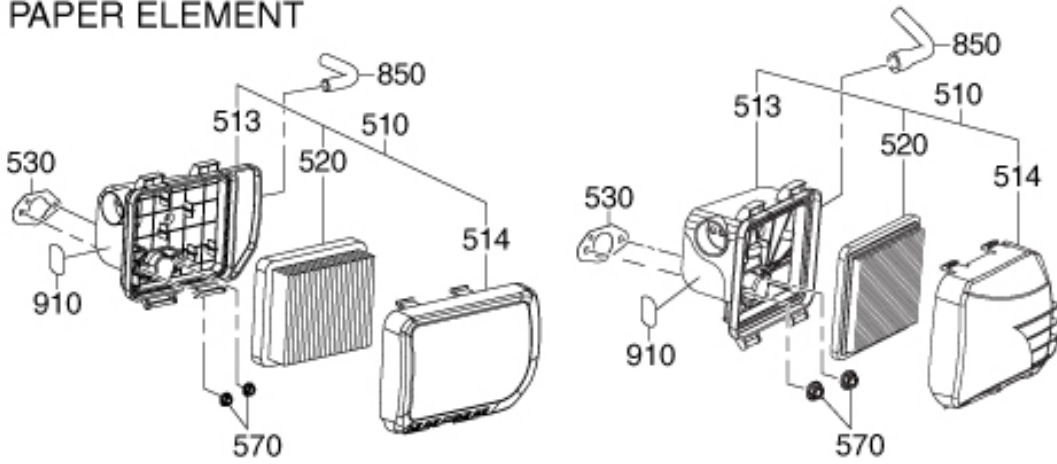
### 3 INTAKE EXHAUST

**FIG. 315**

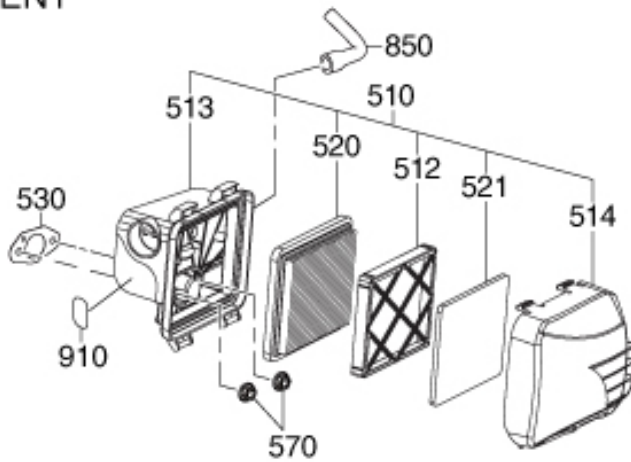
#### URETHANE FOAM ELEMENT



#### PAPER ELEMENT



#### DUAL ELEMENT



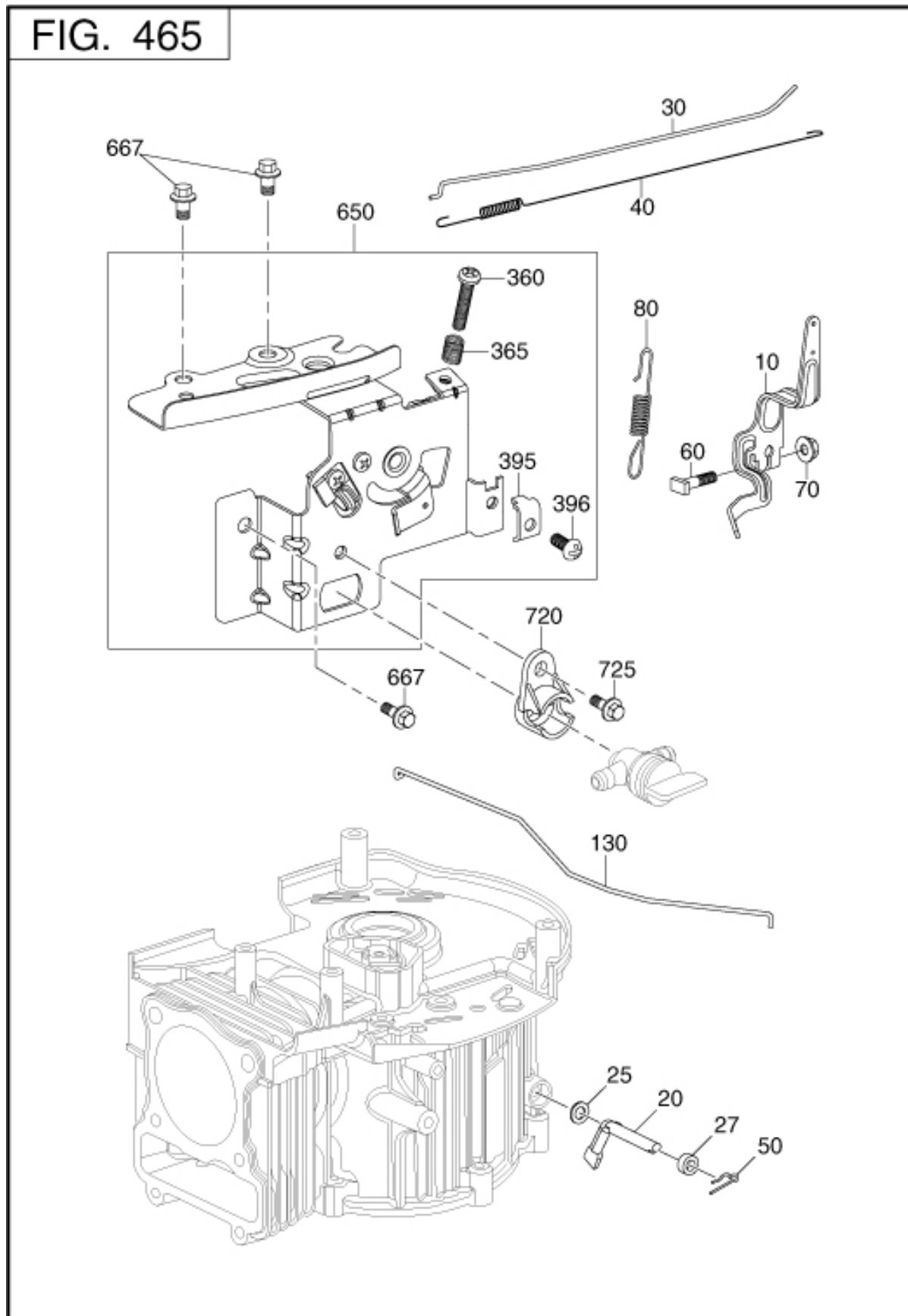
| REF. | PART NUMBER    | PART NAME           | CODE NO. | QTY | REMARKS | INTERCHANGE |
|------|----------------|---------------------|----------|-----|---------|-------------|
| 510  | 17100Z62011000 | AIR CLEANER AY      | -        | 1   | PAPER   |             |
| 513  | 17140Z62011000 | AIR CLEANER BASE    | -        | 1   |         |             |
| 514  | 17104Z62011000 | AIR CLEANER COVER   | -        | 1   |         |             |
| 520  | 17150Z03011000 | AIR CLEANER ELEMENT | -        | 1   | PAPER   |             |
| 530  | 17001Z02013000 | AIR CLEANER GASKET  | -        | 1   |         |             |
| 570  | 90305060031    | NUT                 | -        | 2   | M6      |             |
| 850  | 17004Z02021000 | BREATHER HOSE       | -        | 1   |         |             |





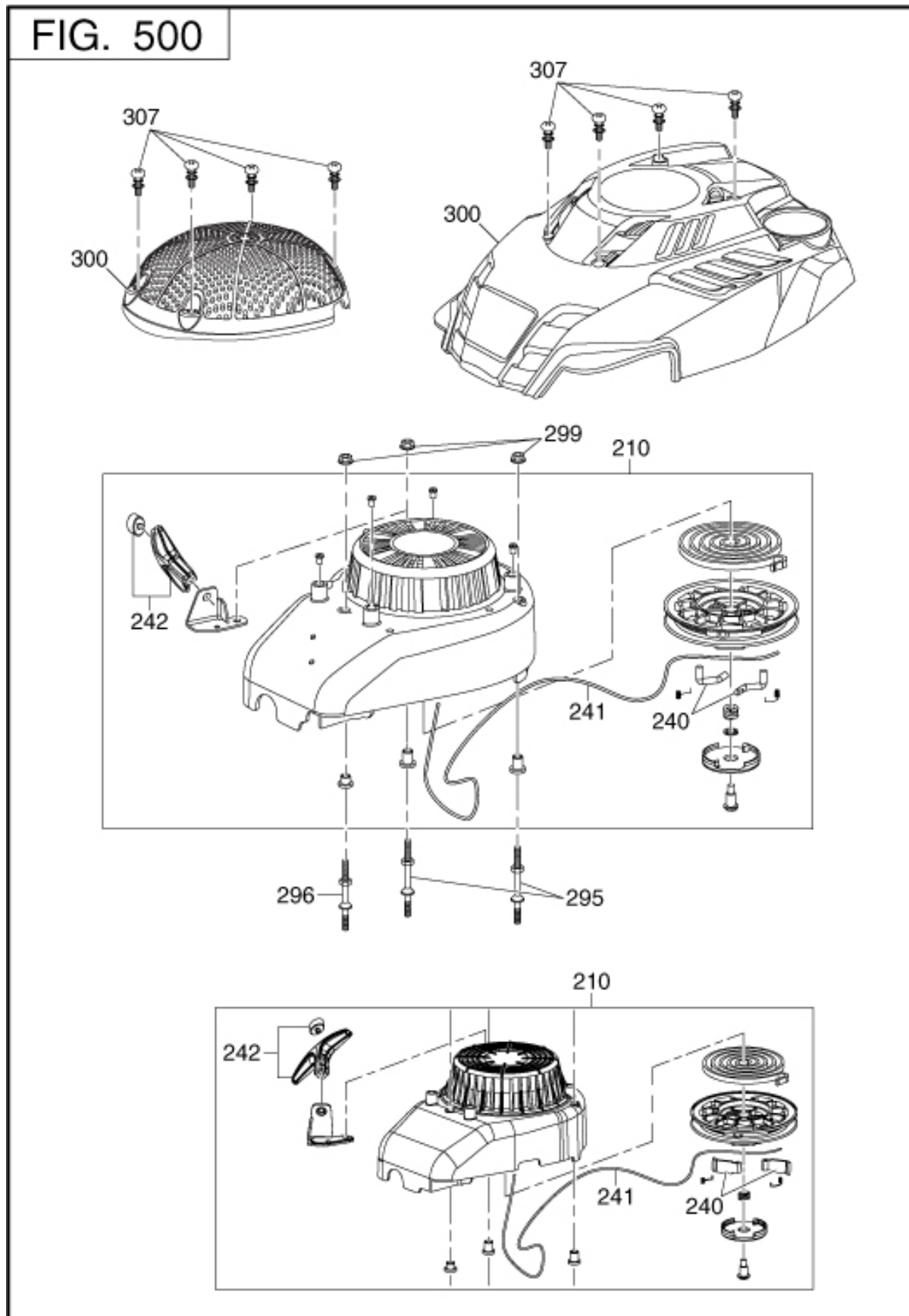
| REF. | PART NUMBER    | PART NAME          | CODE NO. | QTY | REMARKS | INTERCHANGE |
|------|----------------|--------------------|----------|-----|---------|-------------|
| 310  | 18100Z02061000 | MUFFLER            | -        | 1   |         |             |
| 320  | 18013Z02011000 | MUFFLER COVER      | -        | 1   |         |             |
| 340  | 18001Z02021000 | MUFFLER GASKET     | -        | 2   |         |             |
| 350  | 90305080031    | NUT                | -        | 2   | M8      |             |
| 360  | 900070614A1    | BOLT               | -        | 2   | M6X14L  |             |
| 420  | 16260Z02011000 | MUFFLER INSULATION | -        | 1   |         |             |

### 5 GOVERNOR OPERATION



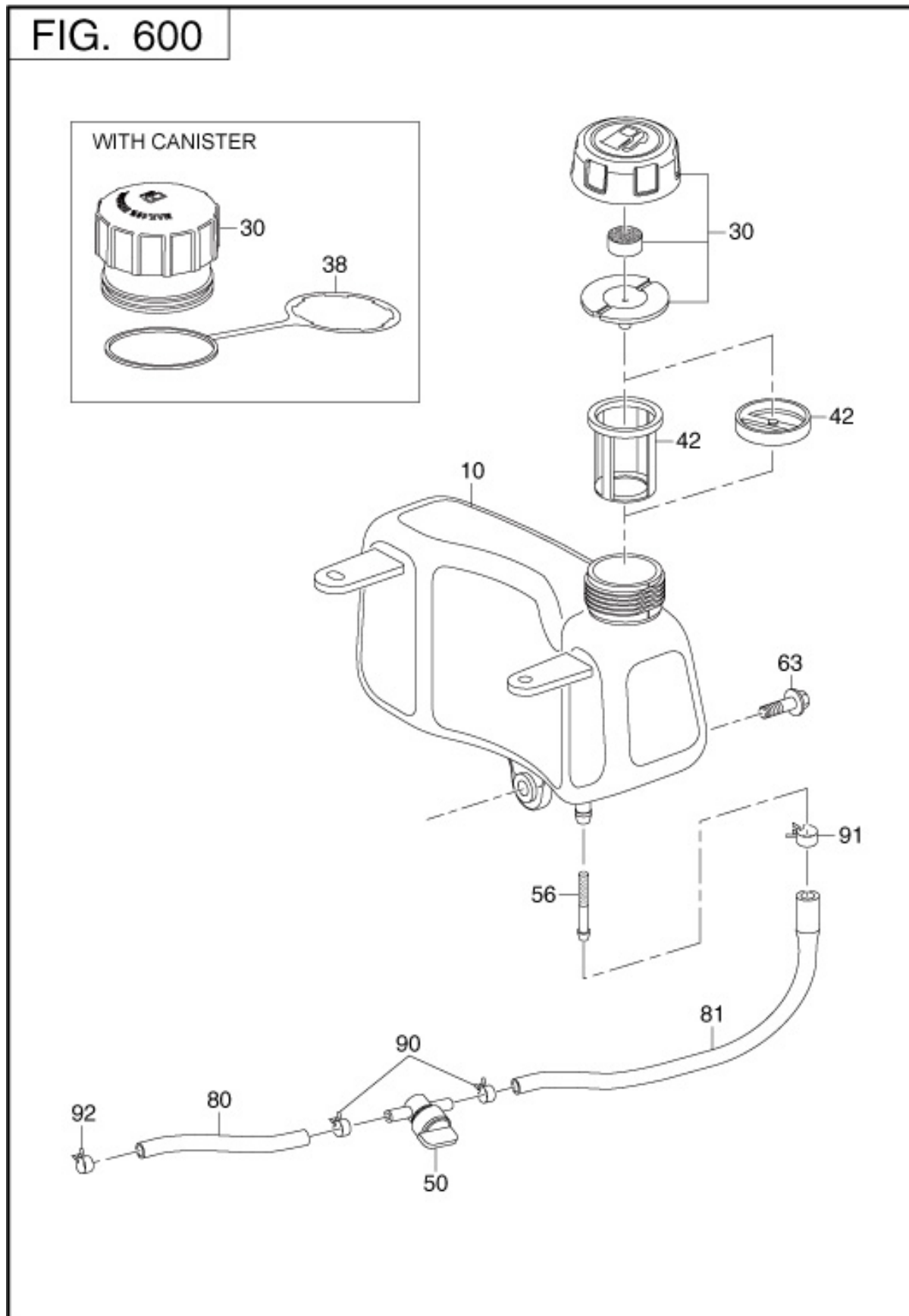
| REF. | PART NUMBER    | PART NAME            | CODE NO. | QTY | REMARKS         | INTERCHANGE |
|------|----------------|----------------------|----------|-----|-----------------|-------------|
| 10   | 16071Z02041000 | GOVERNOR LEVER       | -        | 1   |                 |             |
| 20   | 16061Z02021000 | GOVERNOR ARM         | -        | 1   |                 |             |
| 25   | 90408Z01021000 | WASHER               | -        | 1   | 15DX6. 2DX0. 6T |             |
| 27   | 90682Z03021000 | OIL SEAL             | -        | 1   | 6DX11DX4B       |             |
| 30   | 16062Z02051000 | THROTTLE CONTROL ROD | -        | 1   |                 |             |
| 40   | 16012Z02022000 | TH RETURNING SPRING  | -        | 1   |                 |             |
| 50   | 90501Z01011000 | COTTER PIN           | -        | 1   |                 |             |
| 60   | 16072Z01011000 | BOLT                 | -        | 1   | M6X21L          |             |
| 70   | 90305060031    | NUT                  | -        | 1   | M6              |             |
| 80   | 16063Z02061000 | GOVERNOR SP CSC2P    | -        | 1   |                 |             |
| 130  | 16123Z62011000 | CHOKE ROD(AUTOCHOKE) | -        | 1   |                 |             |
| 360  | 90103054251    | ADJUSTING SCREW      | -        | 1   |                 |             |
| 365  | 16527Z03012000 | SPRING               | -        | 1   |                 |             |
| 395  | 16532Z02011000 | CLAMP                | -        | 1   |                 |             |
| 396  | 90103051251    | SCREW                | -        | 1   |                 |             |
| 650  | 16520Z02141000 | THROTTLE CTL BRACKET | -        | 1   |                 |             |
| 667  | 900070614A1    | BOLT                 | -        | 3   | M6X14L          |             |
| 720  | 16757Z02012000 | FUEL VALVE BASE      | -        | 1   |                 |             |
| 725  | 900070514A1    | BOLT                 | -        | 1   | M5X14L          |             |

5 COOLING STARTING



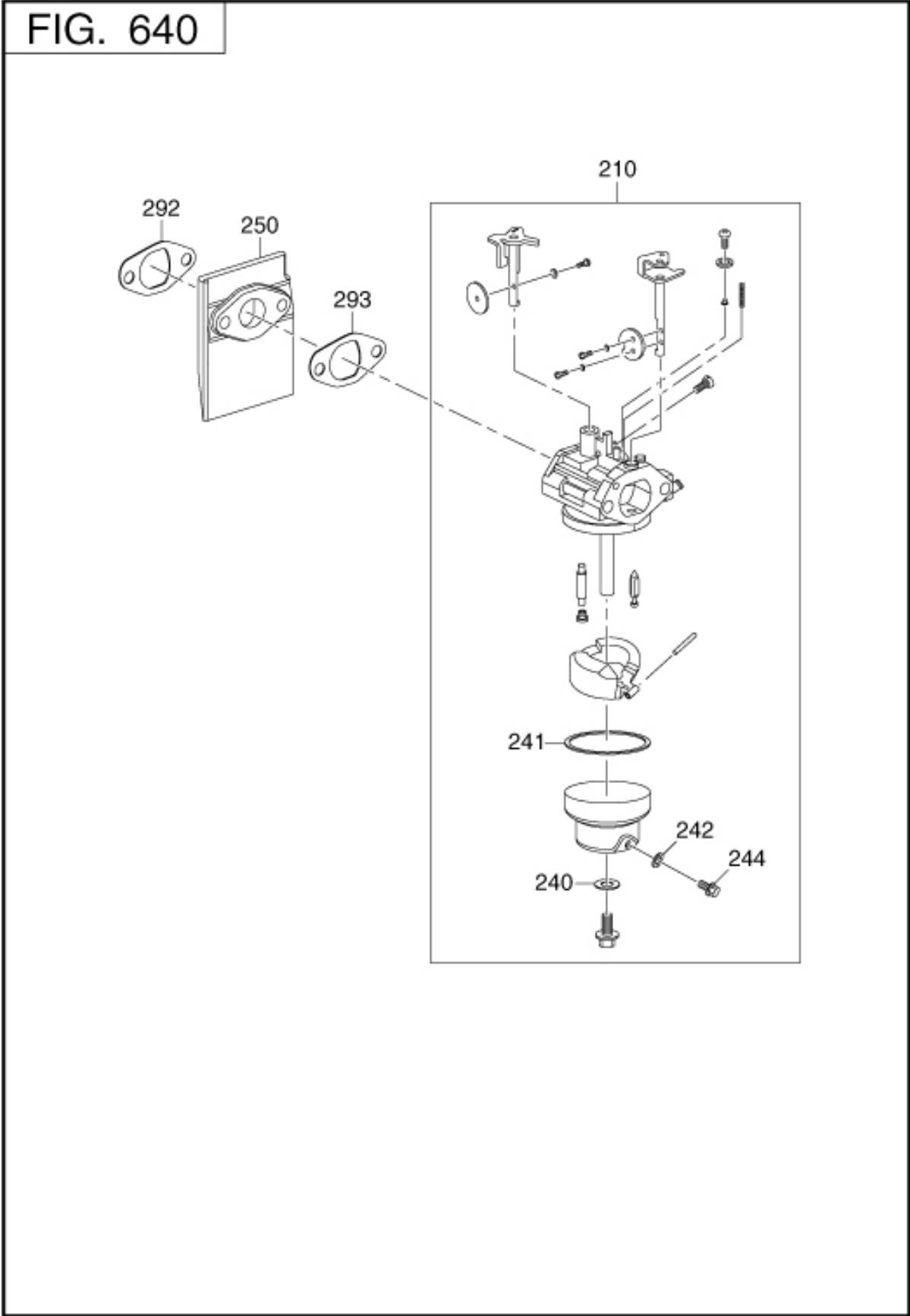
| REF. | PART NUMBER    | PART NAME           | CODE NO. | QTY | REMARKS | INTERCHANGE |
|------|----------------|---------------------|----------|-----|---------|-------------|
| 210  | 28200Z020510Q2 | RECOIL STARTER      | -        | 1   |         |             |
| 240  | 28239Z24011000 | PAWL                | -        | 2   |         |             |
| 241  | 28221Z03011000 | RECOIL ROPE (2.1M)  | -        | 1   |         |             |
| 242  | 28210Z02021000 | RECOIL KNOB         | -        | 1   |         |             |
| 295  | 28001Z02012000 | STUD                | -        | 3   | M6X83L  |             |
| 299  | 90305060031    | NUT                 | -        | 3   | M6      |             |
| 300  | 80001Z020410Q2 | ENGINE SHROUD MOWER | -        | 1   |         |             |
| 307  | 90254052051    | SCREW ASSY M5X20    | -        | 4   | M5X20L  |             |

6 FUEL LUBRICANT



| REF. | PART NUMBER    | PART NAME     | CODE NO. | QTY | REMARKS          | INTERCHANGE |
|------|----------------|---------------|----------|-----|------------------|-------------|
| 10   | 16620Z62011002 | FUEL TANK     | -        | 1   | 1. 2L            |             |
| 30   | 16730Z020210G4 | TANK CAP ASSY | -        | 1   |                  |             |
| 42   | 16672Z620110QG | FUEL LEVEL    | -        | 1   |                  |             |
| 50   | 16752Z02011000 | FUEL VALVE    | -        | 1   |                  |             |
| 56   | 16652Z03011000 | FUEL FILTER   | -        | 1   |                  |             |
| 63   | 900070625A1    | BOLT          | -        | 1   | M6X25L           |             |
| 80   | 90686Z02021000 | FUEL HOSE     | -        | 1   |                  |             |
| 81   | 90686Z02032000 | FUEL HOSE     | -        | 1   | 4X8X300          |             |
| 90   | 90685Z02011000 | HOSE CLAMP    | -        | 2   | 9. 5DX8DX0. 8T   |             |
| 91   | 90685Z02021000 | HOSE CLAMP    | -        | 1   | 11. 5DX10BX0. 8T |             |
| 92   | 90685Z03022000 | HOSE CLAMP    | -        | 1   | 7. 5DX8DX0. 8T   |             |

6 FUEL LUBRICANT

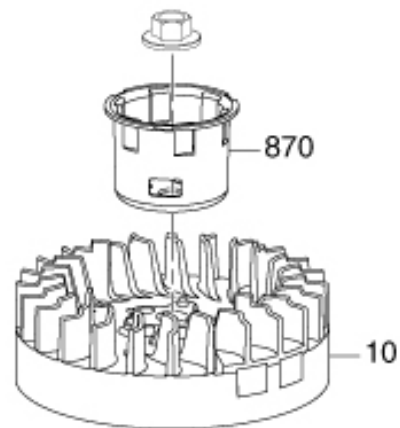
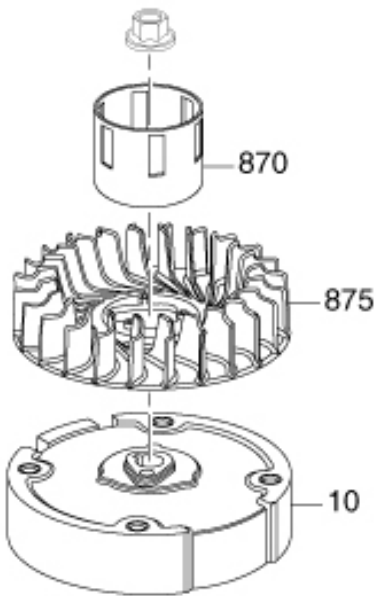
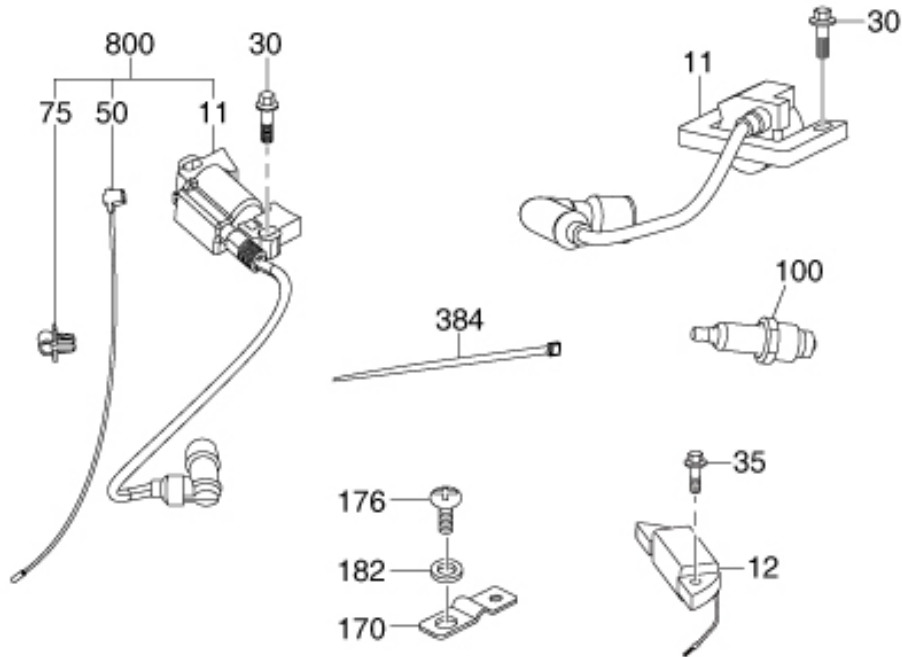




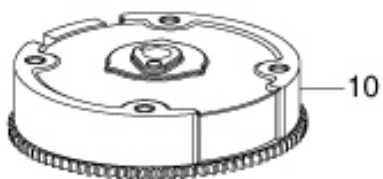
| REF. | PART NUMBER    | PART NAME          | CODE NO. | QTY | REMARKS | INTERCHANGE |
|------|----------------|--------------------|----------|-----|---------|-------------|
| 210  | 16100Z02091099 | CARBURETOR ASSY    | -        | 1   |         |             |
| 240  | 90681Z02011000 | O-RING             | -        | 1   |         |             |
| 241  | 16112Z02011000 | O-RING,FUEL CUP    | -        | 1   |         |             |
| 242  | 90409Z02011000 | PACKING,DRAIN BOLT | -        | 1   |         |             |
| 244  | 16193Z02011000 | DRAIN BOLT         | -        | 1   |         |             |
| 250  | 16003Z02022099 | INSULATOR          | -        | 1   |         |             |
| 292  | 16002Z02011000 | INSULATOR GASKET   | -        | 1   |         |             |
| 293  | 16001Z02012000 | CARBURETOR GASKET  | -        | 1   |         |             |

7 ELECTRIC DEVICE

FIG. 700



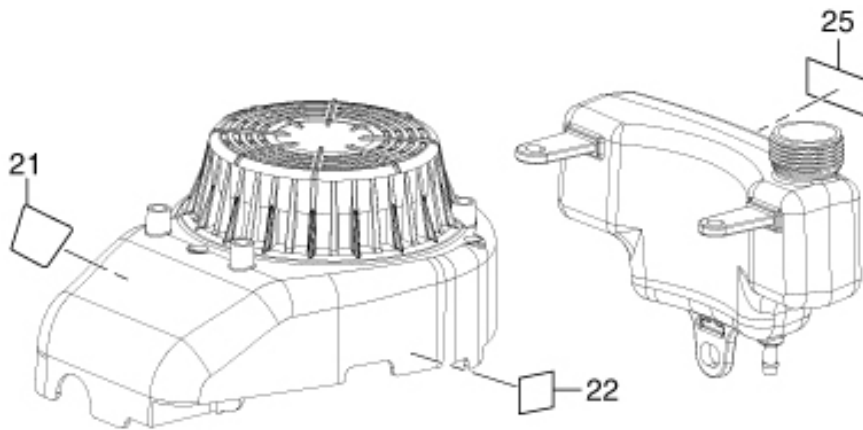
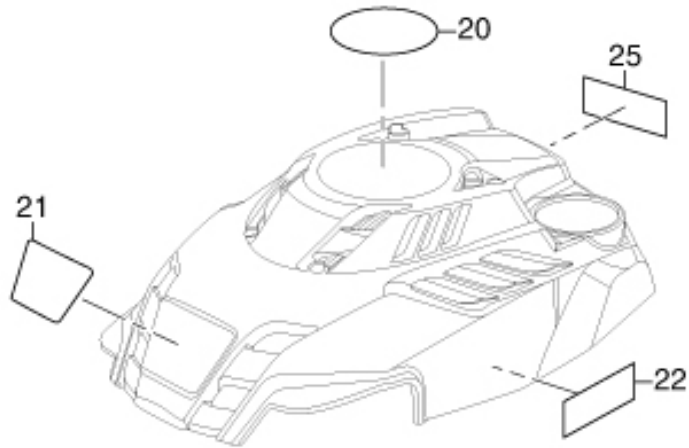
Electric starter Model



| REF. | PART NUMBER    | PART NAME     | CODE NO. | QTY | REMARKS     | INTERCHANGE |
|------|----------------|---------------|----------|-----|-------------|-------------|
| 10   | 13510Z02051000 | FLY WHEEL     | -        | 1   |             |             |
| 11   | 30400Z02121000 | IGNITION COIL | -        | 1   |             |             |
| 30   | 900070625A1    | BOLT          | -        | 1   | M6X25L      |             |
| 75   | 90684Z02011000 | PLASTIC CLAMP | -        | 1   |             |             |
| 100  | 30010Z02012000 | SPARK PLUG    | -        | 1   | TORCH E7RTC |             |
| 870  | 28002Z02021000 | START CUP     | -        | 1   |             |             |
| 875  | 19352Z01011000 | COOLING FAN   | -        | 1   |             |             |

9 ACCESSORIES LABEL

FIG. 900



| REF. | PART NUMBER    | PART NAME           | CODE NO. | QTY | REMARKS | INTERCHANGE |
|------|----------------|---------------------|----------|-----|---------|-------------|
| 20   | 88013Z02021000 | TRADE MARK LABEL    | -        | 1   |         |             |
| 22   | 88025Z02052000 | FUEL COCK LABEL CSC | -        | 1   |         |             |
| 25   | 88001Z02011000 | WARNING LABEL       | -        | 1   |         |             |