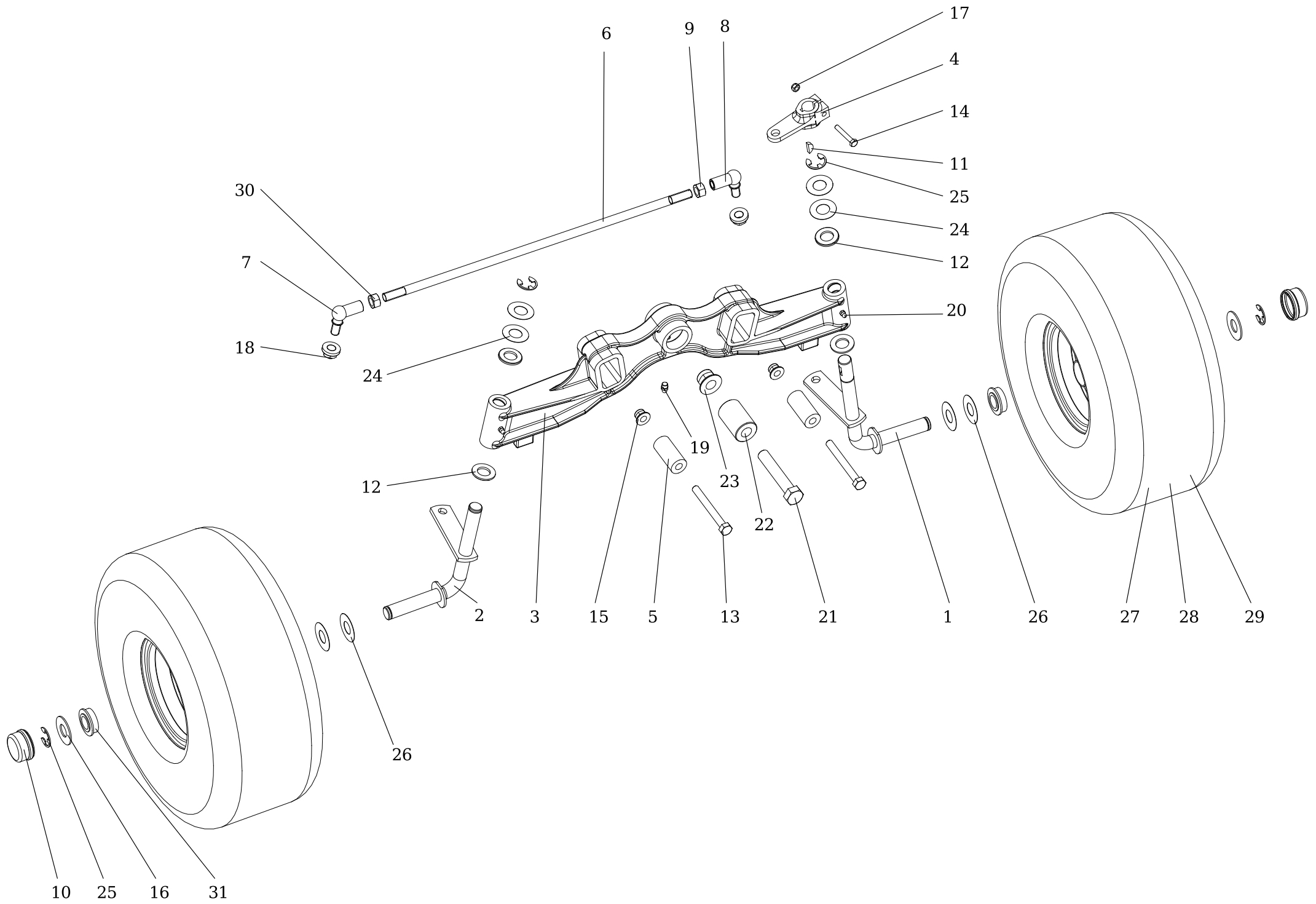


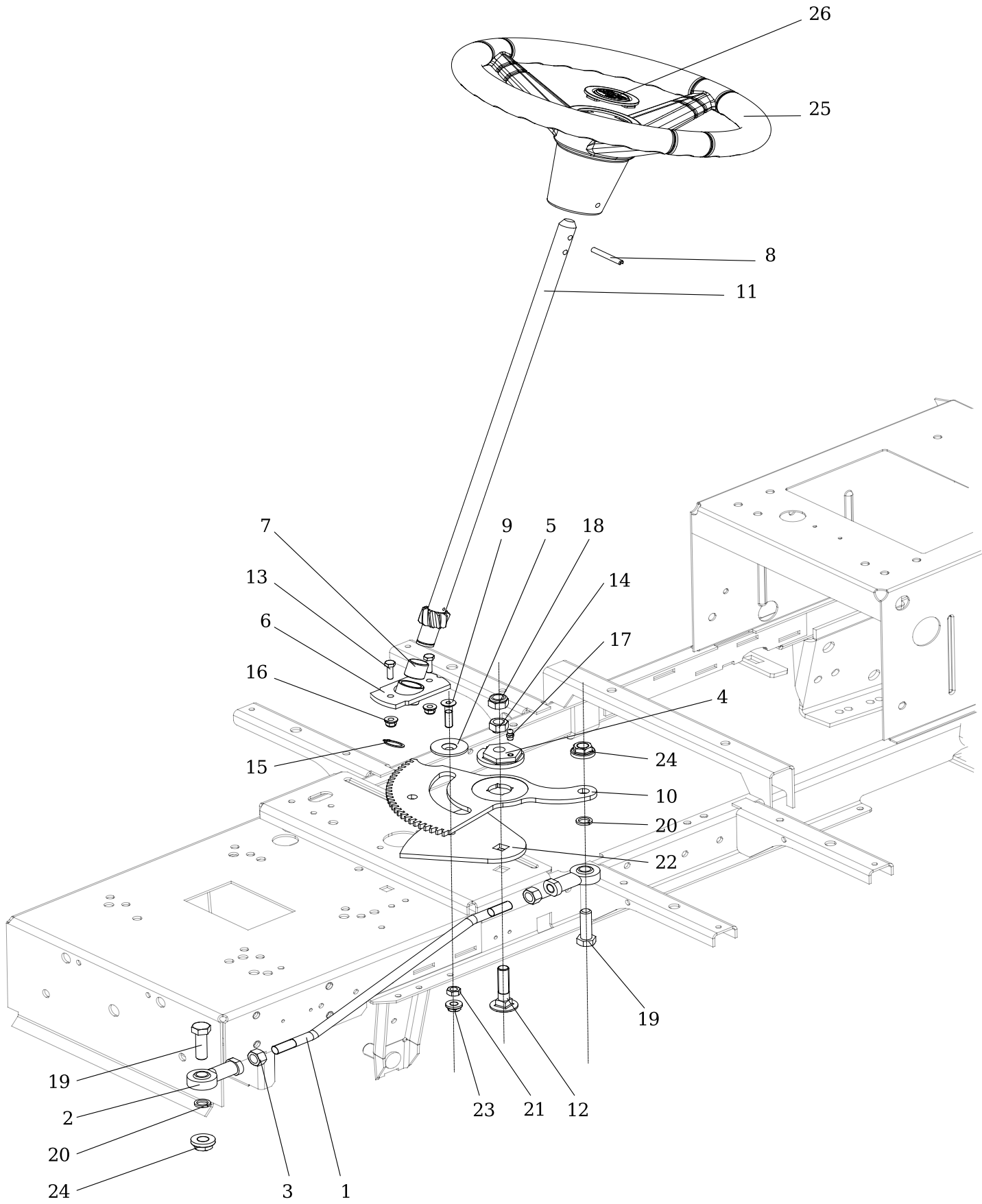
KUJ01-16-0003 - Engine 20HP Kaw

| | | |
|----|---------------|--|
| 1 | N482349036 | Engine 20 HP KAWASAKI |
| 2 | N309578543 | Screw 3/8X1.25 DIN 933 DIN 933 |
| 3 | N443900129 | Exhaust NELSON 24 500 N-20 |
| 4 | N311219523 | Washer10 RIPP LOCK BN13291 BN13291 |
| 5 | S532092312133 | PIN K MOT. B+S 12+15 |
| 6 | N283292223 | Label 0-8732-337 Safety |
| 7 | N532980071 | Hook 0-9242-240 |
| 8 | N309578540 | Screw M 8X25 DIN 7500D BN 3326 DIN 7500D BN 3326 |
| 9 | N309503517 | Screw M 8X16 ČSN021103.55 |
| 10 | N311210503 | Washer 8.4 ČSN021702.15 |
| 11 | N311214501 | Washer 6 ČSN021740.15 |
| 12 | S532085427603 | Exhaust cover UJ |
| 13 | N532151253 | Hose with cap |
| 14 | N443900095 | Accelerator lever 9-8071-226 GAR-001 |
| 15 | N443900148 | Accelerator lever 0-8060-244 black |
| 16 | N309231535 | Screw M 4X14 021131.25 ČSN021131.25 |
| 17 | N311129514 | Nut M 4 ČSN021492.55 |
| 18 | S532080302873 | Reinforcemennts |
| 19 | N311122501 | Nut W 1/4"-20 UNC ZINK. kod 02600,063,001 |
| 20 | N309251515 | Screw M 5X16 ČSN021151.25 |
| 21 | N311129515 | Nut M 5 ČSN021492.55 |
| 22 | N443612011 | Choke 9-8074-277 |
| 23 | S532927442543 | Exhaust pipe Left UJ KAWASAKI |
| 24 | S532927442553 | Exhust pipe Right UJ KAWASAKI |
| 25 | S532113402093 | Exhaust holder UJ |
| 26 | N311214502 | Washer 8 ČSN021740.15 |
| 27 | N309578517 | Screw M 6X16 DIN 7500D BN 3326 DIN 7500D BN 3326 |
| 28 | N532151345 | Engine pulley 9-3325-295 K 46 dimension 107 |
| 29 | S532912962843 | Frame complete UJ/2014 |



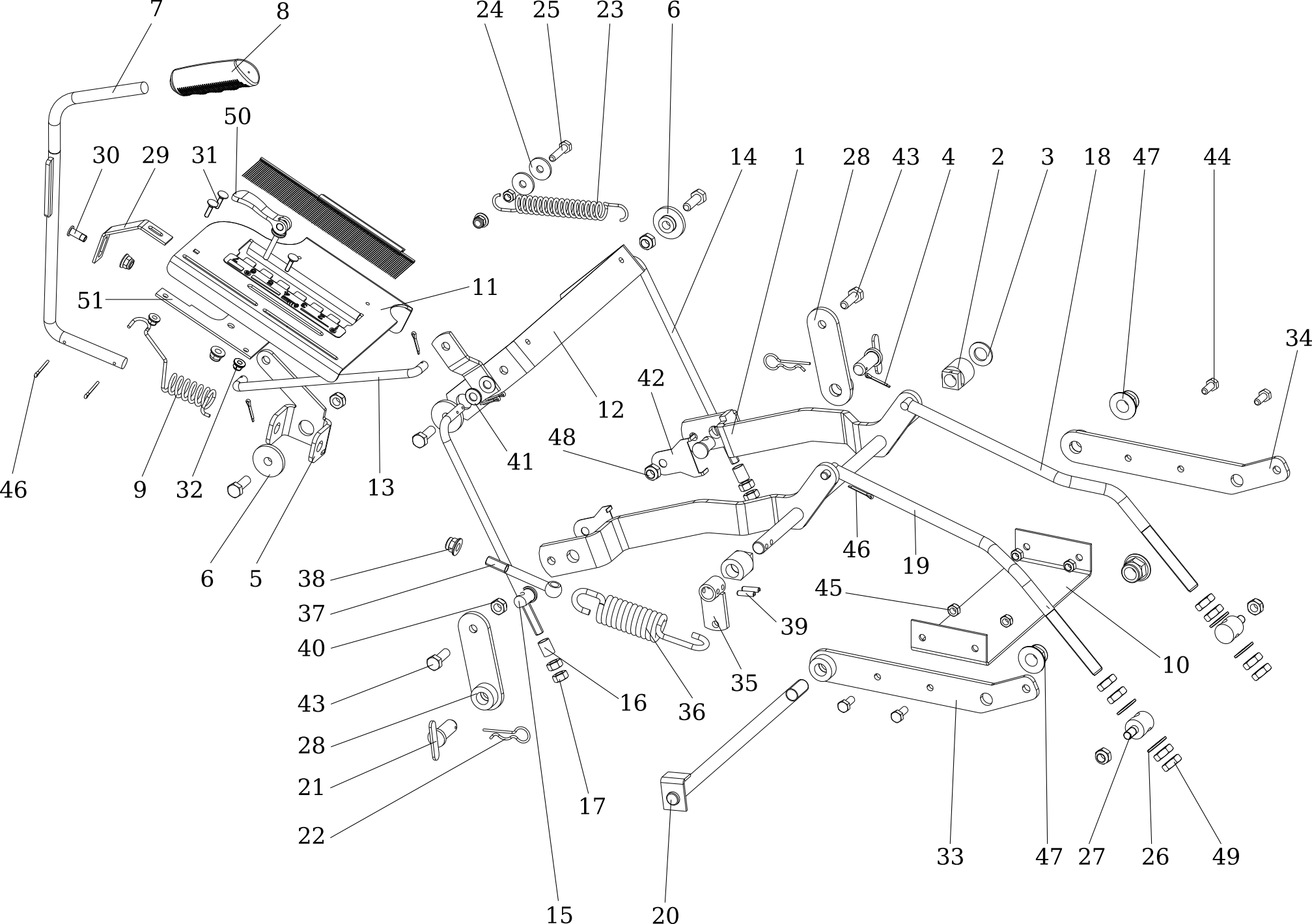
KUJ03-14-0001- Front axle UJ

| | | |
|----|---------------|-----------------------------------|
| 1 | S532916432143 | Pin left |
| 2 | S532916432153 | Pin right |
| 3 | S532016542083 | Axle |
| 4 | S532080503603 | Lever |
| 5 | S532195203533 | Spacer |
| 6 | N532151336 | Connecting rod 0-9010-572 |
| 7 | N442073020 | Angular joint 16 R DIN71802CS M12 |
| 8 | N442073019 | Angular joint 16 L DIN71802CS M12 |
| 9 | N311120539 | Nut M12 left |
| 10 | N532150915 | Cover 0-8025-237 |
| 11 | N311728003 | Woodruff key 5e7X7.5 |
| 12 | N311210514 | Washer 19 |
| 13 | N309501527 | Screw M 10X80 |
| 14 | N309203524 | Screw M 6X40 |
| 15 | N311129523 | Nut M 10 DIN 6926 Zinc |
| 16 | S532092208363 | Washer |
| 17 | N311129513 | Nut M 6 |
| 18 | N311129521 | Nut M 12 DIN 6923 8 Zinc. toothed |
| 19 | N425111016 | Lubricating head MK 8x1 |
| 20 | N425111004 | Lubricating head MK 6x1 |
| 21 | N309501524 | Screw M 8x90 |
| 22 | S532093202793 | Pin |
| 23 | N311129527 | Nut M 16 DIN 6926 |
| 24 | S532092208383 | Washer |
| 25 | N311732023 | Lock ring E-75 3/4 |
| 26 | S532092208153 | Washer |
| 27 | N532940164 | Wheel front 16x6.5-8 Grassmaster |
| 28 | N325111024 | Wheel disc front 5.50AX8H2 OTR 20 |
| 29 | N274161023 | Tyre front 16/6,5x8 Multi trac |
| 30 | N311120504 | Nut M 12 |
| 31 | N324196019 | Front wheel bearing 3/4 Compensa |



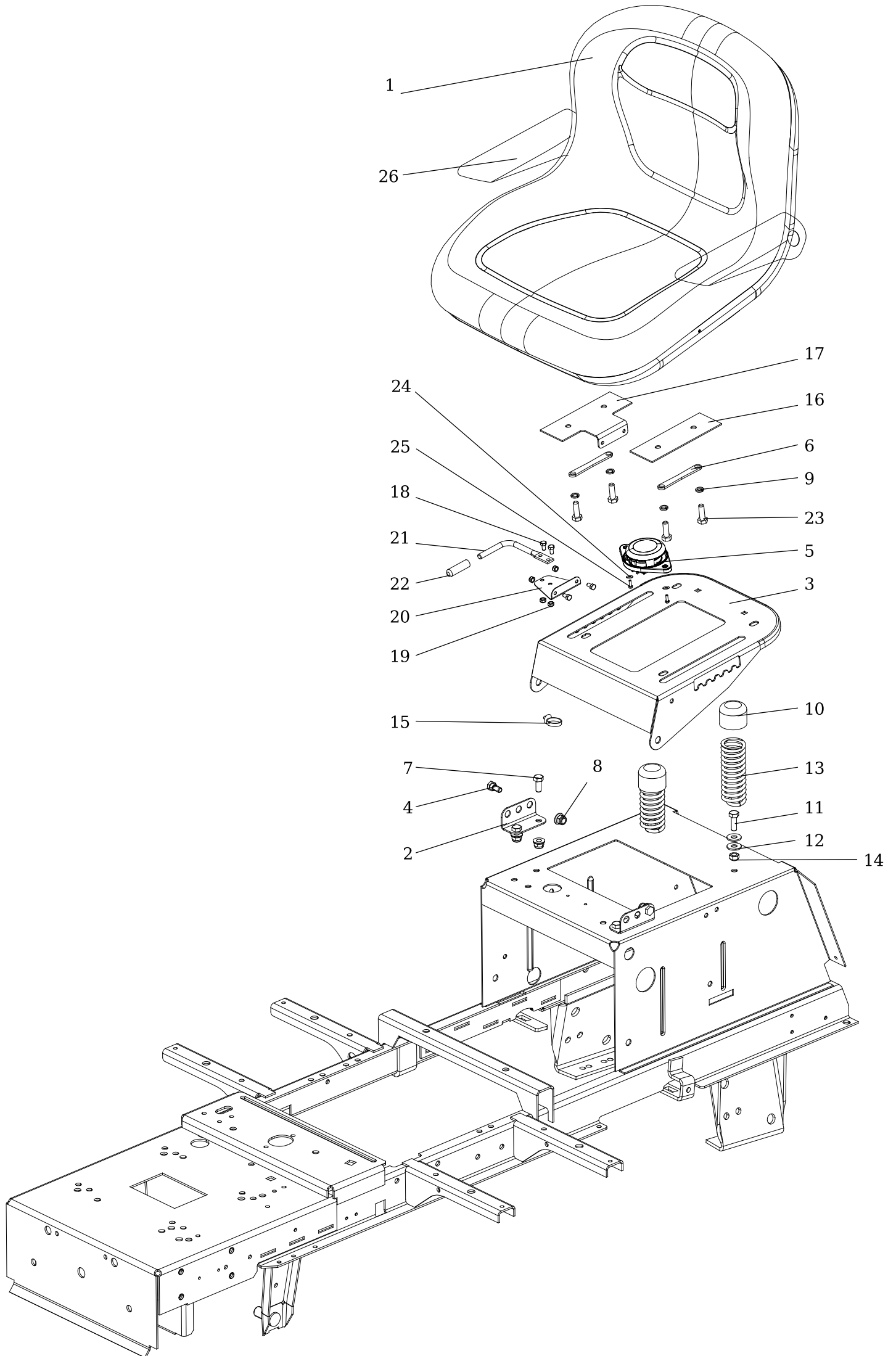
KUJ05-14-0001- Steering UJ102

| | | |
|----|---------------|------------------------------------|
| 1 | N532151347 | steering connecting rod 0-8041-338 |
| 2 | N442073028 | Joint head PHS 12 CN |
| 3 | N311150505 | Nut M 12 |
| 4 | S532080272033 | Eccentric |
| 5 | S532195202593 | Spacer |
| 6 | S532938542103 | Bearing |
| 7 | N323721002 | Bushing 1920 KU |
| 8 | N315238031 | Spring pin 6x45 |
| 9 | N309578534 | Screw M 8x35 DIN 7991 10.9 Zinc |
| 10 | S532033322453 | Toothed Segment |
| 11 | S532930252213 | Pinion complete |
| 12 | N309019522 | Screw M 12X55.8.8 A3L ISO 8677 |
| 13 | N309503548 | Screw M 6X20 |
| 14 | N311129505 | Nut M 12 |
| 15 | N311733607 | Lock ring 19 |
| 16 | N311129525 | Nut M 6 DIN 6926 |
| 17 | N425111004 | Lubricating head MK 6x1 |
| 18 | N311150505 | Nut M 12 |
| 19 | N309503505 | Screw M12X40 |
| 20 | N311214504 | Washer 12 |
| 21 | N311150503 | Nut M 8 |
| 22 | S532113326353 | WASHER |
| 23 | N311129520 | Nut M8 DIN 6923 8 Zinc. toothed |
| 24 | N311129521 | Nut M 12 DIN 6923 8 Zinc. toothed |
| 25 | N443821011 | Steering wheel 0-8020-201 UJ 2014 |
| 26 | N532151344 | Cover 0-8516-201 |



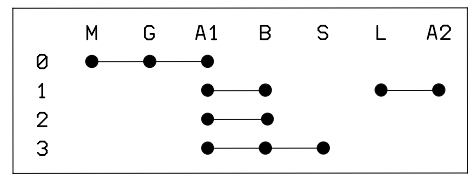
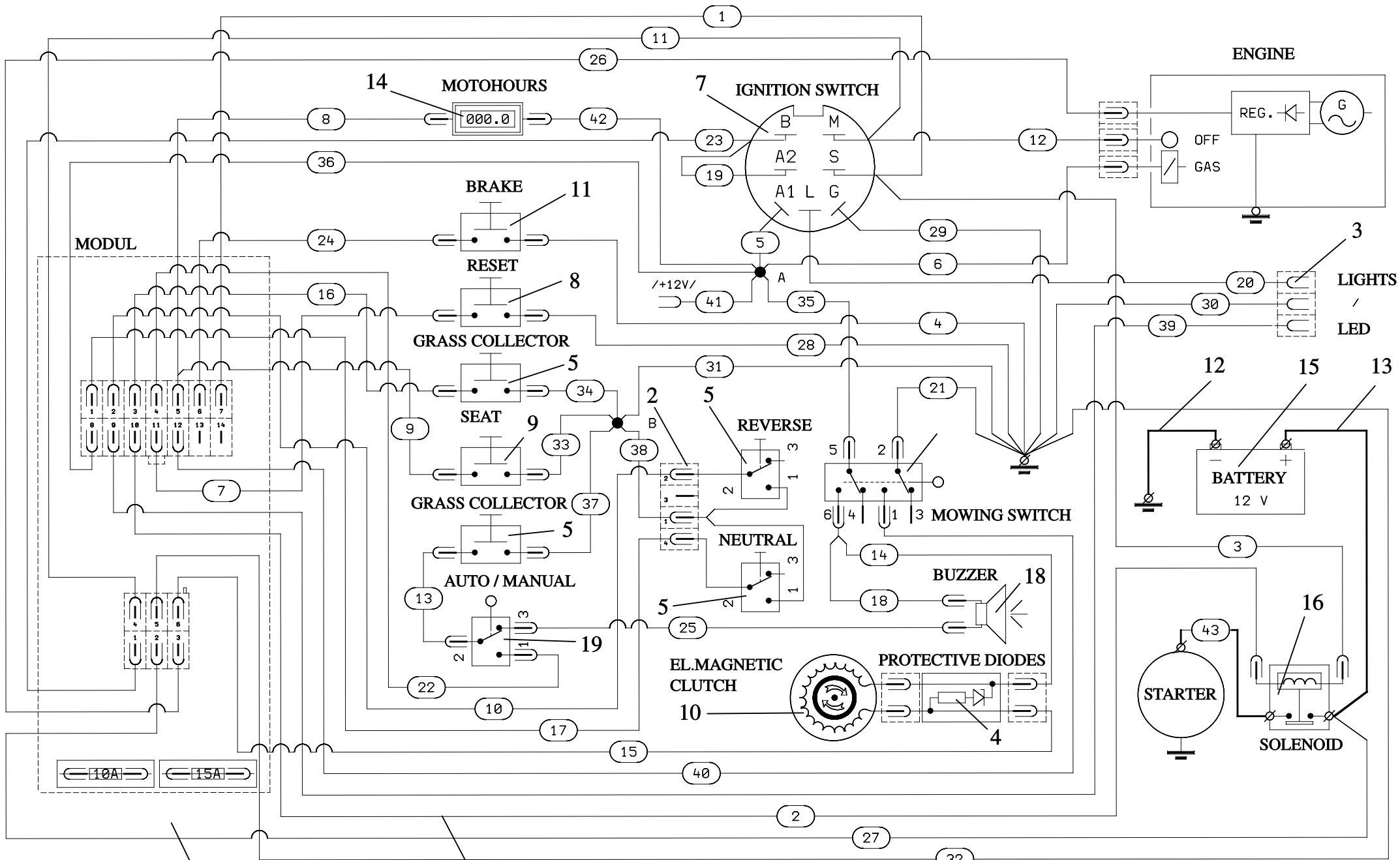
KUJ06-15-0002- Starjet mowing I

| | | |
|----|---------------|-------------------------------------|
| 1 | S532980508293 | Lifting Arm UJ |
| 2 | N722643024 | Case 0-9462-203 |
| 3 | N311210507 | Washer 17 |
| 4 | N311338517 | Spindle 3.2x25 |
| 5 | S532113415563 | Lever holder |
| 6 | S532092212293 | WASHER |
| 7 | S532980412183 | Lifting arm |
| 8 | N532151357 | Handle 0-8832-202 |
| 9 | N315231265 | Spring 0-9746-504 lifting |
| 10 | S532080503673 | Holder |
| 11 | S532113425423 | Lifting segment |
| 12 | S532913413323 | Lifting holder |
| 13 | N532151358 | Lifting rod 0-8041-201 UJ |
| 14 | N532151359 | Lifting rod 0-8041-346 |
| 15 | S532090162073 | Pin |
| 16 | S532095213823 | Spacer |
| 17 | N311150506 | Nut M 10 |
| 18 | S532980422503 | Lifting rod LEFT |
| 19 | S532980422493 | Lifting rod RIGHT |
| 20 | S532938122583 | Lifting shaft UJ |
| 21 | S532993462343 | Pin complete |
| 22 | N315238003 | Flexible spindle 0-9245-999 |
| 23 | N315231193 | Spring 0-9746-460 |
| 24 | N311212508 | Washer 9 Zinc |
| 25 | N309503543 | Screw M 8X35 |
| 26 | N311210504 | Washer 10.5 |
| 27 | S532090162063 | Screw |
| 28 | S532980322193 | Lifting arm |
| 29 | S532013418233 | Support |
| 30 | N309578535 | Screw M 8X20 BN 1206 |
| 31 | N309019507 | Screw M6X16 |
| 32 | N311129525 | Nut M 6 DIN 6926 |
| 33 | S532980508313 | Lifting arm RIGHT |
| 34 | S532980508303 | Lifting arm LEFT |
| 35 | S532980365413 | Lifting arm spring |
| 36 | N315231269 | Spring 0-9746-507 |
| 37 | N309510001 | Screw M 10x90 DIN 444-4.6 |
| 38 | N311129523 | Nut M 10 DIN 6926 Zinc |
| 39 | N315238013 | spring pin 6X25 |
| 40 | N311120542 | Nut M 14 |
| 41 | N311210511 | Washer 15 |
| 42 | S532113402103 | Pin holder |
| 43 | N309503515 | Screw M 8X30 |
| 44 | N309503518 | Screw M8X20 |
| 45 | N311129501 | Nut M 8 |
| 46 | N311338516 | Spindle 3.2x20 |
| 47 | N311129527 | Nut M 16 DIN 6926 |
| 48 | N532150290 | Nut M 8 DIN 6926 8 Zinc |
| 49 | N311129502 | Nut M 10 |
| 50 | N532151360 | Eccentrically lever 04232-211108X30 |
| 51 | S532013322013 | Lifting stopper |



KUJ11-15-0003- Hood n.1 UJ

| | | Item name | Position |
|----|----------------|-----------------------------|----------|
| 1 | N532150988 | Seat SP 480 Milsco | |
| 2 | S532113402403A | Carrier holder | |
| 3 | S532018474683 | Seat carrier | |
| 4 | N309599012 | Carrier screw 0-9016-427 | |
| 5 | N532150990 | Seat switch DELTA 6500-02 | |
| 6 | S532092322053 | Distance washer | |
| 7 | N309503518 | Screw M8X20 | |
| 8 | N532150290 | Nut M 8 DIN 6926 8 Zinc | |
| 9 | N311214502 | Washer 8 | |
| 10 | N532150208 | Cover 38/A PVC Black | |
| 11 | N309503512 | Screw M 8X25 | |
| 12 | N311212517 | Washer 9 Zinc | |
| 13 | N315231274 | Spring 0-9746-441 | |
| 14 | N311129501 | Nut M 8 | |
| 15 | N532150211 | Clip WSBH 1-0-1 | |
| 16 | S532113302013 | Seat holder | |
| 17 | S532113402073 | Seat holder | |
| 18 | N309203545 | Screw M 5x10 | |
| 19 | N311129515 | Nut M5 | |
| 20 | S532097402283 | Seat spring | |
| 21 | N532151356 | Seat tie rod 0-8043-310 | |
| 22 | N532150209 | Cover 8X40 Vinyl-Flex black | |
| 23 | N309578540 | Screw M 8x25 DIN 7500 D | |
| 24 | N311212515 | Washer 4.3 | |
| 25 | N309315015 | Screw ST 4.2x16 BN 1880 | |
| 26 | N532150989 | Arm rests C 7494 BS | |

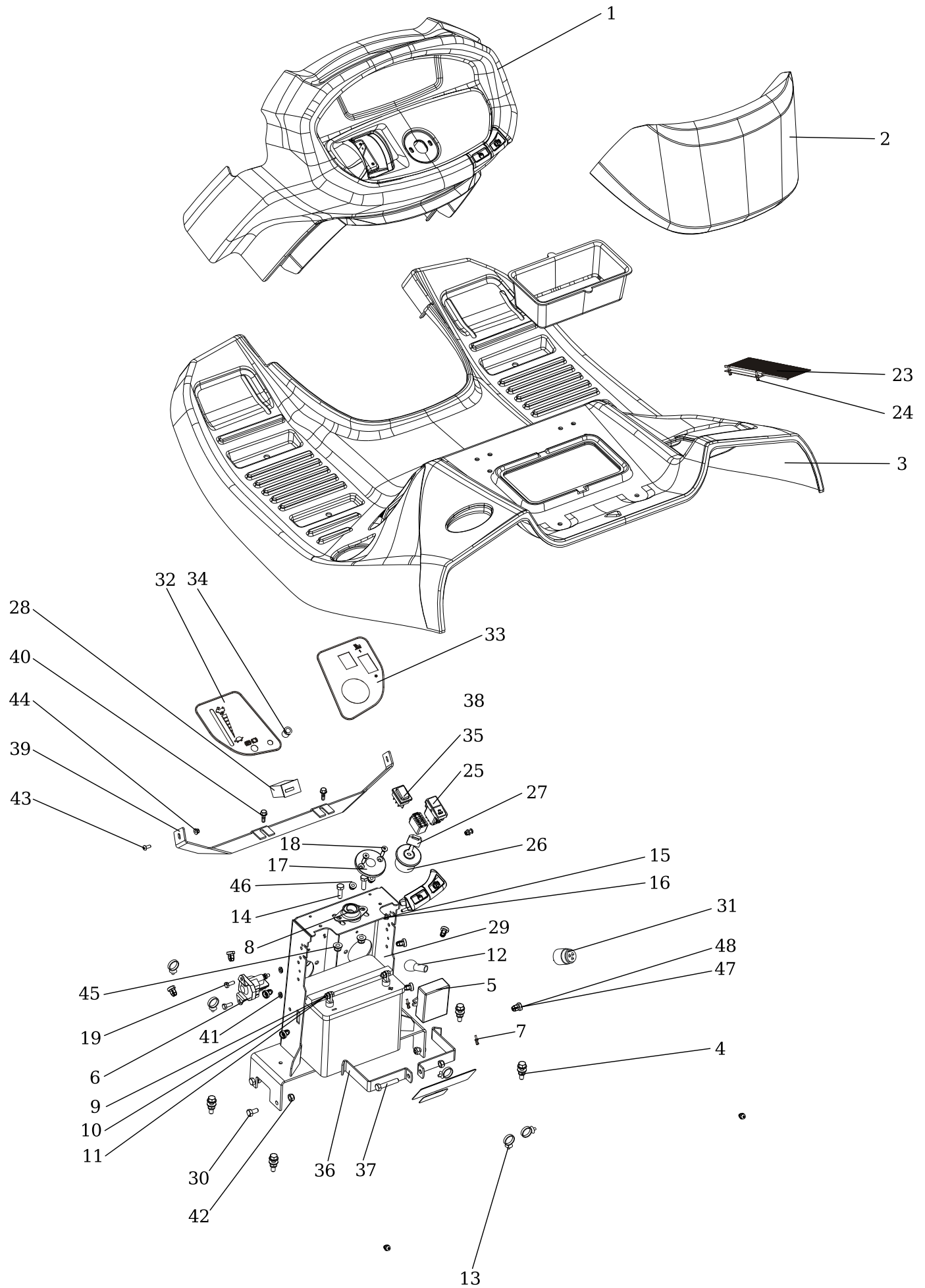


17

1

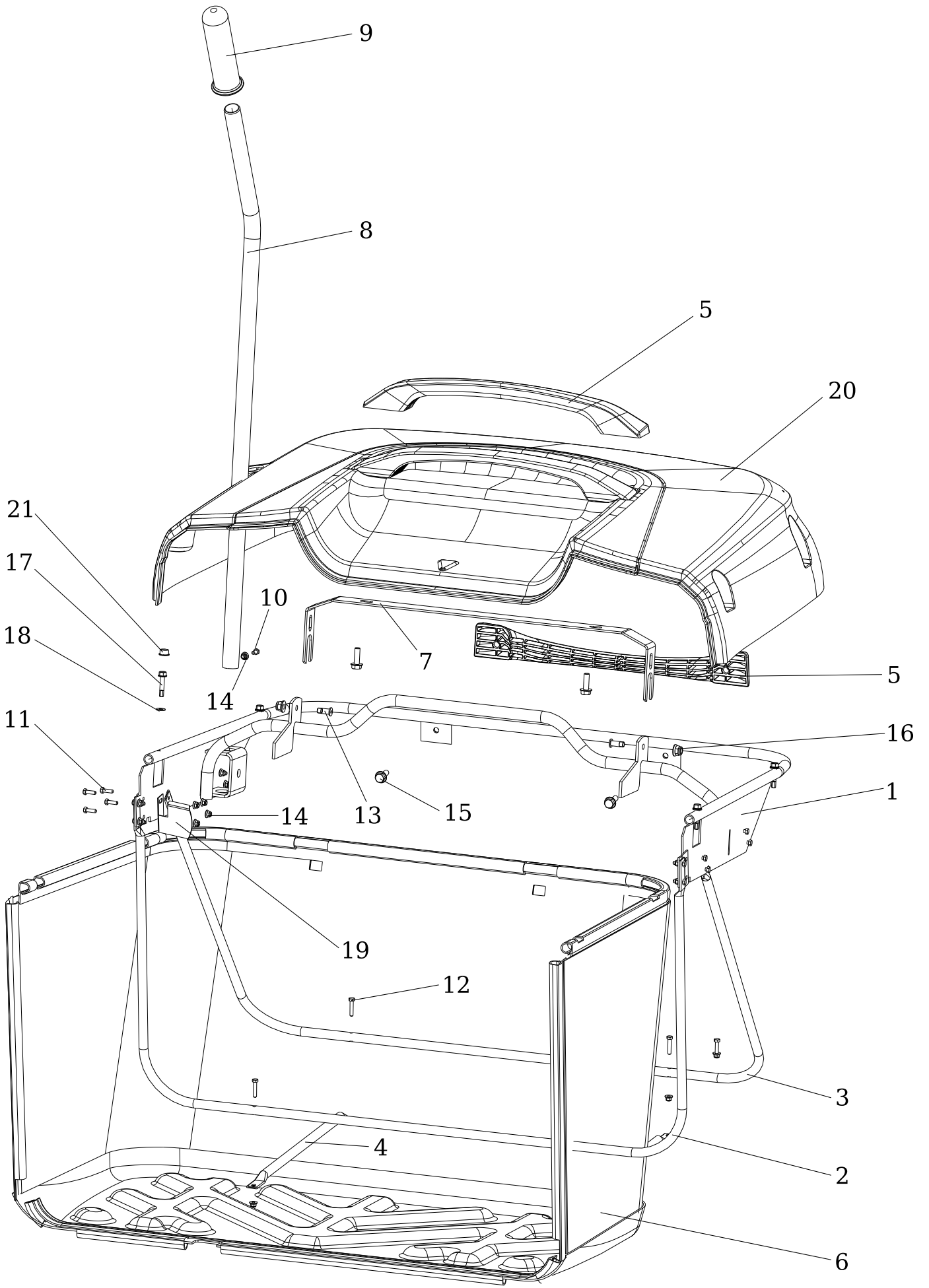
KUJ13-15-0001- Starjet electric

| | | |
|----|------------|-----------------------------------|
| 1 | N341271186 | Cable harness KS 004067 |
| 2 | N341271193 | Switches harness KS 004081 |
| 3 | N341271169 | Light harness 9-8316-623 |
| 4 | N341271052 | Protective diodes harness 9-8316- |
| 5 | N345359004 | Microswitch MKH 12 D 13-S1 |
| 6 | N345329023 | Switch VDD2S001 9ZZCR 100 |
| 7 | N443861007 | Switch box Delta 6900-47 P |
| 8 | N345329025 | Switch 1932.3413 |
| 9 | N345359005 | Microswitch 6520 Delta |
| 10 | N532151196 | Elmag. clutch I-5217-38 |
| 11 | N532150994 | Switch DELTA 6700-01B |
| 12 | N341271021 | Cable 9-8316-570 |
| 13 | N341271172 | Cable 9-8316-624 solenoid+battery |
| 14 | N443433003 | Hour-meter SEN DEC DIGITAL |
| 15 | N346211006 | Battery 12V-24Ah dry,charged |
| 16 | N000532033 | Solenoid 12V Clum 94255 |
| 17 | N341271187 | MODUL KS 004062 AJ06/14 |
| 18 | N443312021 | Buzzer PF 27 A 29 EP |
| 19 | N345329017 | Contact |



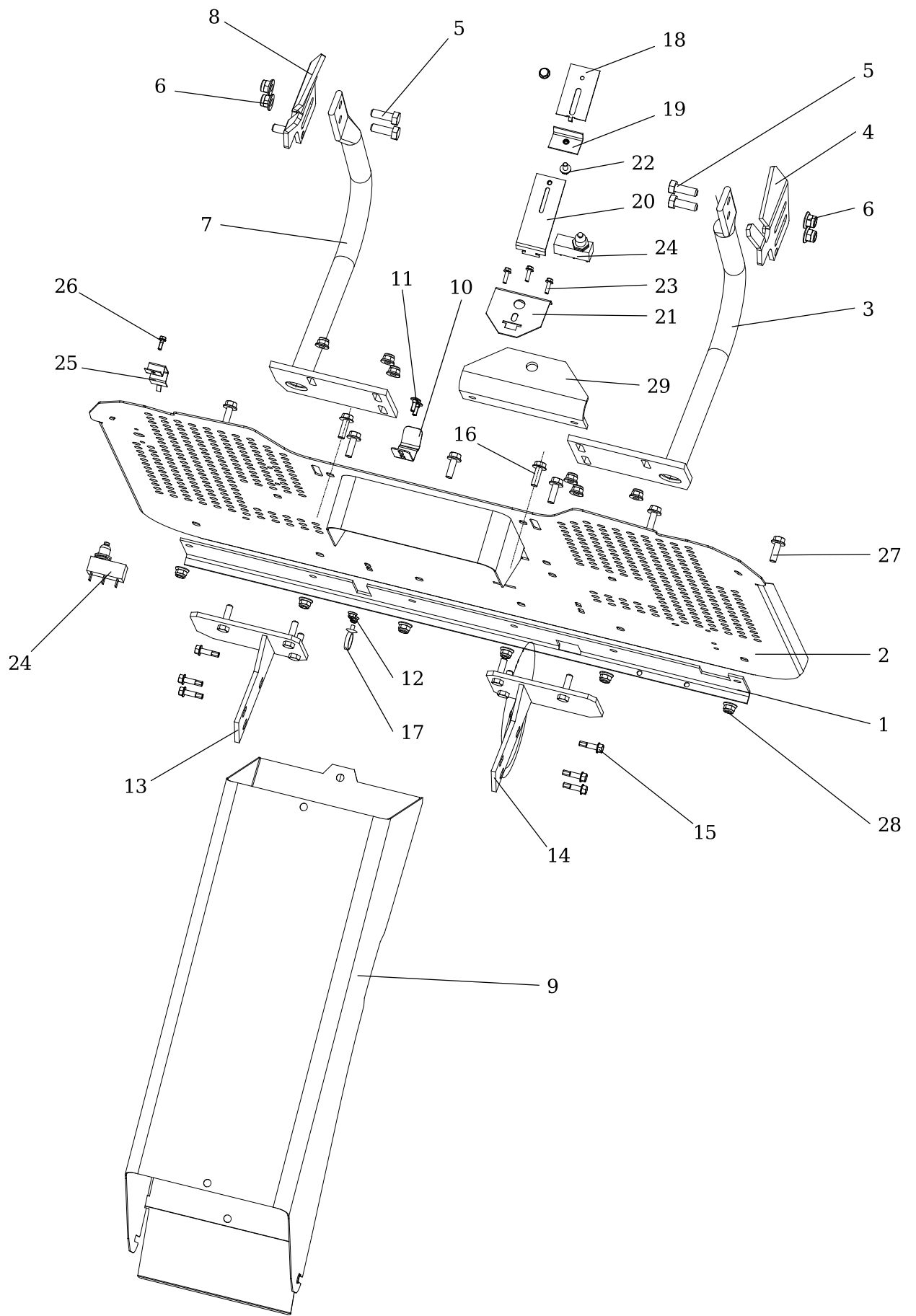
KUJ15-16-0005- Starjet panel UJ

| | | |
|----|---------------|-----------------------------------|
| 1 | N532151509 | Dash-board 0-8048-350 Export 2016 |
| 2 | N532151510 | Battery cover 0-8547-224 |
| 3 | N532151511 | Foot-board 9-1847-212 Export 2016 |
| 4 | N309578012 | Screw M 8X30 DIN 6921 8.8 Zinc |
| 5 | N341271187 | Module KS 004062 AJ06/14 |
| 6 | N000532033 | Solenoid 12V Clum 94255 |
| 7 | N532151116 | Rivet 282702 |
| 8 | N324196022 | Ball BEARING FL M12 |
| 9 | N309503548 | Screw M 6X20 |
| 10 | N311210502 | Washer 6.4 |
| 11 | N311129513 | Nut M 6 |
| 12 | N273125006 | Cover 273 125 020 050 |
| 13 | N532150211 | Clip WSBH 1-0-1 |
| 14 | N309503512 | Screw M 8X25 |
| 15 | N309203539 | Screw M 5X16 |
| 16 | N311129524 | Nut M 5 DIN 6926 Zinc |
| 17 | N321841069 | Steering wheel bushing 0-1652-226 |
| 18 | N309578503 | Screw M 6X25 DIN7991 10.9 Zinc |
| 19 | N309503508 | Screw M6X16 |
| 20 | NK00000000 | Not used in this performance |
| 21 | NK00000000 | Not used in this performance |
| 22 | NK00000000 | Not used in this performance |
| 23 | NK00000000 | Not used in this performance |
| 24 | NK00000000 | Not used in this performance |
| | N345329023 | Switch VDD2S001 9ZZCR 100 |
| 26 | N443861007 | Switch box Delta 6900-47 P |
| 27 | N443900137 | Starting key DELTA 688P-001 |
| 28 | N443433003 | Hour-meter SEN DEC DIGITAL |
| 29 | S532916422013 | Steering column UJ |
| 30 | N309503517 | Screw M 8X16 |
| 31 | N443312021 | Buzzer PF 27 A 29 EP |
| 32 | N283293256 | Label 1-8732-490 Export 2016 L |
| 33 | N283293257 | Label 1-8732-489 Export 2016R |
| 34 | N443312023 | Light indicator KS004074 |
| 35 | N345329025 | Switch 1932.3413 |
| 36 | S532113425353 | BATTERY HOLDER |
| 37 | N309503559 | Screw M8x45 |
| 38 | NK00000000 | Not used in this performance |
| 39 | S532113422063 | Dash-board holder |
| 40 | N309315016 | Screw ST 6.3x19 DIN7504-K BN1880 |
| 41 | N311210501 | Washer 5.3 |
| 42 | N311129501 | Nut M 8 |
| 43 | N309578532 | Screw M 5x16 ISO 7380 8.8 |
| 44 | N311129524 | Nut M 5 DIN 6926 Zinc |
| 45 | N532150290 | Nut M 8 DIN 6926 8 Zinc |
| 46 | N311129525 | Nut M 6 DIN 6926 |
| 47 | N532150903 | Seating D7-201-802-010 |
| 48 | N532150904 | Pin D7-201-711-010 |



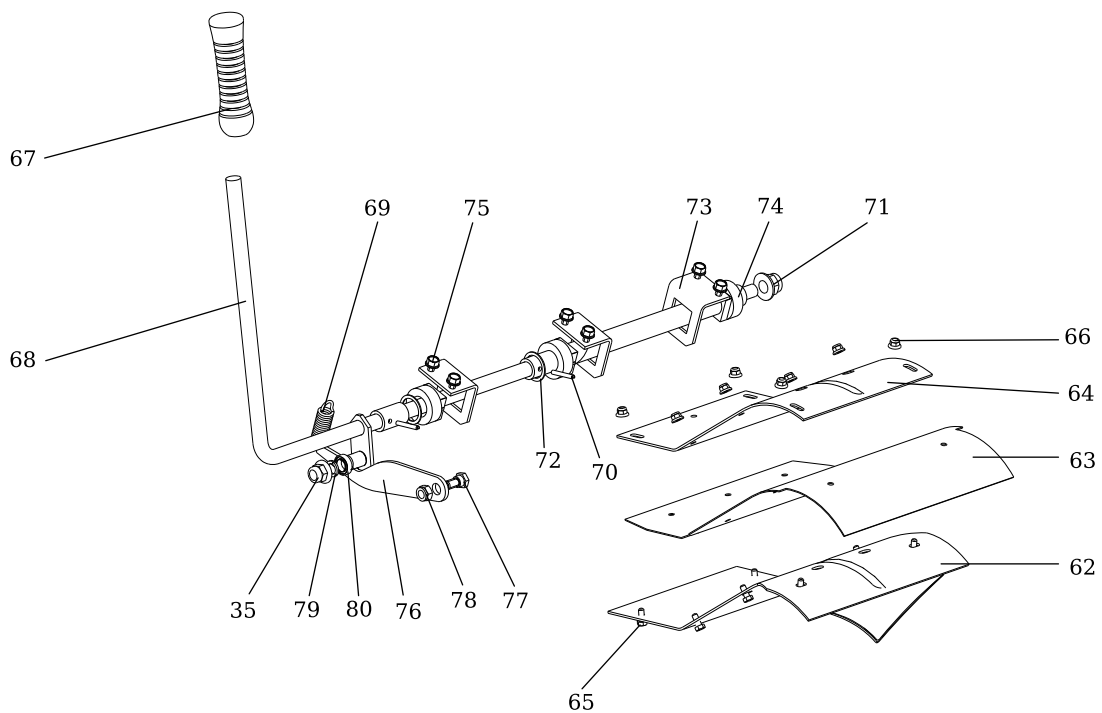
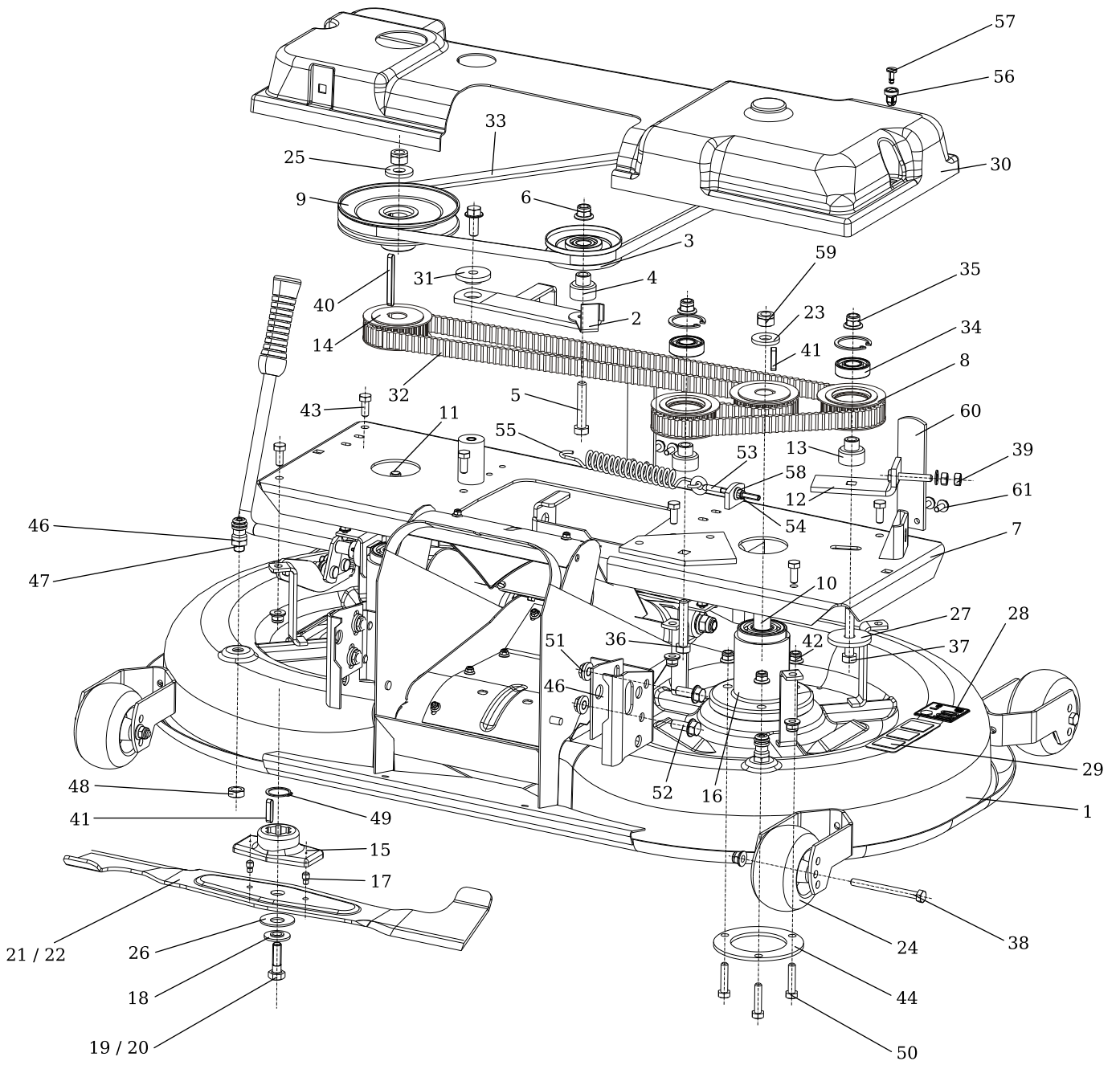
KUJ16-16-0006- Grass collector

| | | |
|----|---------------|-------------------------------|
| 1 | S532974472093 | Frame upper UJ |
| 2 | S532074442263 | Tube front |
| 3 | S532074442283 | Tube rear |
| 4 | S532074262143 | Tube connecting |
| 5 | N532151371 | Handle compl. 9-1346-201 |
| 6 | N532151372 | Grass bag 9-7432-204 |
| 7 | S532015408543 | Reinforcement |
| 8 | S532074202013 | Lever Dumping |
| 9 | N532151120 | Handle MOSS 10189 |
| 10 | N309203548 | Screw M 5X12 |
| 11 | N309203539 | Screw M 5X16 |
| 12 | N309203557 | Screw M 5X25 |
| 13 | N309578535 | Screw M 8X20 BN 1206 |
| 14 | N311129524 | Nut M 5 DIN 6926 Zinc |
| 15 | N309578547 | Screw M 8x35 KL 100 RIPP Zinc |
| 16 | N532150290 | Nut M 8 DIN 6926 8 Zinc |
| 17 | N309315013 | Screw ST 6.3X32 DIN 7504 K |
| 18 | N273192056 | Washer rubber 6.4x14x1.2 |
| 19 | S532097402233 | Grass box-spring Snapper |
| 20 | N532151530 | Grass cover 0-7447-243 2016 |
| 21 | S532085412093 | Shield |



KUJ17-16-0001- Tunnel UJ 102

| | | |
|----|---------------|----------------------------------|
| 1 | S532113403233 | Reinforcement |
| 2 | S532974422373 | Board compl. export 2016 |
| 3 | S532974432523 | Holder left UJ |
| 4 | S532913369663 | LEFT HOLDER |
| 5 | N309503510 | Screw M 10X30 |
| 6 | N311129523 | Nut M 10 DIN 6926 Zinc |
| 7 | S532974432513 | Holder right UJ |
| 8 | S532913369653 | RIGHT HOLDER AJ92 |
| 9 | S532974472723 | Discharge tunnel UJ102 |
| 10 | S532097464993 | Spring |
| 11 | N309019514 | Screw M 5X16 Zinc |
| 12 | N311129524 | Nut M 5 DIN 6926 Zinc |
| 13 | S532913405713 | Plate holder right |
| 14 | S532913405723 | Plate holder left |
| 15 | N309315017 | Screw ST 6.3X25 DIN7504-K BN1880 |
| 16 | N309503005 | Screw M 8X25 KL 100 RIPP V Zinc |
| 17 | N532150211 | Clip WSBH 1-0-1 |
| 18 | S532114302043 | Plug plate |
| 19 | S532113408353 | Holder |
| 20 | S532014417343 | Plug plate |
| 21 | S532014417353 | Plug plate |
| 22 | N309503579 | Screw M 6x10 KL 100 RIPP Zinc |
| 23 | N309578545 | Screw M 6x10 DIN 7500 D |
| 24 | N345359004 | Microswitch MKH 12 D 13-S1 |
| 25 | S532085415813 | Switch cover |
| 26 | N309578544 | Screw M 5x12 DIN 7500D BN3326 |
| 27 | N309578011 | Screw M 8X25 DIN 6921 8.8 Zinc |
| 28 | N532150290 | Nut M 8 DIN 6926 8 Zinc |
| 29 | S532113402453 | Tow hitch |

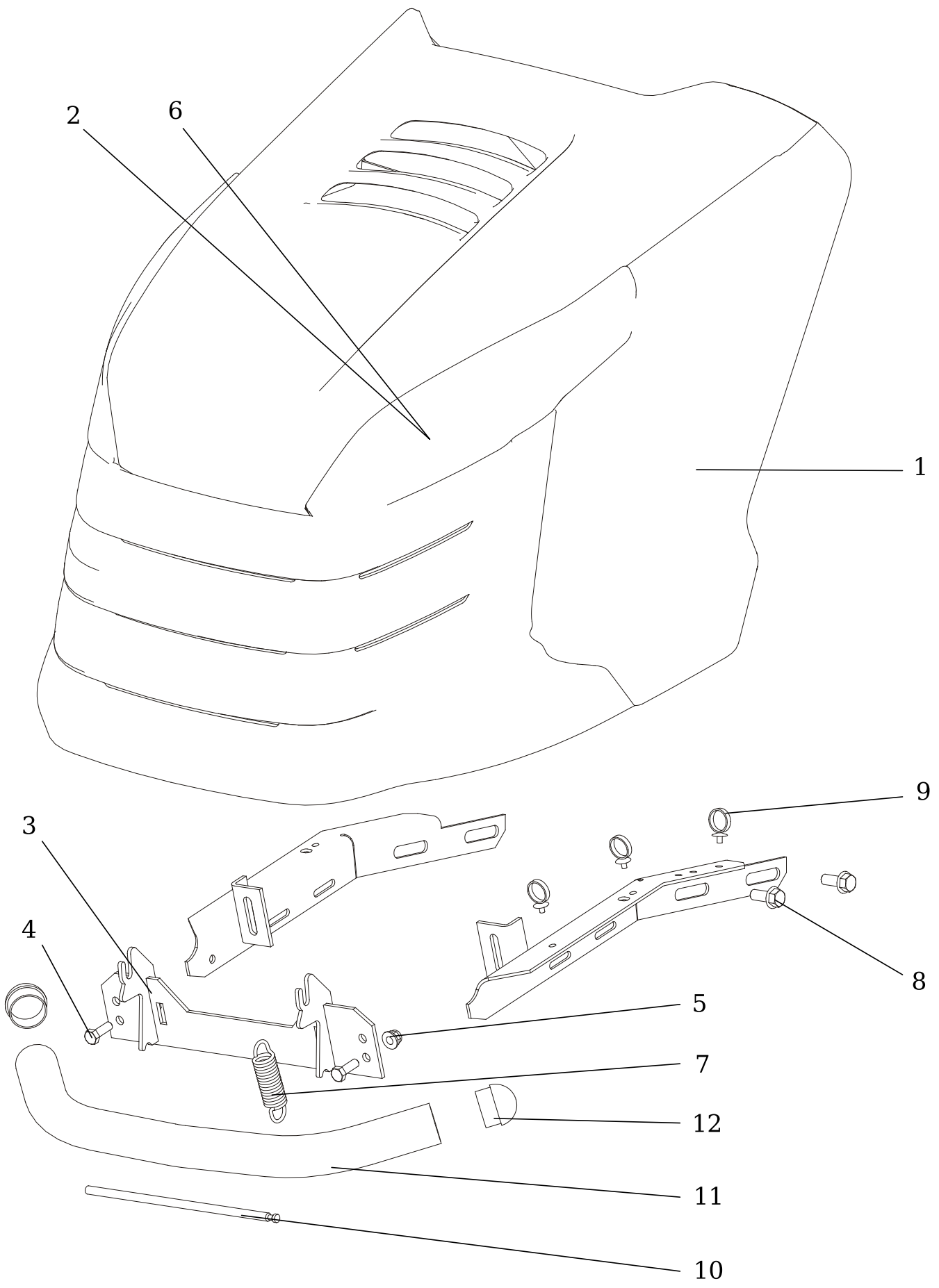


KUJ20-16-0001- Mowing unit n.1

| | | |
|----|---------------|-----------------------------------|
| 1 | S532950472403 | Blades cover compl. plug UJ |
| 2 | S532913424393 | Holder compl. |
| 3 | N532150784 | Pulley Compensa C-00237/2 |
| 4 | S532094212013 | Pulley spacer |
| 5 | N309203525 | Screw M 10X55 |
| 6 | N311129523 | Nut M 10 DIN 6926 Zinc |
| 7 | S532985422043 | Board,main, with plug |
| 8 | N532150836 | Pulley 28 Z 9-3371-312 |
| 9 | N532150165 | Pulley compl. 9-3325-234 |
| 10 | S532038128033 | Shaft |
| 11 | S532038128023 | Shaft |
| 12 | S532914412013 | Foot compl. |
| 13 | S532094212013 | Pulley spacer |
| 14 | N532150860 | Pulley 9-3371-277 |
| 15 | S532098212403 | Flange |
| 16 | S532038523833 | Flange |
| 17 | S532093117363 | Shear pin |
| 18 | S532092207493 | Washer |
| 19 | N309599008 | Screw 0-9011-283 M10 Left |
| 20 | N309599017 | Screw 0-9011-287 M10 |
| 21 | S532050422103 | Rotary blade left |
| 22 | S532050422113 | Rotary blade right |
| 23 | S532092202133 | Washer |
| 24 | N532940128 | Cutting wheel Etop 100-8,2 |
| 25 | S532092207273 | Washer |
| 26 | N311219503 | Washer BN 806-40x16.3x2x3.1 |
| 27 | S532092207533 | Washer |
| 28 | N283292437 | Label 0-8732-559 Noise |
| 29 | N283292121 | Label 0-8730-510 |
| 30 | N532151373 | Pulley cover 0-8547-206 102 |
| 31 | S532092212293 | WASHER |
| 32 | N272211006 | Two-sided toothed belt 1760 |
| 33 | N272731239 | V-belt B 17x1425 Li BBT |
| 34 | N324162099 | Bearing 6205 2 RS C 661B |
| 35 | N311129523 | Nut M 10 DIN 6926 Zinc |
| 36 | N309203525 | Screw M 10X55 |
| 37 | N309503577 | Screw M 10X60 |
| 38 | N309501567 | Screw M 8X90 |
| 39 | N311150503 | Nut M 8 |
| 40 | N311726086 | Tongue 6E7x6x63 |
| 41 | N311726091 | Key 6E7X6X28 |
| 42 | N532150290 | Nut M 8 DIN 6926 8 Zinc |
| 43 | N309503518 | Screw M8X20 |
| 44 | S532098203373 | Cutting reinforcement |
| 45 | S532014417363 | Cutting foot |
| 46 | N532150533 | Quick fastener 0-9026-246 |
| 47 | N273111057 | Ring 10.78X2.62 NBR 70-SH |
| 48 | N311120511 | Nut M 12 |
| 49 | N311733014 | Lock ring 25 |
| 50 | N309503543 | Screw M 8X35 |
| 51 | N311129522 | Nut M10 RIPP KL 10 BN 2798 |
| 52 | N309578529 | Screw M10X25KL100 Ripp. V. DACROM |
| 53 | N309578523 | Screw M 6x80 with eye BN1006 Zinc |
| 54 | N311129525 | Nut M 6 DIN 6926 |
| 55 | N315231193 | Spring 0-9746-460 |

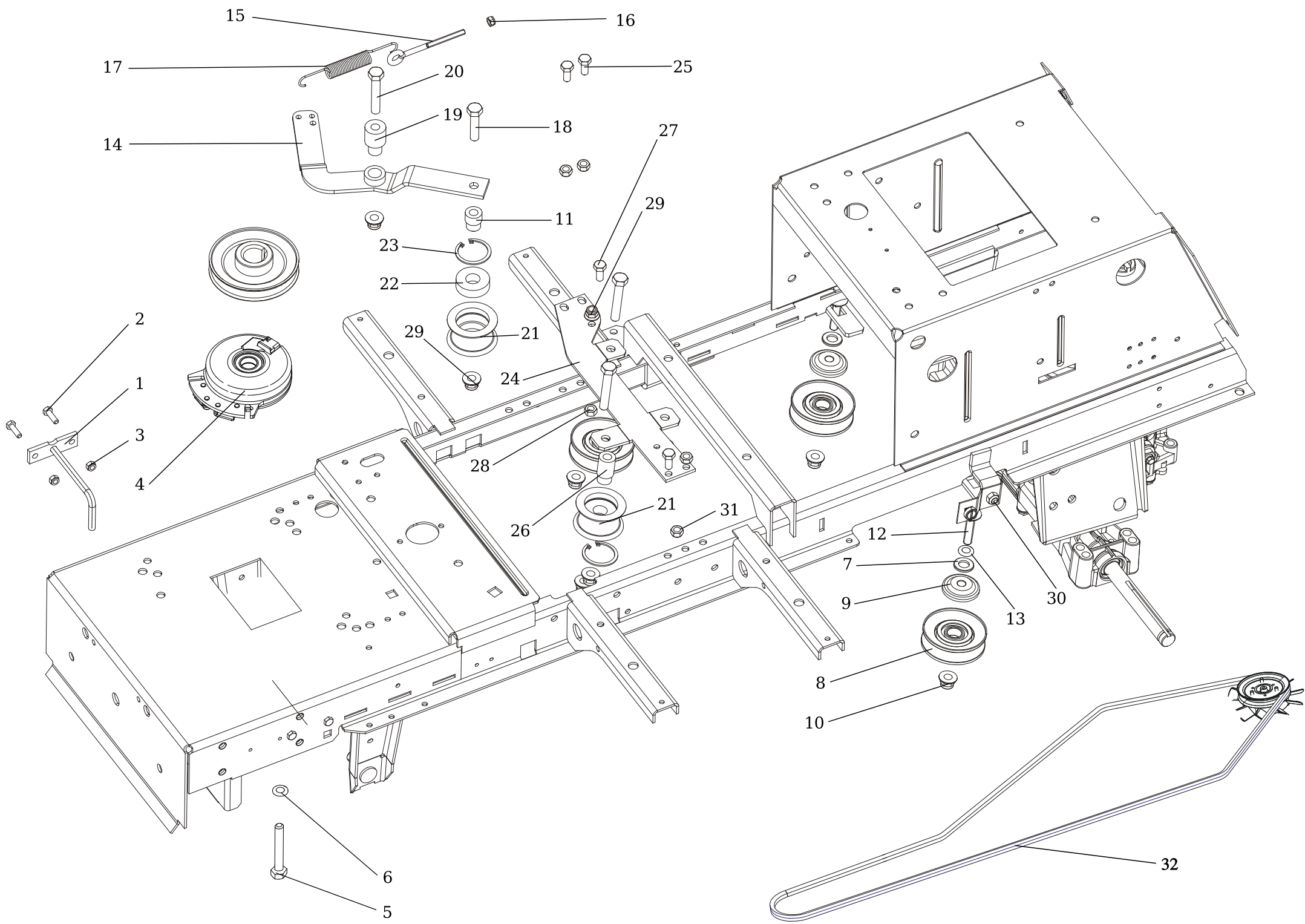
KUJ20-16-0001- Mowing unit n.1

| | | |
|----|---------------|----------------------------------|
| 56 | N532150903 | Seating D7-201-802-010 |
| 57 | N532150904 | Pin D7-201-711-010 |
| 58 | N311212517 | Washer 9 Zinc |
| 59 | N311129505 | Nut M 12 |
| 60 | S532114322063 | Backstop |
| 61 | N309578517 | SCREW M 6X16 DIN 7500D BN 3326 |
| 62 | S532980422523 | Plug UJ |
| 63 | N273192062 | Shield 0-9632-206 UJ T1 |
| 64 | S532113412143 | Holder |
| 65 | N309203548 | Screw M 5X12 |
| 66 | N311129524 | Nut M 5 DIN 6926 Zinc |
| 67 | N532151195 | Handle 511-035-14 (32x114) black |
| 68 | S532980412013 | Plug lever UJ |
| 69 | N315231267 | Spring 0-9746-506 2.25 |
| 70 | N315238008 | Spring pin 4x28 |
| 71 | N311129526 | Nut M 12 DIN 6926 |
| 72 | N311212507 | Washer 11 |
| 73 | S532113402743 | Plug holder |
| 74 | N722643022 | Bushing 0-9462-201 |
| 75 | N309578546 | Screw M 6x12 DIN 7500 BN 3326 |
| 76 | S532013322063 | Foot, plug locking UJ |
| 77 | N309599012 | Carrier screw 0-9016-427 |
| 78 | N311129501 | Nut M 8 |
| 79 | N311219528 | Washer 10x14x2 BN 739 |
| 80 | N324162101 | Bearing 61800 2RS |



KUJ21-16-0004- Engine hood 2016

| | | |
|----|---------------|-----------------------------------|
| 1 | N532151528 | Engine Hood 9-1849-421 Green |
| 2 | N347411002 | Halogen lightbulb MR 16 PR.50MM 1 |
| 3 | S532913405703 | Hood holder |
| 4 | N309503512 | Screw M 8X25 |
| 5 | N532150290 | Nut M 8 DIN 6926 8 Zinc |
| 6 | N341271163 | Conection light |
| 7 | N315231203 | Spring 0-9746-472 |
| 8 | N309578529 | Screw M10X25KL100 Ripp. V. DACROM |
| 9 | N532150211 | Clip WSBH 1-0-1 |
| 10 | S532013102143 | Safety bar |
| 11 | S532918452163 | Bumper UJ |
| 12 | N321841087 | Dished plug 40mm |



15

16

17

20

25

14

19

18

27

23

11

29

22

21

2

1

29

24

3

28

4

26

21

31

12

7

9

13

30

8

10

6

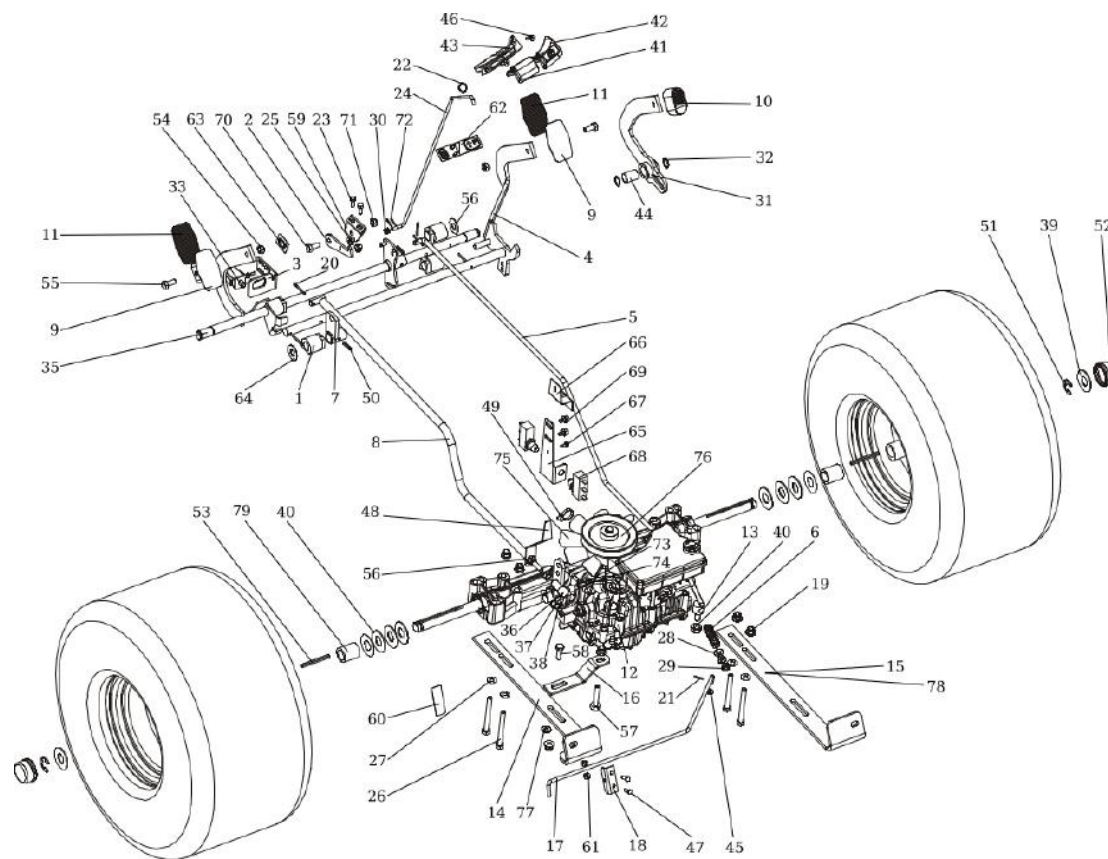
5

32

KUJ22-16-0001- El. clutch and p

| | | |
|----|---------------|-----------------------------------|
| 1 | S532936362273 | Clutch stopper |
| 2 | N309503548 | Screw M 6X20 |
| 3 | N311129525 | Nut M 6 DIN 6926 |
| 4 | N532151196 | Elmag. clutch I-5217-38 |
| 5 | N309579511 | Screw UNF 7/16"X3" 10.9 ZINK |
| 6 | N311219516 | Washer NL 11 glued Dacromet |
| 7 | N311212521 | Washer 11 Zinc |
| 8 | N532150824 | Pulley Compensa C-00237/1 |
| 9 | N532151119 | Cover C-00693 Compensa |
| 10 | N311129523 | Nut M 10 DIN 6926 Zinc |
| 11 | S532094214473 | Bushing |
| 12 | N309019531 | Screw M10X45 021319 Zinc |
| 13 | N311210505 | Washer 13 |
| 14 | S532913323073 | Travel-tension holder |
| 15 | N309578523 | Screw M 6x80 with eye BN1006 Zinc |
| 16 | N311129513 | Nut M 6 |
| 17 | N315231270 | Spring 0-9746-497 |
| 18 | N309203544 | Screw M 10x45 |
| 19 | S532094216023 | Bushing |
| 20 | N309503577 | Screw M 10X60 |
| 21 | N532151362 | Pulley 0-3325-392 |
| 22 | N324162098 | Bearing 6203 2 RS C 66 IB |
| 23 | N311733079 | Lock ring 40 |
| 24 | S532113422033 | Guide pulley holder |
| 25 | N309503518 | Screw M8X20 |
| 26 | S532094214173 | Bushing |
| 27 | N309501536 | Screw M 8X65 |
| 28 | N311150503 | Nut M 8 |
| 29 | N532150290 | Nut M 8 DIN 6926 8 Zinc |
| 30 | N309203503 | Screw M8X16 |
| 31 | N311129501 | Nut M 8 |
| 32 | N272731242 | V-belt HA 13X2655LI (2685LW) |

KUJ18-15-0005: Starjet drive and brake control



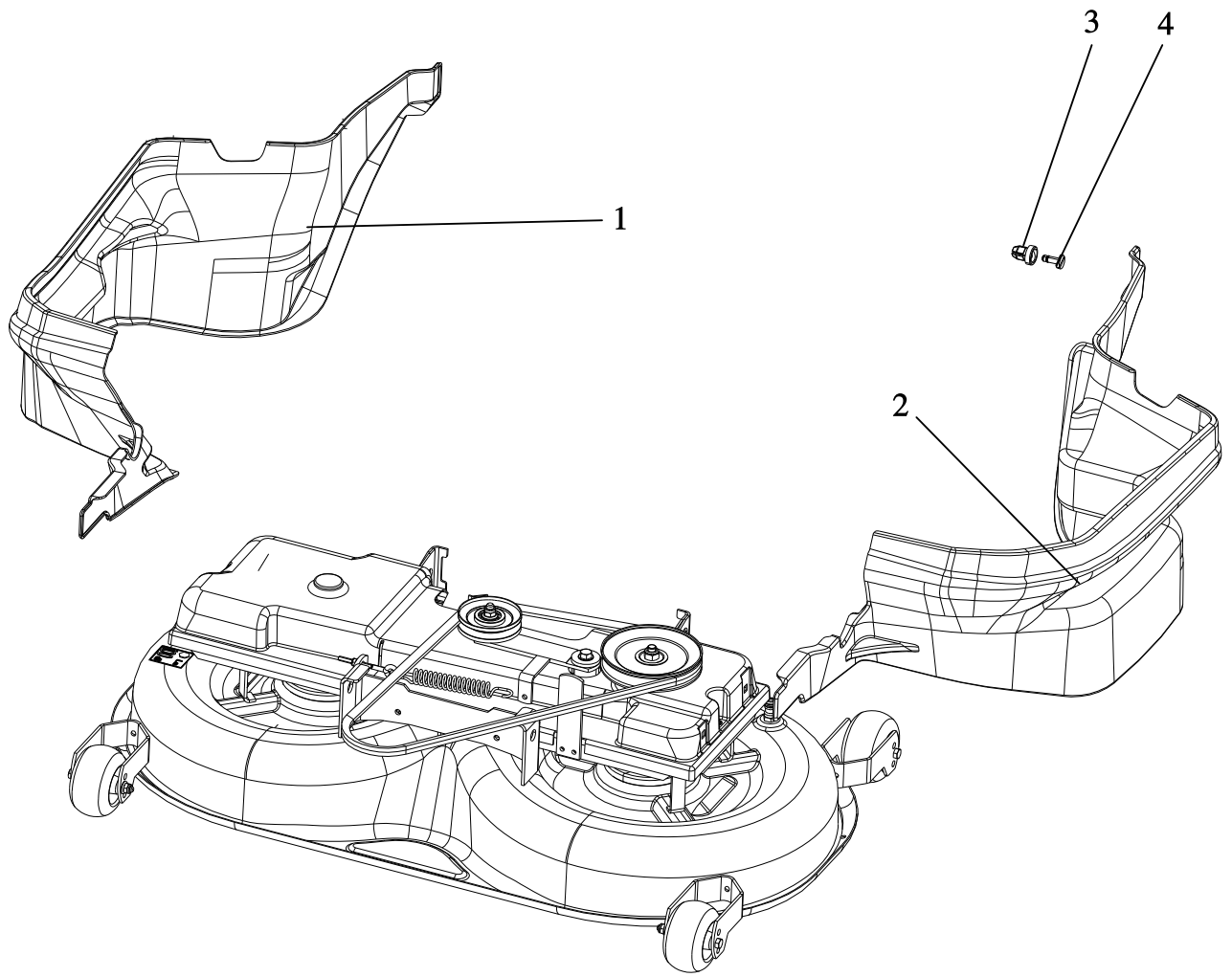
9-8080-545

KUJ18-15-0005- Starjet drive an

| | | |
|----|---------------|-----------------------------------|
| 1 | N722643024 | Case 0-9462-203 |
| 2 | S532037322233 | Latch |
| 3 | S532113408253 | Switch holder |
| 4 | S532980442663 | Travel lever UJ |
| 5 | N532151364 | Brake rod 0-8041-340 K46 |
| 6 | N315231240 | Spring TLZ 250.150.0530 Zinc |
| 7 | S532980364823 | Arm complete |
| 8 | S532980422483 | Travel tie-rod K46 |
| 9 | S532980512583 | Reverse pedal |
| 10 | N273151013 | Pedal cover 0-8832-234 |
| 11 | N273151011 | Pedal coating 65 137 Favorit |
| 12 | N532991061 | Transmission K46 DE Tuff Torq |
| 13 | S532090164473 | Screw |
| 14 | S532113408693 | Plate holder left |
| 15 | S532113408703 | Plate holder right |
| 16 | S532113412043 | Gear-box holder K46/K62 UJ |
| 17 | N532150724 | Bypass rod 0-8045-251 |
| 18 | S532113403913 | Holder |
| 19 | N532150290 | Nut M 8 DIN 6926 8 Zinc |
| 20 | N311338517 | Spindle 3.2x25 |
| 21 | N311338516 | Spindle 3.2x20 |
| 22 | N311733004 | Lock ring 14 |
| 23 | N309203539 | Screw M 5X16 |
| 24 | N532151365 | Ratchet rod 0-8042-273 |
| 25 | N311129524 | Nut M 5 DIN 6926 Zinc |
| 26 | N309501571 | Screw M8x80 |
| 27 | N311210503 | Washer 8.4 |
| 28 | N311212517 | Washer 9 Zinc |
| 29 | N311120520 | Nut M 8 |
| 30 | N311210501 | Washer 5.3 |
| 31 | S532980463483 | Reverse pedal UJ |
| 32 | N323721006 | Bushing 1625 KU |
| 33 | N532150994 | Switch DELTA 6700-01B |
| 34 | S532980365403 | Brake foot complete |
| 35 | S532980442653 | Brake pedal UJ |
| 36 | N442073017 | Spherical pin 13 DIN 71803 C Zinc |
| 37 | N311129520 | Nut M8 DIN 6923 8 Zinc. toothed |
| 38 | N442073018 | Safety U-strap 13 DIN 71805 S Zin |
| 39 | S532092208153 | Washer |
| 40 | N311129502 | Nut M 10 |
| 41 | N321841094 | Cruise control plug 0-8066-201 |
| 42 | N443900150 | Parking lever 0-8066-202 |
| 43 | N443900151 | Lever holder 0-8066-204 |
| 44 | N323721006 | Bushing 1625 KU |
| 45 | N311210502 | Washer 6.4 |
| 46 | N309578510 | Screw M 5x25 DIN7991 10.9 Zinc |
| 47 | N309578544 | Screw M 5x12 DIN 7500D BN3326 |
| 48 | S532097412053 | Reset spring |
| 49 | N532150211 | Clip WSBH 1-0-1 |
| 50 | N315238037 | Spring Pin 5X22 |
| 51 | N311732023 | Lock ring E-75 3/4 |
| 52 | N532150915 | Cover 0-8025-237 |
| 53 | S532092312163 | Spring |
| 54 | N311129525 | Nut M 6 DIN 6926 |
| 55 | N309503548 | Screw M 6X20 |

KUJ18-15-0005- Starjet drive an

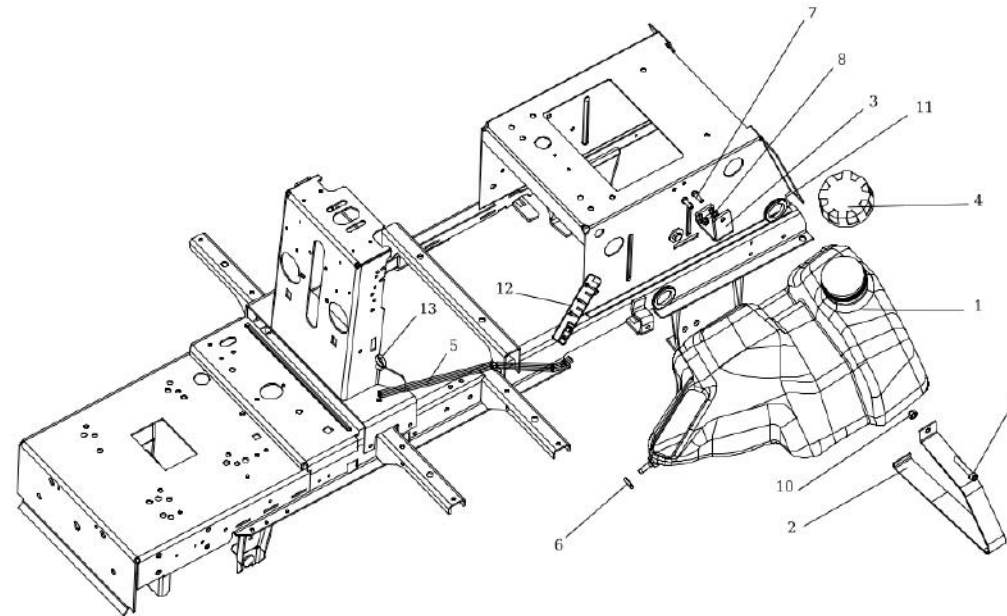
| | | |
|----|---------------|--------------------------------|
| 56 | N311210507 | Washer 17 |
| 57 | N309503556 | Screw M5x35 |
| 58 | N309503512 | Screw M 8X25 |
| 59 | S532113408683 | Ratchet holder |
| 60 | N283292192 | Label 0-8732-311 |
| 46 | N309578510 | Screw M 5x25 DIN7991 10.9 Zinc |
| 47 | N309578544 | Screw M 5x12 DIN 7500D BN3326 |
| 48 | S532097412053 | Reset spring |
| 49 | N532150211 | Clip WSBH 1-0-1 |
| 50 | N315238037 | Spring Pin 5X22 |
| 51 | N311732023 | Lock ring E-75 3/4 |
| 52 | N532150915 | Cover 0-8025-237 |
| 53 | S532092312163 | Spring |
| 54 | N311129525 | Nut M 6 DIN 6926 |
| 55 | N309503548 | Screw M 6X20 |
| 56 | N311210507 | Washer 17 |
| 57 | N309503556 | Screw M5x35 |
| 58 | N309503512 | Screw M 8X25 |
| 59 | S532113408683 | Ratchet holder |
| 60 | N283292192 | Label 0-8732-311 |
| 76 | S000000070137 | Pulley K46 1A646025333 |
| 77 | N311212508 | Washer 9 Zinc |
| 78 | S532113309733 | Gearbox washer |
| 79 | S532195203743 | Spacer |



KUJ23-15-0001- Starjet mowing u

| | | |
|---|------------|---------------------------------|
| 1 | N532151438 | Belt cover 0-8547-217 L UJ EMAK |
| 2 | N532151439 | Belt cover 0-8547-218 P UJ EMAK |
| 3 | N532150903 | Seating D7-201-802-010 |
| 4 | N532150904 | Pin D7-201-711-010 |

KUJ25-15-0001: Starjet UJ 102 fuel tank



KUJ25-15-0001- Fuel tank UJ102

| | | |
|----|---------------|-------------------------------|
| 1 | N232130026 | Fuel tank 0-2766-201 white UJ |
| 2 | S532013422013 | Tank holder compl. UJ |
| 3 | S532013425133 | HOLDER |
| 4 | N321841017 | Cap 9-2725-201 |
| 5 | N272392008 | Hose 5,5 PHD 21/386-90 11-94 |
| 6 | N000532058 | Clip UM 5008 |
| 7 | N309503548 | Screw M 6X20 |
| 8 | N311129525 | Nut M 6 DIN 6926 |
| 9 | N309503574 | Screw M 8x50 DIN 912 8.8 ZN |
| 10 | N311129501 | Nut M 8 |
| 11 | N273121038 | Rubber bushing 28.5X2 |
| 12 | N283293026 | Label. 0-8732-223 Fuel |
| 13 | N532150211 | Clip WSBH 1-0-1 |