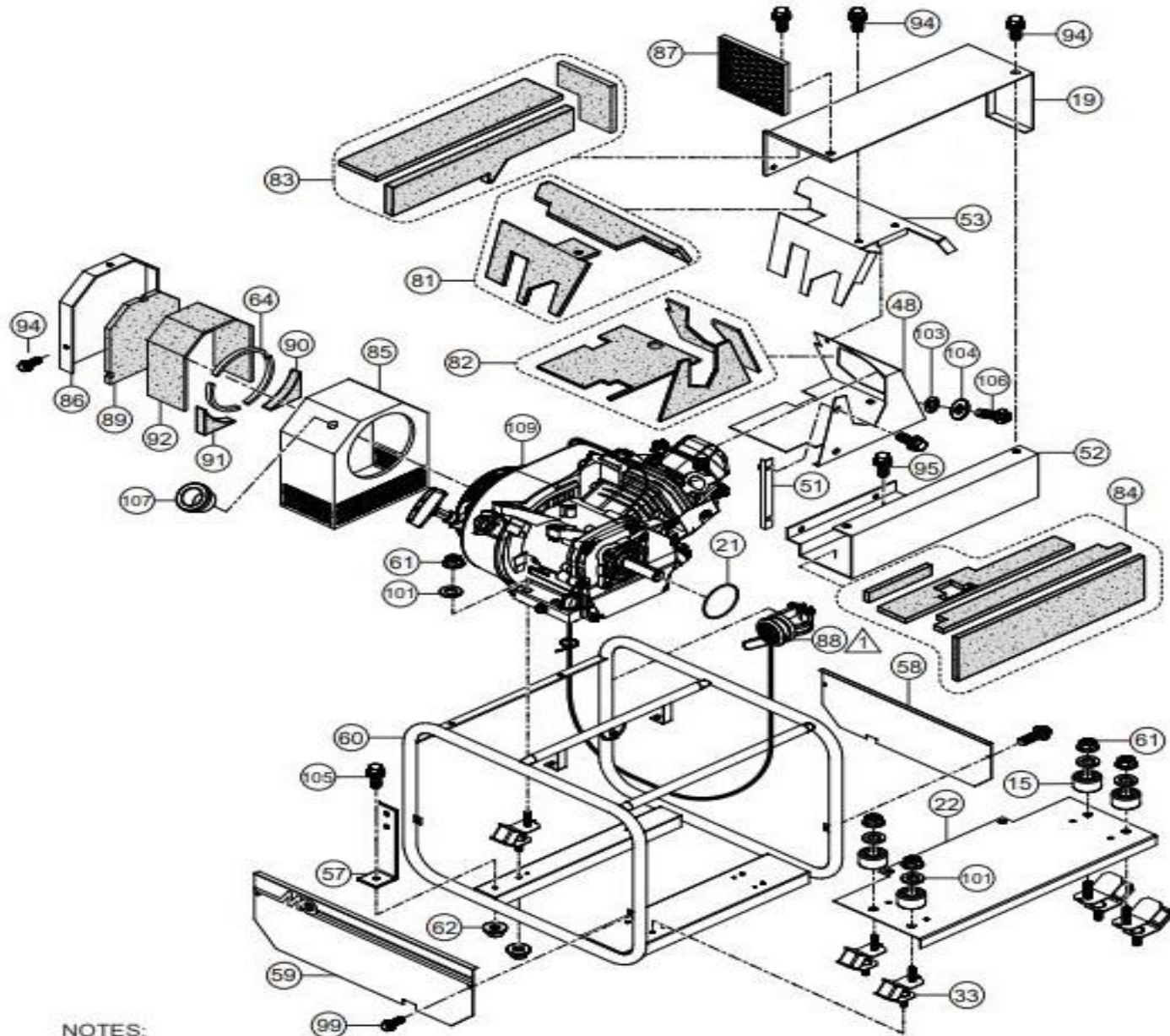
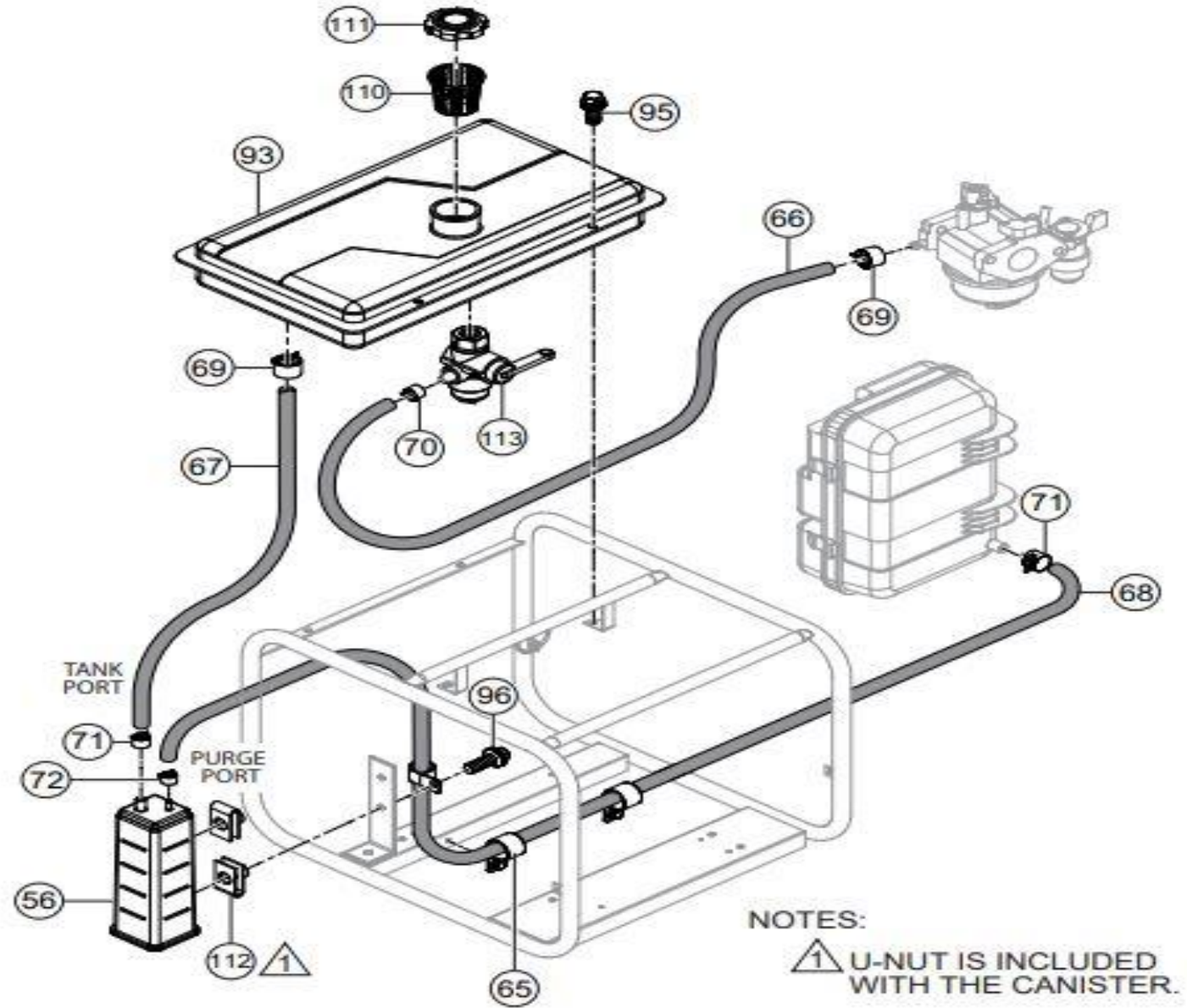


Frame Assembly



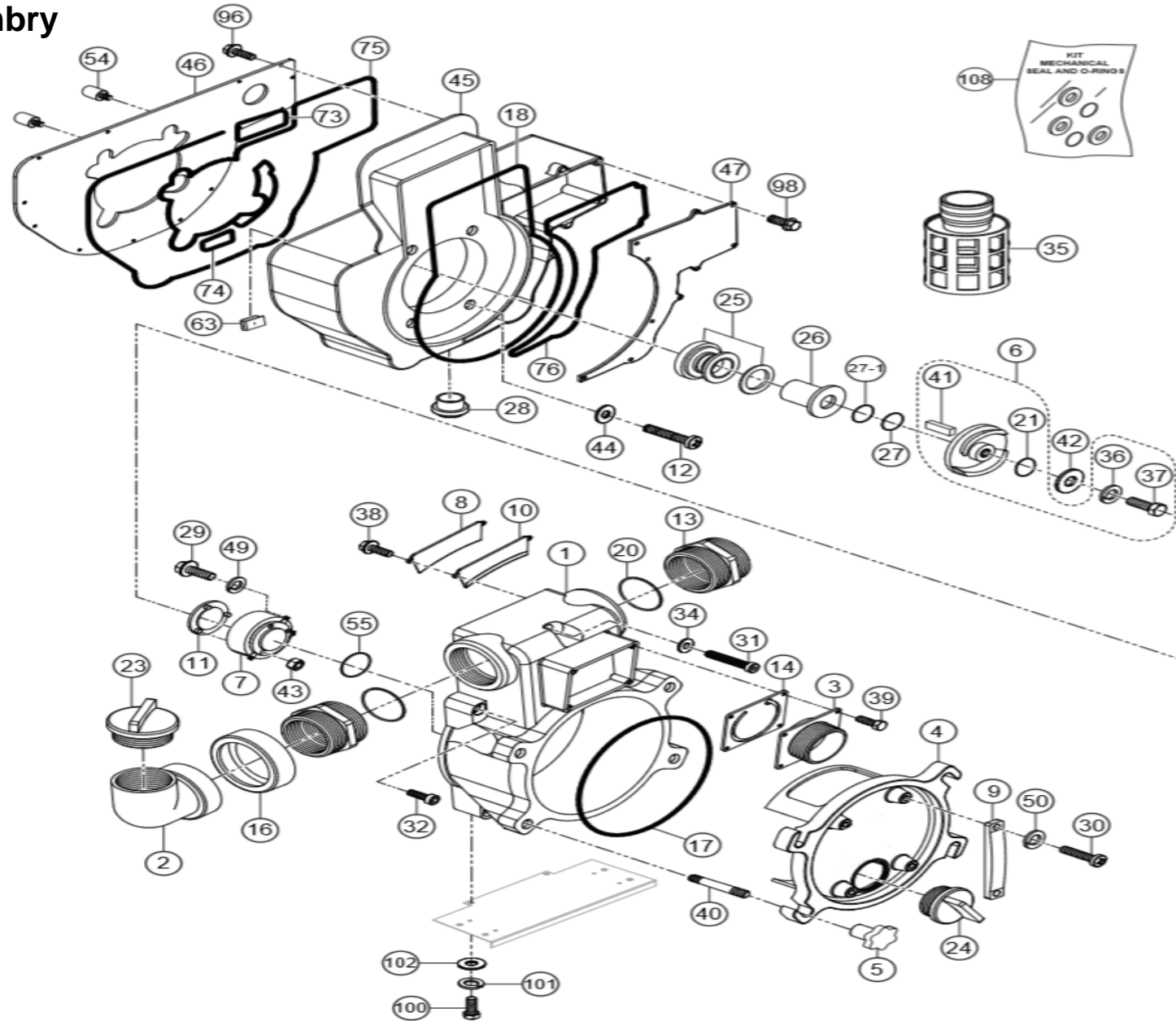
NOTES:
▲ THROTTLE LEVER
INCLUDES CABLE.

Fuel Tank Assembly



PARTS LIST & EXPLODED DRAWING (CP-3THX) [Updated on Dec. 4, 2018] MQS-Y-233-R00

Pump Assembly



No.	PARTS NO.	PARTS NAME	Q'TY	MATERIAL	LIST PRICE
	GX240RT2QMT	ENGINE	1		
1	1992-100011	CASING	1	ADC	@¥
2	8910-001550-0014	FLOODING ELBOW	1	FC	@¥
3	7306-000160-0014	SUCTION COVER	1	FC	@¥
4	7310-100173	DRAIN COVER	1	ADC	@¥
5	1992-000220-0014	DRAINCOVER HANDLE	4	FC	@¥
6	1992-040033	IMPELLER	1	FCD	@¥
7	1992-000110	VOLUTE CASING	1	FC	@¥
8	1992-100742	SUCTION PLATE	1	ADC	@¥
9	1247-100250	DRAIN COVER SET HANDLE	2	ADC	@¥
10	1992-330410	SUCTION PLATE PACKING	1	NBR	@¥
11	1992-250700	WEAR PLATE	1	SUS	@¥
12	013129-0689	CAP SCREW (CASING COVER SET BOLT)	4	SUS	@¥
13	079043-3030-0014	NIPPLE	2	FC	@¥
14	1378-350350CE	CHECK VALVE	1	NBR	@¥
15	7308-224650-0014	CUSHION RUBBER SPACER	4	SS400	@¥
16	8910-131560	FLOODING ELBOW COUPLING	1	AL	@¥
17	048360-2250	O-RING (DRAIN COVER)	1	NBR	@¥
18	048940-3400	O-RING (CASING)	1	NBR	@¥
19	8910-205130-C014	DUCT H	1	SS400	@¥
20	048131-0800	O-RING (NIPPLE)	2	NBR	@¥
21	048220-0240	O-RING (IMPELLER, MECHANICAL SEAL)	2	NBR	@¥
22	8910-214550-C014	CUSHION RUBBER PLATE	1	SS400	@¥

No.	PARTS NO.	PARTS NAME	Q'TY	MATERIAL	LIST PRICE
23	063121-1159	FLOODING CAP WITH O-RING	1	ABS	@¥
24	063121-1159	FLOODING CAP WITH O-RING	1	ABS	@¥
25	080344-2930	MECHANICAL SEAL	1	SIC×SIC	@¥
26	081188-5446	MECHANICAL SEAL SLEEVE	1	SUS	@¥
27	085283-4525	ADJUST LINER	1	Bs.P	@¥
27-1	085285-4525	ADJUST LINER	1	Bs.P	@¥
28	063121-4057	PLUG	1	SS400	@¥
29	013119-0823	CAP SCREW (VOLUTE CASING)	4	SUS	@¥
30	014109-0825	SCREW (DRAIN COVERSET HANDLE)	4	SUS	@¥
31	013119-1290	CAP SCREW (CASING)	1	SUS	@¥
32	013119-1235	CAP SCREW (CASING)	4	SUS	@¥
33	072522-3229	CUSHION RUBBER	6	NBR+SS400	@¥
34	045922-0120	SEAL WASHER (CASING COVER)	1	W12S1	@¥
35	074230-2080	STRAINER	1	SS400	@¥
36	045822-0100	SEAL WASHER IMPELLER	1	SUS+NBR	@¥
37	019119-0750	BOLT IMPELLER	1	SUS	@¥
38	018109-0820	BOLT SET WITH SPRING WASHER (SUCTION PLATE)	2	SUS	@¥
39	018109-0825	BOLT SET WITH SPRING WASHER (SUCTION COVER)	4	SUS	@¥
40	015119-1257	STUD BOLT (DRAIN COVER HANDLE)	4	SUS	@¥
41	052004-0431	KEY	1	S45C	@¥
42	4334-691240CE	IMPELLER WASHER	1	SS400	@¥
43	020449-0060	U-NUT WEAR PLATE	3	SUS	@¥
44	045822-0071	SEAL WASHER (CASING COVER)	4	NBR+SUS	@¥



PARTS PRICE LIST : CP-3THX

MEC : 2020/8/21

No.	PARTS NO.	PARTS NAME	Q'TY	MATERIAL	LIST PRICE
45	8910-100520	CASING COVER	1	ADC	@¥
46	8910-101440	CASING COVER PLATE (ENGINE SIDE)	1	ADC	@¥
47	8910-101450	CASING COVER PLATE (CASING SIDE)	1	ADC	@¥
48	8910-215110-C014	DUCT G	1	SS400	@¥
49	045129-0080	SPRING WASHER (VOLUTE CASING)	4	SUS	@¥
50	045129-0080	SPRING WASHER (DRAIN COVER SET HANDLE)	4	SUS	@¥
51	8910-215120-C014	ACCESSARY (DUCT G)	1	SS400	@¥
52	8910-215140-C014	DUCT I	1	SS400	@¥
53	8910-215180-C014	DUCT F	1	SS400	@¥
54	8910-503760	SILENCER	2	RESIN COMPACT	@¥
55	048057-0850	O-RING (VOLUTE CASING)	1	NBR	@¥
56	8910-802500	CANISTER	1	CHARCOAL	@¥
57	8911-204320-P002	BLACKET (CANISTER)	1	SS400	@¥
58	8911-204680-C014	SIDE PANEL (RIGHT HAND)	1	SS400	@¥
59	8911-204690-C014	SIDE PANEL (LEFT HAND)	1	SS400	@¥
60	8911-214010-P002	BASE	1	SS400	@¥
61	020549-0101	NUT	6	SUS	@¥
62	020915-0080	FLANGE NUT	7	SS400	@¥
63	047251-2020	CLIP	3	SUS	@¥
64	049023-0500	URETHANE SHEET	1	URETHANE	@¥
65	093320-0012	SADDLE BAND	3	SS400	@¥
66	8911-343700	HOSE (COCK-CARBURETOR)	1	NBR+FKM	@¥

No.	PARTS NO.	PARTS NAME	Q'TY	MATERIAL	LIST PRICE
67	8910-343720	HOSE (FUEL TANK-CANISTER)	1	NBR+FKM	@¥
68	8910-343730	HOSE (AIRCLEANER-CANISTER)	1	NBR+FKM	@¥
69	093720-0008	HOSE CLIP	2	SS400	@¥
70	093720-0009	HOSE CLIP	1	SS400	@¥
71	093720-0012	HOSE CLIP	2	SS400	@¥
72	093720-0014	HOSE CLIP	1	SS400	@¥
73	8910-670460	SILICON O-RING 1	1	SILICON	@¥
74	8910-670470	SILICON O-RING 2	1	SILICON	@¥
75	8910-670480	SILICON O-RING 3	1	SILICON	@¥
76	8910-670490	SILICON O-RING 4	1	SILICON	@¥
81	8910-718350	GLASS WOOL (DUCT F)	1	GLASS WOOL	@¥
82	8910-718360	GLASS WOOL (DUCT G)	1	GLASS WOOL	@¥
83	8910-718370	GLASS WOOL (DUCT H)	1	GLASS WOOL	@¥
84	8910-718380	GLASS WOOL (DUCT I)	1	GLASS WOOL	@¥
85	8911-214560-C014	BOX (RECOIL)	1	SS400	@¥
86	8911-214570-C014	COVER (RECOIL)	1	SS400	@¥
87	8911-215190-C014	DUCT END COVER	1	SS400	@¥
88	8911-237080	THROTTLE WIRE WITH LEVER	1	SS400 + PE	@¥
89	8911-718310	GLASS WOOL (RECOIL COVER)	1	GLASS WOOL	@¥
90	8911-718320	GLASS WOOL (BOX RECOIL)	1	GLASS WOOL	@¥
91	8911-718330	GLASS WOOL (BOX RECOIL)	1	GLASS WOOL	@¥
92	8911-718340	GLASS WOOL (BOX RECOIL)	1	GLASS WOOL	@¥

No.	PARTS NO.	PARTS NAME	Q'TY	MATERIAL	LIST PRICE
93	8911-800900	FUEL TANK	1	SS400	@¥
94	010506-0510	HEXAGON HEAD SCREW WITH CAPTIVE WASHER	12	SS400	@¥
95	010506-0612	HEXAGON HEAD SCREW WITH CAPTIVE WASHER	6	SS400	@¥
96	010506-0616	HEXAGON HEAD SCREW WITH CAPTIVE WASHER	23	SS400	@¥
98	016105-0510	CROSS RECESSED FLAT HEAD SCREW	10	SS400	@¥
99	014115-0616	SCREW	4	SS400	@¥
100	010505-1020	BOLT	2	SS400	@¥
101	045128-0100CE	SPRING WASHER	8	SS400	@¥
102	040175-0100CE	PLATE WASHER	2	SS400	@¥
103	040175-0080CE	PLATE WASHER	1	SS400	@¥
104	045128-0080CE	SPRING WASHER	1	SS400	@¥
105	010506-0820	HEXAGON HEAD SCREW WITH CAPTIVE WASHER	1	SS400	@¥
106	010505-0816	BOLT	1	SS400	@¥
107	C60000-0004	ROPE BUSHING	1	NYLON	@¥
110	8910-310980	FUEL FILTER	1	NYLON	@¥
111	8910-240950	FUEL CAP	1	SS400+NBR	@¥
113	8910-140990	FUEL VALVE	1		@¥
114	079040-3030-0014	NIPPLE	1	FC	@¥
115	074110-1080	HOSE COUPLING SET	2	ADC	@¥
115-1	074433-0080	HOSE COUPLING PACKING	2	NBR	@¥
116	093225-0090	WIRE HOSE BAND	2	SWRM	@¥
117	093225-3000	WIRE HOSE BAND	1	SWRM	@¥