

CAIMAN

Parts Catalogue

CAIMAN DAKO 25H

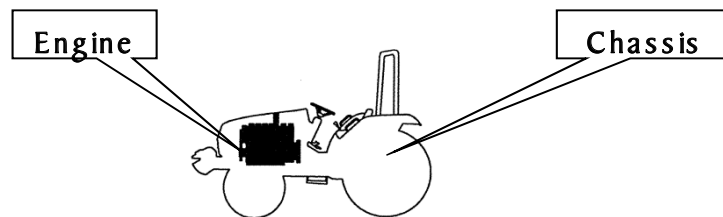
Important tips of Parts Catalogue

We thank you for your purchasing our product, manufactured under strict quality control, by gathering plenty of experiences and new technology, designed for a comfort and pleasant work.

1. Part Composition

This catalogue deals with engine and chassis.

Detailed classifications are listed in the following page.



2. For locating parts easily, Please Note:

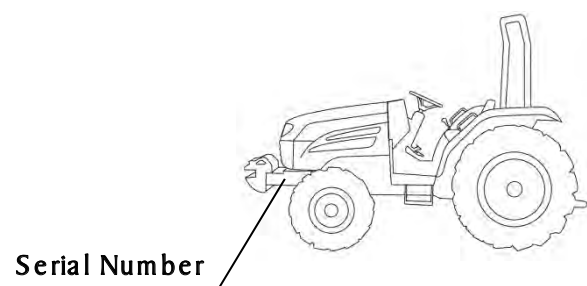
A. If you know the assembly where the part is used.

- Refer to the relevant figure from the identifying group symbol illustration,
- Locate the relevant chapter
- Refer to the particular chapter desired.

3. For ordering parts

To obtain spare parts please contact your nearest dealer and give him the details listed below.

- ① Tractor Model : CAIMAN DAKO 25H
- ② Tractor Serial Number : H00001
- ③ Part Number : 11111010010
- ④ Description : COUPLING , PTO
- ⑤ Quantity required: 1



4. For ordering PARTS CATALOGUE

This is Priced item and one is to order the same on part No. 11719120030

This supersedes all our editions.

Note) When replacing parts, please use original spare parts to be sure of the performance and the longer life of the product

☒ The information in this catalogue may at any time be modified without a prior notice for the improvement of performance, please consult our spare parts dept. for the detailed inquiry.

5. How to use parts catalogue

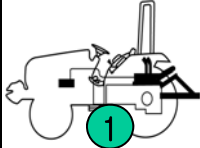
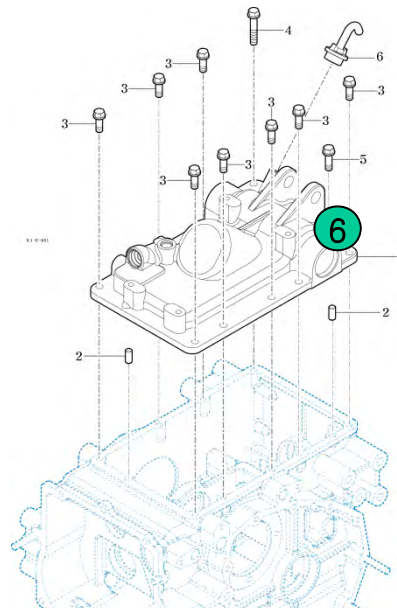
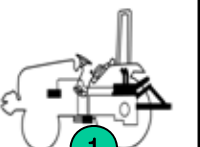
FIG 601 2	3 CYLINDER CASE	P1 4	YEAR 5 2019	
				
NOTE	13			

FIG 601 2 2505H	3 CYLINDER CASE	P1 4	YEAR 5 2019				
KEY NO.	PART NO.	DESCRIPTION	SPEC.	QTY.	REPAIR	EFFECTIVE DATE	REMARKS
601 001	11105010011M	CASE , CYLINDER		1			
601 002	V5201010018	PIN , PARALLEL/A	10x20(A)	2			
601 003	V2173610030	BOLT , HEX/S	M10x30	8			
601 004	V2173610055	BOLT , HEX/S	M10x55	1			
601 005	V2173610065	BOLT , HEX/S	M10x65	1			
6	7	8	9	10	11	12	14
NOTE	13						

- ① Group Indication : Indicate the relevant location of the part with a symbol illustration.
- ② Figure Number: Indicate the relevant section of the machine with a figure number.
- ③ Section Name : Indicate the section name of the machine
- ④ Section Page : Page number of the section in this catalogue.
- ⑤ Date : Show the Year of the section made or updated

⑥ Key number : Indicating number of each parts in the illustration.

⑦ Part Number : Unique part number maintained in our system

The part number starting with V or M means it is KM's standard part

The alphabet at the end of part number means the status of material or the color of paint

Legend : M:Machining, DG:Dark Gray, BR:Bright Red, SW:Summer White, PB:Pure Black, GB:Glossy Black, SR:Super Red, MS:Metallic Silver DD:Heat proof Black, TY: Tangerine Yellow etc.

⑧ Description : Description of a part, Abbreviation means as follows.

- Indicate the mixture condition of a part

ASSY : Assembly with a mixture of several parts, so can be broke up retaining their original form

COMP : Assembly with a mixture of several parts, but can not be broke up retaining their original form

SUB : mean the same as ASSY but used in lower level in aid.

SET : Part consist of ASSY, COMP, and part(s) as a group

- Indicate the location of a part

LH: Left, RH: Right, FR: Front, RR: Rear, UPR: Upper, LOW: Lower

⑨ Type : Type of the standard items like bolt or nut

⑩ Quantity : Total quantity of the part referred to in the page.

Symbol below indicate options. So, show the quantity of each option.

Note) AR means as requested quantity.

⑪ Repair Parts consumption frequency class: indicate the level of a part in aid of stocking spares, anticipating the service requirements.

A :Fast moving part(frequently required)

B :Medium moving part (sometimes required)

C :Slow moving part(rarely required)

⑫ Modification :

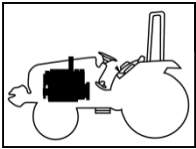
Year/Month~ : From which the change starts

~ Year/Month : To which the part installed

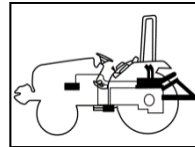
⑬ Notes : explain some reference data

⑭ Remark : indicate reference data or abbreviation in the content.

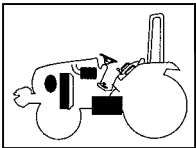
ENGINEERING GROUP INDEX



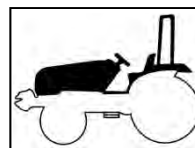
1 ENGINE



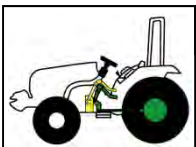
6 HYDRAULICS & 3-POINT LINK



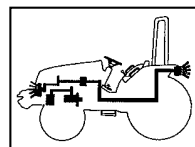
2 ENGINE ACCESSORIES & CONTROL



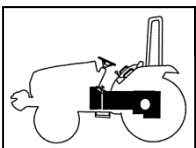
7 SHEET METAL & ROPS



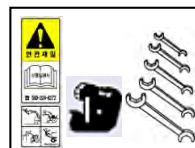
3 CLUTCH, BRAKE, STEERING



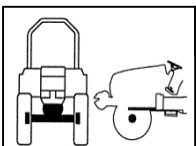
8 ELECTRICALS & HARNESS



4 TRANSMISSION & REAR AXLE



9 LABEL, TOOLS



5 FRONT AXLE, SUPPORTER & DRIVE SHAFT

067 020	12305180020
077 036	12403160020
036 005	13022250030
037 010	13022250131
041 005	13022250232
046 002	13022250333

10 NUMERICAL INDEX

CONTENTS

ENGINE

1 ENGINE

FIG 101 CYLINDER BLOCK -----	04
FIG 102 GEAR HOUSING -----	06
FIG 103 OIL SUMP -----	08
FIG 104 CYLINDER HEAD & BONNET -----	10
FIG 105 EXHAUST MANIFOLD -----	12
FIG 106 CAMSHAFT & DRIVING GEAR -----	14
FIG 107 CRANKSHAFT & PISTON -----	16
FIG 108 LUB. OIL SYSTEM -----	18
FIG 109 COOLING WATER SYSTEM -----	20
FIG 110 FUEL INJECTION PUMP -----	22
FIG 111 GOVERNOR -----	24
FIG 112 FUEL INJECTION VALVE -----	26
FIG 113 FUEL FILTER -----	28
FIG 114 STARTING MOTOR -----	30
FIG 115 GENERATOR -----	32

CHASSIS

2 ENGINE ACCESSORIES & CONTROL

FIG 201 AIR CLEANER -----	38
FIG 202 RADIATOR -----	40
FIG 203 MUFFLER -----	42
FIG 204 FUEL TANK & FUEL LINE -----	44
FIG 205 ACCELERATOR -----	46
FIG 206 FUEL FILTER -----	48
FIG 207 ENGINE MOUNTING -----	50

3 BRAKE,STEERING

FIG 301 FLYWHEEL COVER -----	56
FIG 302 BRAKE -----	58
FIG 303 BRAKE PEDAL & LINKAGE -----	60
FIG 304 SPEED CONTROL -----	62
FIG 305 DASH COVER -----	64
FIG 306 STEERING VALVE -----	66
FIG 307 STEERING CYLINDER -----	68
FIG 308 STEERING WHEEL -----	70
FIG 309 WHEEL -----	72

4 TRANSMISSION & REAR AXLE

FIG 401 INPUT SHAFT -----	78
FIG 402 HST -----	80
FIG 403 INPUT GEAR -----	82
FIG 404 RANGE GEAR -----	84
FIG 405 4WD DRIVE GEAR -----	86
FIG 406 P.T.O DRIVE SHAFT -----	88
FIG 407 P.T.O SHAFT -----	90

FIG 408 MID P.T.O GEAR -----	92
FIG 409 DIFF LOCK -----	94
FIG 410 REAR TRANSMISSION CASE -----	96
FIG 411 REAR AXLE HOUSING -----	98
FIG 412 RANGE SHIFT LEVER -----	100
FIG 413 P.T.O CHANGE LEVER -----	102
FIG 414 4WD CHANGE LEVER -----	104
FIG 415 TRANSMISSION MOUNTING -----	106

5 FRONT AXLE

FIG 501 FRONT DRIVE SHAFT -----	112
FIG 502 FRONT DIFFERENTIAL GEAR -----	114
FIG 503 FRONT AXLE HOUSING -----	116
FIG 504 FRONT GEAR CASE (1) -----	118
FIG 505 FRONT GEAR CASE (2) -----	120

6 HYDRAULICS & 3-POINT LINK

FIG 601 CYLINDER CASE -----	126
FIG 602 LIFT ARM -----	128
FIG 603 FLOW CONTROL VALVE -----	130
FIG 604 MAIN CONTROL VALVE -----	132
FIG 605 HYDRAULIC SUB -----	134
FIG 606 HITCH & 3-POINT LINKAGE -----	136
FIG 607 HITCH & COVER -----	138

7 SHEET METAL & R.O.P.S

FIG 701 BONNET -----	144
FIG 702 FLOOR -----	146
FIG 703 SEAT -----	148
FIG 704 ROPS -----	150
FIG 705 LEVER COVER & FENDER -----	152

FIG 706 LAMP -----154

8 ELECTRICALS & HARNESS

FIG 801 BATTERY MOUNTING -----160

FIG 802 INSTRUMENT PANEL-----162

FIG 803 HARNESS -----164

FIG 804 HARNESS -----166

FIG 805 HARNESS -----168

9 LABEL, TOOLS

FIG 901 TOOL & ACCESSORY -----174

FIG 902 LABEL -----176

FIG 903 LABEL -----178

FIG 905 AUXILIARY VALVE KIT (OPTION) -----180

10 NUMERICAL INDEX

ENGINE -----189

CHASSIS -----192

ENGINE

1 ENGINE

FIG 101 CYLINDER BLOCK	-----04
FIG 102 GEAR HOUSING	-----06
FIG 103 OIL SUMP	-----08
FIG 104 CYLINDER HEAD & BONNET	-----10
FIG 105 EXHAUST MANIFOLD	-----12
FIG 106 CAMSHAFT & DRIVING GEAR	-----14
FIG 107 CRANKSHAFT & PISTON	-----16
FIG 108 LUB. OIL SYSTEM	-----18
FIG 109 COOLING WATER SYSTEM	-----20
FIG 110 FUEL INJECTION PUMP	-----22
FIG 111 GOVERNOR	-----24
FIG 112 FUEL INJECTION VALVE	-----26
FIG 113 FUEL FILTER	-----28
FIG 114 STARTING MOTOR	-----30
FIG 115 GENERATOR	-----32

CHASSIS

2 ENGINE ACCESSORIES & CONTROL

FIG 201 AIR CLEANER	-----	38
FIG 202 RADIATOR	-----	40
FIG 203 MUFFLER	-----	42
FIG 204 FUEL TANK & FUEL LINE	-----	44
FIG 205 ACCELERATOR	-----	46
FIG 206 FUEL FILTER	-----	48
FIG 207 ENGINE MOUNTING	-----	50

3 BRAKE,STEERING

FIG 301 FLYWHEEL COVER -----	56
FIG 302 BRAKE -----	58
FIG 303 BRAKE PEDAL & LINKAGE -----	60
FIG 304 SPEED CONTROL -----	62
FIG 305 DASH COVER -----	64
FIG 306 STEERING VALVE -----	66
FIG 307 STEERING CYLINDER -----	68
FIG 308 STEERING WHEEL -----	70
FIG 309 WHEEL -----	72

4 TRANSMISSION & REAR AXLE

FIG 401 INPUT SHAFT -----	78
FIG 402 HST -----	80
FIG 403 INPUT GEAR -----	82
FIG 404 RANGE GEAR -----	84
FIG 405 4WD DRIVE GEAR -----	86
FIG 406 P.T.O DRIVE SHAFT -----	88
FIG 407 P.T.O SHAFT -----	90
FIG 408 MID P.T.O GEAR -----	92
FIG 409 DIFF LOCK -----	94
FIG 410 REAR TRANSMISSION CASE -----	96
FIG 411 REAR AXLE HOUSING -----	98
FIG 412 RANGE SHIFT LEVER -----	100
FIG 413 P.T.O CHANGE LEVER -----	102
FIG 414 4WD CHANGE LEVER -----	104
FIG 415 TRANSMISSION MOUNTING -----	106

5 FRONT AXLE

FIG 501 FRONT DRIVE SHAFT	-----	112
FIG 502 FRONT DIFFERENTIAL GEAR	-----	114
FIG 503 FRONT AXLE HOUSING	-----	116
FIG 504 FRONT GEAR CASE (1)	-----	118
FIG 505 FRONT GEAR CASE (2)	-----	120

6 HYDRAULICS & 3-POINT LINK

FIG 601 CYLINDER CASE -----	126
FIG 602 LIFT ARM -----	128
FIG 603 FLOW CONTROL VALVE -----	130
FIG 604 MAIN CONTROL VALVE -----	132
FIG 605 HYDRAULIC SUB -----	134
FIG 606 HITCH & 3-POINT LINKAGE -----	136
FIG 607 HITCH & COVER -----	138

7 SHEET METAL & R.O.P.S

FIG 701 BONNET	-----	144
FIG 702 FLOOR	-----	146
FIG 703 SEAT	-----	148
FIG 704 ROPS	-----	150
FIG 705 LEVER COVER & FENDER	-----	152
FIG 706 LAMP	-----	154

8 ELECTRICALS & HARNESS

FIG 801 BATTERY MOUNTING	-----	160
FIG 802 INSTRUMENT PANEL	-----	162
FIG 803 HARNESS	-----	164
FIG 804 HARNESS	-----	166
FIG 805 HARNESS	-----	168

9 WEIGHT,LABEL,TOOLS

FIG 901 TOOL & ACCESSORY -----174
FIG 902 LABEL -----176
FIG 903 LABEL -----178
FIG 905 AUXILIARY VALVE KIT (OPTION) -----180

10 NUMERICAL INDEX

ENGINE	-----	189
CHASSIS	-----	192

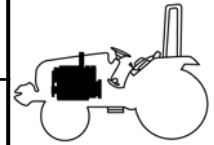
FIG 101

CYLINDER BLOCK

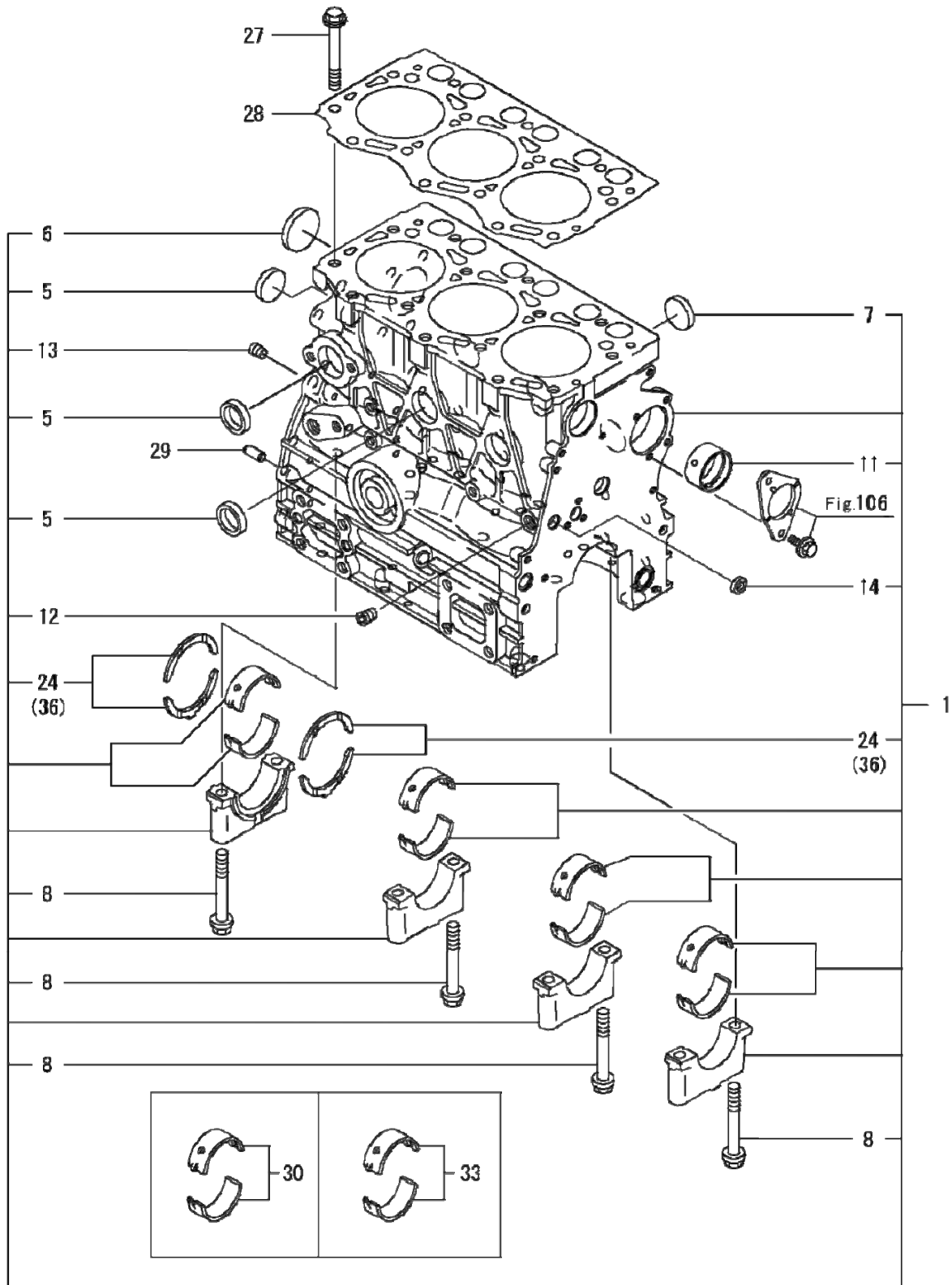
P1

YEAR

2020



DAKO 25H



NOTE

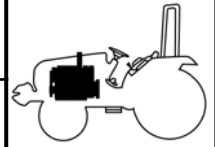
FIG 102

GEAR HOUSING

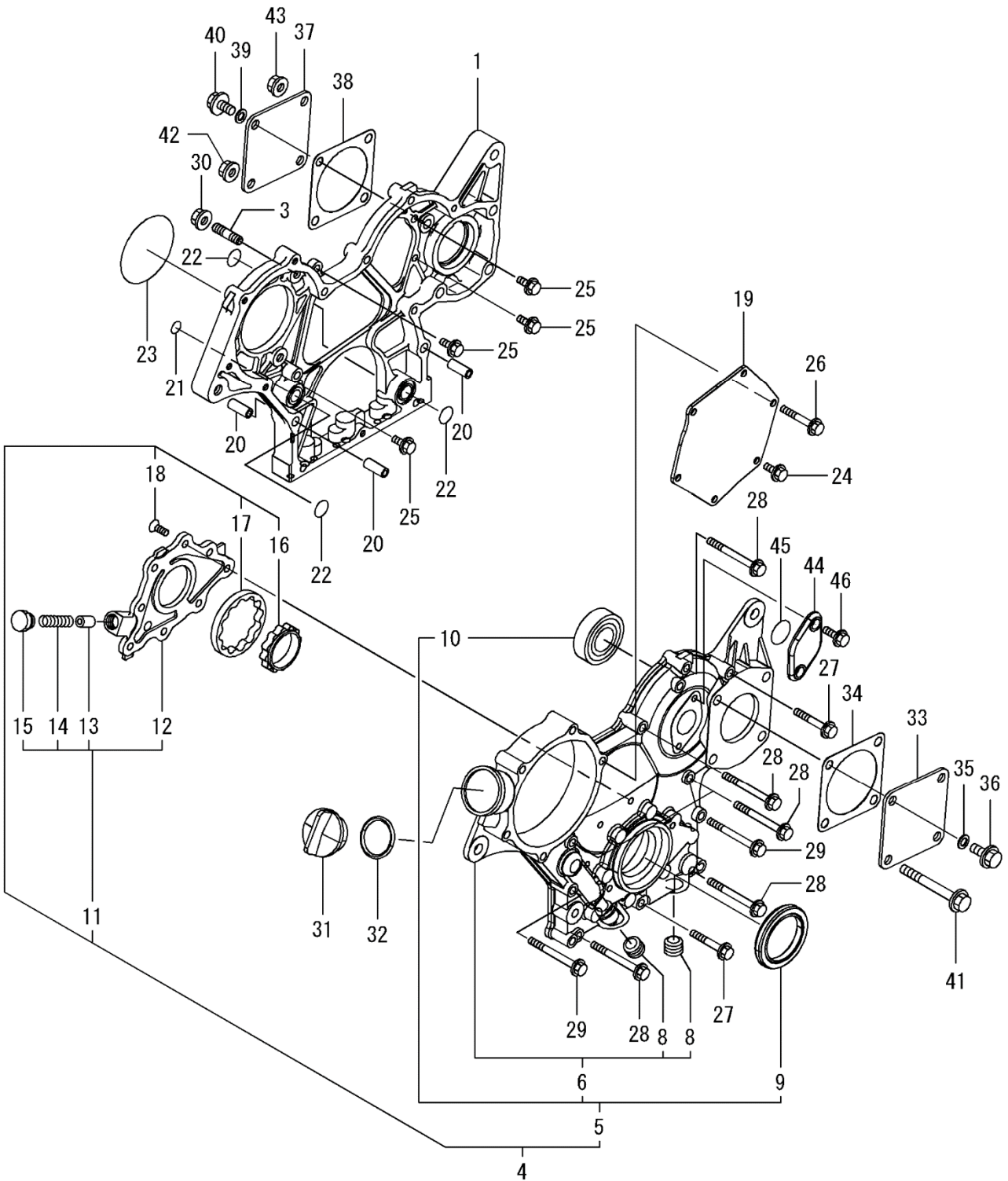
P1

YEAR

2020



DAKO 25H



NOTE

FIG 102		GEAR HOUSING				P1	YEAR	
DAKO 25H							2020	
KEY NO	PART NO.	DESCRIPTION	SPEC.	QTY.	REPAIR	EFFECTIVE DATE	REMARKS	
102 001	119740-01501	CASE, GEAR		1				
102 003	119717-01570	STUD		3				
102 004	119751-01590	COVER ASSY, GEAR CASE		1				
102 005	719751-01500	COVER ASSY, GEAR CASE		1				
102 006	119751-01521	COVER, GEAR CASE		1				
102 008	23876-030000	PLUG, R03		2				
102 009	119717-01800	SEAL, OIL		1				
102 010	24101-062024	BEARING, BALL 6202		1				
102 011	119717-32100	COVER ASSY		1				
102 012	119717-32080	COVER		1				
102 013	129900-32130	VALVE, RELIEF		1				
102 014	129001-32320	SPRING		1				
102 015	129001-32330	PLUG		1				
102 016	119717-32110	ROTOR, INNER		1				
102 017	119717-32120	ROTOR, OUTER		1				
102 018	119802-32130	SCREW, M6X16		8				
102 019	119717-01750	COVER		1				
102 020	119660-01911	PIPE, KNOCK		4				
102 021	119624-32040	O-RING, P12.0		1				
102 022	119717-32050	O-RING, P17.0		3				
102 023	121850-51960	O-RING		1				
102 024	26106-060122	BOLT, M6X 12 PLATED		1				
102 025	26106-060162	BOLT, M6X 16 PLATED		4				
102 026	26106-060402	BOLT, M6X 40 PLATED		4				
102 027	26106-060402	BOLT, M6X 40 PLATED		2				
102 028	26106-060602	BOLT, M6X 60 PLATED		7				
102 029	26106-060652	BOLT, M6X 65 PLATED		2				
102 030	26306-080002	NUT, M8		3				
102 031	124160-01751	COVER, FILLER		1				
102 032	24311-000320	O-RING, 1AP32.0		1				
102 033	124240-01871	COVER		1				
102 034	129C26-01890	GASKET, HO-P		1				
102 035	22190-080002	WASHER, SEAL 8		1				
102 036	26106-080122	BOLT, M8X 12 PLATED		1				
102 037	124240-01871	COVER		1				
102 038	129C26-01890	GASKET, HO-P		1				
102 039	22190-080002	WASHER, SEAL 8		1				
102 040	26106-080142	BOLT, M8X 14 PLATED		1				
102 041	26106-080702	BOLT, M8X 70 PLATED		3				
102 042	26306-080002	NUT, M8		1				
102 043	26306-080002	NUT, M8		2				
102 044	121023-01551	COVER		1				
102 045	24341-000240	O-RING, 1AS24.0		1				
102 046	26106-060162	BOLT, M6X 16 PLATED		2				
NOTE								

FIG 103

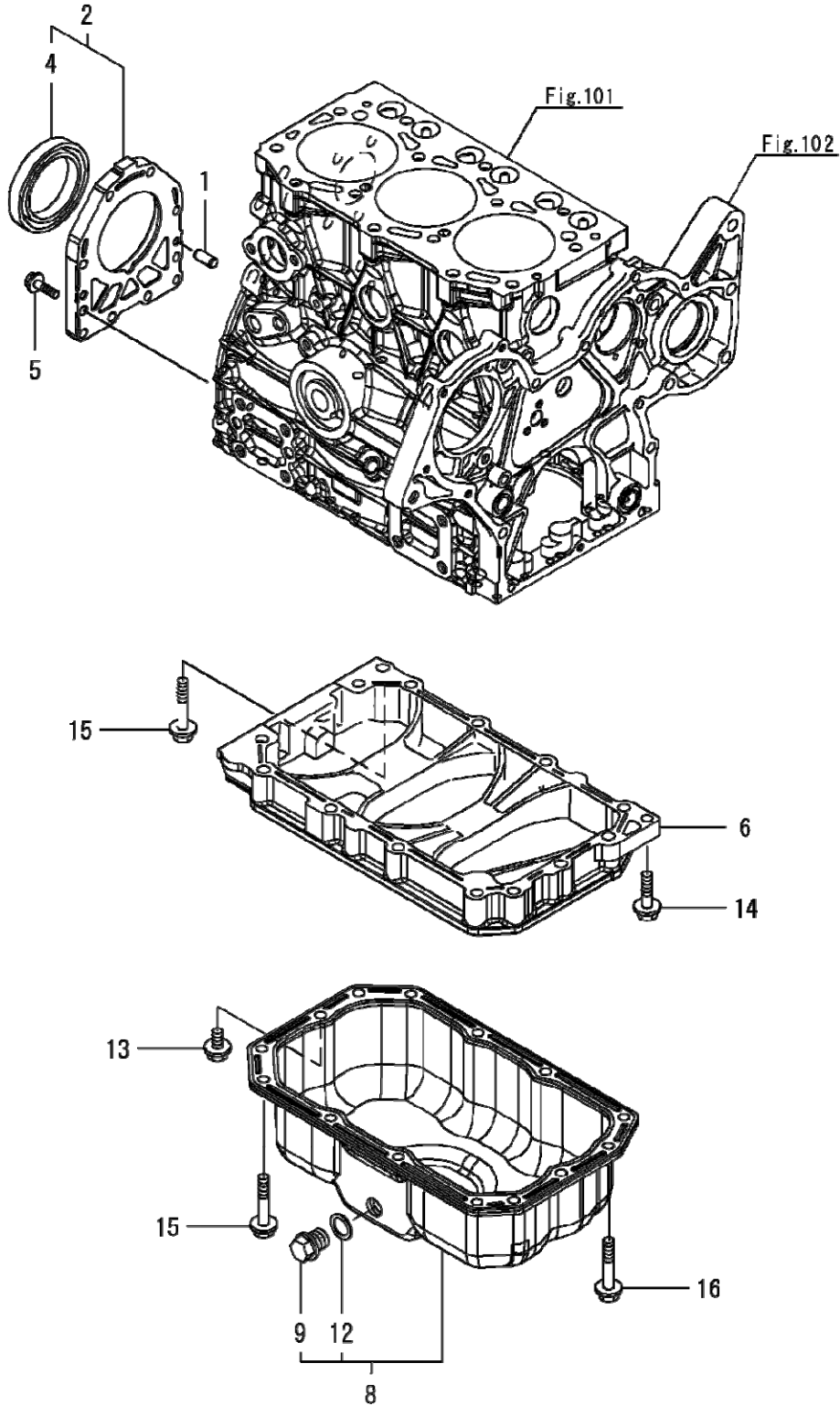
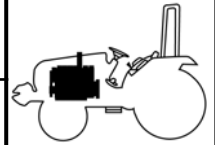
DAKO 25H

OIL SUMP

P1

YEAR

2020



NOTE

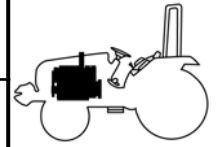
FIG 104

CYLINDER HEAD & BONNET

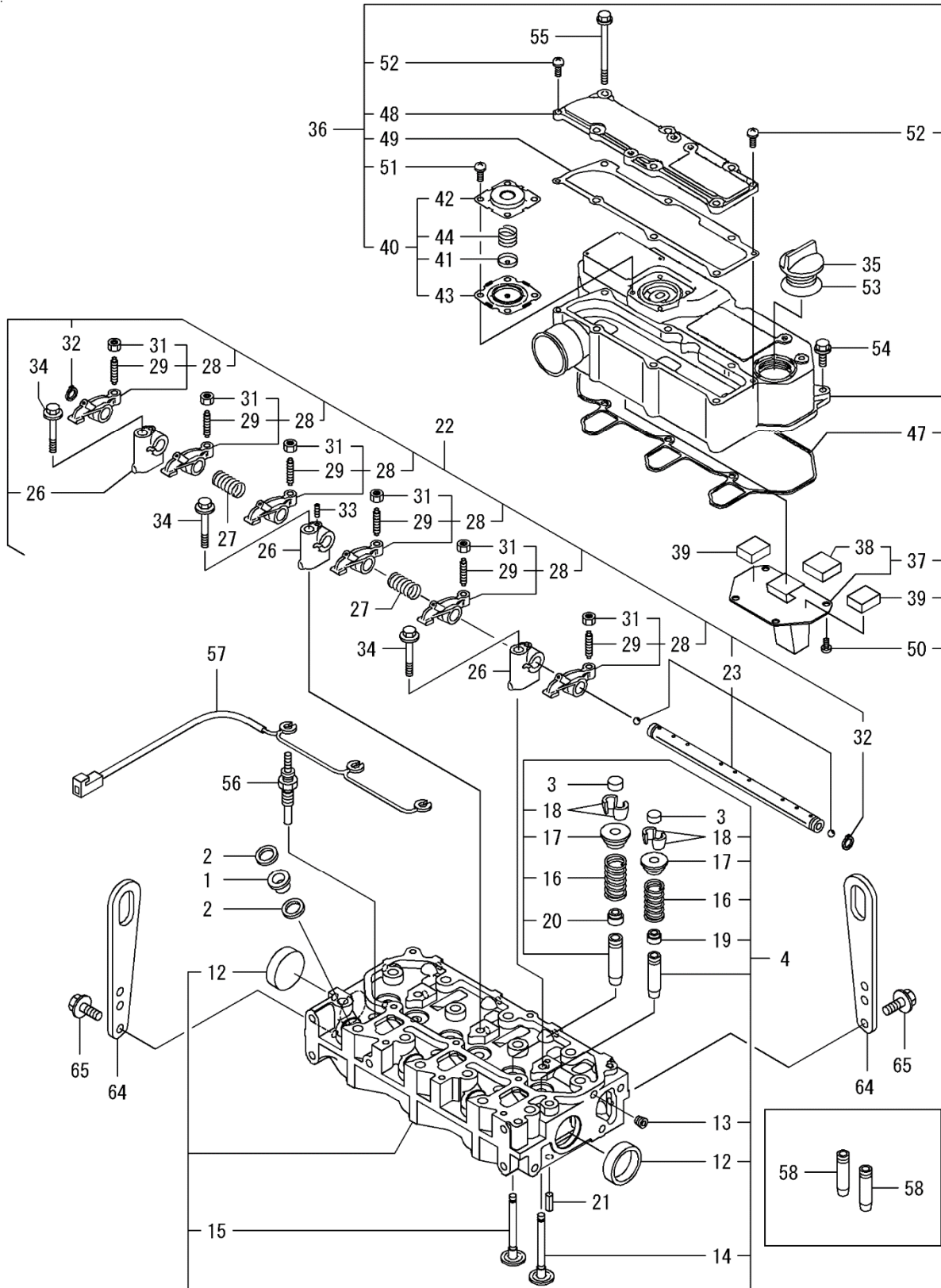
P1

YEAR

2020



DAKO 25H



NOTE

FIG 104		CYLINDER HEAD & BONNET				P1	YEAR	
DAKO 25H							2020	
KEY NO	PART NO.	DESCRIPTION	SPEC.	QTY.	REPAIR	EFFECTIVE DATE	REMARKS	
104 001	129901-11450	PROTECTOR, NOZZLE		3				
104 002	119600-11460	GASKET, NOZZLE		6				
104 003	105010-11490	CAP, VALVE		6				
104 004	119717-11740	HEAD ASSY, CYLINDER		1				
104 012	119285-11990	PLUG, 35		2				
104 013	23876-005000	PLUG, R005		1				
104 014	119717-11101	VALVE, INTAKE		3				
104 015	119717-11110	VALVE, EXHAUST		3				
104 016	119717-11131	SPRING, VALVE		6				
104 017	129508-11180	RETAINER, SPRING		6				
104 018	119717-11190	COTTER		12				
104 019	119717-11340	SEAL, VALVE STEM		3				
104 020	119717-11350	SEAL, VALVE STEM		3				
104 021	22351-060012	PIN, SPRING 6.0X12		2				
104 022	119717-11200	SUPPORT ASSY, ARM		1				
104 023	119717-11240	SHAFT ASSY, ROCKER		1				
104 026	119717-11260	SUPPORT, ROCKER ARM		3				
104 027	119620-11280	SPRING		2				
104 028	119717-11650	ARM, ROCKER		6				
104 029	129150-11230	SCREW, VALVE ADJUST		6				
104 031	129150-11750	NUT, M8		6				
104 032	22242-000120	RING, 12		2				
104 033	26979-050162	SCREW, M5X16		1				
104 034	26106-080402	BOLT, M8X 40 PLATED		3				
104 035	124160-01751	COVER, FILLER		1				
104 036	119717-11381	BONNET ASSY, HEAD		1				
104 037	119717-03031	PLATE		1				
104 038	119717-03070	BAFFLE, BREATHER		1				
104 039	119717-03070	BAFFLE, BREATHER		2				
104 040	119802-03100	DIAPHRAGM ASSY		1				
104 041	119802-03110	PLATE		1				
104 042	119802-03121	COVER, DIAPHRAGM		1				
104 043	119802-03131	DIAPHRAGM		1				
104 044	119802-03141	SPRING, DIAPHRAGM		1				
104 047	119718-11310	GASKET, BONNET		1				
104 048	119717-11320	COVER, BONNET		1				
104 049	119717-11331	GASKET		1				
104 050	22857-500100	SCREW, 5X10		4				
104 051	22857-500100	SCREW, 5X10		4				
104 052	22857-500160	SCREW, 5X16		2				
104 053	24311-000320	O-RING, 1AP32.0		1				
104 054	26106-060202	BOLT, M6X20 PLATED		3				
104 055	26106-060752	BOLT, M6X75 PLATED		6				
104 056	119717-77801	PLUG, GLOW		3				
104 057	119717-77820	CONNECTOR, GLOW PLUG		1				
104 058	119717-11800	GUIDE, VALVE		6				
104 064	129900-07900	LIFTER		2				
104 065	26106-080162	BOLT, M8X 16 PLATED		4				
NOTE	(1)Spare parts.							

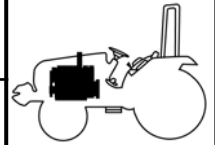
FIG 105

EXHAUST MANIFOLD

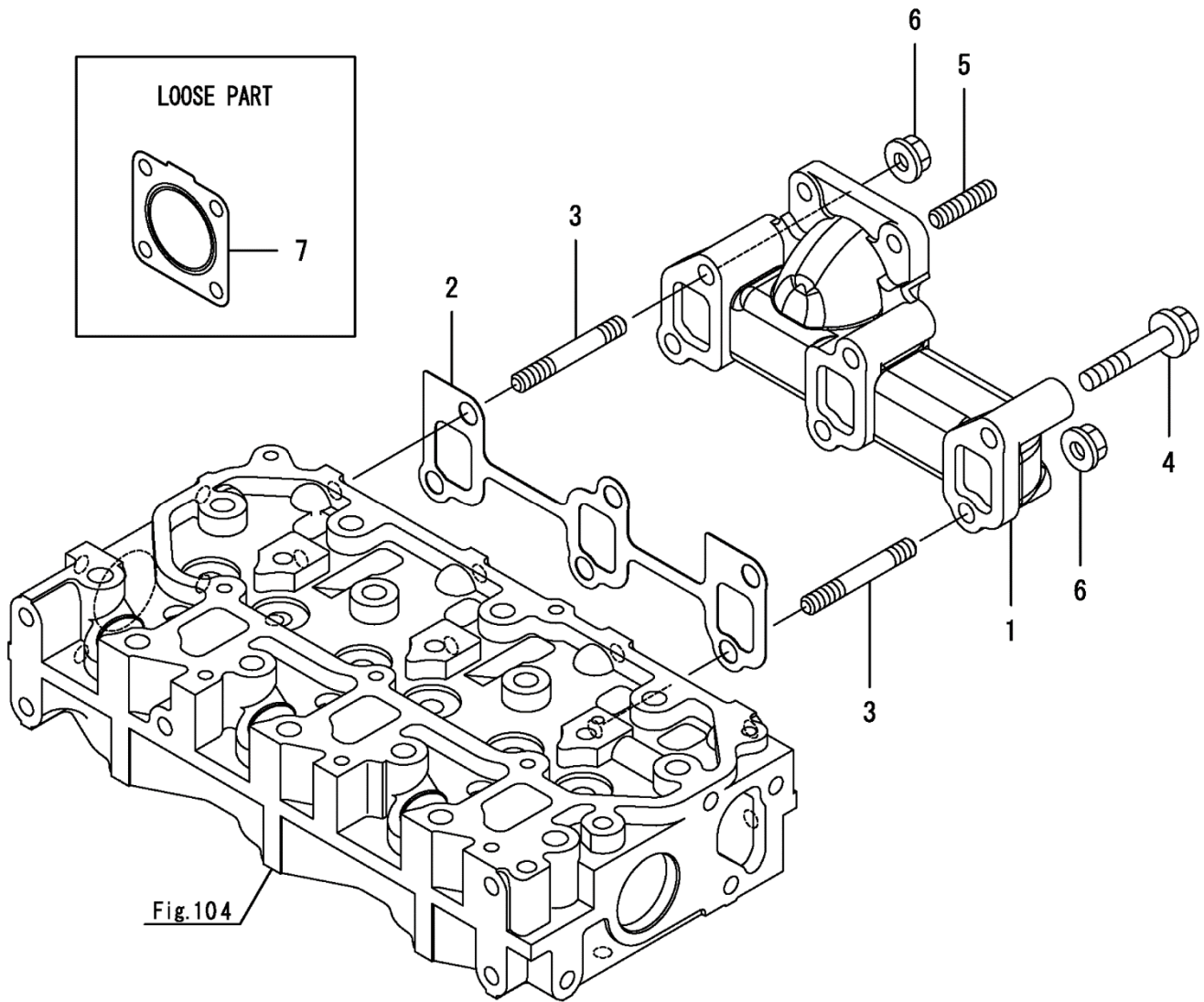
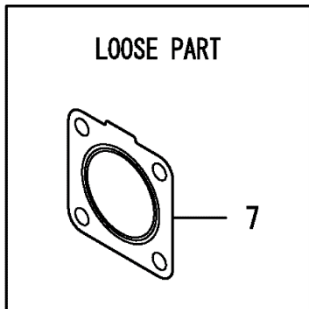
P1

YEAR

2020



DAKO 25H



NOTE

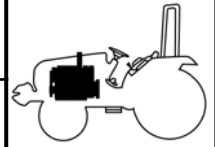
FIG 106

CAMSHAFT & DRIVING GEAR

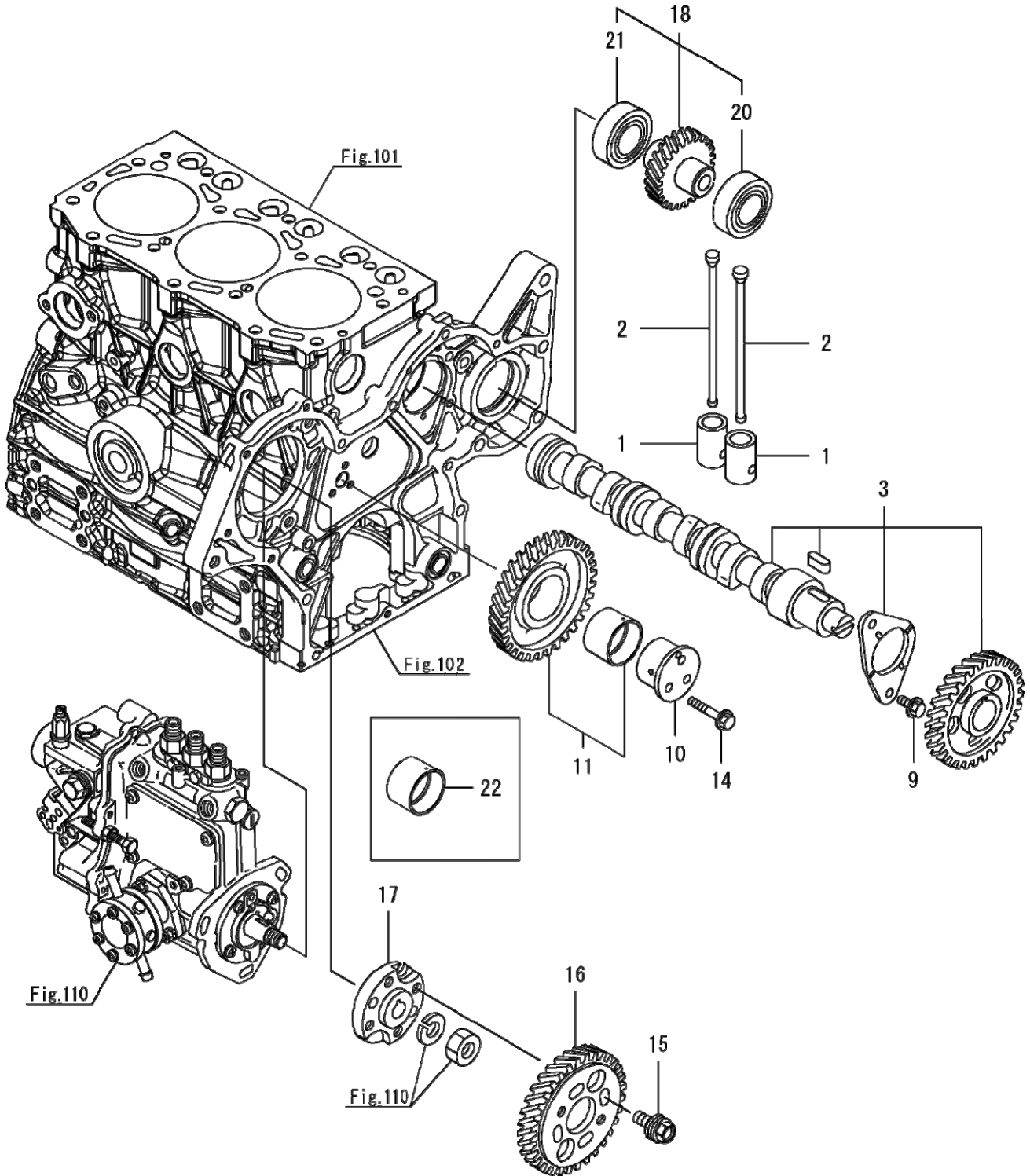
P1

YEAR

2020



DAKO 25H



NOTE

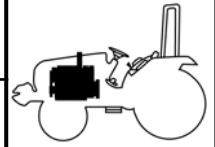
FIG 107

CRANKSHAFT & PISTON

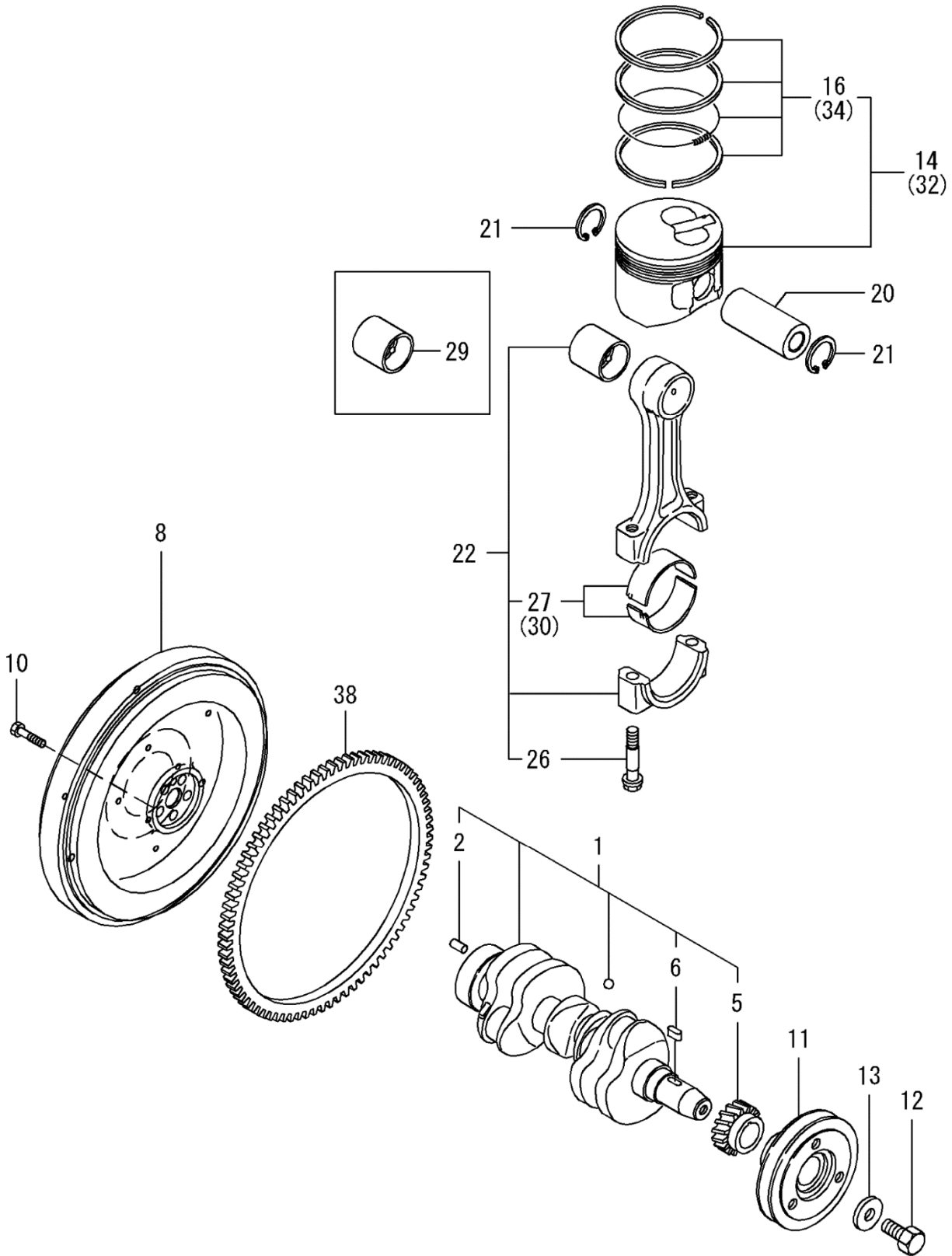
P1

YEAR

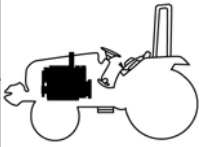
2020

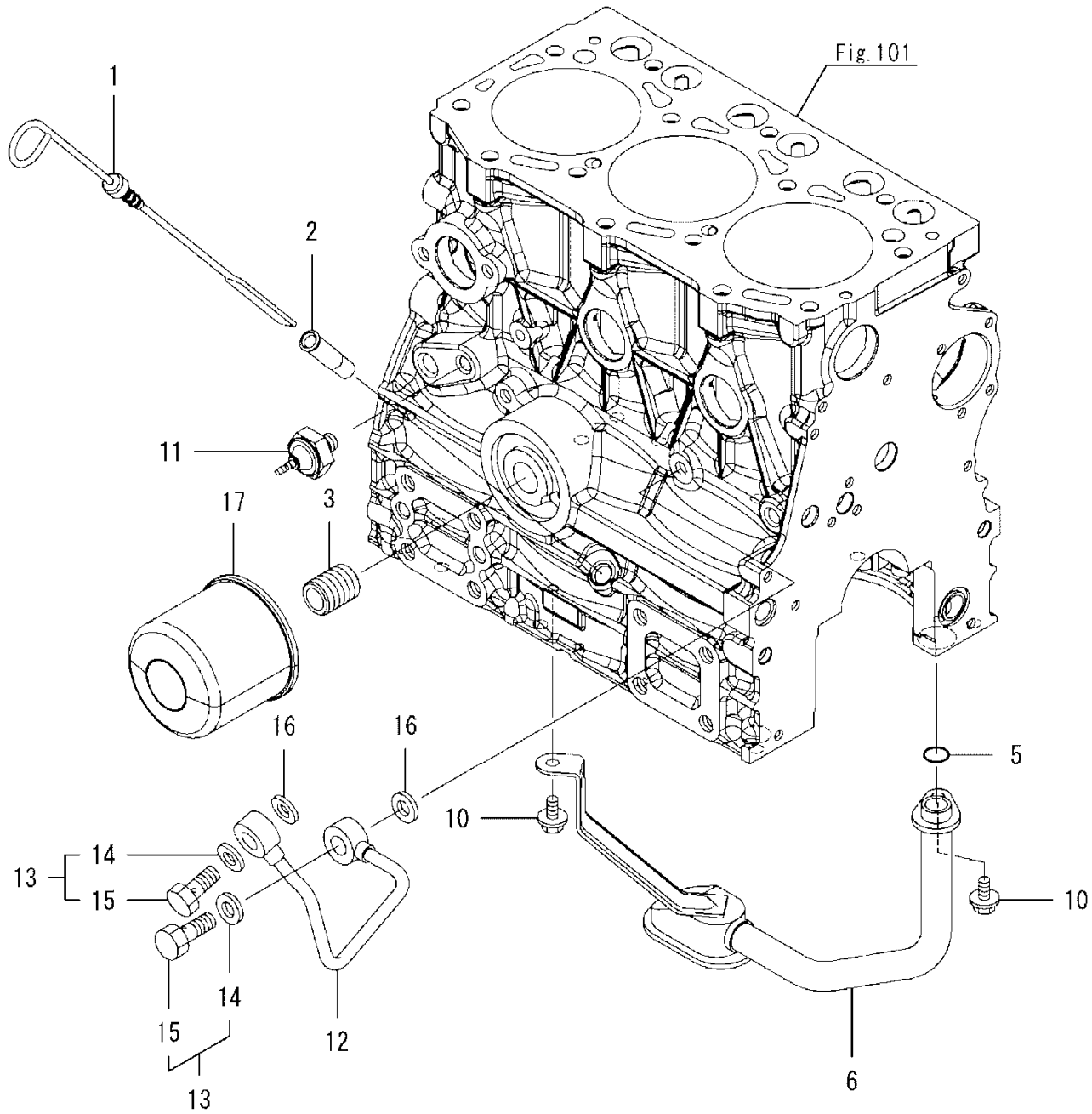


DAKO 25H



NOTE

FIG 108 DAKO 25H	LUB. OIL SYSTEM	P1	YEAR	
			2020	



NOTE

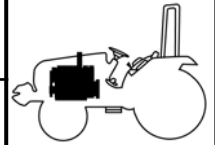
FIG 109

COOLING WATER SYSTEM

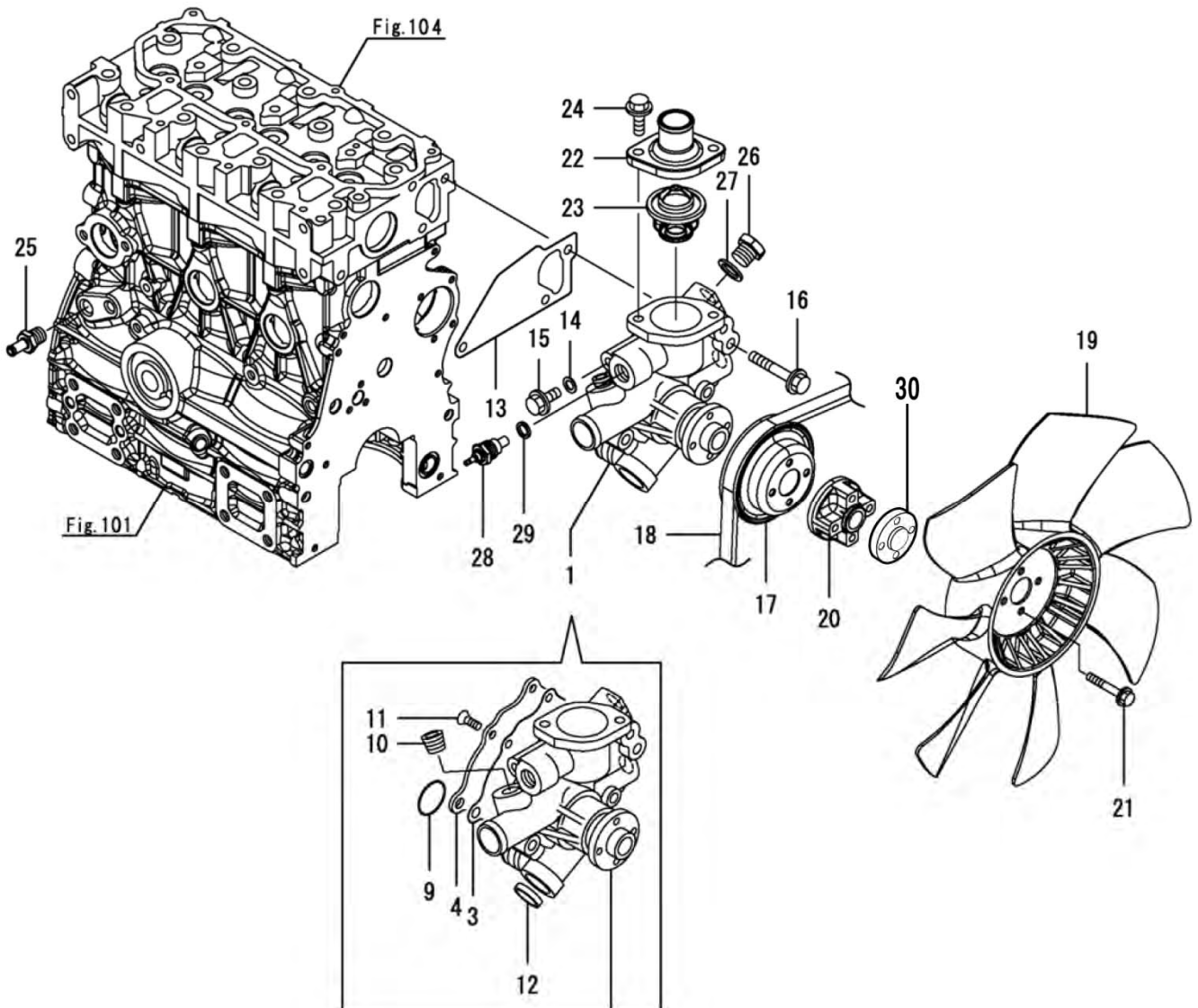
P1

YEAR

2020



DAKO 25H



NOTE

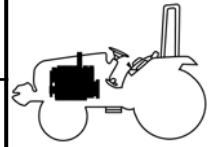
FIG 110

FUEL INJECTION PUMP

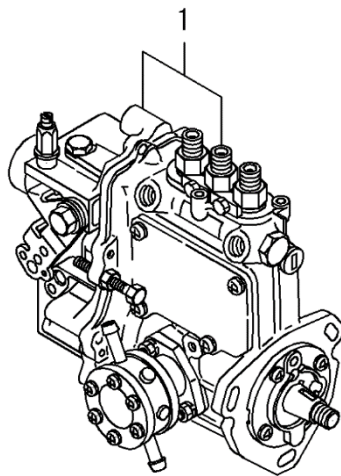
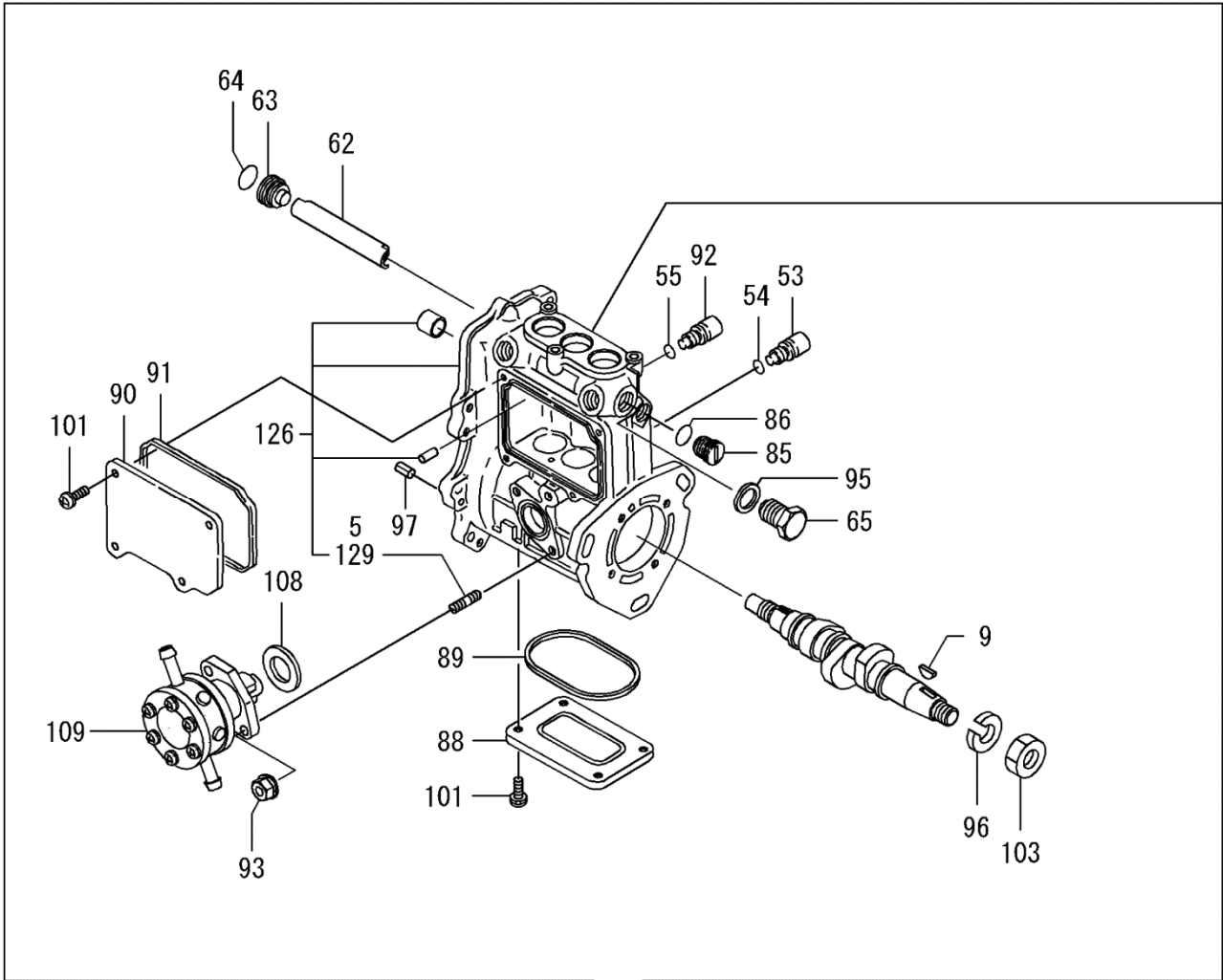
P1

YEAR

2020



DAKO 25H



NOTE

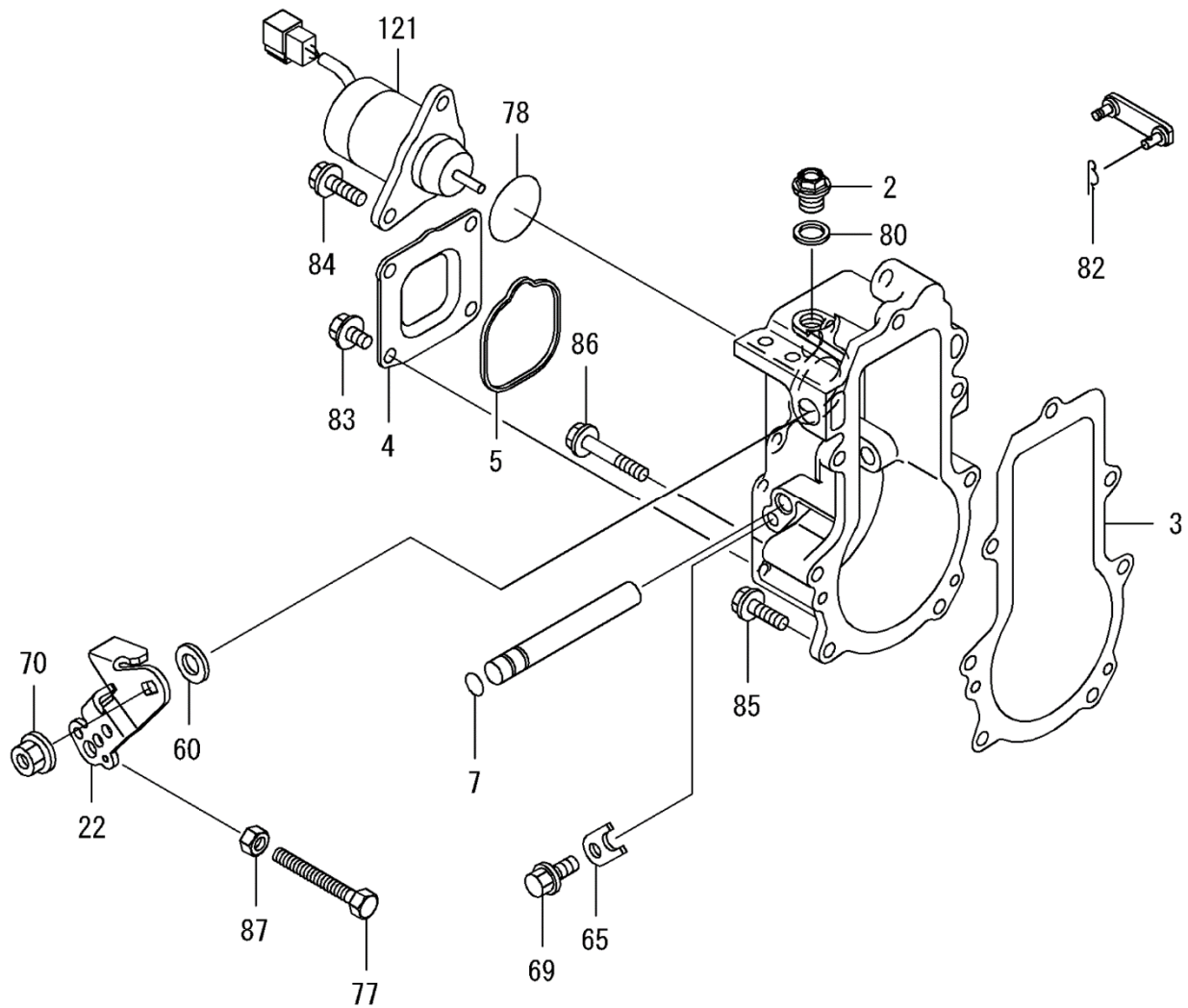
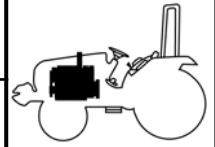
FIG 111

GOVERNOR


P1

YEAR

2020



NOTE

FIG 111		GOVERNOR				P1	YEAR	
DAKO 25H							2020	
KEY NO	PART NO.	DESCRIPTION	SPEC.	QTY.	REPAIR	EFFECTIVE DATE	REMARKS	
111 002	119717-51930	PLUG,M10		1				
111 003	119717-61050	GASKET		1				
111 004	119717-61060	COVER, GOVERNOR CASE		1				
111 005	119717-61070	GASKET		1				
111 007	129155-51280	O-RING, S6		1				
111 022	119515-61440	LEVER, CONTROL		1				
111 060	158552-61700	SHIM SET		1				
111 065	119660-61901	RETAINER, SHAFT		1				
111 069	26106-060102	BOLT, M6X10 PLATED		1				
111 070	26366-080002	NUT, M8		1				
111 077	129155-61460	BOLT, IDLE		1				
111 078	158552-61900	O-RING		1				
111 080	22190-100002	WASHER, SEAL 10		1				
111 082	22372-040000	PIN, SNAP 4		1				
111 083	26106-060102	BOLT, M6X10 PLATED		4				
111 084	26106-060142	BOLT, M6X14 PLATED		2				
111 085	26106-060202	BOLT, M6X20 PLATED		4				
111 086	26106-060452	BOLT, M6X45 PLATED		3				
111 087	26756-060002	NUT, LOCK M6		1				
111 121	119653-77950	SOLENOID, STOP		1		~2015.05.26		
111 121	119233-77932	SOLENOID, STOP		1		2015.05.27~		

NOTE * This figure(Governor) is incorporated in the Fuel Injection Pump(Fig.110).

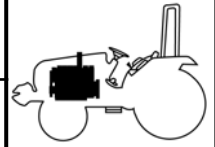
FIG 112

FUEL INJECTION VALVE

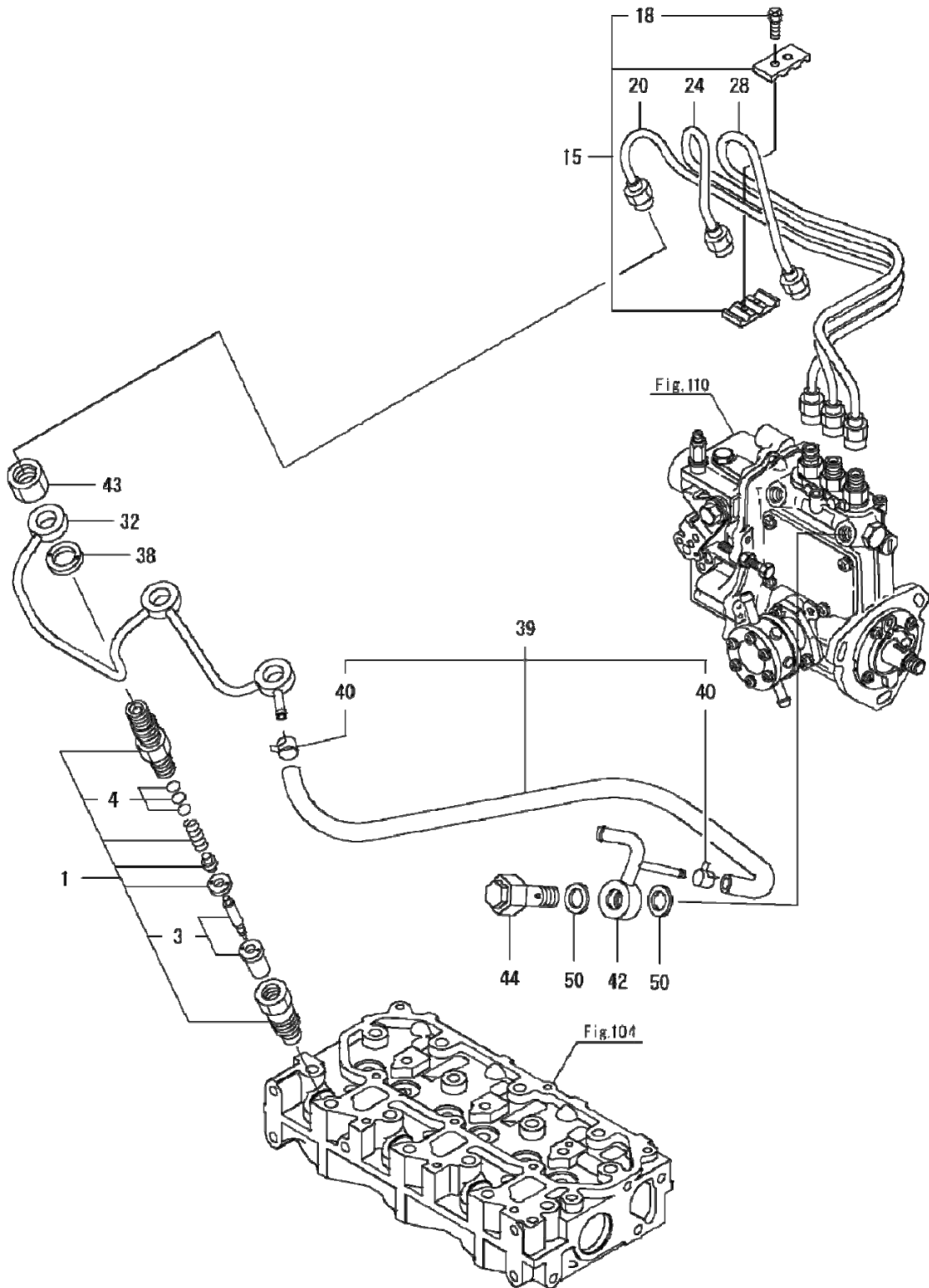
P1

YEAR

2020



DAKO 25H



NOTE

FIG 113

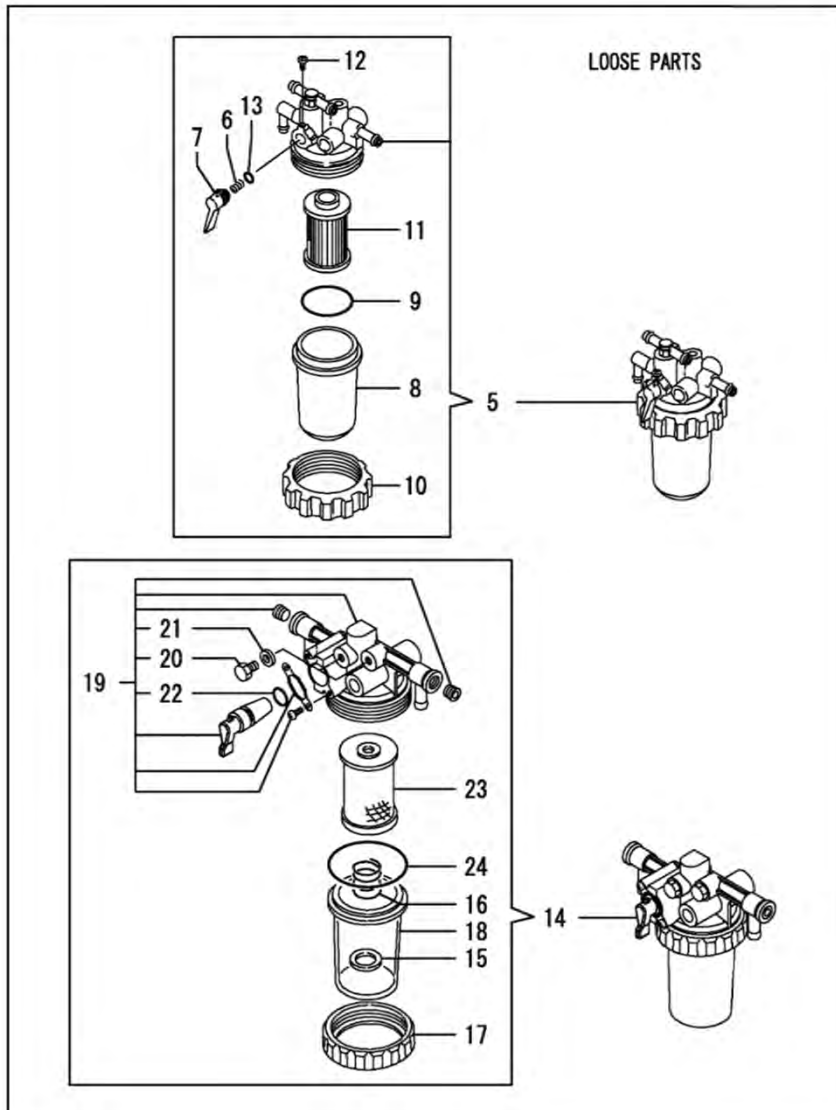
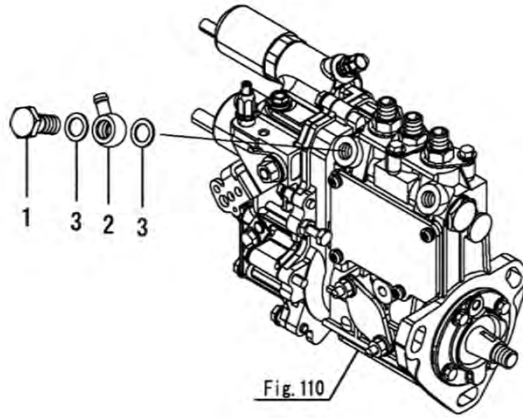
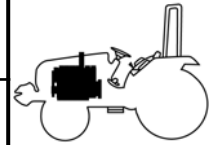
DAKO 25H

FUEL FILTER

P1

YEAR

2020



NOTE

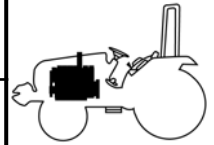
FIG 114

STARTING MOTOR

P1

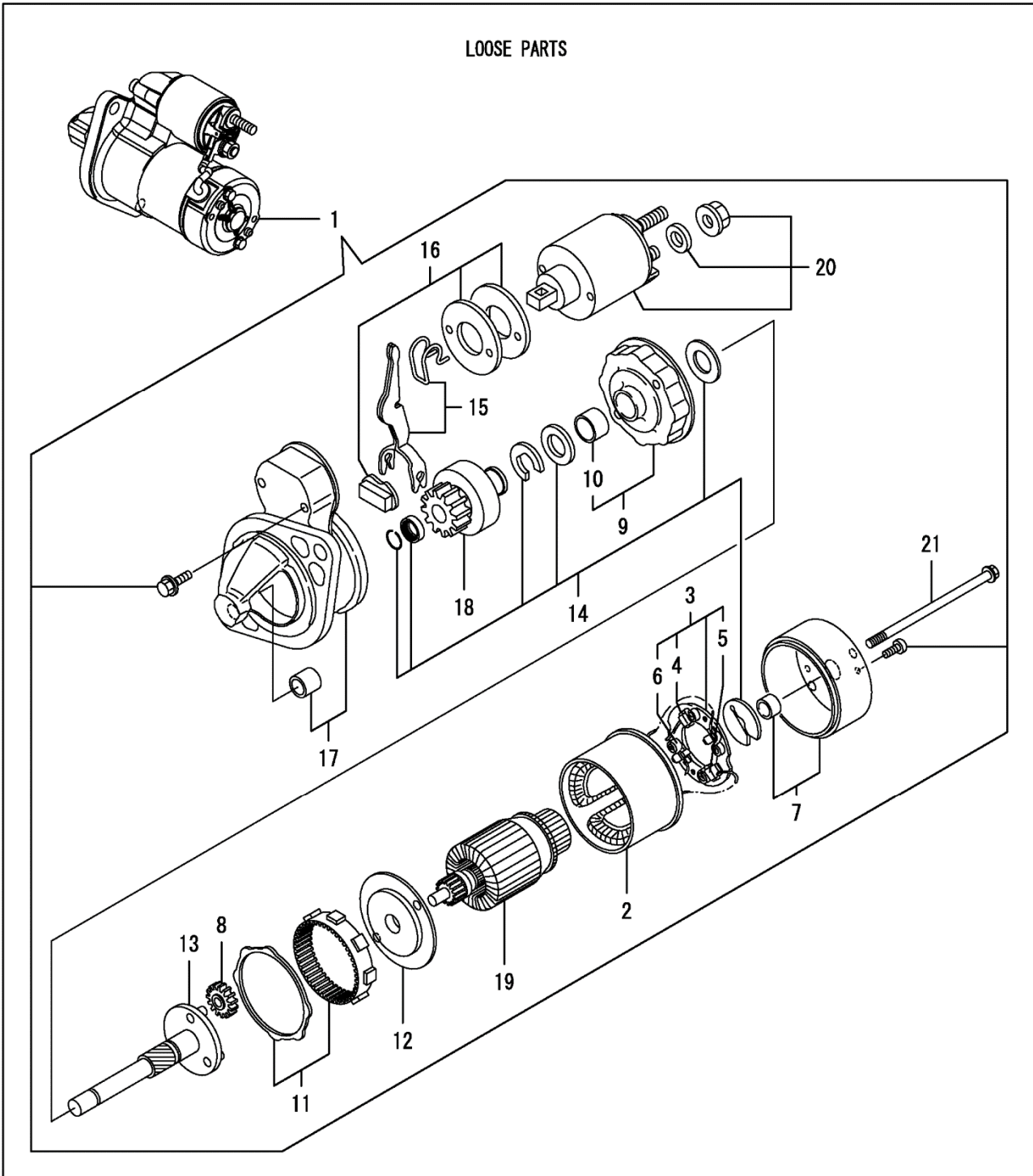
YEAR

2020



DAKO 25H

LOOSE PARTS



NOTE

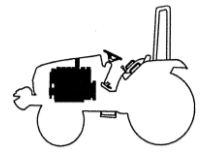
FIG 114

STARTING MOTOR

P1

YEAR

2020



DAKO 25H

KEY NO	PART NO.	DESCRIPTION	SPEC.	QTY.	REPAIR	EFFECTIVE DATE	REMARKS
114 001	119125-77010	STARTER		1			
114 002	129698-77110	YOKE ASSY		1			
114 003	129698-77120	HOLDER ASSY, BRUSH		1			
114 004	129698-77130	BRUSH		2			
114 005	129698-77140	BRUSH SET		1			
114 006	129698-77150	SPRING, BRUSH		4			
114 007	129698-77161	COVER ASSY		1			
114 008	119125-77170	GEAR		3			
114 009	129698-77180	BRACKET		1			
114 010	129698-77190	BRACKET		1			
114 011	119125-77200	GEAR, INTERNAL		1			
114 012	119125-77210	BRACKET		1			
114 013	119125-77230	SHAFT, PINION		1			
114 014	129698-77250	WASHER SET		1			
114 015	119125-77270	LEVER SET, SHIFT		1			
114 016	119125-77280	COVER ASSY		1			
114 017	119125-77520	CASE ASSY, GEAR		1			
114 018	119125-77660	PINION ASSY		1			
114 019	119125-77710	ARMATURE ASSY		1			
114 020	119125-77760	SWITCH ASSY		1			
114 021	124195-77770	BOLT, THROUGH		2			

NOTE

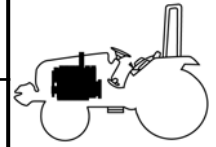
FIG 115

GENERATOR

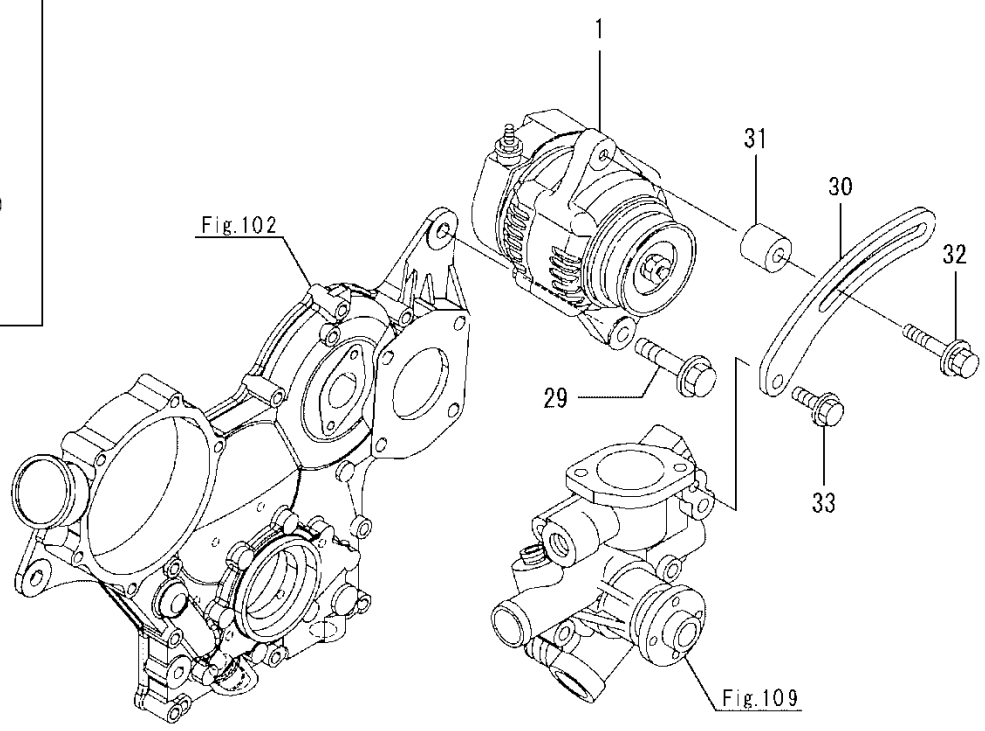
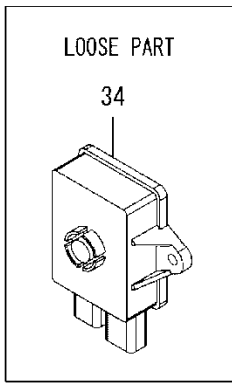
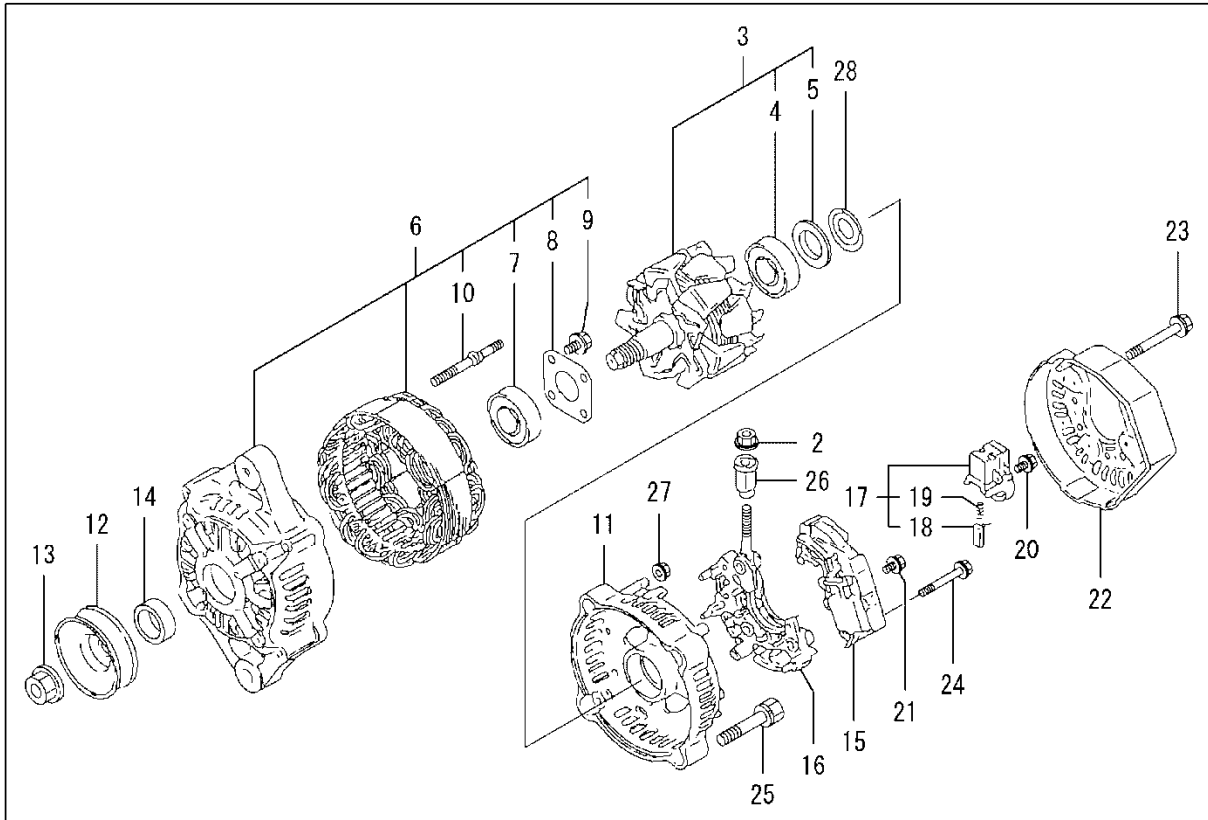
P1

YEAR

2020



DAKO 25H



NOTE

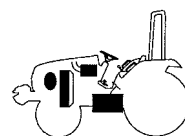
FIG 201

AIR CLEANER

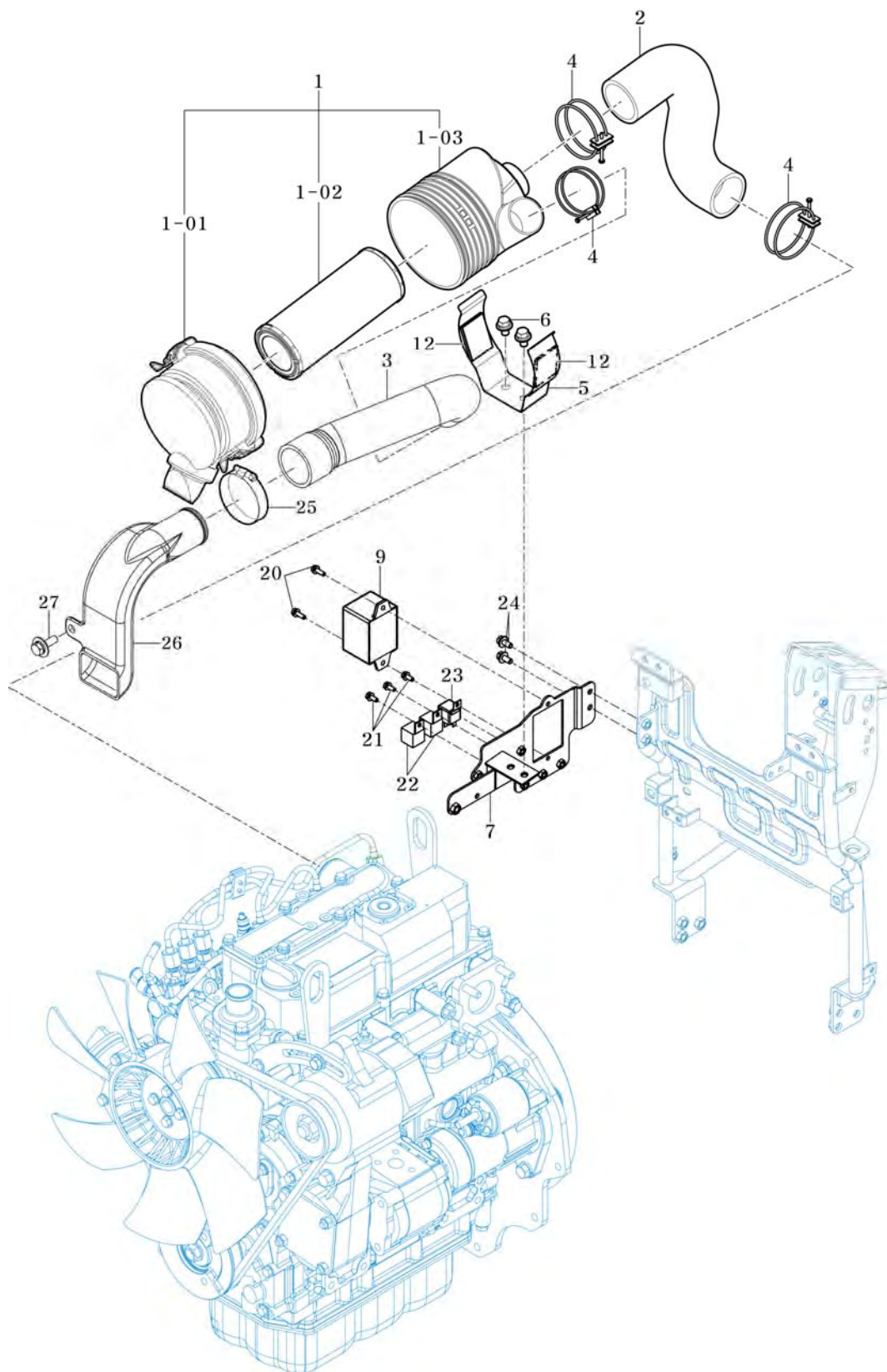
P1

YEAR

2020



DAKO 25H



T251-E-201

NOTE

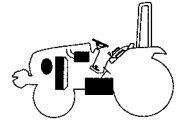
FIG 202

RADIATOR

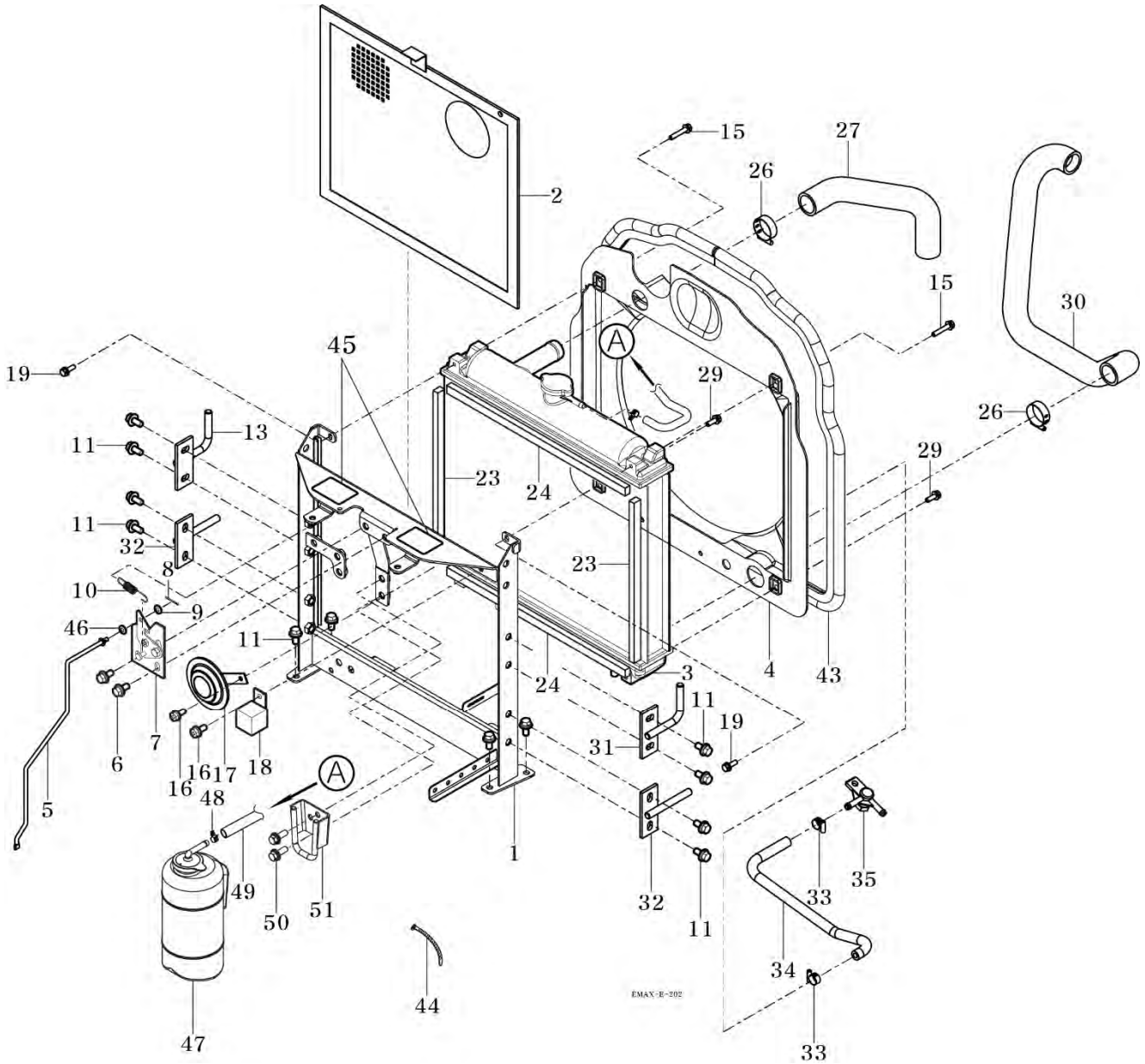
P1

YEAR

2020



DAKO 25H



NOTE

FIG 203

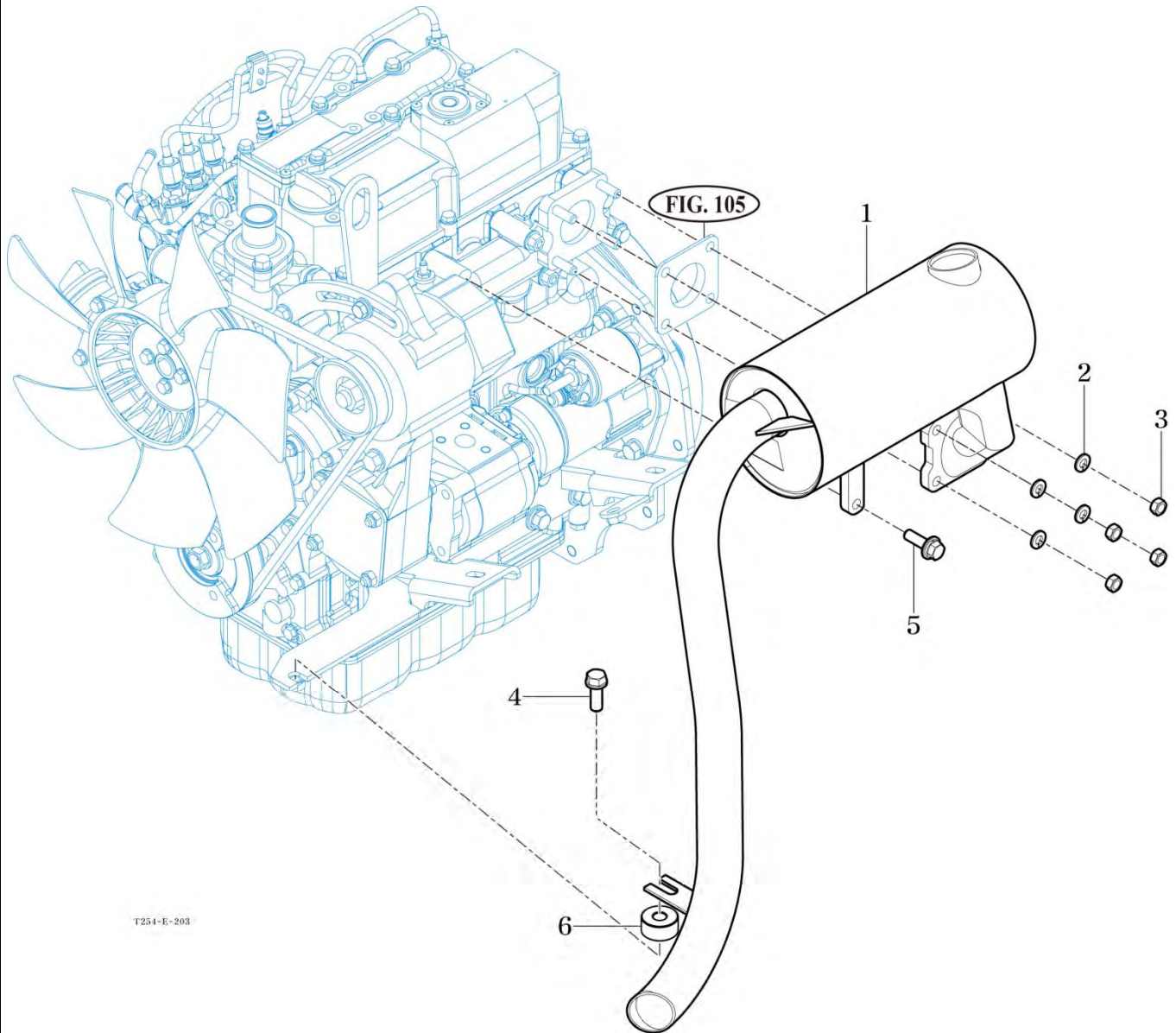
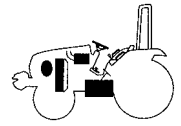
DAKO 25H

MUFFLER

P1

YEAR

2020



T254-E-203

NOTE

FIG 204

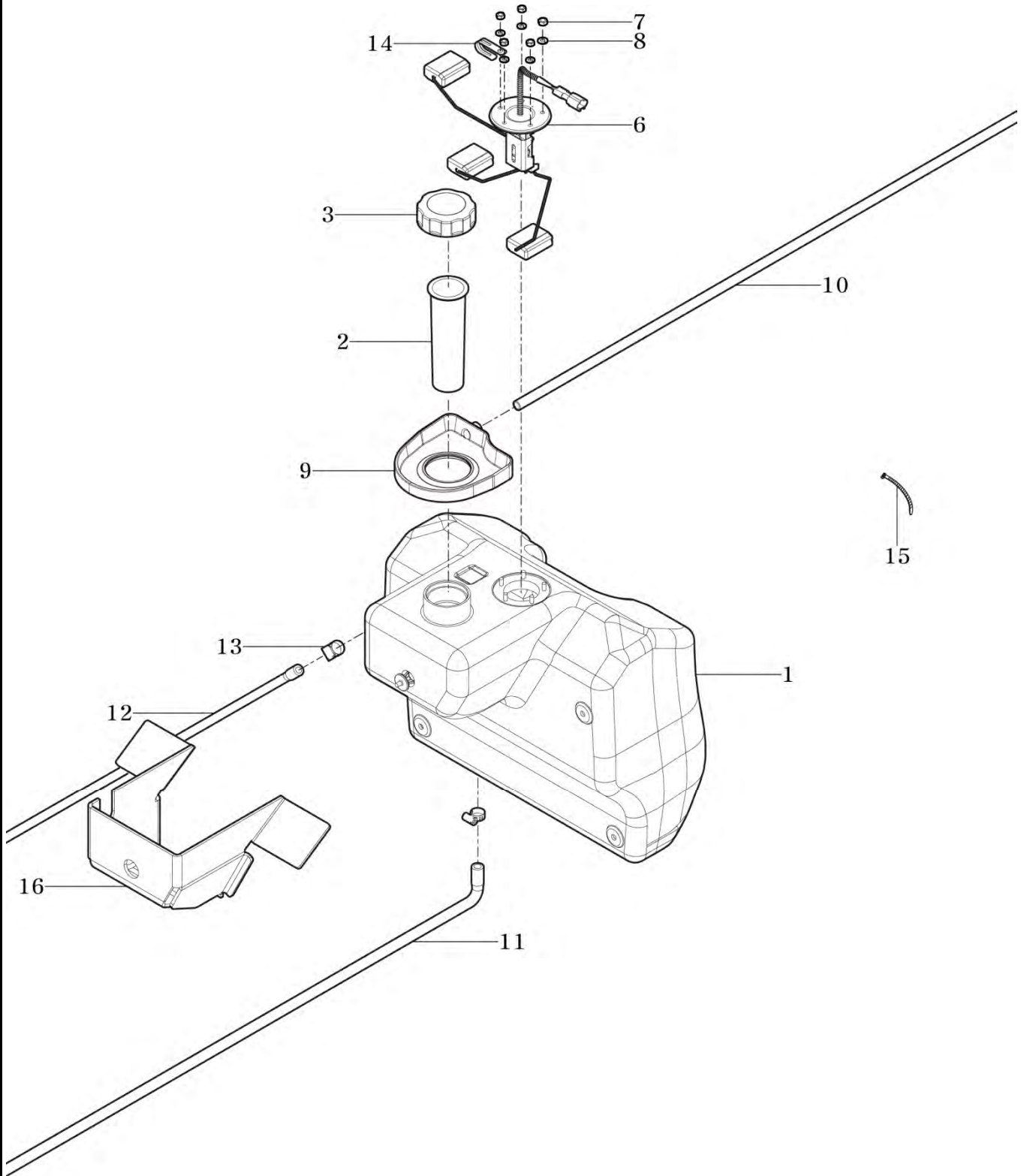
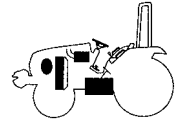
DAKO 25H

FUEL TANK & FUEL LINE

P1

YEAR

2020



NOTE

FIG 205

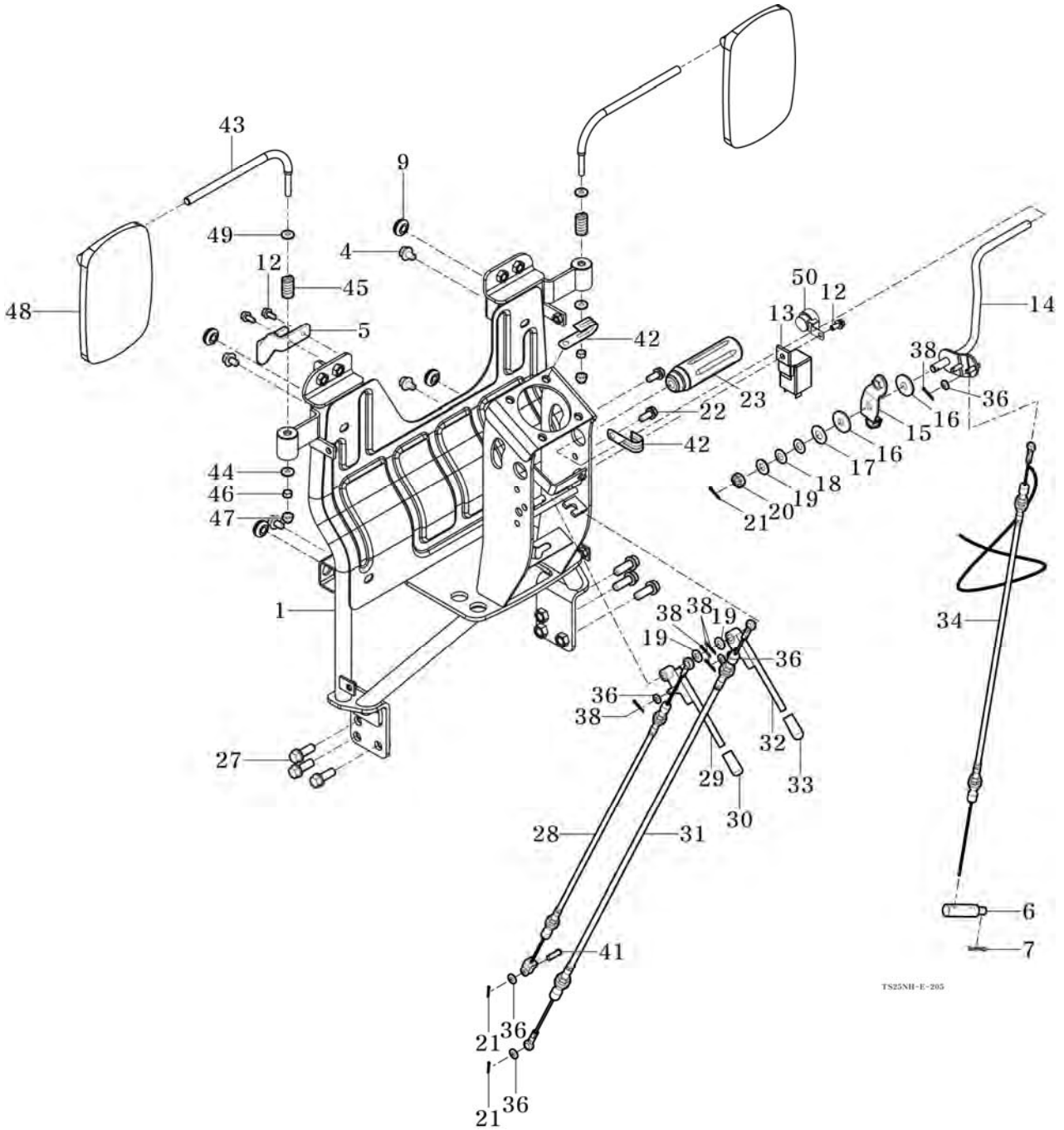
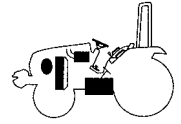
DAKO 25H

ACCELERATOR

P1

YEAR

2020



TS25NH-E-205

NOTE

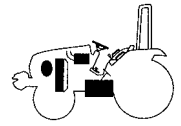
FIG 206

FUEL FILTER

P1

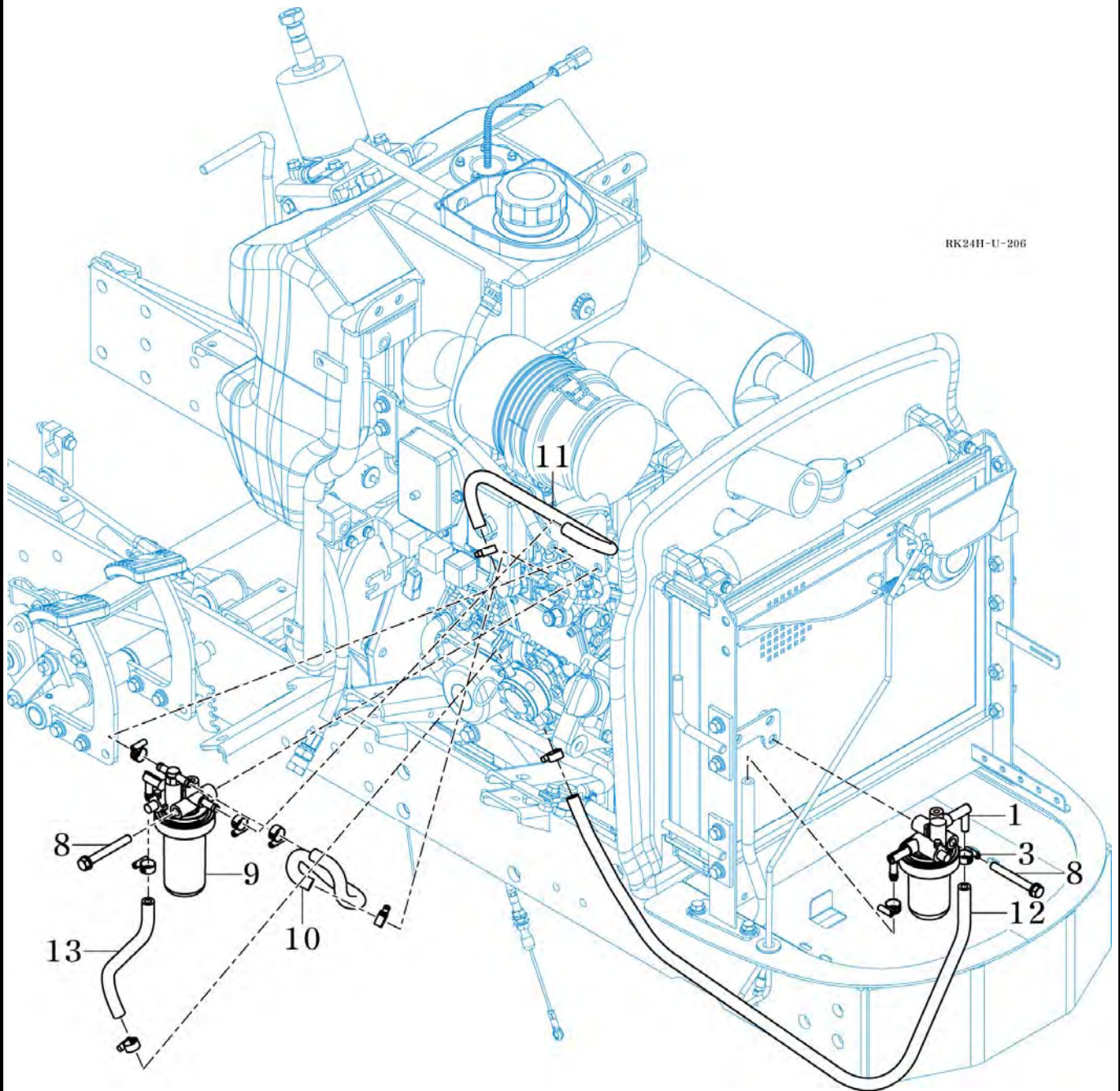
YEAR

2020



DAKO 25H

RK24H-U-206



NOTE

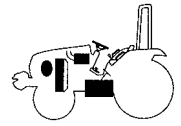
FIG 207

ENGINE MOUNTING

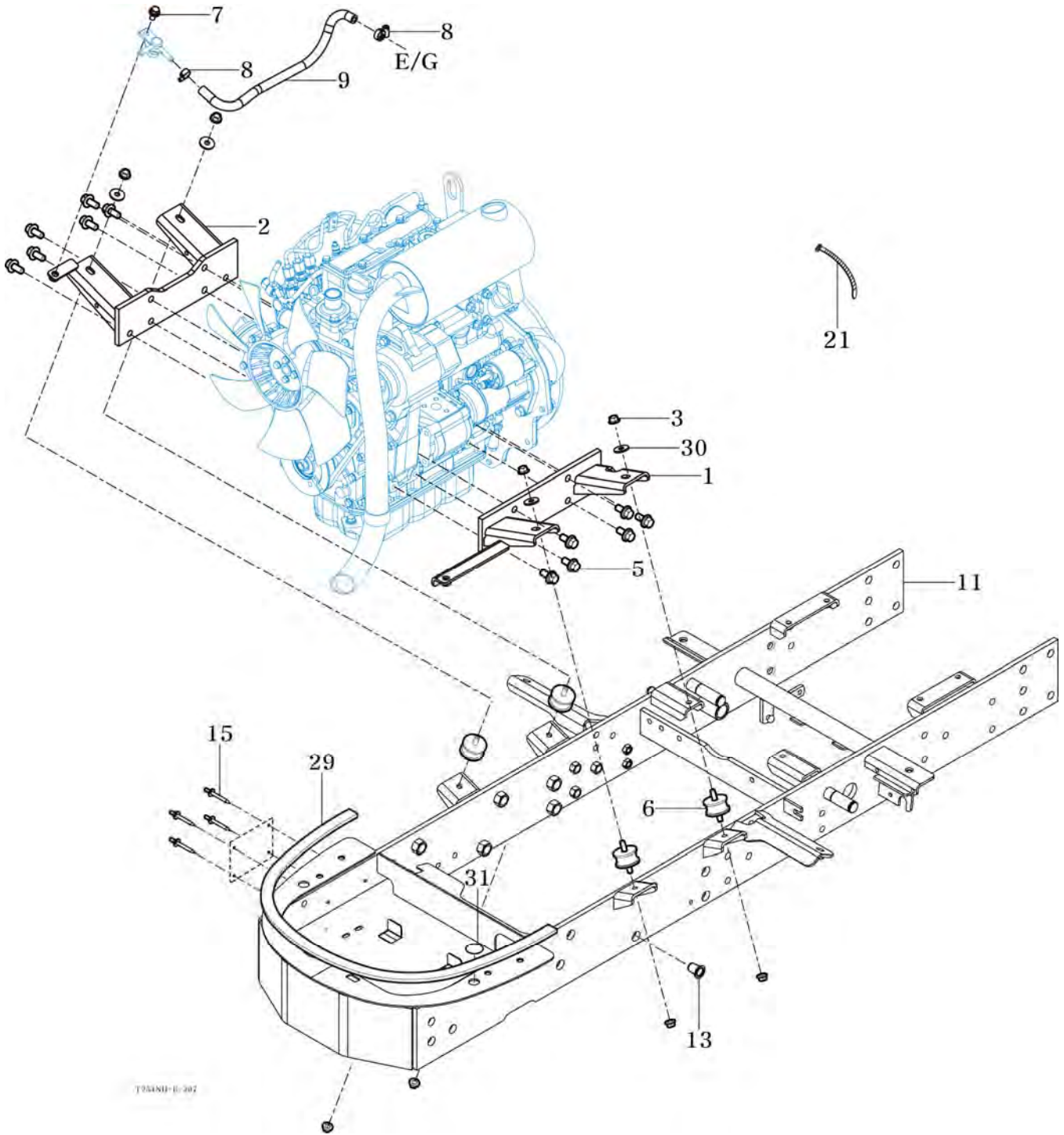
P1

YEAR

2020



DAKO 25H



TOSAKI-E-207

NOTE

FIG 301

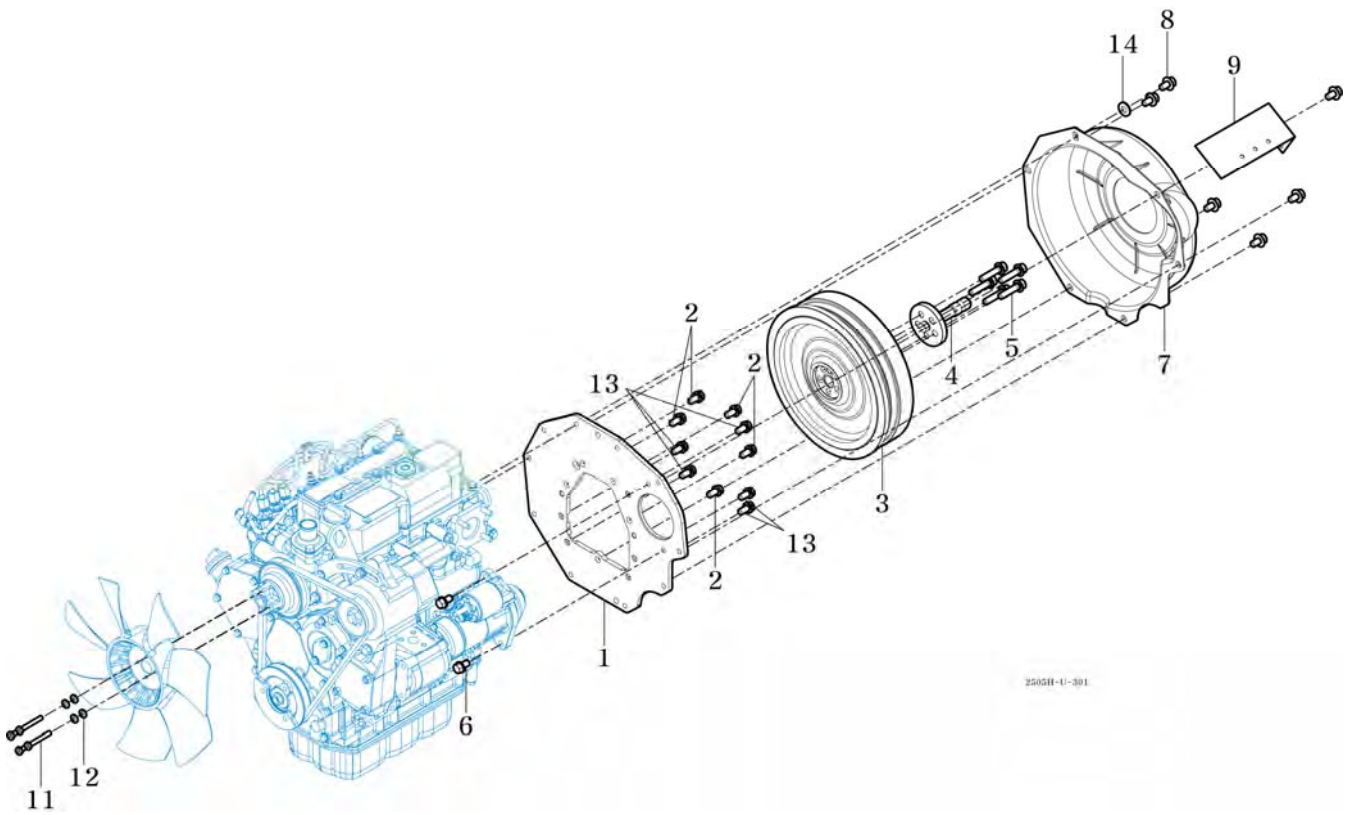
DAKO 25H

FLYWHEEL COVER

P1

YEAR

2020



NOTE

FIG 302

BRAKE

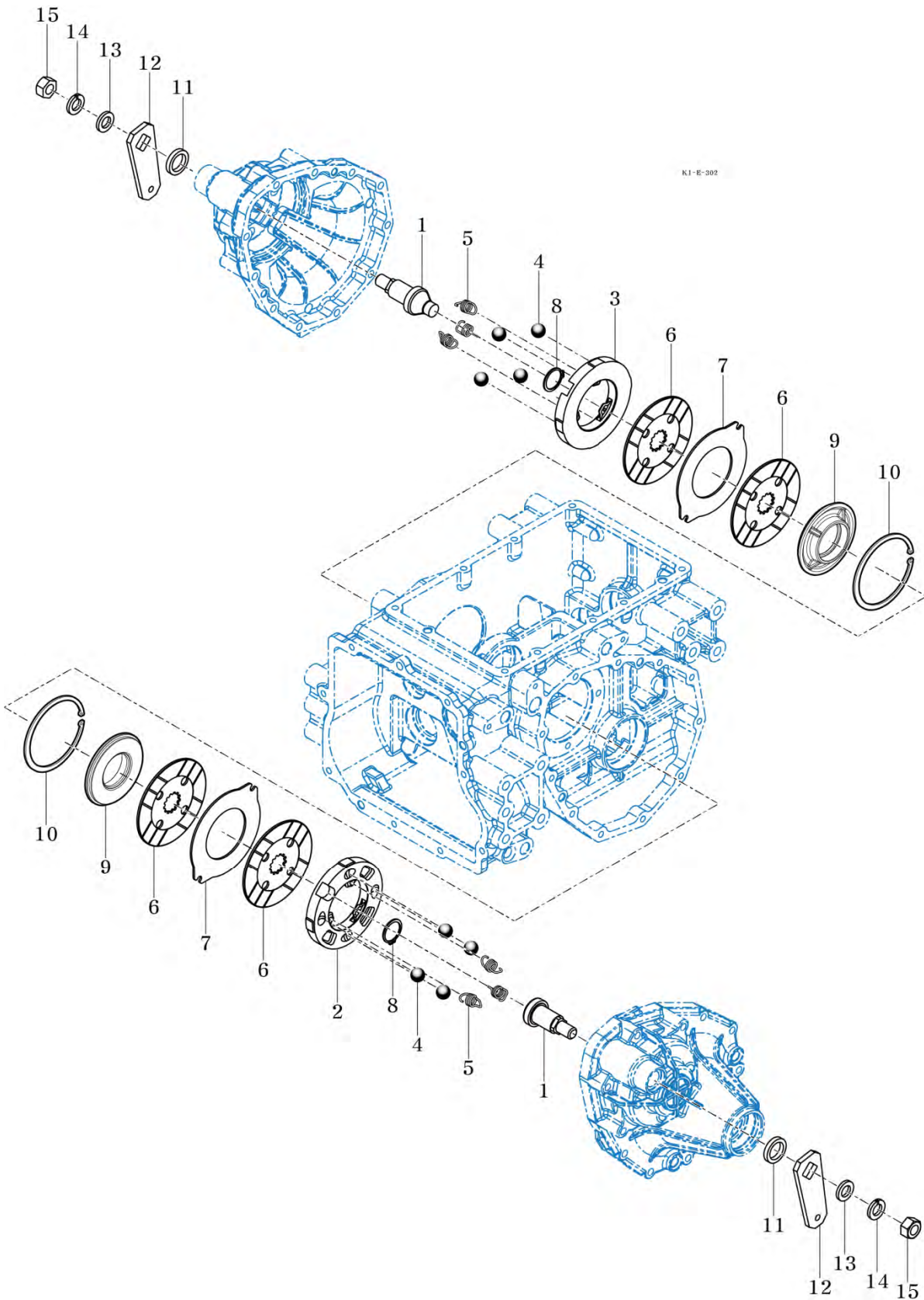
P1

YEAR

2020



DAKO 25H



NOTE

FIG 303

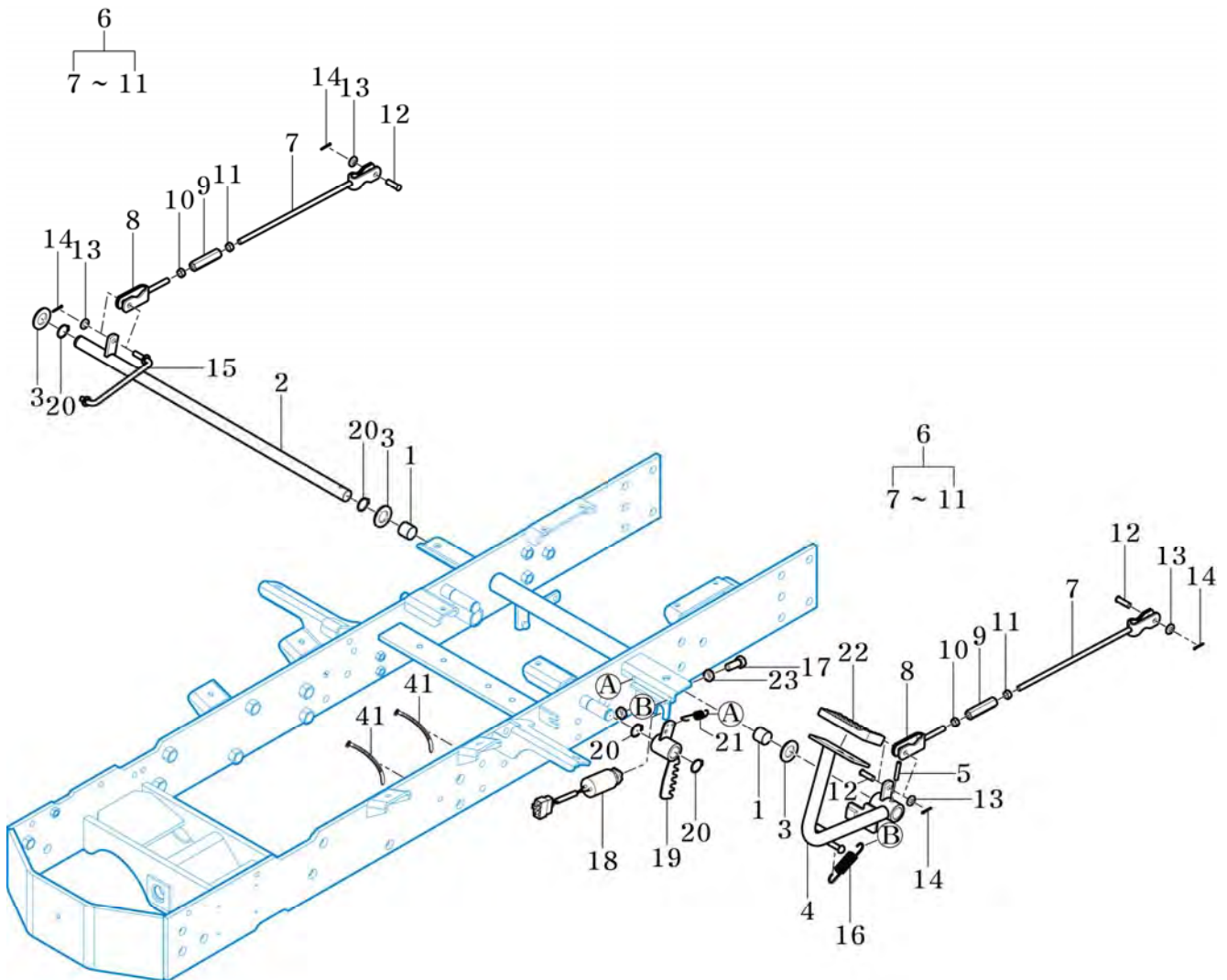
BRAKE PEDAL & LINKAGE

DAKO 25H

P1

YEAR

2020



EMAX25NH22NH-E-304

NOTE

FIG 304

SPEED CONTROL

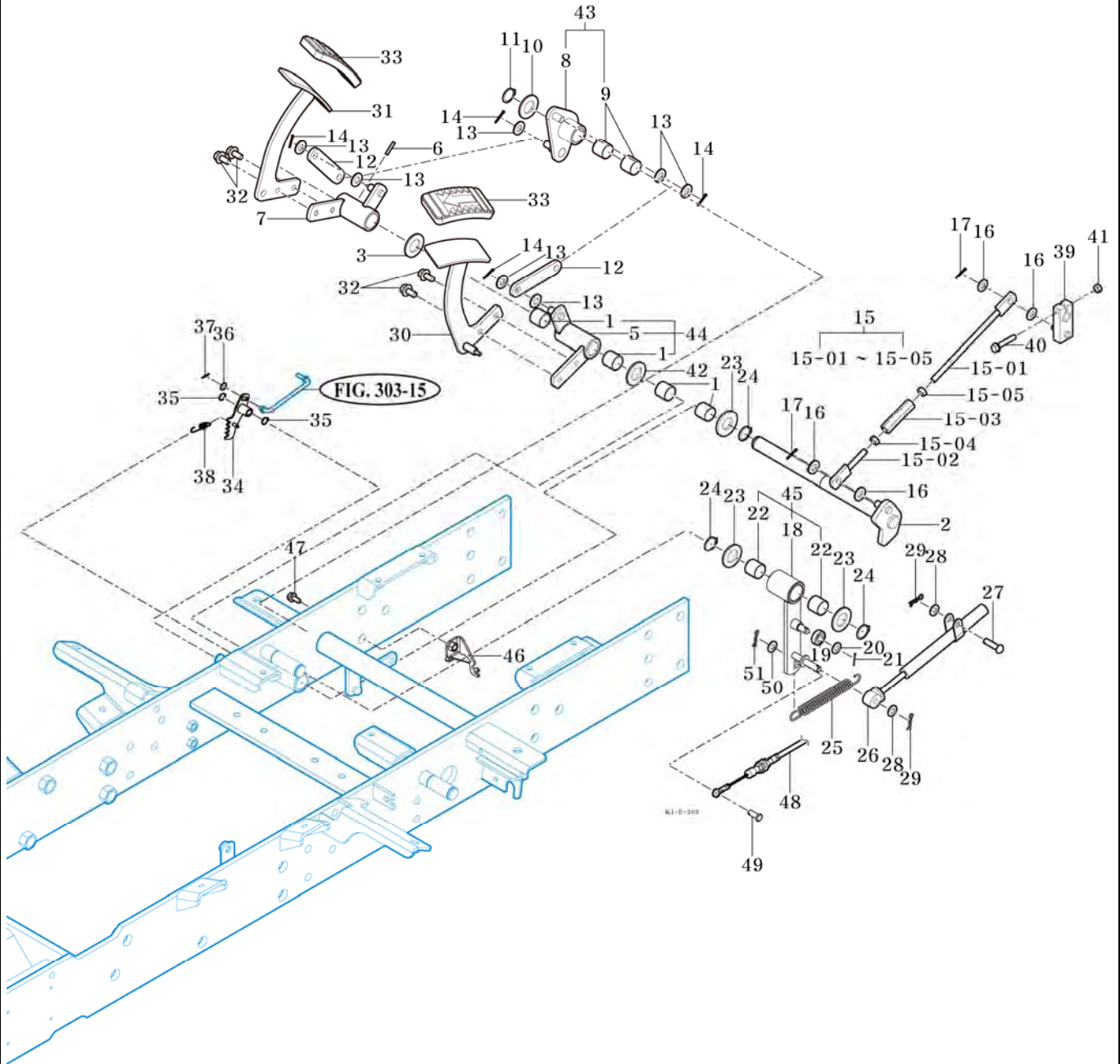
P1

YEAR

2020



DAKO 25H



NOTE


FIG 304		SPEED CONTROL				P1	YEAR	
DAKO 25H							2020	
KEY NO	PART NO.	DESCRIPSTION	SPEC.	QTY.	REPAIR	EFFECTIVE DATE	REMARKS	
304 001	11102320030	BUSH , 20X23X20		4	C			
304 002	11102323102	SHAFT COMP , PEDAL		1				
304 003	V4111600200	WASHER , PLAIN	M20	1				
304 005	11102323201	ARM COMP , FORWARD		1				
304 006	V5801406032	PIN , SPRING		1	C			
304 007	11102323301	ARM COMP , REVERSE		1				
304 008	11102323401	ARM COMP , CONNECT		1				
304 009	11102320030	BUSH , 20X23X20		2	C			
304 010	V4111600200	WASHER , PLAIN	M20	1				
304 011	V7041400200	C-RING , SHAFT	20	1				
304 012	11102320010	LINK		2				
304 013	V4111600100	WASHER , PLAIN	M10	7				
304 014	V5001920015	PIN , SPLIT	2.0X15	4				
304 015	11102325001	ROD ASSY , CONTROL		1				
304 01501	11102325101	ROD COMP , LH		1				
304 01502	11102325201	ROD COMP , RH		1				
304 01503	16601220020	TURNBUCKLE , M8 L60		1				
304 01504	V3042600080	NUT , HEX/2	M8	1				
304 01505	15601320073	NUT , HEX LH	M8/LH	1				
304 016	V4111600100	WASHER , PLAIN	M10	4				
304 017	V5001920015	PIN , SPLIT	2.0X15	2				
304 018	11102324101	ARM COMP , CAM		1				
304 019	14722310060	BEARING , BALL	608DD	1				
304 020	V4111600080	WASHER , PLAIN		1				
304 021	V5001920015	PIN , SPLIT	2.0X15	1				
304 022	11102320030	BUSH , 20X23X20		2	C			
304 023	V4111600200	WASHER , PLAIN	M20	3				
304 024	V7041400200	C-RING , SHAFT	20	3				
304 025	14722310033	SPRING , RETURN		1				
304 026	11102321000	DAMPER , OIL 110		1				
304 027	14043120060	PIN , YOKE		1				
304 028	V4111600080	WASHER , PLAIN		2				
304 029	V5601600008	PIN , SNAP		2				
304 030	11102322400GB	PEDAL COMP , FORWARD		1				
304 031	11102322500GB	PEDAL COMP , REVERSE		1				
304 032	V2183608020	BOLT , HEX/SP	M8X20	4				
304 033	14722312730	PAD		2				
304 034	11102326201	RATCHET COMP , CRUISE		1				
304 035	V7041400150	C-RING , SHAFT		2				
304 036	V4111600080	WASHER , PLAIN		1				
304 037	V5001920015	PIN , SPLIT	2.0X15	1				
304 038	11102320020	SPRING , 66		1				
304 039	11102322100	HOLDER COMP		1				
304 040	V2173608045	BOLT , HEX/S	M8X45	1				
304 041	V3042600080	NUT , HEX/S	M8	1				
304 042	11102320040	WASHER , 32X21X5		1				
304 043	11102321200	ARM ASSY , CONNECT		1				
304 044	11102321100	ARM ASSY , FORWARD		1				
304 045	10512321300	ARM ASSY , CAM		1				
		- NEXT -						
NOTE								

FIG 304

SPEED CONTROL

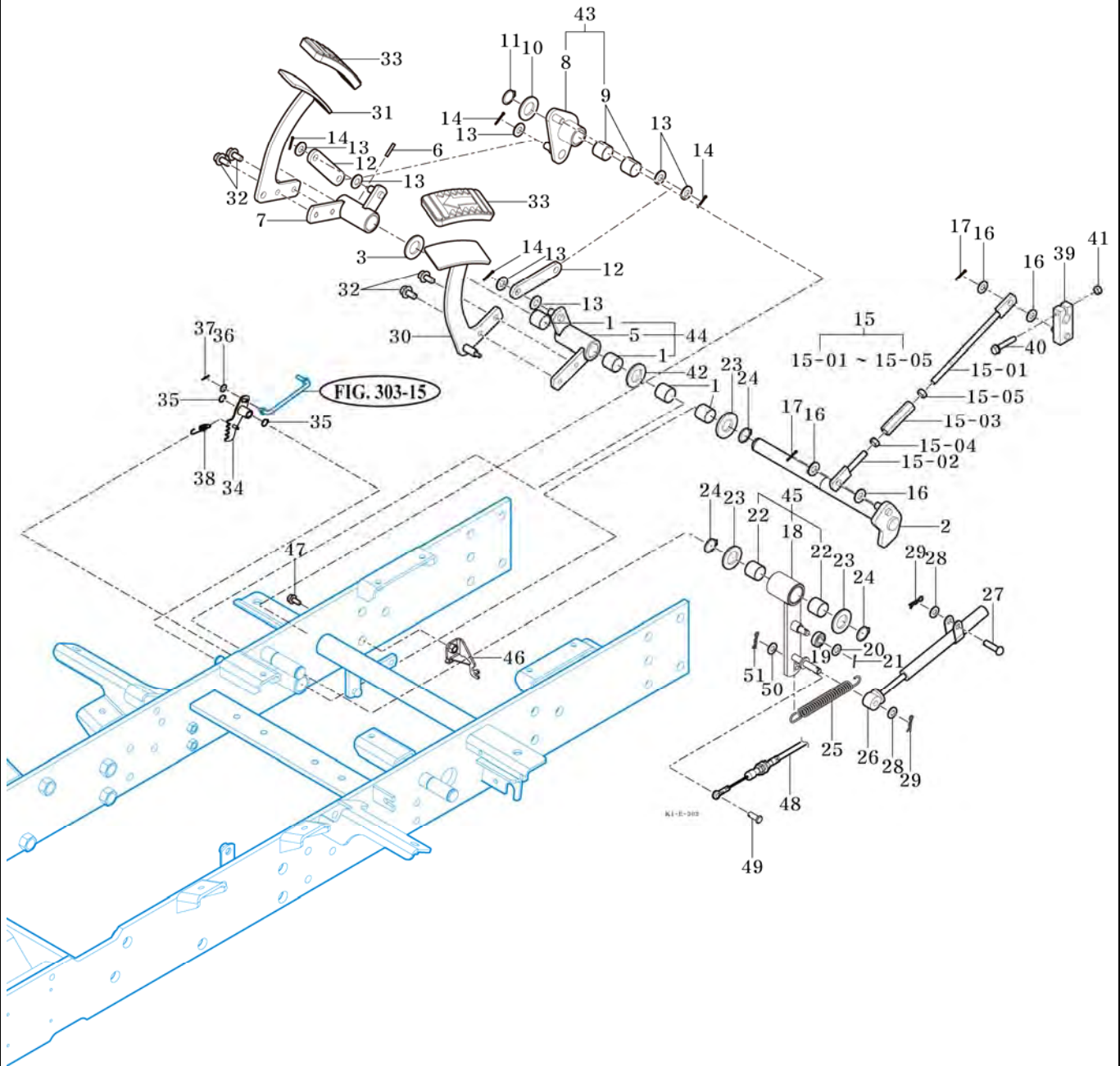
P2

YEAR

2020



DAKO 25H



NOTE

FIG 305

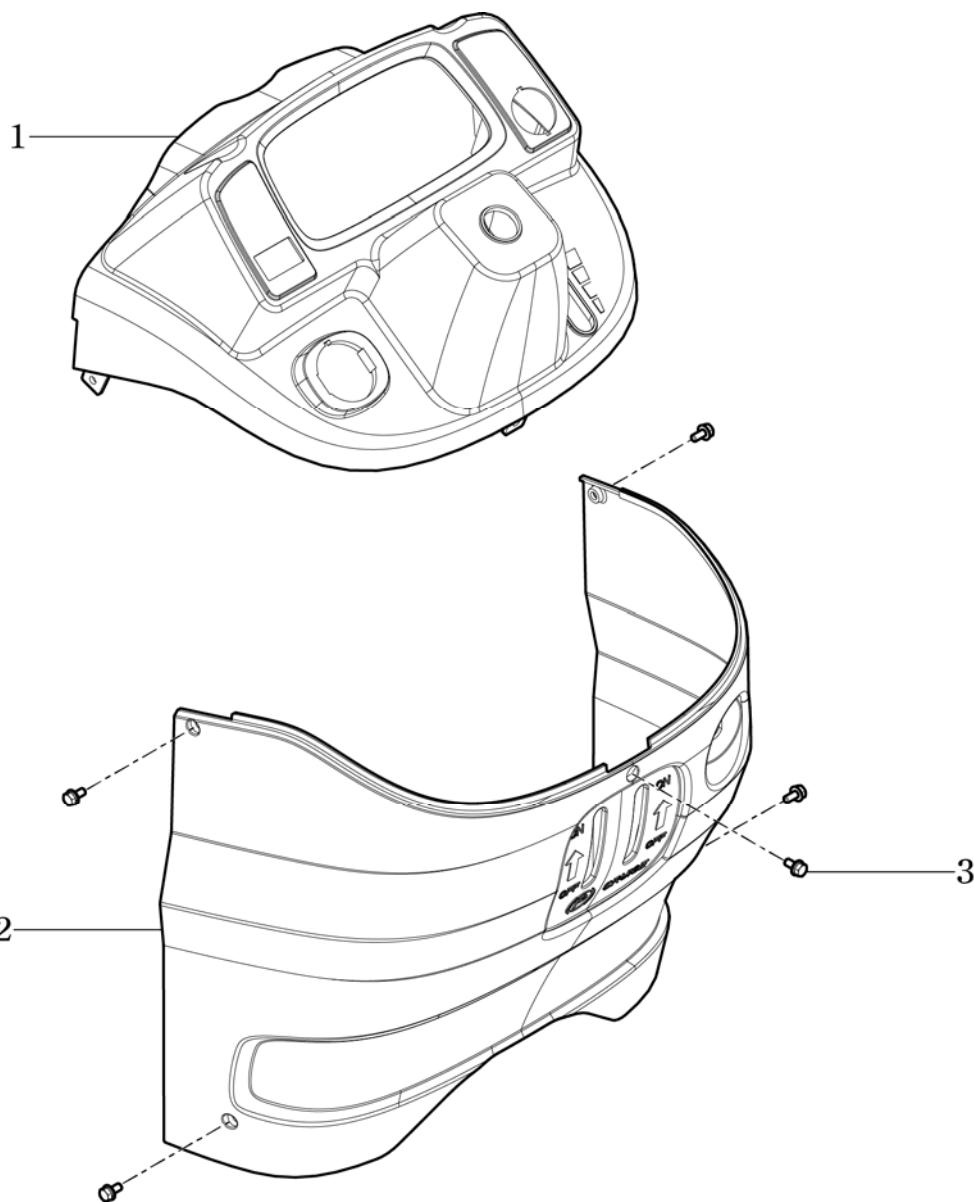
DAKO 25H

DASH COVER

P1

YEAR

2020



NOTE

FIG 306

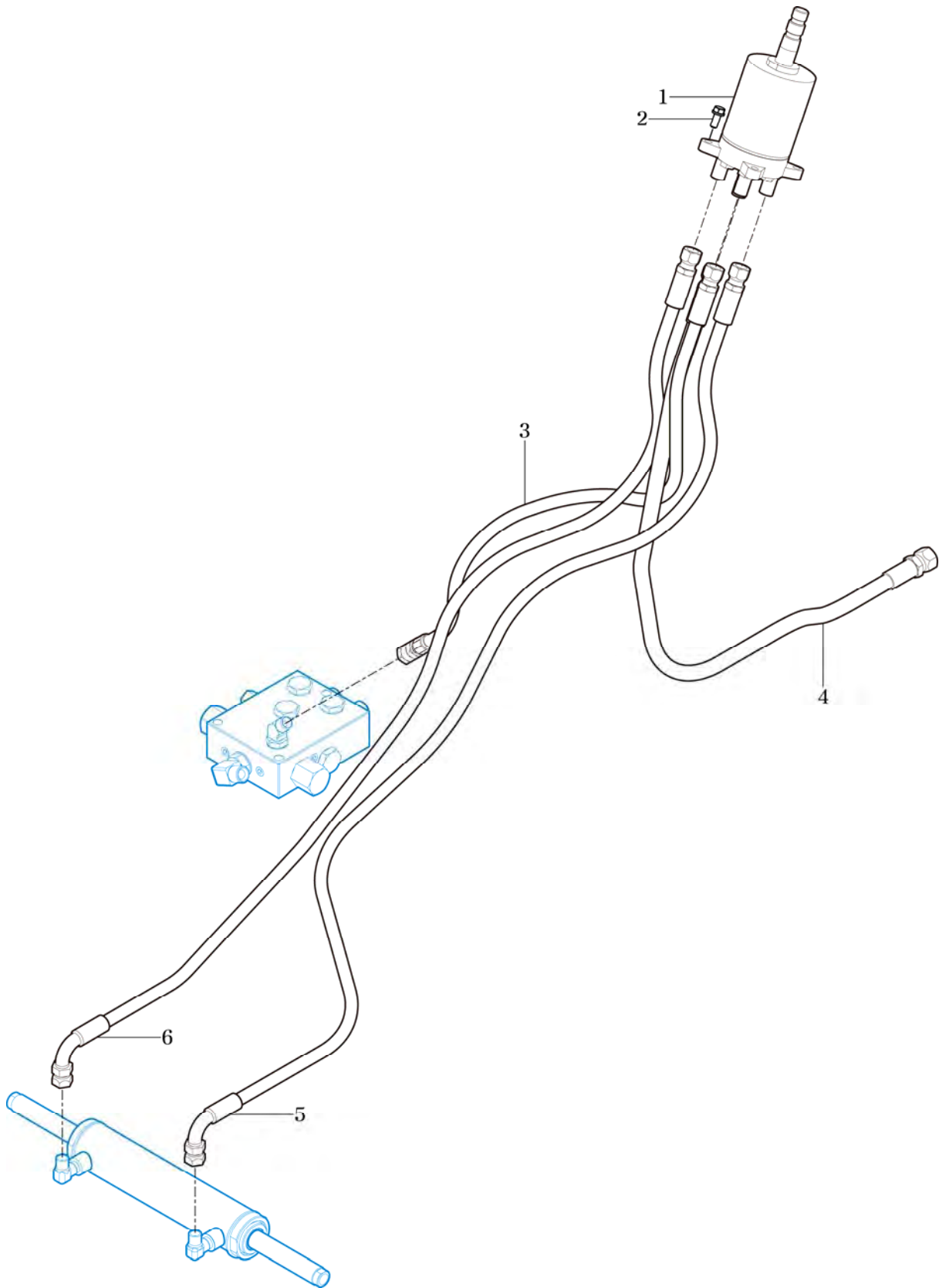
DAKO 25H

STEERING VALVE

P1

YEAR

2020



NOTE

FIG 307

STEERING CYLINDER

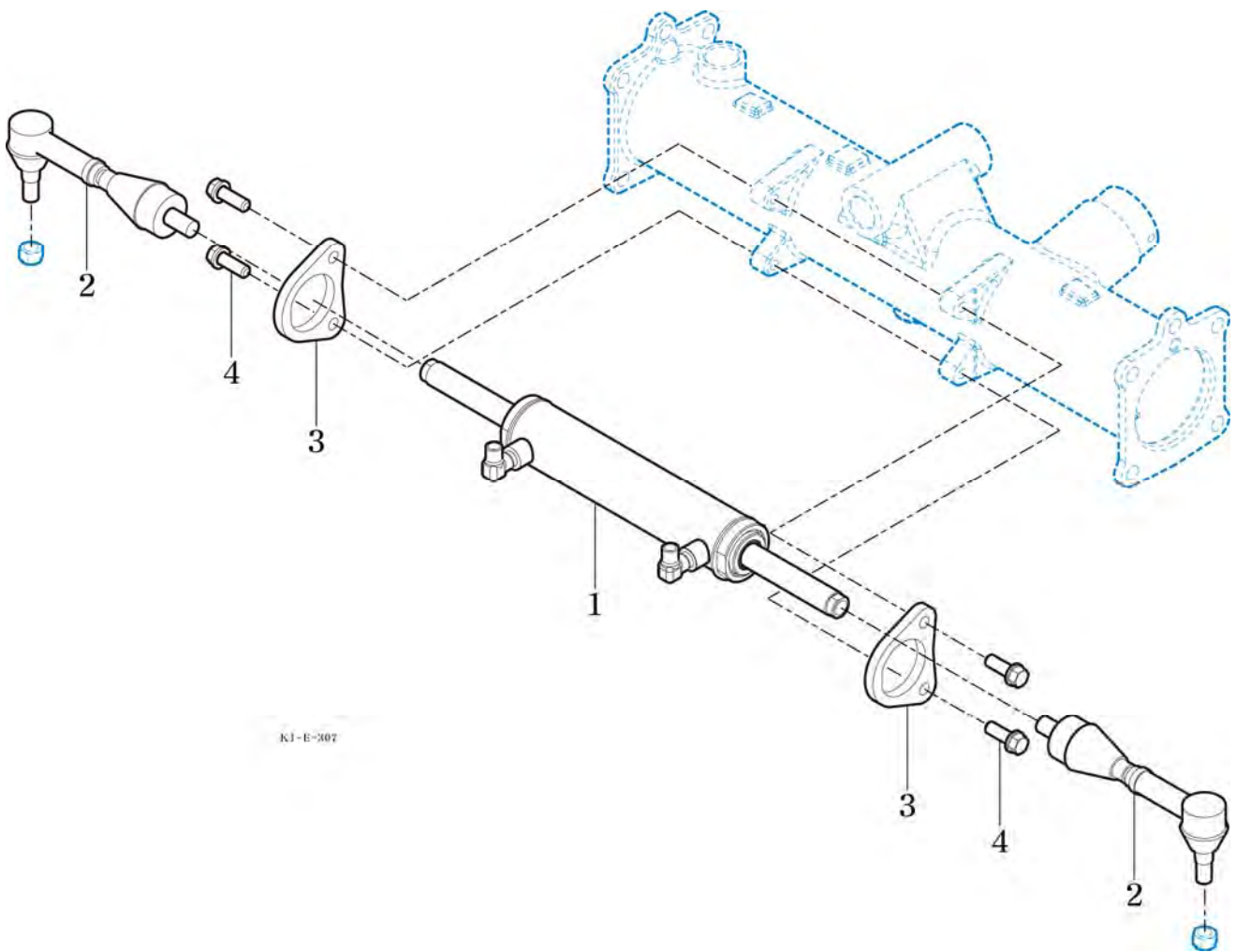
P1

YEAR

2020



DAKO 25H



KJ-E-307

NOTE

FIG 308

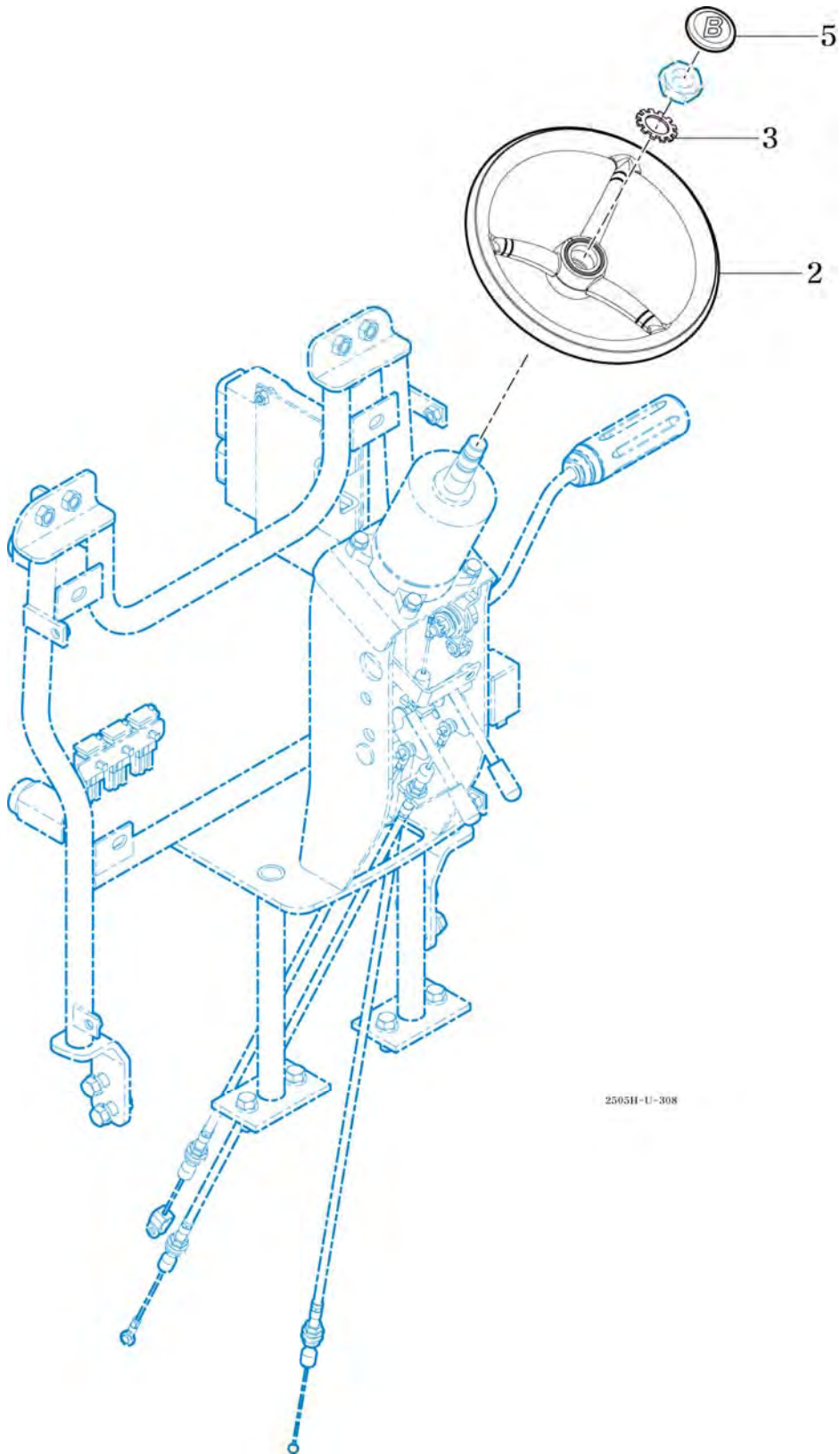
Dako 25H

STEERING WHEEL

P1

YEAR

2020



2505H-U-308

NOTE

FIG 308		STEERING WHEEL			P1	YEAR	
						2020	
Dako 25H							
<i>KEY NO.</i>	<i>PART NO.</i>	<i>DESCRIPTION</i>	<i>SPEC.</i>	<i>QTY.</i>	<i>REPAIR</i>	<i>EFFECTIVE DATE</i>	<i>REMARKS</i>
308 002	13834012100	STEERING WHEEL		1			
308 003	13834012200	WASHER , TOOTH-LOCK/OUT		1			
308 005	11684012300	CAP(Branson) , STEERING WHEEL		1			
NOTE							

FIG 309

Dako 25H

WHEEL

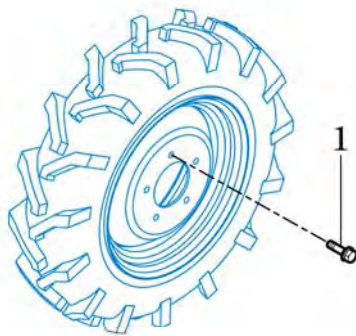
P1

YEAR

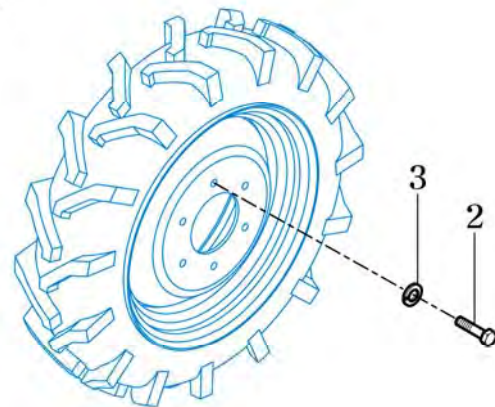
2020



FRONT



REAR



EMAX25NH22NH-E-309

NOTE

FIG 401

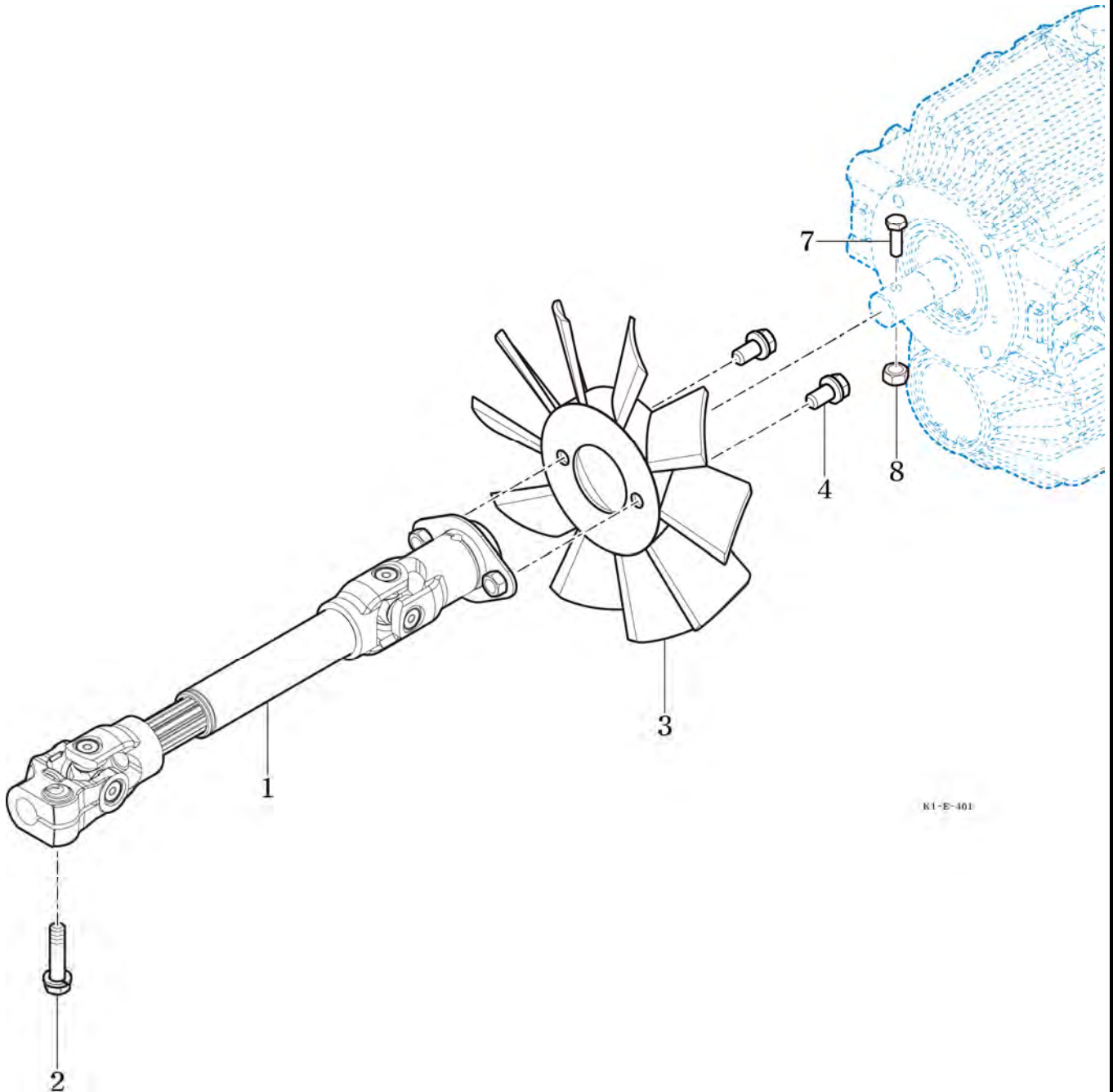
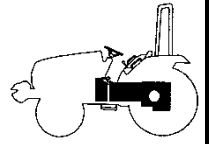
Dako 25H

INPUT SHAFT

P1

YEAR

2020



K1-E-401

NOTE

FIG 402

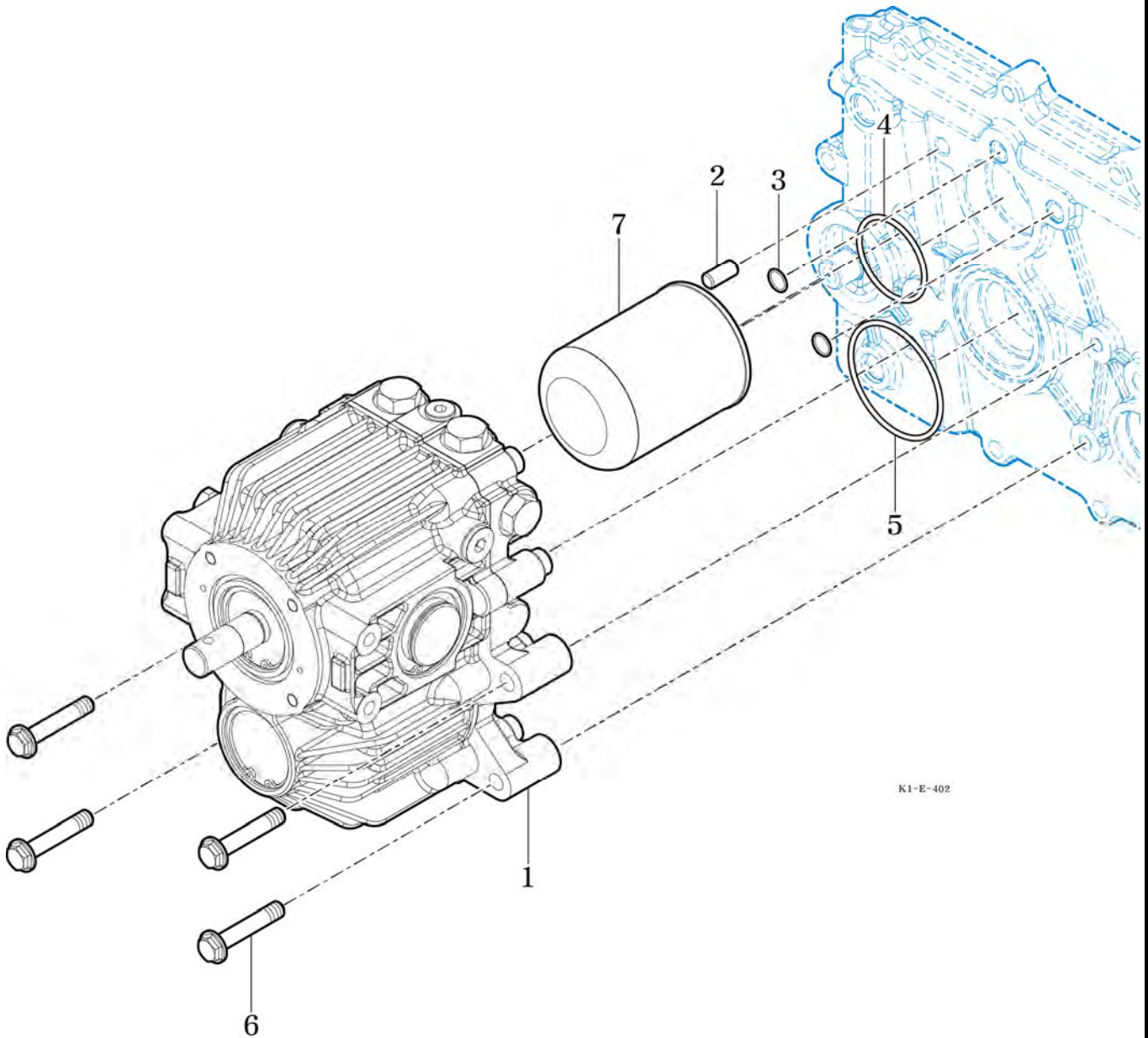
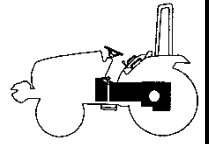
Dako 25H

HST

P1

YEAR

2020



K1-E-402

NOTE

FIG 403

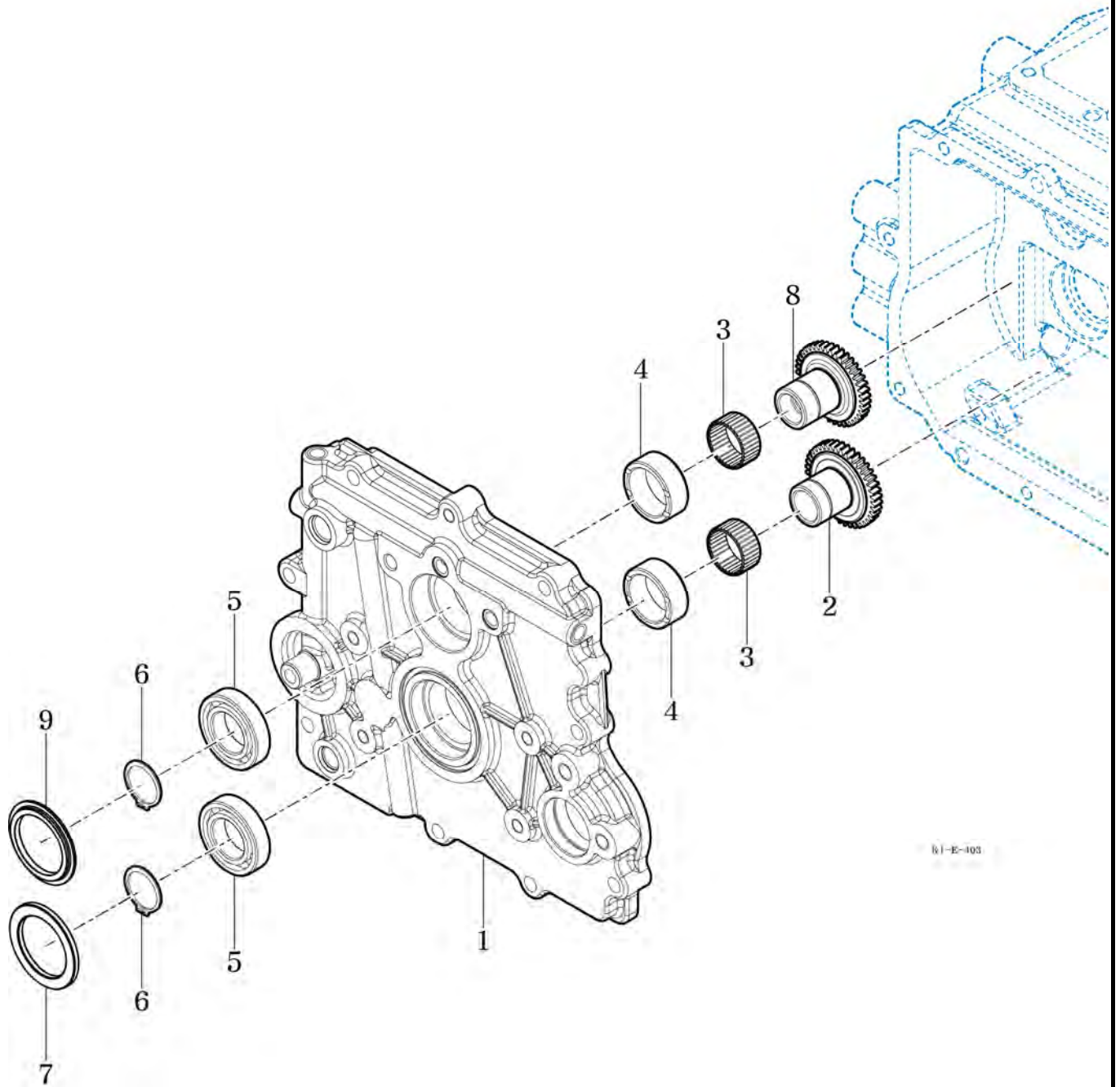
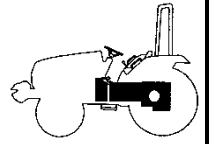
Dako 25H

INPUT GEAR

P1

YEAR

2020



k1-E-103

NOTE

FIG 404

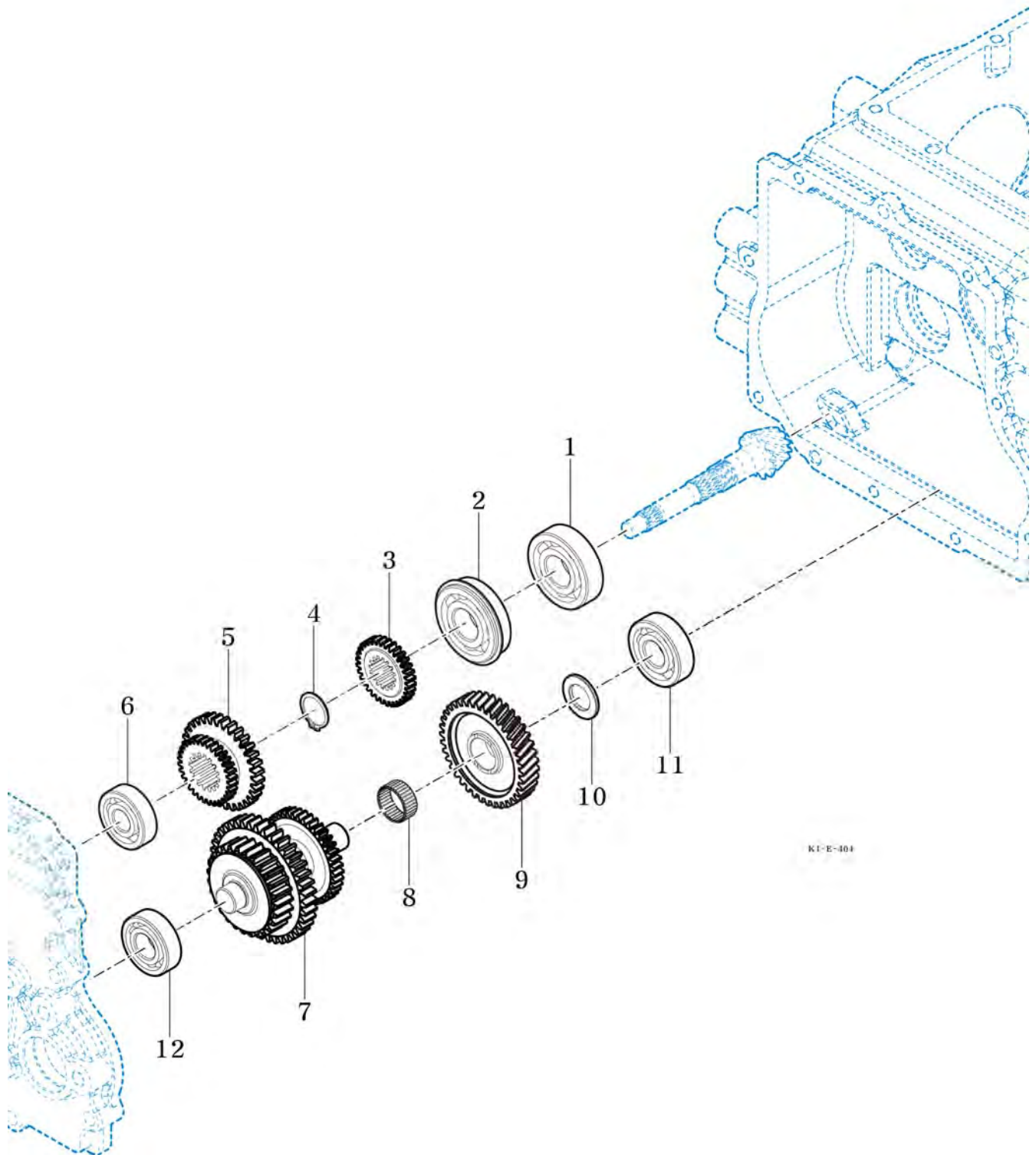
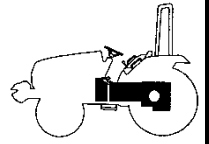
Dako 25H

RANGE GEAR

P1

YEAR

2020



KI-E-404

NOTE

FIG 405

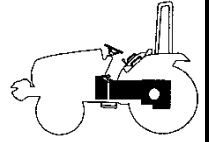
Dako 25H

4WD DRIVE GEAR

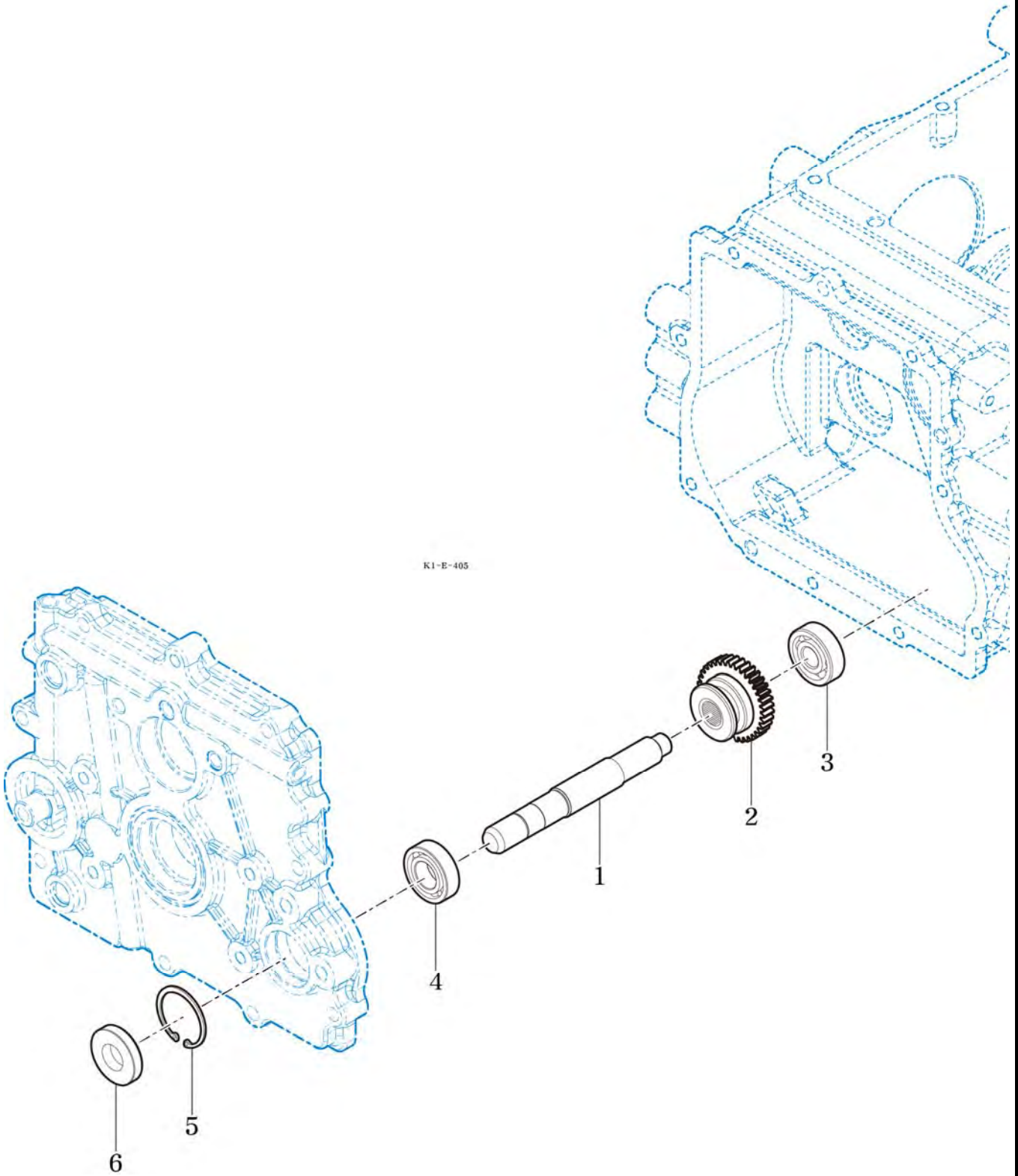
P1

YEAR

2020



K1-E-405



NOTE

FIG 406

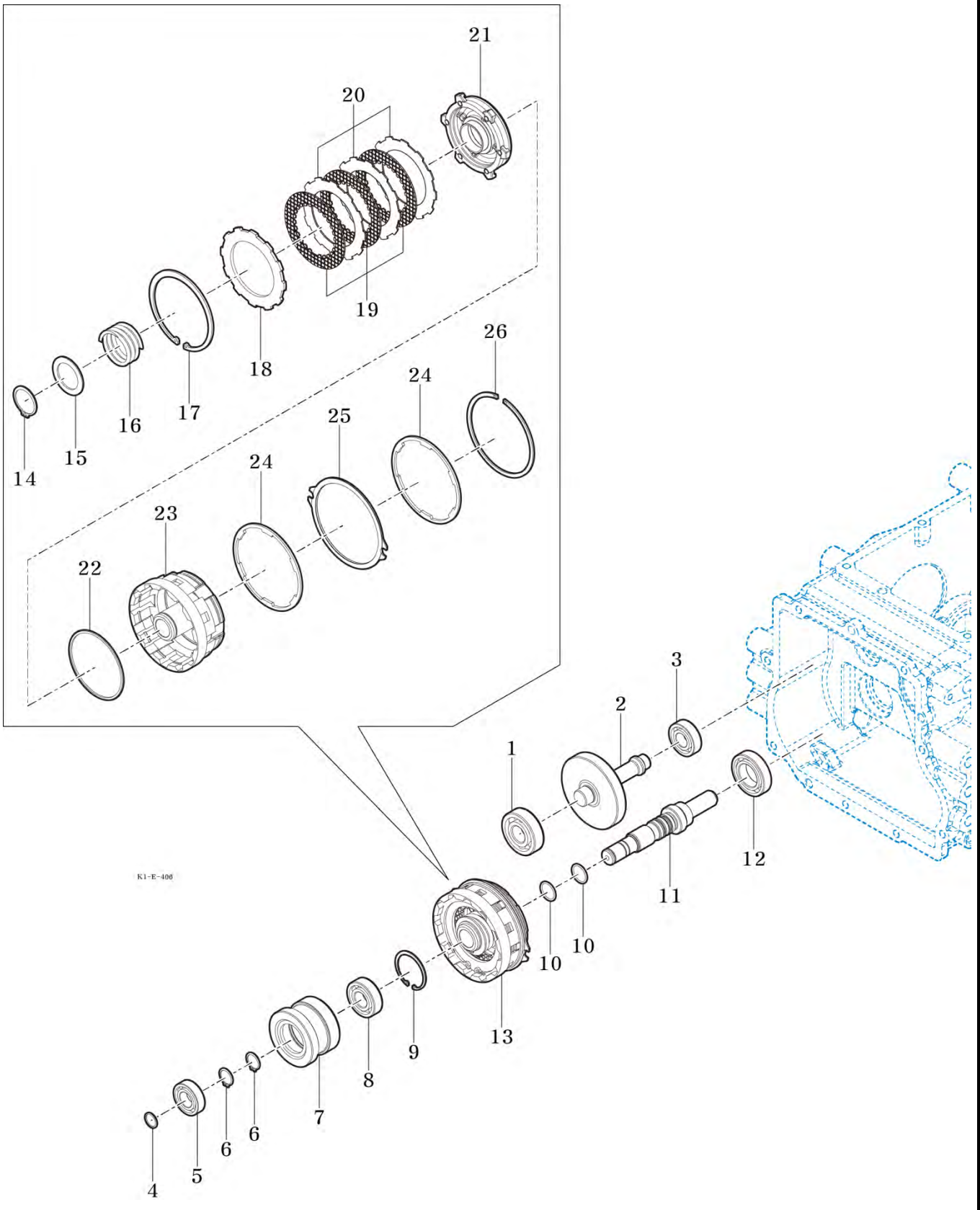
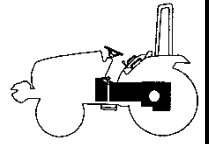
P.T.O DRIVE SHAFT

Dako 25H

P1

YEAR

2020



NOTE

FIG 407

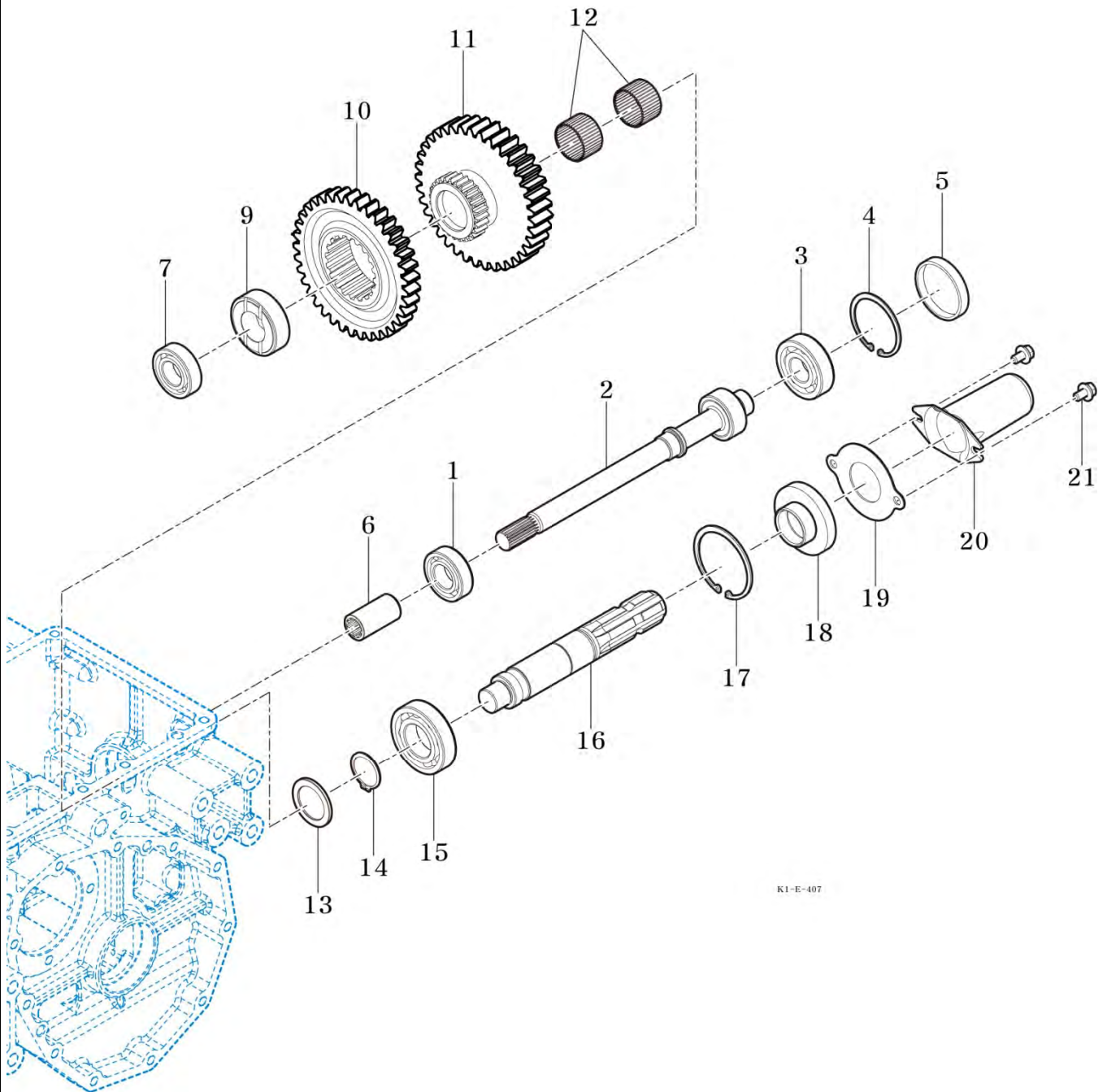
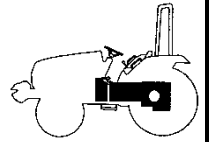
Dako 25H

P.T.O SHAFT

P1

YEAR

2020



K1-E-407

NOTE

FIG 408

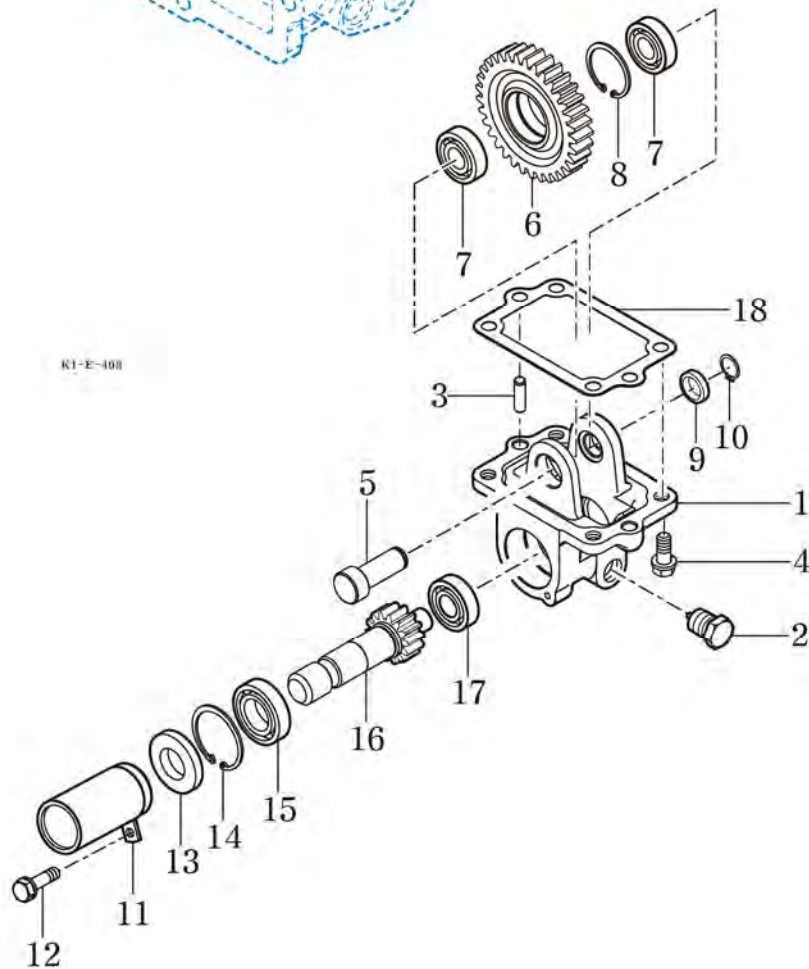
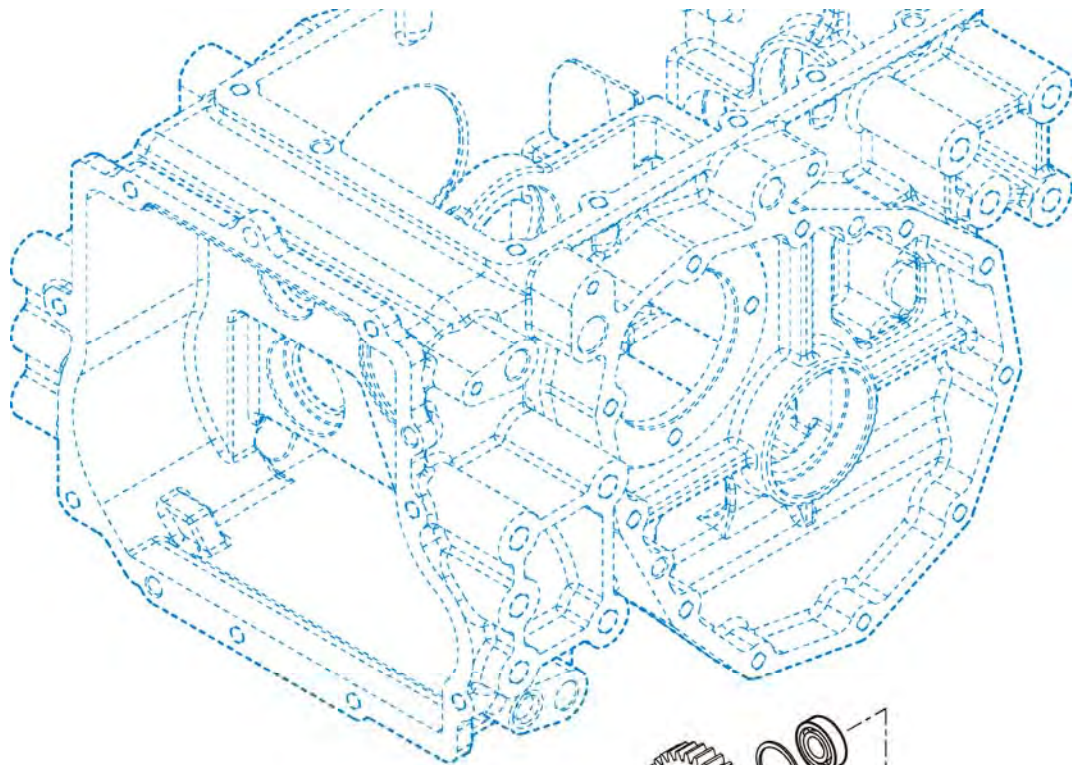
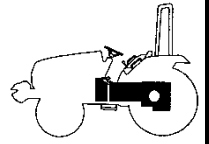
Dako 25H

MID P.T.O GEAR

P1

YEAR

2020



NOTE

FIG 409

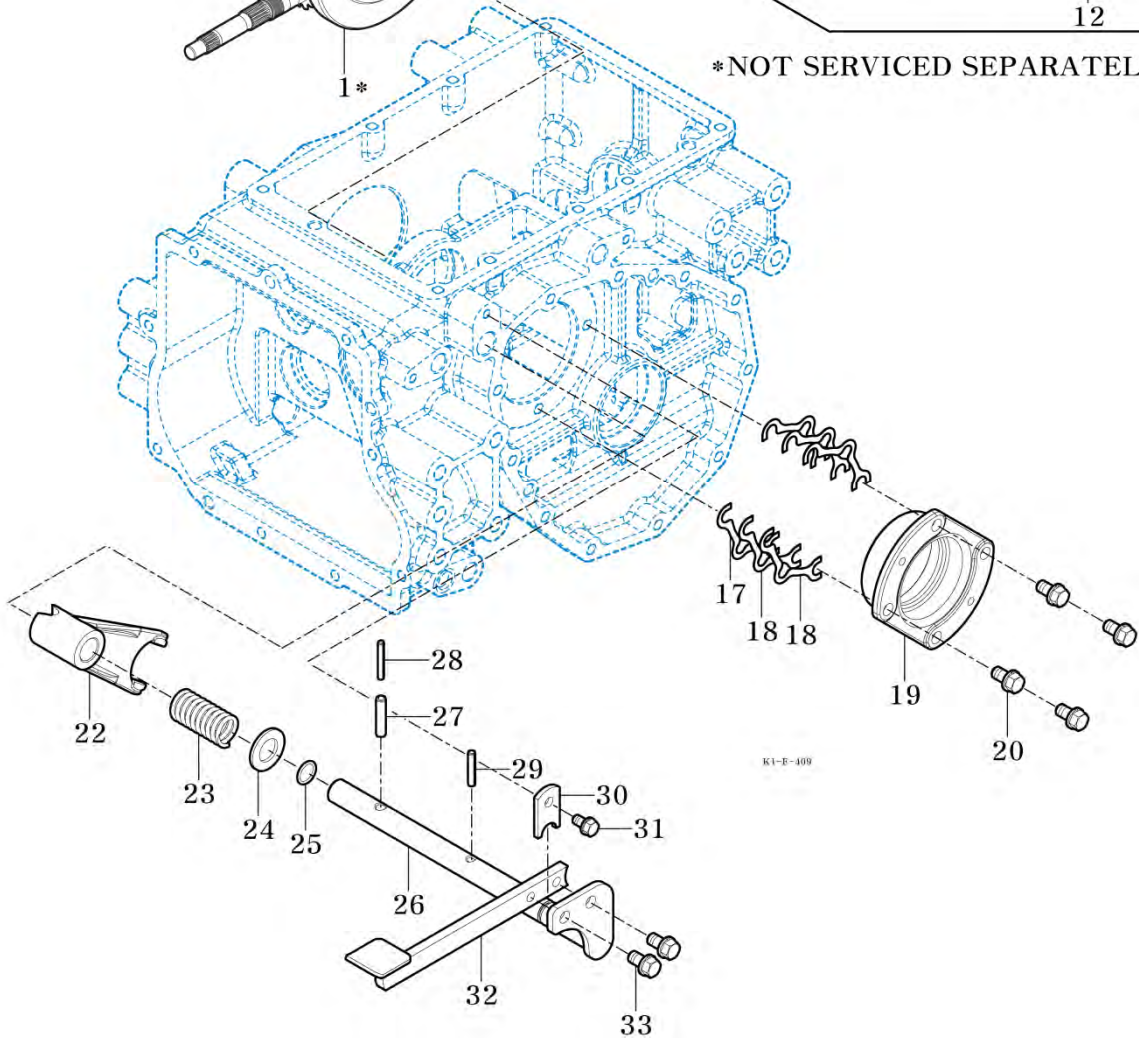
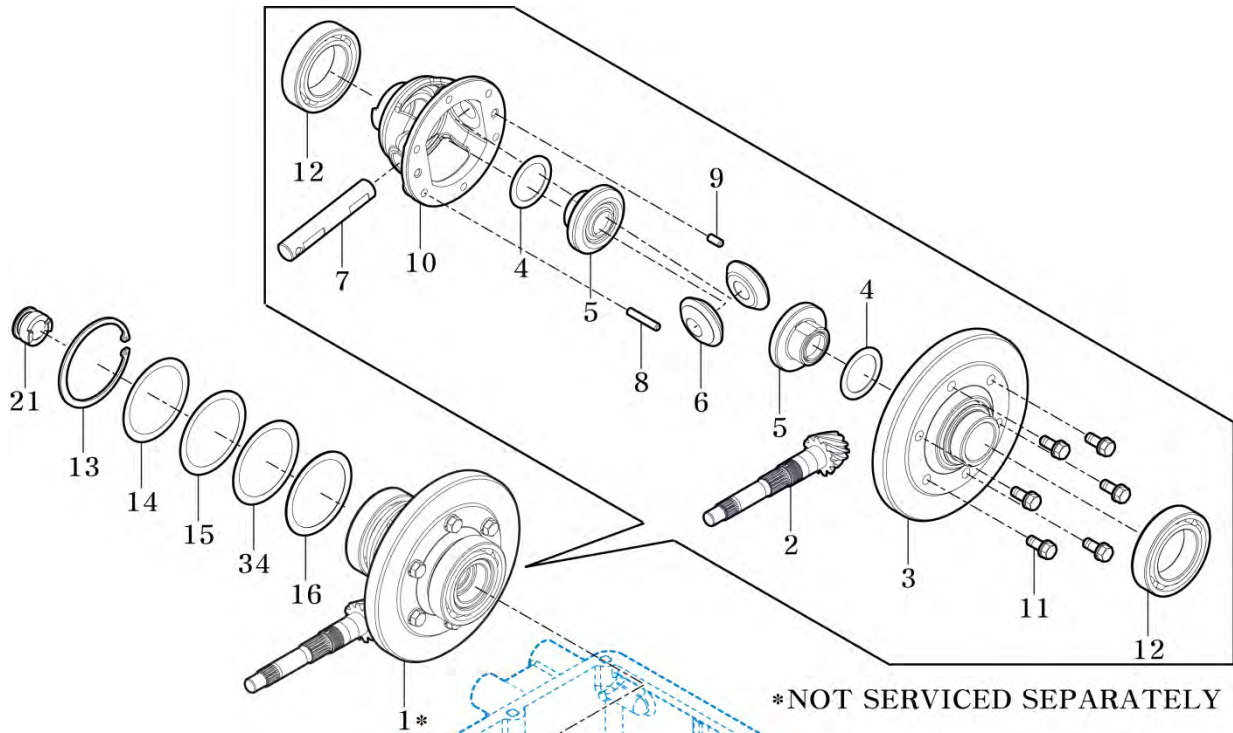
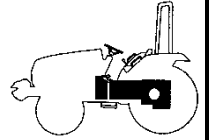
Dako 25H

DIFF LOCK

P1

YEAR

2020



K3-E-409

NOTE

FIG 410

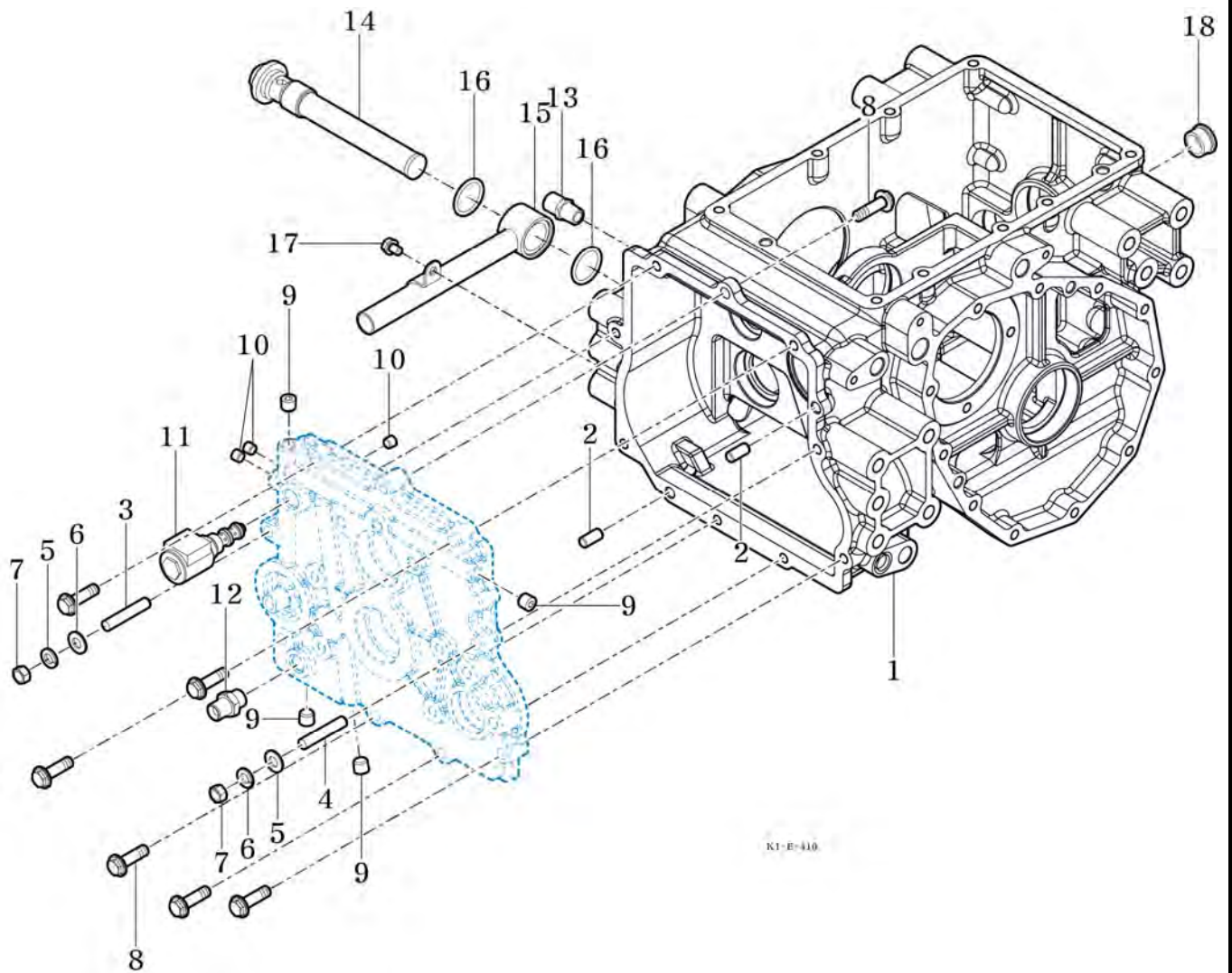
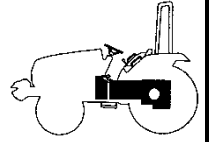
Dako 25H

REAR TRANSMISSION CASE

P1

YEAR

2020



K1-E-410

NOTE

FIG 411

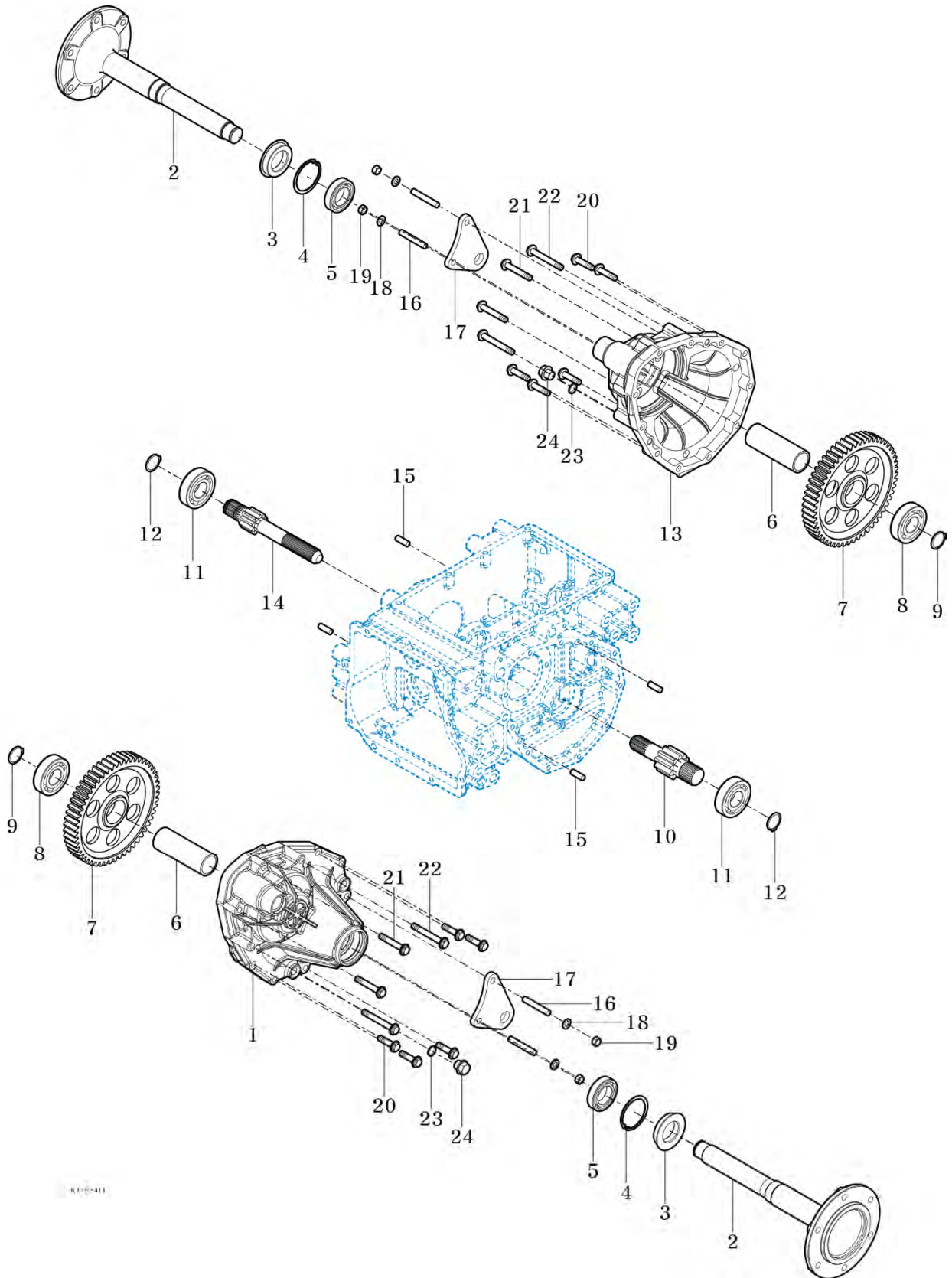
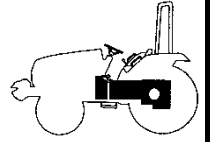
REAR AXLE HOUSING

Dako 25H

P1

YEAR

2020



NOTE

FIG 412

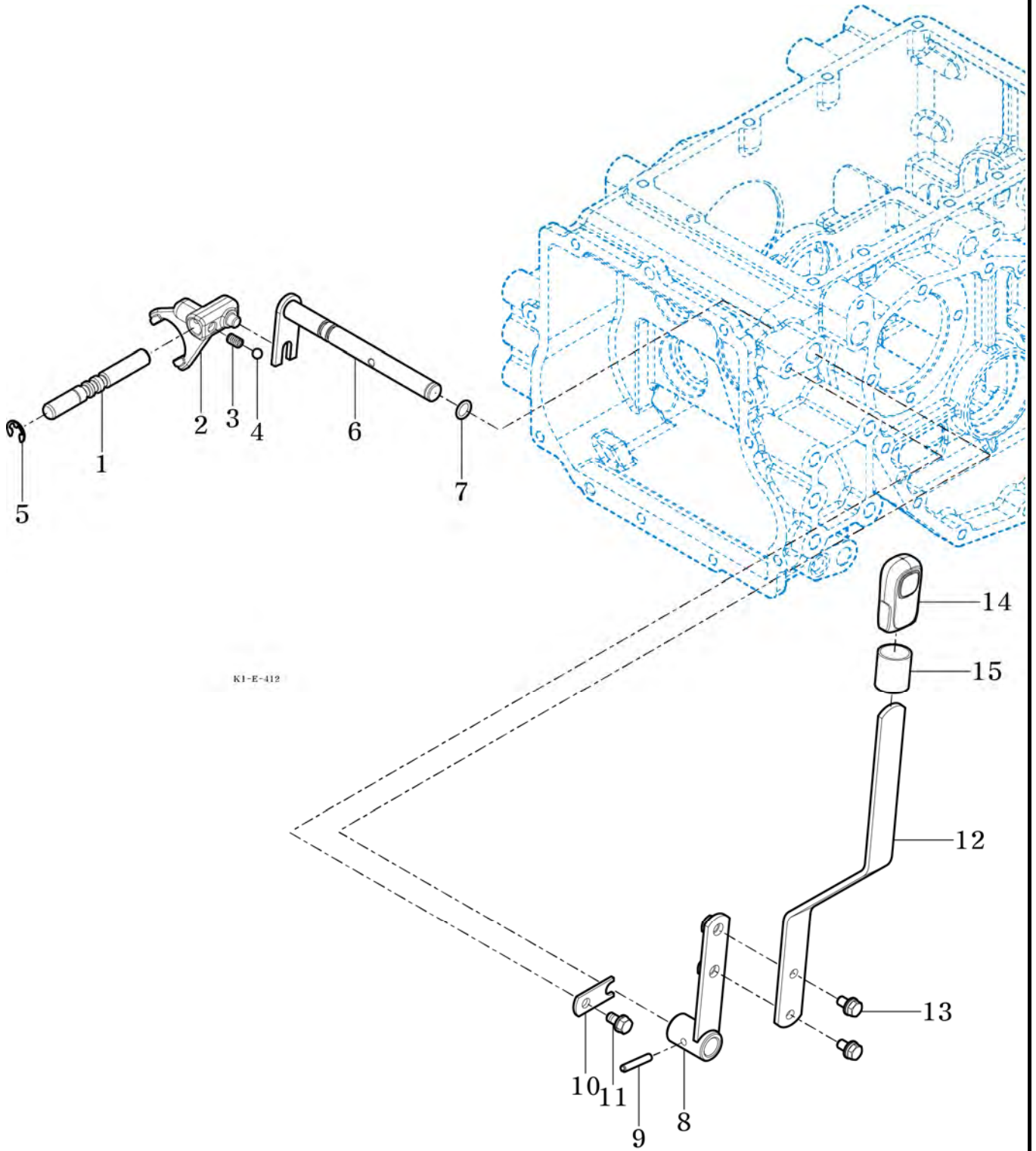
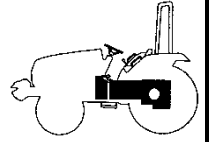
Dako 25H

RANGE SHIFT LEVER

P1

YEAR

2020



NOTE

FIG 413

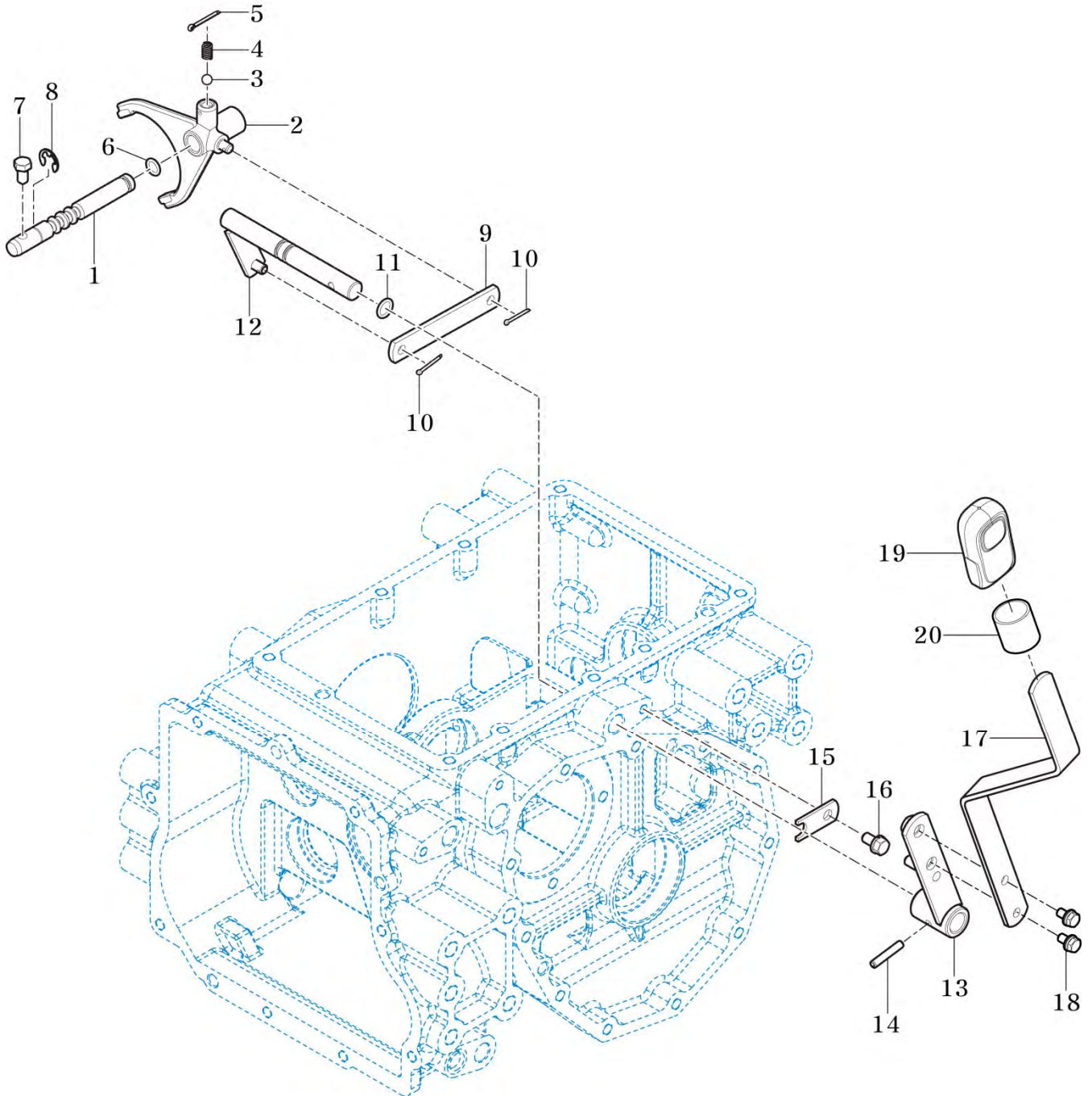
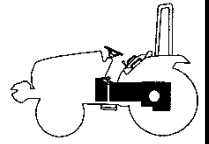
Dako 25H

P.T.O CHANGE LEVER

P1

YEAR

2020



NOTE

FIG 414

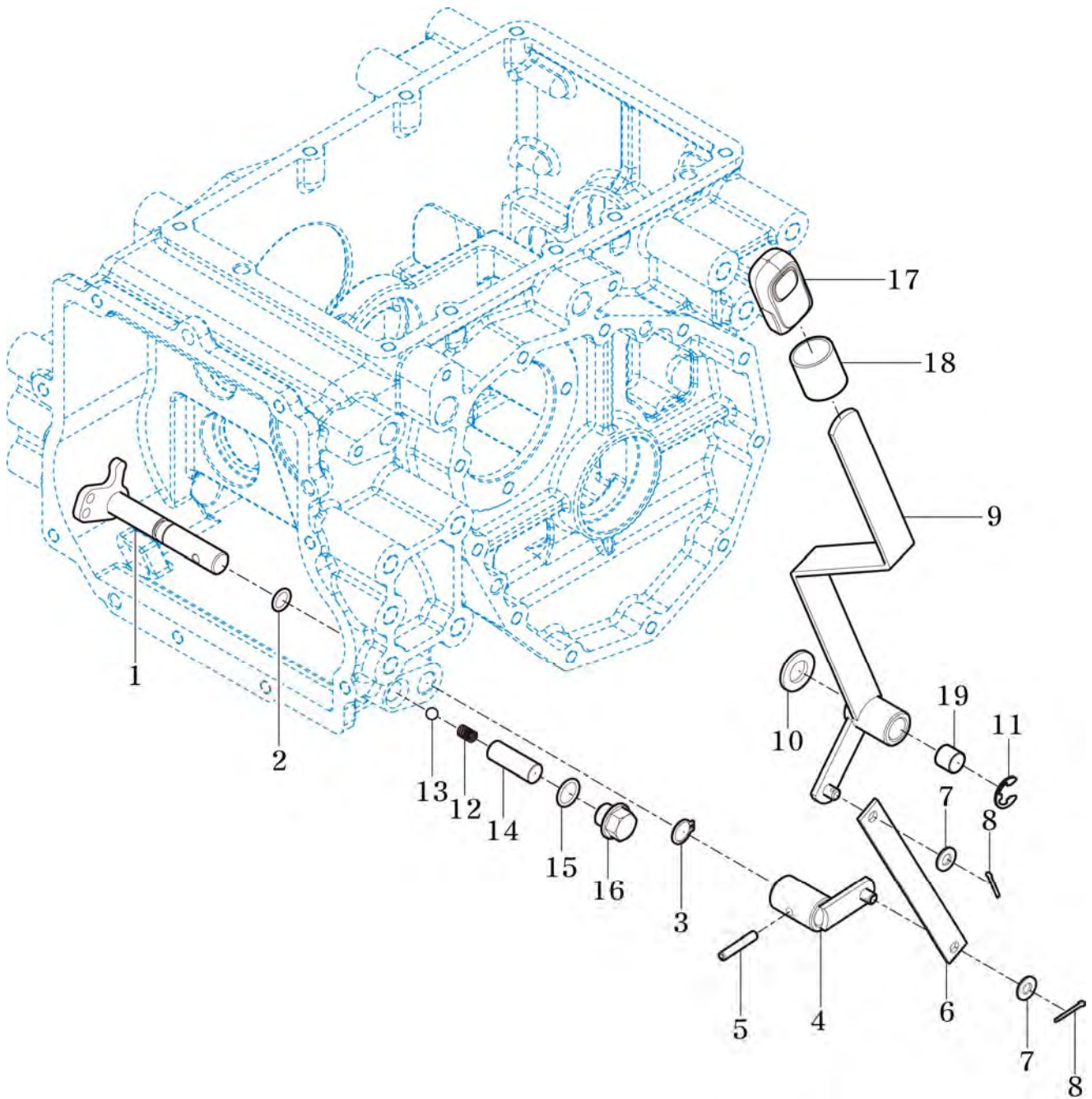
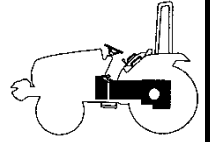
Dako 25H

4WD CHANGE LEVER

P1

YEAR

2020



NOTE

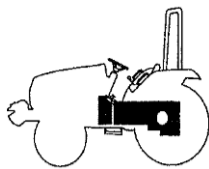
KEY NO.		PART NO.	DESCRIPSTION	SPEC.	QTY.	REPAIR	YEAR	REMARKS	
							2020		
FIG 414		4WD CHANGE LEVER			P1				
Dako 25H									
414	001	11102632100	FORK COMP , 4WD		1				
414	002	V7201024012	O-RING , P	1A , P12	1				
414	003	V7041400160	C-RING , SHAFT	16	1				
414	004	11102632200	ARM COMP , 4WD		1				
414	005	V5801406032	PIN , SPRING	6X32	1				
414	006	11102630010GB	LINK , 4WD		1				
414	007	V4111600080	WASHER , PLAIN	M8	2				
414	008	V5001925020	PIN D2.5x20	2.5X20	2				
414	009	11102633101	LEVER COMP , 4WD		1				
414	010	V4111600160	WASHER , PLAIN	M16	1				
414	011	V7081400120	E-RING		1				
414	012	V6802000010	BALL , STEEL	5/16	1				
414	013	13022250030	SPRING , SHIFTER		1				
414	014	11102630020	GUIDE , BALL		1				
414	015	V7201024016	O-RING , P	1A , P16	1				
414	016	11102400020	PLUG , M16		1				
414	017	11106073030	KNOB , 4WD		1				
414	018	11103160020	TUBE		1				
414	019	17995070270	BUSH , 16X18X33		1				
NOTE									

FIG 415

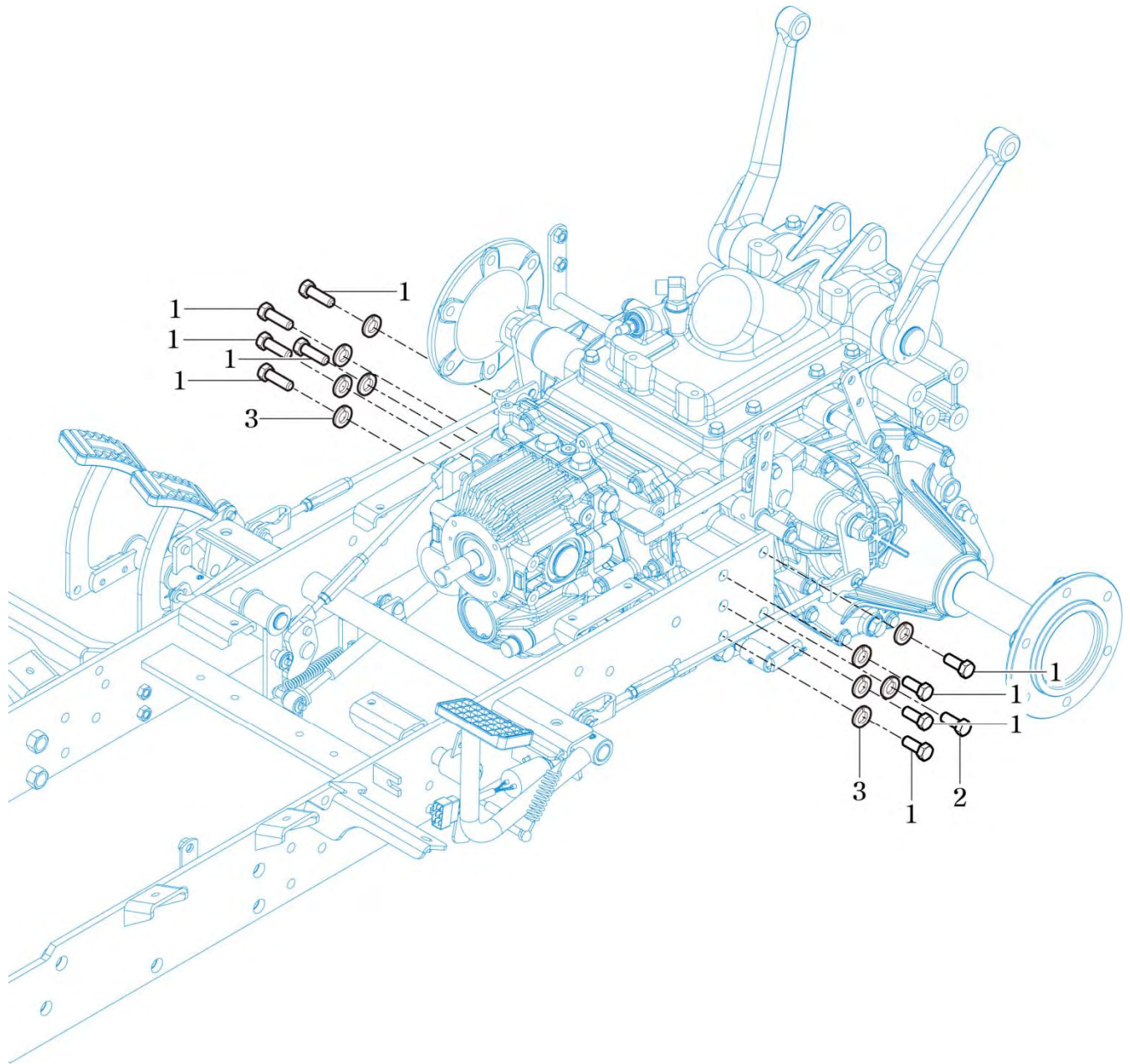
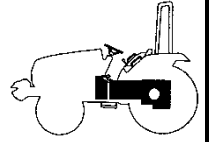
Dako 25H

TRANSMISSION MOUNTING

P1

YEAR

2020



NOTE

FIG 501

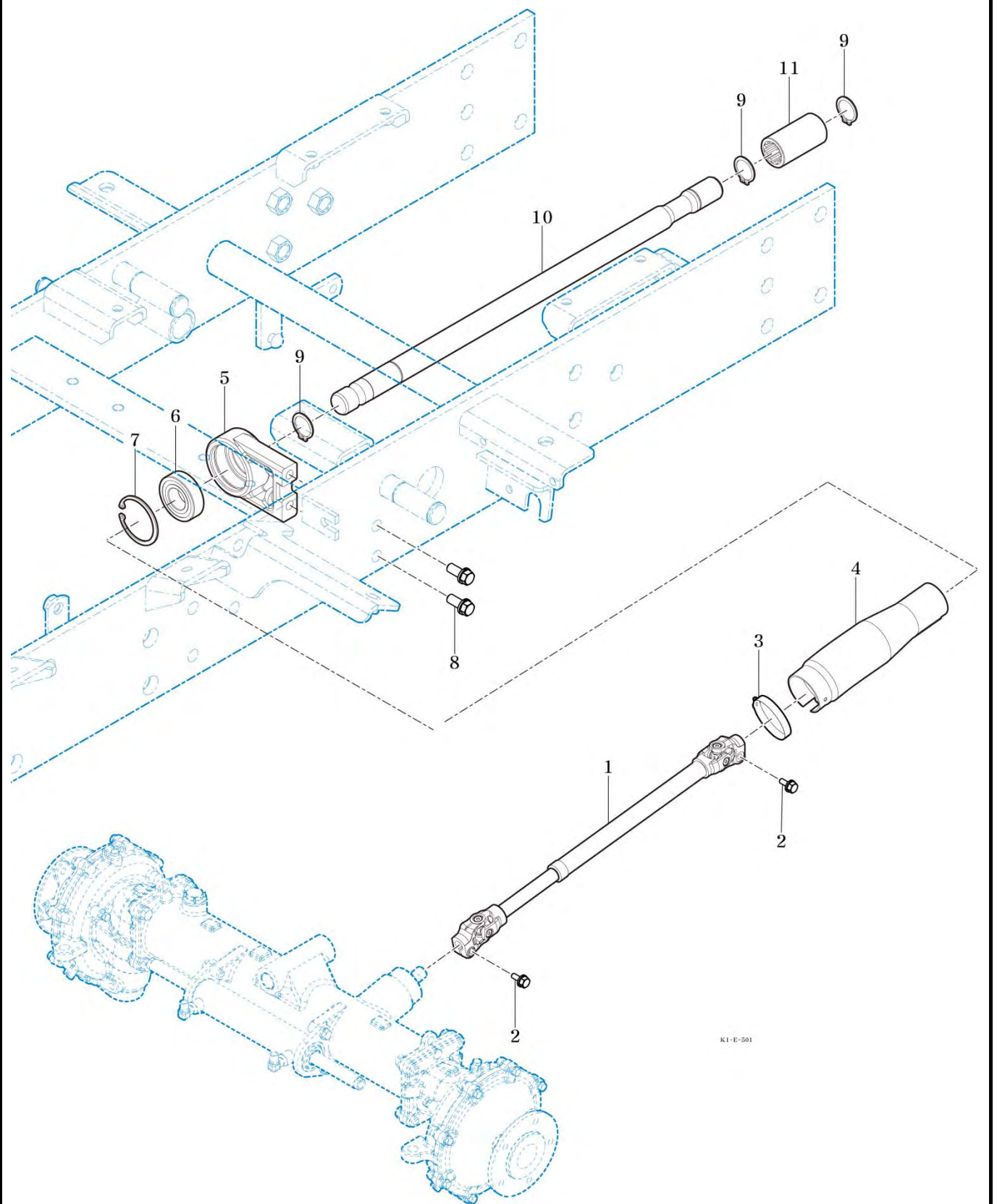
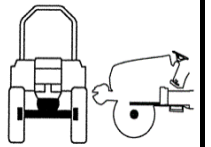
FRONT DRIVE SHAFT

Dako 25H

P1

YEAR

2020



K1-E-501

NOTE

FIG 502

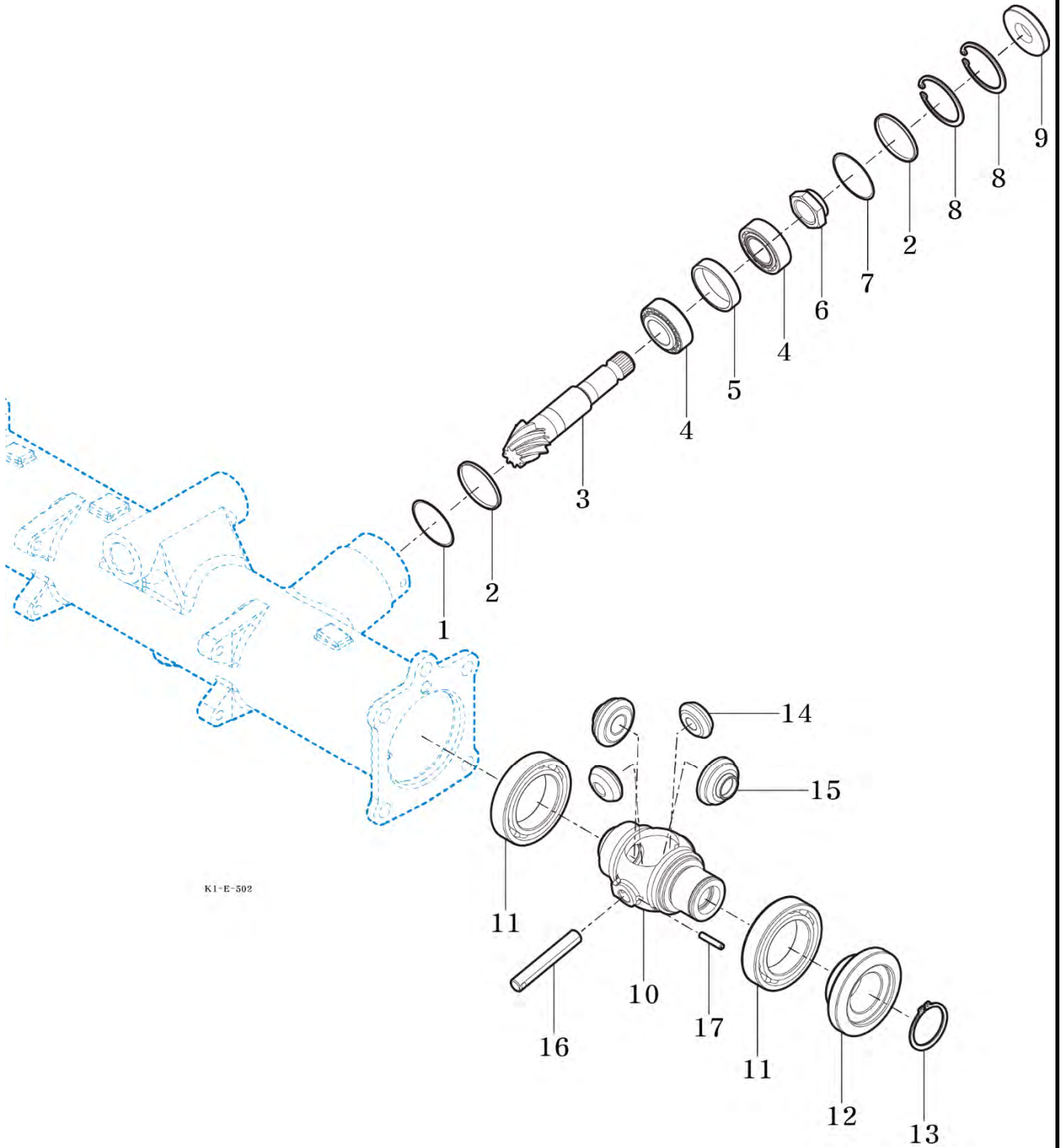
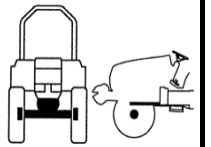
Dako 25H

FRONT DIFFERENTIAL GEAR

P1

YEAR

2020



NOTE

FIG 503

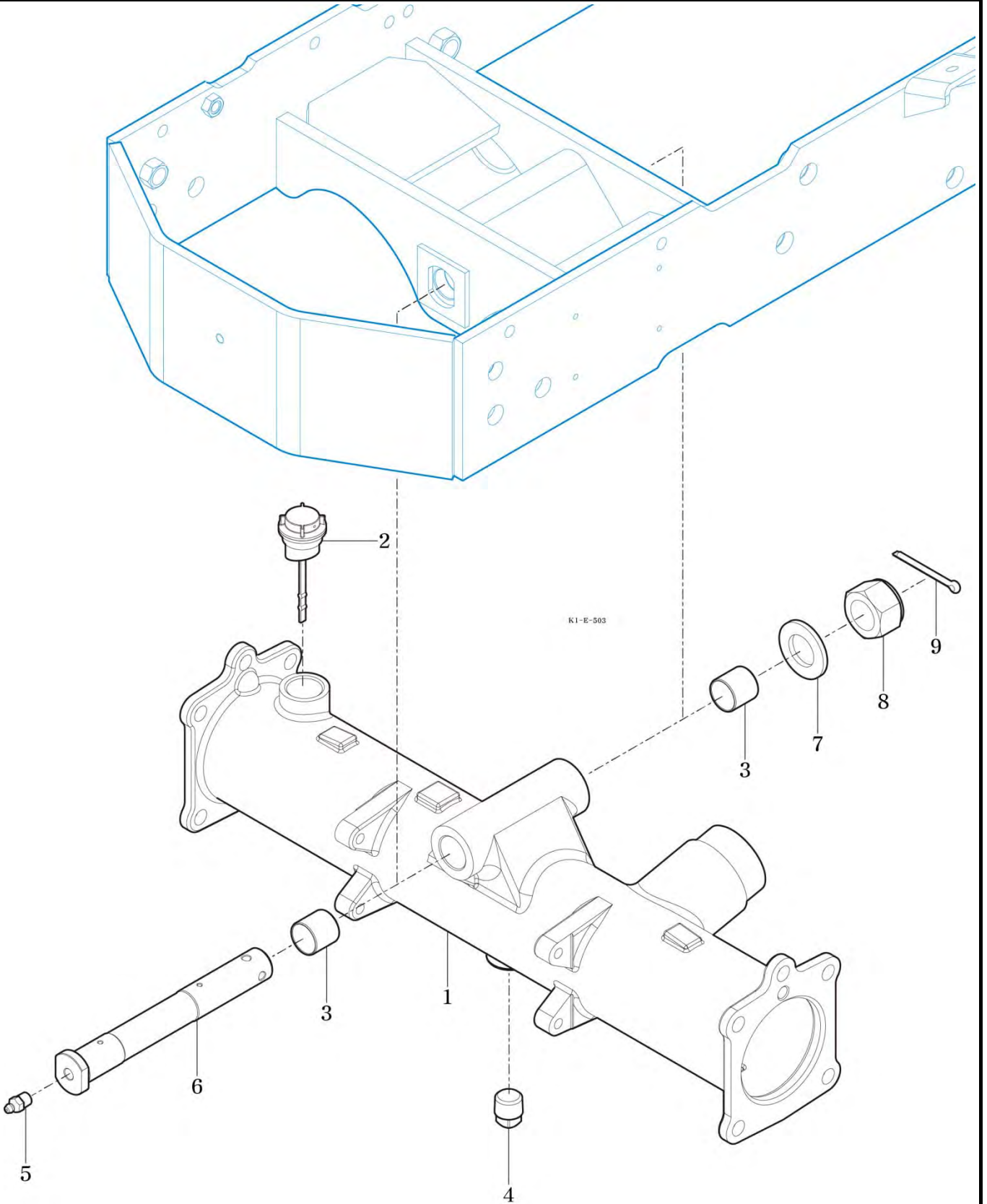
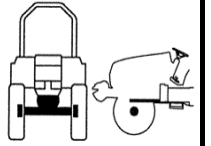
FRONT AXLE HOUSING

Dako 25H

P1

YEAR

2020



NOTE

FIG 504

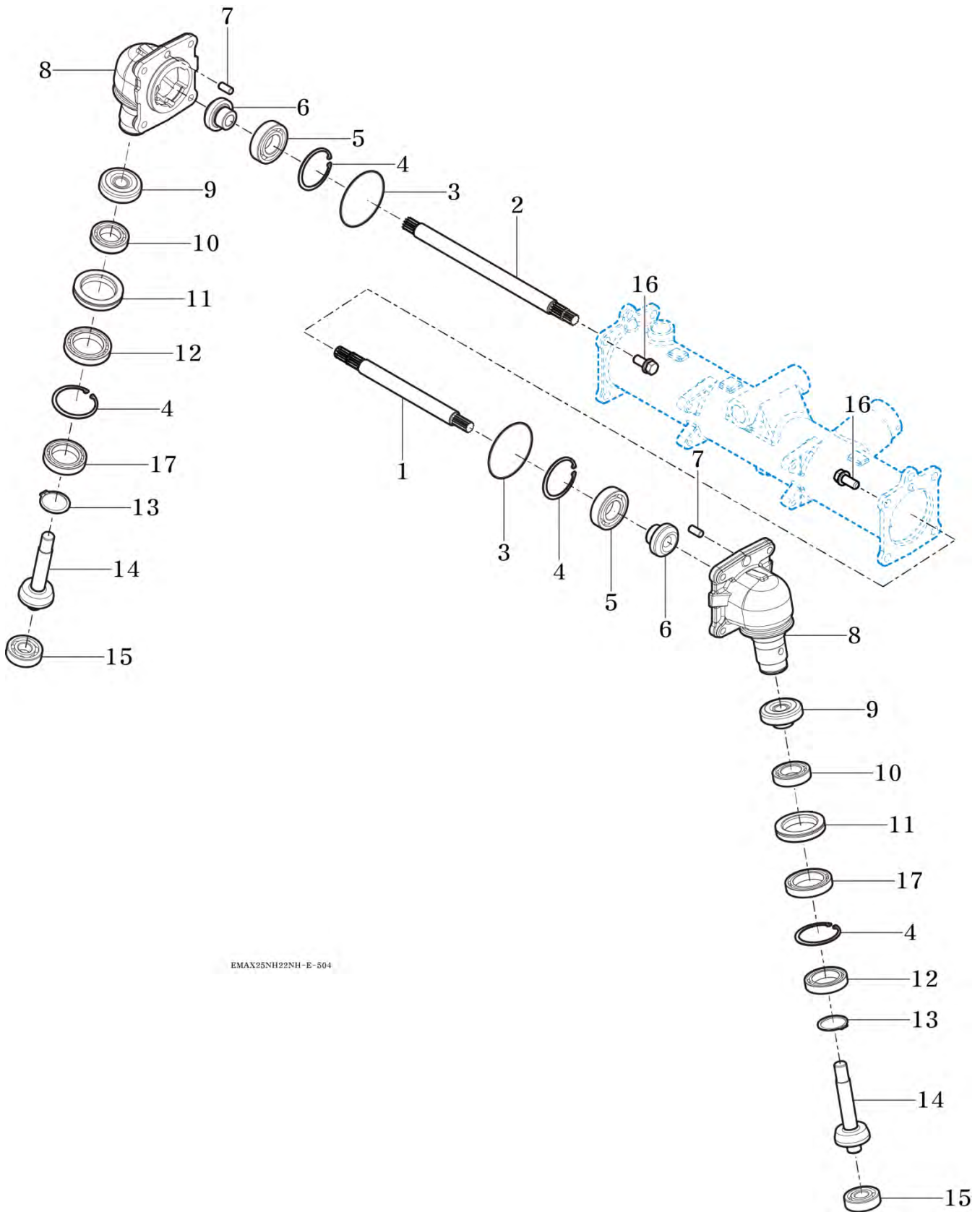
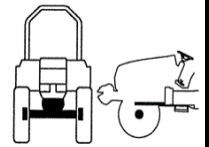
Dako 25H

FRONT GEAR CASE (1)

P1

YEAR

2020



EMAX25NH22NH-E-504

NOTE

FIG 505

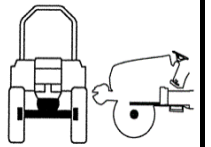
Dako 25H

FRONT GEAR CASE (2)

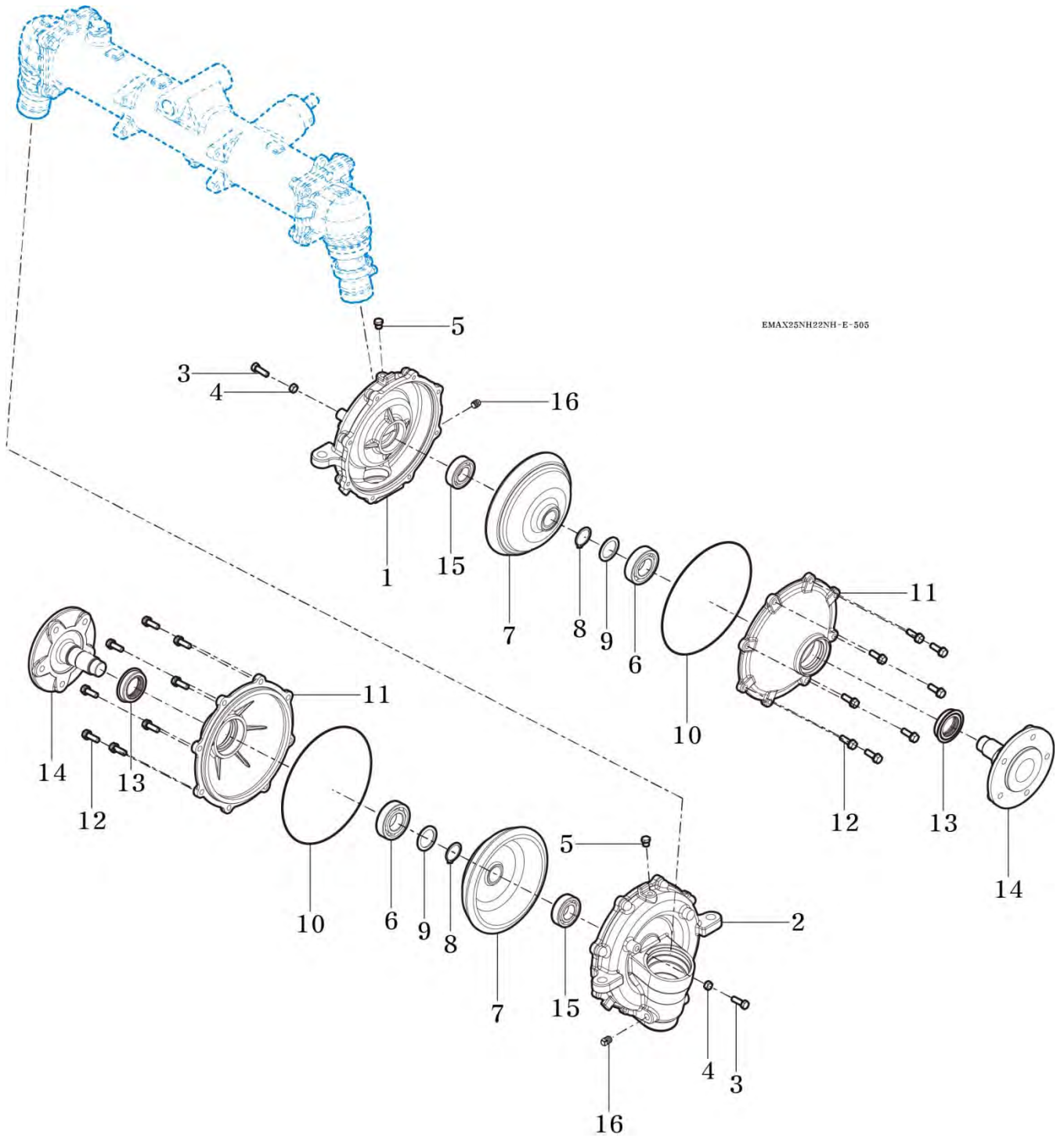
P1

YEAR

2020



EMAX25NH22NH-E-505



NOTE

FIG 601

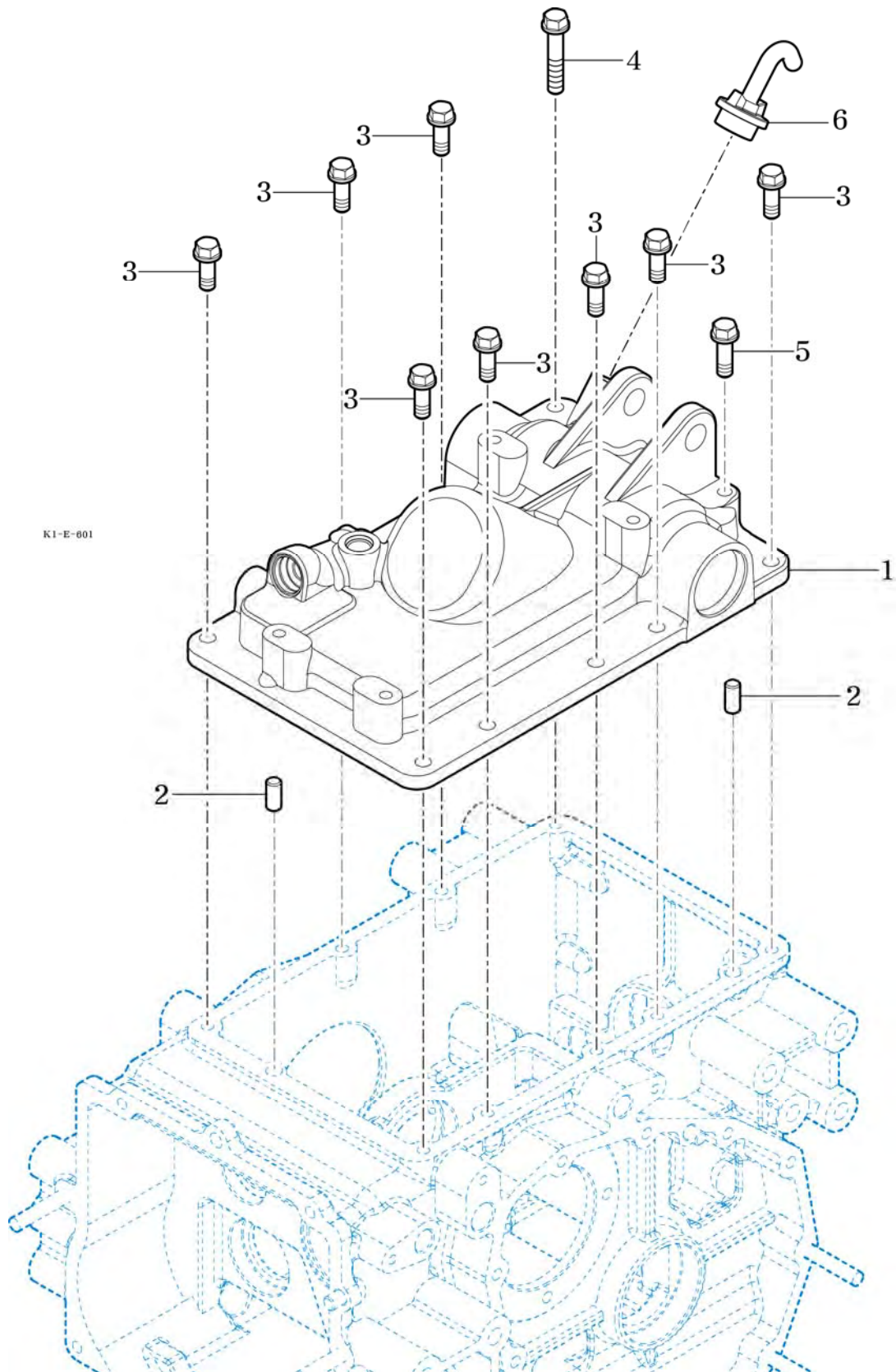
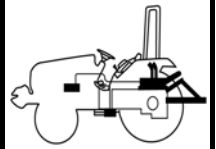
Dako 25H

CYLINDER CASE

P1

YEAR

2020



NOTE

FIG 602

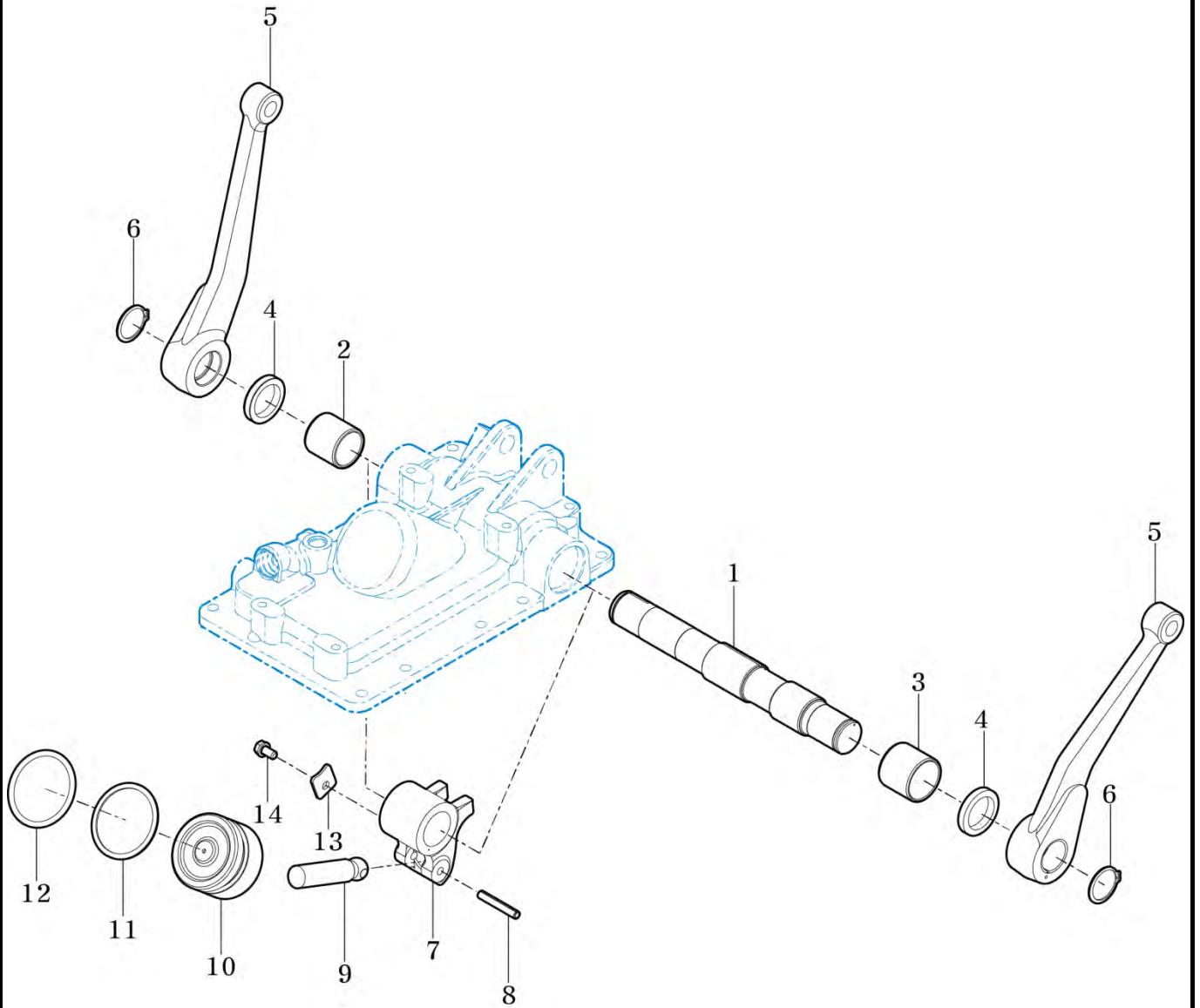
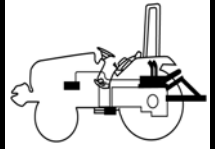
Dako 25H

LIFT ARM

P1

YEAR

2020



NOTE

FIG 603

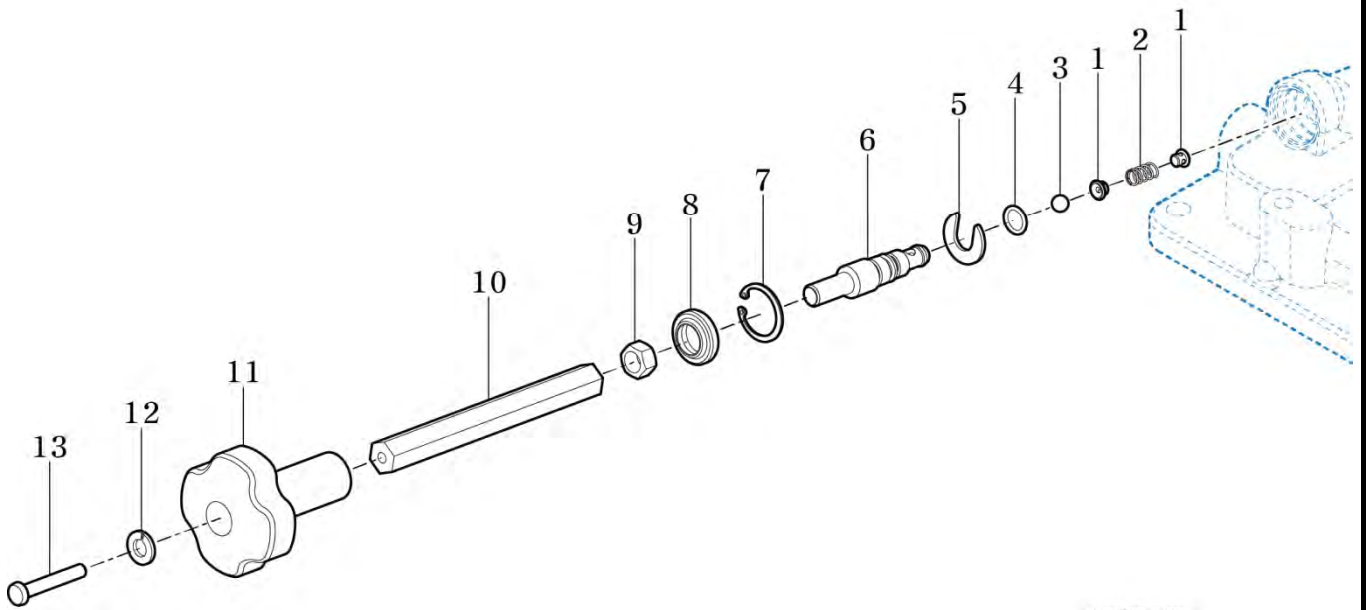
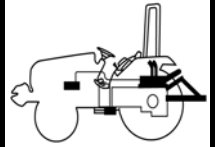
Dako 25H

FLOW CONTROL VALVE

P1

YEAR

2020



EMAX22G-E-603

NOTE

FIG 604

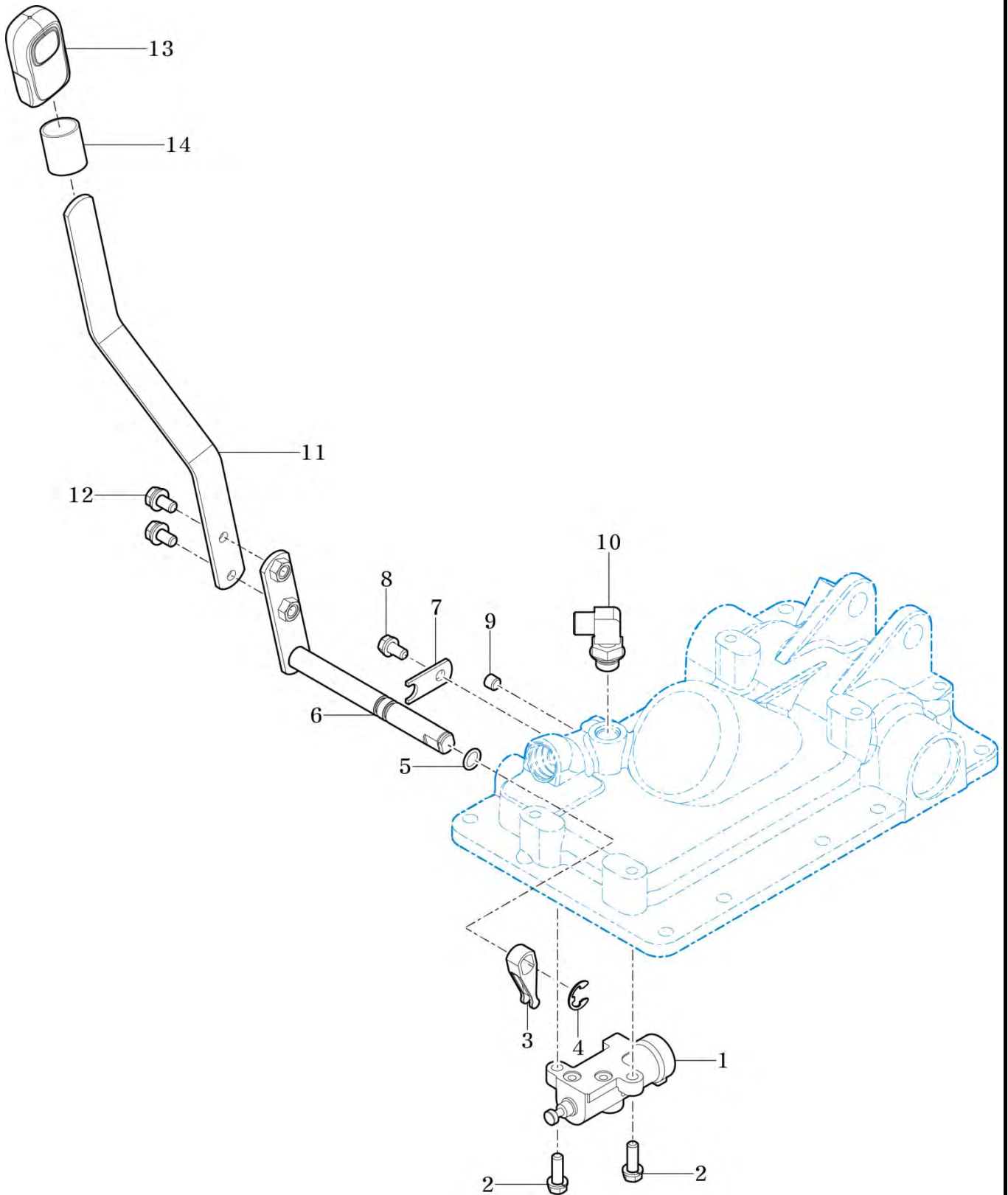
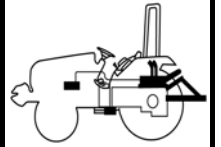
Dako 25H

MAIN CONTROL VALVE

P1

YEAR

2020



NOTE

FIG 605

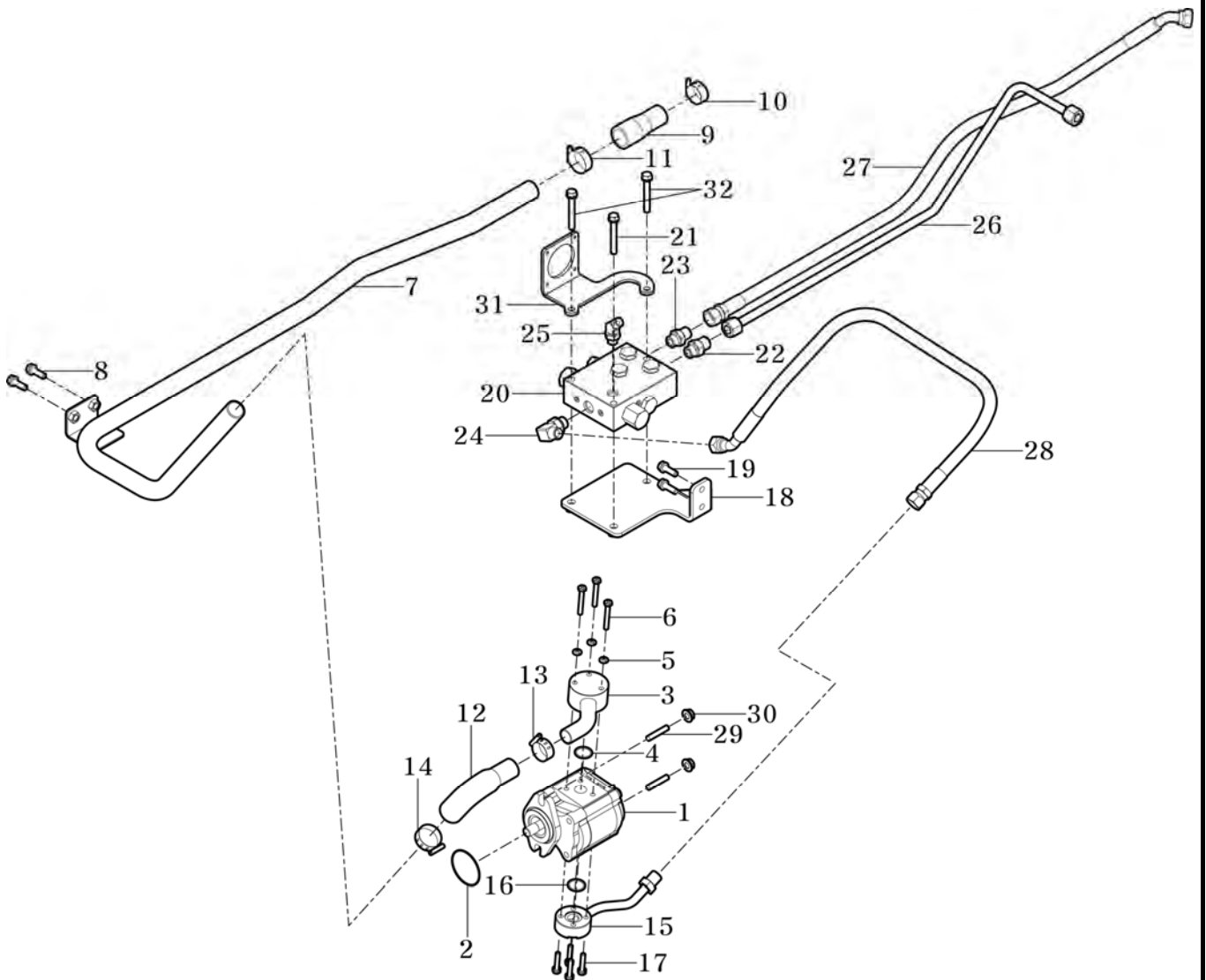
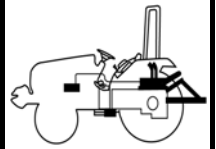
Dako 25H

HYDRAULIC SUB

P1

YEAR

2020



NOTE

FIG 606

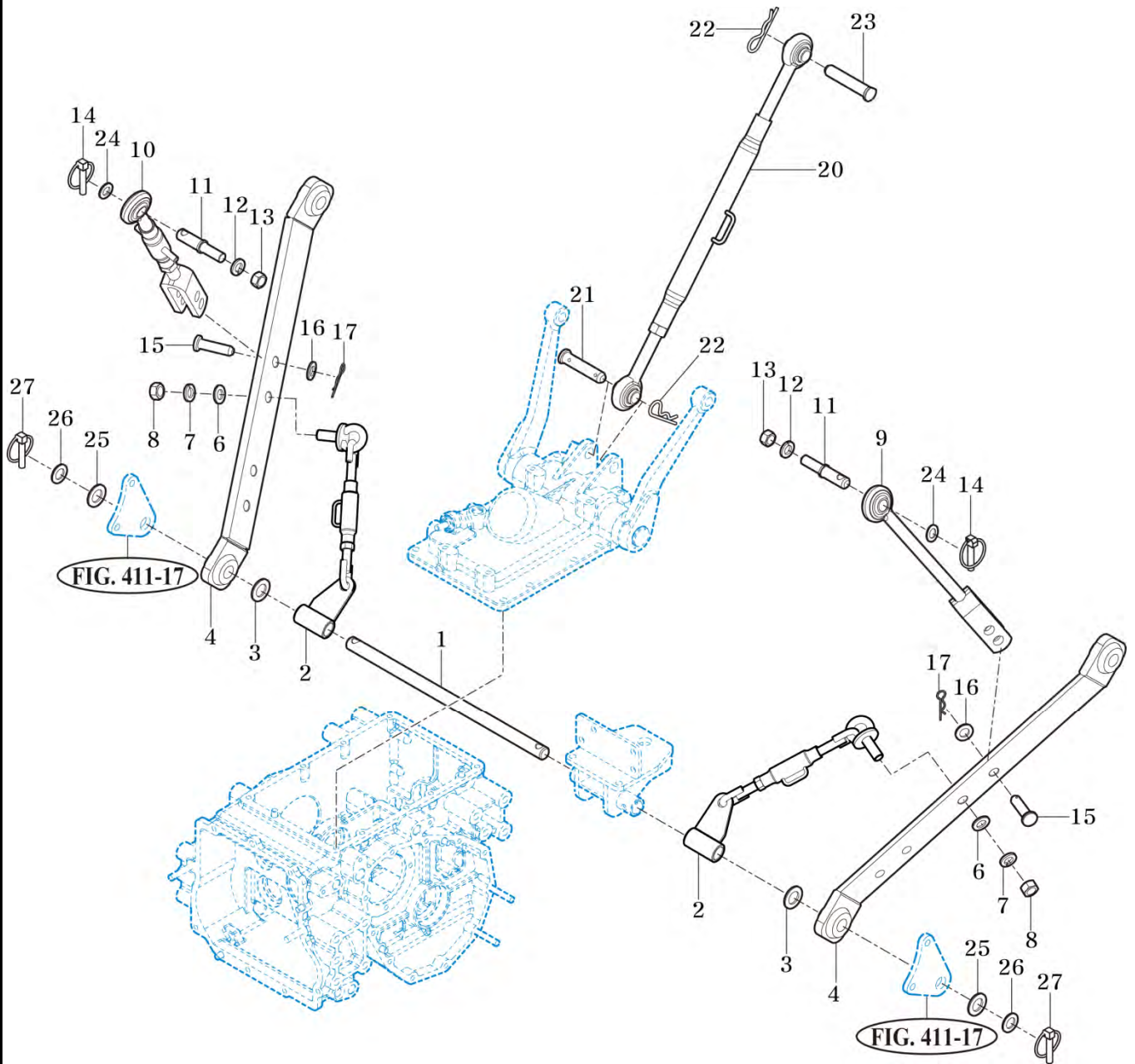
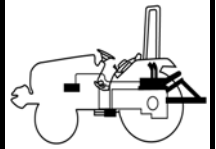
Dako 25H

HITCH & 3-POINT LINKAGE

P1

YEAR

2020



NOTE

FIG 607

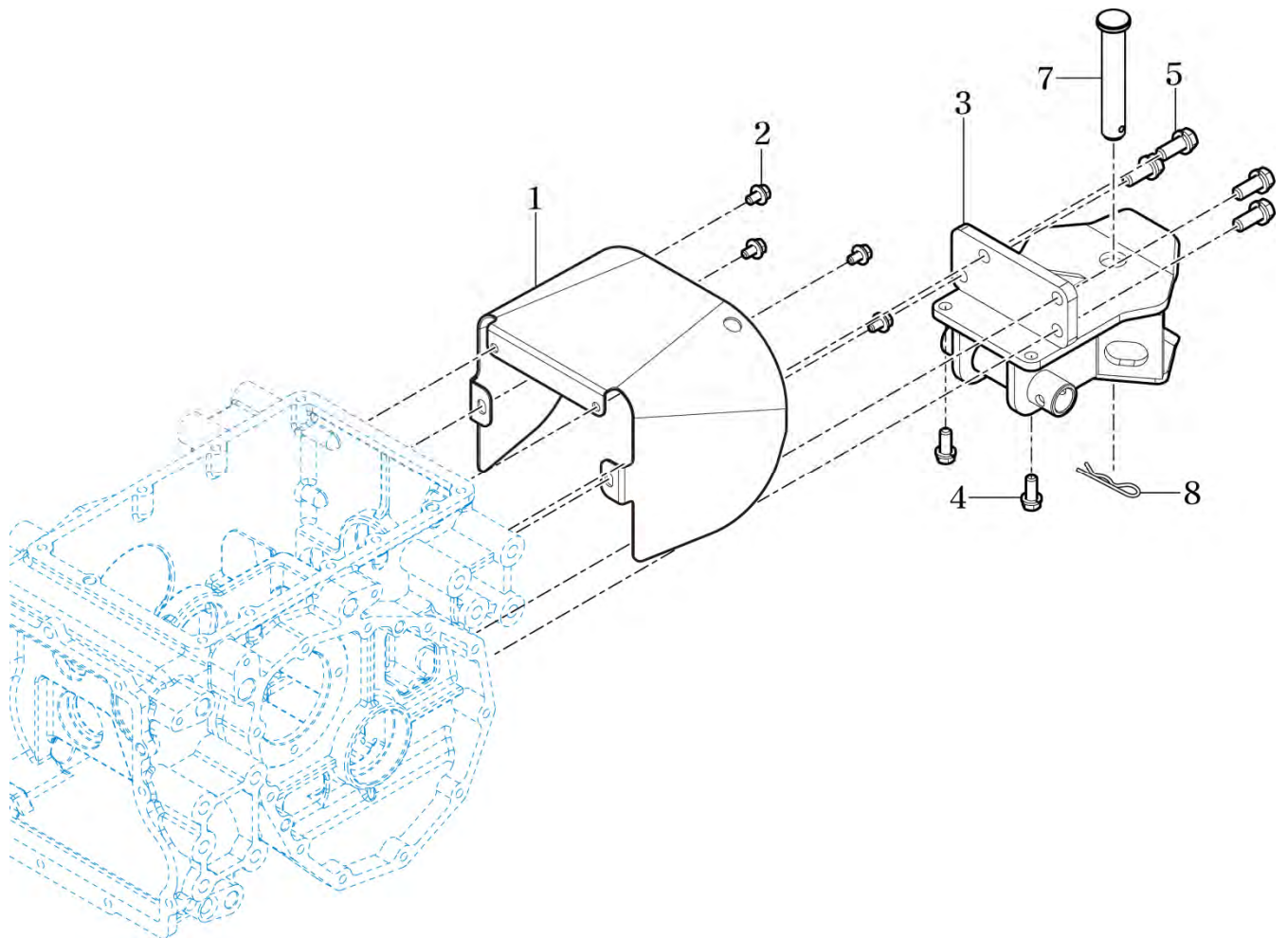
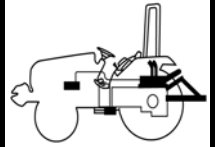
Dako 25H

HITCH & COVER

P1

YEAR

2020



NOTE

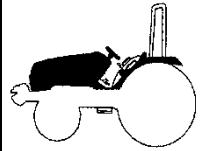
FIG 701

BONNET

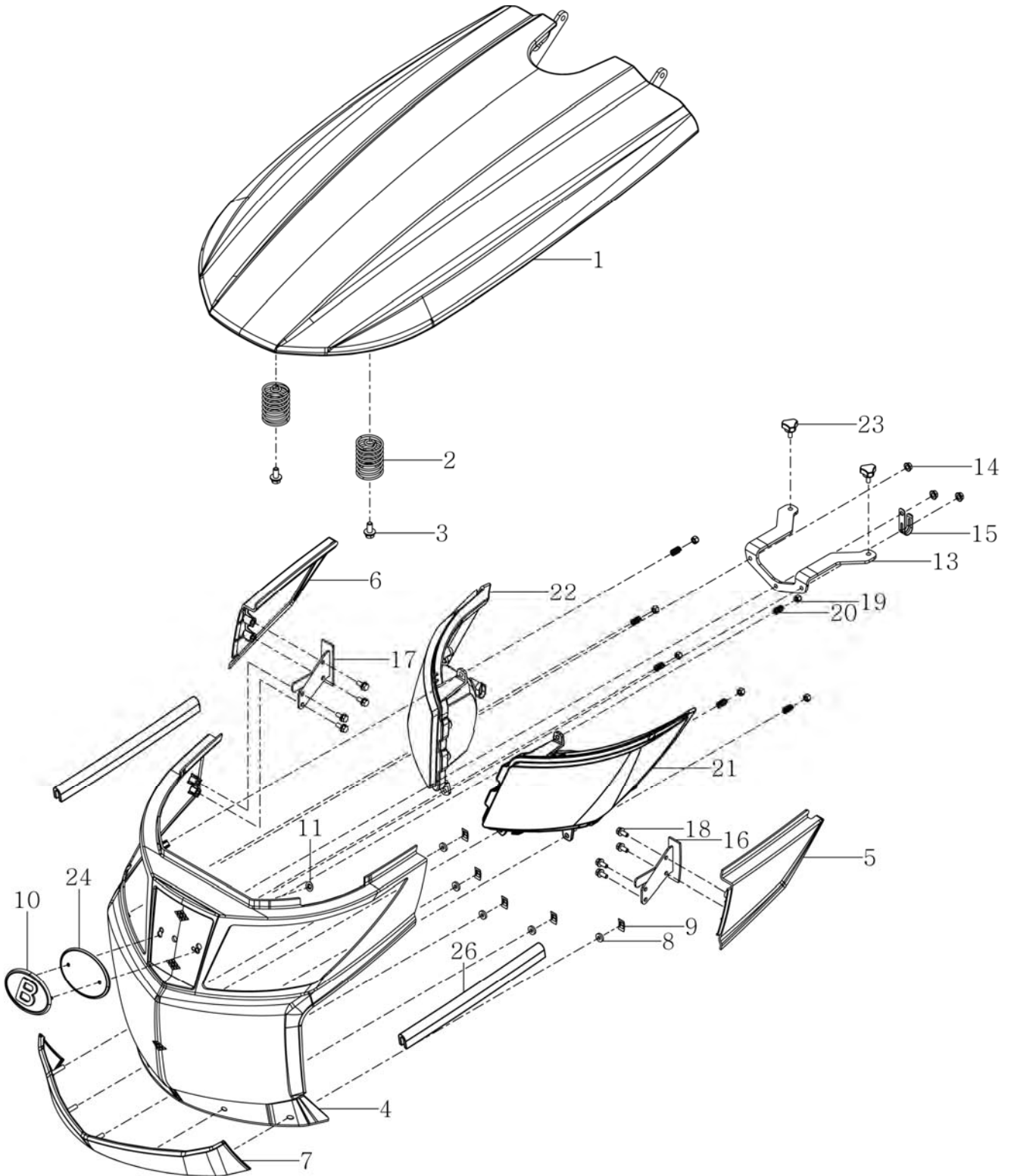
P1

YEAR

2020



Dako 25H



NOTE

FIG 701

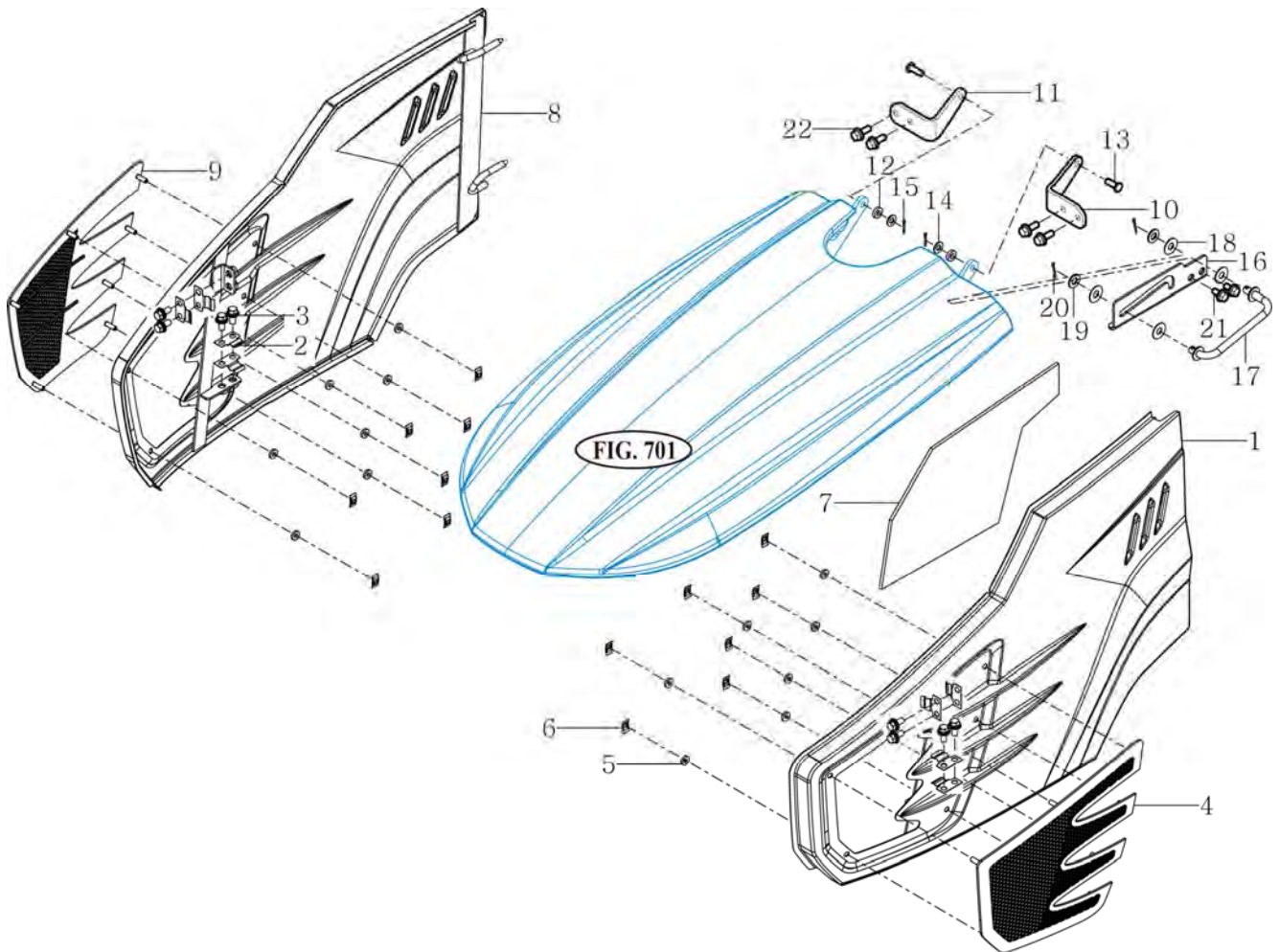
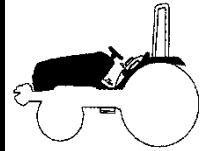
Dako 25H

BONNET

P2

YEAR

2020



NOTE

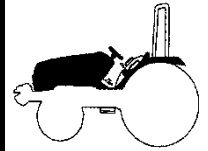
FIG 702

FLOOR

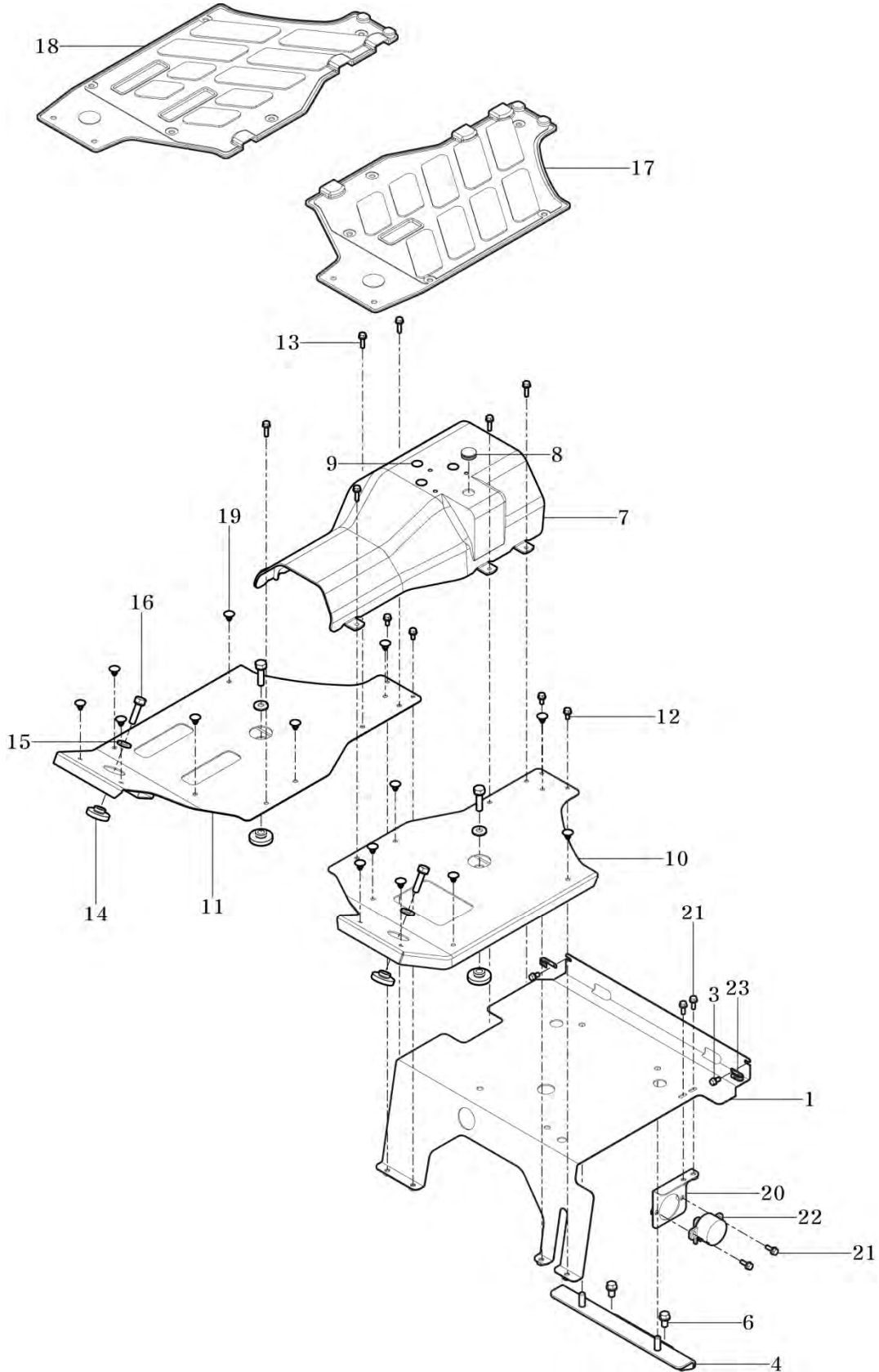
P1

YEAR

2020



Dako 25H



NOTE

FIG 703

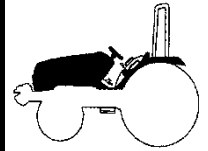
Dako 25H

SEAT

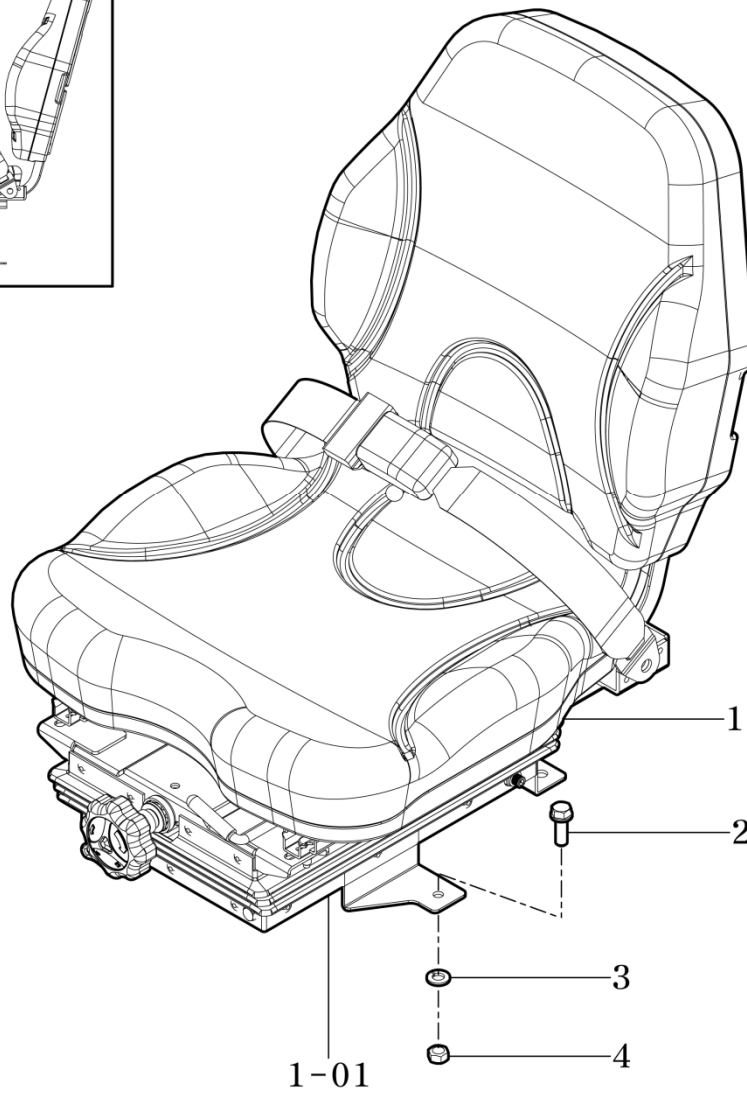
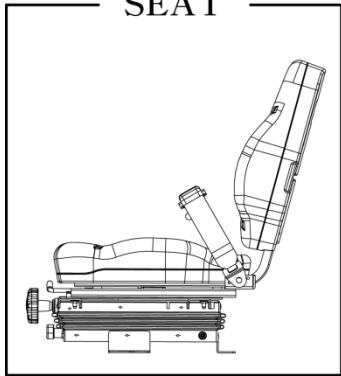
P1

YEAR

2020



SEAT



NOTE

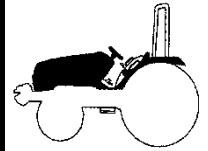
FIG 704

ROPS

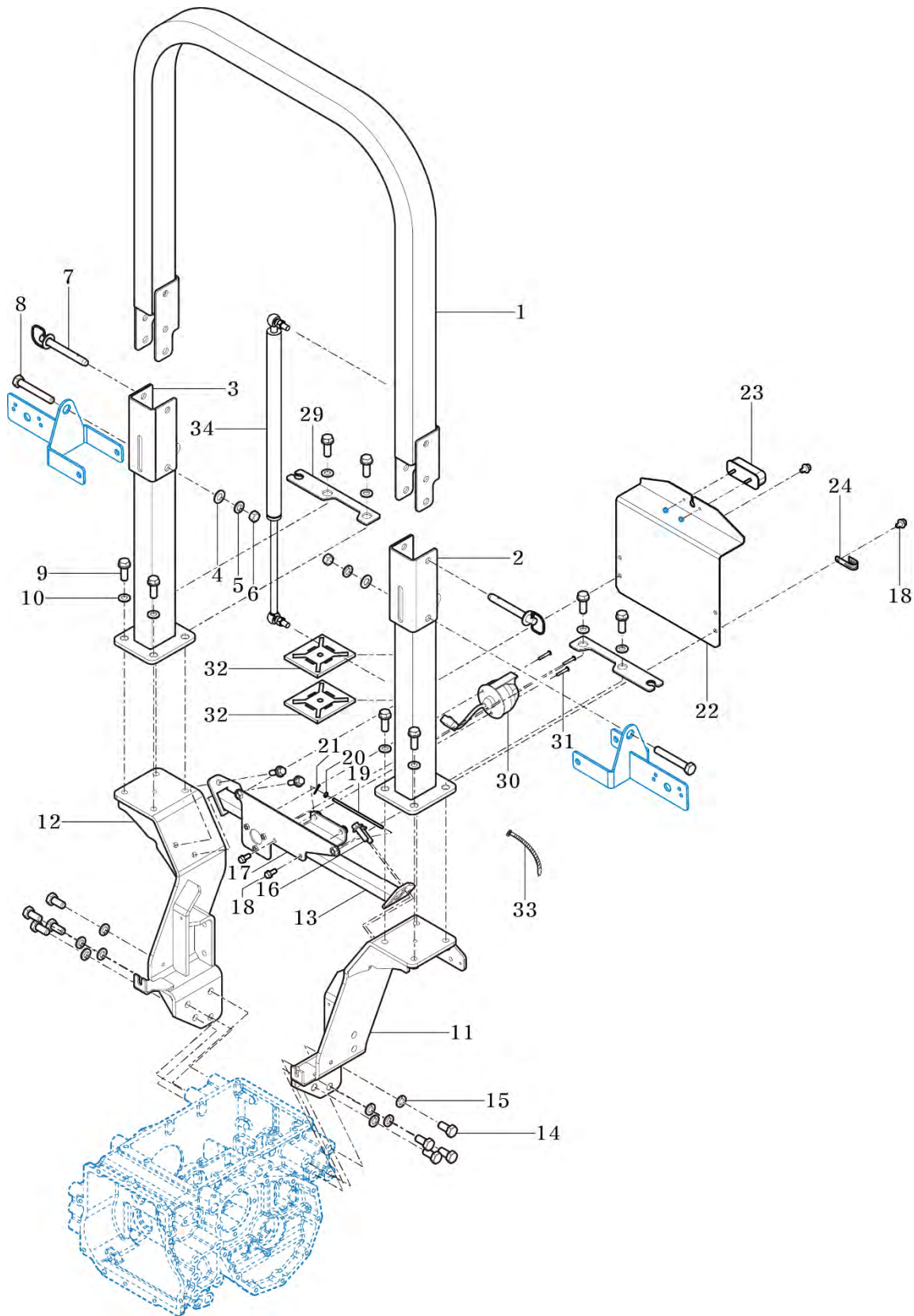
P1

YEAR

2020



Dako 25H



NOTE

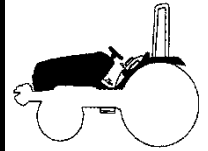
FIG 705

LEVER COVER & FENDER

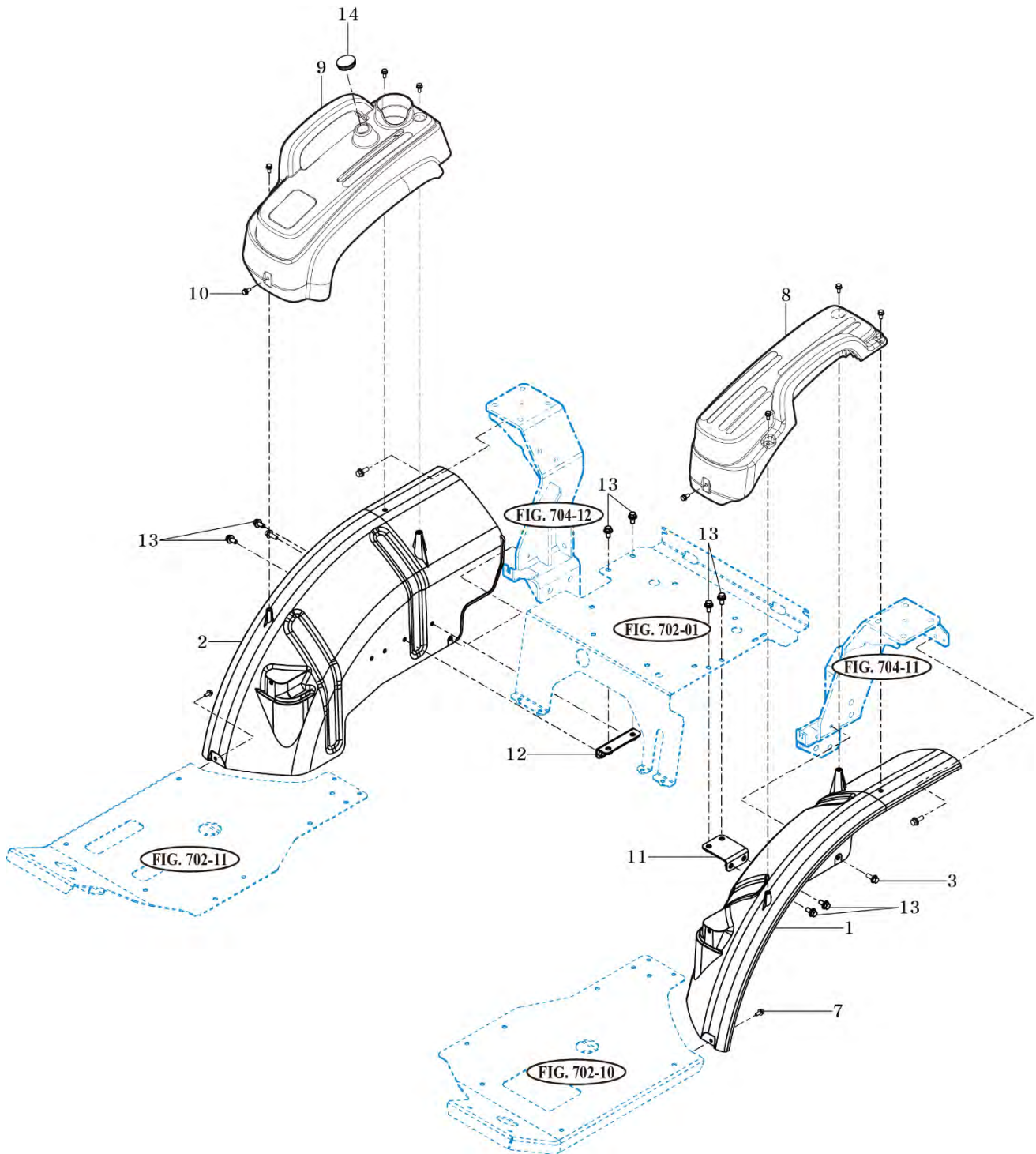
P1

YEAR

2020



Dako 25H



NOTE

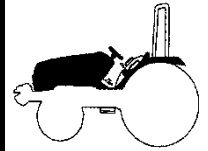
FIG 706

LAMP

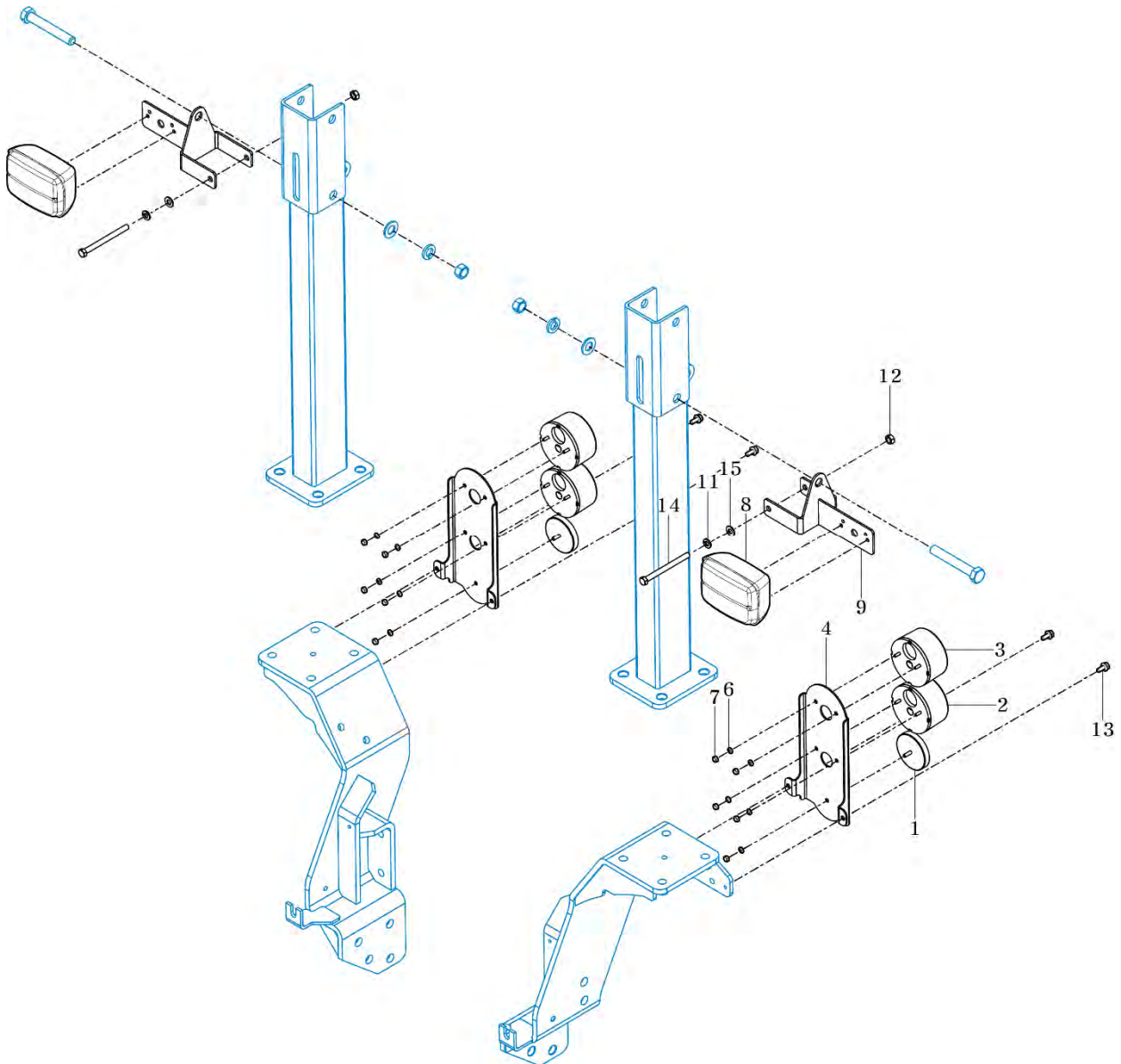
P1

YEAR

2020



DAKO 25H



NOTE

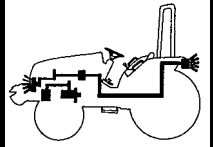
FIG 801

BATTERY MOUNTING

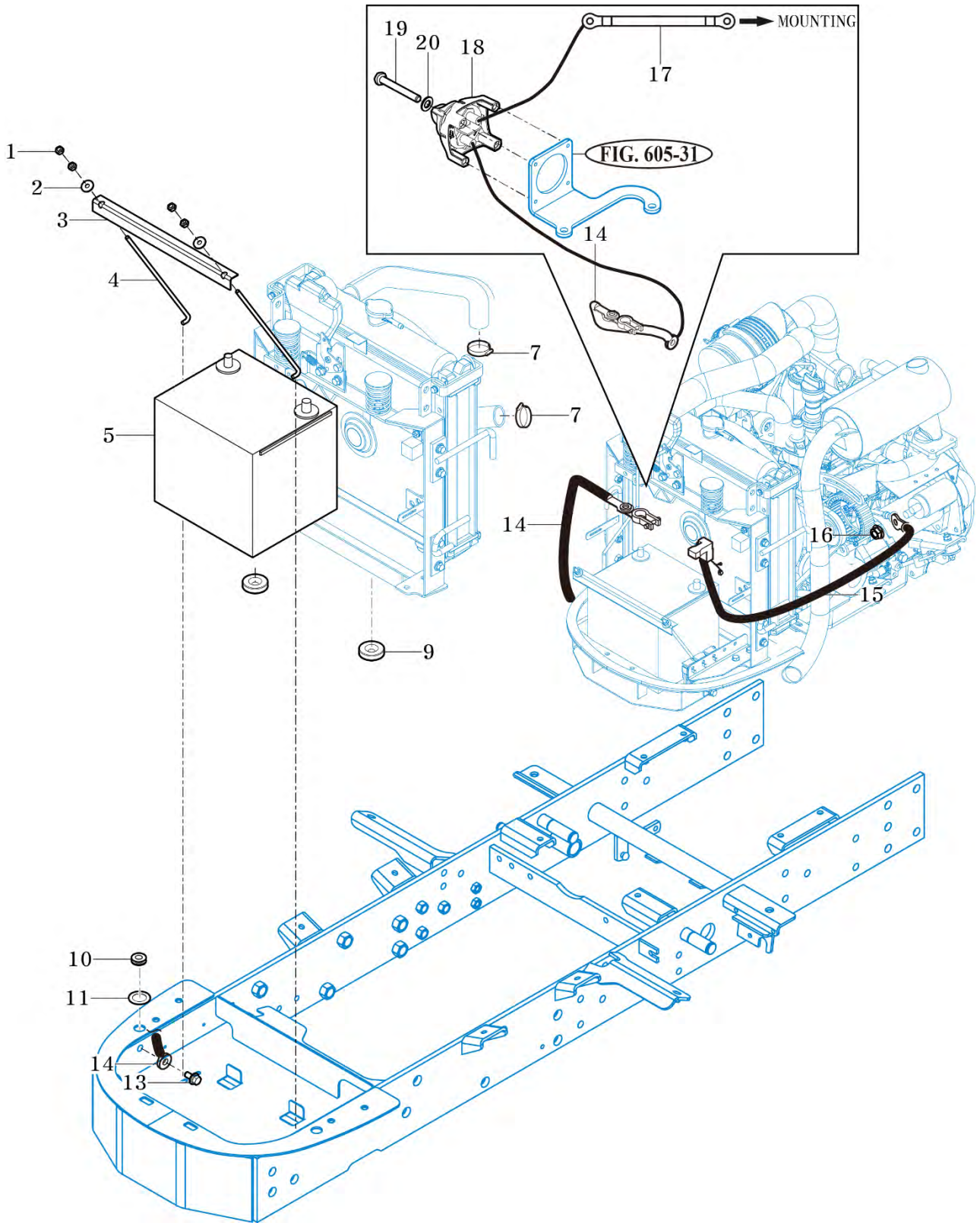
P1

YEAR

2020



DAKO 25H



NOTE

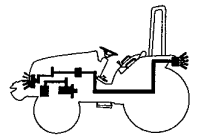
FIG 802

INSTRUMENT PANEL

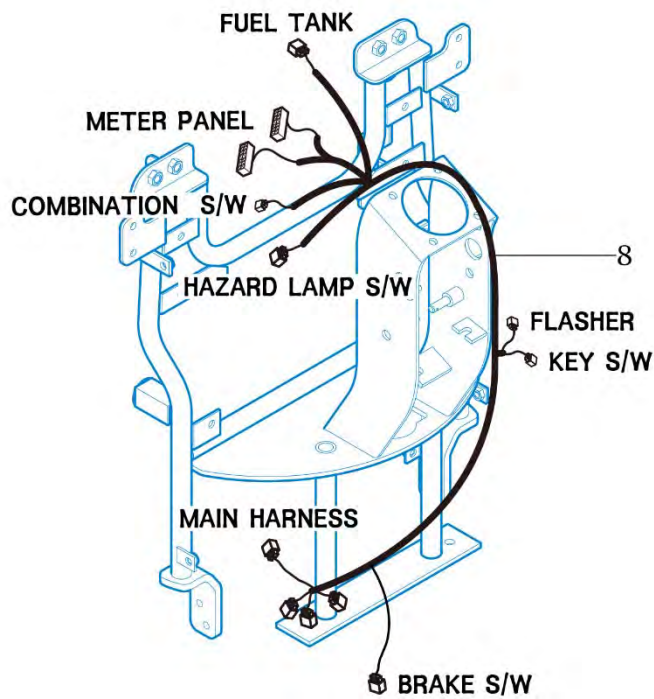
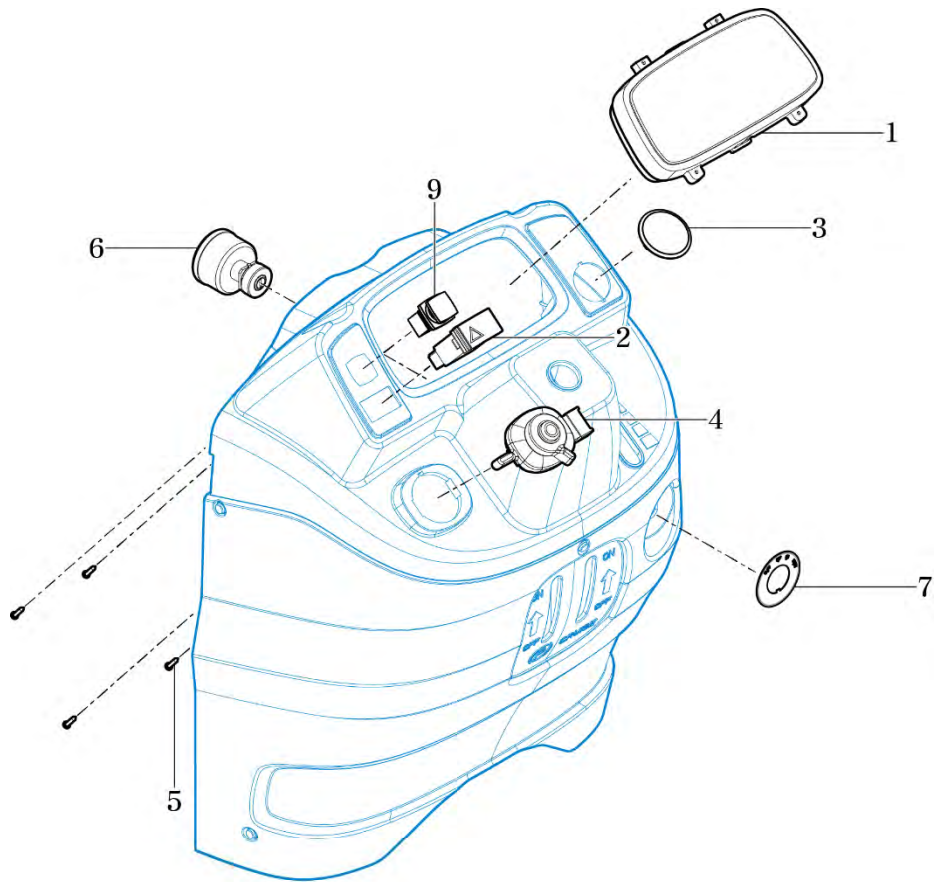
P1

YEAR

2020



DAKO 25H



NOTE

FIG 803

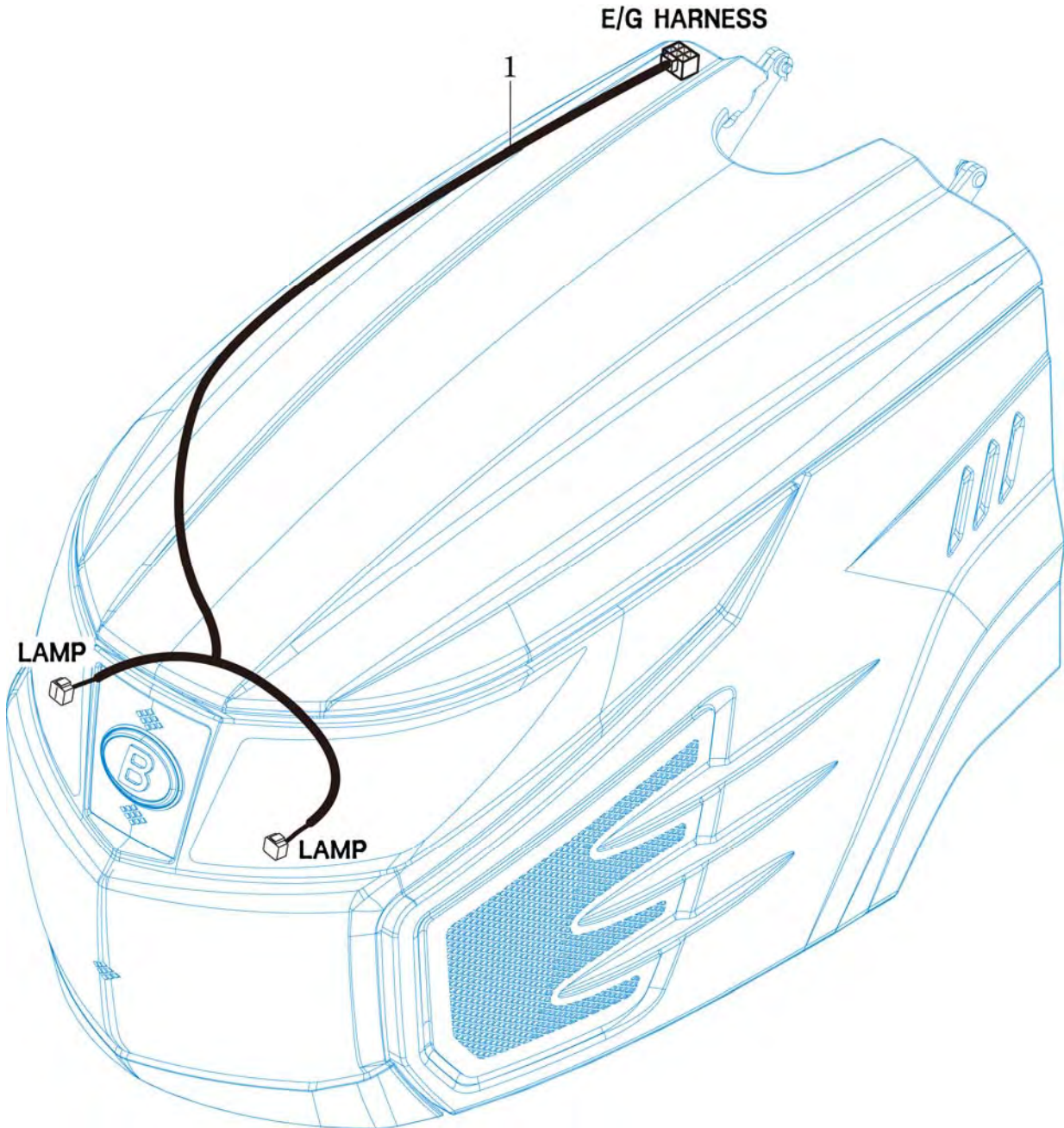
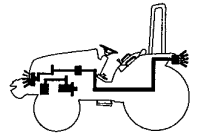
DAKO 25H

HARNESS

P1

YEAR

2020



NOTE

FIG 804

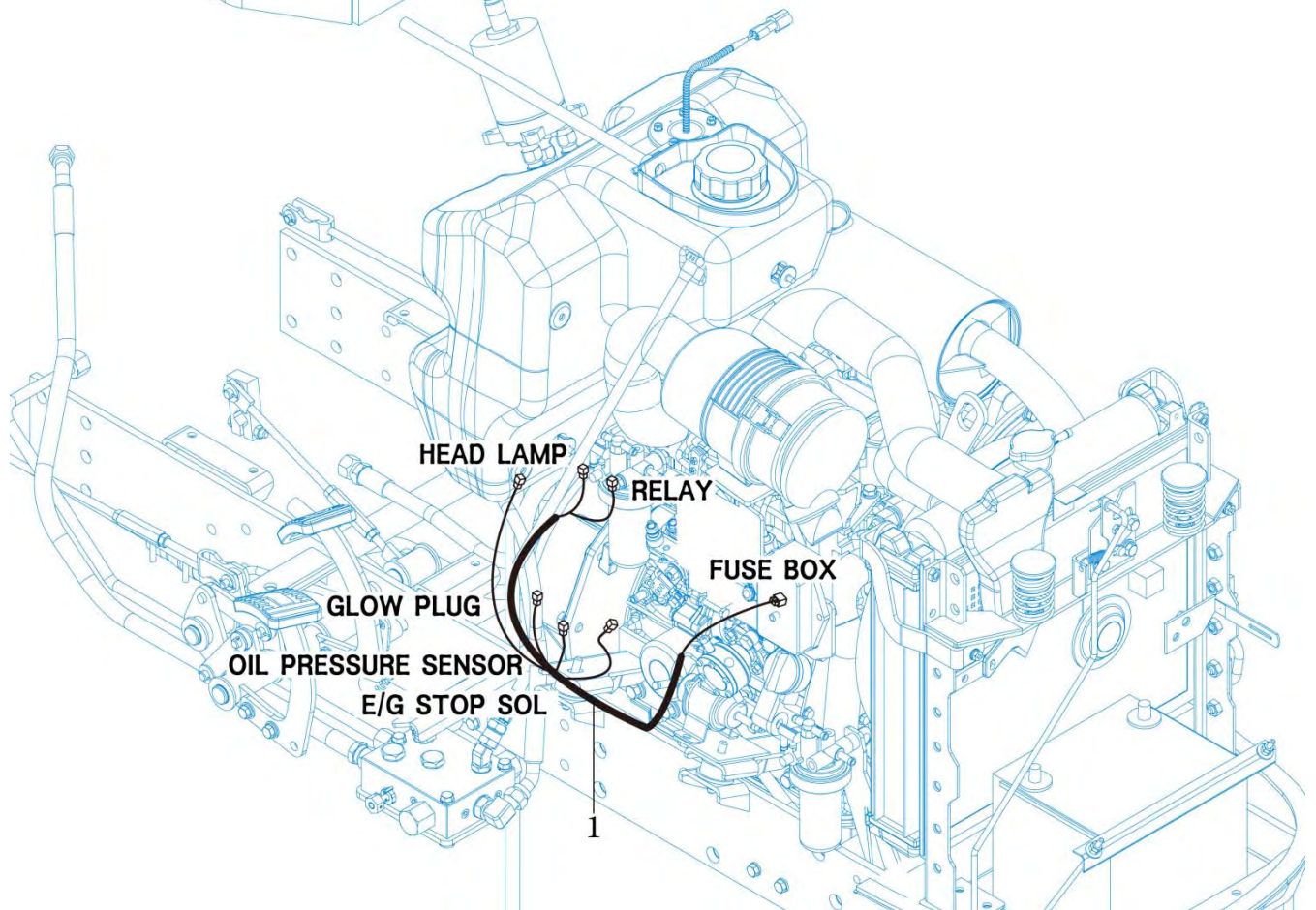
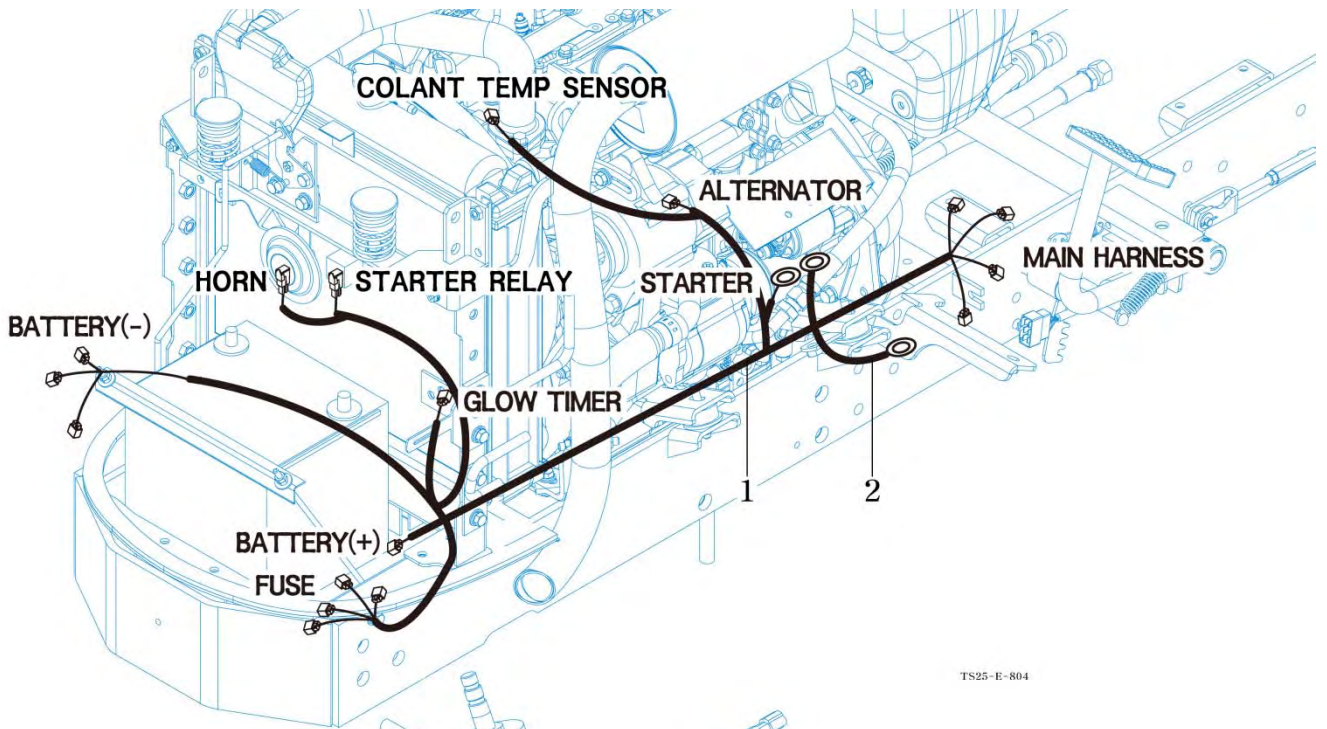
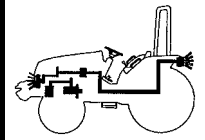
HARNESS

Dako 25H

P1

YEAR

2020



NOTE

FIG 805

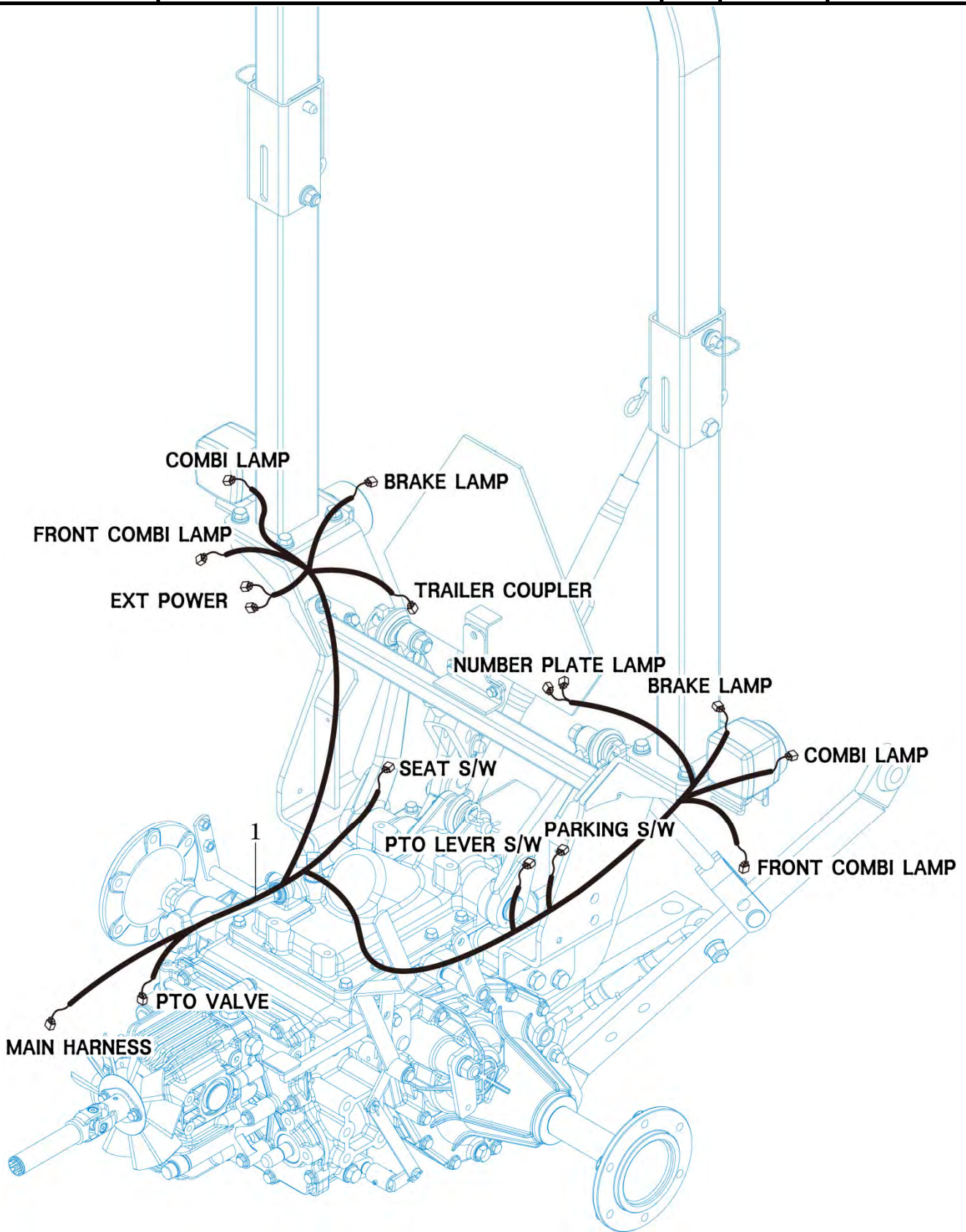
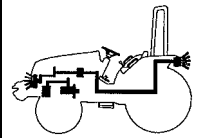
Dako 25H

HARNESS

P1

YEAR

2020



NOTE

FIG 901

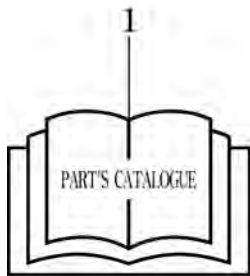
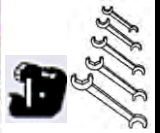
Dako 25H

TOOL & ACCESSORY

P1

YEAR

2020



2505H-U-901

NOTE

FIG 902

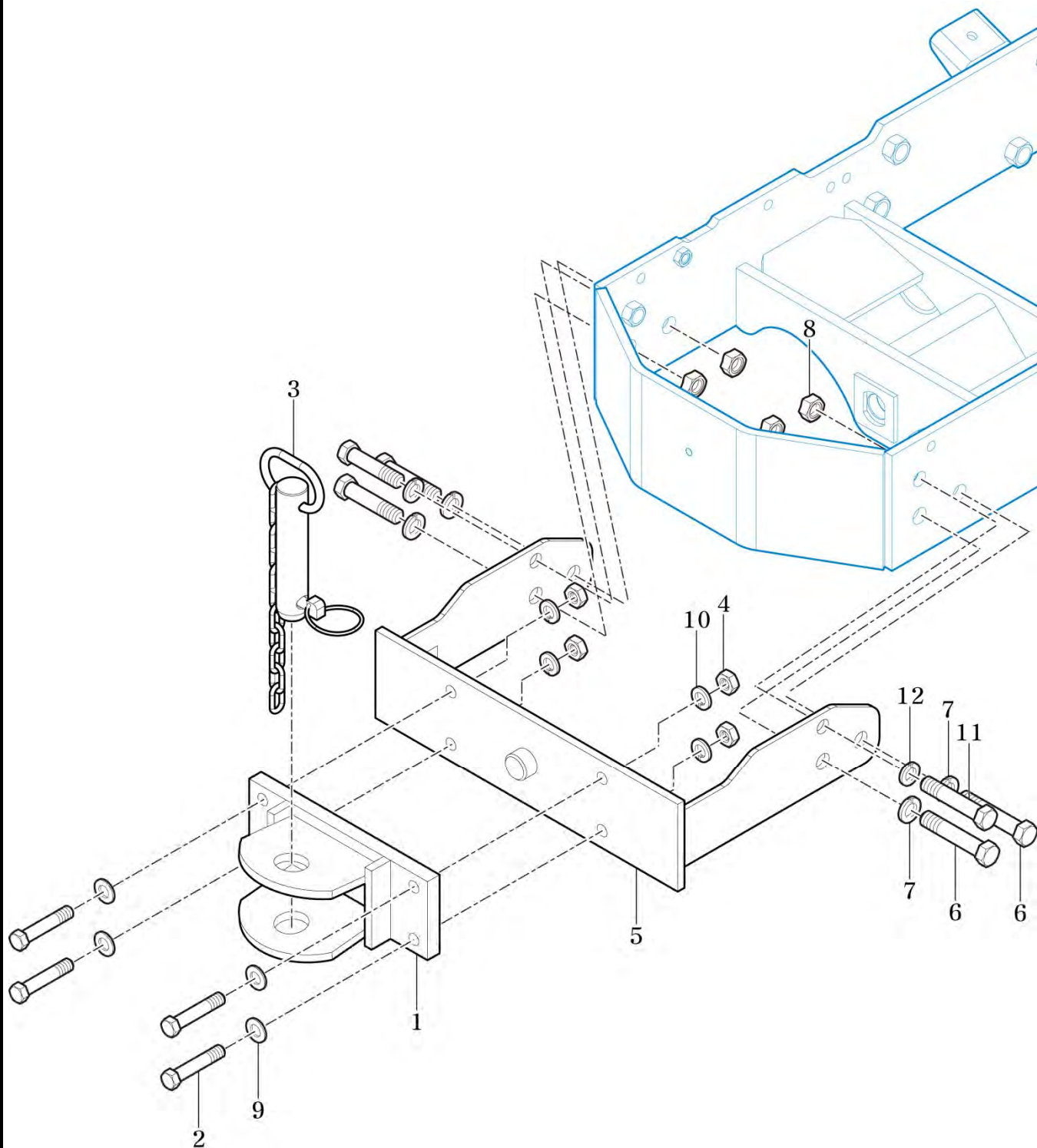
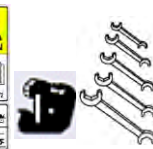
Dako 25H

WEIGHT

P1

YEAR

2020



NOTE

FIG 903

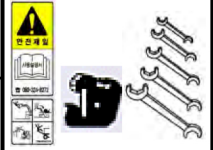
Dako 25H

LABEL

P1

YEAR

2020



WARNING

Additional alteration, cracking, damage or corrosion to this structure may adversely affect the performance of the ROPS.

8

WARNING

Do not use the accelerator lever except working on the field.

9

WARNING

Do not refuel the tractor while operating or near. Disconnect battery or engine. Always stop engine before refueling tractor.

6

WARNING

Always fasten Your seat belt.

11

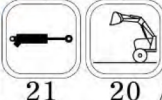


14

WARNING

1. Engage the PTO when work is done.
2. Engage the PTO when the implement is in the field.
3. Engage the PTO when the implement is in the field.
4. Engage the PTO when the implement is in the field.

5



21

20

HOT

19

CAUTION

Keep hands and clothing away from rotating fan and belts to prevent serious injury.

24

WARNING

Do not remove radiator cap while engine is hot. Hot steam will injure you.

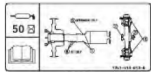
25

Branson

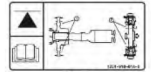
1	2	3	4	5	6	7	8	9	10	11	12	13	14	15	16	17	18	19	20	21	22	23	24	25	26	27	28	29	30	31	32	33	34
---	---	---	---	---	---	---	---	---	----	----	----	----	----	----	----	----	----	----	----	----	----	----	----	----	----	----	----	----	----	----	----	----	----

26

Dako 25h
15



33



34



32

Dako 25h
15

31

WARNING

- Start engine only from operators seat. If safety start switch is bypassed engine can start with transmission in gear.
- Do not connect or short across terminal on starter solenoid.
- Attach booster cables as shown on battery decal and operators manual.

Starting in gear causing runaway can result in serious injury.

23

CAUTION

Do not touch while the system is hot. It cause serious burns.

12

WARNING

Never use the diff-lock at high speed or on the road as this can cause rollover and injury.

7



13

DANGER

Do not ride except operator.

10



4



3



2



1



27

NOTE

FIG 904

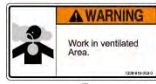
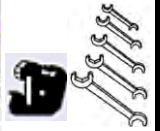
Dako 25H

LABEL

P1

YEAR

2020



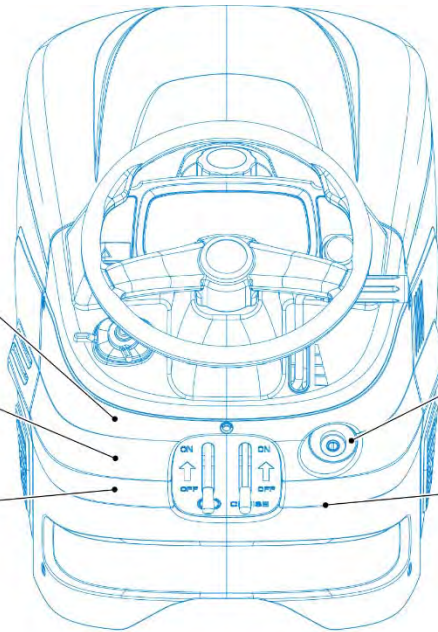
2



6



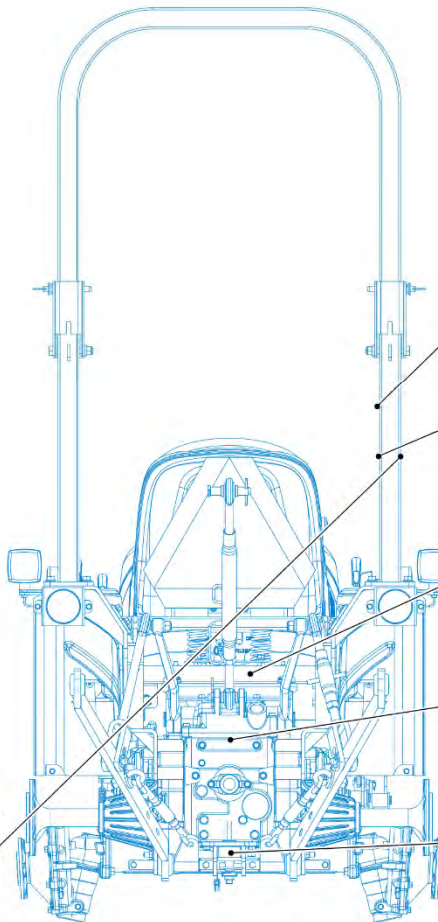
1



10



5



9



8



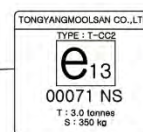
4



3



7



11

NOTE

FIG 905

AUXILIARY VALVE KIT(OPTION)

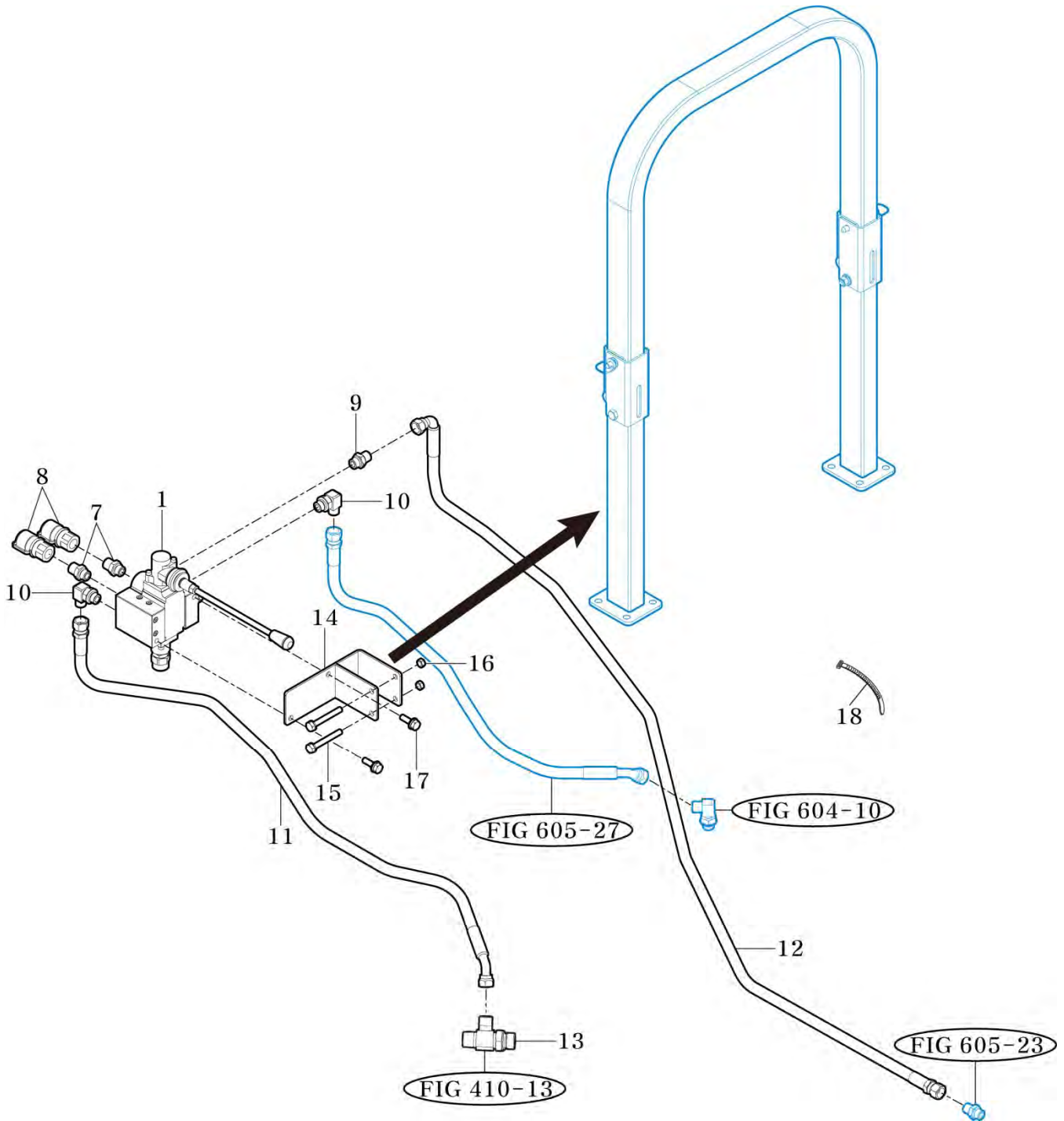
P1

YEAR

2020



Dako 25H



NOTE

