

# LQ Cross

MD-CO-RO-42- Rev. 1.1 - 15/09/2021 - LQ Cross

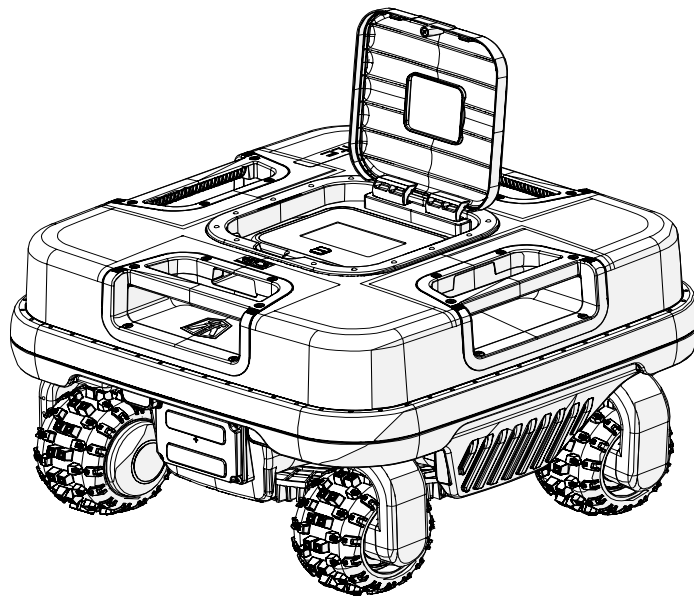
**Spare Parts Catalogue**

|                         |                |
|-------------------------|----------------|
| Previous Revision       | 1.0            |
| <b>Current Revision</b> | <b>1.1</b>     |
| <b>From</b>             | <b>2021-09</b> |

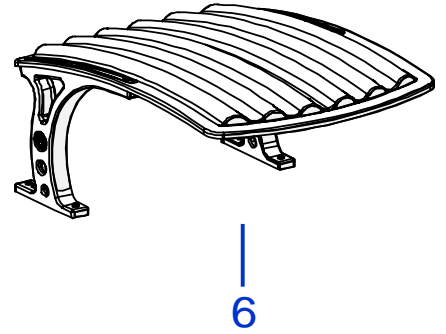
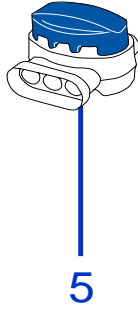
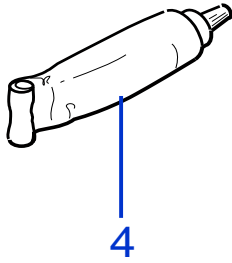
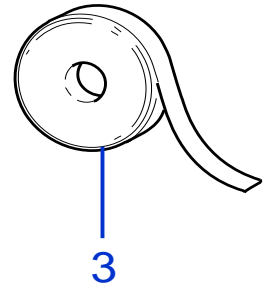
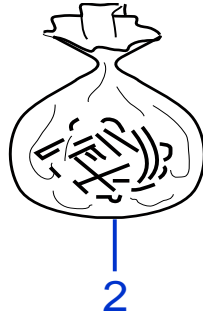
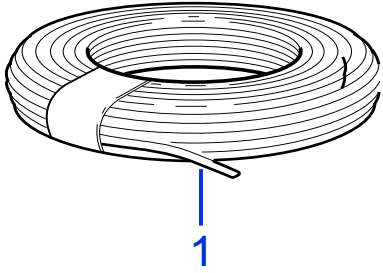
Models Type Included

**B095E0**

**Cross**



***Price List. Only for Italy. Delivery cost not included***  
**Listino al pubblico. Trasporto non incluso**



Tav. **01** **0**  
 Tab.  
 Taf.

(\*) Prezzo soggetto a scontistica diversa .(\*) Price with a different discount  
 Prezzo 22% IVA Inclusa. Price with 22% VAT Included.  
 Prezzo senza IVA. Price without VAT

| Rif. | Code        | Qt.in Robot |         | (IT) Descrizione * (GB) Description | MOQ | Net Price Public Price |
|------|-------------|-------------|---------|-------------------------------------|-----|------------------------|
| 1    | CS_E0002OS  | 1           | MT 100  | Cavo - Cable                        | 1   |                        |
| 1    | CS_E0002    | 1           | MT 150  | Cavo - Cable                        | 1   |                        |
| 1    | CS_E0002_3  | 1           | MT 300  | Cavo - Cable                        | 1   |                        |
| 1    | CS_E0002_5  | 1           | MT 500  | Cavo - Cable                        | 1   |                        |
| 1    | CS_E0002_10 | 1           | MT 1000 | Cavo - Cable                        | 1   | 530,0                  |

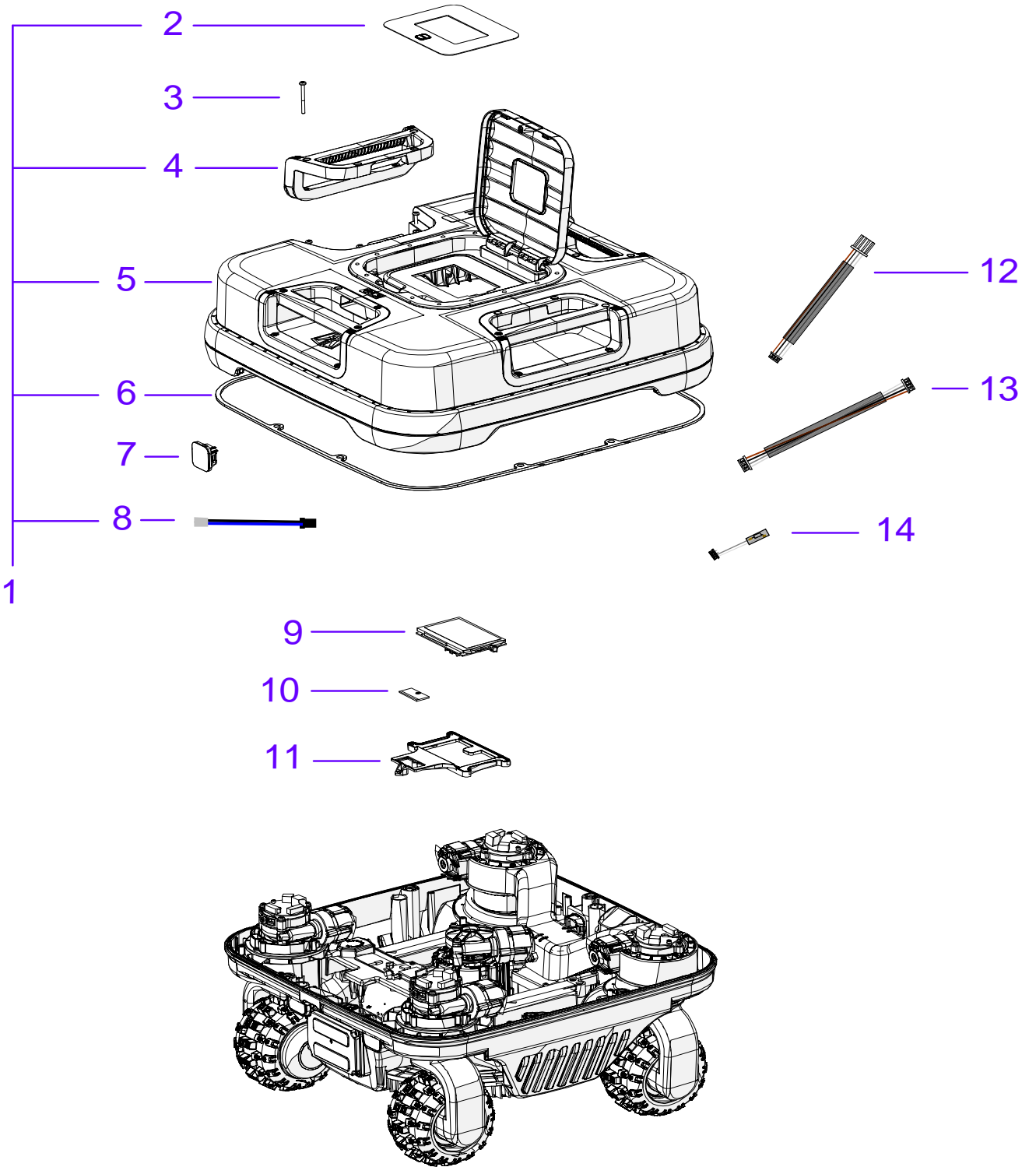
**Consegna in 60 giorni dall'ordine - Delivery Time 60 days from order date**

|   |            |     |           |                                                    |   |              |
|---|------------|-----|-----------|----------------------------------------------------|---|--------------|
| 2 | 200A00100A | 0-1 | (100 Pz ) | Conf. Chiodi - Nails Bag                           | 1 |              |
| 2 | 200A00200A | 0-1 | (200 Pz ) | Conf. Chiodi - Nails Bag                           | 1 |              |
| 3 | CS_C0111   | 0   |           | Nastro Agglomerante - Stretch Electrical Tape      | 1 |              |
| 4 | CS_C0109   | 0   | 200 Gr    | Grasso - Grease                                    | 1 |              |
| 5 | 200A00003  | 1   |           | (3pcs) - Connettore - Connector                    | 1 |              |
| 5 | 200A00001  | 0   |           | (10pcs) - Connettore - Connector                   | 1 |              |
| 5 | 200A00050  | 0   |           | (50pcs) - Connettore - Connector                   | 1 |              |
| 6 | 075Z45800A | 0   |           | Copertura base di ricarica - Docking station cover | 1 | to enduser * |

Solo per rivenditori  
 Only for dealer

| Code      | (IT) Descrizione * (GB) Description                  | MOQ | Net Price |
|-----------|------------------------------------------------------|-----|-----------|
| CS_BT_USB | Convertitore USB-Bluetooth - USB-Bluetooth Converter | 1   | *         |

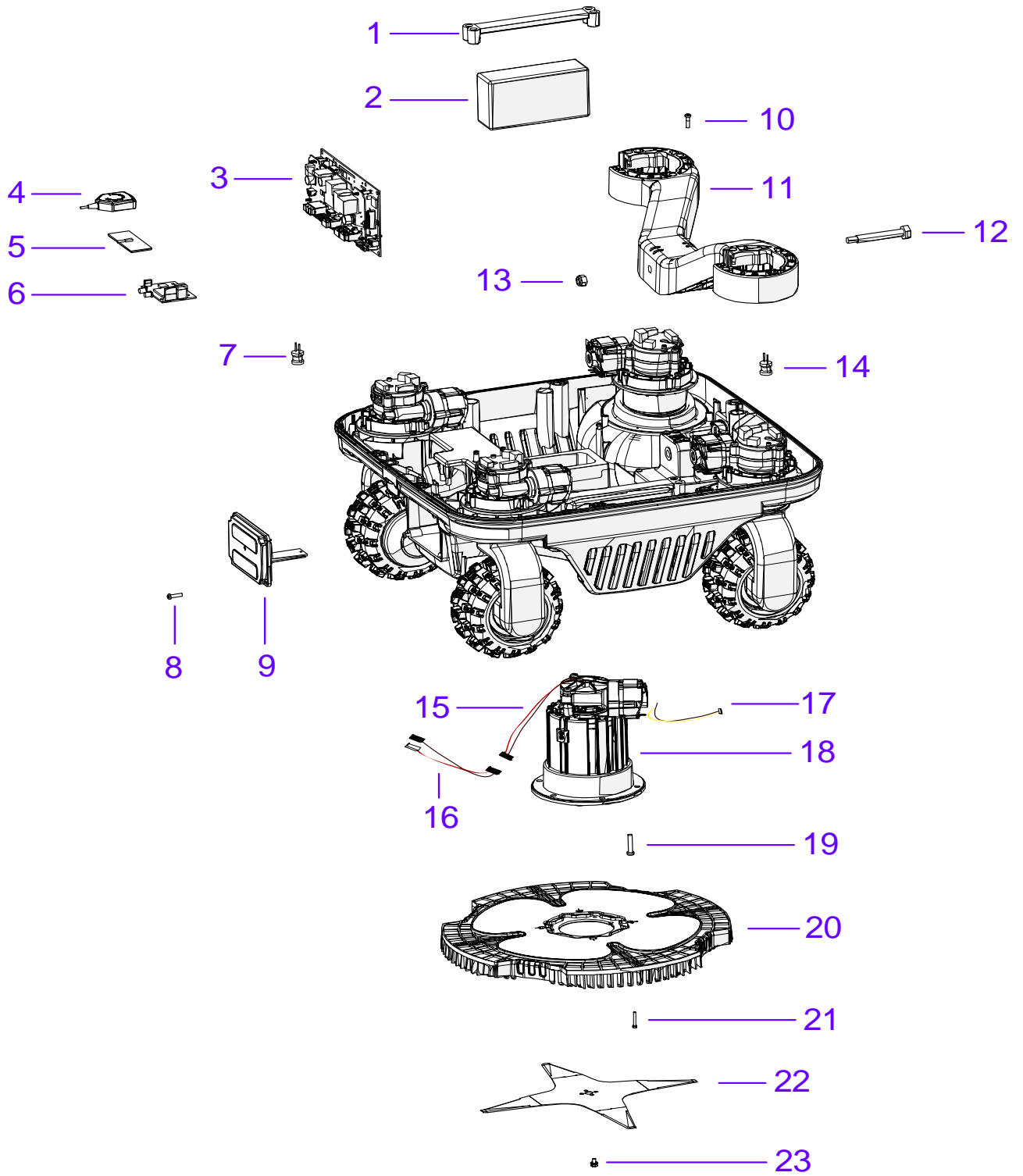




Tav. **02**      **0**  
 Tab.  
 Taf.

(\*) Prezzo soggetto a scontistica diversa .(\*) Price with a different discount  
 Prezzo 22% IVA Inclusa. Price with 22% VAT Included.  
 Prezzo senza IVA. Price without VAT

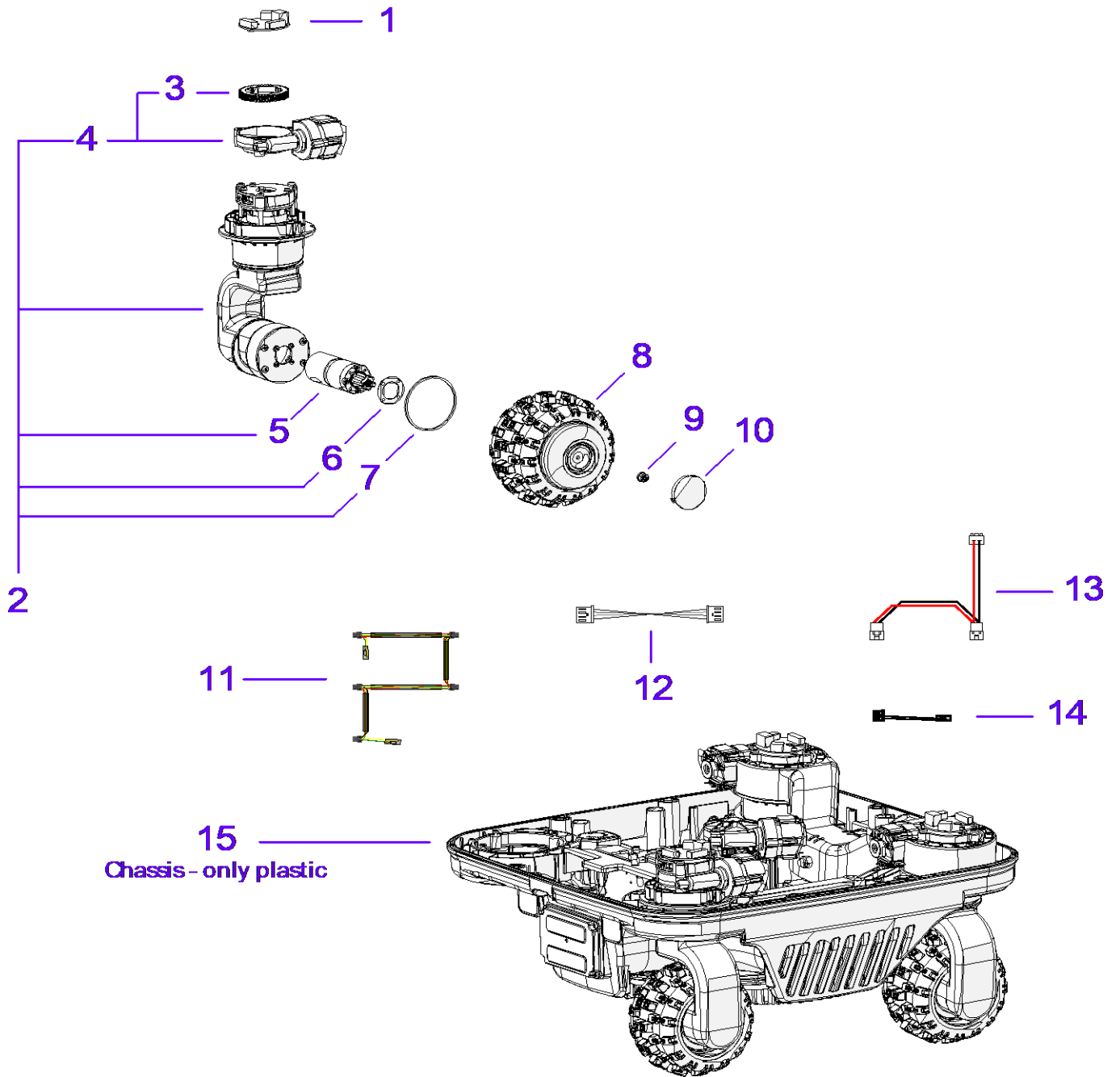
| Rif. | Code         | Qt.in<br>Robot |      | (IT) Descrizione * (GB) Description                     | MOQ | Net Price | Public Price |
|------|--------------|----------------|------|---------------------------------------------------------|-----|-----------|--------------|
| 1    | 075A57500B_R | 1              | Tech | Assieme calotta QUAD Tech Line - Cap set QUAD Tech Line | 1   |           |              |
| 2    | 075Z54300A_R | 1              |      | Tastiera display QUAD - Keyboard QUAD                   | 1   |           |              |
| 3    | C02560       | 8              |      | Vite Torx M4x45 - Torx screw M4x45                      | 10  |           |              |
| 4    | 075Z52800A_R | 4              |      | Maniglia QUAD - Handle QUAD                             | 1   |           |              |
| 5    | 075A53000A_R | 1              | Tech | Calotta con paraurti - Cover with bumper                | 1   |           |              |
| 6    | 075Z51700A   | 1              |      | Guarnizione - Gasket                                    | 1   |           |              |
| 7    | 075Z54700A_R | 4              |      | PCB Radar - PCB Radar                                   | 1   |           |              |
| 8    | CB010_L30    | 1              |      | Cablaggio sensore pioggia - Rain sensor Cabling         | 1   |           |              |
| 9    | 075E01700A_R | 1              |      | Display touch - Display touch                           | 1   |           |              |
| 10   | 075E02800A_R | 1              |      | Sensore tasto STOP - STOP button sensor                 | 1   |           |              |
| 11   | 075Z53400A_R | 1              |      | Supposto display - Display support                      | 1   |           |              |
| 12   | 075CB05.03   | 1              |      | Cablaggio AM4000 - Radar - Cabling AM4000 - Radar       | 1   |           |              |
| 13   | 075CB06.03   | 1              |      | Cablaggio Radar - Radar -                               | 1   |           |              |
| 14   | 075CB07.01   | 1              |      | Terminatore CAN Radar - Radar CAN Terminator            | 1   |           |              |



Tav. **03**      **0**  
 Tab.  
 Taf.

(\*) Prezzo soggetto a scontistica diversa .(\*) Price with a different discount  
 Prezzo 22% IVA Inclusa. Price with 22% VAT Included.  
 Prezzo senza IVA. Price without VAT

| Rif. | Code         | Qt.in Robot | (IT) Descrizione * (GB) Description                 | MOQ | Net Price | Public Price |
|------|--------------|-------------|-----------------------------------------------------|-----|-----------|--------------|
| 1    | 051Z14700A   | 2           | Staffa batteria - battery bracket                   | 1   |           |              |
| 2    | 075Z60900A   | 2           | Batteria - Battery                                  | 1   |           | *            |
| 3    | 075E02500A_R | 1           | Scheda madre QUAD - QUAD motherboard                | 1   |           |              |
| 4    | C01219_R     | 1           | Antenna GPS - GPS Antenna                           | 1   |           |              |
| 5    | C02455_R     | 1           | Antenna GSM - GSM Antenna                           | 1   |           |              |
| 6    | 015E00800A_R | 1           | Modulo Connect 2G - Connect Module 2G               | 1   |           |              |
| 7    | 110E00700A   | 2           | Bobina - Coil                                       | 1   |           |              |
| 8    | C02548       | 4           | Vite Torx 4X16-A2 - Torx screw 4X16-A2              | 10  |           |              |
| 9    | 075Z50100A_R | 1           | Modulo contatto ricarica - Contact recharge module  | 1   |           |              |
| 10   | C02356       | 14          | Vite Torx 4X16-A2 - Torx screw 4X16-A2              | 10  |           |              |
| 11   | 075Z50500A_R | 1           | Bilanciere - Balancer                               | 1   |           |              |
| 12   | 075Z49000A   | 1           | Perno cerniera - Hinge pin                          | 1   |           |              |
| 13   | C01486       | 1           | Dado M8 - Nut M8                                    | 10  |           |              |
| 14   | 051E01400A   | 2           | Bobina - Coil                                       | 1   |           |              |
| 15   | 051CB05.00   | 1           | Cablaggio motore - Motor wiring                     | 1   |           |              |
| 16   | 051CB04.01   | 1           | Adattatore cablaggio motore - Motor cabling adapter | 1   |           |              |
| 17   | 400CB03.01   | 1           | Alzalama cablaggio - Blade raiser wiring            | 1   |           |              |
| 18   | 075Z57300A_R | 1           | Assieme motore lama - Blade motor assembly          | 1   |           |              |
| 19   | C02547       | 6           | Vite Torx 5X25-A2 - Torx screw 5X25-A2              | 10  |           |              |
| 20   | 075Z51300A_R | 1           | Protezione lama - Blade guard                       | 1   |           |              |
| 21   | C02172       | 4           | Vite - Screw                                        | 10  |           |              |
| 22   | 075Z56500A_R | 1           | Lama piegata 4 punte - 4 knife blade                | 1   |           |              |
| 23   | C00212       | 4           | Vite - Screw                                        | 100 |           |              |

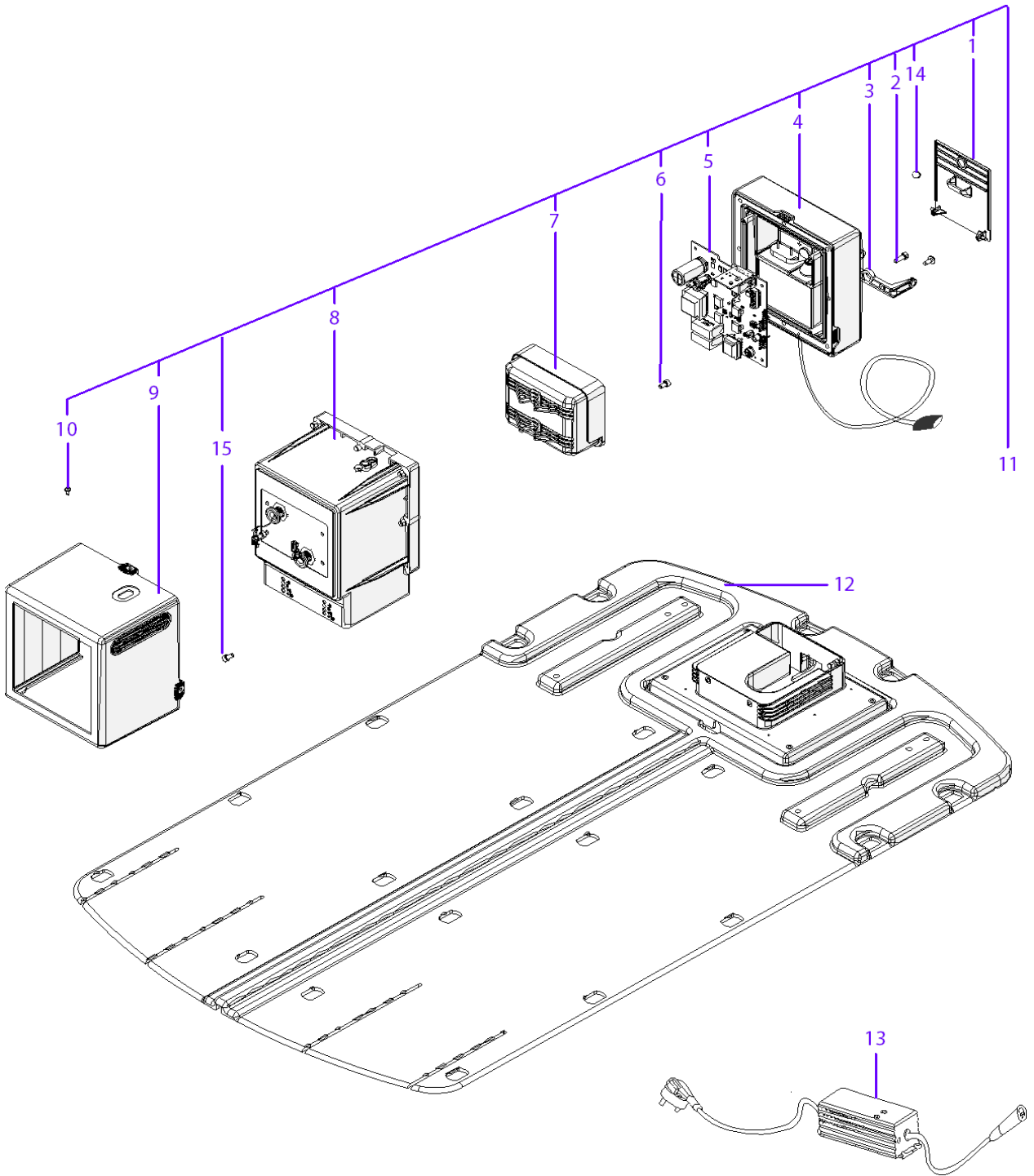




Tav. **04**      **0**  
 Tab.  
 Taf.

(\*) Prezzo soggetto a scontistica diversa .(\*) Price with a different discount  
 Prezzo 22% IVA Inclusa. Price with 22% VAT Included.  
 Prezzo senza IVA. Price without VAT

| Rif. | Code         | Qt.in Robot | (IT) Descrizione * (GB) Description                      | MOQ | Net Price | Public Price |
|------|--------------|-------------|----------------------------------------------------------|-----|-----------|--------------|
| 1    | 075E02000A_R | 4           | Scheda driver - Driver board                             | 1   |           |              |
| 2    | 075Z47500B_R | 4           | Assieme modulo ruota - Wheel module assembly             | 1   |           |              |
| 3    | 075Z48400A   | 4           | Ruota dentata - Gear                                     | 1   |           |              |
| 4    | 075Z48600A_R | 4           | Motore sterzo - Steering motor                           | 1   |           |              |
| 5    | 075Z60400A_R | 4           | Motore ruota - Wheel motor                               | 1   |           |              |
| 6    | 015Z14700A   | 4           | Guarnizione - Gasket                                     | 10  |           |              |
| 7    | 015Z14800B   | 4           | Guarnizione - Gasket                                     | 10  |           |              |
| 8    | 075Z49700B_R | 4           | Ruota trazione - Traction wheel                          | 1   |           |              |
| 9    | C00128       | 4           | Dado - Nut                                               | 10  |           |              |
| 10   | 075Z51900A   | 4           | Tappo ruota - Wheel plug                                 | 1   |           |              |
| 11   | 075CB01.03   | 1           | Cabl. CAN driver - AM4000 - CAN cable - driver to AM4000 | 1   |           |              |
| 12   | 042CB01.01   | 2           | Cablaggio - Wire                                         | 1   |           |              |
| 13   | 050CB01.01   | 1           | Cablaggio batteria - Battery cable                       | 1   |           |              |
| 14   | 110E01100A   | 1           | Cablaggio Terminazione CAN - CAN termination cable       | 1   |           |              |
| 15   | 075Z53500A_R | 1           | Scocca - Chassis                                         | 1   |           |              |



Tav. **05**      **0**  
 Tab.  
 Taf.

(\*) Prezzo soggetto a scontistica diversa .(\*) Price with a different discount  
 Prezzo 22% IVA Inclusa. Price with 22% VAT Included.  
 Prezzo senza IVA. Price without VAT

| Rif. | Code       | Qt.in Robot | (IT) Descrizione * (GB) Description                 | MOQ | Net Price | Public Price |
|------|------------|-------------|-----------------------------------------------------|-----|-----------|--------------|
| 1    | 042Z37200A | 1           | Coperchio posteriore - Back cap                     | 1   |           |              |
| 2    | C02172     | 8           | Vite - Screw                                        | 10  |           |              |
| 3    | 042Z24500A | 1           | Fermacavo - Cable clamp                             | 1   |           |              |
| 4    | 042Z27300A | 1           | Chiusura base ricarica - Docking Station Closing    | 1   |           |              |
| 5    | 042E00500A | 1           | Trasmittitore - Trasmittiter                        | 1   |           |              |
| 6    | C02224     | 4           | Vite - Screw                                        | 10  |           |              |
| 7    | 042Z24800A | 1           | Gruppo contatti ricarica - Recharging contact group | 1   |           |              |
| 8    | 042Z44500A | 1           | Torretta base di ricarica - Docking Station Tower   | 1   |           |              |
| 9    | 042D00070A | 1           | Copertura torretta - Tower cover                    | 1   |           |              |
| 10   | C02244     | 3           | Vite - Screw                                        | 10  |           |              |
| 11   | 042A00110A | 1           | Box trasmettitore (Nero) - Transmitter box (Black)  | 1   |           |              |
| 12   | 042Z52800A | 1           | Pianale - Floor                                     | 1   |           |              |
| 13   | ELG-240-30 | 1           | (8A) Caricabatteria - Battery Charger               | 1   |           |              |
| 14   | 042Z32000A | 1           | Magnete - Magnet                                    | 1   |           |              |
| 15   | C00908     | 2           | Vite - screw                                        | 10  |           |              |