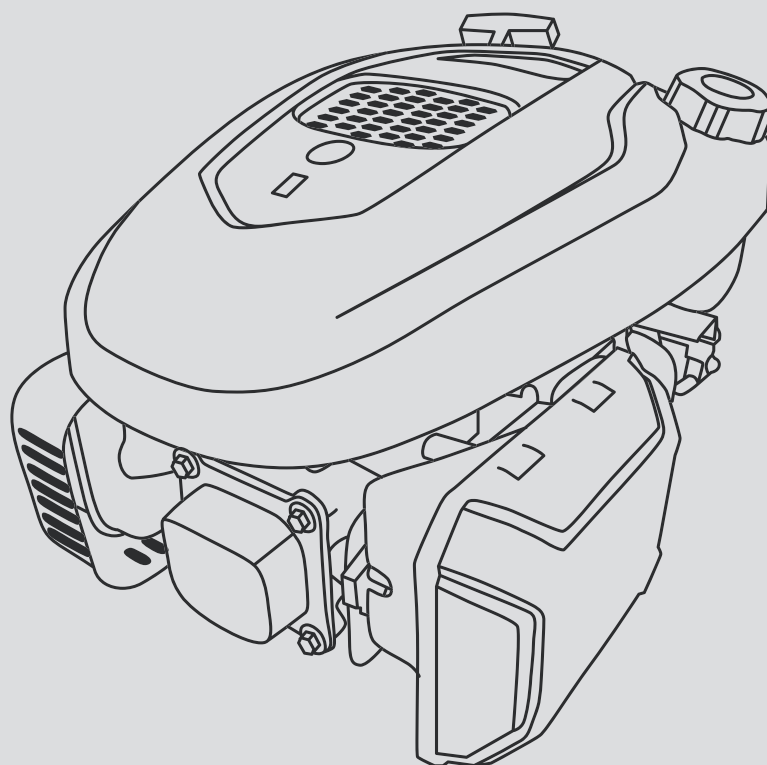


**CAIMAN**



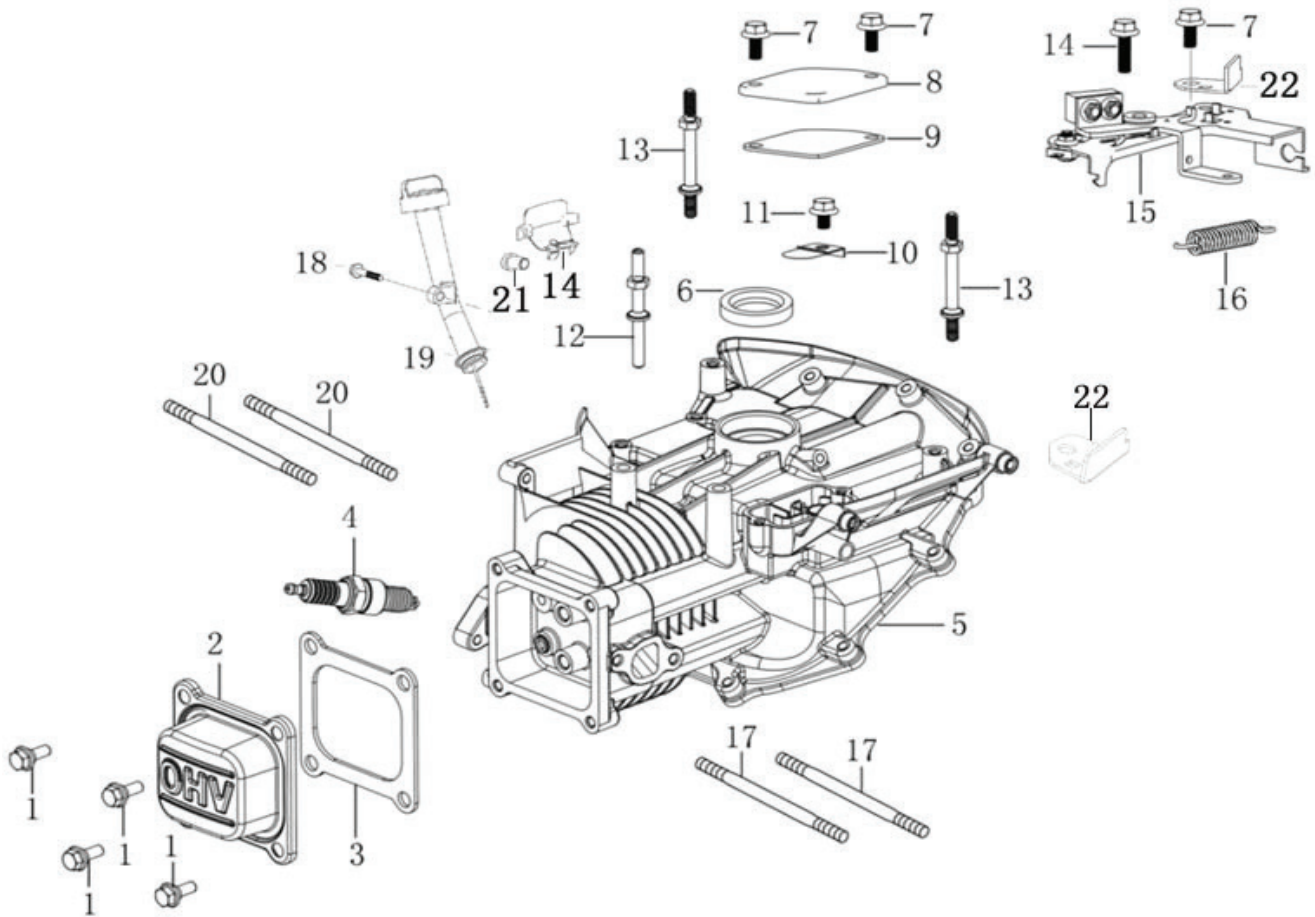
**GREEN ENGINE**

**4-тактный двигатель  
Caiman Green Engine 166CC**



# CAIMAN

## CRANK CASE

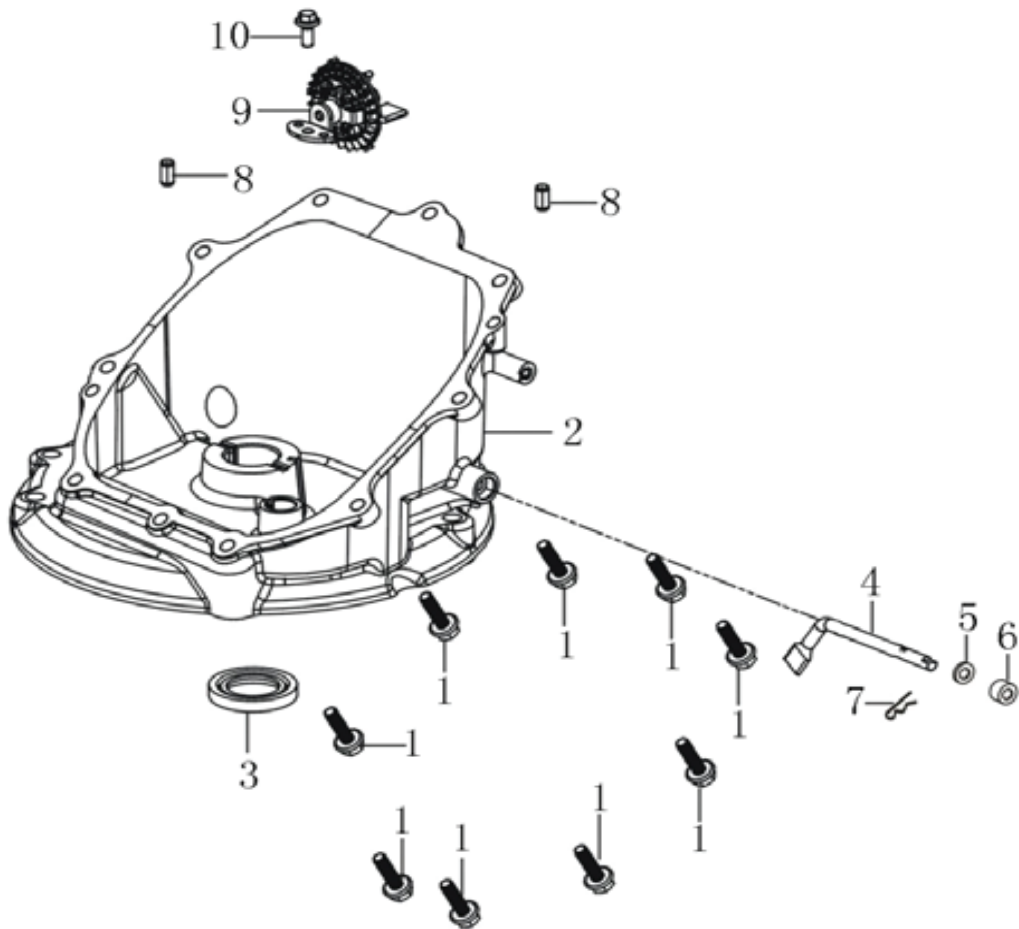


# **CAIMAN**

<b>N°</b>	<b>Description</b>	<b>Part Number</b>	<b>Qty (UOM)</b>
1	Hexagon shaft shoulder bolt	U065-FA001	4
2	Cylinder head cover	U065-FE002	1
3	Gasket for cylinder head cover	U065-FE003	1
4	Spark plug	U065-FA004	1
5	Crankcase body	U065-FE001	1
6	Oil seal	U065-FA016	1
7	Hexagon bolt with flange	U065-FA097	3
8	CAP, BREATHER CHAMBER	U065-FE084	1
9	PACKING, BREATHER CHAMBER	U065-FE085	1
10	Leaf valve	U065-FE141	1
11	Hexagon bolt with flange	U065-FE086	1
12	Stay stud	U065-FE054	1
13	Stay stud	U065-FE052	2
14	Side plate	U065-FE130	1
15	Engine brake	U065-FE131	1
16	Tension spring	U065-FE088	1
17	Stud	U065-FE089	2
18	Hexagon bolt with flange	U065-FA044	1
19	Oil rule combination	U065-FE132	1
20	Stud	U065-FE087	2
21	Bushing	U065-FE133	1
22	Side plate	U065-FE134	1

# CAIMAN

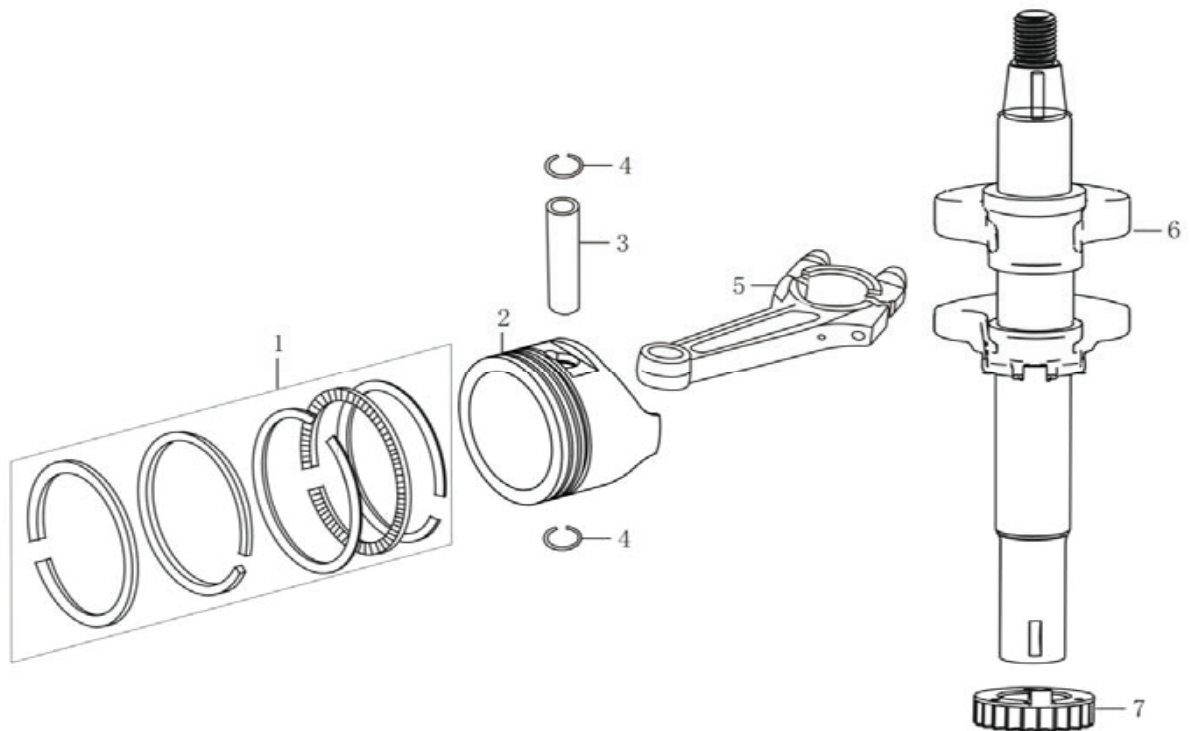
## CRANK CASE COVER



N°	Description	Part Number	Qty (UOM)
1	Hexagon bolt with flange	U065-FE091	9
2	Crankcase cover	U065-FE092	1
3	Oil seal	U065-FA033	1
4	Speed regulating arm	U065-FE093	1
5	Flat washer	U065-FA027	1
6	Oil seal	U065-FA028	1
7	Pin clip	U065-FA029	1
8	Location pin	U065-FE094	2
9	Components of governor gear	U065-FE095	1
10	Hexagon bolt with flange	U065-FE016	1

# CAIMAN

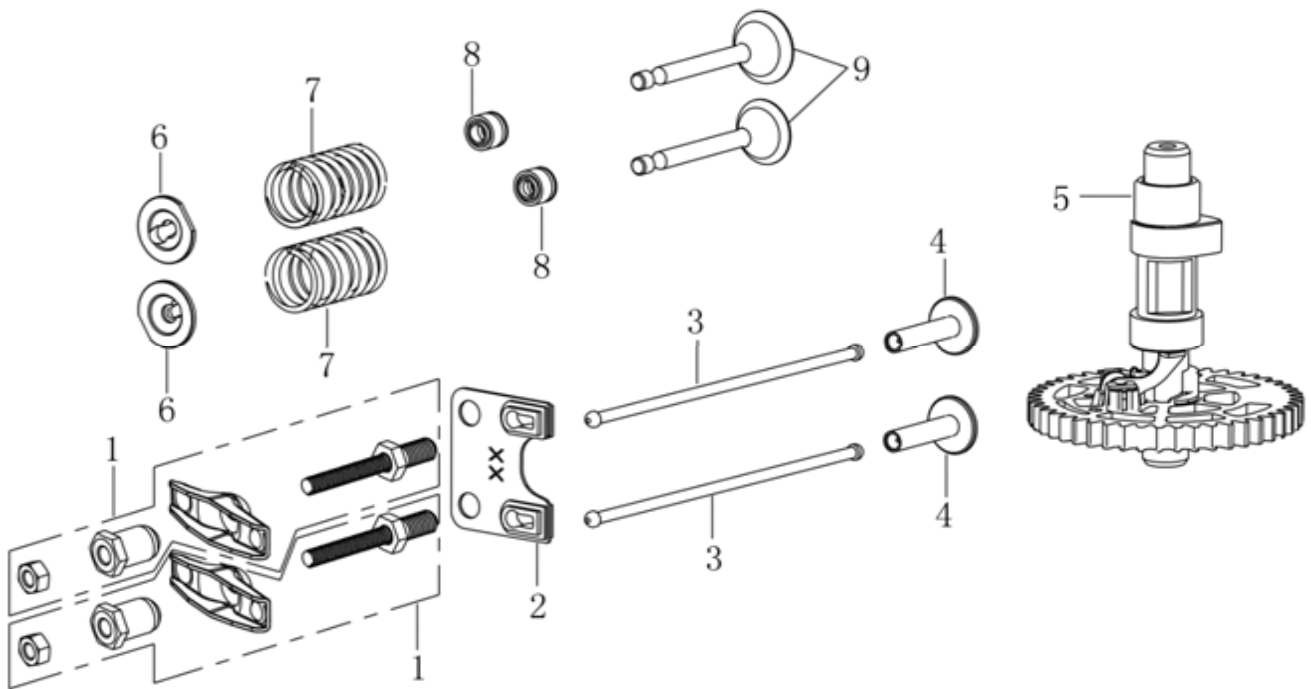
## CRANKSHAFT/PISTON



N°	Description	Part Number	Qty (UOM)
1	Piston ring combination	U065-FE096	1
2	Piston	U065-FE097	1
3	Piston pin	U065-FA047	1
4	Steel cable baffle ring	U065-FA048	2
5	Connecting rod	U065-FE098	1
6	Crankshaft	U065-FE099	1
7	Timing driving wheel	U065-FE100	1

# CAIMAN

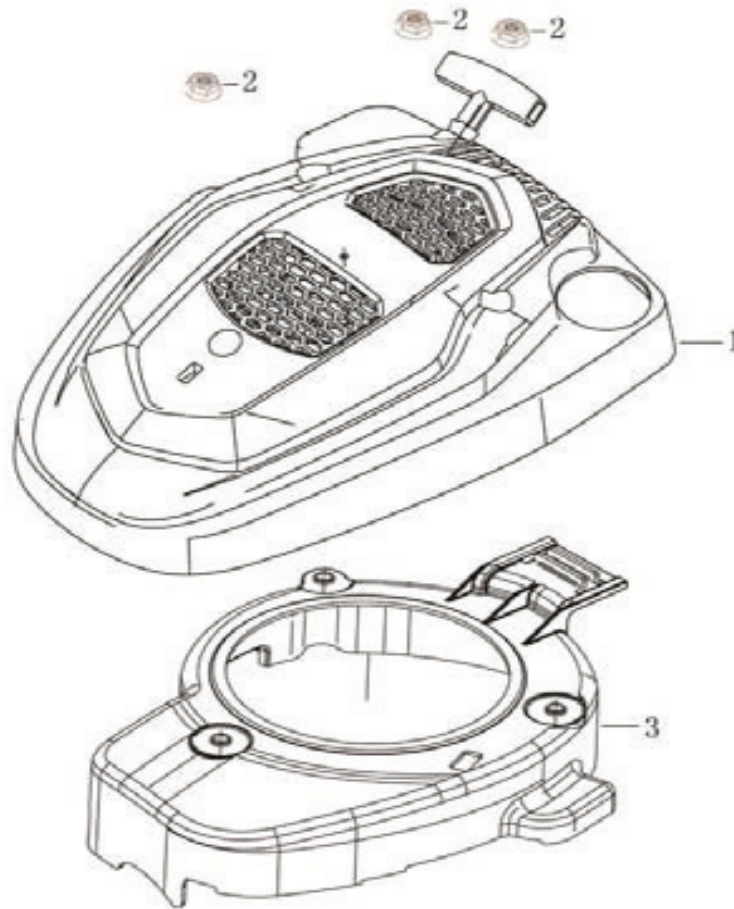
## CAMSHAFT



N°	Description	Part Number	Qty (UOM)
1	Valve rocker combination	U065-FE004	2
2	Plate, push rod guide	U065-FE101	1
3	Push rod	U065-FA058	2
4	Lifter, Valve	U065-FE103	2
5	Camshaft assy	U065-FE104	1
6	Retainer, valve spring	U065-FA054	2
7	Inner spring of valve	U065-FE007	2
8	Valve oil seal	U065-FE102	2
9	Valve Kit	U065-FA056	1

# CAIMAN

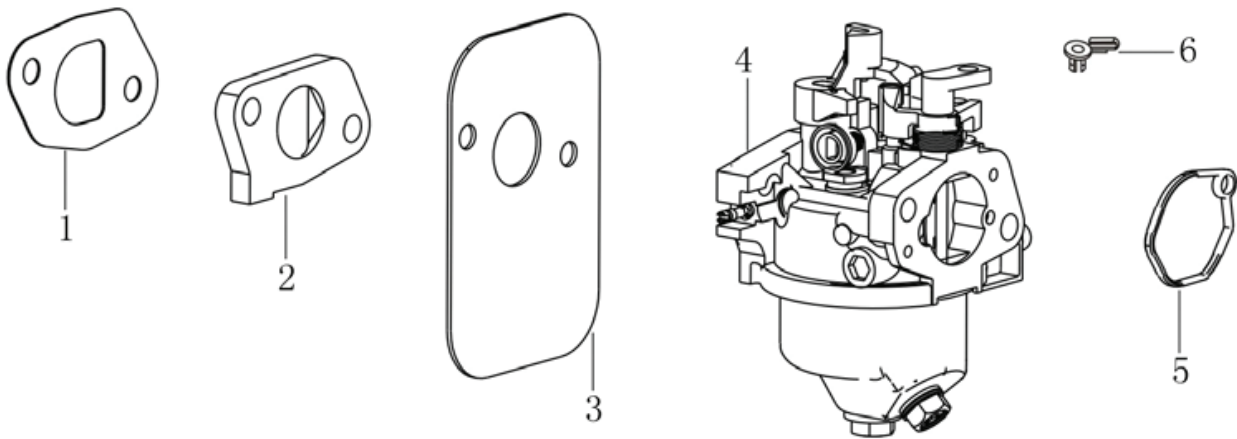
## STARTER



N°	Description	Part Number	Qty (UOM)
1	Manual starting assembly	U065-FE135	1
2	Hexagon nut with flange	U065-FA065	3
3	Fan cover comp.	U065-FE107	1

# CAIMAN

## CARBURETOR

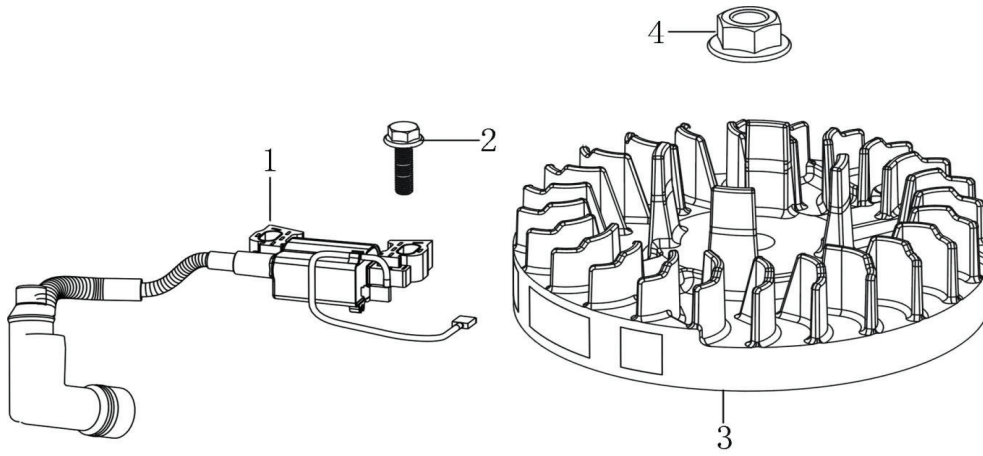


N°	Description	Part Number	Qty (UOM)
1	Carburetor gasket	U065-FA074	1
2	Heat insulating pad for carburetor	U065-FE108	1
3	Heat insulating plate for carburetor	U065-FE061	1
4	Carburetor	U065-FE109	1
5	Carburetor gasket	U070-FA039	1
6	Locker of choke valve pull rob	U065-FA073	1



# CAIMAN

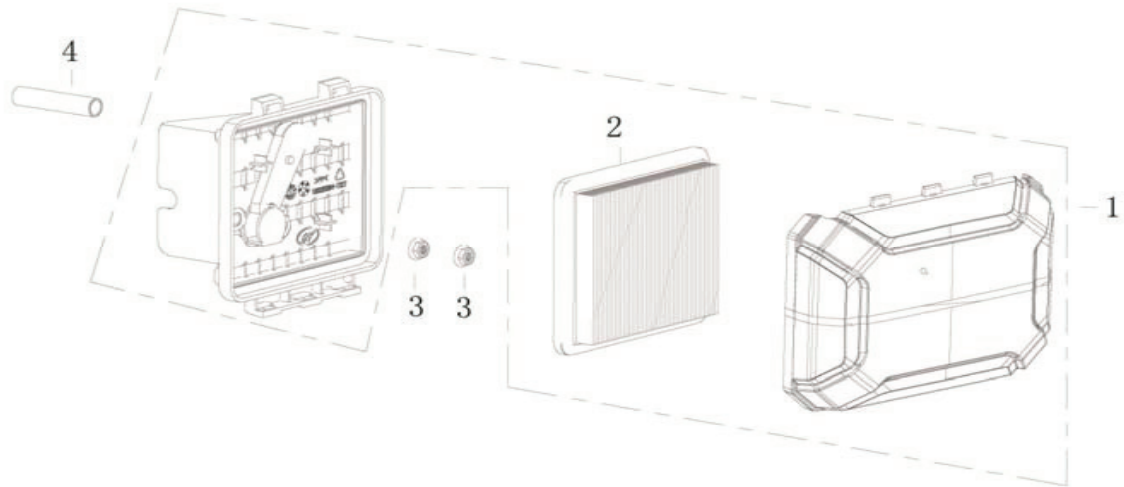
## FLYWHEEL



N°	Description	Part Number	Qty (UOM)
1	COIL ASSY., IGNNTION	U065-FE110	1
2	Hexagon bolt with flange	U065-FE091	1
3	FLYWHEEL COMP	U065-FE136	1
4	Hexagon nut with flange	U065-FA085	1

# CAIMAN

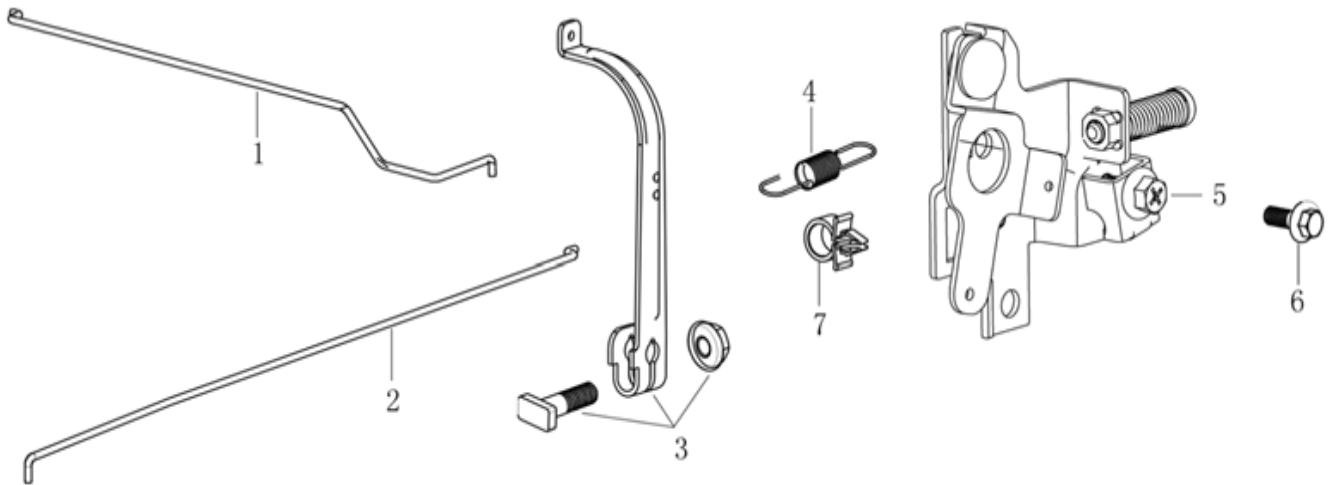
## AIR CLEANER



N°	Description	Part Number	Qty (UOM)
1	Air filter	U065-FE113	1
2	Air filter element	U065-FA087	1
3	Hexagon nut with flange	U065-FA065	2
4	Breather tube	U065-FE114	1

# CAIMAN

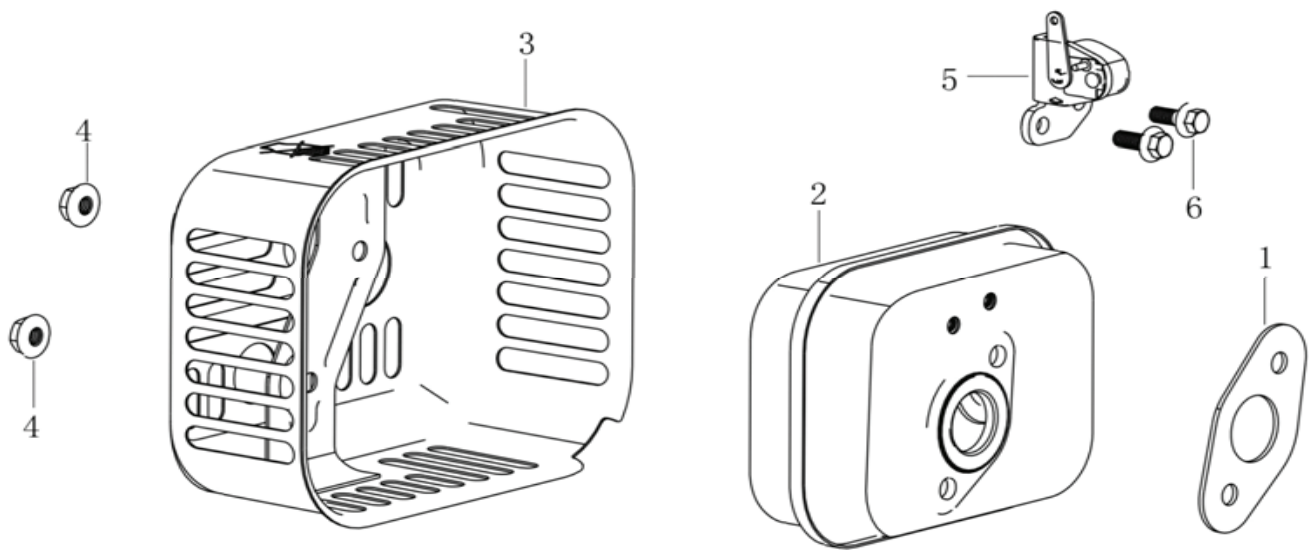
## CONTROL



N°	Description	Part Number	Qty (UOM)
1	Choke valve pull rod	U065-FE066	1
2	Throttle rod	U065-FE115	1
3	Speed regulating bracket	U065-FE036	1
4	Governing spring	U065-FE137	1
5	Throttle handle combination	U065-FE138	1
6	Hexagon bolt with flange	U065-FE016	1
7	Location wire nail	U065-FA113	1

# CAIMAN

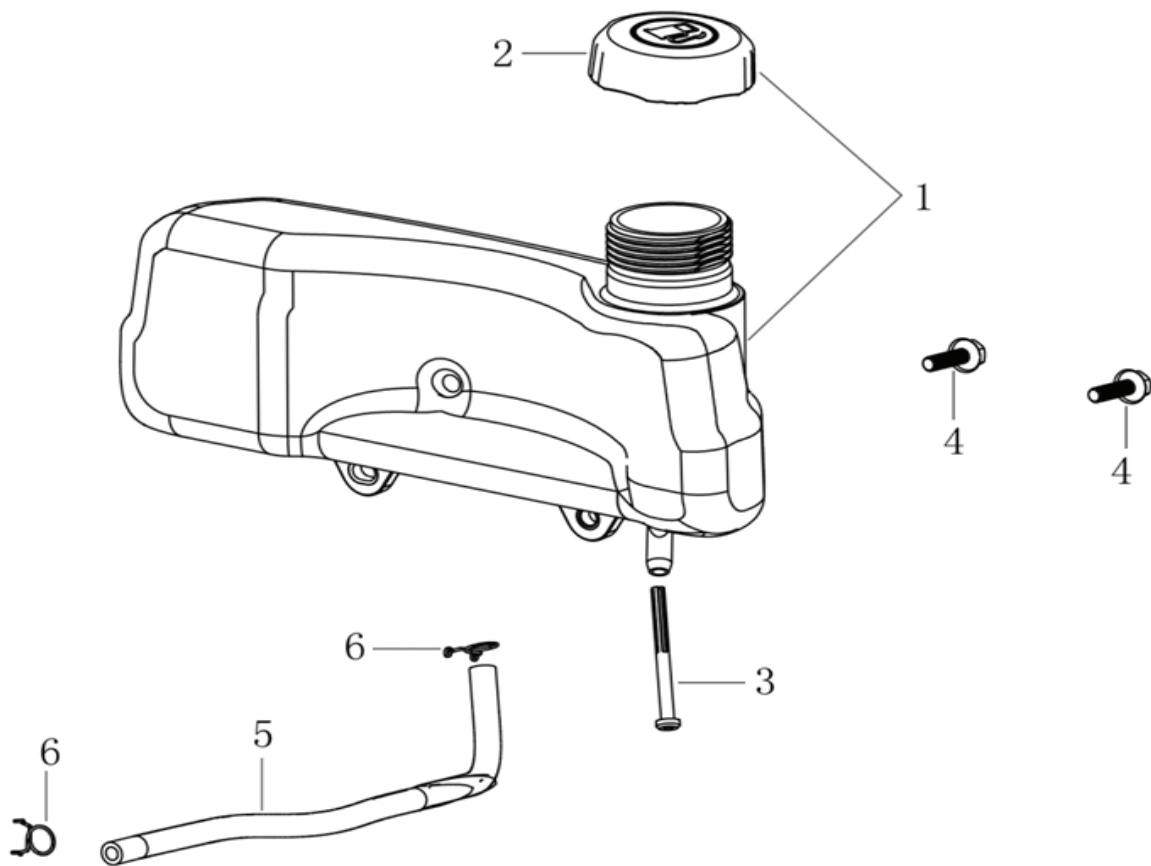
## MUFFLER



N°	Description	Part Number	Qty (UOM)
1	Muffler gasket	U065-FE077	1
2	Muffler	U065-FE142	1
3	Muffler guard shield	U065-FE119	1
4	Hexagon nut with flange	U065-FA100	2
5	Control components of choke valve	U065-FE065	1
6	Hexagon bolt with flange	U065-FE016	2

# CAIMAN

## FUEL TANK



N°	Description	Part Number	Qty (UOM)
1	Tank	U065-FE139	1
2	Tank cover	U065-FA106	1
3	Fuel filter	U065-FE140	1
4	Hexagon bolt with flange	U065-FA035	2
5	Oil tube	U070-FA057	1
6	Pipe clip	U065-FA115	2