

PARTS PRICE LIST : CP-203T

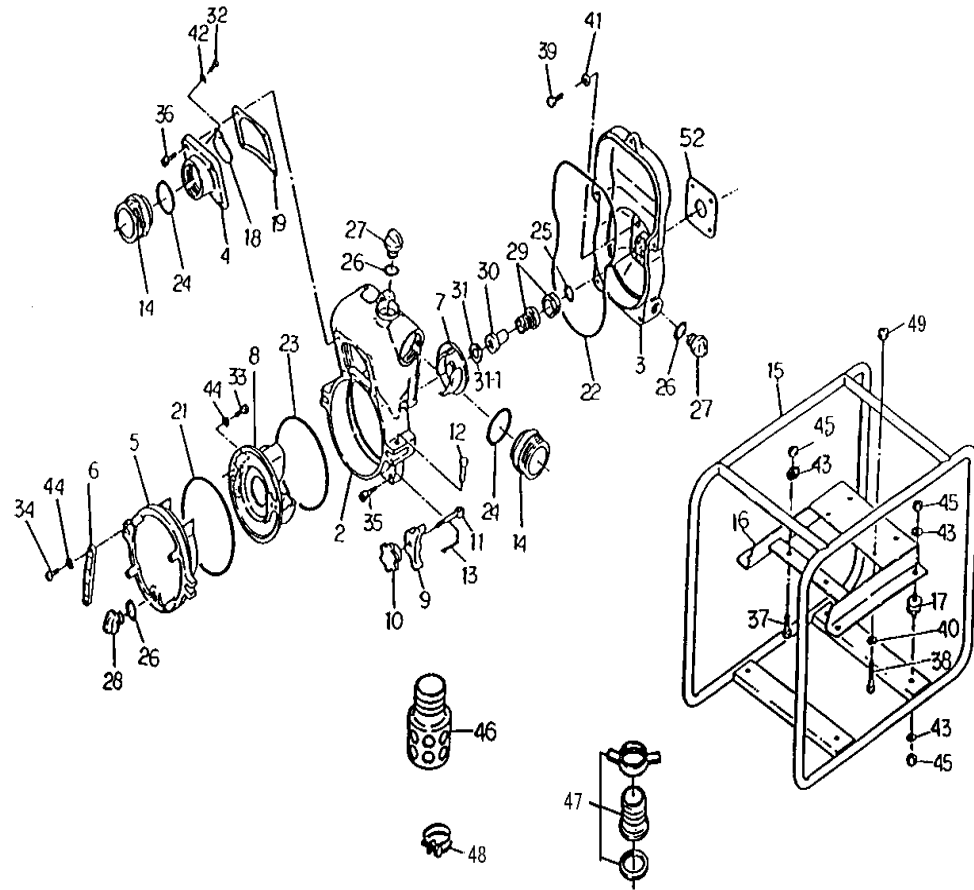
MEC : 2014/11/13

No.	PARTS NO.	PARTS NAME	Q'TY	MATERIAL
	EX17	ENGINE		
2	1317-100010	CASING	1	ADC
3	7206-100020	CASING COVER	1	ADC
4	1317-100160	SUCTION COVER	1	ADC
5	1247-100170	DRAIN COVER	1	ADC
6	1247-100250	DRAIN COVER HANDLE	2	ADC
7	7206-000030	IMPELLER	1	FC
8	7206-000130	VOLUTE CASING	1	FC
9	1247-000200-0014	DRAIN COVER PUSH PLATE	2	FC
10	1247-000190-0014	DRAIN COVER SET HANDLE	2	FC
11	1247-200270	HINGE BOLT	2	SS400
12	1247-220280	HINGE PIN	2	S45C
13	064140-0430	SPLIT PIN	2	SWRM
14	079000-3020-0011	NIPPLE	2	FC
15	7206-214010-0004	FRAME	1	SS400
16	7206-214020-0004	ENGINE BASE	1	SS400
17	072330-2040	CUSHION RUBBER	4	NBR +SS400
18	1317-350350	CHECK VALVE	1	NBR +SS400
19	1317-330370	SUCTION COVER PACKING	1	NBR
21	048935-2400	O-RING (DRAIN COVER)	1	NBR
22	048935-3970	O-RING (CASING)	1	NBR

No.	PARTS NO.	PARTS NAME	Q'TY	MATERIAL
23	048931-2300	O-RING	1	NBR
24	048131-0800	O-RING (NIPPLE)	2	NBR
25	048024-0200	O-RING (MECH SEAL SLEEVE)	1	NBR
26	048035-0300	O-RING (FLOODING DRAIN CAP)	3	NBR
27	063121-1100ASSY	FLOODING CAP WITH O-RING	1	ABS
28	063121-1100ASSY	DRAIN CAP WITH O-RING	2	ABS
29	080140-3325	MECHANICAL SEAL	1	SICxSIC
30	081120-4056	MECHANICAL SEAL SLEEVE	1	SUS
31	085283-2818	ADJUST LINER	1	BSP
31-1	085285-2818	ADJUST LINER	1	BSP
32	016105-0525	SCREW	2	SUS
33	014109-0820	SCREW	2	SUS
34	014105-0825	SCREW	4	SS400
35	013115-1235	CAP SCREW	5	SCM
36	013115-1030	CAP SCREW	4	SCM
37	010505-1035	BOLT	2	SS400
38	010505-0840	BOLT	4	SS400
39	010505-0825	BOLT	4	SS400
40	040145-0080	WASHER	4	SS400
41	045822-0080	SEAL WASHER	4	SUS+NBR
42	040145-0050	WASHER	2	SS400

PARTS PRICE LIST : CP-203T

No.	PARTS NO.	PARTS NAME	Q'TY	MATERIAL
43	045125-0100	SPRING WASHER	10	SWRH
44	045125-0080	SPRING WASHER	6	SWRH
45	020545-0100	NUT	10	SS400
46	074230-2050	STRAINER	1	PE
47	074111-7050R	HOSE COUPLING SET	2	ADC
48	093225-2000	WIRE HOSE BAND	3	SWRM
49	020915-0080	FLANGE NUT	4	SS400
52	1201-390610	CASING COVER PACKING	1	THREE SHEET



MATSUSAKA ENGINEERING CO., LTD.