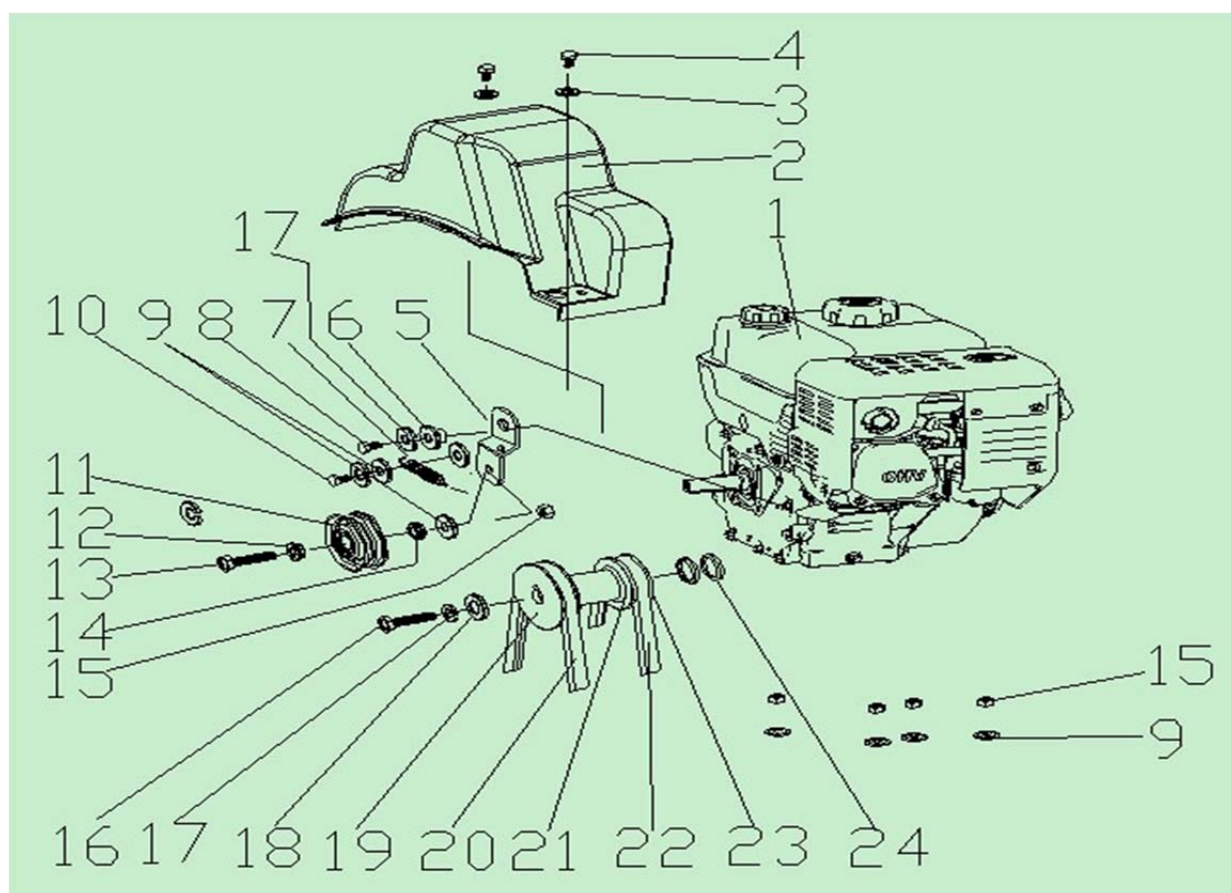
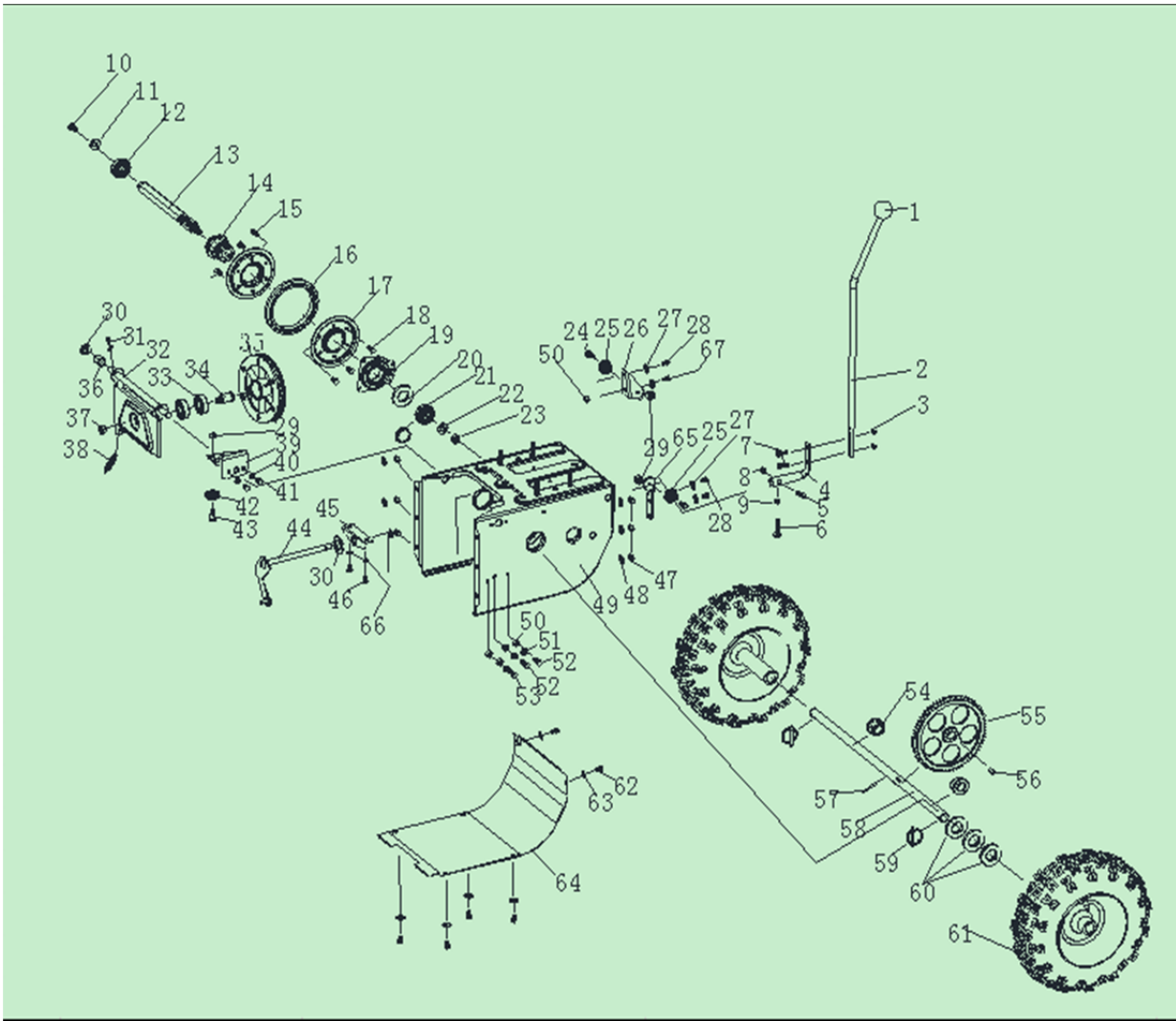


No.	Code No.	English name	Qty
1	SJ-042	SJ handle kit	1套
2	NHLN-8	Non metal outside six angle locknut	2
3	SJ-110	SJ handle	2
4	SJ-047	SJ rubber cap	2
5	HS-8*45	Hexagon screw	2
6	SJ-033B	SJ steel sticker	2
7	XA-04-110	Copper nut	2
8	SJ-032	SJ steel rod 1	1套
9	SJ-109	SJ bounding plate	1
10	NHLN-6	Non metal outside six angle locknut	3
11	FB-6.5*12*0.7	Gasket	6
12	HS-6*35	Hexagon screw	3
13	SJ-033	SJ steel rod 2	1套
14	NHLN-8	Non metal outside six angle locknut	1
15	HN-8	Hexagon screw	1
16	SJ-044B	SJ rudder rod	1
17	SJ-044C	SJ rotating rod rubber ring	1
18	HFB-8*40	Hexagon screw	2
19	SJ-028	The handrail rod shim	2
20	HS-8*20	Hexagon screw	2
21	FB-8*22*2	Flat gasket	2

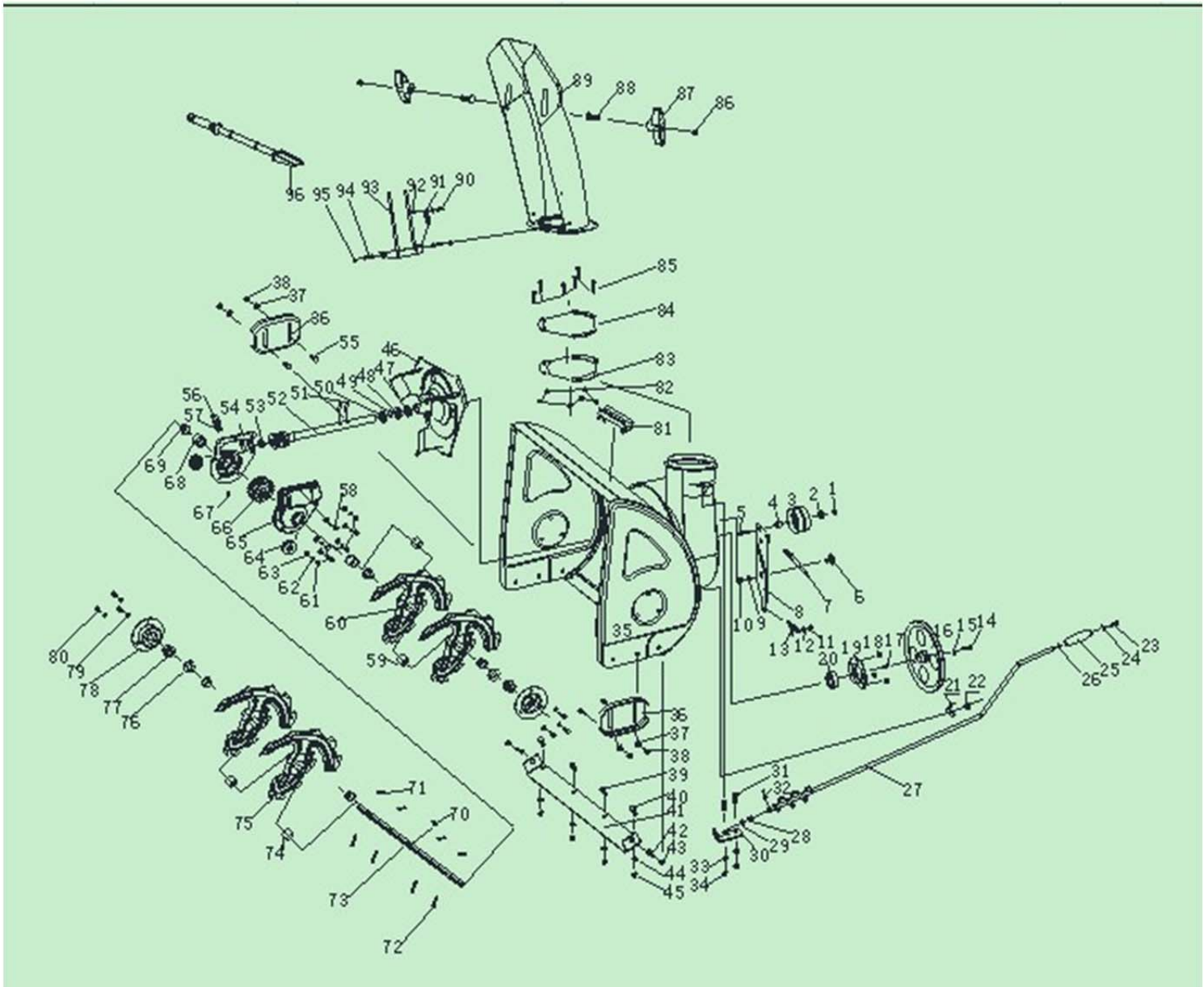


	Code No.	English name	Qty
1	LC165	Engine	1
2	SJ-031	The belt wheel cover	1
3	FB-6*16*1.5	Flat gasket	2
4	HS-6*12	Hexagon screw	2
5	SJ-045	Small tensioning plate	1
6	SJ-046-1	Small tensioning plate pad	1
7	SJ-035-1	Spring 3	1
8	HS-8*20	Hexagon screw	1
9	FB-8*16*1.2	Flat gasket	6
10	HS-8*16	Hexagon screw	1
11	SX-11-170	Small tensioning wheel	1套
12	SJ-008C	Gasket	1
13	HS-8*30	Hexagon screw	1
14	SX-11-170B	Small tensioning wheel pad	1
15	NHLN-8	Non metal outside six angle locknut	5
16	HFB-8*25	Hexagonal bolt	1
17	SW-8	Spring washer	2
18	FB-8*28*3	Flat gasket	1
19	SJ-049B	SJ main pulley	1
20	LB4L-885	V type belt	1
21	SJ-049-1	The small pulley washer	1
22	TB-5M*750	Synchronous belt	1
23	SJ-049	SJ main toothed belt pulley	1
24		Output shaft gasket	2



No.	Code No.	English name	Qty
1	SJ-308	The gear handle ball	1
2	SJ-068A	SJ sticker	1
3	NHLN-6	Non metal outside six angle locknut	3
4	SJ-068B	SJ steel sticker sheet	1
5	HS-6*25	Hexagon screw	1
6	HS-6*25	Hexagon screw	1
7	HES-6*20	Socket head screw	2
8	NHLN-6	Non metal outside six angle locknut	1
9	HFN-6	Flange nut	1
10	HS-8*16	Hexagon screw	1
11	FB-8*28*2	Flat gasket	3
12	KBE-6203	Deep groove ball bearing with spring	1
13	SJ-005	Six angle gear shaft	1
14	SJ-013C	Change pulley	1
15	HS-6*12	Hexagon screw	3
16	SJ-013D	Rubber ring	1
17	SJ-013A	Big washer	2
18	HS-6*12	Hexagon screw	3
19	SJ-013B	Shaft cap	2
20	SR-35	Shaft circlip	1
21	KBE-6203	Deep groove ball bearing with spring	1
22	FB-10*28*2	Flat gasket	1
23	NHLN-10	Non metal outside six angle locknut	1

24	SJ-052	SJ hexagonal bolt 3	2
25	SJ-016B	SJ cable pulley	2
26	SJ-016A	SJ pulley mounting plate 1	1
27	FB-6*12*0.7	Flat gasket	2
28	HS-6*12	Hexagon screw	2
29	HFN-6	flange surface nut	3
30	FB-13*24*2	Flat gasket	2
31	CP-2.5*35	Opening pin	1
32	SJ-007	SJ belt pulley bracket	1套
33	BE-6203	Deep groove ball bearing	2
34	SJ-010B	Drive shaft pulley	1
35	SJ-010A	SJ driving synchronous belt pulley assembly	1
36	SJ-107	SJ sleeve	1
37	NHLN-10	Non metal outside six angle locknut	1
38	SJ-069	Spring 6	1
39	SJ-015	Pulley plate 2	1
40	FB-6*12*0.7	Flat gasket	2
41	HS-6*12	Hexagon screw	2
42	SJ-016B	SJ cable pulley	1
43	SJ-052	SJ six angle screw 3	1
44	SJ-040	Shifting fork	1套
45	SJ-002	Rectangular block	1
46	HS-6*12	Hexagon screw	2
47	NHLN-8	Non metal outside six angle locknut	6
48	FB-8*16*1.2	Flat gasket	6
49	SJ-103	SJ gear box shell	1
50	HFN-6	Flange nut	4
51	FB-6*12*0.7	Flat gasket	3
52	HS-6*30	Hexagon screw	2
53	HS-6*20	Hexagon screw	1
54	SJ-026	The end cap sleeve	2
55	SJ-003	Big gear wheel	1
56	WK-5*7.5*19	Woodruff key	2
57	OSP-4*30	Opening pin	1
58	SJ-017	Drive axle	1
59	SJ-066	The spring pin assembly	2
60	FB-19*38*1.5	Flat gasket	3
61	TC-13	Tire	2
62	HS-6*12	Hexagon screw	6
63	FB-6*12*0.7	Flat gasket	6
64	SJ-102	SJ transmission case cover plate	1
65	SJ-014	SJ pulley mounting plate 3	1



No.	Code No.	English name	Qty
1	NHLN-8	Non metal outside six angle locknut	1
2	SJ-008C	SJ pad	1
3	SJ-008	SJ large tight wheel 2(with bearing)	1套
4	SJ-008B	SJ sleeve	1
5	HS-8*45	Hexagon screw	1
6	SJ-050	SJ hexagonal bolt 1	1
7	SJ-032A	SJ spring 1	1
8	SJ-023	SJ fixed plate	1
9	FB-10*20*2	Flat gasket	2
10	NHLN-10	Non metal outside six angle locknut	1
11	NHLN-8	Non metal outside six angle locknut	1
12	FB-8*16*1.2	Flat gasket	2
13	SJ-037	Spring 5	1
14	HS-8*20	Hexagon screw	1
15	FB-8*28*2	Flat gasket	1

16	SJ-039	SJ large belt pulley	1
17	FK-C6*17	Square key	1
18	NHLN-8	Non metal outside six angle locknut	3
19	SJ-004	Round bottom cover	1
20	BE-UC204	Spherical ball bearing	1
21	SJ-300	Belt guard	1
22	NHLN-8	Non metal outside six angle locknut	1
23	SHS-6*10	Cross head screw	1
24	FB-6*18*1.5	Flat gasket	1
25	SJ-310	SJ hand set	1
26	FB-10*20*1	Flat gasket	1
27	SJ-044A	Rocker	1
28	SJ-011A	The mounting plate plastic ring	1
29	FB-10* $\phi$ 20*2	Flat gasket	1
30	SJ-011	Small mounting plate	1
31	CB-8*18	Cup head square neck screw	2
32	CP-2.5*25	Cotter pin	1
33	FB-8*16*1.2	Flat gasket	1
34	NHLN-8	Non metal outside six angle locknut	2
35	SJ-104	SJ box	1套
36	SJ-111	SJ skid	2
37	FB-8*22*2	Flat gasket	4
38	NHLN-8	Non metal outside six angle locknut	4
39	CB-8*16	Cup head square neck screw	2
40	CB-8*20	Cup head square neck screw	2
41	SJ-006	SJ long baffle plate	1
42	CB-8*16	Cup head square neck screw	2
43	NHLN-8	Non metal outside six angle locknut	2
44	FB-8*22*2	Flat gasket	4
45	NHLN-8	Non metal outside six angle locknut	4
46	SJ-001	SJ Fan	1套
47	OS-32*20*6	Grease seal	1
48	BE-51104	Single direction thrust ball bearing	1
49	SJ-057	Spacer ring	1
50	BE-6904	Deep groove ball bearing	1
51	FRP-6*30	Coiled spring pin	2
52	SJ-030	SJ driving worm gear shaft	1
53	BE-16001	Deep groove ball bearing	1
54	SJ-101A	SJ bottom base	1
55	CB-8*20	Cup head square neck screw	4
56	RM-5HP	Oil nipple	1
57	WG-10	Corrugated gasket	1
58	SHS-6*25	Hexagonal bolt	1
59	22-SX-11-300	The output shaft sleeve	2
60	30-SX-11-125	Right auger	2
61	SHS-6*20	Hexagonal bolt	6
62	SW-6	Spring washer	7
63	FB-6*12*0.7	Flat gasket	7
64	OS-30*19*7	Grease seal	2

65	SJ-101	SJ upper base	1
66	SJ-038	SJ worm gear	1
67	SHS-5*12	Cross head bolt	1
68	SJ-108	SJ output shaft sleeve	1
69	SJ-019	Drive shaft sleeve	2
70	WK-5*7.5*19	Woodruff key	1
71	NJ-02	Pin buckle	4
72	NJ-01	The output shaft bolt	4
73	22-SX-11-134	Output shaft	1
74	22-SX-11-301	The output shaft sleeve	2
75	30-SX-11-135	Left auger	2
76	FB-19*38*1.5	Flat gasket	2
77	SJ-020	Axle sleeve	2
78	SJ-024	Bearing cap	2
79	FB-8*16*1.2	Flat gasket	6
80	HS-8*10	Hexagon screw	6
81	SJ-151	Shovel bracket	1
82	NHLN-6	Non metal outside six angle locknut	6
83	SJ-021	Washer	3
84	SJ-021C	Washer	3
85	HS-6*16	Hexagon screw	6
86	NHLN-8	Non metal outside six angle locknut	2
87	SJ-138	Handle locking	2
88	CB-8*25	Cup head square neck screw	2
89	SJ-140	Snow chute	1套
90	HS-6*16	Hexagon screw	1
91	SJ-036	Spring 4	1
92	HFN-6	The six angle flange surface nut	2
93	SJ-012	Bending rod set	1套
94	HS-6*16	Hexagon screw	2
95	NHLN-6	Non metal outside six angle locknut	2
96	SJ-150	Plastic shovel	1



