

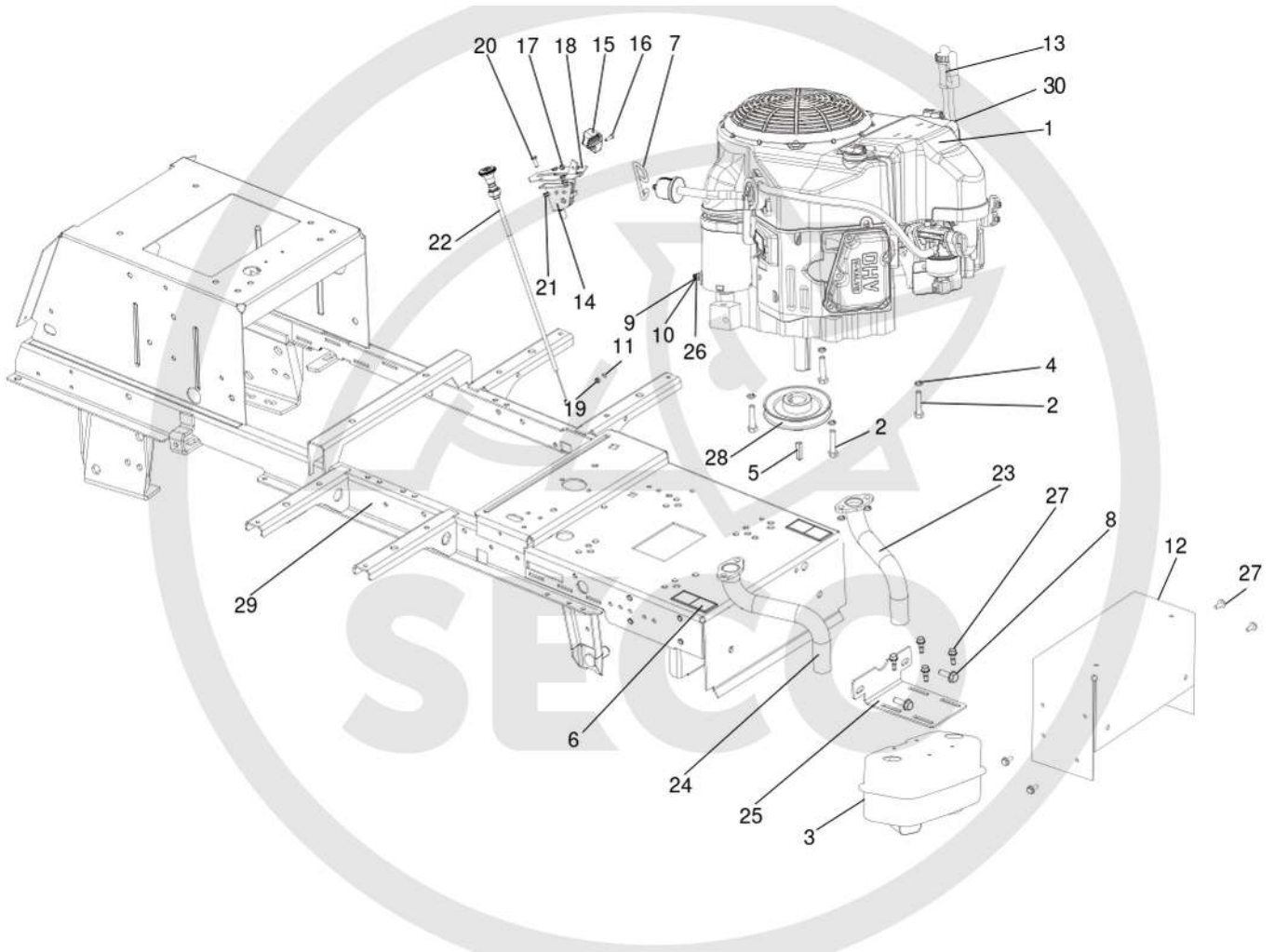
Obrázek není k  
dispozici



Model: KIJ8E-23-0001

Group: KIJ01-22-0006

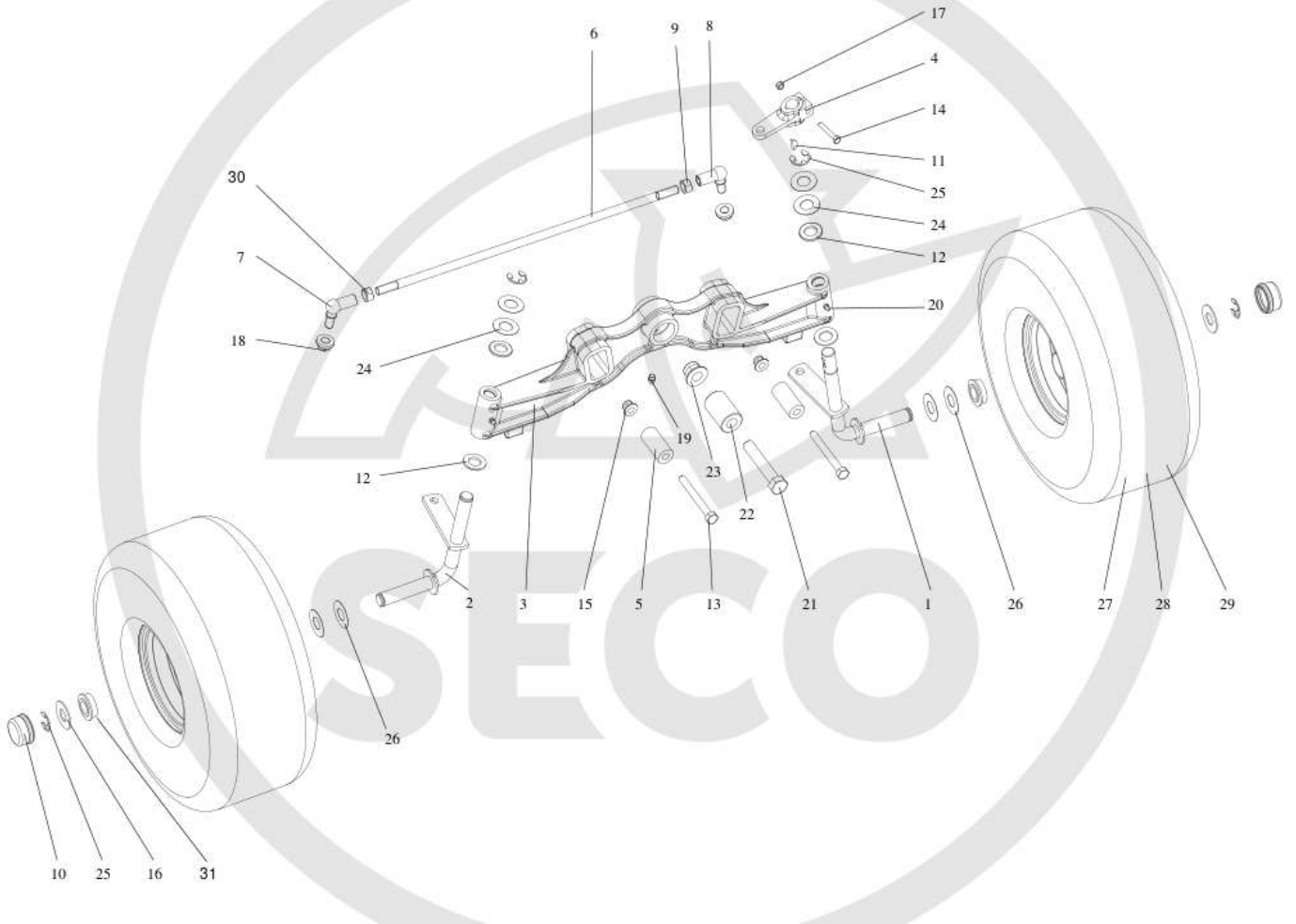
ENGINE 20 HP KAWASAKI/UJ



ID	Name	Item code	No.	UOM	Price
1	MOTOR 20 HP KAWASAKI (FS 600V)	N482349036	1	KS	###0.00 EUR / KS
2	Screw 3/8x1.25 DIN 933	N309578543	4	KS	0,29 EUR / KS
3	Exhaust Nelson 24500 N-20 V-twin	N443900129	1	KS	36,06 EUR / KS
4	WASHER 10 RIPP LOCK	N311219523	4	KS	0,45 EUR / KS
5	Key 0-9231-213	N311726101	1	KS	0,17 EUR / KS
6	Label 0-8732-337	N283292223	1	KS	0,12 EUR / KS
7	HOOK 0-9242-240	N532980071	1	KS	0,33 EUR / KS
8	Screw M 8x25 DIN 7500 D	N309578540	2	KS	0,24 EUR / KS
9	Screw M 8X16	N309503517	1	KS	0,05 EUR / KS
10	Washer 8.4	N311210503	1	KS	0,05 EUR / KS
11	Washer 6	N311214501	1	KS	0,05 EUR / KS
12	Exhaust cover UJ V2	S532085422123	1	KS	7,40 EUR / KS
13	Hose with cap	N532151253	1	KS	7,09 EUR / KS
14	Throttle lever 9-8071-226 GAR-001	N443900095	1	KS	9,11 EUR / KS
15	Throttle lever 0-8060-244 black	N443900148	1	KS	1,24 EUR / KS
16	Screw M 4X14 021131.25	N309231535	1	KS	0,05 EUR / KS
17	Nut M4	N311129514	1	KS	0,05 EUR / KS
18	Reinforcement	S532080302873	1	KS	1,84 EUR / KS
19	Nut W1/4-20 Unc Zinc.	N311122501	1	KS	0,05 EUR / KS
20	Screw M 5X16	N309251515	4	KS	0,05 EUR / KS
21	Nut M5	N311129515	4	KS	0,05 EUR / KS
22	Choke MK01 9-8074-277	N443612011	1	KS	6,73 EUR / KS
23	Exhaust pipe left UJ Kawasaki	S532927442543	1	KS	15,97 EUR / KS
24	Exhaust pipe right UJ Kawasaki	S532927442553	1	KS	15,97 EUR / KS
25	Exhaust holder UJ	S532113402093	1	KS	3,41 EUR / KS
26	Washer 8	N311214502	5	KS	0,05 EUR / KS
27	SCREW M 6X16 DIN 7500D BN 3326	N309578517	8	KS	0,10 EUR / KS
28	Engine pulley 9-3325-202 K62	N532151375	1	KS	11,07 EUR / KS
29	Frame compl. UJ/2014	S532912962843	1	KS	171,95 EUR / KS
30	Hose clip 9W1 16-25 EURO	N548241028	1	KS	0,62 EUR / KS

Model: KUJ8E-23-0001  
Group: KUJ03-14-0001

Front axle UJ

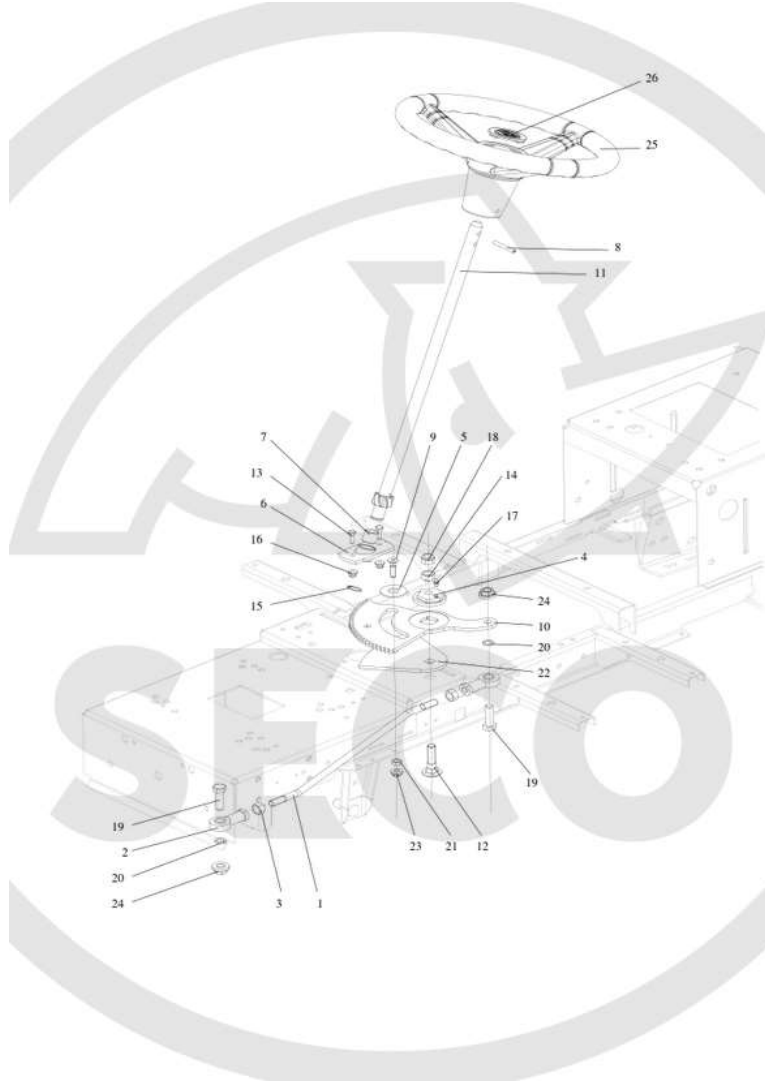


ID	Name	Item code	No.	UOM	Price
1	Pin left	S532916432143	1	KS	8,15 EUR / KS
2	Pin right	S532916432153	1	KS	8,70 EUR / KS
3	Axle	S532016542083	1	KS	52,69 EUR / KS
4	Lever	S532080503603	1	KS	11,45 EUR / KS
5	Spacer	S532195203533	2	KS	2,53 EUR / KS
6	Connecting rod 0-9010-572	N532151336	1	KS	3,04 EUR / KS
7	Angular joint 16 R DIN71802CS M12	N442073020	1	KS	4,18 EUR / KS
8	Angular joint 16 L DIN71802CS M12	N442073019	1	KS	4,42 EUR / KS
9	Nut M12 left	N311120539	1	KS	0,09 EUR / KS
10	Cover 0-8025-237	N532150915	2	KS	0,30 EUR / KS
11	Woodruff key 5e7X7.5	N311728003	1	KS	0,33 EUR / KS
12	Washer 19	N311210514	4	KS	0,05 EUR / KS
13	Screw M 10X80	N309501527	2	KS	0,30 EUR / KS
14	Screw M 6X40	N309203524	1	KS	0,05 EUR / KS
15	Nut M 10 DIN 6926 Zinc	N311129523	2	KS	0,12 EUR / KS
16	Washer	S532092208363	2	KS	0,80 EUR / KS
17	Nut M 6	N311129513	1	KS	0,05 EUR / KS
18	Nut M 12 DIN 6923 8 Zinc. toothed	N311129521	2	KS	0,40 EUR / KS
19	Lubricating head MK 8x1	N425111016	1	KS	0,44 EUR / KS
20	Lubricating head MK 6x1	N425111004	2	KS	0,29 EUR / KS
21	Screw M 8x90	N309501524	1	KS	0,47 EUR / KS
22	Pin	S532093202793	1	KS	4,94 EUR / KS
23	Nut M 16 DIN 6926	N311129527	1	KS	0,47 EUR / KS
24	Washer	S532092208383	4	KS	1,03 EUR / KS
25	Lock ring E-75 3/4	N311732023	4	KS	0,09 EUR / KS
26	Washer	S532092208153	6	KS	0,35 EUR / KS
	Wheel front 16x6.5-8 Grassmaster	N532940164	2	KS	44,55 EUR / KS
28	Wheel disc front 5.50AX8H2 OTR 20	N325111024	2	KS	24,15 EUR / KS
29	Tyre front 16/6,5x8 Multi trac	N274161023	2	KS	16,75 EUR / KS
30	Nut M 12	N311120504	1	KS	0,05 EUR / KS
31	Front wheel bearing 3/4 Compensa	N324196019	4	KS	5,46 EUR / KS

Model: KUJ8E-23-0001

Group: KUJ05-14-0001

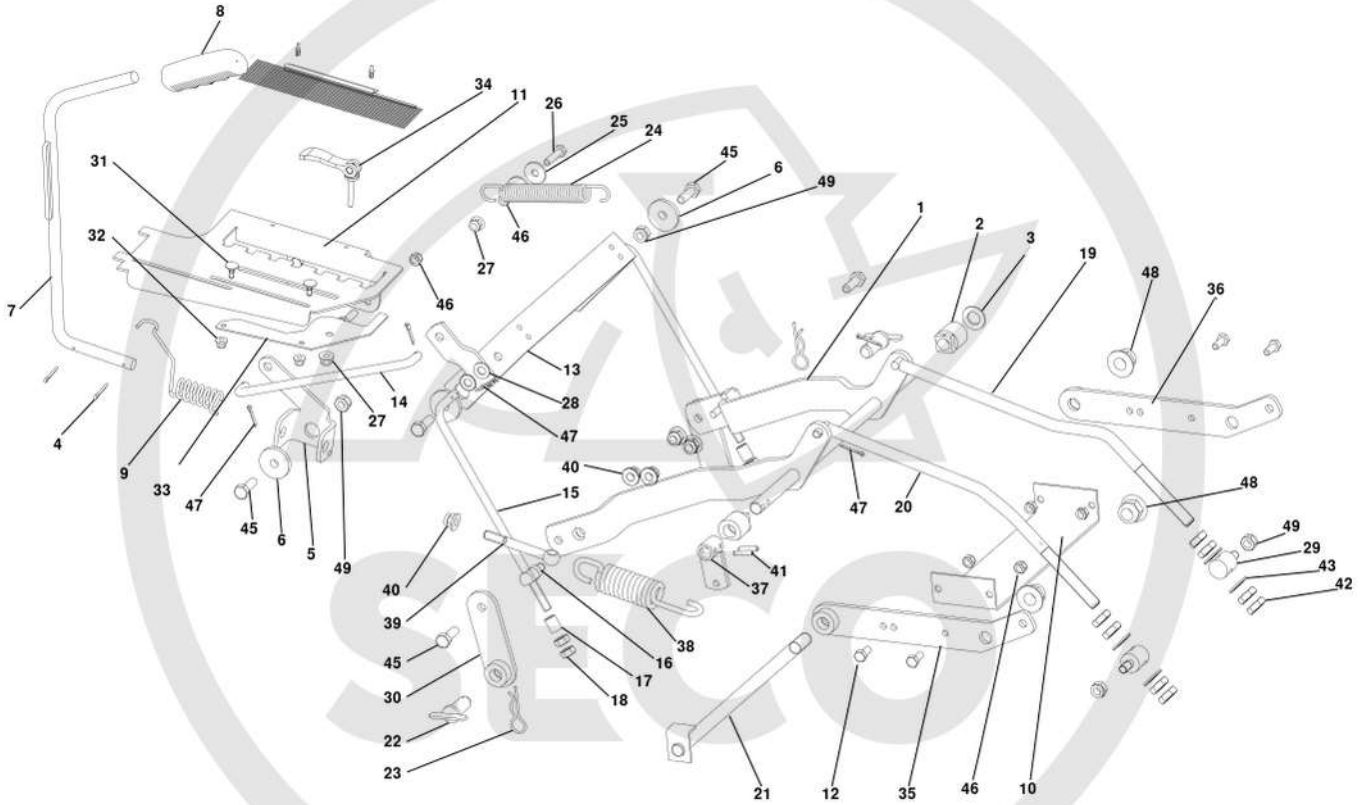
Steering UJ102



ID	Name	Item code	No.	UOM	Price
1	Steering rod 0-8041-338	N532151347	1	KS	3,73 EUR / KS
2	Joint head PHS 12 CN	N442073028	2	KS	3,19 EUR / KS
3	Nut M 12	N311150505	3	KS	0,05 EUR / KS
4	Eccentric	S532080272033	1	KS	5,63 EUR / KS
5	Spacer	S532195202593	1	KS	2,43 EUR / KS
6	Bearing	S532938542103	1	KS	9,97 EUR / KS
7	Bushing 1920 KU	N323721002	1	KS	0,80 EUR / KS
8	Spring pin 6x45	N315238031	1	KS	0,10 EUR / KS
9	Screw M 8x35 DIN 7991 10.9 Zinc	N309578534	1	KS	0,18 EUR / KS
10	Toothed Segment	S532033322453	1	KS	12,03 EUR / KS
11	Pinion compl.	S532930252043	1	KS	29,26 EUR / KS
12	Screw M 12X55.8.8 A3L ISO 8677	N309019522	1	KS	1,47 EUR / KS
13	Screw M 6X20	N309503548	2	KS	0,05 EUR / KS
14	Nut M 12	N311129505	1	KS	0,09 EUR / KS
15	Lock ring 19	N311733607	1	KS	0,09 EUR / KS
16	Nut M 6 DIN 6926	N311129525	2	KS	0,05 EUR / KS
17	Lubricating head MK 6x1	N425111004	1	KS	0,29 EUR / KS
18	Washer	S532092202053	1	KS	0,25 EUR / KS
19	Screw M12X40	N309503505	2	KS	0,44 EUR / KS
20	Washer 12	N311214504	2	KS	0,05 EUR / KS
21	Nut M 8	N311150503	1	KS	0,05 EUR / KS
22	WASHER	S532113326353	1	KS	3,26 EUR / KS
23	Nut M8 DIN 6923 8 Zinc. toothed	N311129520	1	KS	0,28 EUR / KS
24	Nut M 12 DIN 6923 8 Zinc. toothed	N311129521	2	KS	0,40 EUR / KS
25	Steering wheel 0-8020-201 UJ2014	N443821011	1	KS	27,81 EUR / KS
26	Steering-wheel cover 0-8516-201	N532151344	1	KS	0,56 EUR / KS

Model: KUJ8E-23-0001  
Group: KUJ06-21-0002

Mowing lifting UJ



katalóg 0-9091-237  
pro katalóg 0-9091-232 odmazat ucite pozice



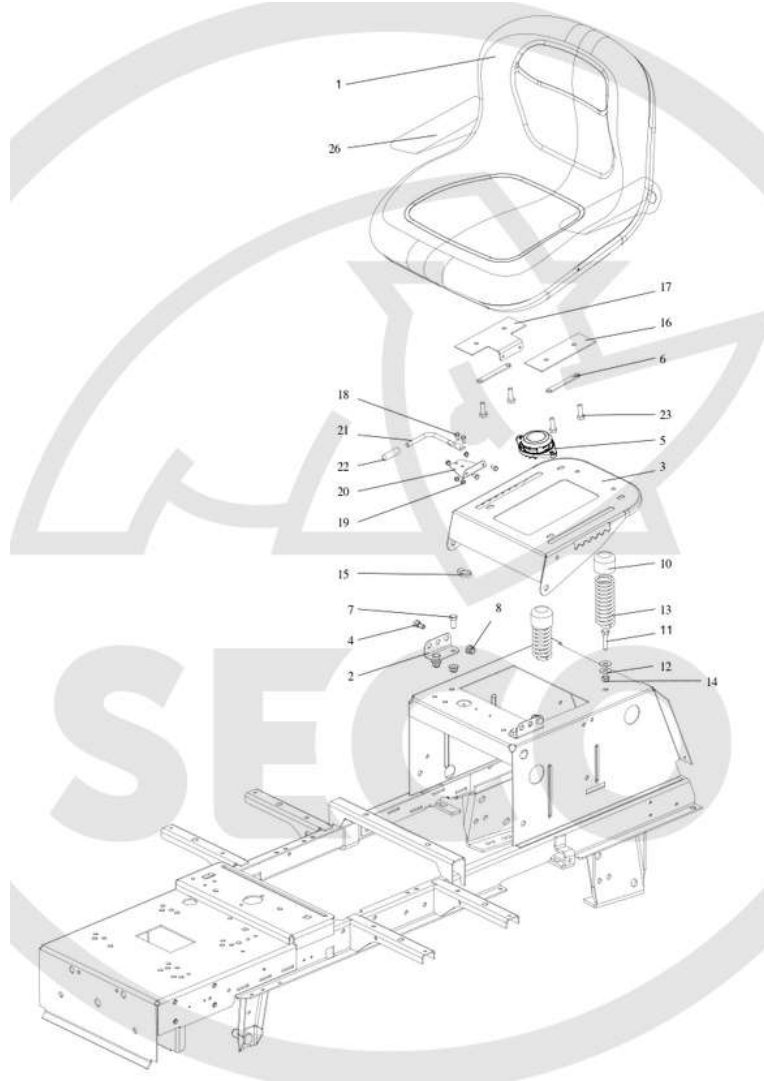
ID	Name	Item code	No.	UOM	Price
1	Lifting arms UJ	S532980508293	1	KS	39,82 EUR / KS
2	Case 0-9462-203	N722643024	2	KS	0,30 EUR / KS
3	Washer 17	N311210507	1	KS	0,06 EUR / KS
4	Spindle 3.2x25	N311338517	2	KS	0,05 EUR / KS
5	Lever holder	S532113415563	1	KS	3,28 EUR / KS
6	WASHER	S532092212293	3	KS	2,58 EUR / KS
7	Lifting lever	S532980412183	1	KS	13,50 EUR / KS
8	Handrail 0-8832-202	N532151357	1	KS	7,46 EUR / KS
9	Spring 0-9746-504 lifting	N315231265	1	KS	4,11 EUR / KS
10	Holder	S532080503673	1	KS	5,48 EUR / KS
11	Lifting segment 1to1	S532113422253	1	KS	10,85 EUR / KS
12	Screw M8X20	N309503518	4	KS	0,11 EUR / KS
13	Lifting holder	S532913413323	1	KS	13,00 EUR / KS
14	Lifting rod 0-8041-201 UJ	N532151358	1	KS	2,71 EUR / KS
15	Lifting rod 0-8041-346	N532151359	2	KS	5,09 EUR / KS
	Pin	S532090162083	2	KS	6,43 EUR / KS
17	Spacer	S532095213823	2	KS	2,46 EUR / KS
18	Nut M 10	N311150506	4	KS	0,05 EUR / KS
19	Lifting tie-rod L	S532980422503	1	KS	11,46 EUR / KS
20	Lifting tie-rod R	S532980422493	1	KS	11,46 EUR / KS
21	Lifting shaft UJ	S532938122583	1	KS	8,15 EUR / KS
22	Pin complete	S532993462343	2	KS	2,24 EUR / KS
23	Flexible spindle 0-9245-999	N315238003	2	KS	0,19 EUR / KS
24	Spring 0-9746-460	N315231193	1	KS	1,81 EUR / KS
25	Washer 9 Zinc	N311212517	2	KS	0,05 EUR / KS
26	Screw M 8X35	N309503543	3	KS	0,11 EUR / KS
27	Nut M 8 DIN 6926 8 Zinc	N532150290	2	KS	0,09 EUR / KS
28	Washer 10.5	N311210504	4	KS	0,05 EUR / KS
29	Screw	S532090162063	2	KS	6,97 EUR / KS
30	Lifting arm	S532980322193	2	KS	8,22 EUR / KS
31	Screw M6X16	N309019507	2	KS	0,05 EUR / KS
32	Nut M 6 DIN 6926	N311129525	2	KS	0,05 EUR / KS
33	Lifting backstop 1TO1	S532013322083	1	KS	1,81 EUR / KS
34	Excentric lever 04232-211108x30	N532151360	1	KS	13,78 EUR / KS
35	Lifting arm R	S532980508313	1	KS	10,70 EUR / KS
36	Lifting arm L	S532980508303	1	KS	10,70 EUR / KS
37	Lifting arm spring	S532980365413	1	KS	11,00 EUR / KS
38	Spring 0-9746-507 Lifting	N315231269	1	KS	6,45 EUR / KS
39	Screw M 10x90 DIN 444-4.6	N309510001	1	KS	1,35 EUR / KS
40	Nut M 10 DIN 6926 Zinc	N311129523	5	KS	0,12 EUR / KS
41	Spring pin 6x26 ISO 8748	N315238059	3	KS	0,12 EUR / KS
42	Nut M 14	N311120542	8	KS	0,15 EUR / KS
43	Washer 15	N311210511	4	KS	0,05 EUR / KS

44	Not used in this performance	NK00000000	2 KS	EUR /
45	Screw M 10X30	N309503510	5 KS	0,16 EUR / KS
46	Nut M 8	N311129501	7 KS	0,05 EUR / KS
47	Spindle 3.2x20	N311338516	6 KS	0,05 EUR / KS
48	Nut M 16 DIN 6926	N311129527	3 KS	0,47 EUR / KS
49	Nut M 10	N311129502	5 KS	0,05 EUR / KS

Model: KUJ8E-23-0001

Group: KUJ11-22-0003

Hood nr.1 MILSCO XB180 UJ

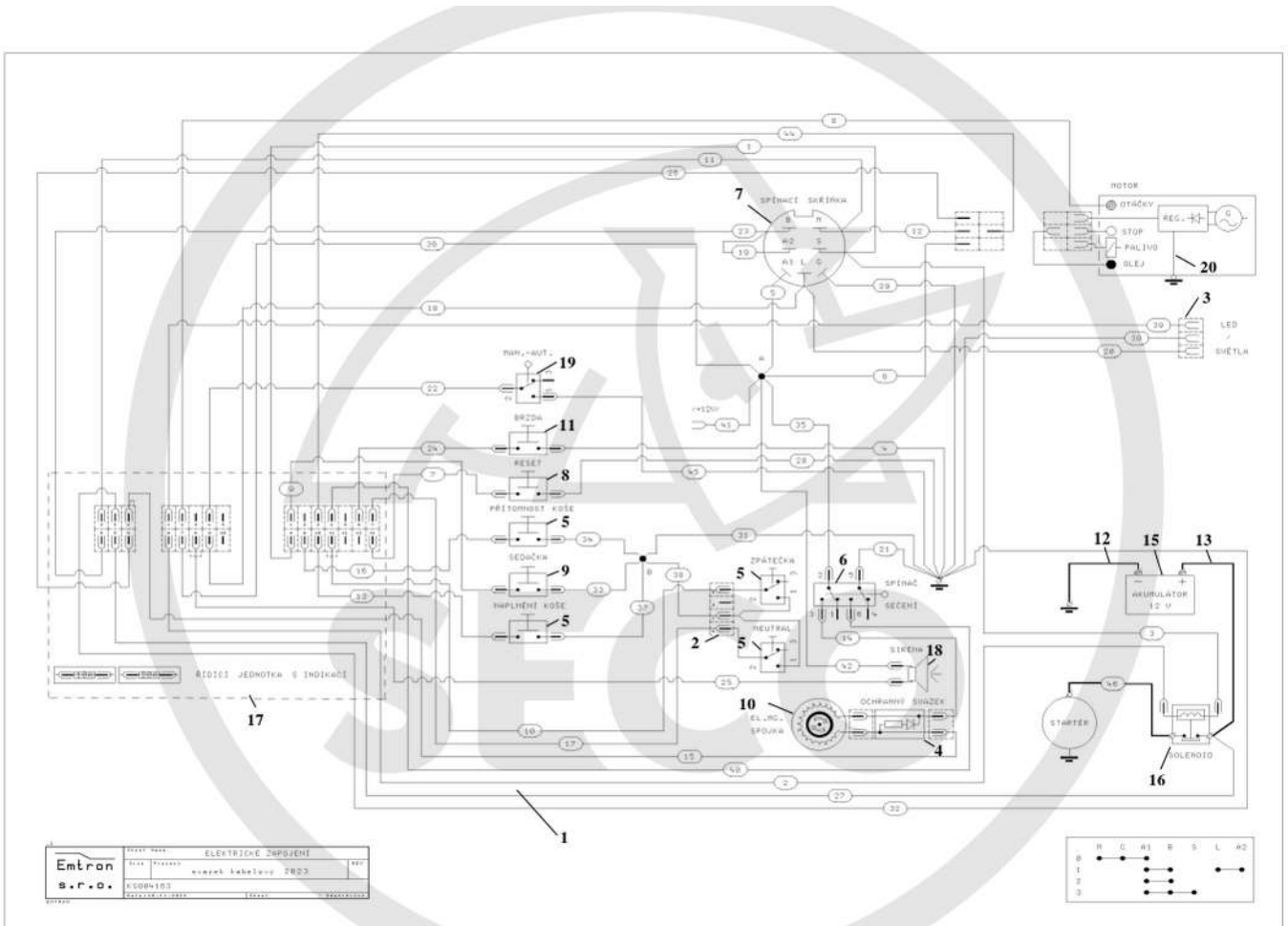


ID	Name	Item code	No.	UOM	Price
1	Seat SP 480 Milsco	N532150988	1	KS	82,41 EUR / KS
2	Carrier holder	S532113402403B	2	KS	1,75 EUR / KS
3	Seat carrier	S532018474683	1	KS	14,01 EUR / KS
4	Carrier screw 0-9016-427	N309599012	2	KS	0,55 EUR / KS
5	Seat switch DELTA 6500-02	N532150990	1	KS	5,79 EUR / KS
6	Distance washer	S532092322053	2	KS	0,78 EUR / KS
7	Screw M 8X25 DIN 6921 8.8 Zinc	N309578011	4	KS	0,28 EUR / KS
8	Nut M 8 DIN 6926 8 Zinc	N532150290	6	KS	0,09 EUR / KS
9	Not used in this performance	NK00000000	4	KS	EUR /
10	Cover 38/A PVC Black	N532150208	2	KS	0,33 EUR / KS
11	Screw M 8X25	N309503512	2	KS	0,11 EUR / KS
12	Washer 9 Zinc	N311212517	4	KS	0,05 EUR / KS
13	Spring 0-9746-441	N315231274	2	KS	2,37 EUR / KS
14	Nut M 8	N311129501	2	KS	0,05 EUR / KS
15	Clip WSBH 1-0-1	N532150211	1	KS	0,21 EUR / KS
16	Seat holder	S532113302013	1	KS	1,21 EUR / KS
17	Seat holder	S532113402073	1	KS	1,64 EUR / KS
18	Screw M 5x10	N309203545	4	KS	0,05 EUR / KS
19	Nut M5	N311129515	4	KS	0,05 EUR / KS
20	Seat spring	S532097402283	1	KS	1,98 EUR / KS
21	Seat tie rod 0-8043-310	N532151356	1	KS	3,73 EUR / KS
22	Cover 8X40 Vinyl-Flex black	N532150209	1	KS	0,15 EUR / KS
23	Screw M 8x25 DIN 7500 D	N309578540	4	KS	0,24 EUR / KS
24	Not used in this performance	NK00000000	2	KS	EUR /
25	Not used in this performance	NK00000000	2	KS	EUR /
26	Arm rests C 7494 BS	N532150989	1	SD	45,06 EUR / SD

Model: KIJ8E-23-0001

Group: KIJ13-23-0011

Electric installation AJ,UJ



ID	Name	Item code	No.	UOM	Price
1	Wiring harness KS004163/AJ,UJ	N341271252	1	KS	66,54 EUR / KS
2	Switches harness KS 004081	N341271193	1	KS	4,18 EUR / KS
3	Lights connection KS004137 1to1	N341271222	1	KS	4,95 EUR / KS
4	Protective diodes harness 9-8316-	N341271052	1	KS	2,56 EUR / KS
5	Microswitch MKH 12 D 13-S1	N345359004	1	KS	7,94 EUR / KS
6	Switch VDD2S001 9ZZCR 100	N345329023	1	KS	17,18 EUR / KS
7	Switch box Delta 6900-47 P	N443861007	1	KS	11,07 EUR / KS
8	Switch 1932.3413	N345329025	1	KS	6,58 EUR / KS
9	Seat switch DELTA 6500-02	N532150990	1	KS	5,79 EUR / KS
10	Elmag. clutch I-5217-38	N532151196	1	KS	134,16 EUR / KS
11	Seat switch Delta 6440-04	N000532079	1	KS	3,21 EUR / KS
12	Cable 9-8316-570	N341271021	1	KS	1,52 EUR / KS
13	Cable 9-8316-624 solenoid+battery	N341271172	1	KS	3,79 EUR / KS
14	Not used in this performance	NK00000000	1	KS	EUR /
15	Battery 12V-32Ah ETECH F-ET-U1-R3	N346211009	1	KS	66,09 EUR / KS
16	Solenoid Trombetta 764-1221-210	N532151619	1	KS	7,95 EUR / KS
17	Display KS004162 2023	N443433016	1	KS	98,73 EUR / KS
18	Buzzer PF 27 A 29 EP	N443312021	1	KS	3,69 EUR / KS
19	Not used in this performance	NK00000000	1	KS	EUR /
20	Cable 9-8316-553	N341271006	1	KS	0,78 EUR / KS

Model: KIJ8E-23-0001

Group: KIJ15-23-0005

Dashboard 1TO1 UJ



ID	Name	Item code	No.	UOM	Price
1	Dashboard 0-8048-362 1TO1 excl.	N532151873	1	KS	95,14 EUR / KS
2	Double fender 9-1847-326 1to1	N532151833	1	KS	48,67 EUR / KS
1	Battery cover 1to1	S532085472493	1	KS	12,70 EUR / KS
4	Foot-floor left/3 1to1	S532018472273	1	KS	21,07 EUR / KS
5	Screw M 8x25 ISO 7380-2	N309578565	4	KS	0,15 EUR / KS
6	Display KS004162 2023	N443433016	1	KS	98,73 EUR / KS
7	Solenoid Trombetta 764-1221-210	N532151619	1	KS	7,95 EUR / KS
8	Not used in this performance	NK00000000	1	KS	EUR /
9	Label 0-8732-336	N283292228	1	KS	0,29 EUR / KS
10	Label 0-8732-220 slope 12	N283293023	1	KS	0,44 EUR / KS
11	Ball BEARING FL M12	N324196022	1	KS	1,64 EUR / KS
12	Screw M 6X20	N309503548	2	KS	0,05 EUR / KS
13	Washer 6.4	N311210502	2	KS	0,05 EUR / KS
14	Nut M 6	N311129513	4	KS	0,05 EUR / KS
15	Cover 273 125 020 050	N273125006	2	KS	0,28 EUR / KS
16	Clip WSBH 1-0-1	N532150211	9	KS	0,21 EUR / KS
17	Screw M 8X25	N309503512	2	KS	0,11 EUR / KS
18	Screw M 5x12 DIN 7500D BN3326	N309578544	1	KS	0,05 EUR / KS
19	Steering wheel bushing 0-1652-226	N321841069	1	KS	1,48 EUR / KS
20	Screw M 6X25 DIN7991 10.9 Zinc	N309578503	2	KS	0,09 EUR / KS
21	Nut M 6 DIN 6926	N311129525	2	KS	0,05 EUR / KS
22	Ring 10x1,8 NBR SH 80	N273111104	4	KS	0,08 EUR / KS
23	Seating D7-201-802-010	N532150903	4	KS	0,41 EUR / KS
24	Pin D7-201-711-010	N532150904	4	KS	0,41 EUR / KS
25	Foot-floor holder 1TO1 2022	S532113413153	2	KS	2,11 EUR / KS
26	Silentblock backstop M6x18-25x12	N273192074	2	KS	1,72 EUR / KS
27	Foot-floor right/3 1to1	S532018472293	1	KS	21,07 EUR / KS
28	Foot-floor middle/3 1TO1	S532018472303	1	KS	14,06 EUR / KS
29	Not used in this performance	NK00000000	1	KS	EUR /
30	Ring 26x2	N273111038	1	KS	0,05 EUR / KS
31	Not used in this performance	NK00000000	1	KS	EUR /
32	Case 0-8642-236	N532151194	1	KS	6,09 EUR / KS
33	Switch VDD2S001 9ZZCR 100	N345329023	1	KS	17,18 EUR / KS
34	Switch box Delta 6900-47 P	N443861007	1	KS	11,07 EUR / KS
35	Starting key DELTA 688P-001	N443900137	1	SD	3,19 EUR / SD
36	Blind flange VL 35X25X1-3 black	N321841085	1	KS	EUR /
37	Not used in this performance	NK00000000	1	KS	EUR /
38	Steering column UJ	S532916422013	1	KS	27,36 EUR / KS
39	Buzzer PF 27 A 29 EP	N443312021	1	KS	3,69 EUR / KS
40	Label 1-8732-848 panel V2	N283293604	1	KS	2,14 EUR / KS
41	Sticker 1-8732-838 Dash-board R	N283293596	1	KS	3,71 EUR / KS
42	Not used in this performance	NK00000000	1	KS	EUR /
43	Switch 1932.3413	N345329025	1	KS	6,58 EUR / KS

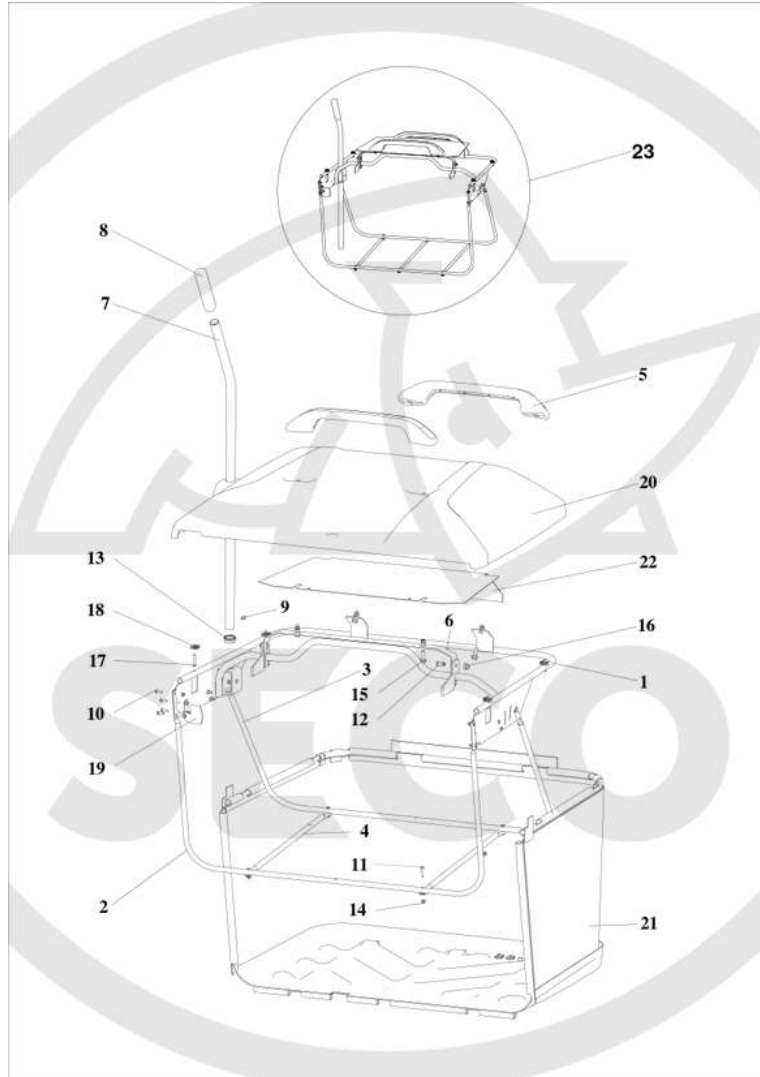


44	BATTERY HOLDER	S532113425353	2 KS	3,96 EUR / KS
45	Screw M8x45	N309503559	1 KS	0,10 EUR / KS
46	Blind flange G 20X15 (europlast)	N321841093	2 KS	0,41 EUR / KS
47	Panel reinforcement 1TO1	S532113422263	1 KS	15,03 EUR / KS
48	Screw M 5x16 ISO 7380 8.8	N309578532	2 KS	0,09 EUR / KS
49	Nut M 5 DIN 6926 Zinc	N311129524	2 KS	0,05 EUR / KS
50	Washer 5.3	N311212511	2 KS	0,05 EUR / KS
51	Cover, upper L 0-8547-251 1TO1	N532151834	1 KS	16,64 EUR / KS
52	Cover, upper L 0-8547-251 1TO1	N532151835	1 KS	16,64 EUR / KS
53	Screw M8x20 DIN 7500D BN 3326	N309578009	2 KS	0,21 EUR / KS
54	Fender, rear L 1TO1	S532113422283	1 KS	11,67 EUR / KS
55	Fender, rear R 1TO1	S532113422293	1 KS	11,67 EUR / KS
56	Screw M 8X16	N309503517	6 KS	0,05 EUR / KS
57	Nut M 8	N311129501	7 KS	0,05 EUR / KS
58	Screw M 6x12 DIN 7500 BN 3326	N309578546	8 KS	0,06 EUR / KS
59	Nut M 8 DIN 6926 8 Zinc	N532150290	6 KS	0,09 EUR / KS
60	Shell Nut M5 8366220000	N311101002	18 KS	0,33 EUR / KS
61	Screw M 5x16 ISO 7380-2 black Zn	N309578566	18 KS	0,05 EUR / KS

Model:  
Group:

KUJ8E-23-0001  
KUJ16-23-0003

Grasscollector UJ 380L

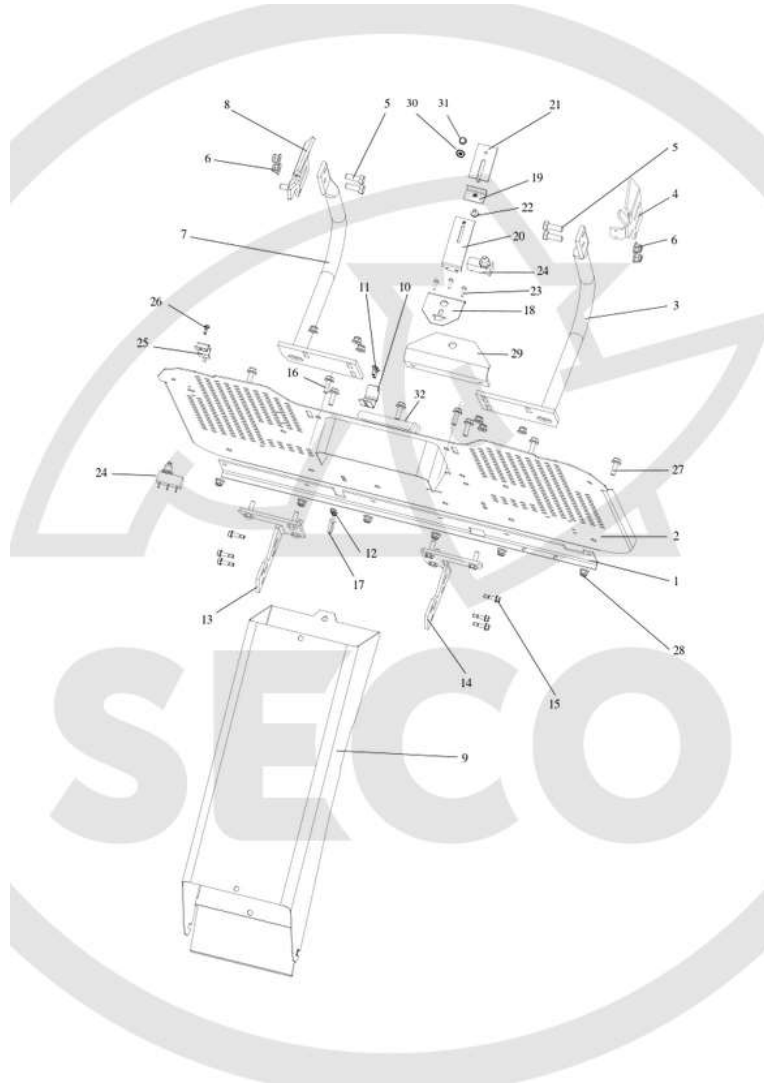


ID	Name	Item code	No.	UOM	Price
1	Frame upper UJ 1to1	S532974472833	1	KS	72,12 EUR / KS
2	Tube, front 1to1	S532074442383	1	KS	10,22 EUR / KS
3	Tube, rear 1to1	S532074442393	1	KS	11,35 EUR / KS
4	TRUBKA SPOJOVACÍ 380L 1TO1	S532074262153	3	KS	EUR /
5	Handle compl. 9-1346-243	N532151743	2	KS	11,06 EUR / KS
6	Reinforcement	S532015408543	1	KS	8,52 EUR / KS
7	Lever Dumping	S532074202013	1	KS	11,62 EUR / KS
8	Handle 0-8832-203	N532151744	1	KS	2,57 EUR / KS
9	Screw M 6x10 DIN 7500 D	N309578545	1	KS	0,06 EUR / KS
10	Screw M 5X16	N309203539	10	KS	0,05 EUR / KS
11	Bolt M 5X25	N309203557	6	KS	0,05 EUR / KS
12	Screw M 8X20 BN 1206	N309578535	2	KS	0,63 EUR / KS
13	Stopper, round 25MMx1 3 MM 111039	N532151505	1	KS	0,15 EUR / KS
14	Nut M 5 DIN 6926 Zinc	N311129524	16	KS	0,05 EUR / KS
15	Screw M 8X25 KL 100 RIPP V Zinc	N309503005	4	KS	0,45 EUR / KS
16	Nut M 8 DIN 6926 8 Zinc	N532150290	2	KS	0,09 EUR / KS
17	Screw M 5x30 DIN 6921 RIPP	N309578564	4	KS	0,26 EUR / KS
18	Shell Nut M5 8366220000	N311101002	4	KS	0,33 EUR / KS
19	Grass box-spring Snapper	S532097402233	1	KS	3,12 EUR / KS
20	Grass box lid 9-7447-298 1TO12022	N532151872	1	KS	136,29 EUR / KS
21	Grass bag 9-7432-228/380L 1TO1	N532151740	1	KS	66,50 EUR / KS
22	Shield, grass-box 1to1	S532085412133	1	KS	11,13 EUR / KS
23	Grass box frame UJ 380 I 1TO1	S532986022363	1	KS	252,11 EUR / KS

Model: KUJ8E-23-0001

Group: KUJ17-23-0001

Grassbox plate + tunnel UJ 102

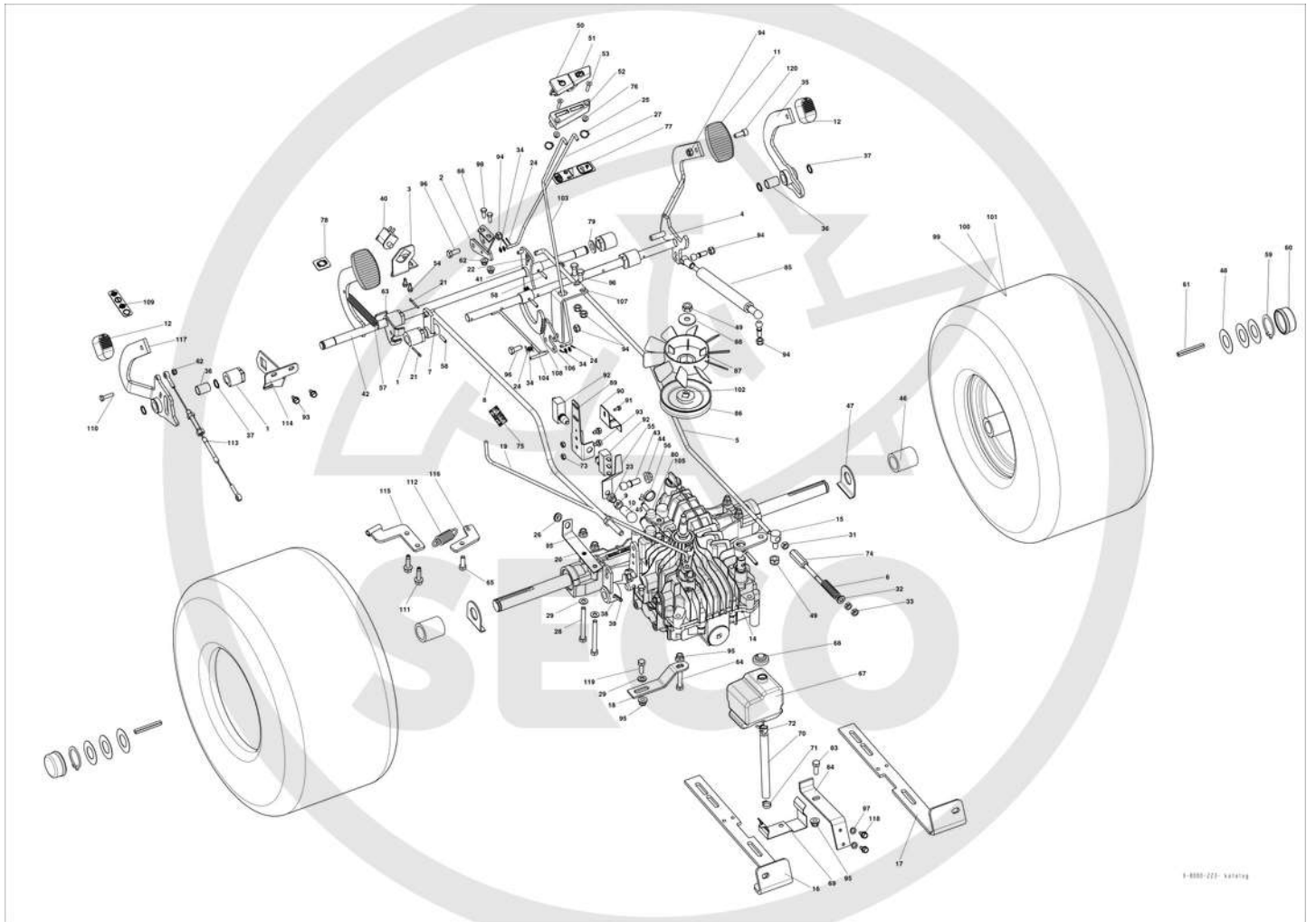


ID	Name	Item code	No.	UOM	Price
1	Reinforcement	S532113403233	1	KS	7,04 EUR / KS
2	Board compl. 1to1	S532974422483	1	KS	51,58 EUR / KS
3	Holder left UJ	S532974432523	1	KS	25,60 EUR / KS
4	Holder left UJ	S532913362033	1	KS	9,07 EUR / KS
5	Screw M 10X30	N309503510	4	KS	0,16 EUR / KS
6	Nut M 10 DIN 6926 Zinc	N311129523	4	KS	0,12 EUR / KS
7	Holder right UJ	S532974432513	1	KS	25,60 EUR / KS
8	Holder right UJ	S532913362043	1	KS	9,07 EUR / KS
9	Discharge tunnel UJ102	S532974472723	1	KS	43,74 EUR / KS
10	Spring	S532097464993	1	KS	6,91 EUR / KS
11	Screw M 5X16 Zinc	N309019514	2	KS	0,05 EUR / KS
12	Nut M 5 DIN 6923 8 Zn toothed	N311129532	2	KS	0,05 EUR / KS
13	Plate holder right	S532913405713	1	KS	13,01 EUR / KS
14	Plate holder left	S532913405723	1	KS	13,01 EUR / KS
15	SCREW M 6X16 DIN 7500D BN 3326	N309578517	6	KS	0,10 EUR / KS
16	Screw M8x25 DIN 6921 with teeth	N309578555	2	KS	0,19 EUR / KS
17	Clip WSBH 1-0-1	N532150211	3	KS	0,21 EUR / KS
18	Plug plate	S532114302043	1	KS	0,48 EUR / KS
19	Holder	S532113408353	1	KS	0,75 EUR / KS
20	Plug plate	S532014417343	1	KS	0,43 EUR / KS
21	Plug plate	S532014417353	1	KS	0,43 EUR / KS
22	Screw M 6x10 KL 100 RIPP Zinc	N309503579	1	KS	0,25 EUR / KS
23	Screw M 6x10 DIN 7500 D	N309578545	3	KS	0,06 EUR / KS
24	Microswitch MKH 12 D 13-S1	N345359004	2	KS	7,94 EUR / KS
25	Switch cover	S532085415813	1	KS	1,63 EUR / KS
26	Screw M 5x12 DIN 7500D BN3326	N309578544	1	KS	0,05 EUR / KS
27	Screw M 8X25 DIN 6921 8.8 Zinc	N309578011	6	KS	0,28 EUR / KS
28	Nut M 8 DIN 6926 8 Zinc	N532150290	12	KS	0,09 EUR / KS
29	Tow hitch	S532113402453	1	KS	3,00 EUR / KS
30	Control head 0-8060-201	N532151790	1	KS	0,47 EUR / KS
31	Screw M6X16	N309503508	1	KS	0,05 EUR / KS
32	Edging with steel fibre 22-6784-1	N273232022	0	M	2,07 EUR / M

Model: KIJ8E-23-0001

Group: KIJ18-22-0006

Drive and brace control



ID	Name	Item code	No.	UOM	Price
1	Case 0-9462-203	N722643024	5	KS	0,30 EUR / KS
2	Latch	S532037322233	1	KS	1,53 EUR / KS
3	Switch holder	S532113402693	1	KS	1,77 EUR / KS
4	Travel lever UJ	S532980442663	1	KS	23,91 EUR / KS
5	Brake rod 0-8041-202 K62	N532151369	1	KS	5,28 EUR / KS
6	Spring TLZ 250.150.0530 Zinc	N315231240	1	KS	0,45 EUR / KS
7	Arm complete	S532980364823	1	KS	5,83 EUR / KS
8	Travel lever	S532980422023	1	KS	11,37 EUR / KS
9	Nut M 10	N311150506	1	KS	0,05 EUR / KS
10	Ball bushing 16DIN71805B ZnBN489	N442073005	1	KS	3,91 EUR / KS
11	Foot pedal plastic 0-8051-202	N532151568	2	KS	0,94 EUR / KS
12	Pedal cover 0-8832-234	N273151013	2	KS	2,66 EUR / KS
13	Not used in this performance	NK00000000	1	KS	EUR /
14	Transmission K62 M2 TT with diff.	N532991074	1	KS	739,61 EUR / KS
15	Screw	S532090164473	1	KS	8,81 EUR / KS
16	Plate holder left	S532113408693	1	KS	6,13 EUR / KS
17	Plate holder right	S532113408703	1	KS	6,13 EUR / KS
18	Gear-box holder K46/K62 UJ	S532113412043	1	KS	2,49 EUR / KS
19	Bypass rod 0-8041-204	N532151370	1	KS	2,41 EUR / KS
20	Bypass holder K62	S532113402063	1	KS	1,24 EUR / KS
21	Spindle 3.2x25	N311338517	5	KS	0,05 EUR / KS
22	Spindle 3.2x20	N311338516	1	KS	0,05 EUR / KS
23	Nut M 10 DIN 6926 Zinc	N311129523	1	KS	0,12 EUR / KS
24	Spindle 1.6x12	N311338513	8	KS	0,05 EUR / KS
25	Lock ring 14	N311733004	2	KS	0,05 EUR / KS
26	Rubber sleeve 9x2	N273121014	1	KS	0,21 EUR / KS
27	Latch tie rod 0-8042-210 1to1	N532151747	1	KS	4,47 EUR / KS
28	Screw M 8x85	N309501573	4	KS	0,21 EUR / KS
29	Washer 8.4	N311210503	5	KS	0,05 EUR / KS
30	Washer 10.5	N311210504	1	KS	0,05 EUR / KS
31	Nut M 8	N311150503	1	KS	0,05 EUR / KS
32	Washer 8.4	N311210503	1	KS	0,05 EUR / KS
33	Nut M 8	N311120520	2	KS	0,05 EUR / KS
34	Washer 5.3	N311210501	8	KS	0,05 EUR / KS
35	Reverse pedal UJ	S532980463483	1	KS	11,71 EUR / KS
36	Bushing 1625 KU	N323721006	2	KS	0,87 EUR / KS
37	Ring 16	N311733006	4	KS	0,05 EUR / KS
38	LEVER - COMPLETE	S532929462053	1	KS	5,01 EUR / KS
39	Spring pin 6X40	N315238049	1	KS	0,11 EUR / KS
40	Seat switch Delta 6440-04	N000532079	1	KS	3,21 EUR / KS
41	Brake foot complete	S532980365403	1	KS	10,14 EUR / KS
42	Brake pedal UJ	S532980442653	1	KS	25,65 EUR / KS
43	Zinc Angle Joint 16Din	N442073003	1	KS	1,36 EUR / KS

44	Nut M 10 DIN 6923 8 Zinc. toothed	N311129516	1	KS	0,21	EUR / KS
45	SAFETY U - STRAP 16 DIN 71805 S Z	N442073006	1	KS	0,27	EUR / KS
46	Spacer	S532195203703	2	KS	6,00	EUR / KS
47	Washer	S532092208553	2	KS	1,83	EUR / KS
48	Washer	S532092208083	10	KS	0,62	EUR / KS
49	Nut M 10	N311129502	1	KS	0,05	EUR / KS
50	Cruise-control lever 0-8066-205	N443900162	1	KS	1,03	EUR / KS
51	Parking lever 0-8066-206 1to1	N443900160	1	KS	1,03	EUR / KS
52	Lever holder,cc.&brake 0-8066-207	N443900161	1	KS	1,45	EUR / KS
53	Screw M 5x25 DIN7991 10.9 Zinc	N309578510	2	KS	0,05	EUR / KS
54	Screw M 5x12 DIN 7500D BN3326	N309578544	2	KS	0,05	EUR / KS
55	Reset spring	S532097412053	1	KS	2,98	EUR / KS
56	Clip WSBH 1-0-1	N532150211	1	KS	0,21	EUR / KS
57	Spring 0-9746-445	N315231161	1	KS	0,48	EUR / KS
58	Spring pin 5x22 ISO 8748	N315238058	3	KS	0,05	EUR / KS
59	Lock ring SE-98 1	N311732024	2	KS	0,11	EUR / KS
60	Cap 0-8025-201 49x25	N532151655	2	KS	1,08	EUR / KS
61	Key 0-9231-224	N311726100	2	KS	0,28	EUR / KS
62	Nut M 6 DIN 6926	N311129525	3	KS	0,05	EUR / KS
63	Washer 17	N311210507	2	KS	0,06	EUR / KS
64	Bolt M5x35	N309503556	1	KS	0,12	EUR / KS
65	Screw M 8X25	N309503512	1	KS	0,11	EUR / KS
66	Ratchet holder	S532113408683	1	KS	1,10	EUR / KS
67	Expansion tank 0-2766-212 K 62	N532150916	1	KS	5,98	EUR / KS
68	Bleeder Valvel 1A 6320-24250	N532150374	1	KS	5,30	EUR / KS
69	TANK HOLDER 1A 6320-84951	N532150375	1	KS	3,44	EUR / KS
70	Fuel hose SC	S532986018023	1	KS	9,74	EUR / KS
71	Hose clip 8-12 Zinc	N548241017	1	KS	0,57	EUR / KS
72	Clip UM 5008	N000532058	1	KS	2,43	EUR / KS
73	Nut M6	N311150504	2	KS	0,09	EUR / KS
74	Screw 0-8011-246 K62	N309599043	1	KS		EUR /
75	Label 0-8732-311	N283292192	1	KS	0,14	EUR / KS
76	Nut M 5 DIN 6926 Zinc	N311129524	2	KS	0,05	EUR / KS
77	Label 0-8732-208 Travel	N283293028	1	KS	0,44	EUR / KS
78	Label 1-8732-363 Brake	N283293029	1	KS	0,18	EUR / KS
79	Washer 16X22X1 DIN 988 L 07	N311219496	2	KS	0,25	EUR / KS
80	Filling throat 0-8247-210 Zn	N202801002	1	KS	10,29	EUR / KS
81	Not used in this performance	NK00000000	1	KS		EUR /
82	Not used in this performance	NK00000000	1	KS		EUR /
83	Screw M 8X16	N309503517	1	KS	0,05	EUR / KS
84	Tank holder K62/UJ	S532113412103	1	KS	1,98	EUR / KS
85	Travel damper K22 621 100 006	N532151429	1	KS	45,22	EUR / KS
86	Pulley P/N 192154-89061	N532150415	1	KS	24,75	EUR / KS
87	Fan P/N 5069481-01	N532150414	1	KS	4,80	EUR / KS
88	Washer 11	N311212507	1	KS	0,11	EUR / KS

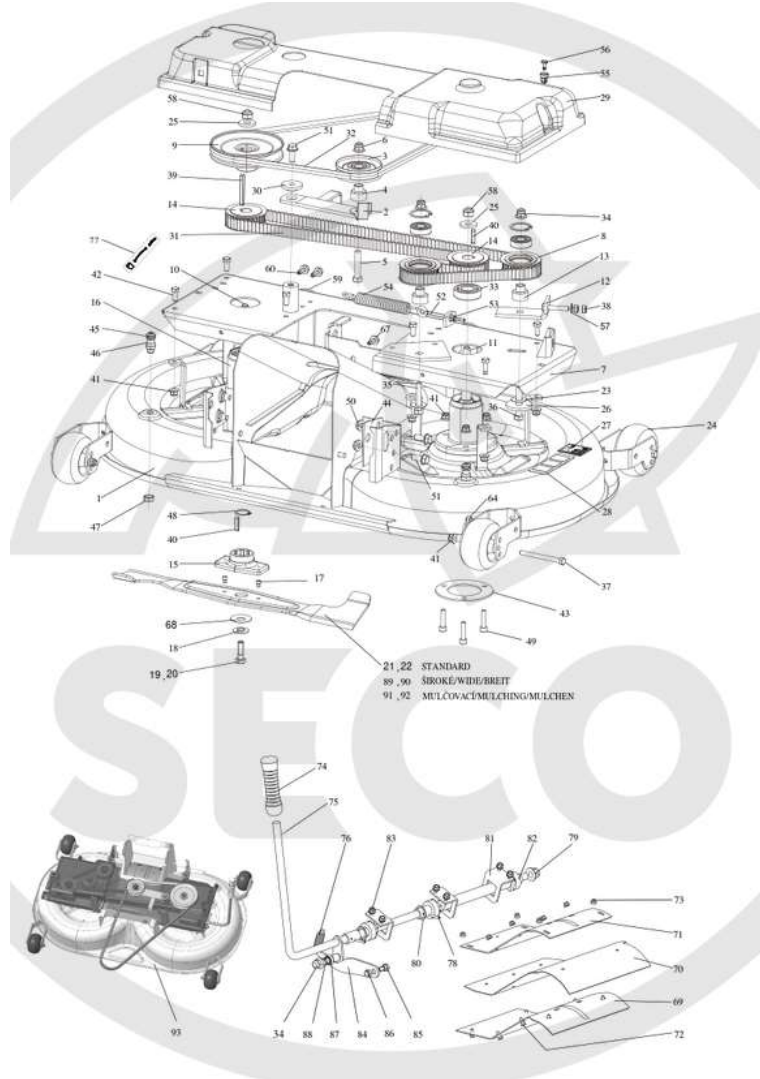


89	Switch holder UJ	S532014402173	1 KS	1,75 EUR / KS
90	Neutral-switch cover	S532014412013	1 KS	1,12 EUR / KS
91	Screw M 4X8 D 7500 D	N309578507	1 KS	0,09 EUR / KS
92	Microswitch MKH 12 D 13-S1	N345359004	2 KS	7,94 EUR / KS
93	Screw M 6x10 DIN 7500 D	N309578545	4 KS	0,06 EUR / KS
94	Nut M 8	N311129501	8 KS	0,05 EUR / KS
95	Nut M 8 DIN 6926 8 Zinc	N532150290	8 KS	0,09 EUR / KS
96	Screw M8X20	N309503518	4 KS	0,11 EUR / KS
97	Washer 6.4	N311210502	3 KS	0,05 EUR / KS
98	Screw M 6X20	N309503548	2 KS	0,05 EUR / KS
99	Wheel rear 20x10.00-8 Grassmaster	N532940166	2 KS	75,96 EUR / KS
100	Wheel disc rear 7.00lx8H2 OTR SK2	N325111025	2 KS	28,22 EUR / KS
101	Tyre rear 20/10x8 Multi trac	N274161024	2 KS	47,52 EUR / KS
102	Ring 26x2	N273111038	1 KS	0,05 EUR / KS
103	Cruise-control tie rod 0-8042-211	N532151748	1 KS	4,65 EUR / KS
104	Rod of Cruise-control resetting	N532151724	1 KS	3,73 EUR / KS
105	Ring 17.13X2.62 NBR 70SHA	N273111103	1 KS	0,09 EUR / KS
106	Cruise control latch	S532037322253	1 KS	1,08 EUR / KS
107	Safety pin holder	S532113408673	1 KS	1,92 EUR / KS
108	Cruise control ratchet	S532937362103	1 KS	9,29 EUR / KS
109	Label 1-8732-401 diff-lock UJ	N283293164	1 KS	0,16 EUR / KS
110	Screw M 6X25	N309503551	1 KS	0,11 EUR / KS
111	Screw M8X30 DIN 7500D BN 3326	N309578518	2 KS	0,35 EUR / KS
112	Spring 0-9746-493 Diff.lock	N315231239	1 KS	1,53 EUR / KS
113	Cable connection diff-lock	N443900154	1 KS	9,55 EUR / KS
114	Diff-lock & cable holder UJ	S532113402443	1 KS	4,02 EUR / KS
115	Holder	S532913462813	1 KS	4,44 EUR / KS
116	Foot complete	S532980365163	1 KS	EUR /
117	Diff-lock pedal UJ	S532980462163	1 KS	14,55 EUR / KS
118	Screw M 6x20 DIN 7500	N309578538	2 KS	0,09 EUR / KS
119	Screw M 8X25 DIN 6921 8.8 Zinc	N309578011	1 KS	0,28 EUR / KS
120	Screw M 8X20	N309543506	2 KS	0,05 EUR / KS

Model: KIJ8E-23-0001

Group: KIJ20-22-0005

Mowing unit UJ102



ID	Name	Item code	No.	UOM	Price
1	Blades cover compl. plug UJ	S532950472393	1	KS	169,06 EUR / KS
2	Holder compl.	S532913424393	1	KS	11,47 EUR / KS
3	Pulley Compensa C-00237/2	N532150784	1	KS	5,84 EUR / KS
4	Pulley spacer	S532094212013	1	KS	3,26 EUR / KS
5	Screw M 10X55	N309203525	1	KS	0,16 EUR / KS
6	Nut M 10 DIN 6926 Zinc	N311129523	3	KS	0,12 EUR / KS
7	Main board	S532985423963	1	KS	38,90 EUR / KS
8	Pulley 28 Z 9-3371-312	N532150836	2	KS	11,88 EUR / KS
9	Pulley compl. 9-3325-234	N532150165	1	KS	14,62 EUR / KS
10	Shaft	S532038128033	1	KS	21,56 EUR / KS
11	Shaft	S532038128023	1	KS	20,63 EUR / KS
12	Foot compl.	S532914412013	1	KS	4,83 EUR / KS
13	Pulley spacer	S532094212013	2	KS	3,26 EUR / KS
14	Pulley 9-3371-277	N532150860	2	KS	10,54 EUR / KS
15	Flange	S532098212403	2	KS	13,62 EUR / KS
16	Flange	S532038523833	2	KS	20,06 EUR / KS
17	Shear Stud 0-9311-736 ( 100 PCs )	N532980077	4	KS	13,28 EUR / 100 KS
18	Washer	S532092207493	2	KS	1,15 EUR / KS
19	Screw 0-9011-283 M10 Left	N309599008	1	KS	1,48 EUR / KS
20	Screw 0-9011-287 M10	N309599017	1	KS	1,08 EUR / KS
21	Rotary blade left (102)	S532050422103	1	KS	17,97 EUR / KS
22	Rotary blade right (102)	S532050422113	1	KS	17,97 EUR / KS
23	Washer	S532092202133	5	KS	0,79 EUR / KS
24	Cutting wheel Etop 100-8,2	N532940128	4	KS	3,90 EUR / KS
25	Washer	S532092207273	2	KS	0,29 EUR / KS
26	Washer	S532092207533	1	KS	1,01 EUR / KS
27	Label 0-8732-559 Noise 100 dB	N283292437	1	KS	0,25 EUR / KS
28	Decal-safety 0-8730-510	N283292121	2	KS	0,12 EUR / KS
29	Pulley cover 0-8547-206 102	N532151373	1	KS	18,89 EUR / KS
30	WASHER	S532092212293	1	KS	2,58 EUR / KS
31	Two-sided toothed belt 1760	N272211006	1	KS	32,34 EUR / KS
32	V-belt B 17x1425 Li BBT	N272731239	1	KS	8,16 EUR / KS
33	Bearing 6205 2 RS C 66IB	N324162099	4	KS	3,03 EUR / KS
34	Nut M 10 DIN 6926 Zinc	N311129523	2	KS	0,12 EUR / KS
35	Screw M 10X55	N309203525	1	KS	0,16 EUR / KS
36	Screw M 10X60	N309503577	1	KS	0,28 EUR / KS
37	Screw M 8X90	N309501567	4	KS	0,20 EUR / KS
38	Nut M 8	N311150503	2	KS	0,05 EUR / KS
39	Tongue 6E7x6x63	N311726086	1	KS	0,42 EUR / KS
40	Key 6E7X6X28	N311726091	3	KS	0,32 EUR / KS
41	Nut M 8 DIN 6926 8 Zinc	N532150290	16	KS	0,09 EUR / KS
42	Screw M8X20	N309503518	6	KS	0,11 EUR / KS
43	Cutting reinforcement	S532098203373	2	KS	4,46 EUR / KS

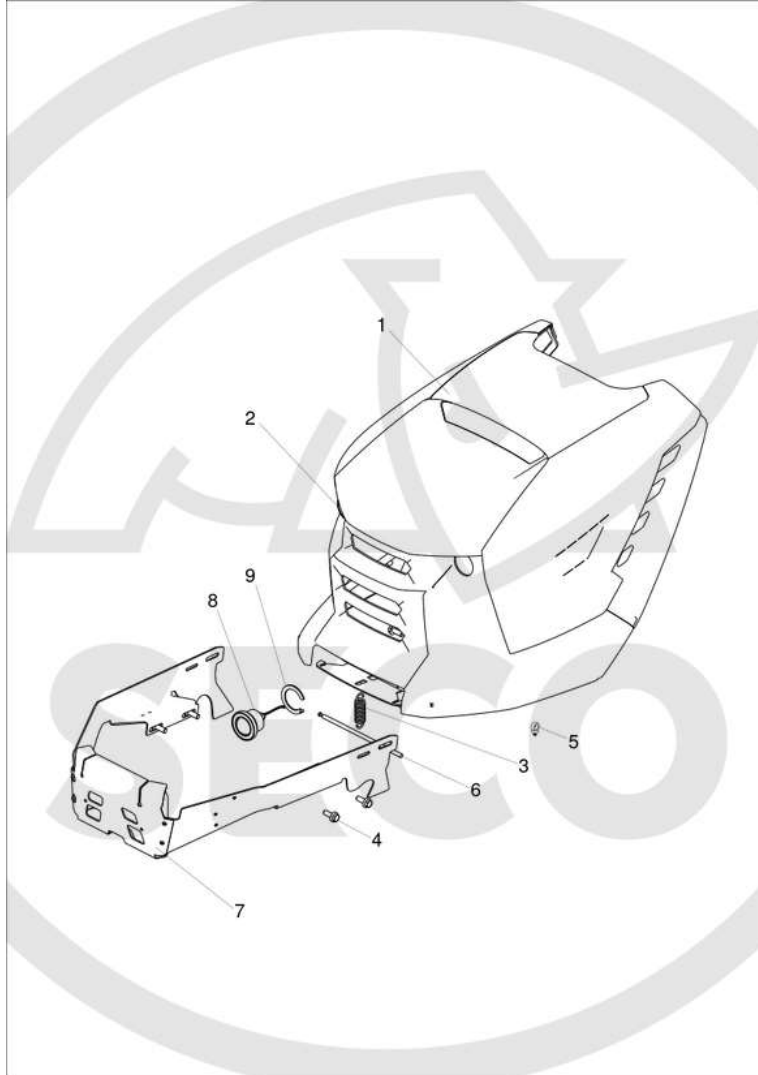
44	Cutting foot	S532014417363	2 KS	1,88 EUR / KS
45	Quick fastener 0-9026-246	N532150533	2 KS	2,81 EUR / KS
46	Ring 10.78X2.62 NBR 70-SH	N273111057	2 KS	0,11 EUR / KS
47	Nut M 12	N311120511	2 KS	0,05 EUR / KS
48	Lock ring 25	N311733014	2 KS	0,15 EUR / KS
49	Screw M 8X35	N309503543	6 KS	0,11 EUR / KS
50	Nut M10 RIPP KL 10 BN 2798	N311129522	4 KS	0,68 EUR / KS
51	Screw M10X25KL100 Ripp. V. DACROM	N309578529	5 KS	0,87 EUR / KS
52	Screw M 6x80 with eye BN1006 Zinc	N309578523	1 KS	0,80 EUR / KS
53	Nut M 6 DIN 6926	N311129525	1 KS	0,05 EUR / KS
54	Spring 0-9746-460	N315231193	1 KS	1,81 EUR / KS
55	Seating D7-201-802-010	N532150903	2 KS	0,41 EUR / KS
56	Pin D7-201-711-010	N532150904	2 KS	0,41 EUR / KS
57	Washer 9 Zinc	N311212517	1 KS	0,05 EUR / KS
58	Nut M 12	N311129505	2 KS	0,09 EUR / KS
59	Backstop	S532114322063	2 KS	1,55 EUR / KS
60	SCREW M 6X16 DIN 7500D BN 3326	N309578517	4 KS	0,10 EUR / KS
61	Not used in this performance	NK00000000	1 KS	EUR /
62	Not used in this performance	NK00000000	1 KS	EUR /
63	Not used in this performance	NK00000000	1 KS	EUR /
64	Not used in this performance	NK00000000	1 KS	EUR /
65	Not used in this performance	NK00000000	1 KS	EUR /
66	Not used in this performance	NK00000000	1 KS	EUR /
67	Screw M 8x16 DIN 7500 D BN3326	N309578520	2 KS	0,24 EUR / KS
68	Washer BN 806-40x16.3x2x3.1	N311219503	2 KS	1,01 EUR / KS
69	Plug UJ	S532980422523	1 KS	19,21 EUR / KS
70	Shield 0-9632-206 UJ T1	N273192062	1 KS	1,87 EUR / KS
71	Holder	S532113412143	1 KS	4,67 EUR / KS
72	Screw M 5X12	N309203548	8 KS	0,05 EUR / KS
73	Nut M 5 DIN 6926 Zinc	N311129524	8 KS	0,05 EUR / KS
74	Handle 511-035-14 (32x114) black	N532151195	1 KS	1,64 EUR / KS
75	Plug lever UJ	S532980412013	1 KS	31,09 EUR / KS
76	Spring 0-9746-506 2.25	N315231267	1 KS	1,80 EUR / KS
77	Label 1-8732-485 plug control UJ	N283293263	1 KS	0,20 EUR / KS
78	Spring pin 4x28	N315238008	2 KS	0,14 EUR / KS
79	Nut M 12 DIN 6926	N311129526	1 KS	0,19 EUR / KS
80	Washer 22x30x1 DIN 988	N311219529	2 KS	0,14 EUR / KS
81	Plug holder	S532113402743	3 KS	1,94 EUR / KS
82	Bushing 0-9462-201	N722643022	3 KS	0,16 EUR / KS
83	Screw M 6x12 DIN 7500 BN 3326	N309578546	6 KS	0,06 EUR / KS
84	Foot, plug locking UJ	S532013322063	1 KS	1,45 EUR / KS
85	Carrier screw 0-9016-427	N309599012	1 KS	0,55 EUR / KS
86	Nut M 8	N311129501	1 KS	0,05 EUR / KS
87	Bearing 61800 2RS	N324162101	1 KS	1,67 EUR / KS
88	Washer 10x14x2 BN 739	N311219528	1 KS	0,21 EUR / KS

89	Blade 102 Left - High-Lift	S532050422473	1 KS	18,22 EUR / KS
90	Blade 102 Right - High-Lift	S532050422483	1 KS	18,22 EUR / KS
91	Rotary blade	S532050422683	1 KS	19,03 EUR / KS
92	Rotary blade	S532050422703	1 KS	19,03 EUR / KS
93	BAL. Č.843 ROTAČNÍ ŽACÍ STROJ UJ	S532986018433	1 KS	847,31 EUR / KS

Model: KUJ8E-23-0001

Group: KUJ21-23-0003

Engine hood UJ

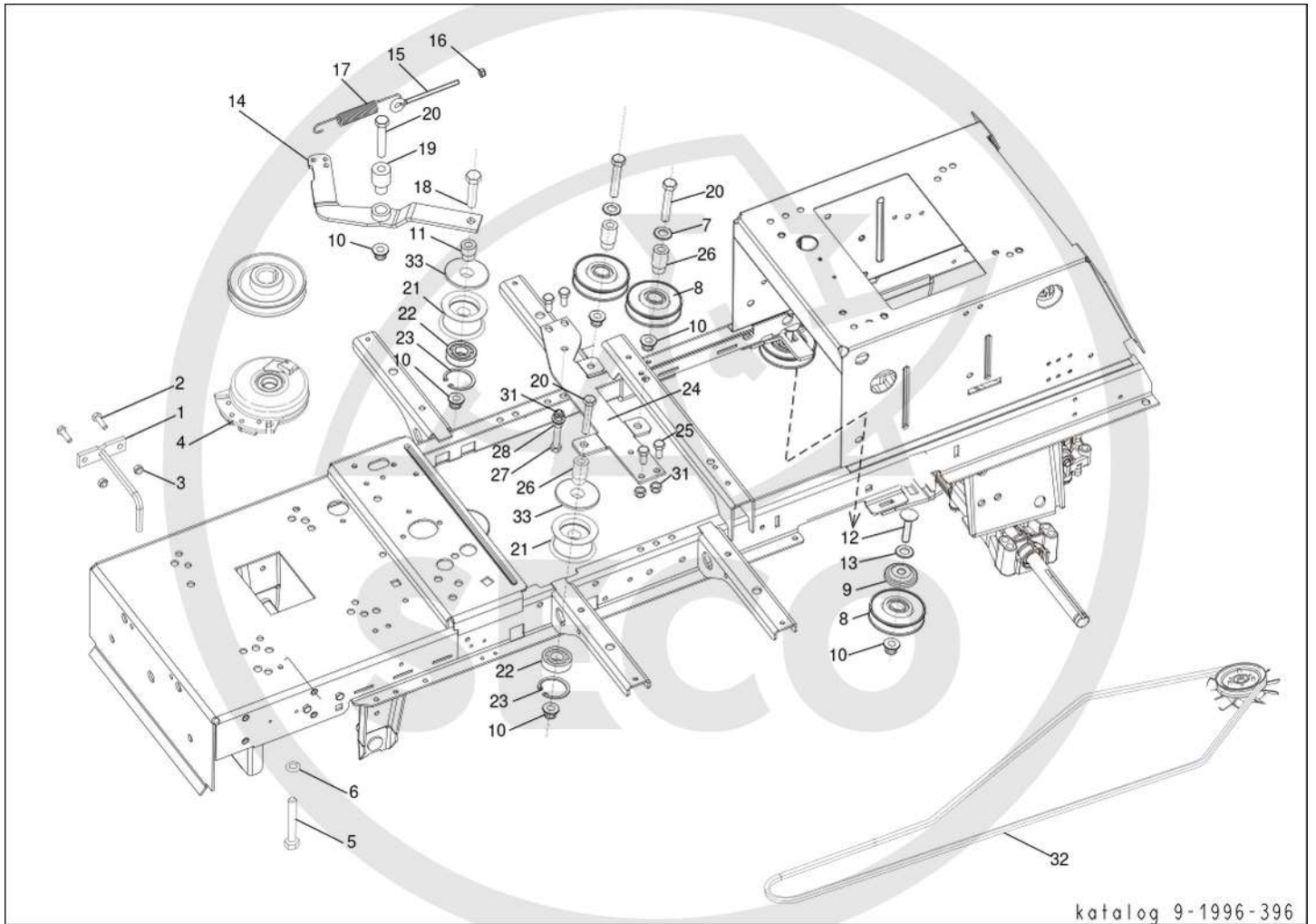


ID	Name	Item code	No.	UOM	Price
1	Hood compl. 9-1849-495 1TO1 2022	N532151871	1	KS	339,95 EUR / KS
2	Lights connection KS004137 1to1	N341271222	1	KS	4,95 EUR / KS
3	Spring 0-9746-472	N315231203	1	KS	0,29 EUR / KS
4	Screw M 10x25 DIN 6921	N309578554	4	KS	0,29 EUR / KS
5	Clip WSBH 1-0-1	N532150211	3	KS	0,21 EUR / KS
6	Safety bar	S532013102143	1	KS	3,14 EUR / KS
7	Bumper design 1TO1 2022 UJ	S532918452203	1	KS	35,98 EUR / KS
8	Light, main KS004133	N341271220	2	KS	25,27 EUR / KS
9	Arrestment ring KS004132	N341271221	2	KS	0,60 EUR / KS

Model: KIJ8E-23-0001

Group: KIJ22-22-0008

Elmg.Clutch and pulley



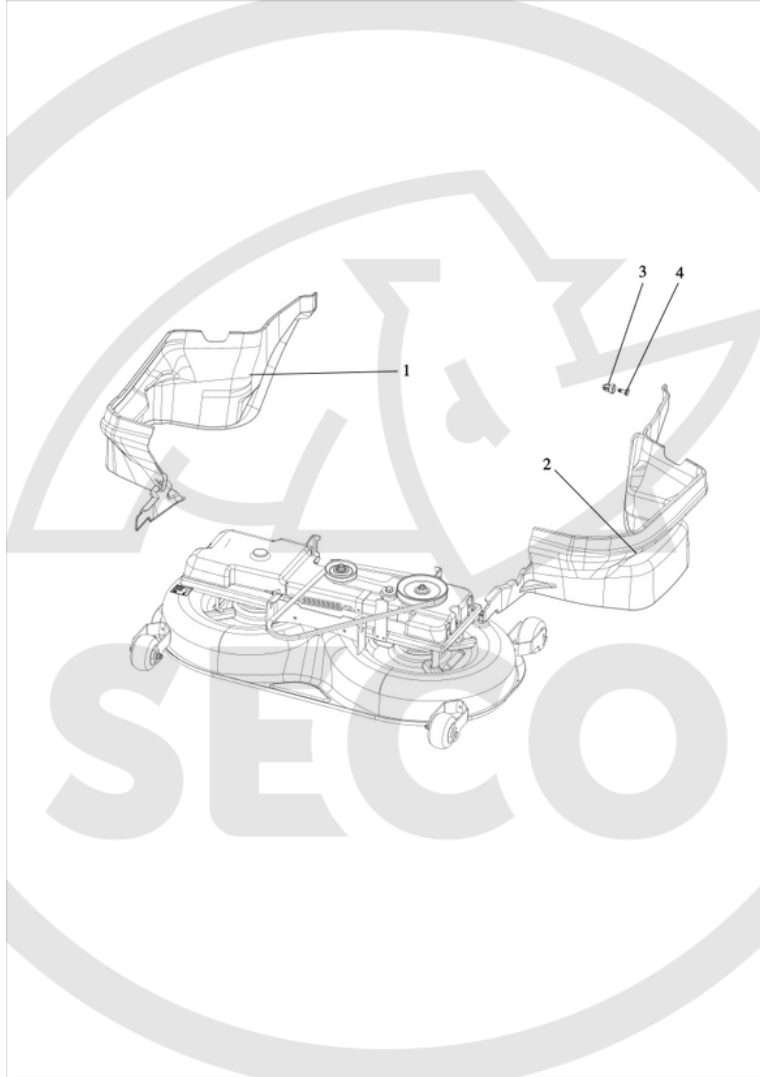


ID	Name	Item code	No.	UOM	Price
1	Clutch stopper	S532936362273	1	KS	4,32 EUR / KS
2	Screw M 6X20	N309503548	2	KS	0,05 EUR / KS
3	Nut M 6 DIN 6926	N311129525	2	KS	0,05 EUR / KS
4	Elmag. clutch I-5217-38	N532151196	1	KS	134,16 EUR / KS
5	Screw UNF 7/16"X3" 10.9 ZINK	N309579511	1	KS	3,28 EUR / KS
6	Washer NL 11 glued Dacromet	N311219516	1	KS	1,06 EUR / KS
7	Washer 10.5	N311210504	2	KS	0,05 EUR / KS
8	Pulley Compensa C-00237/1	N532150824	4	KS	4,43 EUR / KS
9	Cover C-00693 Compensa	N532151119	2	KS	0,95 EUR / KS
10	Nut M 10 DIN 6926 Zinc	N311129523	7	KS	0,12 EUR / KS
11	Tension pulley case	S532094214533	1	KS	3,18 EUR / KS
12	Screw M10X45 021319 Zinc	N309019531	2	KS	0,30 EUR / KS
13	Washer 13	N311210505	2	KS	0,05 EUR / KS
14	Travel-tension holder	S532913323073	1	KS	11,67 EUR / KS
15	Screw M 6x80 with eye BN1006 Zinc	N309578523	1	KS	0,80 EUR / KS
16	Nut M 6	N311129513	1	KS	0,05 EUR / KS
17	Spring 0-9746-497	N315231270	1	KS	1,35 EUR / KS
18	Screw M 10x45	N309203544	1	KS	0,27 EUR / KS
19	Bushing	S532094216023	1	KS	3,47 EUR / KS
20	Screw M 10X60	N309503577	4	KS	0,28 EUR / KS
21	Pulley tensioning 9-3325-296	N532151361	2	KS	9,38 EUR / KS
22	Bearing 6203 2 RS C 66 IB	N324162098	1	KS	2,60 EUR / KS
23	Lock ring 40	N311733079	1	KS	0,28 EUR / KS
24	Guide pulley holder	S532113422033	1	KS	3,78 EUR / KS
25	Screw M8X20	N309503518	4	KS	0,11 EUR / KS
26	Bushing D20 L37	S532094214173	3	KS	3,78 EUR / KS
27	Screw M 8X65	N309501536	1	KS	0,18 EUR / KS
28	Nut M 8	N311150503	2	KS	0,05 EUR / KS
29	Not used in this performance	NK00000000	1	KS	EUR /
30	Not used in this performance	NK00000000	1	KS	EUR /
31	Nut M 8	N311129501	5	KS	0,05 EUR / KS
32	V-belt VB 13x2655LI Optibelt	N272731255	1	KS	19,24 EUR / KS
33	Bearing cover 0-8022-201	N532151639	2	KS	0,73 EUR / KS

Model: KUJ8E-23-0001

Group: KUJ23-21-0003

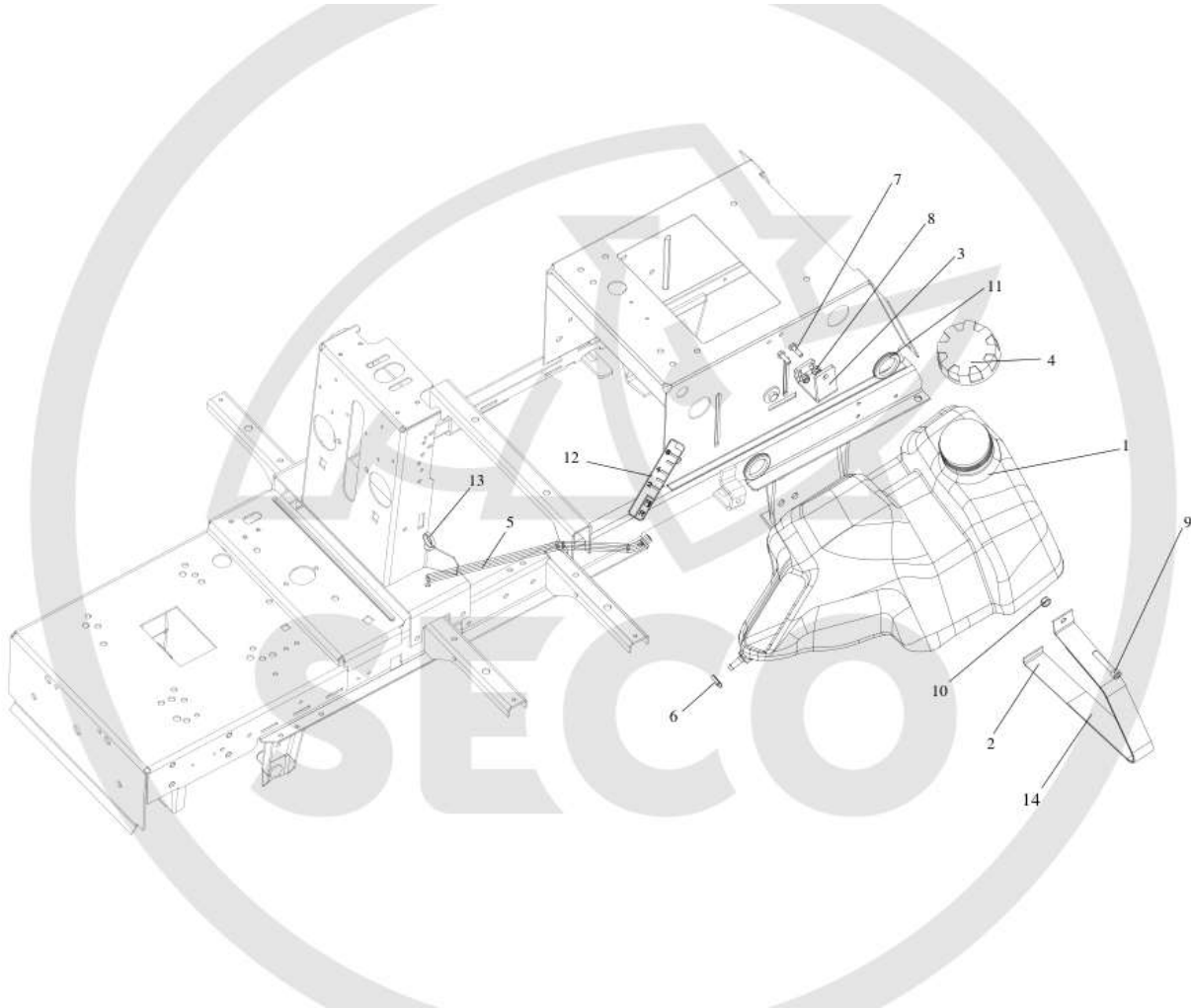
Mowing unit no.2 UJ102/122



<b>ID</b>	<b>Name</b>	<b>Item code</b>	<b>No.</b>	<b>UOM</b>	<b>Price</b>
1	Belt cover 0-8547-274R UJ102	N532151848	1	KS	16,64 EUR / KS
2	Belt cover 0-8547-273L UJ102/122	N532151847	1	KS	16,64 EUR / KS
3	Seating D7-201-802-010	N532150903	10	KS	0,41 EUR / KS
4	Pin D7-201-711-010	N532150904	10	KS	0,41 EUR / KS

Model: KIJ8E-23-0001  
Group: KIJ25-22-0001

Fuel tank

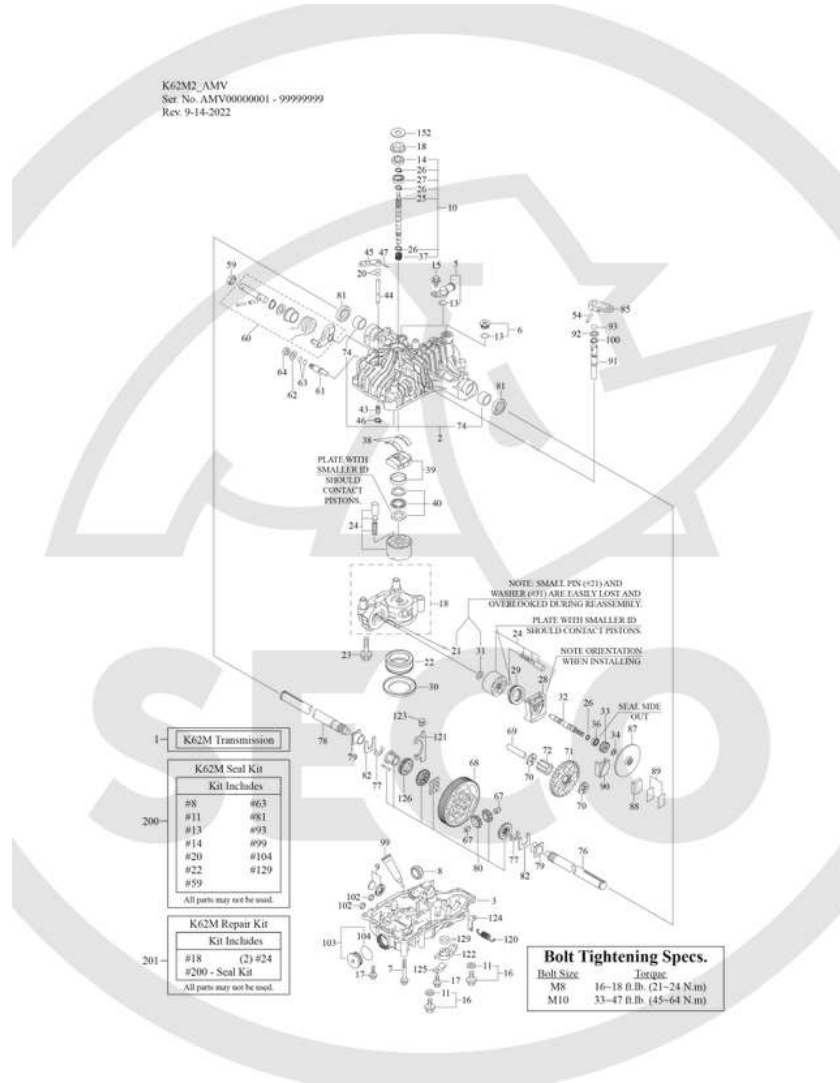


ID	Name	Item code	No.	UOM	Price
1	Fuel tank 0-2766-201 white/exh.UJ	N232130026	1	KS	27,12 EUR / KS
2	Tank holder UJ	S532013422073	1	KS	8,07 EUR / KS
3	HOLDER	S532013425133	1	KS	2,29 EUR / KS
4	Fuel tank Cap 9-2725-201	N321841017	1	KS	1,81 EUR / KS
5	Fuel hose for NJ, AJ, UJ	S532986018003	1	KS	3,79 EUR / KS
6	Clip UM 5008	N000532058	2	KS	2,43 EUR / KS
7	Screw M 6X20	N309503548	2	KS	0,05 EUR / KS
8	Nut M 6 DIN 6926	N311129525	2	KS	0,05 EUR / KS
9	Screw M 8x50 DIN 912 8.8 ZN	N309503574	1	KS	0,28 EUR / KS
10	Nut M 8	N311129501	1	KS	0,05 EUR / KS
11	Rubber sleeve 28.5x2	N273121038	2	KS	0,29 EUR / KS
12	Not used in this performance	NK00000000	1	KS	EUR /
13	Clip WSBH 1-0-1	N532150211	2	KS	0,21 EUR / KS
14	Washer 0-8530-609	N273192018	1	KS	0,96 EUR / KS

Model: KUJ8E-23-0001

Group: KTT62-23-0002

K62 M2 TUFF TORQ



ID	Name	Item code	No.	UOM	Price
1	Transmission K62 M2 TT with diff.	N532991074	1	KS	739,61 EUR / KS
5	Bearing plate 187Q0527100	S000000071286	1	KS	EUR /
6	Plug 187Q0599040	S000000070758	1	KS	4,93 EUR / KS
8	Oil Filter TT 46 1A632024320	S000000070460	1	KS	11,74 EUR / KS
9	magnet TT66 19216324350	S000000070461	1	KS	4,39 EUR / KS
12	Ring 35 K 46 22252000350	S000000070142	1	KS	0,83 EUR / KS
13	O-ring KXH 24311000180	S000000070563	1	KS	0,78 EUR / KS
14	Gasket 187T0134380	S000000070786	1	KS	7,10 EUR / KS
15	Screw KXH 26106080202	S000000071277	1	KS	EUR /
18	Case B 1A632024490	S000000070381	1	KS	EUR /
19	Ring 12 22272000120 TT	S000000070601	1	KS	0,30 EUR / KS
20	O-ring TT K66/20 24311240100	S000000070569	1	KS	0,21 EUR / KS
22	Oil filter 19215488211	S000000070372	1	KS	45,85 EUR / KS
24	Fluid motor 168T2025080/10CC	S000000070612	1	KS	93,28 EUR / KS
25	Input shaft TT 62 1A632025260	S000000070262	1	KS	EUR /
26	Lock ring S15 19215425310	S000000070619	1	KS	0,34 EUR / KS
28	Engine housing 1A632024210	S000000070902	1	KS	26,72 EUR / KS
38	Thrust plate 19215427051TT	S000000070603	1	KS	5,67 EUR / KS
39	Bearing plate 187Q0527100	S000000071278	1	KS	60,89 EUR / KS
45	Lever BYPASS TT46 1A632029520	S000000070253	1	KS	4,02 EUR / KS
54	Spring pin 6x40 22351060040	S000000070627	1	KS	0,64 EUR / KS
59	Gasket TC 162606 19406527270	S000000070755	1	KS	3,91 EUR / KS
62	Washer 12 KXH 22137120000	S000000070510	1	KS	0,88 EUR / KS
63	O-ring TT 66 24311000140	S000000070469	1	KS	0,15 EUR / KS
64	Nut 12 KXH 26776120002	S000000070511	1	KS	0,27 EUR / KS
68	Axle drive 1A632083540	S000000070378	1	KS	126,05 EUR / KS
74	Bearing TT66 19215434240	S000000070462	1	KS	4,12 EUR / KS
76	Half axle Left 1A632089111	S000000070379	1	KS	56,60 EUR / KS
77	Lock ring 23 19216734160	S000000070621	1	KS	1,33 EUR / KS
78	Shaft 1A632089211 Right	S000000070366	1	KS	69,93 EUR / KS
79	Bushing 19216734240	S000000070367	1	KS	3,10 EUR / KS
82	Thrust washer 1A632034290	S000000070620	1	KS	3,76 EUR / KS
85	Brake lever 1A632089870	S000000070774	1	KS	29,34 EUR / KS
87	Brake disc 1A632036110	S000000070891	1	KS	20,77 EUR / KS
88	Brake-shoe 1A632036120	S000000070368	1	KS	2,27 EUR / KS
89	Plates 1A632036170	S000000070369	1	KS	0,95 EUR / KS
90	Brake 1A632036201	S000000070370	1	KS	3,34 EUR / KS
92	Washer 16X23X1.6 1A632036190	S000000070754	1	KS	4,07 EUR / KS
93	O-ring TT 66 24311000120	S000000070473	1	KS	1,01 EUR / KS
103	Oil filter cap 1A637094450	S000000070609	1	KS	3,56 EUR / KS
104	O-ring 243512404001A 2040	S000000070625	1	KS	0,34 EUR / KS
120	Spring 19215333130 TT	S000000070766	1	KS	5,46 EUR / KS
122	Diff-lock lever 1A632087151	S000000070691	1	KS	25,49 EUR / KS



123 Lever pin 1A632087160 TT  
153 Fan K46 1A646083050

S000000070696  
S000000070136

1 KS  
1 KS

2,82 EUR / KS  
EUR /