

CAIMAN

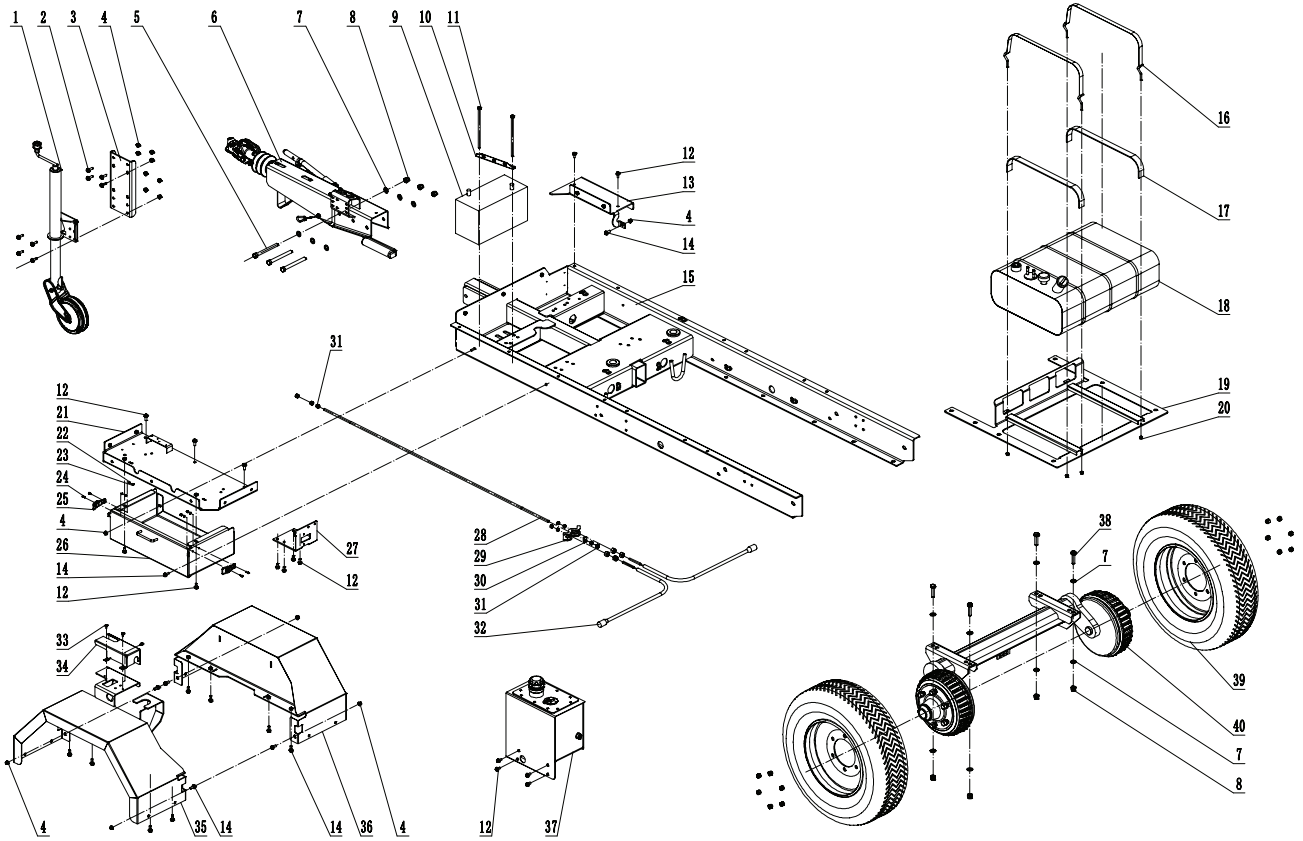
Измельчитель ветвей

GANSO 3300YD



CAIMAN

Chassis



CAIMAN

Chassis

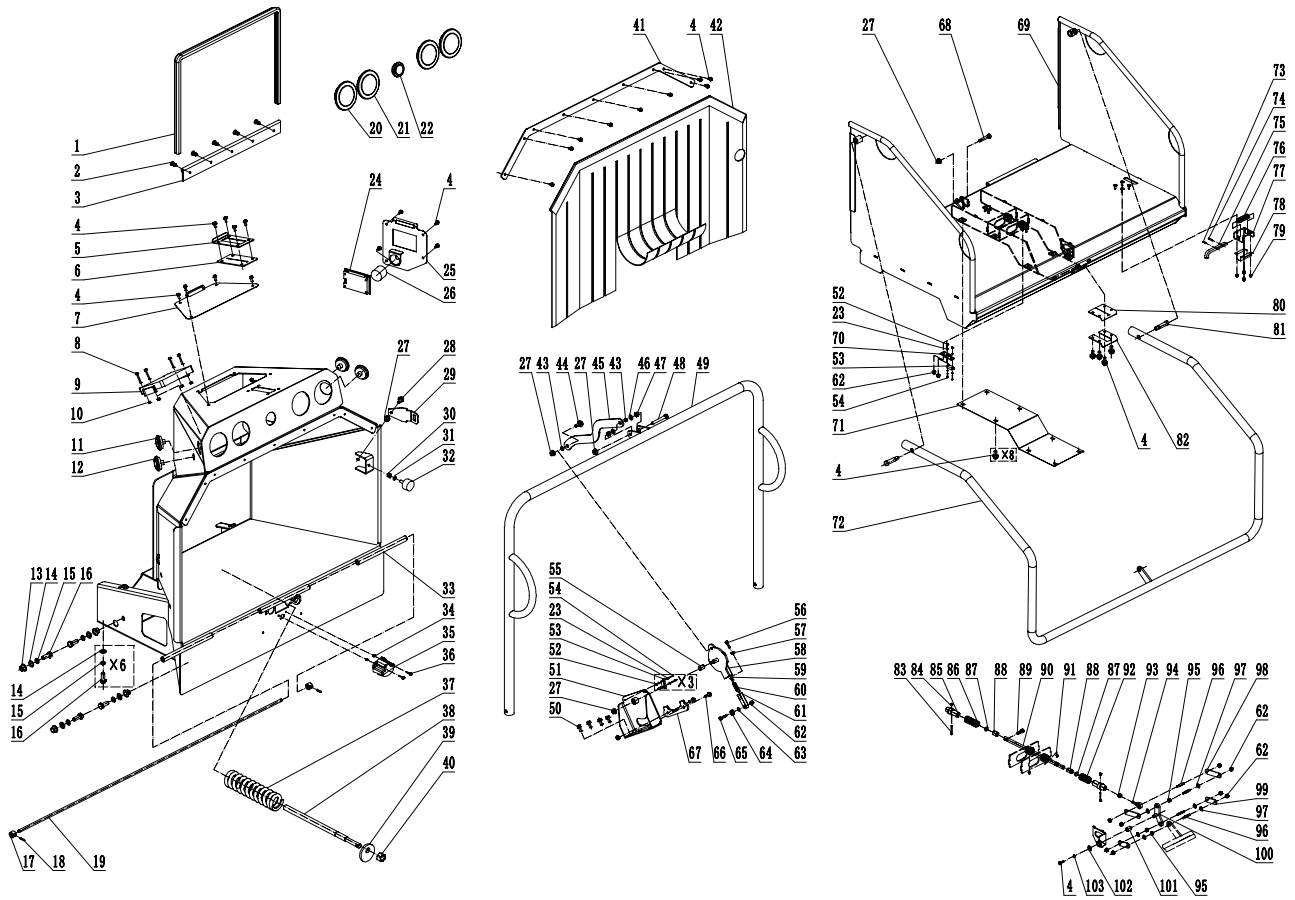
N°	Description	Part Number	Qty (UOM)
1	Guide wheel	U300-00001	1
2	Bolt - M10*30	UZT85-00028	8
3	Universal wheel bracket	U300-00002	1
4	Lock nut - M10	UZT85-00002	14
5	Bolt - M16*160	U300-00003	3
6	Inertial device	U300-00004	1
7	Flat washer - φ16	UR200-00071	14
8	Lock nut - M16	US270-00093	7
9	Storage battery	U300-00005	1
10	Battery pressure plate	U300-00006	1
11	Bolt - M10*240	U300-00007	2
12	Bolt - M10*20	UR200-00056	12
13	Pedal	U300-00008	1
14	Bolt - M10*25	UR200-00061	17
15	Chassis	U300-00009	1
16	Diesel tank steel strip	U300-00010	2
17	Rubber pad	U300-00011	2
18	Diesel tank	U300-00012	1
19	Diesel tank support	U300-00013	1
20	Lock nut - M8	UZT85-00263	4
21	Support fixing plate	U300-00014	1
22	Flat washer - φ5	U506-00049	4
23	Lock nut - M5	U455-00006	4
24	Screw - M5*16	UR810-00070	4
25	Handle	U300-00015	2
26	Water tank lower support	U300-00016	1
27	Filter support	U300-00017	1
28	Brake lever	U300-00018	1
29	Brake cable bracket	U300-00019	1
30	Rod pad	U300-00020	1
31	Nut - M12	UR200-00073	5
32	Brake cable	U300-00021	2

CAIMAN

N°	Description	Part Number	Qty (UOM)
33	Bolt - M6*12	U455-00009	3
34	Electromagnetic valve cover	U300-00022	1
35	Left wheel cover	U300-00023	1
36	Right wheel cover	U300-00024	1
37	Hydraulic tank	U300-00025	1
38	Bolt - M16*60	U300-00026	4
39	Wheel	U300-00027	2
40	Rear axle	U300-00028	1

CAIMAN

Feed Part



CAIMAN

Feed Part

N°	Description	Part Number	Qty (UOM)
1	Sealing strip	U300-00029	1
2	Rivet - M11*29	U300-00030	5
3	Rubber pad	U300-00031	1
4	Bolt - M8*16	U455-00002	34
5	Pressure plate	U300-00032	1
6	Rubber pad	U300-00033	1
7	Small cover plate	U300-00034	1
8	Bolt - M6*45	U300-00035	4
9	General control	U300-00036	1
10	Metal lock nut - M6	U455-00020	8
11	Turn signal	U300-00037	2
12	RESET	U300-00038	2
13	Metal lock nut - M16	UZT37-00016	4
14	Flat washer - ϕ 16	UR200-00071	10
15	Spring washer - ϕ 16	UR200-00069	10
16	Bolt - M16*40	U300-00039	10
17	Spacer sleeve	U300-00040	2
18	Plastic pin - 5*26	U300-00041	2
19	Shaft	U300-00042	1
20	Trailer tail lights	U300-00043	2
21	Trailer tail lights	U300-00044	2
22	Warning light	U300-00045	1
23	Flat washer - ϕ 3	UV160-00036	16
24	Display	U300-00046	1
25	Control panel	U300-00047	1
26	Ignition switch	U300-00048	1
27	Metal lock nut -M12	UZT37-00028	5
28	Bolt - M12*30	U536-00055	1
29	Bolt plate	U300-00049	1
30	Nut - M10	UT160-00022	1
31	Spring washer - ϕ 10	UR200-00070	1
32	Rubber shock absorber	U300-00050	1
33	Feed hopper	U300-00051	1
34	Lock nut - M5	U455-00006	2
35	License plate lamp	U300-00052	1

CAIMAN

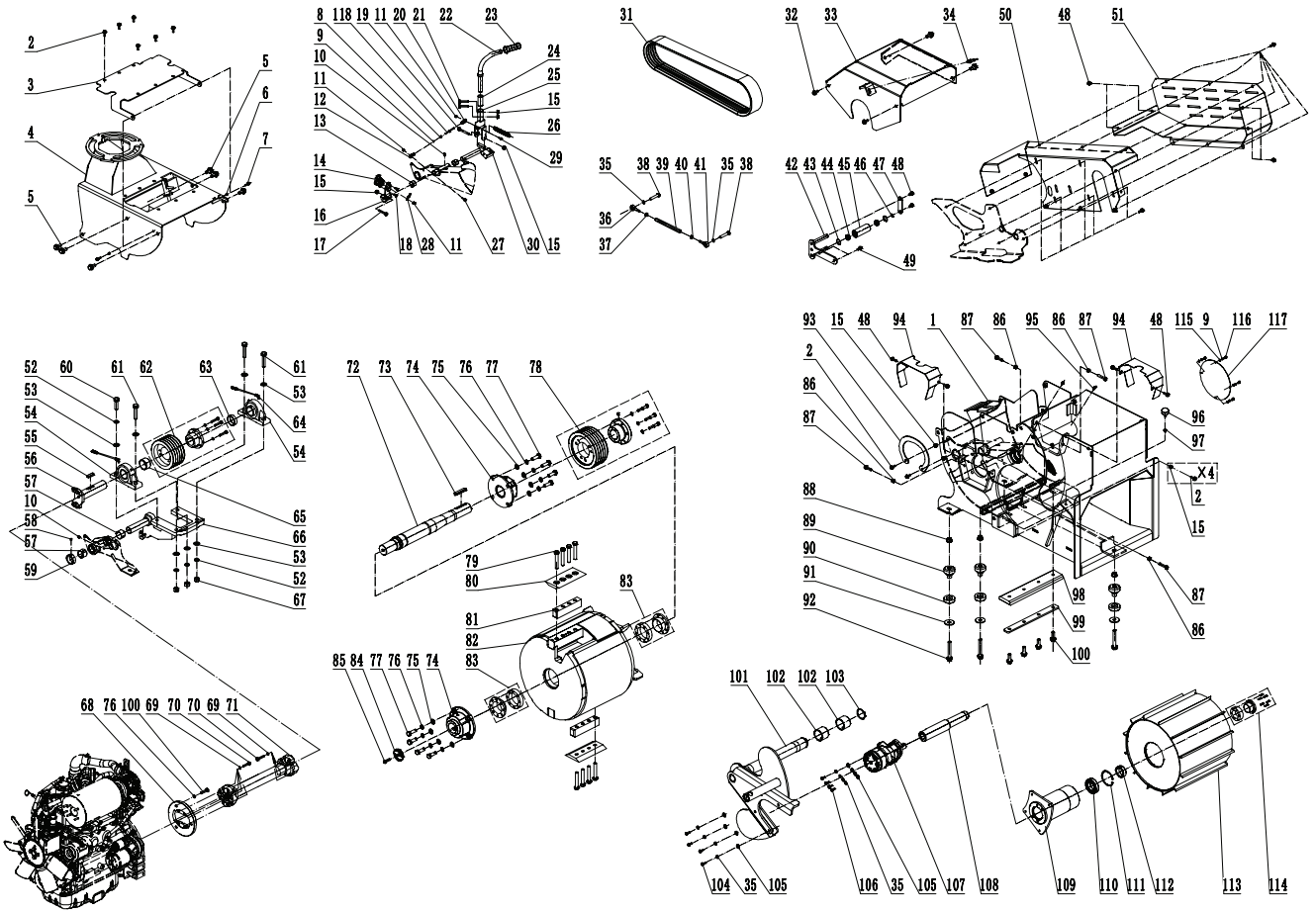
N°	Description	Part Number	Qty (UOM)
36	Bolt - M5*25	U567-00027	2
37	Big spring	U300-00053	1
38	Shaft	U300-00054	1
39	Baffle	U300-00055	1
40	Nut - M24	U300-00056	1
41	Pressure plate	U300-00057	1
42	Barrier skin	U300-00058	1
43	Connecting spacer sleeve	U300-00059	2
44	Bolt - M12*35	U300-00060	1
45	Connecting rod	U300-00061	1
46	Flat washer - ϕ 12	UR200-00074	2
47	Nut - M12	UR200-00076	2
48	Bolt - M12*90	UZT85-00084	1
49	Controller	U300-00062	1
50	Bolt - M10*20	UR200-00056	4
51	Fixed seat	U300-00063	1
52	Lock nut - M3	UV160-00037	8
53	Microswitch	U300-00064	4
54	Screw - M3*25	U300-00065	8
55	Copper sleeve	U300-00066	1
56	Screw - M8*25	U300-00067	1
57	Nut - M8	UG700-00022	1
58	Swinging turntable	U300-00068	1
59	Spring top pillar	U300-00069	1
60	Spring	U300-00070	1
61	Sliding top rod	U300-00071	1
62	Metal lock nut - M8	UZT85-00263	11
63	Bearing shim	U300-00072	1
64	Bearing	U466-00002	1
65	Bolt - M8*35	U300-00073	1
66	Bolt - M10*25	UR200-00061	2
67	Rail	U300-00074	1
68	Bolt - M12*60	U300-00075	1
69	Swivel pallet	U300-00076	1
70	Microswitch fixing seat	U300-00077	1

CAIMAN

N°	Description	Part Number	Qty (UOM)
71	Base plate A	U300-00078	1
72	Emergency stop lever	U300-00079	1
73	Pin - $\varnothing 5 \times 16$	U300-00080	1
74	Pin - $\varnothing 5 \times 24$	U300-00081	1
75	Latch	U300-00082	1
76	Spring,latch	U300-00083	1
77	Pin base plate	U300-00084	1
78	Outer baffle	U300-00085	1
79	Metal lock nut - M6	U455-00020	4
80	Rubber pad	U300-00086	1
81	Shaft	U300-00087	2
82	Pressure plate	U300-00088	1
83	Screw - M5*40	U300-00089	2
84	Lock nut - M5	U455-00006	2
85	Spring limit sleeve A	U300-00090	2
86	Spring,emergency stop device A	U300-00091	1
87	Sealing ring - 16*2.65	U300-00092	2
88	Shaft sleeve	U300-00093	2
89	Bolt - M10*30	U300-00094	1
90	Shaft	U300-00095	1
91	Oil cup - 6	UR760-00164	2
92	Spring,emergency stop device B	U300-00096	1
93	Nut - M10	UG806-00061	1
94	Bearing	U300-00097	1
95	Sliding sleeve B	U300-00098	3
96	Stud bolt B	U300-00099	4
97	Flat washer - $\varnothing 10$	U455-00029	6
98	Connector D	U300-00100	2
99	Connector C	U300-00101	2
100	Connector B	U300-00102	1
101	Sliding sleeve C	U300-00103	1
102	Big flat washer - $\varnothing 8$	U506-00058	1
103	Spring washer - $\varnothing 8$	U455-00053	1

CAIMAN

Blade Box



CAIMAN

Blade Box

N°	Description	Part Number	Qty (UOM)
1	Knife roller frame A	U300-00104	1
2	Bolt - M10*25	UR200-00061	18
3	Knife roller upper cover plate A	U300-00105	1
4	Crushing bin upper cover	U300-00106	1
5	Bolt - M16*30	U300-00107	6
6	Spacer sleeve B	U300-00108	2
7	Bolt - M8*25	U300-00109	2
8	Nut - M6	UG700-00132	1
9	Spring washer - $\phi 6$	UG700-00056	5
10	Oil cup - 8	U300-00110	2
11	Metal lock nut - M6	U455-00020	4
12	Bearing	U300-00111	1
13	Bearing	U300-00112	2
14	Engine throttle	U300-00113	1
15	Metal lock nut - M10	UZT85-00002	10
16	limit sleeve	U300-00114	1
17	Bolt - M10*60	UT160-00040	1
18	Bolt - M6*16	U537-00094	2
19	Bolt - M10*80	UA516-00037	1
20	Bearing	U300-00115	1
21	Bolt - M10*50	UA516-00012	2
22	Tensioner handle	U300-00116	1
23	Rubber sheath	U300-00117	1
24	Protective sheath	U300-00118	1
25	Handle fixing sleeve	U300-00119	1
26	Spring	U300-00120	1
27	Bolt - M6*20	UR390-00081	1
28	Throttle lever	U300-00121	1
29	Bolt - M6*25	UR390-00082	1
30	Shaft	U300-00122	1
31	Belt	U300-00123	1
32	Bolt - M12*25	U300-00124	4
33	Feed roller upper cover	U300-00125	1
34	Proximity switch	U300-00126	1
35	Spring washer - $\phi 12$	UR200-00075	10

CAIMAN

N°	Description	Part Number	Qty (UOM)
36	Bearing	U300-00127	1
37	Nut - M12	U300-00128	1
38	Bolt - M12*65	U300-00129	2
39	Tensioning adjustment rod A	U300-00130	1
40	Nut - M12	UZT85-00129	1
41	Bearing	U300-00131	1
42	Roller support	U300-00132	1
43	Circlip - ϕ 32	U300-00133	2
44	Bearing	U300-00134	2
45	Supporting roller	U300-00135	1
46	Circlip - ϕ 15	UG390-00031	1
47	Roller support connecting plate	U300-00136	1
48	Bolt - M10*20	UR200-00056	21
49	Bolt - M10*30	UZT85-00028	2
50	Belt pulley shield 2	U300-00137	1
51	Belt pulley shield 1	U300-00138	1
52	Spring washer - ϕ 18	U300-00139	4
53	Flat washer - ϕ 18	US270-00027	7
54	Bearing	U300-00140	2
55	Key	U300-00141	1
56	Drive shaft A	U300-00142	1
57	Shaft sleeve C	U300-00143	2
58	Screw - M10*12	U300-00144	1
59	Positioning sleeve B	U300-00145	1
60	Bolt - M18*60	U300-00146	1
61	Bolt - M18*80	U300-00147	3
62	Pulley	U300-00148	1
63	Spacer sleeve B	U300-00149	1
64	Nozzle	U300-00150	2
65	Pulley spacer sleeve A	U300-00151	1
66	Bearing seat	U300-00152	1
67	Nut - M18	U300-00153	3
68	Flywheel flange	U300-00154	1
69	Lock washer	U300-00155	8
70	M10*45	U300-00156	8
71	Universal joint coupling	U300-00157	1

CAIMAN

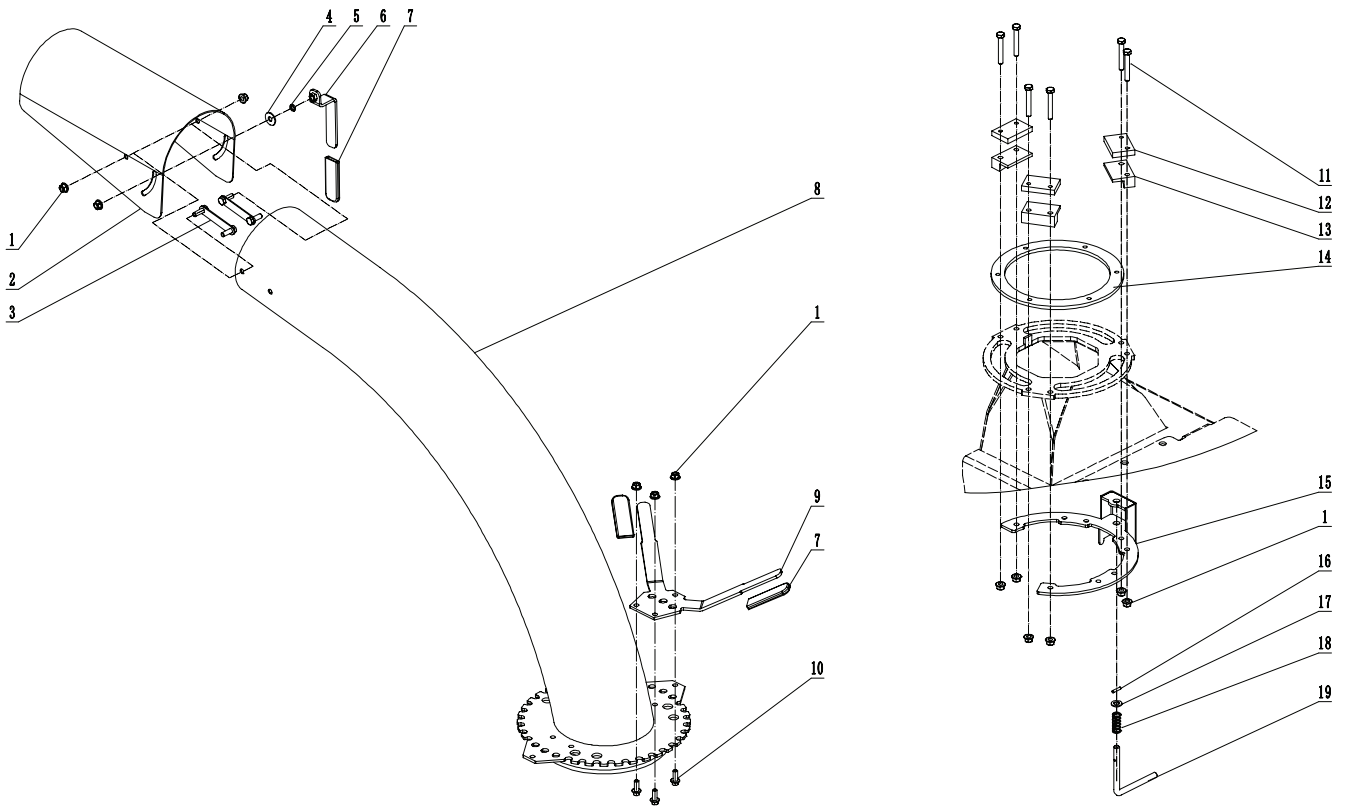
N°	Description	Part Number	Qty (UOM)
72	Knife roller shaft	U300-00158	1
73	Key - 18*11*90	U300-00159	1
74	Bearing	U300-00160	2
75	Flat washer - φ16	UR200-00071	8
76	Spring washer - φ16	UR200-00069	11
77	Bolt - M16*50	UR200-00053	8
78	Pulley	U300-00161	1
79	Bolt - M16*100	U300-00162	8
80	Blade	U300-00163	2
81	Blade clamp block	U300-00164	2
82	Knife roller	U300-00165	1
83	Shrink disk	U300-00166	2
84	Shaft head gasket	U300-00167	1
85	Screw - M12*40	U300-00168	1
86	Nut - M12	UR200-00073	4
87	Bolt - M12*50	U300-00169	4
88	Metal lock nut - M16	UZT37-00016	3
89	Upper rubber shock pad	U300-00170	3
90	Upper rubber shock pad	U300-00171	3
91	Big washer - M16*5	U300-00172	3
92	Bolt - M16*110	U300-00173	3
93	Coupling protection parts A	U300-00174	1
94	Bearing seat cover	U300-00175	2
95	Oil cup - 8	U300-00110	2
96	Shock pad A	U300-00176	1
97	Lock nut - M8	UZT85-00263	1
98	Button blade A	U300-00177	1
99	Base plate A	U300-00178	1
100	Bolt - M16*45	U300-00179	7
101	Feed roller rotating part	U300-00180	1
102	Sliding bearing A	U300-00181	2
103	Circlip - φ60	U300-00182	1
104	Bolt - M12*35	U300-00183	4
105	Flat washer - φ12	UR200-00074	8
106	Bolt - M12*40	U300-00184	4
107	Hydraulic motor	U300-00185	1

CAIMAN

N°	Description	Part Number	Qty (UOM)
108	Feed roller shaft	U300-00186	1
109	Feed roller support sleeve	U300-00187	1
110	Bearing	U300-00188	1
111	Circlip - ϕ 90	U300-00189	1
112	Roller spacer sleeve	U300-00190	1
113	Feed roller	U300-00191	1
114	Shrink disk	U300-00192	1
115	Flat washer - ϕ 6	U455-00054	4
116	Bolt - M6*12	UR760-00102	4
117	Side cover plate	U300-00193	1
118	Adjusting screw	U300-00194	1

CAIMAN

Discharge Hopper Assembly



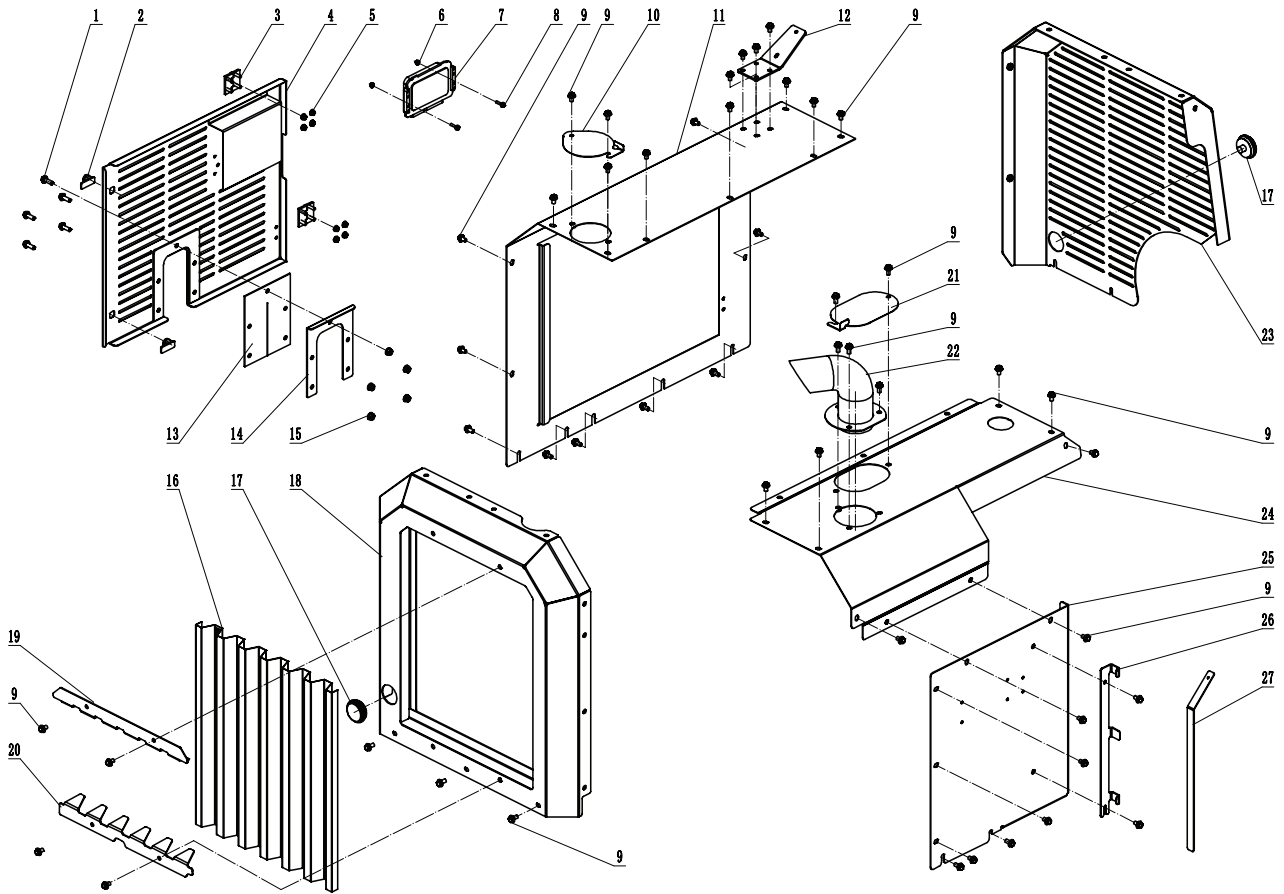
CAIMAN

Discharge Hopper Assembly

N°	Description	Part Number	Qty (UOM)
1	Lock nut - M10	UZT85-00002	12
2	Discharge shield	U300-00195	1
3	Screw fixing plate	U300-00196	2
4	Big washer - ϕ 10	UG700-00100	1
5	Spring washer - ϕ 10	UR200-00070	1
6	Lock handle	U300-00197	1
7	Sheath	US270-00083	3
8	Discharge hopper	U300-00198	1
9	Discharge hopper rotating handle	U300-00199	1
10	Bolt - M10*25	UR200-00061	3
11	Bolt - M10*70	UZT37-00025	6
12	Fixed bulk	U300-00200	3
13	Isolation pad	U300-00201	3
14	Isolation washer	U300-00202	1
15	Adjusting the pin seat	U300-00203	1
16	Pin - ϕ 5*24	U300-00081	1
17	Flat washer - ϕ 14	U300-00204	1
18	Spring	U300-00205	1
19	Adjusting pin	U300-00206	1

CAIMAN

Engine Cover



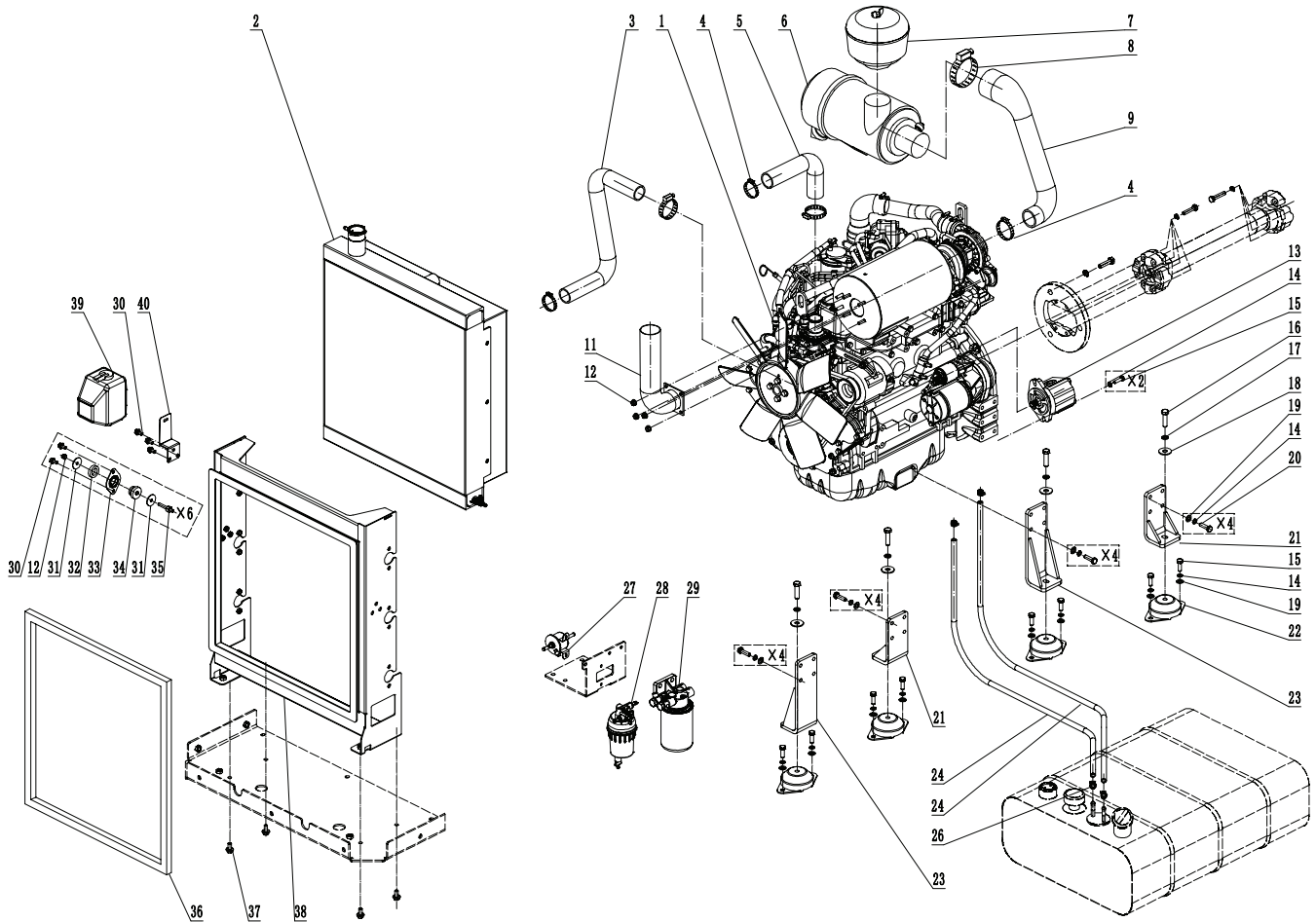
CAIMAN

Engine Cover

N°	Description	Part Number	Qty (UOM)
1	Bolt - M10*30	UZT85-00028	5
2	Cabinet door lock	U300-00207	2
3	Hinge	U300-00208	2
4	Engine maintenance door	U300-00209	1
5	Metal lock nut - M8	UZT85-00263	8
6	Metal lock nut - M6	U455-00020	4
7	YANMAR ECU	U300-00210	1
8	Bolt - M6*25	UR390-00082	4
9	Bolt - M10*20	UR200-00056	51
10	Movable cover	U300-00211	1
11	Engine rear cover plate	U300-00212	1
12	Air filter bracket	U300-00213	
13	Protective cover	U300-00214	1
14	Platen	U300-00215	1
15	Metal lock nut - M10	UZT85-00002	5
16	Air grid	U300-00216	1
17	Turn signal	U300-00037	2
18	Left engine baffle	U300-00217	1
19	Upper pressure platen	U300-00218	1
20	Lower pressure platen	U300-00219	1
21	Oil mask cover	U300-00220	1
22	Escape-pipe	U300-00221	1
23	Right engine baffle	U300-00222	1
24	Upper cover	U300-00223	1
25	Engine small baffle	U300-00224	1
26	Fixed part of measuring scale	U300-00225	1
27	Measuring scale	U300-00226	1

CAIMAN

Engine Components



N°	Description	Part Number	Qty (UOM)
1	Diesel engine	U300-00227	1
2	Radiator	U300-00228	1
3	Outlet pipe	U300-00229	1
4	Clamp - $\phi 40-63$	U300-00230	5
5	Water inlet	U300-00231	1
6	Air filter	U300-00232	1
7	Prefiltration	U300-00233	1
8	Clamp $\phi 86$	U300-00234	1
9	Air intake pipe	U300-00235	1
11	Engine exhaust pipe	U300-00236	1
12	Metal lock nut - M8	UZT85-00263	10
13	Gear pump	U300-00237	1

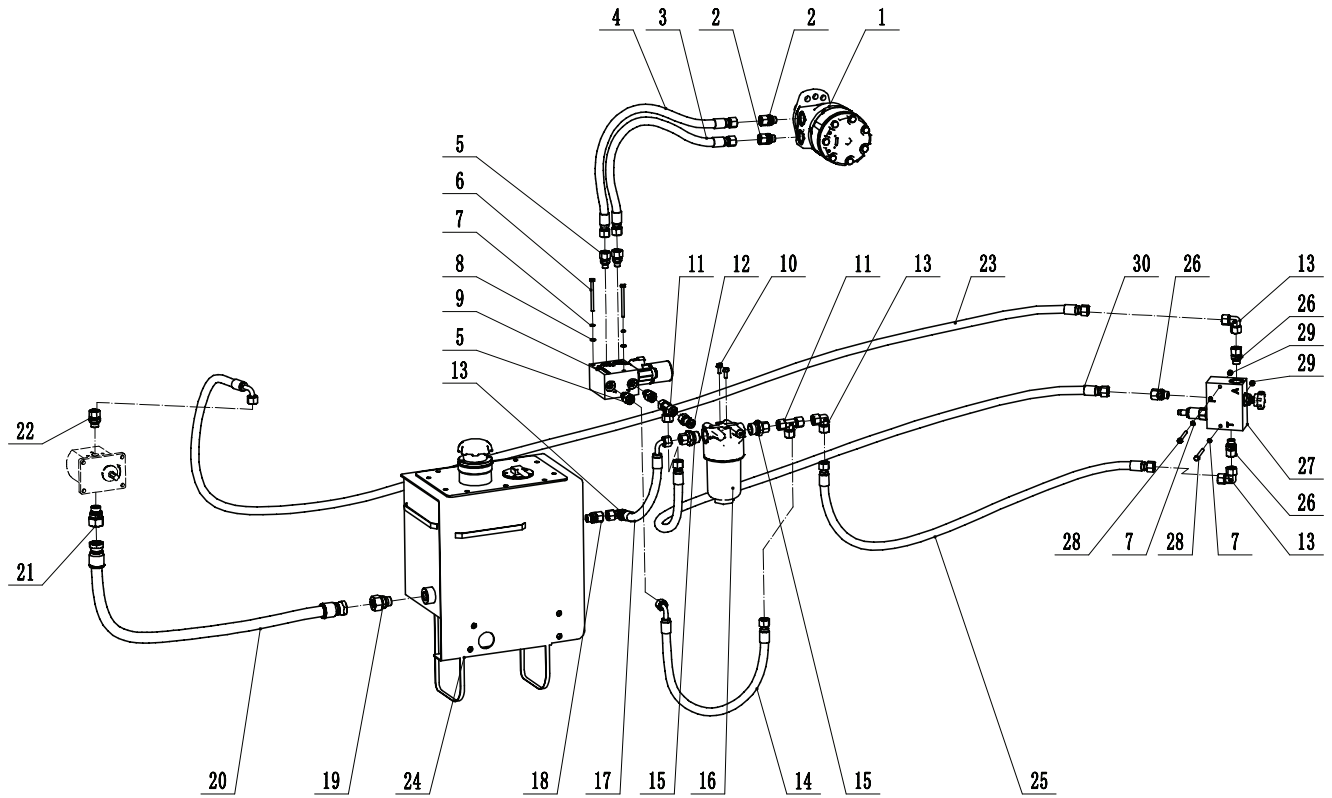
CAIMAN

Engine Components

N°	Description	Part Number	Qty (UOM)
14	Spring washer - ϕ 10	UR200-00070	18
15	Bolt - M10*30	UT160-00083	10
16	Bolt - M12*45	UG390-00013	4
17	Spring washer - ϕ 12	UR200-00075	4
18	Big flat washer - ϕ 12	UV160-00049	4
19	Flat washer - ϕ 12	U455-00029	20
20	Bolt - M10*35	UG390-00011	16
21	Support B	U300-00238	2
22	Engine Mounting	U300-00239	4
23	Support A	U300-00240	2
24	Diesel oil pipe	U300-00241	2
26	Clamp - ϕ 15	U300-00242	4
27	Electronic fuel transfer pump	U300-00243	1
28	Water separator	U300-00244	1
29	Refueling water separator	U300-00245	1
30	Bolt - M8*16	U455-00002	15
31	Flat washer - ϕ 8	U300-00246	12
32	Rubber pad A	U300-00247	6
33	Shock mount	U300-00248	6
34	Rubber ring A	U300-00249	6
35	Stud bolt C	U300-00250	6
36	Sponge strip	U300-00251	n
37	Bolt - M10*20	UR200-00056	4
38	Water tank bracket	U300-00252	1
39	Kettle	U300-00253	1
40	Deputy Cisterns Bracket	U300-00254	1

CAIMAN

Hydraulic Part



CAIMAN

Hydraulic Part

N°	Description	Part Number	Qty (UOM)
1	Hydraulic motor	U300-00185	1
2	Straight joint	U300-00255	2
3	Hose	U300-00256	1
4	Hose	U300-00257	1
5	Straight joint	U300-00258	4
6	Bolt - M6*75	U300-00259	2
7	Spring washer - $\phi 6$	UG700-00056	4
8	Flat washer - $\phi 6$	U455-00054	2
9	Electromagnetic valve group	U300-00260	1
10	Bolt - M8*16	U455-00002	2
11	Tee combination joint	U300-00261	2
12	Pressure measuring joint	U300-00262	1
13	Right angle combination joint	U300-00263	4
14	Hose	U300-00264	1
15	Straight joint	U300-00265	2
16	Return oil filter	U300-00266	1
17	Hose	U300-00267	1
18	Straight joint	U300-00268	1
19	Straight joint	U300-00269	1
20	Hose	U300-00270	1
21	Straight joint	U300-00271	1
22	Straight joint	U300-00272	1
23	Hose	U300-00273	1
24	Hydraulic tank	U300-00025	1
25	Hose	U300-00274	2
26	Straight joint	U300-00275	3
27	Flow valve	U300-00276	1
28	Bolt - M6*65	UT160-00077	2
29	Nut - M6	UG700-00132	2
30	Hose	U300-00277	1