

GST 250 Chainsaw



Documents

Engine

Ignition system

Crankcase

Handle

Chain cover and clutch

Carburetor WT-1163

Accessories

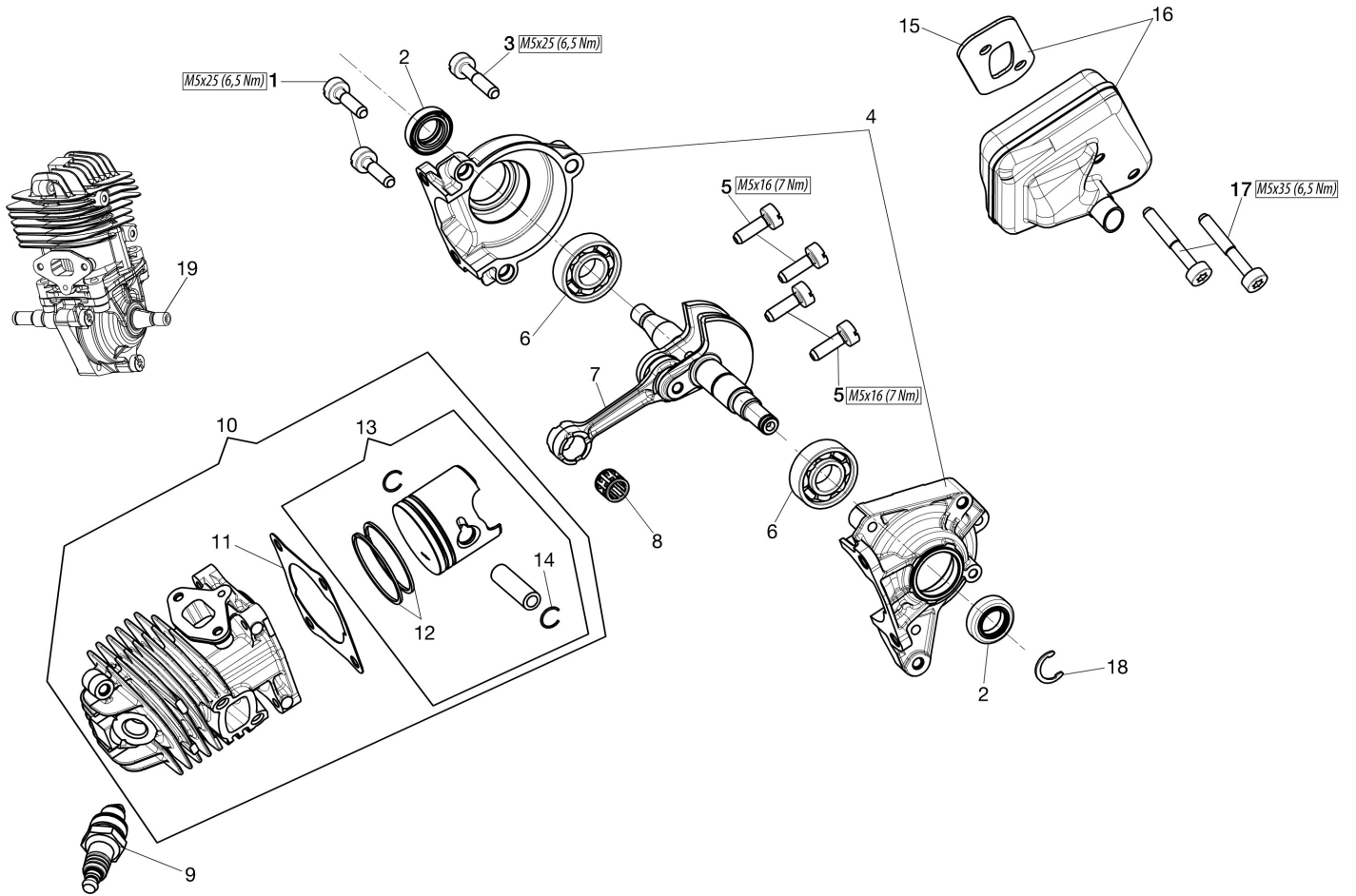


Illustration Engine

Ref.Nu	Qty	Part number	Description	Validity from	Validity till	Notes	Bulletin
1	2	3891048R	Screw				
2	2	094000099R	Seal ring				
3	1	3891050R	Screw				
4	1	50292017AR	Crankcase assy				
5	4	3891044R	Screw				
6	2	3034009R	Bearing				
7	1	50290207R	Crankshaft				
8	1	3037002R	Thrust bearing				
9	1	3055113	Spark plug				
10	1	50290153	Complete cylinder Ø34				
11	1	50290007R	Gasket				
12	2	61290045R	Piston ring				
13	1	50290152	Piston assy				
14	2	58070166R	Ring				
15	1	50290100R	Gasket				
16	1	50290151AR	Complete muffler				
17	2	3860118R	Screw				
18	1	3024001R	Snap ring				
19	1	50290154BR	Short block				

Illustration Ignition system

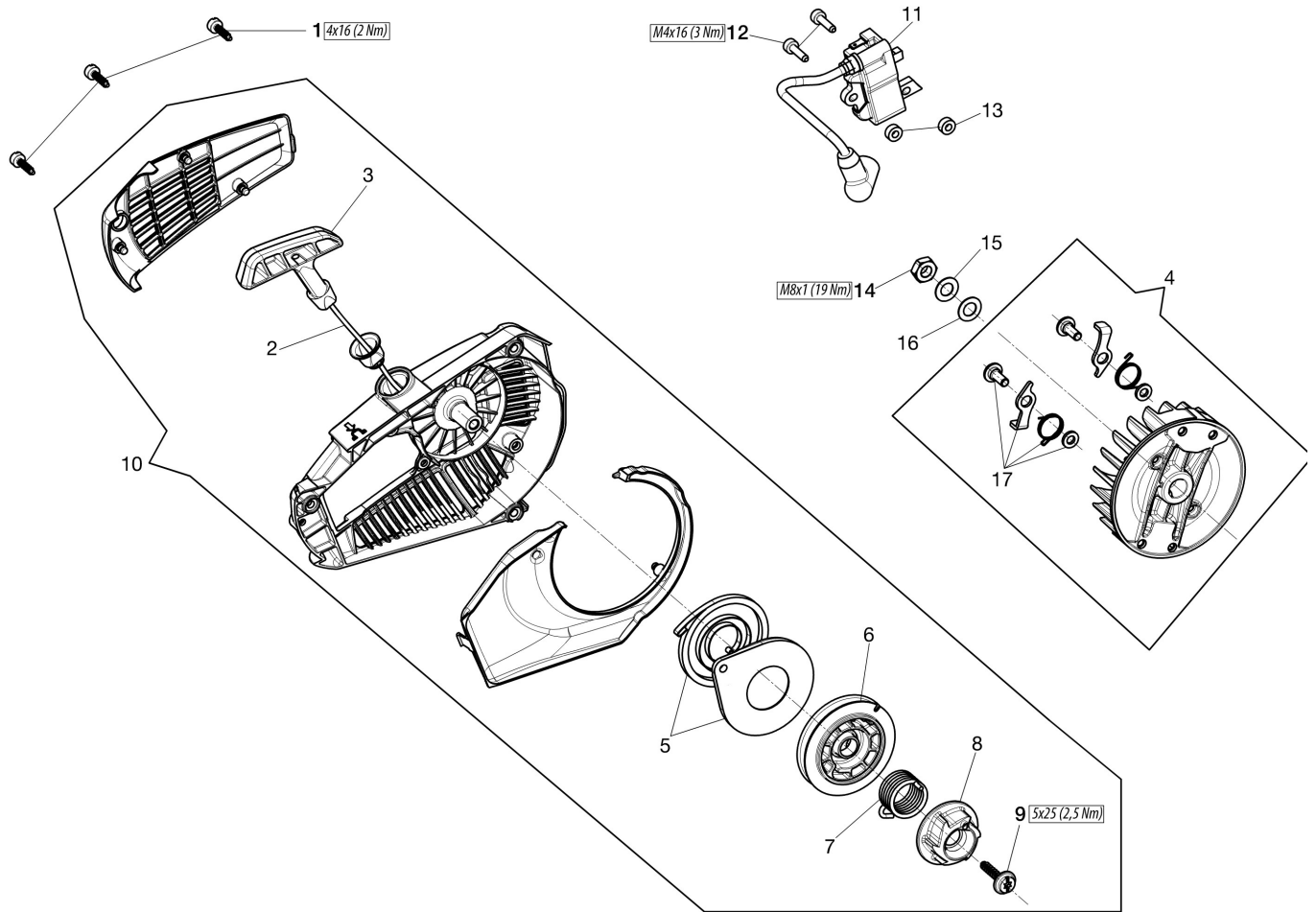


Illustration Ignition system

Ref.Nu	Qty	Part number	Description	Validity from	Validity till	Notes	Bulletin
1	3	3893016AR	Screw				
2	1	61370024R	Rope				
3	1	50270137R	Starter handle				
4	1	50290015BR	Flywheel				
5	1	50290107R	Starter spring				
6	1	50290020AR	Pulley				
7	1	50290133AR	Spring				
8	1	50290105AR	Sprocket				
9	1	3893063R	Screw				
10	1	50290196R	Starter assy				
11	1	2501005AR	Ignition coil				
12	2	3891014R	Screw				
13	2	61170014A	Spacer				
14	1	3911014R	Nut				
15	1	094500229R	Washer				
16	1	3833080R	Washer				
17	1	50162019A	Pawl kit				

Illustration Crankcase

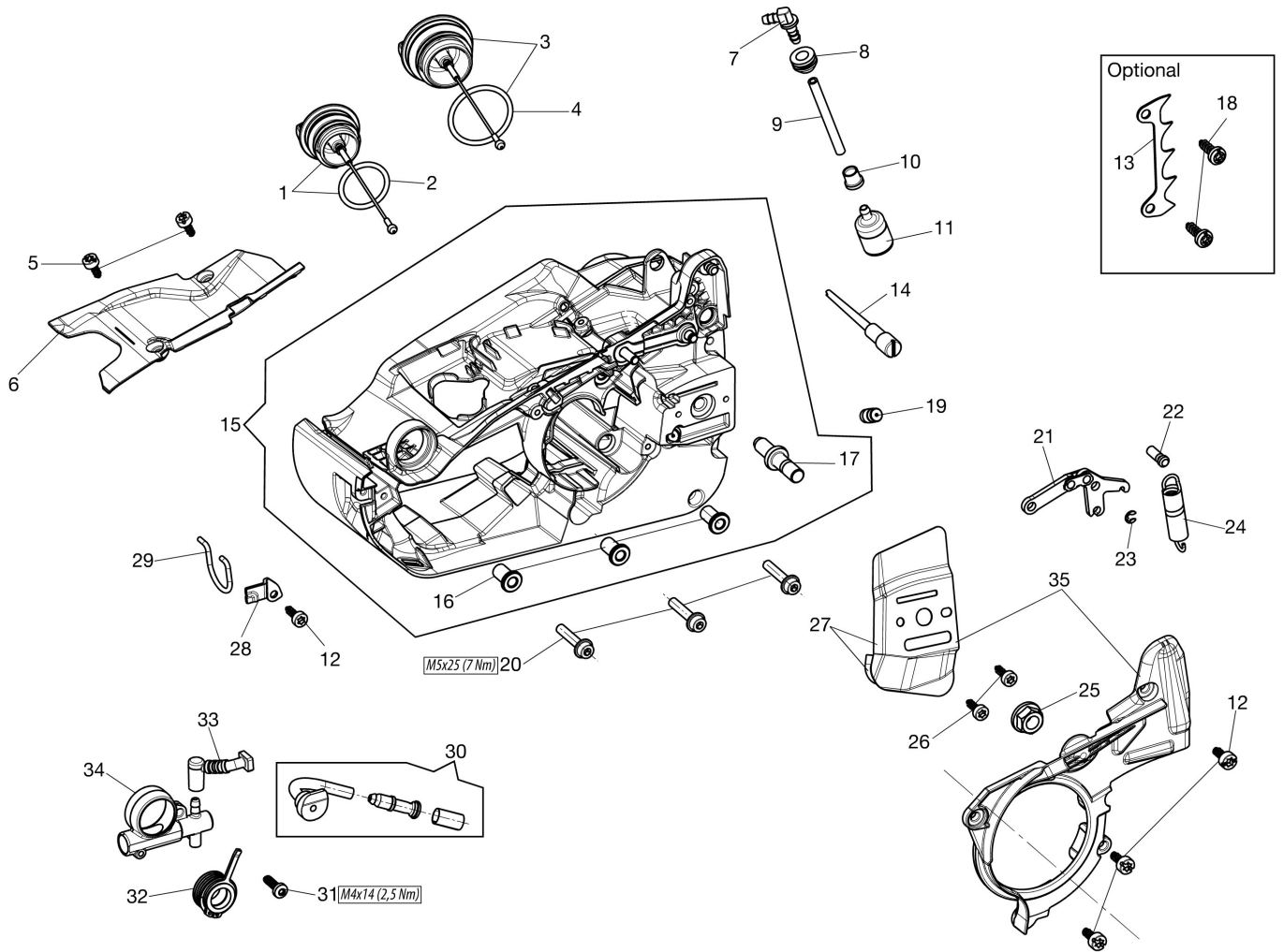


Illustration Crankcase

Ref.Nu	Qty	Part number	Description	Validity from	Validity till	Notes	Bulletin
1	1	50290109R	Tank cap				
2	1	3049047R	O-ring				
3	1	50290028R	Tank cap				
4	1	099900090R	Ring				
5	2	3893009R	Screw				
6	1	50290036R	Crankcase cover				
7	1	50030286	Fittings				
8	1	3088002R	Grommet				
9	1	50290171R	Tube				
10	1	61110162BR	Bushing				
11	1	2318015R	Fuel filter				
12	1	3893016AR	Screw				
13	1	50290085R	Spike				
14	1	50290140R	Breather valve				
15	1	50292004DR	Crankcase				
16	3	50050067R	Spacer				
17	1	51010016	Stud				
18	2	3893054R	Screw				
19	1	097000229R	Breather valve				
20	3	3860099R	Screw				
21	1	50270087R	Lever				
22	1	50010243R	Pin				
23	1	3026003R	Ring				
24	1	50290089R	Spring				
25	1	50010148R	Nut				
26	2	3893013R	Screw				
27	1	50290205	Plate + Sponge	SN 8837510028			BT4-160-02/17
28	1	50290143R	Plate				
29	1	50290142R	Hook				
30	1	50290155A	Suction kit				
31	1	3960074	Screw				
32	1	50290041R	Worm gear				
33	1	50290113AR	Hose				
34	1	50290192R	Oil pump				
35	1	50290200A	Set cover	SN 8837510028			BT4-160-02/17

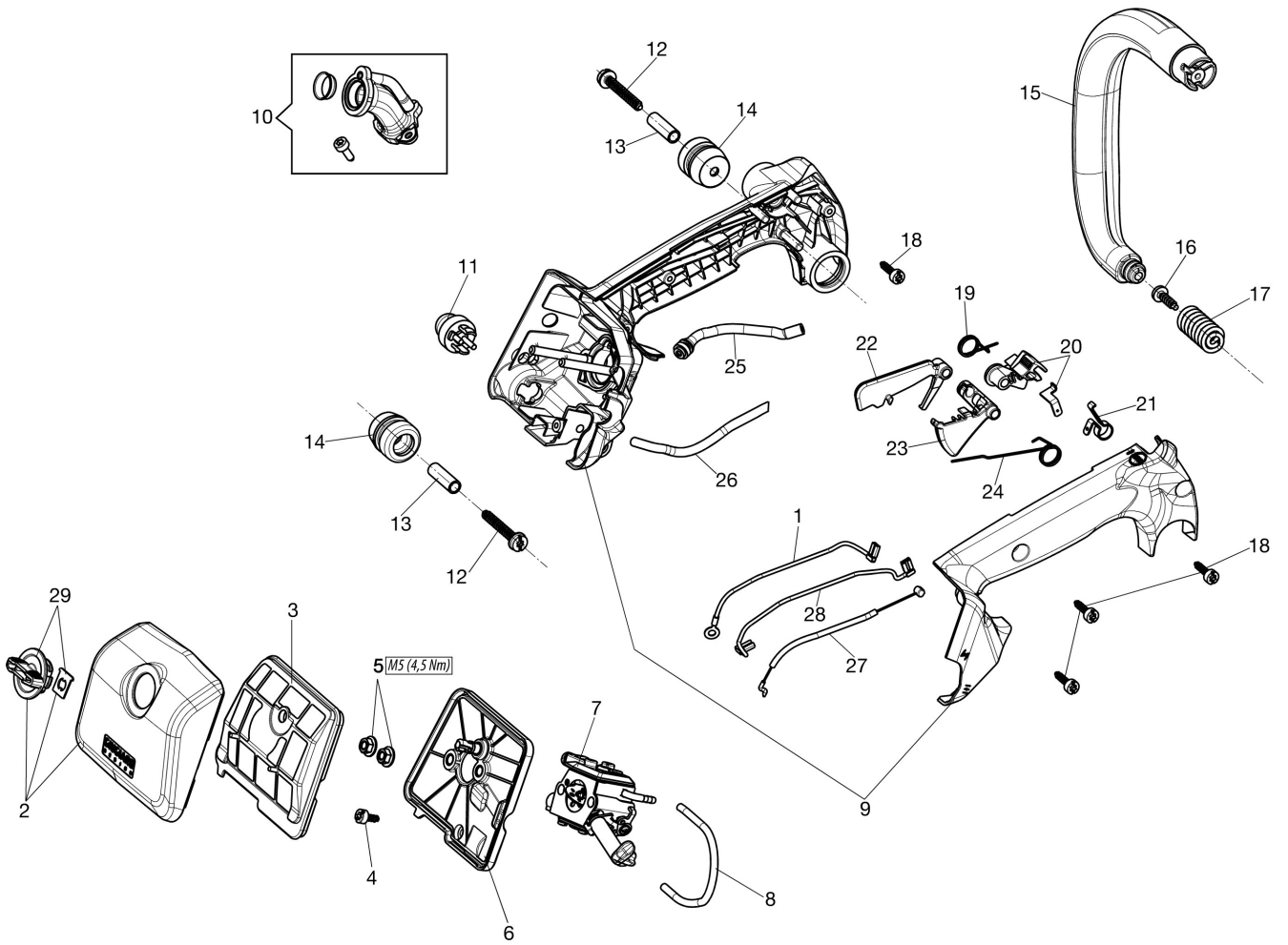


Illustration Handle

Ref.Nu	Qty	Part number	Description	Validity from	Validity till	Notes	Bulletin
1	1	50290012R	Cable				
2	1	50290157	Air filter cover				
3	1	50290056R	Air filter				
4	1	3893009R	Screw				
5	2	3980019R	Nut				
6	1	50292008R	Air filter support				
7	1	2318001R	Carburetor				
8	1	3073005R	Tube				
9	1	50290199	Handle kit				
10	1	50292003R	Intake manifold assy				
11	1	2318817R	Air purge				
12	2	3893071R	Screw				
13	2	50290112R	Tube				
14	2	50160040AR	AV-mount				
15	1	50290052R	Handle				
16	1	3960115R	Screw				
17	1	50050047AR	Spring				
18	3	3893016AR	Screw				
19	1	50270173R	Spring				
20	1	50270171R	Control lever				
21	1	50270172AR	Spring				
22	1	50270046R	Lever				
23	1	50270045R	Throttle lever				
24	1	50270047R	Spring				
25	1	50290145R	Fuel line				
26	1	3073012R	Tube				
27	1	50290062AR	Throttle cable				
28	1	50290013AR	Cable				
29	1	50290117R	Cap				

Illustration Chain cover and clutch

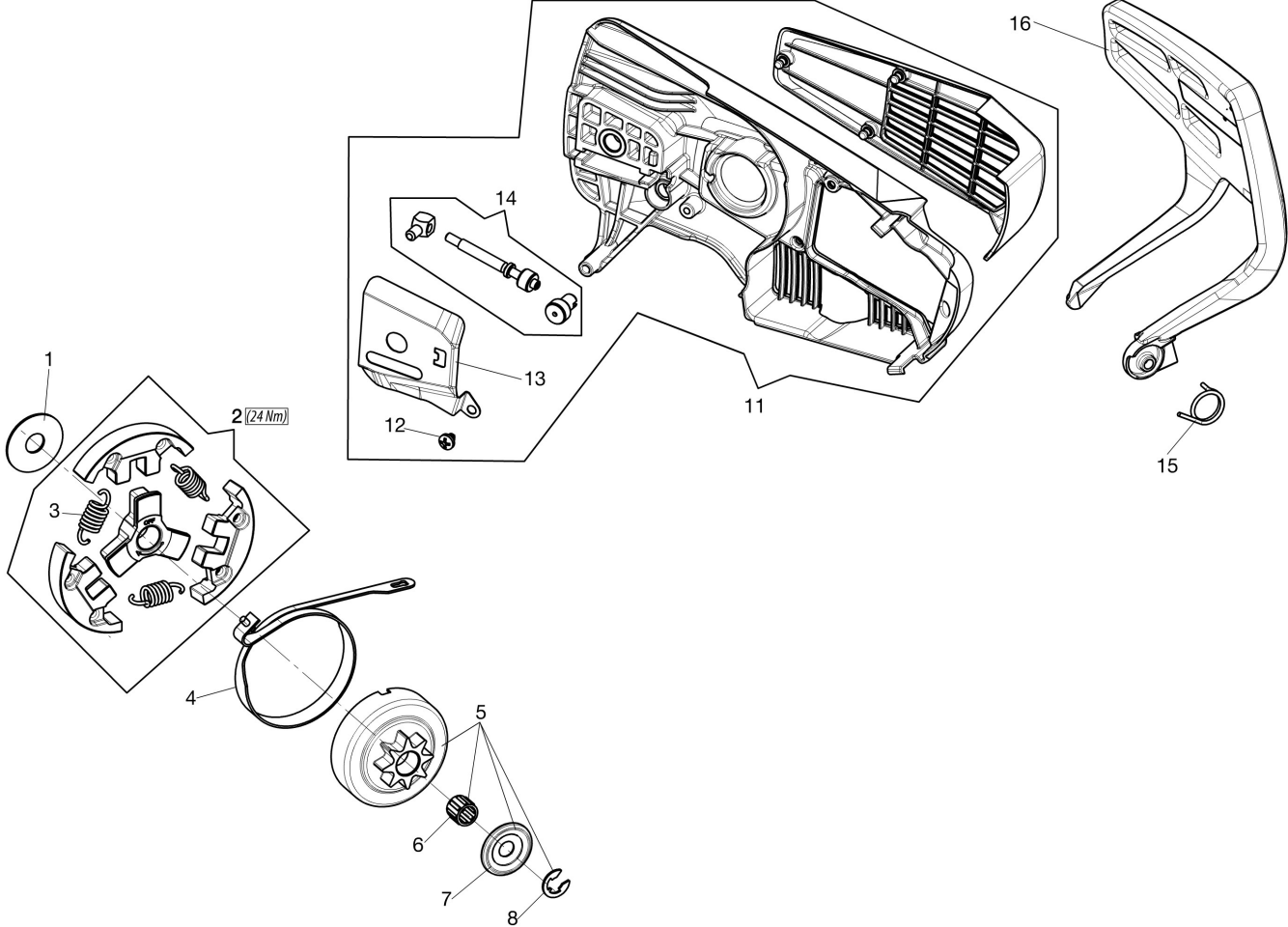


Illustration Chain cover and clutch

Ref.Nu	Qty	Part number	Description	Validity from	Validity till	Notes	Bulletin
1	1	50290101R	Washer				
2	1	50290135R	Clutch				
3	3	50290138BR	Spring				
4	1	50290080AR	Brake band				
5	1	50290187A	Clutch drum			3/8"	
5	1	50290164A	Clutch drum			1/4"	
6	1	3037001R	Thrust bearing				
7	1	50240028R	Spacer				
8	1	3026007R	Ring				
11	1	50290076BR	Chain cover assy				
12	1	3960030R	Screw				
13	1	50290119R	Plate				
14	1	50290156	Chain tensioner kit				
15	1	50270097AR	Spring				
16	1	50290077DR	Guard				

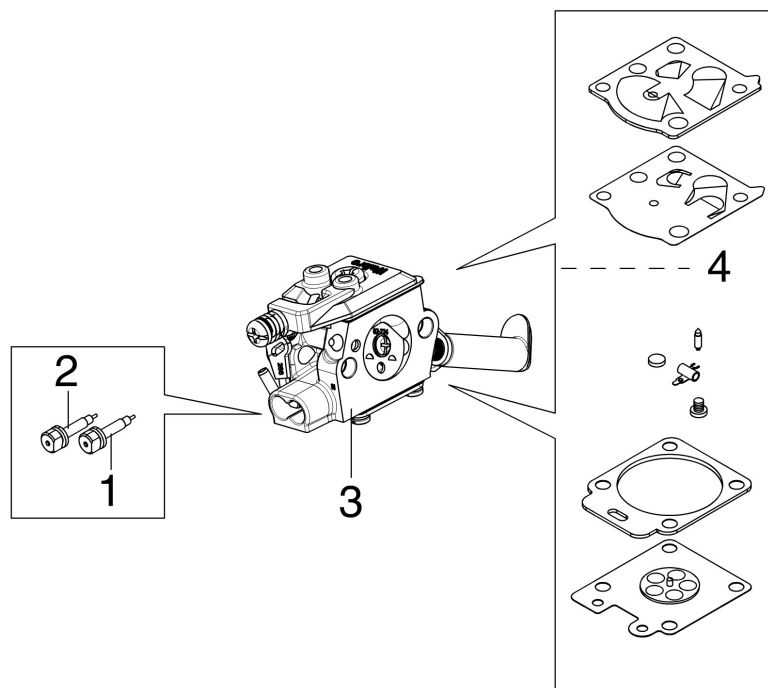


Illustration Carburetor WT-1163

Ref.Nu	Qty	Part number	Description	Validity from	Validity till	Notes	Bulletin
1	1	2318779	Adjust. screw MIN				
2	1	2318006R	Screw H				
3	1	2318001R	Carburetor				
4	1	2318671	Repair kit				

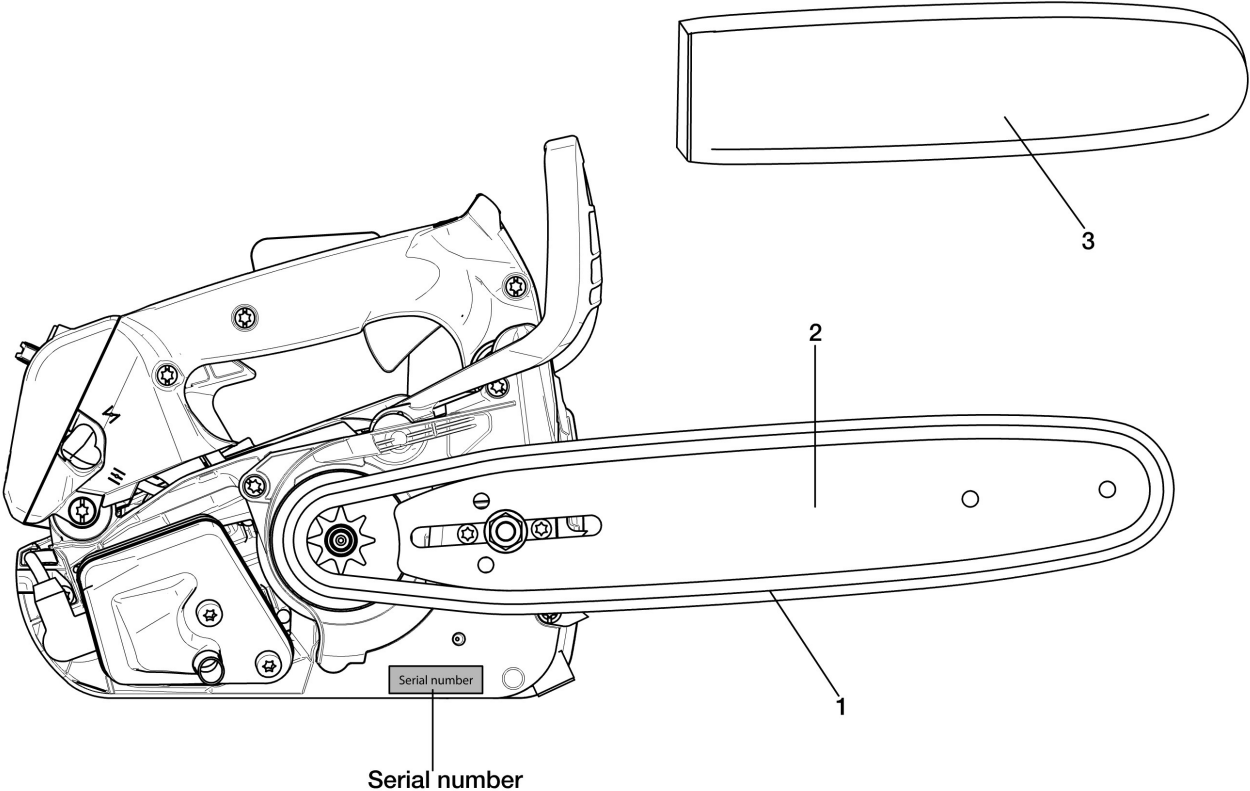


Illustration Accessories

Ref.Nu	Qty	Part number	Description	Validity from	Validity till	Notes	Bulletin
1	1	30629021A	Chain .1/4" x .050" (1,3 mm)			Carving	
1	1	30629040A	Chain .1/4" x .050" (1,3 mm)			Standard	
1	1	30629012A	Chain .3/8" x .050" (1,3mm)			Standard	
2	1	50030352R	Bar 10" - 25 cm			Carving	
2	1	50290032R	Bar 10" - 25 cm			Standard (1/4)	
2	1	50160098R	Bar 10" - 25 cm			Standard (3/8)	
3	1	1144033	Bar cover				