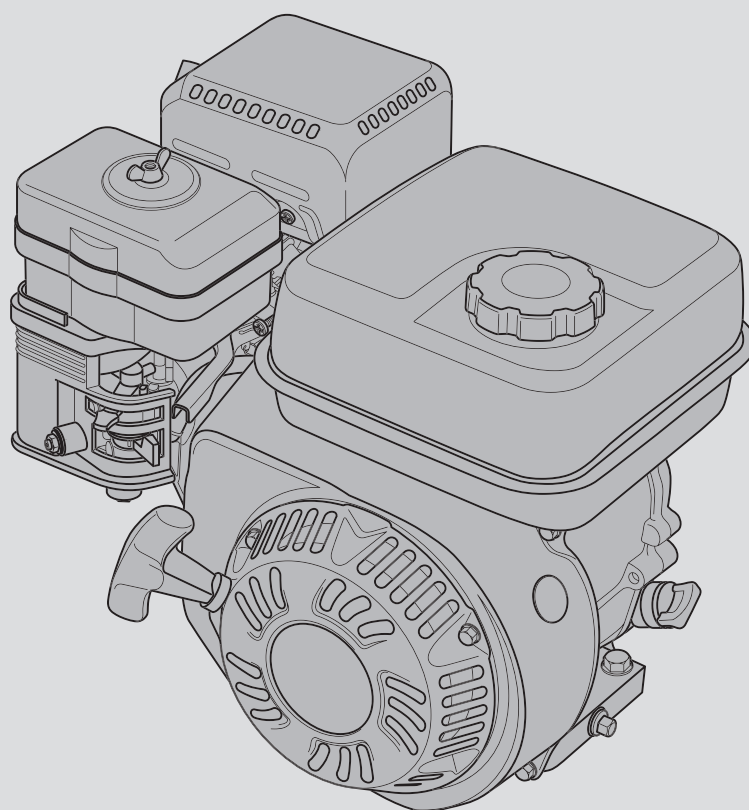


**CAIMAN**



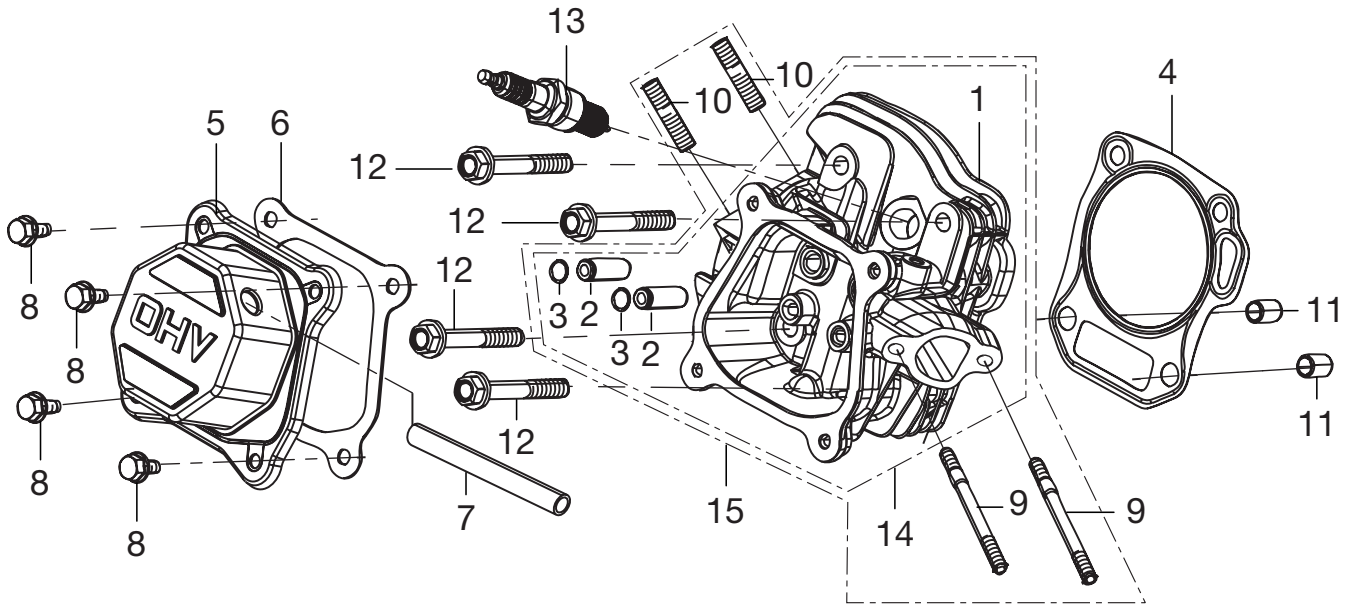
**GREEN ENGINE**

**4-тактный двигатель  
Caiman Green Engine 212CC**



# CAIMAN

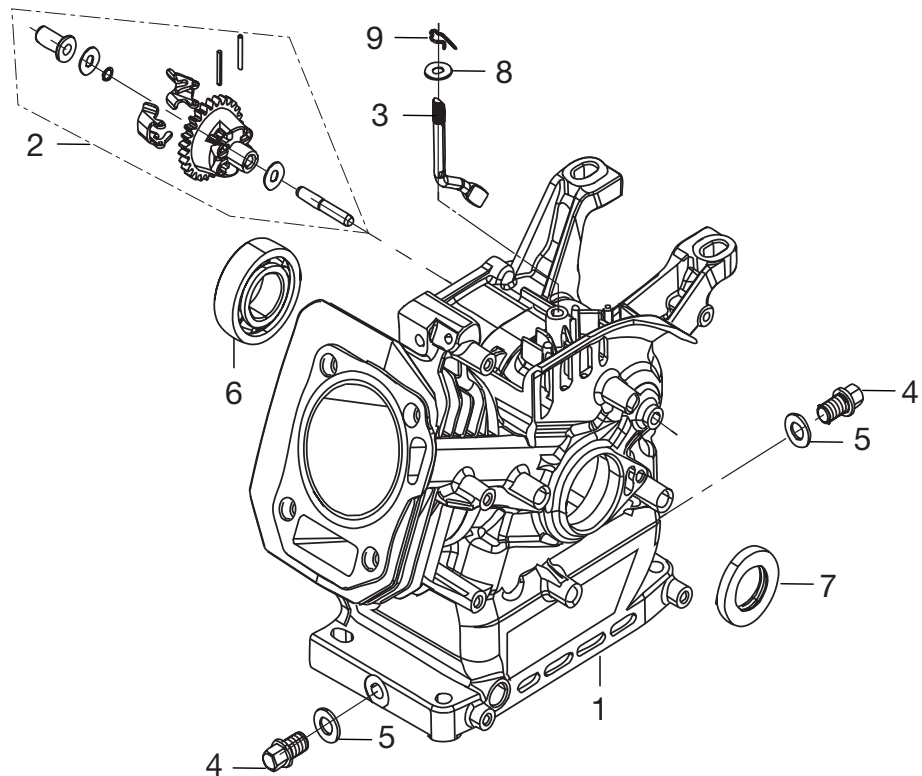
## Head subassembly, cylinder / plug,spark



N°	Description	Part Number	Qty (UOM)
4	Gasket, cylinder head	U210-00001	1
5	Cover subassembly, cylinder head	U210-00002	1
6	Gasket, cylinder head cover	U210-00003	1
7	Tube, breather	U210-00004	1
8	Bolt	U210-00005	4
9	Stud	U210-00006	2
10	Stud	U210-00007	2
11	Pin	U210-00008	2
12	Bolt, cylinder head	U210-00009	4
13	Plug, spark	U210-00010	1
15	Head subassembly, cylinder	U210-00011	1

# CAIMAN

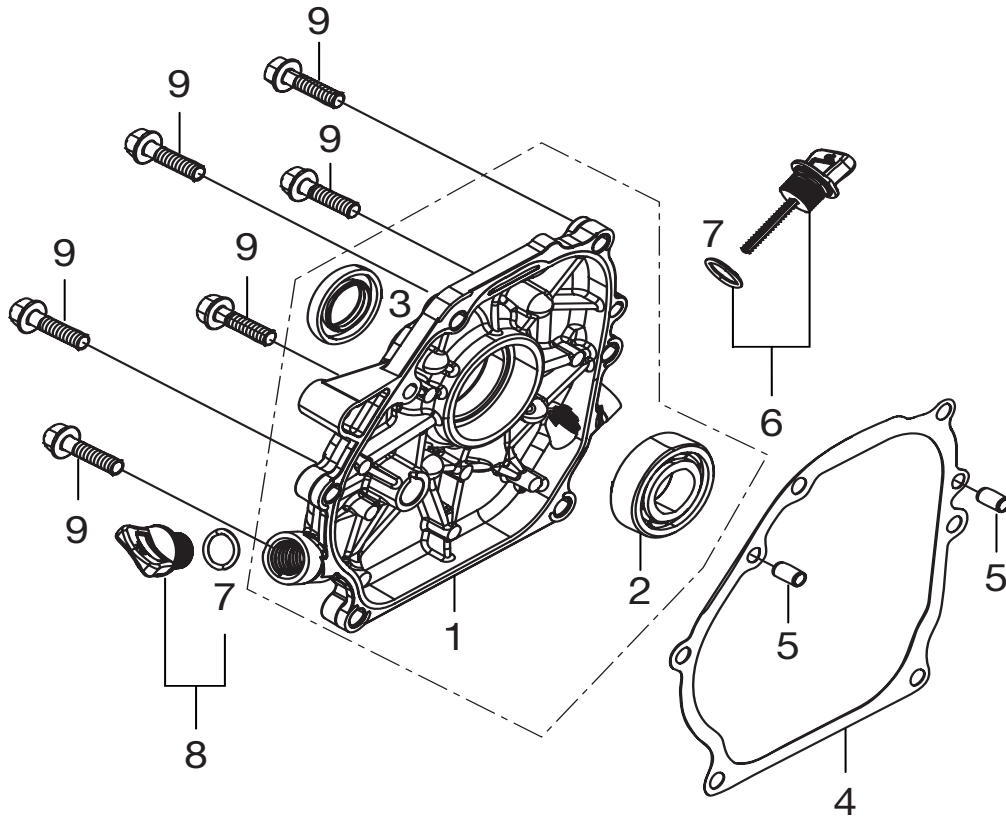
## Crankcase. / gear assembly, governor



N°	Description	Part Number	Qty (UOM)
1	Crankcase subassembly	U210-00012	1
2	Gear assy, governor	U210-00013	1
3	Arm, governor	U210-00014	1
4	Bolt, drain plug	U210-00015	2
5	Washer	U210-00016	2
6	Bearing	U210-00017	1
7	Seal, oil	U210-00018	1
8	Washer, governor gear	U210-00019	1
9	Pin	U210-00020	1

# CAIMAN

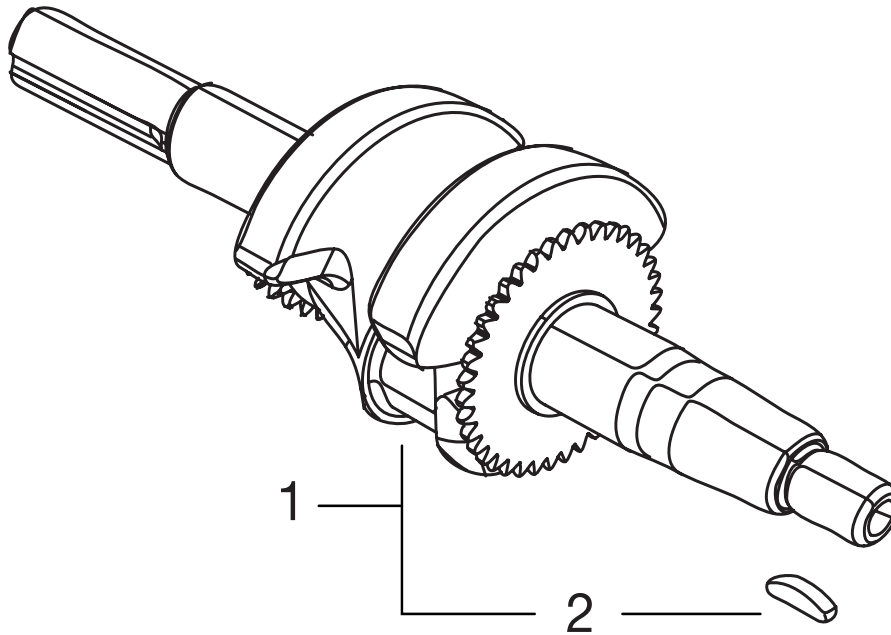
## Cover subassembly, crankcase



N°	Description	Part Number	Qty (UOM)
1	Cover , crankcase	U210-00021	1
2	Bearing	U210-00022	1
3	Seal, oil	U210-00023	1
4	Gasket, crankcase	U210-00024	1
5	Pin	U210-00025	2
6	Dipstick subassembly, oil	U210-00026	1
8	Plug subassembly, engine oil	U210-00027	1
9	Bolt	U210-00028	6

# CAIMAN

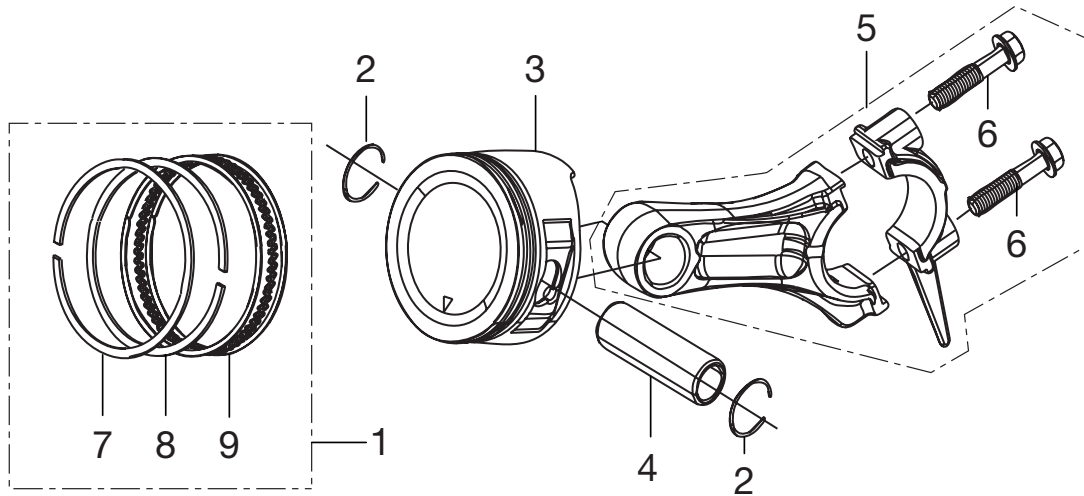
## Rod, crankshaft conneting



N°	Description	Part Number	Qty (UOM)
1	Crankshaft assy	U210-00029	1

# CAIMAN

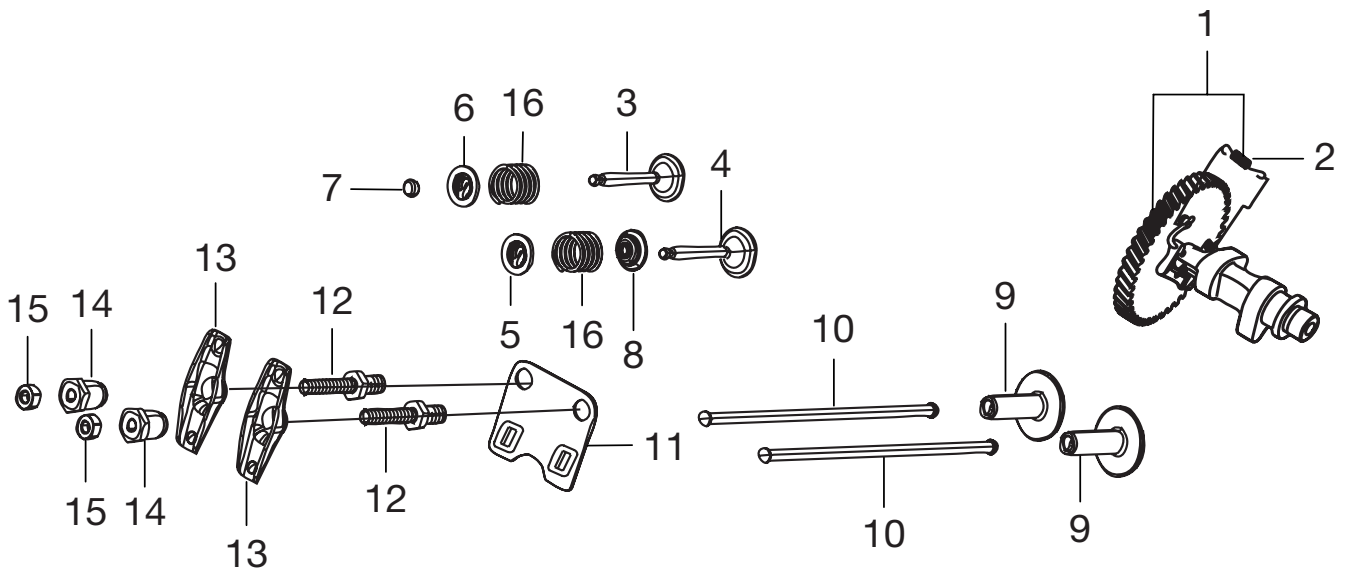
## Ring set, oil / rod, crankshaft conneting



N°	Description	Part Number	Qty (UOM)
1	Ring set, oil	U210-00030	1
2	Clip, piston pin	U210-00031	2
3	Piston	U210-00032	1
4	Pin, piston	U210-00033	1
5	Rod, connecting	U210-00034	1
7	Ring, the first	U210-00035	1
8	Ring, the secon	U210-00036	1
9	Ring set, oil	U210-00037	1

# CAIMAN

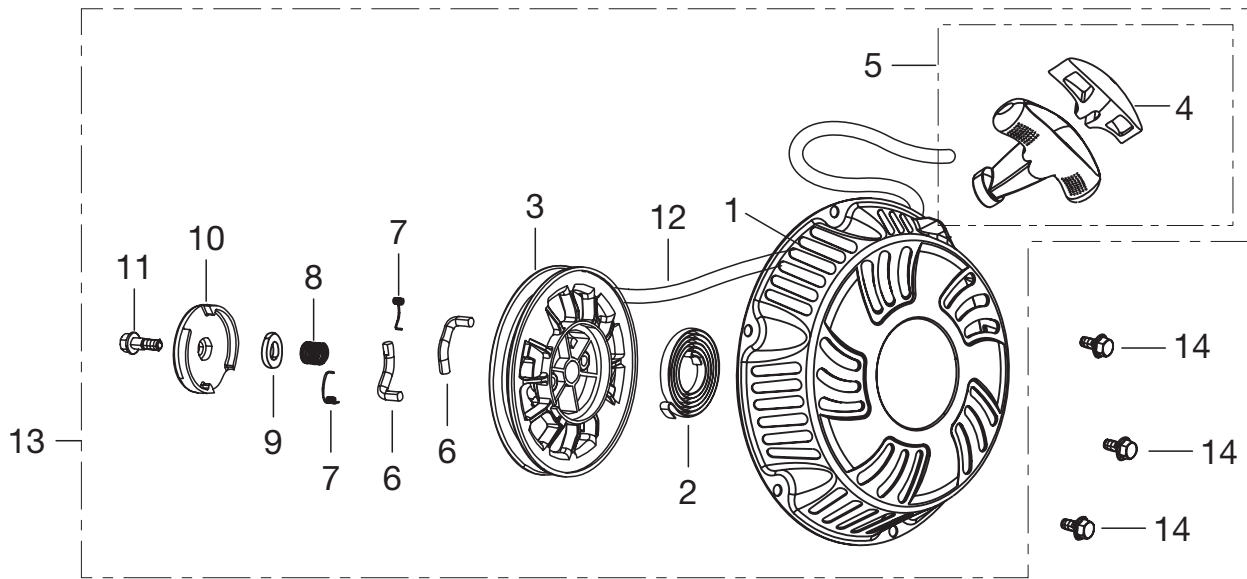
## Train, valve / camshaft subassembly



N°	Description	Part Number	Qty (UOM)
1	Camshaft assy.	U210-00038	1
3	Valve, exhaust	U210-00039	1
4	Valve, intake	U210-00040	1
5	Seat, valve spring	U210-00041	1
6	Retainer, exhaust valve	U210-00042	1
7	Rotator, valve	U210-00043	1
8	Guide, seal	U210-00044	1
9	Tappet, valve	U210-00045	2
10	Lifter, valve	U210-00046	2
11	Plate subasy, lifter stopper	U210-00047	1
12	Bolt, valve adjusting	U210-00048	2
13	Rocker, valve	U210-00049	2
14	Nut, valve adjusting	U210-00050	2
15	Nut, valve lock	U210-00051	2
16	Spring, valve	U210-00052	2

# CAIMAN

## Starter, recoil

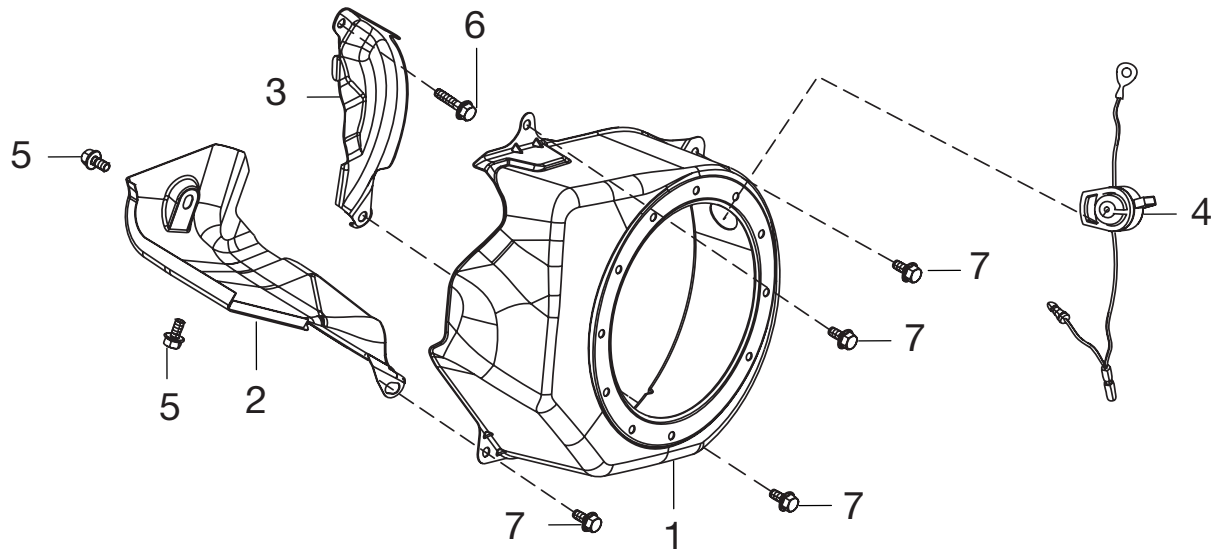


N°	Description	Part Number	Qty (UOM)
13	Starter assy, recoil	U210-00053	1
14	Bolt	U210-00054	4



# CAIMAN

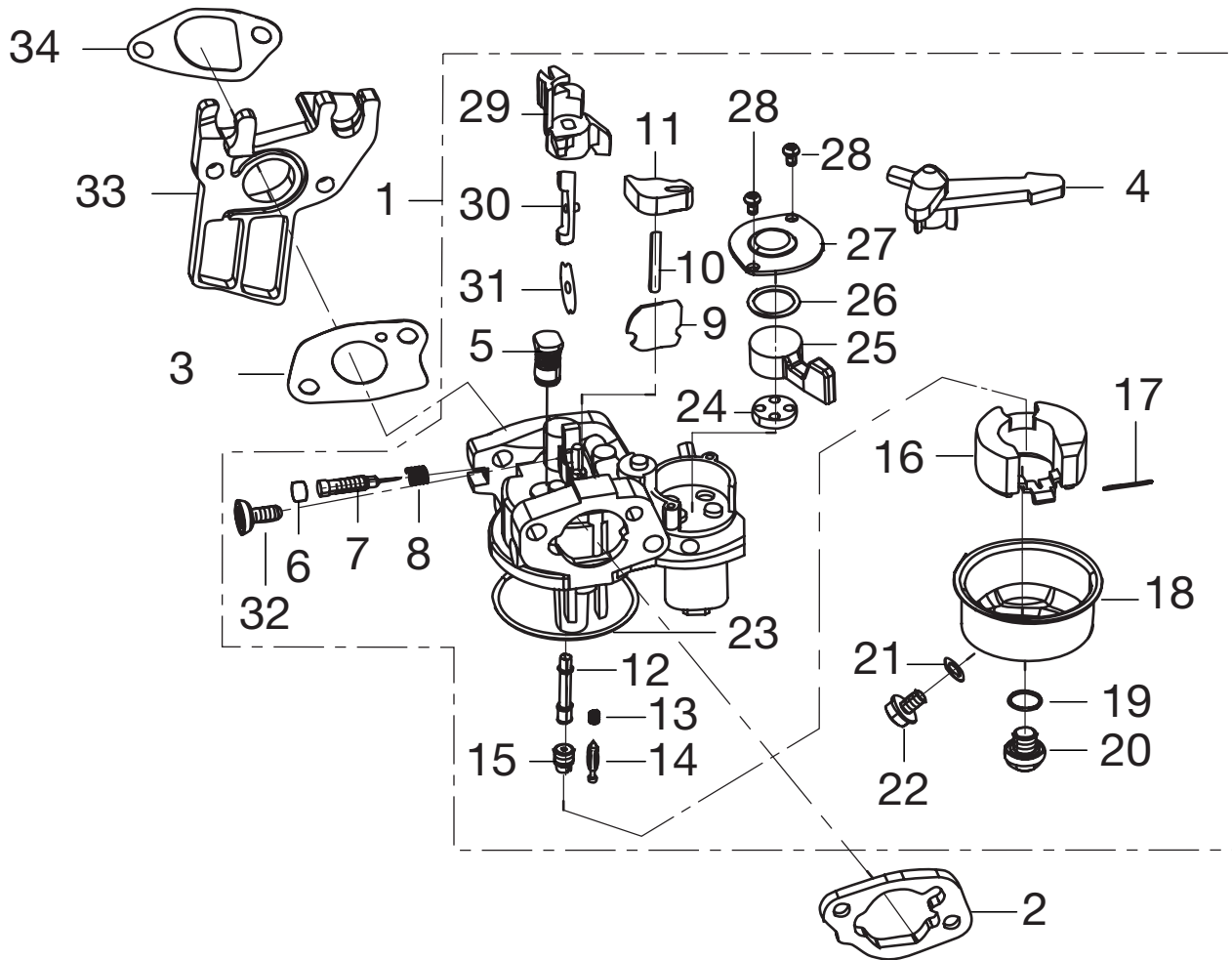
## Shroud / shield, lower



N°	Description	Part Number	Qty (UOM)
1	Shroud	U210-00055	1
2	Shroud, cylinder body	U210-00056	1
3	Shield,lower	U210-00057	1
4	Switch subasy, stop engine	U210-00058	1
7	Bolt	U210-00005	4
5	Bolt	U210-00060	2
6	Bolt	U210-00061	1

# CAIMAN

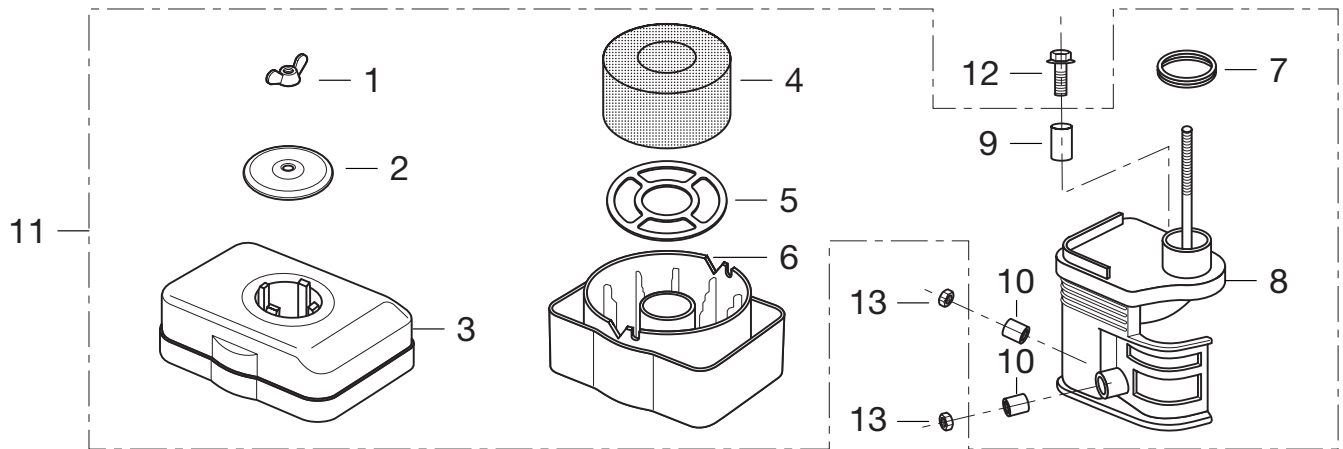
## Carburetor assembly



N°	Description	Part Number	Qty (UOM)
1	Carburetor assy.	U210-00062	1
2	Gasket, air cleaner	U210-00063	1
3	Gasket, carburetor	U210-00064	1
4	Choke lever	U210-00065	1
33	Plate, carburetor insulator	U210-00066	1
34	Gasket, carburetor insulator	U210-00067	1

# CAIMAN

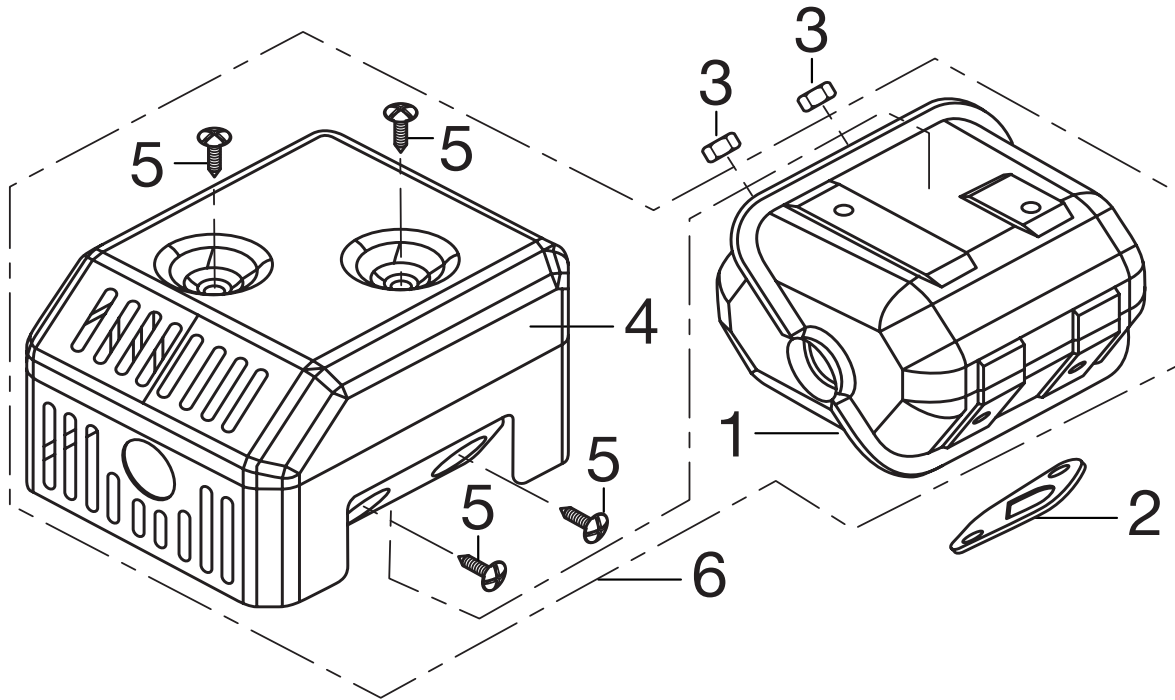
## Cleaner, air



N°	Description	Part Number	Qty (UOM)
1	Butterfly nut	U210-00068	1
4	Cleaner element, air	U210-00070	1
11	Cleaner, air	U210-00069	1

# CAIMAN

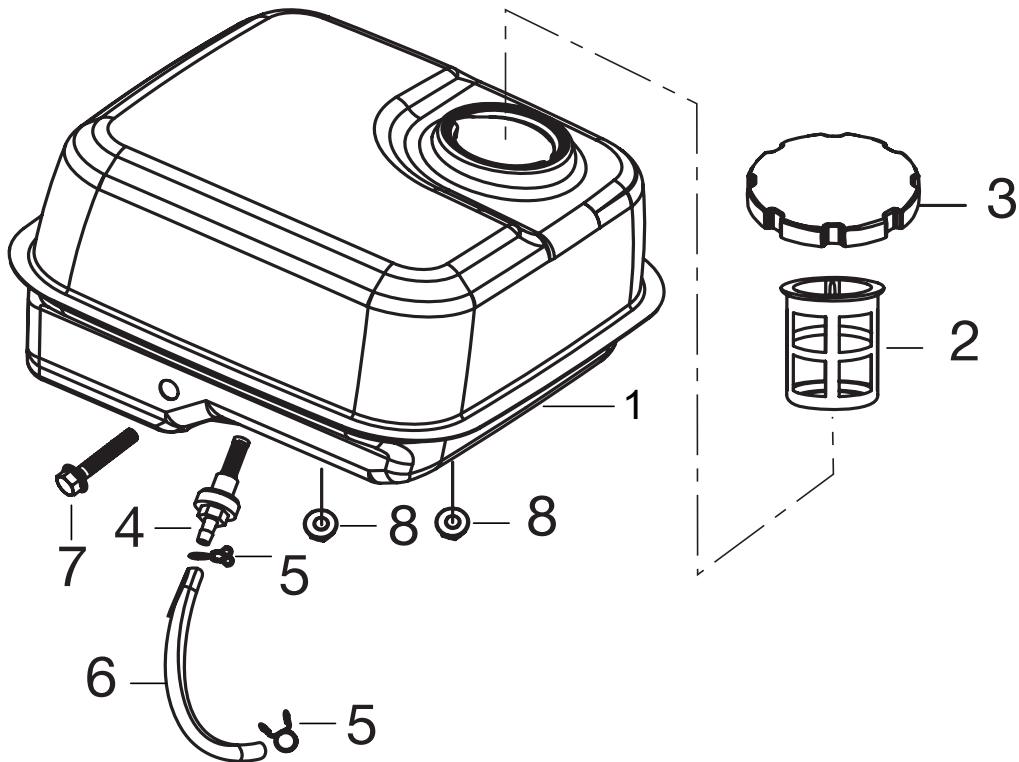
## Muffler assembly



N°	Description	Part Number	Qty (UOM)
2	Gasket, exhaust outlet	U210-00071	1
3	Nut	U210-00072	2
6	Muffler assy.	U210-00073	1

# CAIMAN

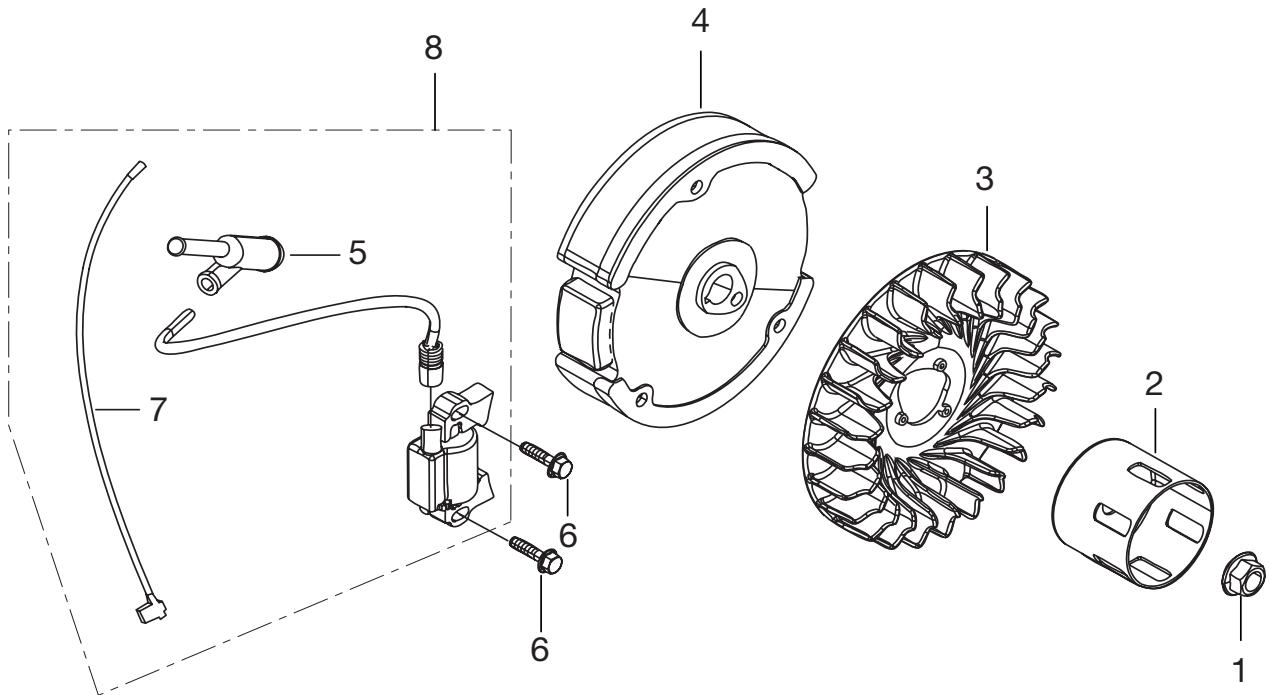
## Tank assembly, fuel



N°	Description	Part Number	Qty (UOM)
1	Tank, fuel	U210-00074	1
2	Strainer, fuel	U210-00075	1
3	Cover, fuel tank	U210-00076	1
4	Outlet subassembly, fuel tank oil	U210-00077	1
5	Collar	U210-00078	2
6	Tube, fuel	U210-00079	1
7	Bolt	U210-00080	1
8	Nut	U210-00081	2

# CAIMAN

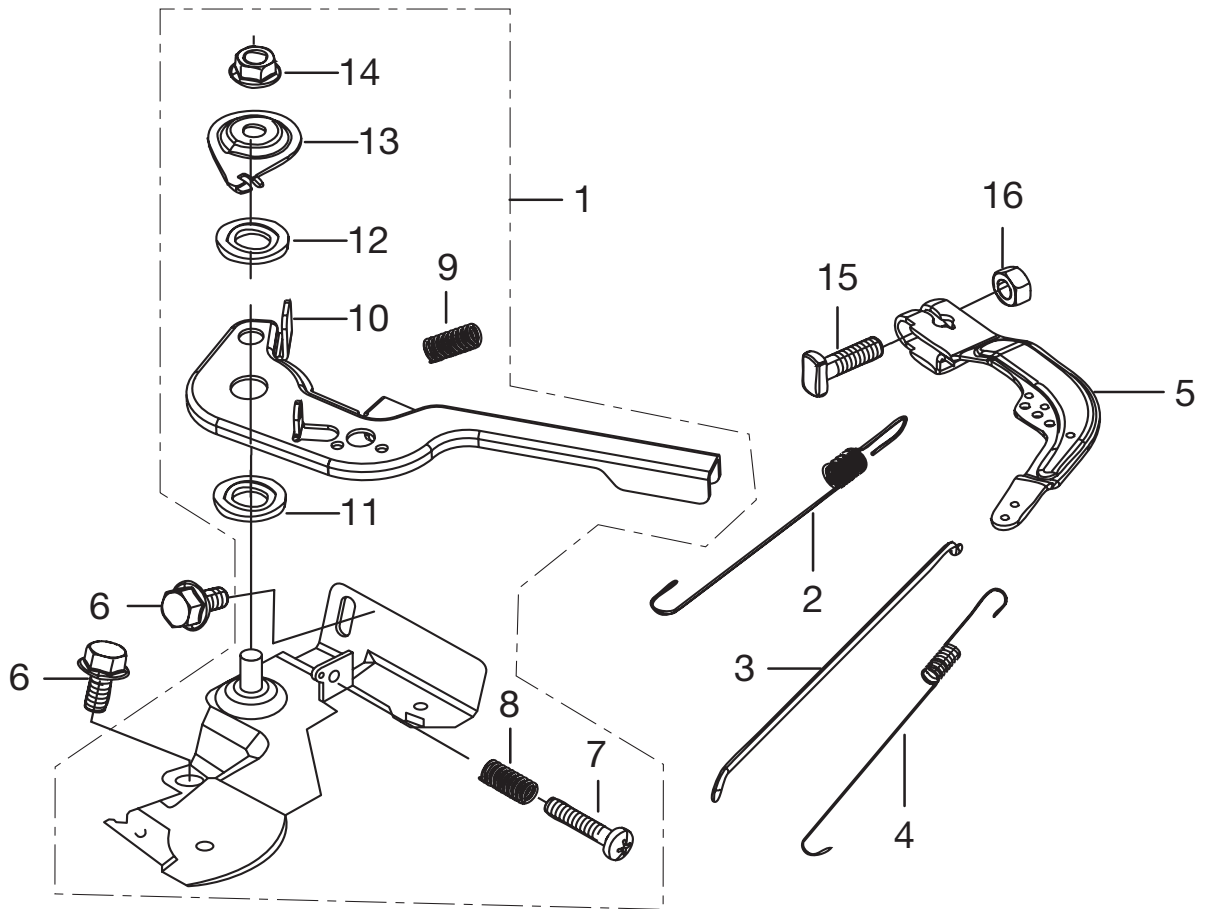
## Flywheel / impeller / starter pulley / ignition coil



N°	Description	Part Number	Qty (UOM)
1	Nut, flywheel	U210-00082	1
2	Pulley,starter	U210-00083	1
3	Impeller	U210-00084	1
4	Flywheel subassembly	U210-00085	1
6	Bolt	U100-00023	2
8	Coil, ignition	U210-00087	1

# CAIMAN

## Control assembly, throttle



N°	Description	Part Number	Qty (UOM)
1	Control assy, throttle	U210-00088	1
2	Spring, governor	U210-00089	1
3	Rod, governor	U210-00090	1
4	Spring, throttle valve returning	U210-00091	1
5	Support subassembly, governor	U210-00092	1
6	Bolt	U210-00060	2
15	Bolt, governor support	U210-00094	1
16	Nut	U210-00081	1