

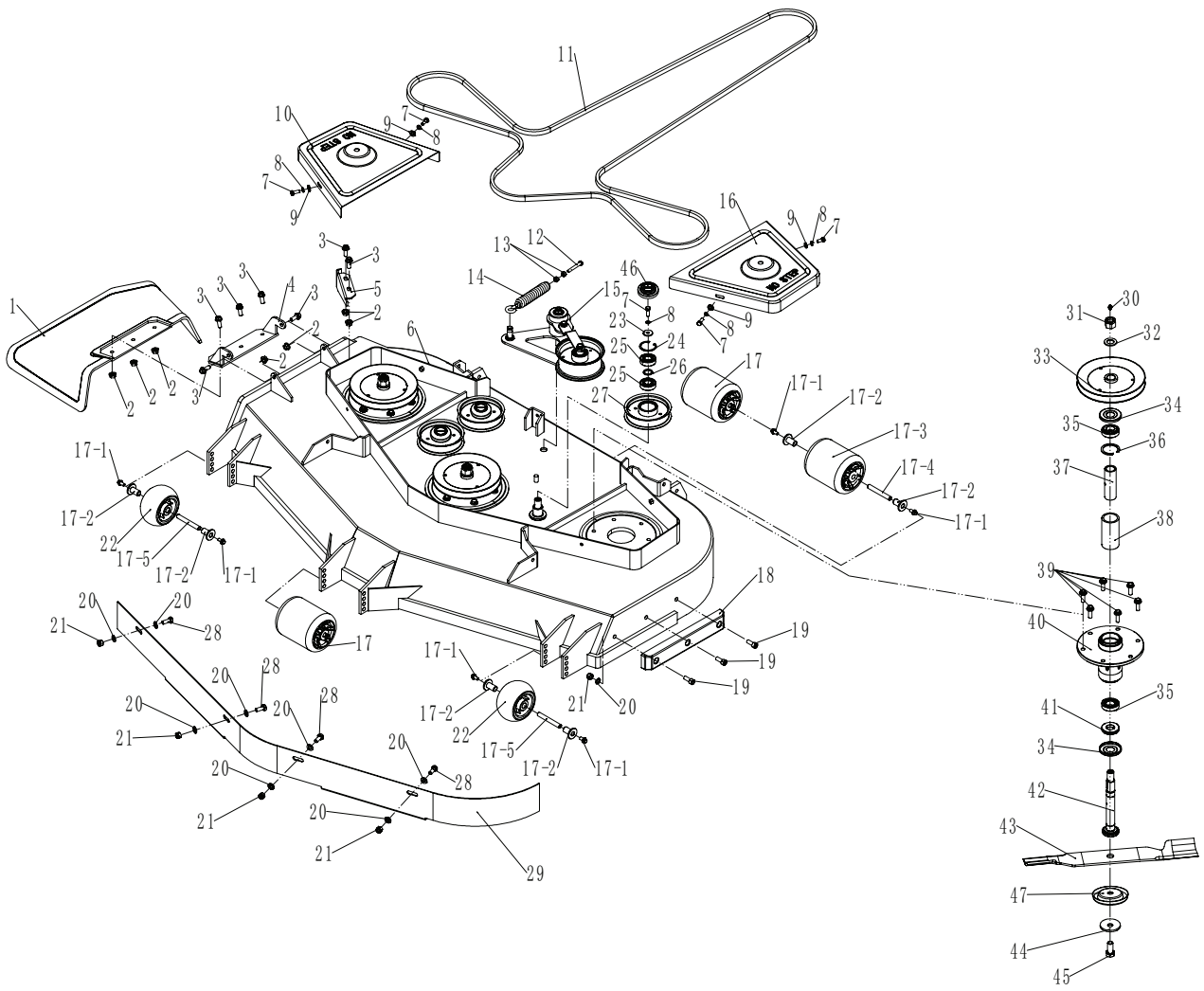
CAIMAN

Газонокосильная машина **ZERO 155KD**



CAIMAN

Blade Disc System



CAIMAN

Blade Disc System

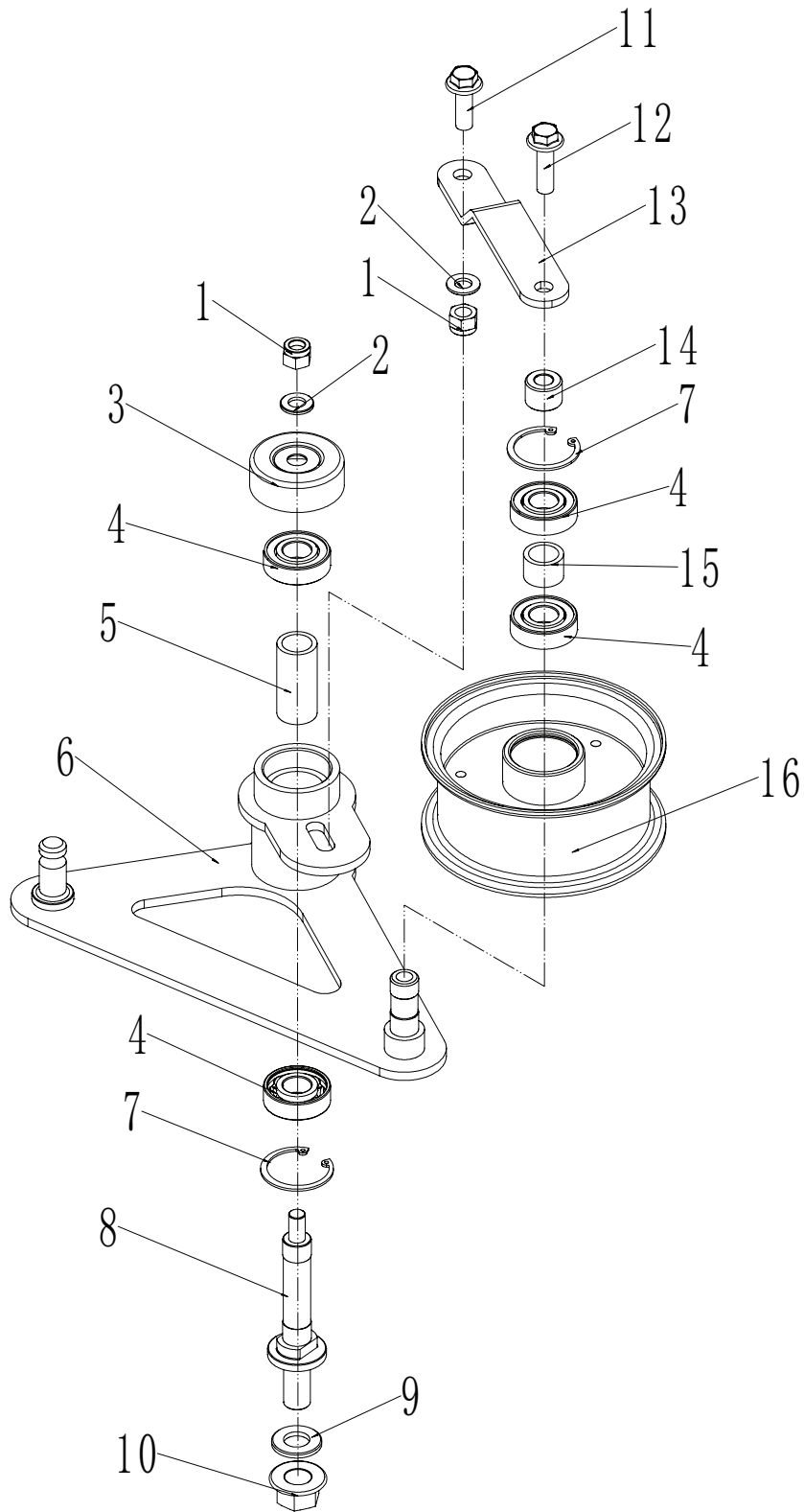
N°	Description	Part Number	Qty (UOM)
1	Grass Deflector	UZT85-00001	1
2	Nut - M10	UZT85-00002	7
3	Bolt - M10×25	UR200-00061	7
4	Install plate of deflector	UZT85-00003	1
5	Wind Deflector	UZT85-00004	1
6	Blade disc	UZT85-00005	1
7	Bolt - M8×20	U537-00060	7
8	Spring washer - φ8	U455-00053	7
9	Flat washer 8×1.6	U455-00061	7
10	Right pulley cover	UZT85-00006	1
11	Belt of blade disc	UZT85-00007	1
12	Bolt - M10×55	US270-00188	1
13	Nut - M10	UG806-00061	2
14	Tensional spring	UZT85-00008	1
15	Tensional part	UZT85-00009	1
16	Left pulley cover	UZT85-00010	1
17	Roller assembly	UZT85-00011	3
17-1	Bolt - M8×20	UR200-00058	10
17-2	Nylon bush	UZT85-00012	10
17-3	Front roller	UZT85-00013	3
17-4	Wheel shaft 1	UZT85-00014	3
17-5	Wheel shaft 2	UZT85-00015	2
18	Outside skirt of blade disc	UZT85-00016	1
19	Bolt - M10×40	UR390-00085	3
20	Ø10	U455-00029	11
21	Nut - M10	U537-00111	7
22	Small wheel	UZT85-00017	2
23	Washer	UG700-00100	3
24	Check ring φ47	UT160-00052	3
25	Bearing	UZT85-00018	6
26	Partition	UZT85-00019	3
27	Deflecting wheel	UZT85-00020	3

CAIMAN

N°	Description	Part Number	Qty (UOM)
28	Bolt - M10×25	UG806-00032	4
29	Front guard	UZT85-00021	1
30	Oil cup	UZT85-00022	3
31	Nut - M20	UT160-00050	3
32	Washer 20	UT160-00067	3
33	Pulley of Blade disc	UZT85-00023	3
34	Bearing cover	UZT85-00024	6
35	Bearing	UT160-00068	6
36	Partition	UZT85-00025	3
37	Inner Partition	UZT85-00026	3
38	Outside Partition	UZT85-00027	3
39	Bolt - M10×30	UZT85-00028	18
40	Bearing base	UZT85-00029	3
41	Oil sealing ring	UZT85-00030	3
42	Shaft of blade	UZT85-00031	3
43	Blade	UZT85-00032	3
44	Dish washer	UZT85-00033	3
45	Central bolt	UZT85-00034	3
46	Water-proof cover	UZT85-00035	2
47	Protecting Bush	UZT85-00036	3

CAIMAN

Tensional Part



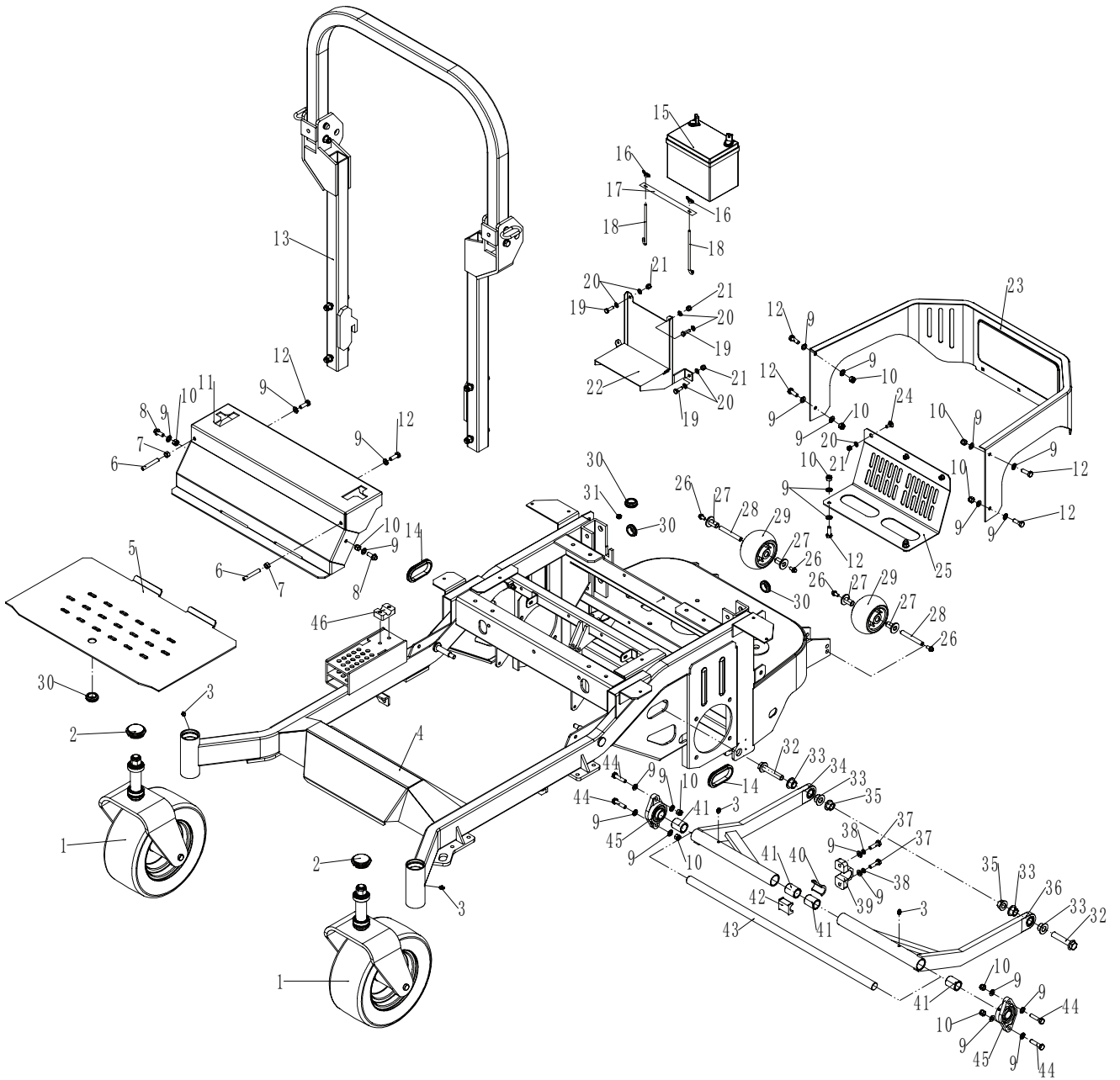
CAIMAN

Tensional Part

N°	Description	Part Number	Qty (UOM)
1	Nut - M10	U537-00111	2
2	Washer - 10	U455-00029	2
3	Bush	UZT85-00037	1
4	Bearing 6203-2RZ	UZT85-00038	4
5	Inner partition	UZT85-00039	1
6	Bracket	UZT85-00040	1
7	Check ring 40	UZT85-00041	2
8	Shaft of tensional part	UZT85-00042	1
9	Washer Φ 16	UR200-00071	1
10	M16	US270-00093	1
11	Bolt - M10*30	UZT85-00028	1
12	Bolt - M10*35	UZT85-00044	1
13	Connecting Rod	UZT85-00045	1
14	Washer	UZT85-00046	1
15	Inner partition	UZT85-00047	1
16	Tensional pulley	UZT85-00048	1

CAIMAN

Chassis Assembly



CAIMAN

Chassis Assembly

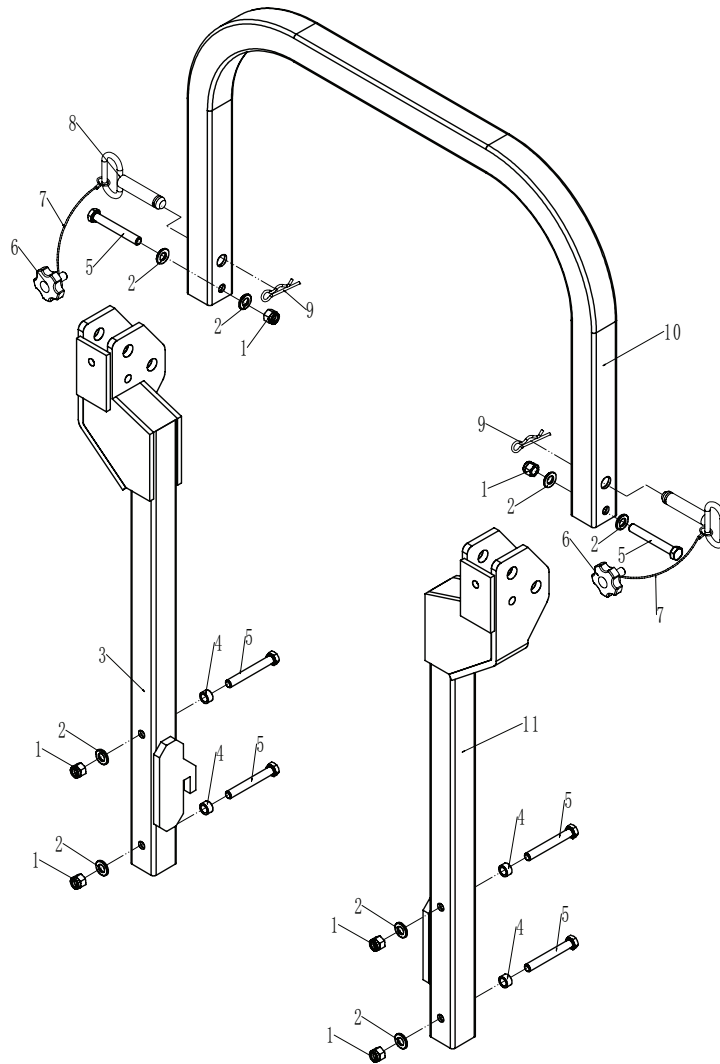
N°	Description	Part Number	Qty (UOM)
1	Front wheel assembly	UZT85-00049	2
2	Dust-proof cover	UT160-00062	2
3	Oil cup	UZT85-00022	2
4	Chassis	UZT85-00051	1
5	Middle pedal	UZT85-00052	1
6	Screw - M10×60	UZT85-00053	2
7	Nut - M10	UG806-00061	2
8	Bolt - M10×25	UR200-00061	2
9	Washer 10×2	U455-00029	28
10	Nut - M10	U537-00111	13
11	Front panel	UZT85-00054	1
12	Bolt - M10×30	UT160-00083	8
13	Protecting frame	UZT85-00055	1
14	Rubber ring	UZT85-00056	2
15	Battery	UZT85-00057	1
16	Nut - M8	UZT85-00058	2
17	Pressing plate	UZT85-00059	1
18	Pull rod	UZT85-00060	2
19	Bolt - M8×25	UG806-00029	4
20	Washer 8×1.6	U455-00061	8
21	Nut - M8	U455-00007	4
22	Bottom plate	UZT85-00061	1
23	Engine guard	UZT85-00062	1
24	Bolt - M8×20	UZT85-00063	3
25	Bottom plate	UZT85-00064	1
26	Bolt - M10×20	UR200-00056	4
27	Nylon bush	UZT85-00012	4
28	Wheel shaft	UZT85-00015	2
29	Wheel	UZT85-00017	2
30	Rubber ring	UZT85-00068	3
31	Rubber ring 8×6	UZT85-00069	1
32	Bolt - M16×80	UZT85-00070	2
33	Partition	UZT85-00071	4
34	Right hang stick	UZT85-00072	1
35	Nut 16	UZT85-00073	2
36	Left hang stick	UZT85-00074	1

CAIMAN

N°	Description	Part Number	Qty (UOM)
37	Bolt - M10×35	UG390-00011	2
38	Spring washer 10×2.8	UR200-00070	2
39	Bracket	UZT85-00075	1
40	Nylon bush	UZT85-00076	1
41	Partition 1	UZT85-00077	4
42	Nylon bush	UZT85-00078	1
43	Hang shaft	UZT85-00079	1
44	Bolt - M10×45	UT160-00011	4
45	Bearing	UZT85-00080	2
46	Handle base	UZT85-00081	1

CAIMAN

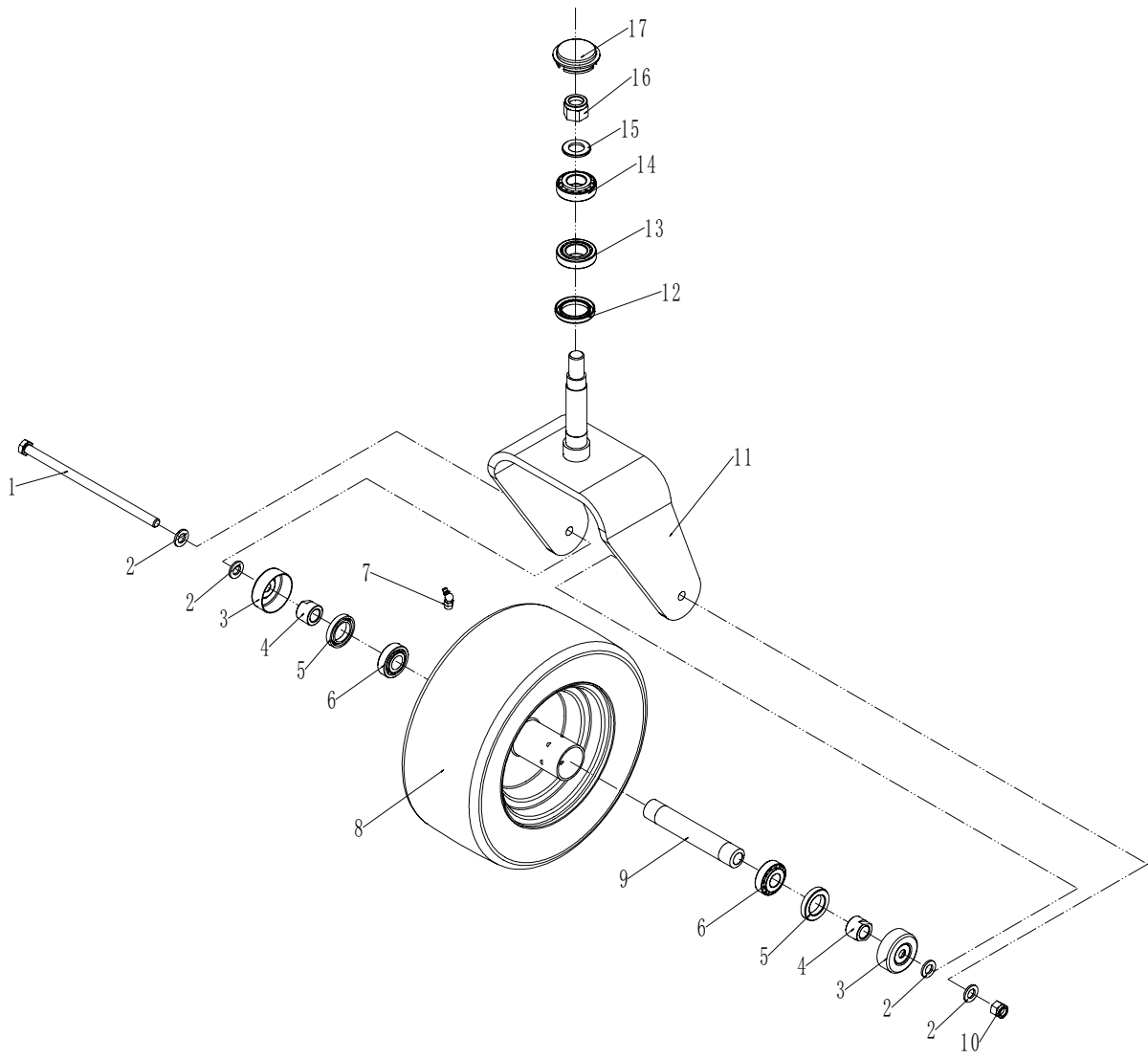
Protecting Frame



N°	Description	Part Number	Qty (UOM)
1	Nut - M12	UR200-00076	6
2	Washer Φ 12	UR200-00074	8
3	Lower left protecting frame	UZT85-00082	1
4	Partition	UZT85-00083	4
5	Blot - M12*90	UZT85-00084	6
6	Bolt - M10×30	UZT85-00085	2
7	Hang rope	UZT85-00086	2
8	Pin	UZT85-00087	2
9	Check ring	UZT85-00088	2
10	Upper protecting frame	UZT85-00089	1
11	Lower Right protecting frame	UZT85-00090	1

CAIMAN

Front Wheels



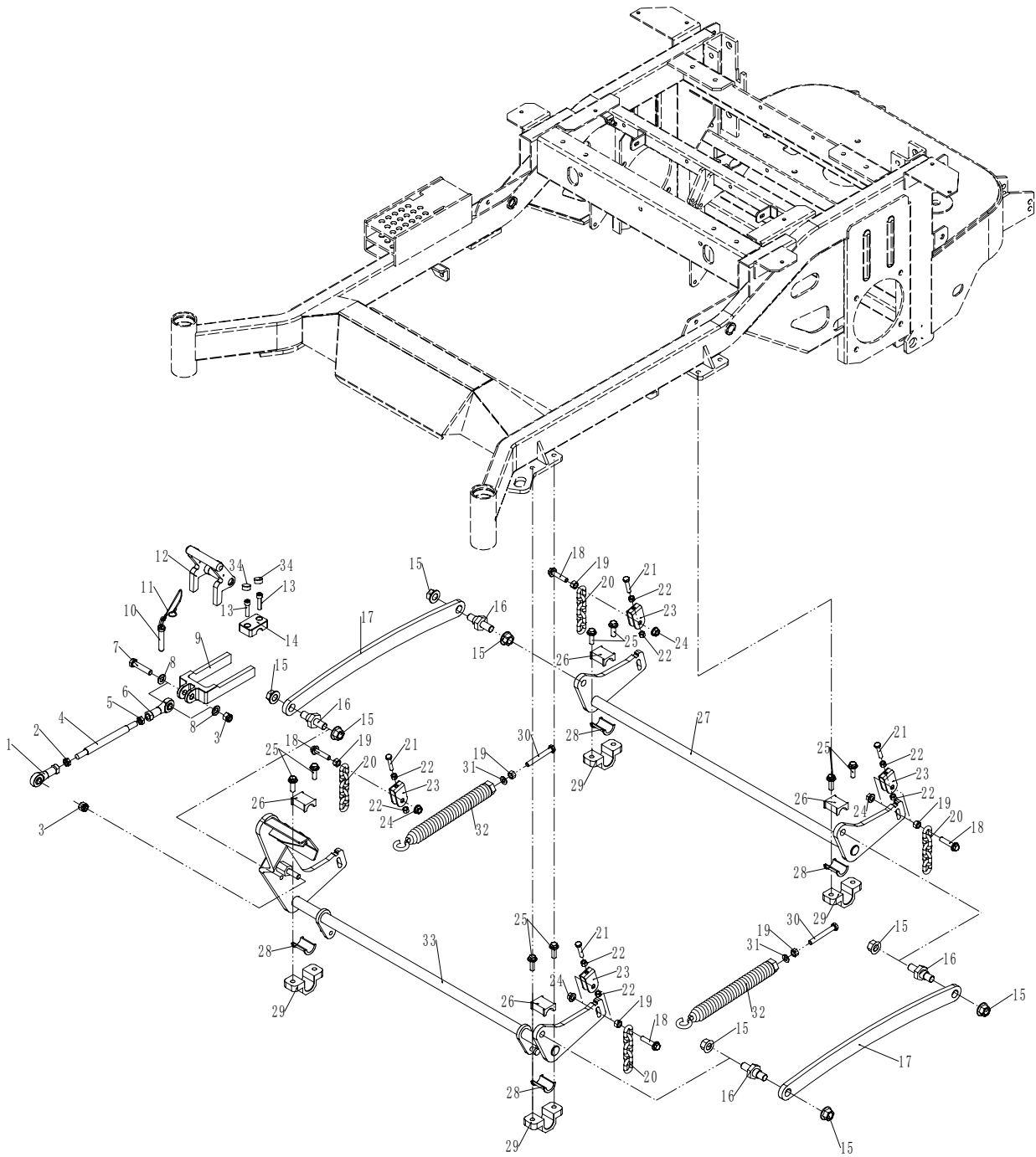
CAIMAN

Front Wheels

N°	Description	Part Number	Qty (UOM)
1	Bolt - M12*240	UZT85-00091	2
2	Washer 12	UR200-00074	8
3	Bush	UZT85-00092	4
4	Partition	UZT85-00093	4
5	Oil sealing	UZT85-00094	4
6	Bearing	UZT85-00095	4
7	Oil cup	UZT85-00022	2
8	Front wheel	UZT85-00097	2
9	Inner partition	UZT85-00098	2
10	Nut - M12	UR200-00076	2
11	Front wheel bracket	UZT85-00099	2
12	Sealing ring	UZT85-00100	2
13	Bearing	UZT85-00101	2
14	Washer ϕ 20	UT160-00067	2
15	Nut - M20	UZT85-00102	2
16	Dust-proof cover	UT160-00062	2

CAIMAN

Lifting Equipment



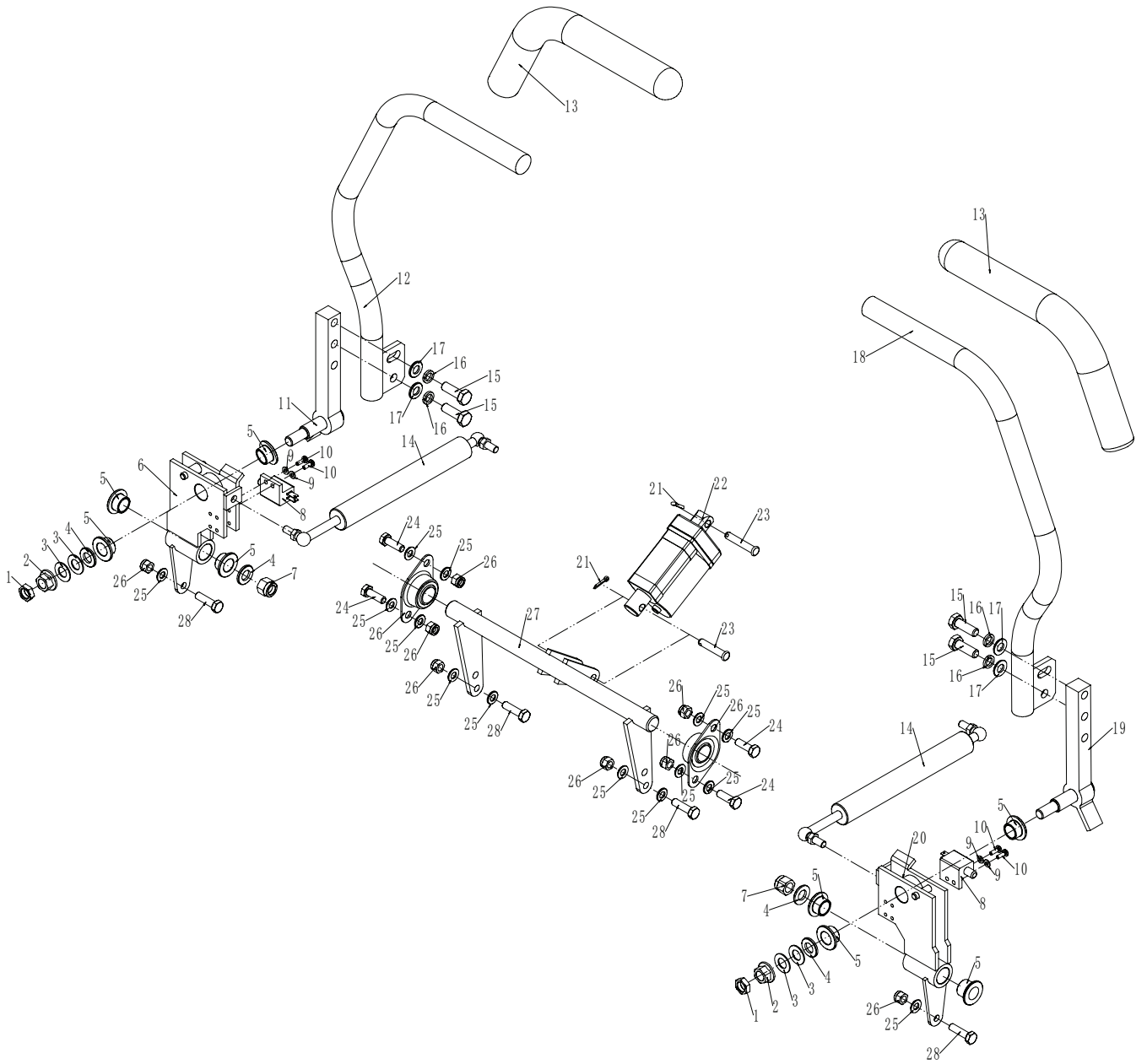
CAIMAN

Lifting Equipment

N°	Description	Part Number	Qty (UOM)
1	Bearing	UZT85-00103	1
2	Nut - M12	UR200-00073	1
3	Nut - M12	UR200-00076	2
4	Lifting Rod	UZT85-00104	1
5	Nut - M12	UZT85-00105	1
6	Bearing	UZT85-00106	1
7	Bolt - M12×55	UZT85-00107	1
8	Washer 12×2.5	UR200-00074	2
9	Sliding block	UZT85-00108	1
10	Pin	UZT85-00109	1
11	Hang rope	UZT85-00086	1
12	Lock lever	UZT85-00111	1
13	Screw - M8×35	US270-00042	2
14	Pressing block	UZT85-00112	1
15	Nut - M16	UZT85-00113	8
16	Pin	UZT85-00114	4
17	Connecting Rod	UZT85-00115	2
18	Bolt - M10*45	UZT85-00116	4
19	Nut - M10	UG806-00061	6
20	Hang chain	UZT85-00117	4
21	Bolt - M8×40	UT160-00002	4
22	Nut - M8	UG700-00022	8
23	Chain adjustment	UZT85-00118	4
24	Nut - M10	UZT85-00119	4
25	Bolt - M10×30	UZT85-00028	8
26	Nylon bush	UZT85-00078	4
27	Rear connecting rod	UZT85-00122	1
28	Nylon bush	UZT85-00123	4
29	Bracket	UZT85-00075	4
30	Bolt - M10×150	UZT85-00125	2
31	Washer 10×2	U455-00029	2
32	Pull spring	UZT85-00126	2
33	Front connecting rod	UZT85-00127	1
34	Pulg	UZT85-00128	2

CAIMAN

Joystick System



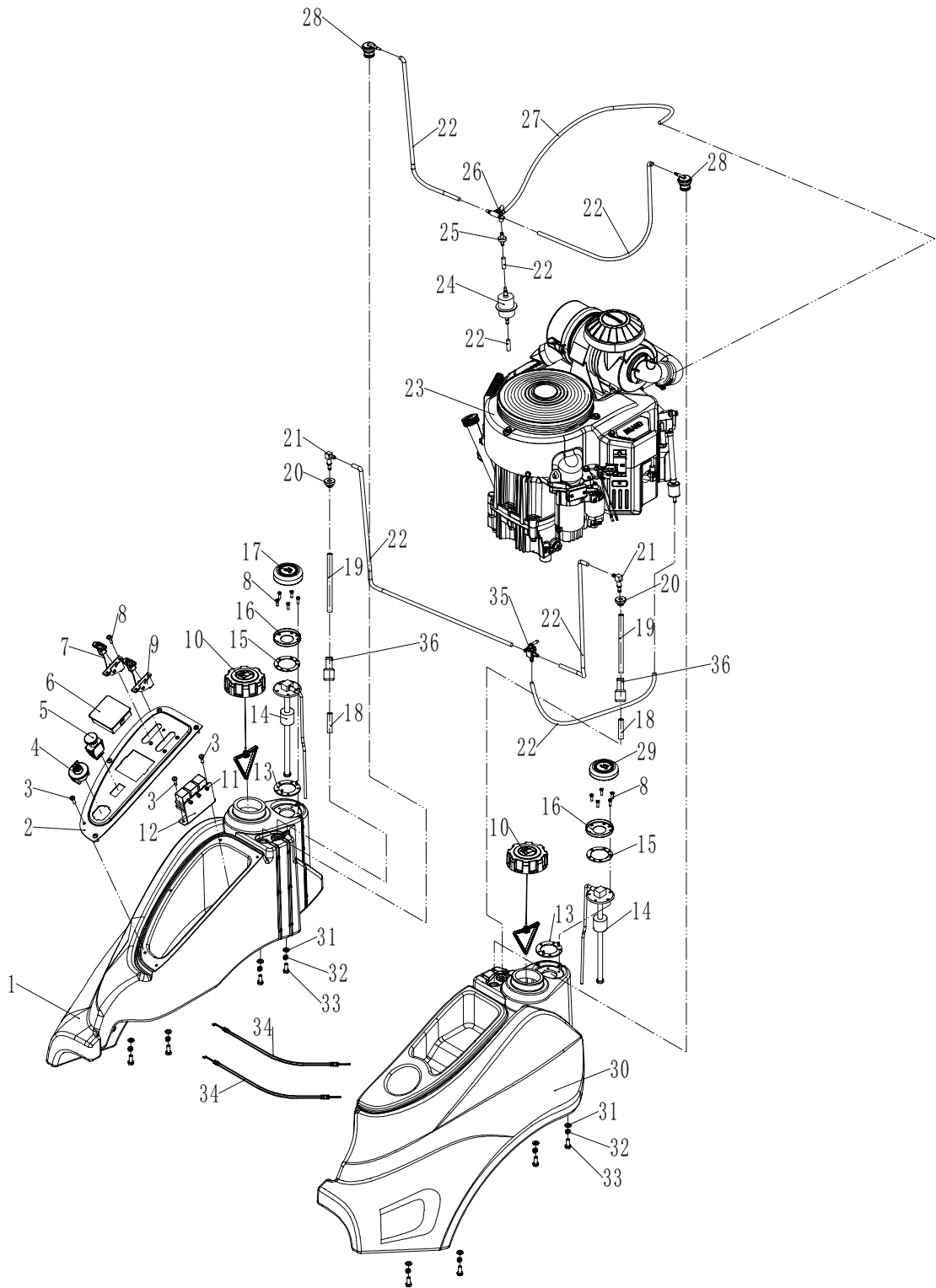
CAIMAN

Joystick System

N°	Description	Part Number	Qty (UOM)
1	Nut - M12	UZT85-00129	2
2	Nut - M12	UZT85-00130	2
3	Washer 12×1	UZT85-00131	4
4	Washer 12×2.5	UR200-00074	4
5	Partition	UZT85-00132	8
6	Right handle joint	UZT85-00133	1
7	Nut - M12	UR200-00076	2
8	Switch	UZT85-00134	2
9	Washer 4×0.8	UZT85-00135	4
10	Screw - M4×12	UZT85-00136	4
11	Right handle connecting block	UZT85-00137	1
12	Right handle	UZT85-00138	1
13	Handle sheath	UZT85-00139	2
14	Damper	UZT85-00140	2
15	Bolt - M10×30	UT160-00083	4
16	Spring washer 10×2.6	UR200-00070	4
17	Washer10×2	U455-00029	4
18	Left handle	UZT85-00141	1
19	Left handle connecting block	UZT85-00142	1
20	Left handle joint	UZT85-00143	
21	Check ring 3.2×14	UZT85-00144	2
22	Electric pushing rod	UZT85-00145	1
23	Pin axis 8×40	UZT85-00146	2
24	Bolt - M8×25	UZT85-00147	4
25	Washer 8×1.6	U455-00061	14
26	Nut - M8	U455-00007	8
27	Brake shaft	UZT85-00148	1
28	Bolt - M8×30	UZT85-00149	2

CAIMAN

Oil Circuit



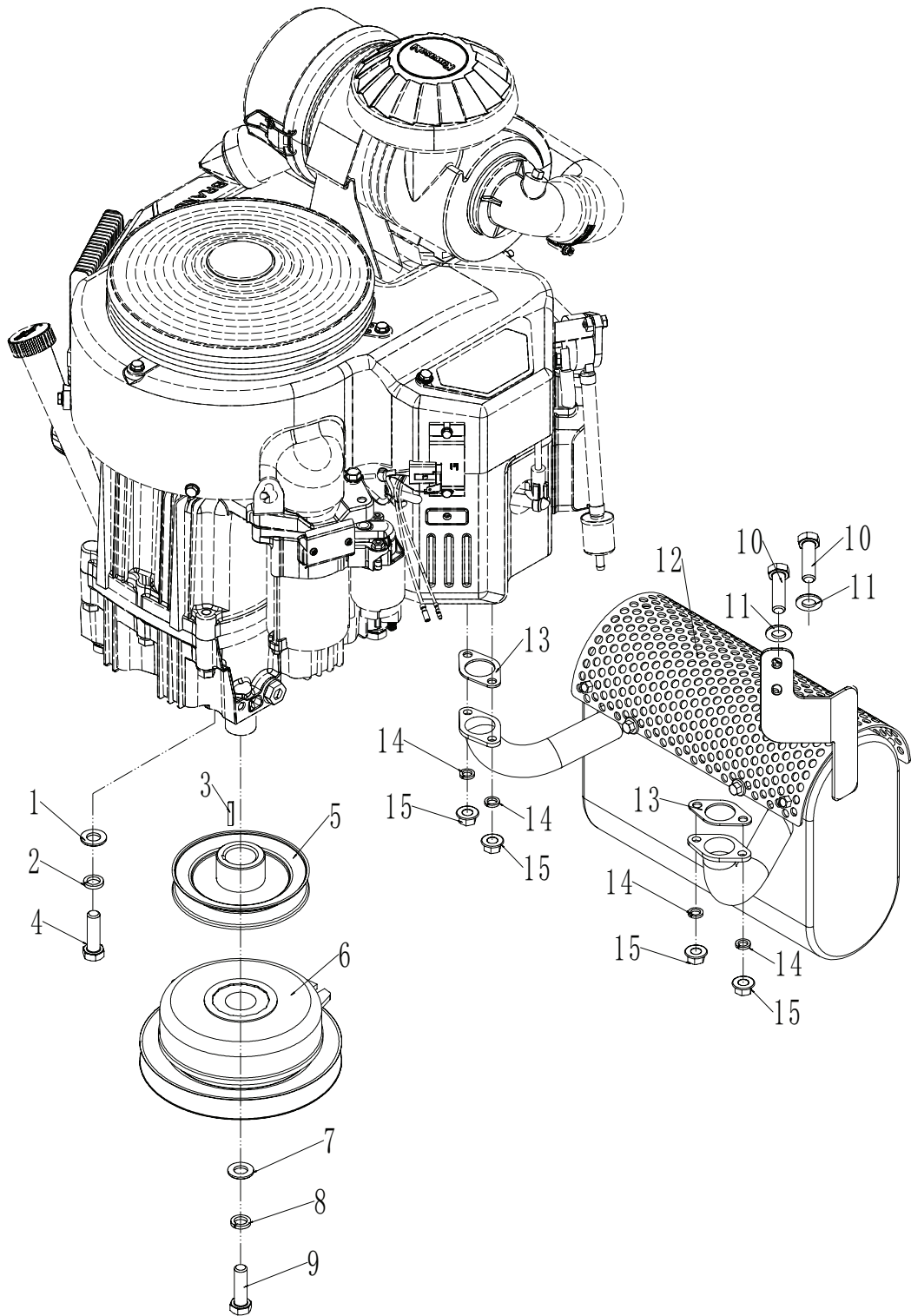
CAIMAN

Oil Circuit

N°	Description	Part Number	Qty (UOM)
1	Right oil tank	UZT85-00150	1
2	Control panel	UZT85-00151	1
3	Screw - M6×20	UZT85-00152	7
4	Switch	UZT85-00153	1
5	PTO Switch	UZT85-00154	1
6	Screen	UZT85-00155	1
7	Throttle lever	UZT85-00156	1
8	Screw - M3×16	UV160-00035	16
9	Throttle lever	UZT85-00157	1
10	Oil tank cover	UZT85-00158	2
11	Nut - M5	UA516-00063	2
12	Relay bracket	UZT85-00159	1
13	Ring gasket of oil level sensor	UZT85-00160	2
14	Oil level sensor	UZT85-00161	2
15	Washer	UZT85-00162	2
16	Pressing cover	UZT85-00163	2
17	Right Cover	UZT85-00164	2
18	Filter of input pipe	UZT85-00165	2
19	Input pipe	UZT85-00166	2
20	Sealing ring	UZT85-00167	2
21	Oil inlet	UZT85-00168	2
23	Engine	UZT85-00170	1
24	Filter of air inlet	UZT85-00171	1
25	One-way valve	UZT85-00172	1
26	Four-way valve	UZT85-00173	1
28	Pouring valve	UZT85-00175	2
29	Left Cover	UZT85-00164	1
30	Left oil tank	UZT85-00177	1
31	Washer 8×1.6	U455-00061	4
32	Spring	UZT85-00178	4
33	Bolt - M8×20	UZT85-00179	4
34	Throttle cable	UZT85-00180	2
35	Reversing valve	UZT85-00181	1
36	Balancing head	UZT85-00182	2

CAIMAN

Engine Part



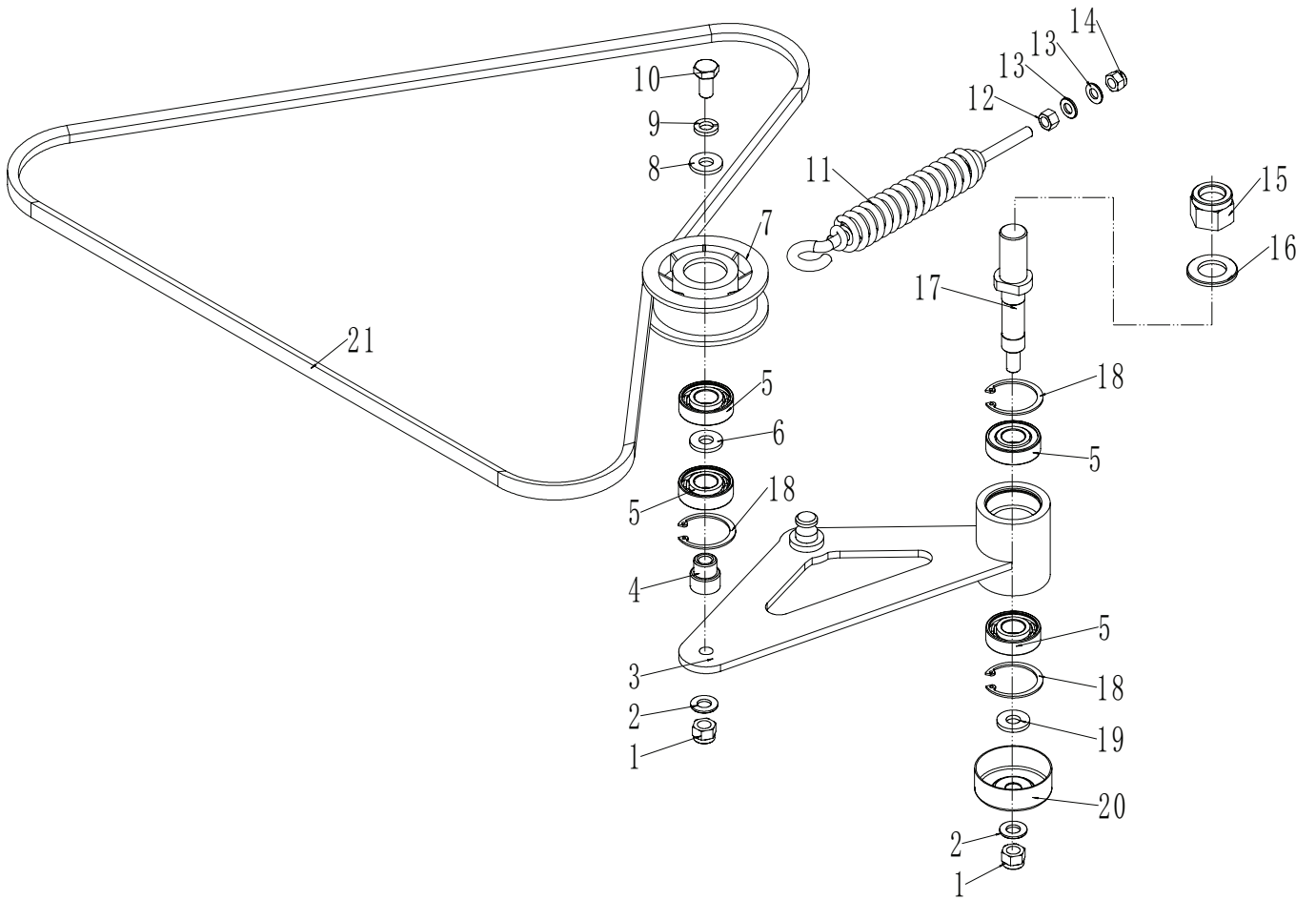
CAIMAN

Engine Part

N°	Description	Part Number	Qty (UOM)
1	Washer Φ 10	U455-00029	4
2	Spring washer Φ 10	UR200-00070	4
3	Key 6.25×6×36	UZT85-00183	1
4	Bolt	UZT85-00184	4
5	Engine pulley	UZT85-00185	1
6	Magnetic clutch	U061-00001	1
7	Washer Φ 12	UR200-00074	1
8	Spring washer Φ 12	UR200-00075	1
9	Bolt - M12×1.25×75	UZT85-00187	1
10	Bolt - M8×20	UZT85-00179	2
11	Washer Φ 8	U455-00061	2
12	Muffler	UZT85-00189	1
13	Sealing gasket of muffler	UZT85-00190	2
14	Spring washer Φ 8	U455-00053	4
15	Nut - M8	UG700-00022	2

CAIMAN

Oil Pump Tensional Part



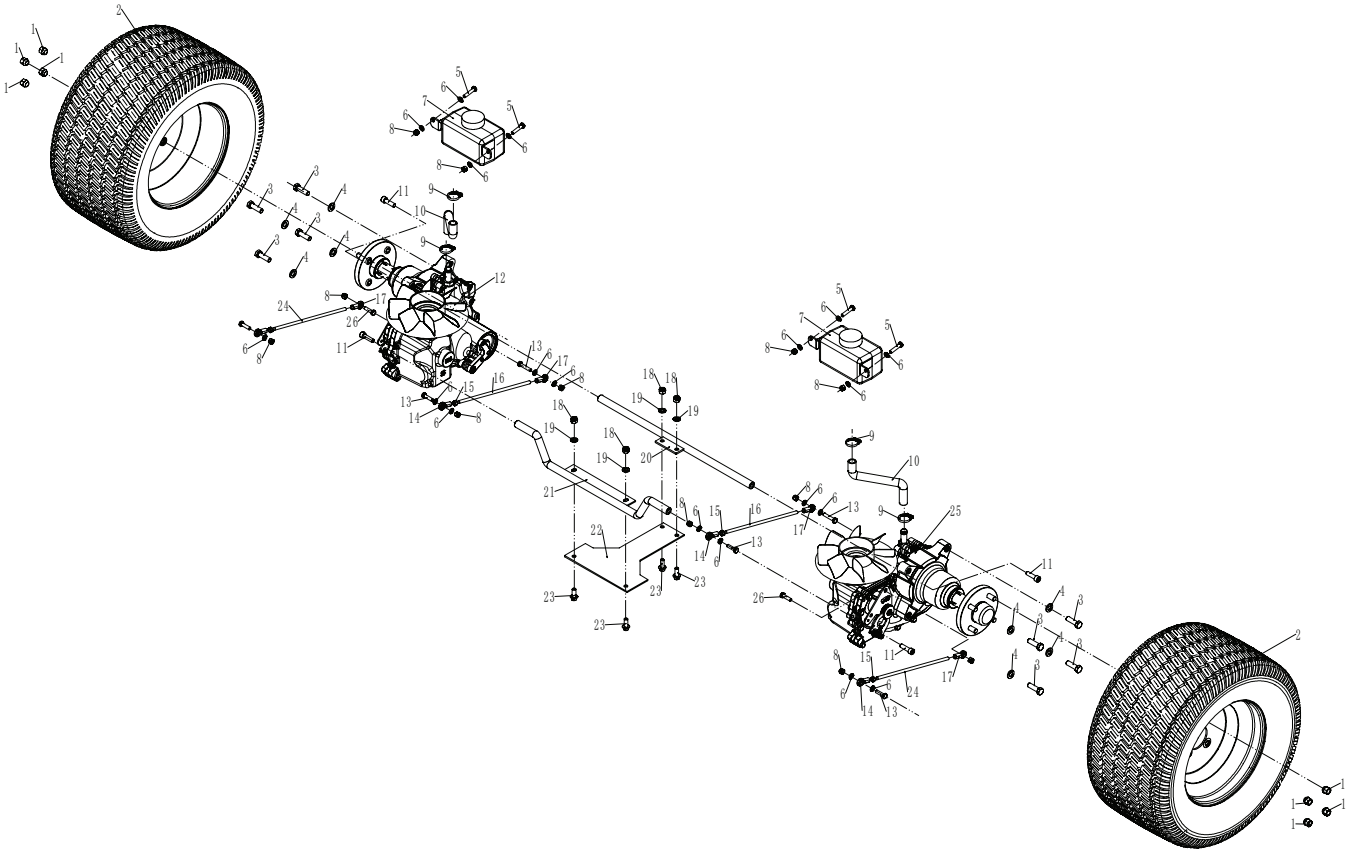
CAIMAN

Oil Pump Tensional Part

N°	Description	Part Number	Qty (UOM)
1	Nut M10	UZT85-00191	2
2	Washer φ10	U455-00029	2
3	Tensional Bracket	UZT85-00192	1
4	Shaft bush	UZT85-00193	1
5	Bearing	UZT85-00194	4
6	Partition	UZT85-00195	1
7	Tensional pulley	UZT85-00196	1
8	Washer	UZT85-00197	1
9	Spring washer φ10	UZT85-00198	1
10	Bolt - M10*60	UT160-00040	1
11	Spring	UZT85-00199	1
12	Nut - M8	UG700-00022	1
13	Washer φ8	U455-00061	2
14	Nut - M8	U076-00006	1
15	Nut - M16	US270-00093	1
16	Washer φ16	UR200-00071	1
17	Shaft	UZT85-00200	1
18	Check ring φ40	UZT85-00041	3
19	Gasket	UZT85-00202	1
20	Pulley bush	UZT85-00037	1
21	Belt	UZT85-00204	1

CAIMAN

Rear Wheels Part



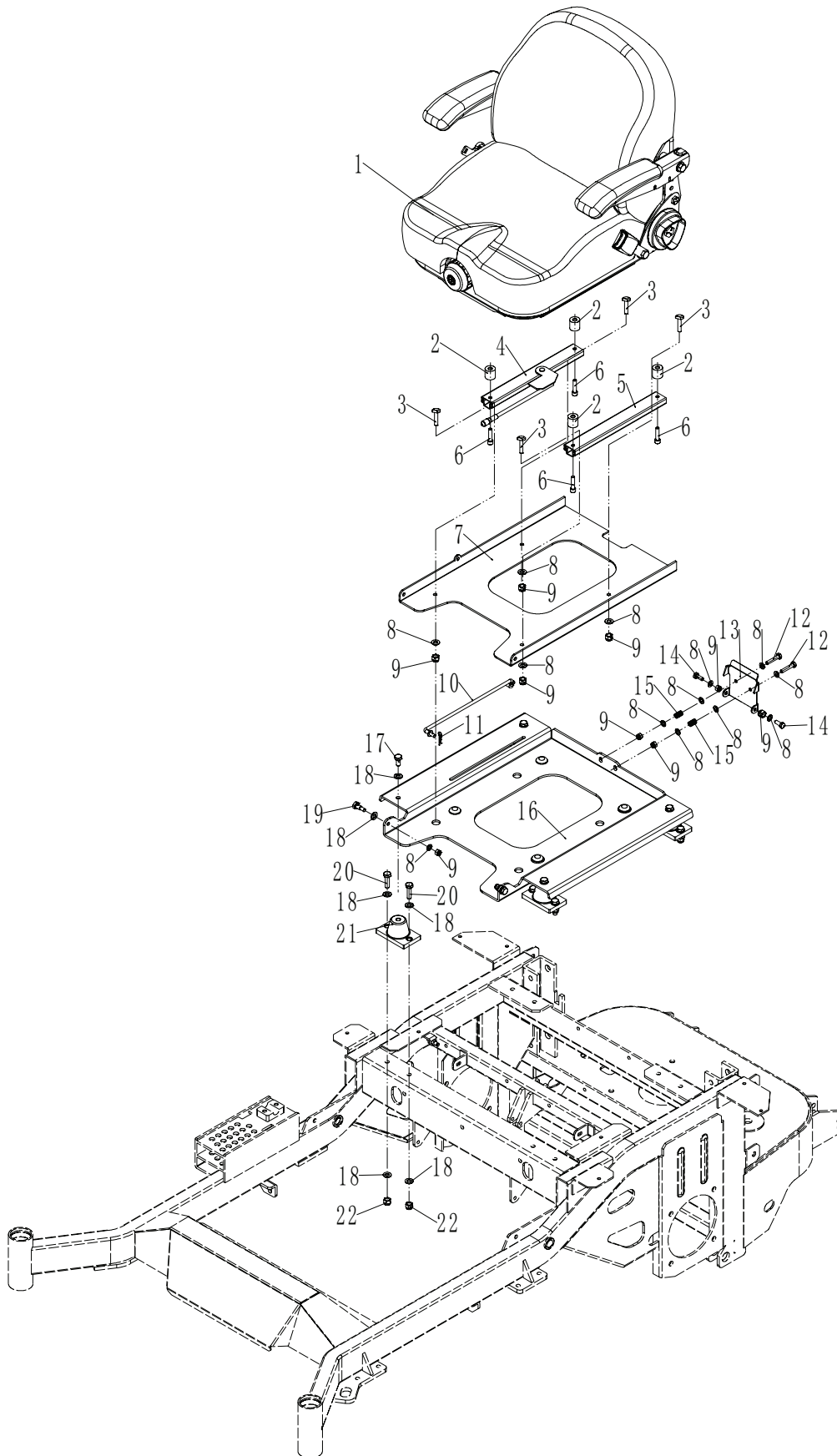
CAIMAN

Rear Wheels Part

N°	Description	Part Number	Qty (UOM)
1	Nut	UZT85-00205	8
2	Rear wheel	UZT85-00206	2
3	Bolt 1/2-13 12.9	UZT37-00207	8
4	Washer φ12	UR200-00074	8
5	Bolt - M8×65	UZT85-00208	4
6	Washer φ8	U455-00061	22
7	Oil tank	UZT85-00209	2
8	Nut - M8	U076-00006	12
9	Circlip	UZT85-00210	2
10	Pipe	UZT85-00211	2
11	Bolt 3/8-16×35	UZT85-00212	4
12	Right gear box	UZT85-00213	1
13	Bolt - M8×40	UZT85-00214	6
14	Bearing	UZT85-00103	4
15	Nut - M8	UG700-00022	4
16	Connecting rod	UZT85-00216	2
17	Bearing	UZT85-00106	2
18	Nut - M10	U537-00111	4
19	Washer φ10	U076-00013	4
20	Back supporting rod	UZT85-00218	1
21	Front supporting rod	UZT85-00219	1
22	Connecting plate	UZT85-00220	1
23	Bolt - M10×25	UR200-00061	4
24	Connecting Rod	UZT85-00221	2
25	Left gear box	UZT85-00222	1
26	Blot	UZT85-00223	2

CAIMAN

Chair Part



CAIMAN

Chair Part

N°	Description	Part Number	Qty (UOM)
1	Chair	UZT85-00224	1
2	Partition	UZT85-00225	4
3	Bolt - M8×20	UZT37-00062	4
4	Right rail	UZT85-00227	1
5	Left rail	UZT85-00227	1
6	Bolt - 5/16-18×40	UZT85-00229	4
7	Install plate	UZT85-00230	1
8	Washer φ8	U076-00005	16
9	Nut M8	U076-00006	10
10	Pull arm	UZT85-00231	1
11	Pin	UZT37-00063	1
12	Bolt - M8×45	UG700-00026	4
13	Locking plate	UZT85-00233	1
14	Bolt - M8×20	UZT85-00179	2
15	Pressing spring	UZT85-00235	2
16	Chair Base	UZT85-00236	1
17	Bolt - M10×25	UG806-00032	4
18	Washer φ10	U076-00013	22
19	Connecting bolt	UZT85-00237	2
20	Bolt - M10×35	UZT85-00238	8
21	Chair damper	UZT85-00239	4
22	Nut - M10	U537-00111	8

CAIMAN

Electrical Diagram

N°	Description	Part Number	Qty (UOM)
1	Switch	UZT85-00153	1
2	Key	UZT85-00241	1
3	PTO Switch	UZT85-00154	1
4	Screen	UZT85-00155	1
5	Relay 12V 40A	UZT85-00244	3
7,1	Fuse, 25A	UZT85-00245	1
7,2	Fuse, 20A	UZT85-00246	1
7,3	Fuse, 10A	UZT85-00247	1
8	Switch	UZT85-00134	2
9	Wire assembly	UZT85-00249	1
10	Spring cable	UZT85-00250	1
11	Magnetic clutch cable	UZT85-00251	1
12	Rubber ring	UZT85-00068	3
13	Cable tie	UZT85-00253	10
14	Positive pole wire	UZT85-00254	1
15	Negetive pole wire	UZT85-00255	1
16	Bush	UZT85-00256	2
17	Bolt - M6×16	UZT85-00257	2
18	Washer - 6	UZT85-00258	2
19	Battery 12V	UZT85-00057	1
20	Spring washer - 6	UZT85-00260	2
21	Nut - M6	UZT85-00261	2
22	Cable tie	UZT85-00262	5
23	Bolt - M8×16	U061-00003	1
24	Nut - M8	UZT85-00263	1
25	Bolt - M6×12	UZT85-00264	2
26	Spring washer - 6	U081-00014	2
27	Washer - 6	UG700-00056	2
28	Bolt - M4×10	US270-00205	3
29	Nut - M4	UZT85-00135	3
30	Washer - 4	UZT85-00266	3