

# CAIMAN

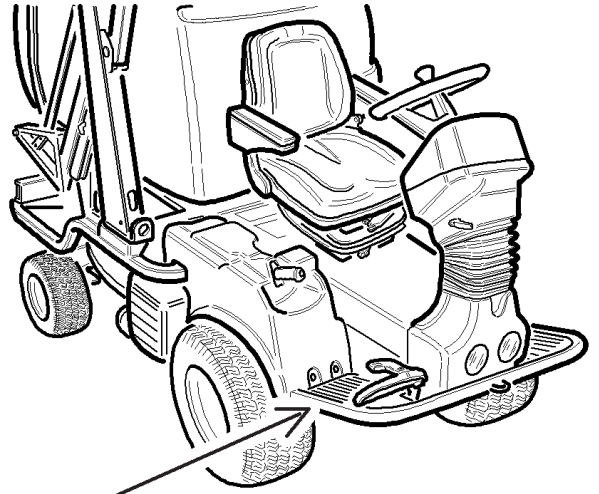
---

## PLATO

2WD / 2WD HD

S/N > 1409004PKWE

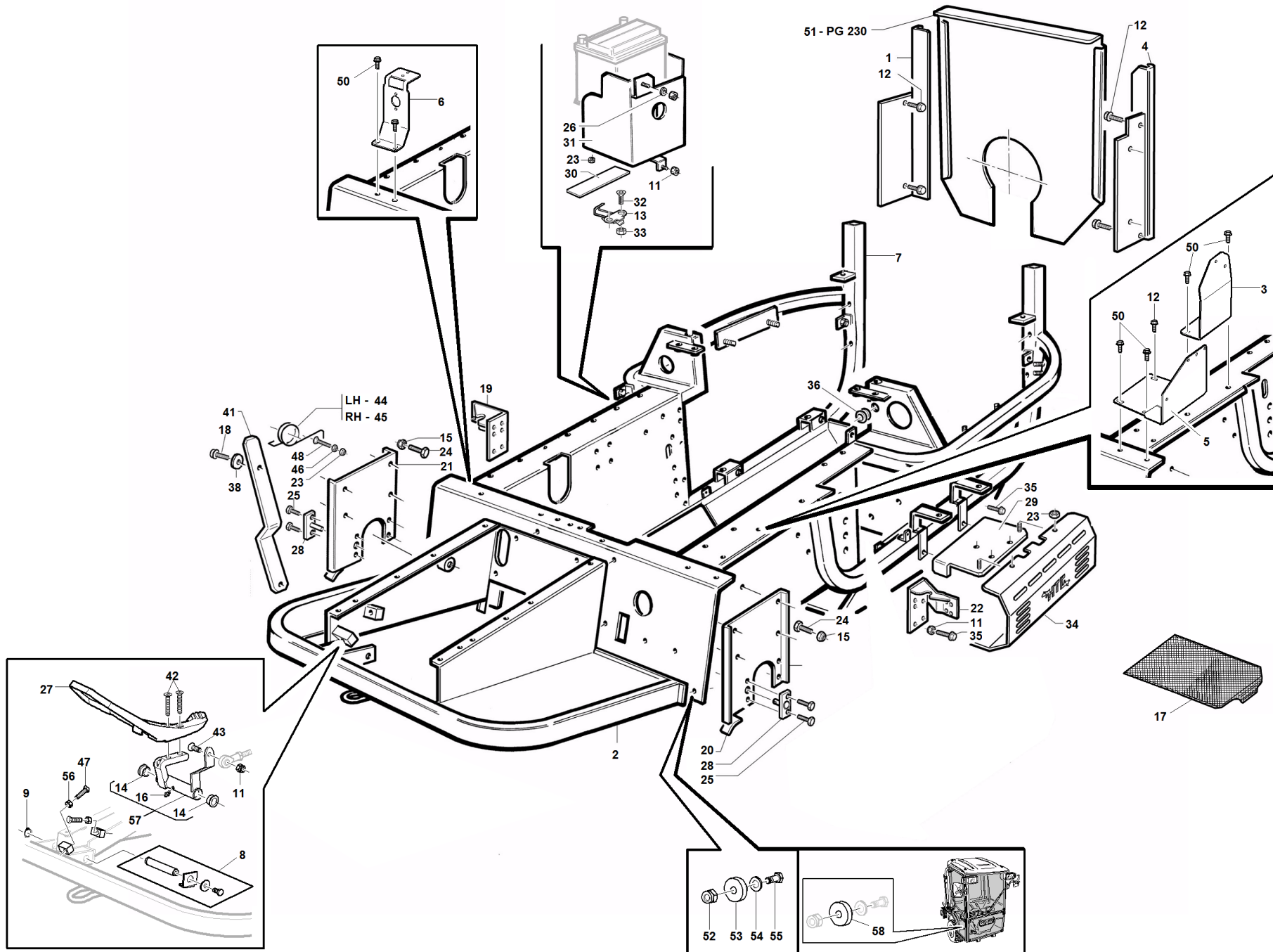




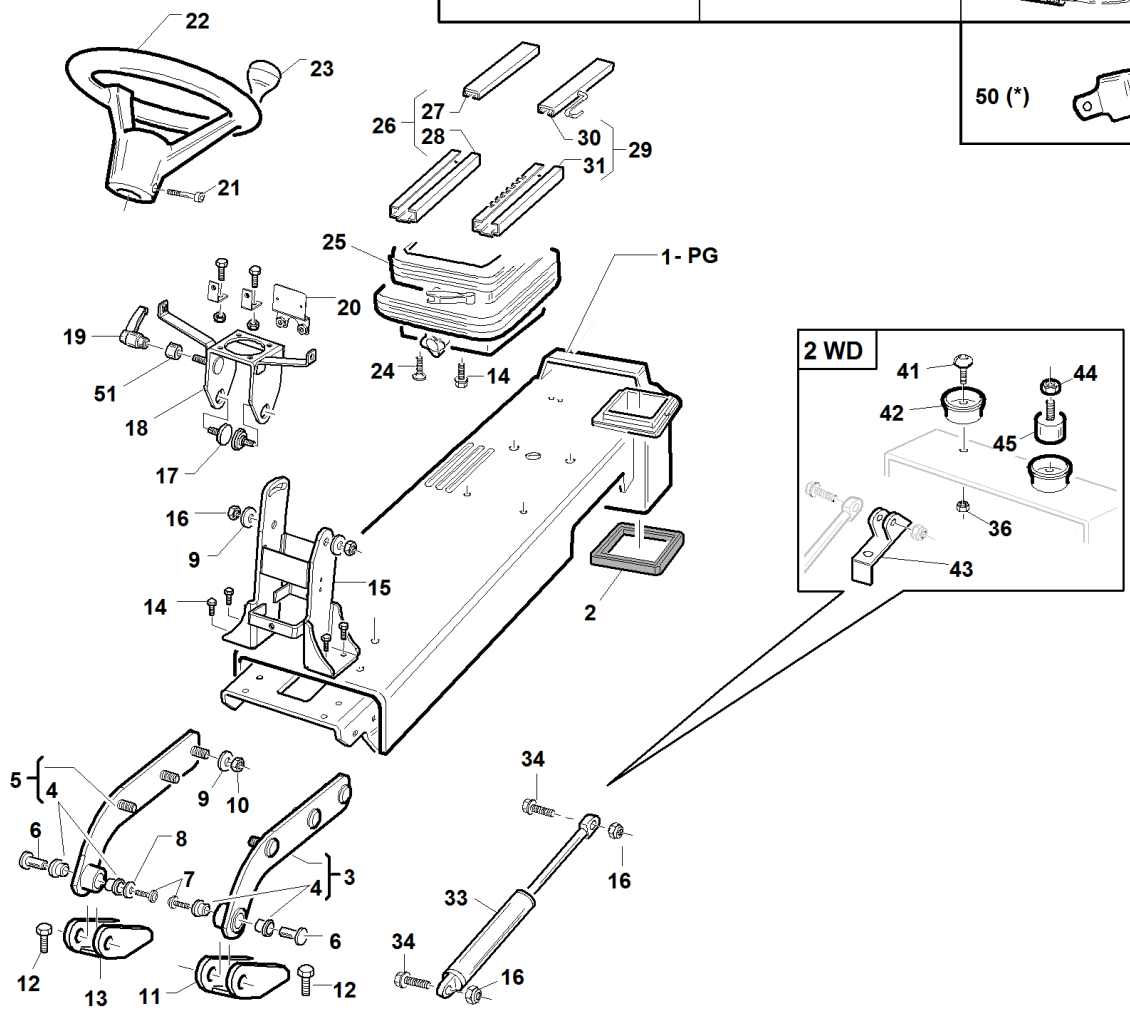
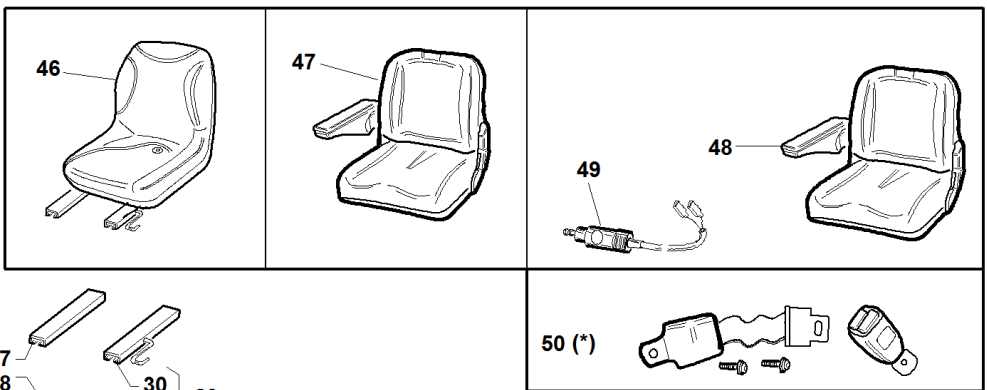
99999999XXX

---

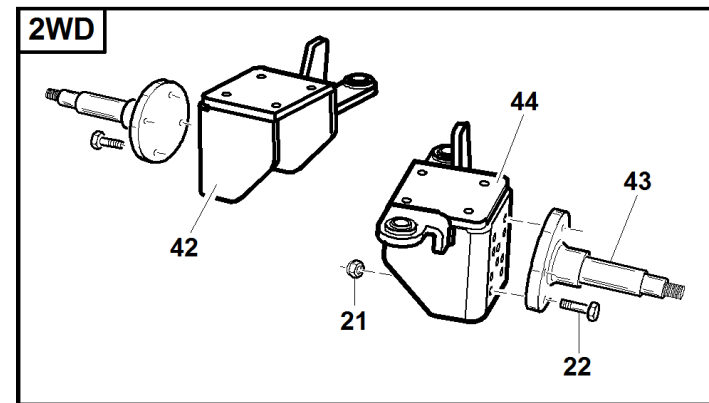
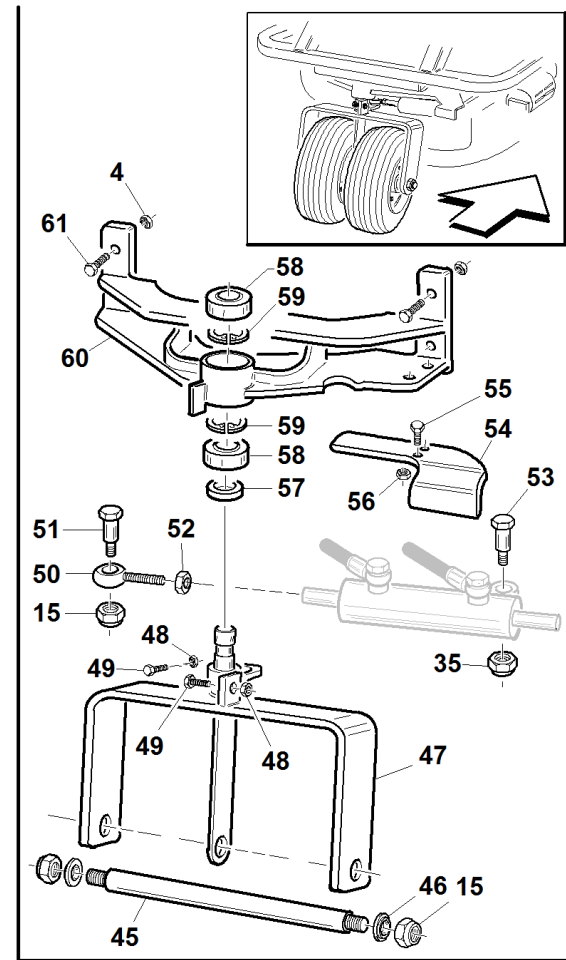
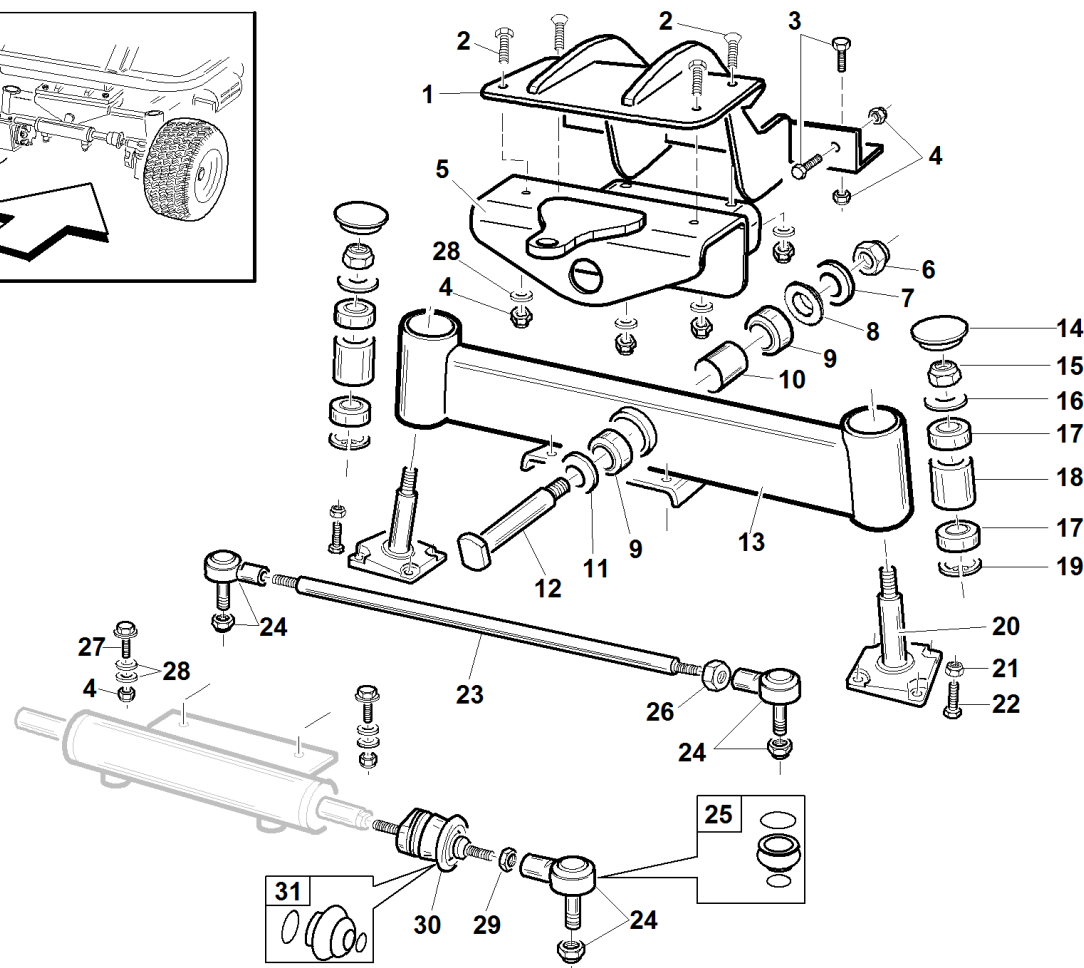
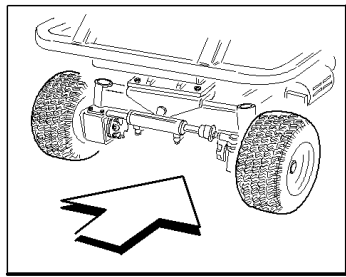




#	P/N	DESCR.
1	PC95049280000	RIGHT COMPL.CHANNEL
2	95400160000	COMPLETE FRONT FRAME
3	95400000014	THROTTLE LEVER SUPPORT
4	PC95049290000	LEFT COMPL.CHANNEL
5	95400000015	VALVE BLOCK SUPPORT
6	95400000016	BATTERY SWITCH SUPPORT
7	95400190000	PG/SR COMPLETE FRAME
8	95597270000	PEDAL PIN KIT
9	00111650004	SNAP RING D.15 E
11	00111000071	SELF LOCKING NUT M8 UNI 7473
12	00111450005	SCREW/W M6X16
13	00111990038	CLOSURE 18-1104
14	95001000060	BRASS BUSHING
15	00111250013	SELF BL.NUT M10
16	00111000036	GREASER M6
17	PV95049000025	COLLECTOR EXTRACTABLE GRID
18	00111450004	SCREW WASHER M8X12
19	95125110000	RIGHT BRACKET
20	95301160001	LEFT GEAR BOX SUPPORT
21	95301170001	RIGHT GEAR BOX SUPPORT
22	95125190000	LEFT BRACKET
23	00111000166	SELF LOCKING NUT M6 UNI 7473
24	00111000076	SCREW TE M10X25
25	00111000103	SCREW TE M10X30
26	00111000061	WASHER 8.4X24X2
27	95533000003	ACCELERATOR PEDAL
28	95301150000	LIFTING ARMS SUPPORT
29	95303250000	VALVE SUPPORT
30	95049000027	AIR STOP 20X5 301F L = 40 mm
31	PC95049260000	BATTERY HOLDER
32	00111350019	SCREW TSPEI M4X14
33	00111250006	SELF BL. NUT M4
34	95303000059	VALVE PROTECTION
35	00111450001	SCREW WASHER M8X25
36	00111970010	RUBBER EDGE 14X18X23
38	00111000087	WASHER P.8,4X15.6X1,5
41	95303000024	PLATE ARMS FOR MOWER DECK OVERTURNING
42	00111350038	HEAD SOCKET COUNTERSUNK HEAD M8X35 SCREW
43	00111350022	SCREW TSPEI M8X30 ZNT
44	95303000062	LEFT LAWNMOWER OVERTURNING SPRING
45	95303000061	RIGHT LAWNMOWER OVERTURNING SPRING
46	00111000155	NUT M6
47	00111000033	SCREW TE M8X30
48	00111350030	SCREW TSPEI M6X25
50	00111450003	SCREW WASHER M8X20
51	95332000004	ENGINE BUMPER
52	00111250004	SELF LOCKING NUT M10 UNI 7473
53	00111970247	SCB ANTI VIBRATION MOUNTING
54	00111000070	WASHER P. 11X30X2.5 ZNT
55	00111300043	SCREW TE UNI 5737 M10x45 8.8
56	00111150003	NUT M8
57	95301320000	PEDAL SUPPORT
58	95187000005	SPACER FOR PG 4WD CABIN



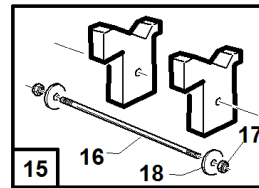
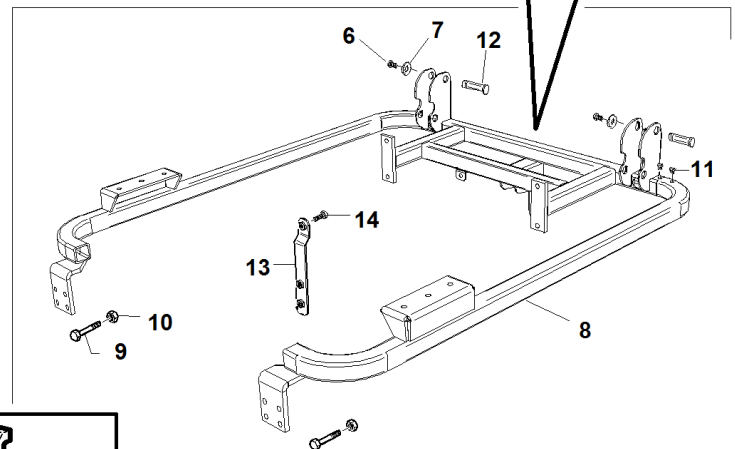
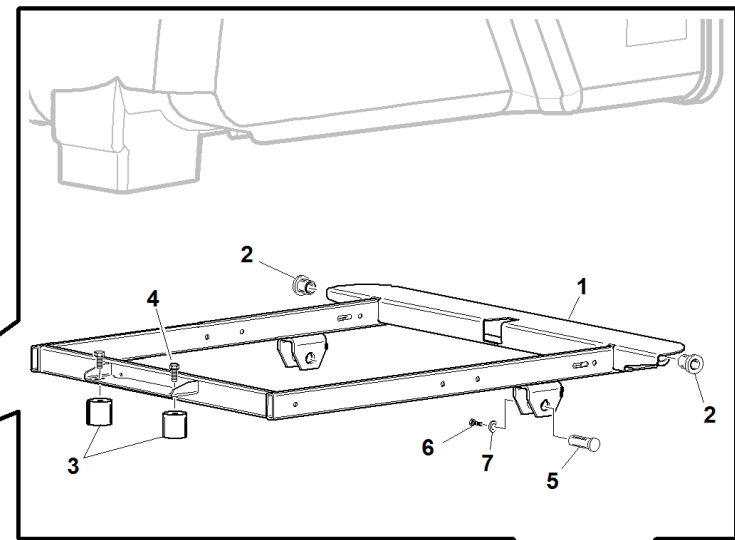
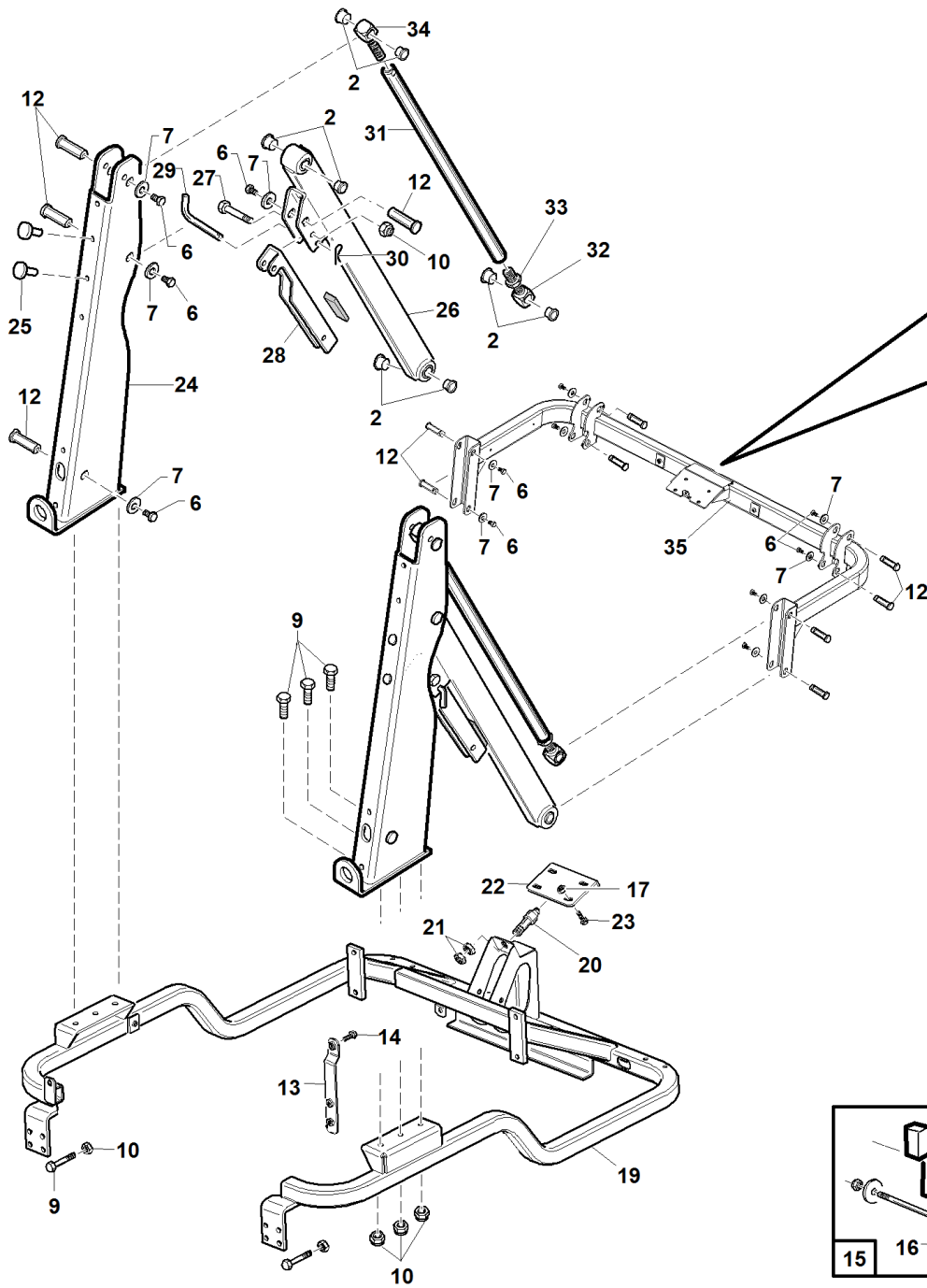
#	P/N	DESCR.
1	95401100000	
2	95030300002	BAND L=540
3	95301270000	ASSEMBLD LEFT HOOD SUPPORT
4	00111530003	BUSHING TFF 14X16 L=9
5	95301260000	ASSEMBLD RIGHT HOOD SUPPORT
6	94500000007	HOPPER FIXING PIN
7	00111450014	SCREW FR M6X12
8	00111000037	WASHER 6.6X18X2
9	00111000061	WASHER 8.4X24X2
10	00111000095	SELF BLO. NUT M8
11	95301000009	HINGE HOOD LEFT FORK
12	00111000059	FAKE SCREW/WASH. M8X14
13	95301000010	HINGE HOOD RIGHT FORK
14	00111450003	SCREW WASHER M8X20
15	95400100000	STEERING COLUMN
16	00111000071	SELF LOCKING NUT M8 UNI 7473
17	91001000021	STEERING REGULATION PIN
18	91001210000	POWER-STEERING SUPPORT
19	00111970195	HANDLE M10
20	91001300000	WARNING HORN BRACKET
21	00111400015	ALLEN SCREW M6X40
22	00111970209	STEERING WHEEL W/BUSHING Ø 18
23	00111970217	STEERING WHEEL KNOB
24	00111000186	SCREW TSPEI M8X20
25	00777850040	SPRING SEAT +LOWER SLIDES
26	00777850005	SEAT RIGHT GUIDE PAIR
27	00777850010	UPPER RIGHT GUIDE
28	00777850003	LOWER RIGHT GUIDE
29	00777850023	SEAT LEFT GUIDE PAIR
30	00777850022	UPPER LEFT GUIDE WITH LEVER
31	00777850004	LOWER LEFT GUIDE
33	00111990106	360N GAS SPRING
34	00111450002	SCREW WASHER M8X30
35	95303000074	SPRING SUPPORT
36	00111000166	SELF LOCKING NUT M6 UNI 7473
37	95303000078	HOOD SUPPORT
38	00111970038	VIBRATION-DAMPING STOPPER M10 F
39	00111300028	SCREW TE M10X12
40	00111000070	WASHER P. 11X30X2.5 ZNT
41	00111450012	SCREW FR M 6X20
42	95301000001	CENTRING DUMPER MEMBER
43	95200000004	GAS SPRING SUPPORT BRACKET
44	00111150002	NUT M10 UNI 5588
45	00111970005	VIBRATION-DAMPING STOPPER M10
46	00777850041	PG SEAT
47	00777850016	PG CONFORT SEAT
48	00777850044	
49	00777800110	COMPLETE PIN
50	00777850019	BELT ROLLING UP
51	91001000019	SPACER





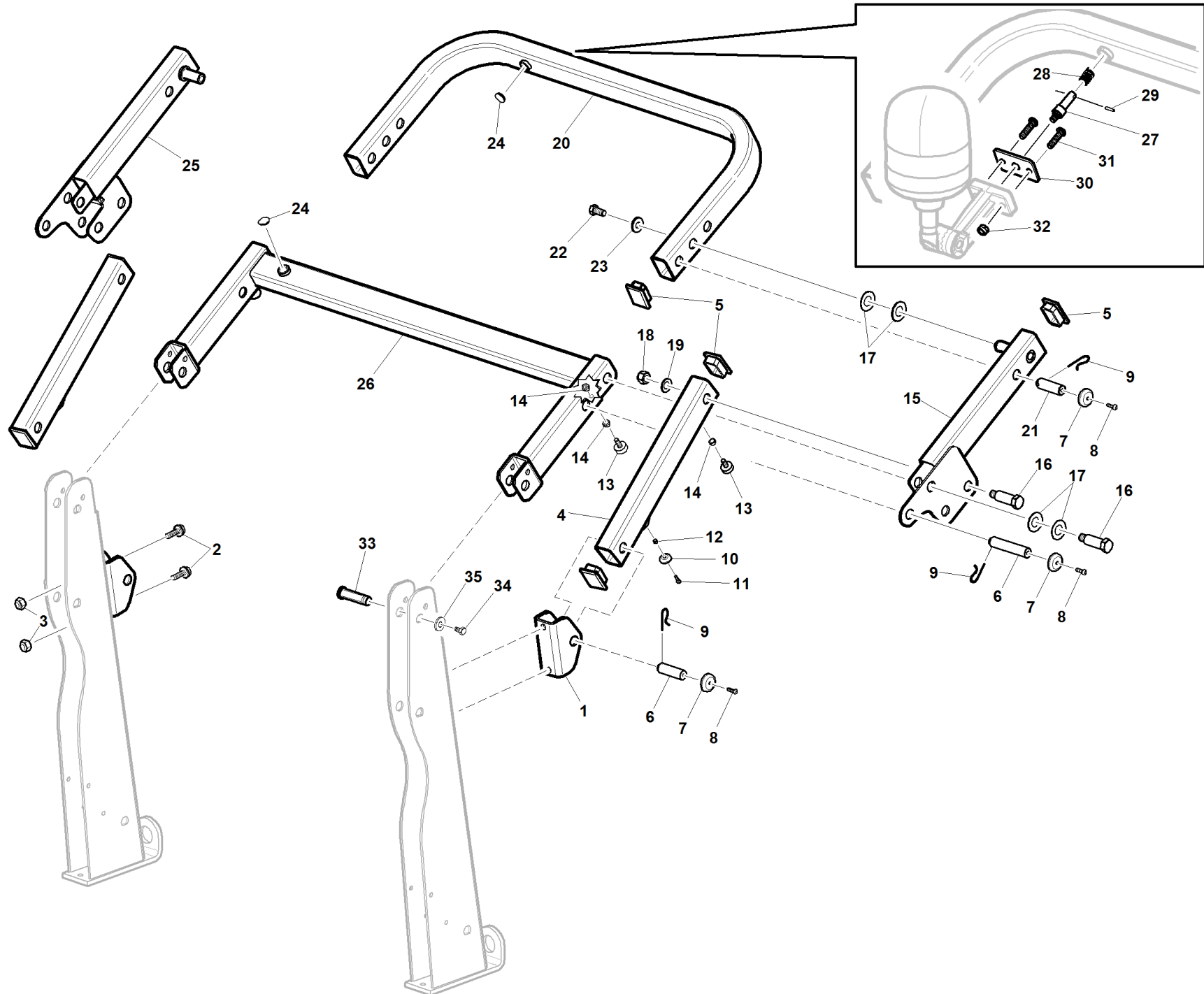
#	P/N	DESCR.
1	95409150000	REAR AXLE FIXING SUPPORT
2	00111350005	SCREW TSPEI M10X30
3	00111000103	SCREW TE M10X30
4	00111250013	SELF BL.NUT M10
5	95409140000	COMPLETE AXLE SUPPORT
6	00111250007	SELF BL. NUT M20X1.5
7	95303110003	SPACER D20.5X D35X3
8	91003100002	SPACER
9	00777100053	BEARING 61906 30X47X9
10	95303110006	SPACER Ø31XØ36X72
11	91003100001	SPACER 30.3X3X10
12	95303110002	AXLE PIN
13	95301200000	REAR COMPLETE AXLE
14	94500000087	INSIDE BEARING PROTECTION
15	00111250011	SELF BL. NUT M14x1,5
16	95303110004	SPACER D14.5XD35X3
17	00777100012	BEARING 6006 2RS 30X55X13
18	95303110005	SPACER D31 XD36 X45
19	00111650003	SNAP RING D.55 I
20	95303110007	STEERING PIN
21	00111250025	NUT METB 8MA
22	00111300052	SCREW TE UNI 5739
23	95303000011	TIE ROD STEERING
24	00777200023	STEERING ARTICULATION M12X1.25
25	95598240000	STEER. ARTICUL. GUARD KIT (00777200023)
26	00111500027	NUT M12X1.25
27	00111300084	SCREW TE M10X35
28	00111550005	WASHER M10
29	00111150024	NUT M12X1.25 - 6S
30	00777200024	AXLE ARTICULATION M14X1.5
31	95597260000	AXIAL JOINT GUARD KIT (00777200024)
32	95409160000	LEFT ORBITAL SUPPORT
33	95409200000	REAR WHEEL MOTOR PROTECTION
34	00111450001	SCREW WASHER M8X25
35	00111250008	SELF LOCKING NUT M12 UNI 7473
36	95409170000	RIGHT ORBITAL SUPPORT
37	00111000105	WASHER P.13X24X2,5 UNI 6592
38	00111000042	SCREW
39	95303000014	WHEEL SUPPORT
40	95598840000	HRS HYDRAULIC MOTOR NUT-KEY KIT
41	00111750007	SPLIT PIN
42	95311161000	LEFT WHEEL SHAFT SUPPORT
43	95311160001	WHEEL SHAFT 2WD
44	95311161100	RIGHT REAR WHEEL SHAFT SUPPORT
45	95325000001	WHEEL SHAFT
46	95500000075	REAR WHEEL SPACER
47	95598130000	DOUBLE WHEEL FORK KIT
48	00111000082	NUT M8
49	00111000033	SCREW TE M8X30
50	00777200016	BIG END OF THE CONNECTING ROD TM14
51	95097000008	SHAFT TYE-ROD STEERING
52	95096000001	NUT M14 Ch 19
53	95060000001	FIXING SCREW CYLINDER
54	95325000002	STEERING CYLINDER PROTECTION
55	00111450002	SCREW WASHER M8X30

#	P/N	DESCR.
56	00111000071	SELF LOCKING NUT M8 UNI 7473
57	95325000004	SPACER 25.5X40X6
58	00777100001	BEARING 6205 2RS
59	00111650037	SNAP RING E X Ø25 UNI 7435
60	95325100000	WHEEL FORK SUPPORT
61	00111300029	SCREW TE M10X55

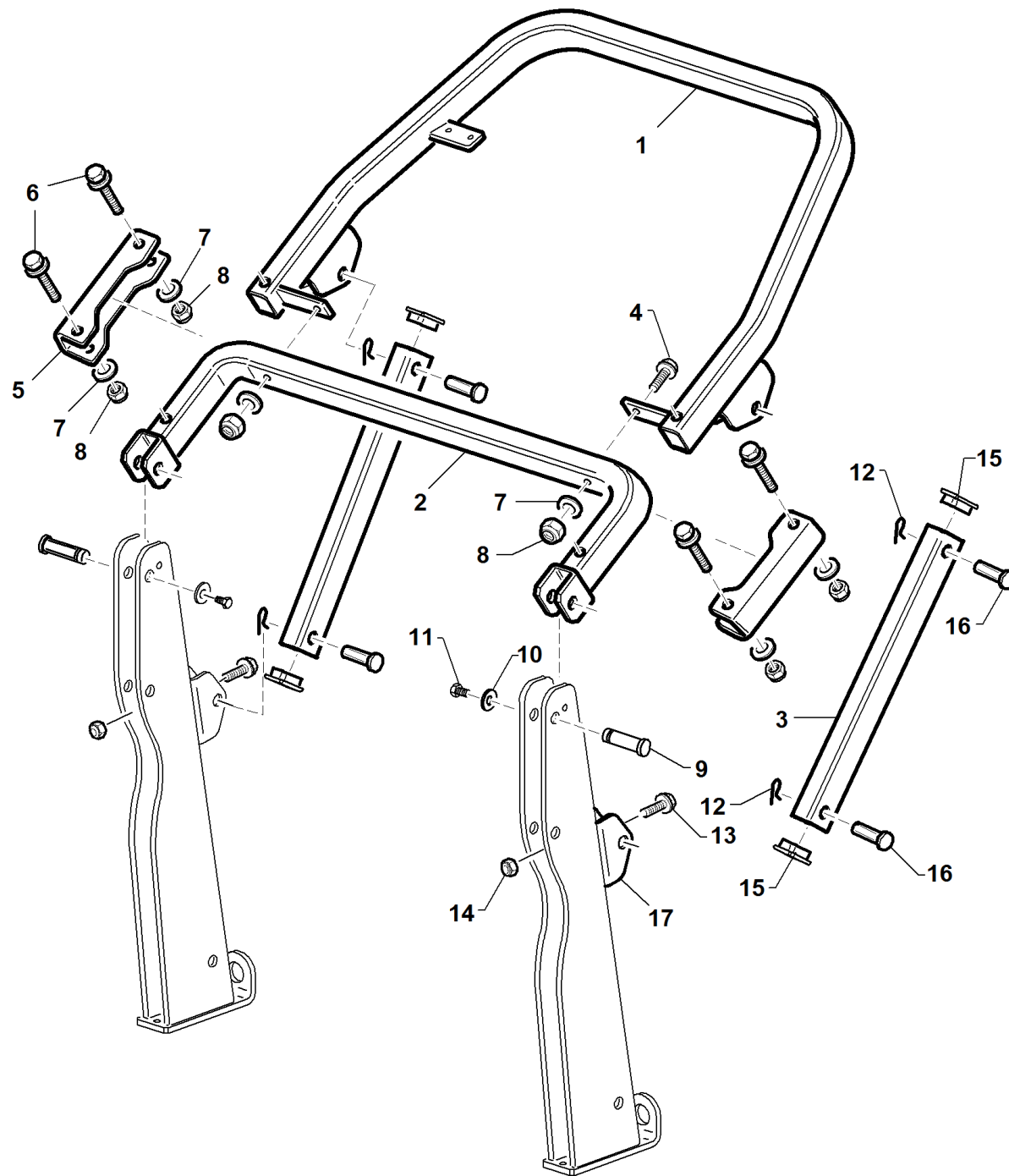




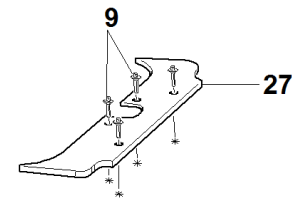
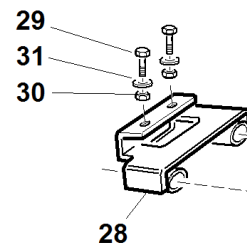
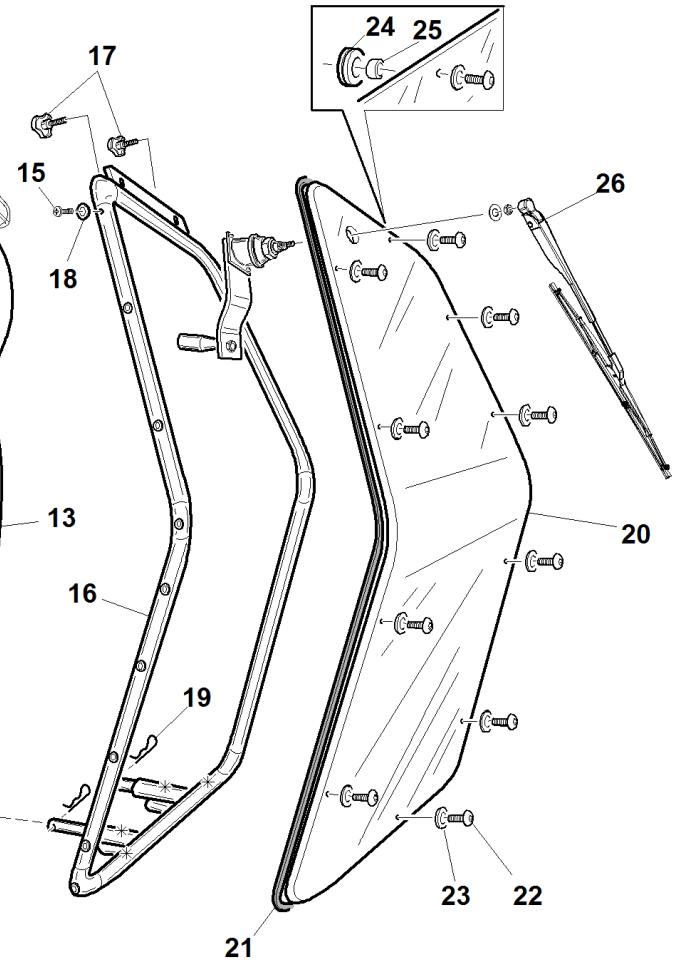
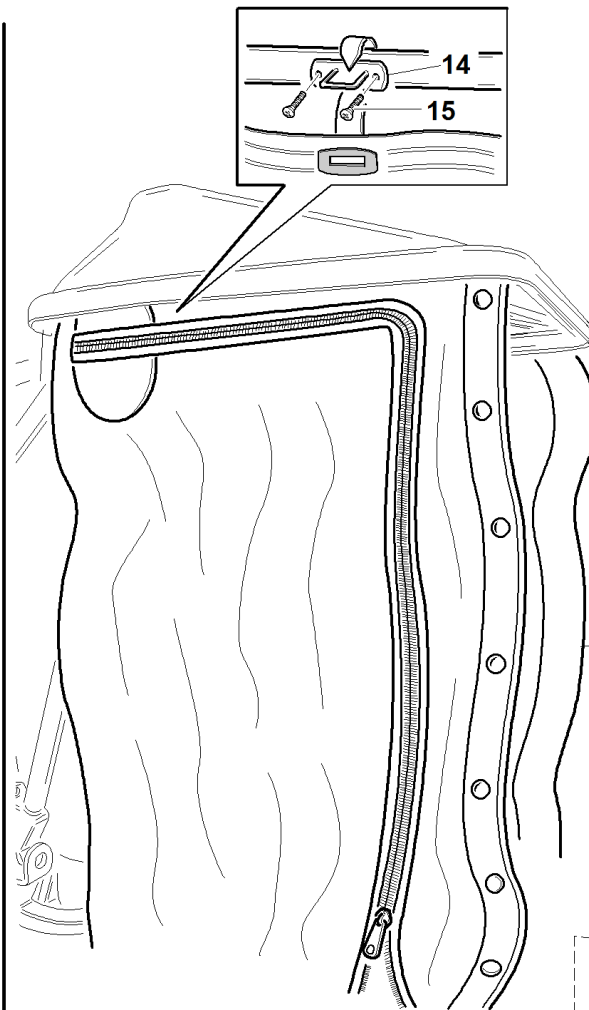
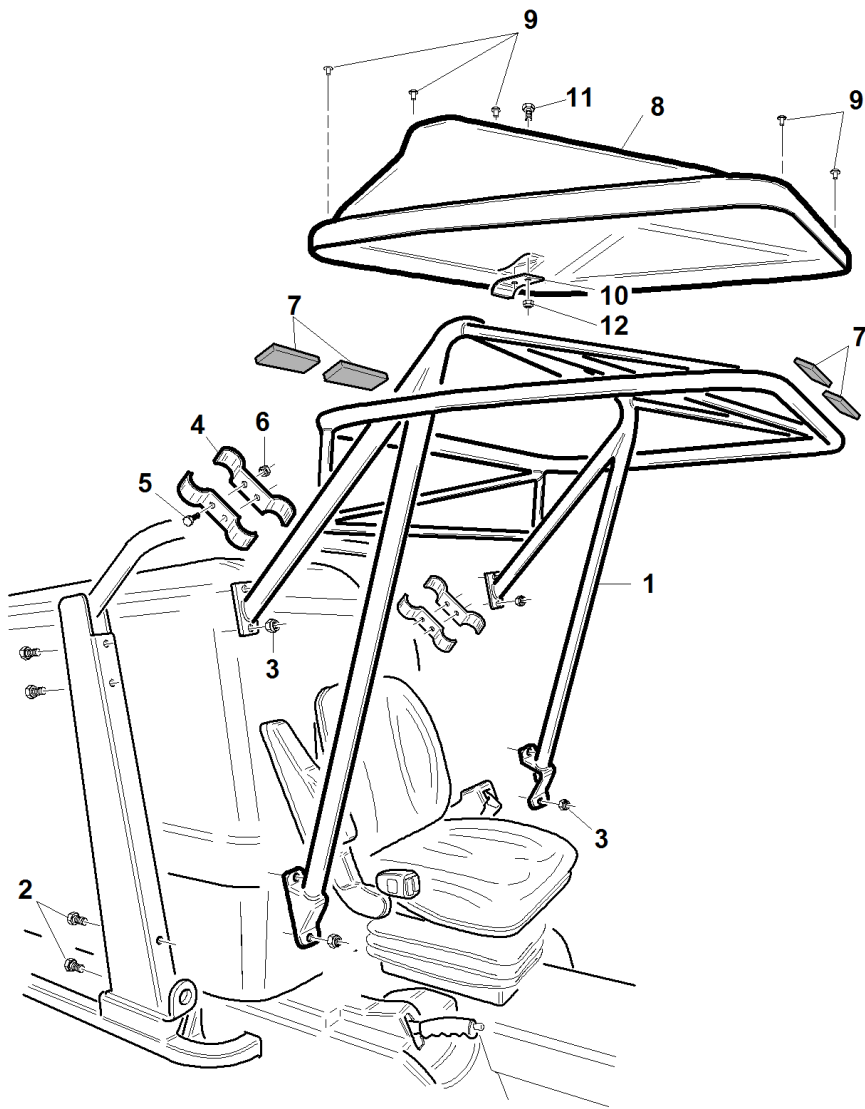
#	P/N	DESCR.
1	95401120000	
2	00111990017	BUSHING WITH EDGE TFF 20/16,5
3	00111180001	VIBRATION-DAMPING STOPPER
4	00111450003	SCREW WASHER M8X20
5	91007000003	OVERTURNING PIN L=48
6	00111000081	HEXAGON SCREW M8x16 UNI 5739
7	00111000061	WASHER 8.4X24X2
8	95414100000	BLACK TUNNEL BOARD VRN
9	00111300018	HEXAGON SCREW M10x35 UNI 5739
10	00111250004	SELF LOCKING NUT M10 UNI 7473
11	00111970168	CLOSER PLUG
12	94010000060	CYLINDER FIXING PIN
13	95409130000	HOSES COLLAR FIXING BRACKET
14	00111450004	SCREW WASHER M8X12
15	95238000000	PG/SR COUNTERWEIGHTS KIT
16	95153000002	BALLAST BAR L=420
17	00111000071	SELF LOCKING NUT M8 UNI 7473
18	00111000132	WASHER P. 8,4X32X2,5 ZNT
19	95411100000	HIGH-DUMPING SUPPORT FRAME
20	94500000062	LOCKING HOPPER PIN
21	00111150005	NUT M16X1.5
22	94500000072	CENTRING HOPPER PLATE
23	00111450024	SCREW M8 X 20
24	95305110000	HIGH DUMP COLUMN
25	00111970169	CLOSER PLUG D. 10.5
26	95305100000	COMPLETE LIFTING ARM
27	00111300049	SCREW TE UNI 5737
28	95125000008	SECURITY CAP
29	95125000009	PIN
30	00111750004	""BETA DECO"" SPLIT PIN"
31	95305000003	HIGH DUMP TIE ROD
32	94013000015	BUSHING M20X1.5
33	00111150011	NUT 5589 M20X1.5
34	94017000003	BUSHING M20X1.5 LEFT
35	95411110000	COMPLETE SLIGHT CABIN TUBULAR VRN



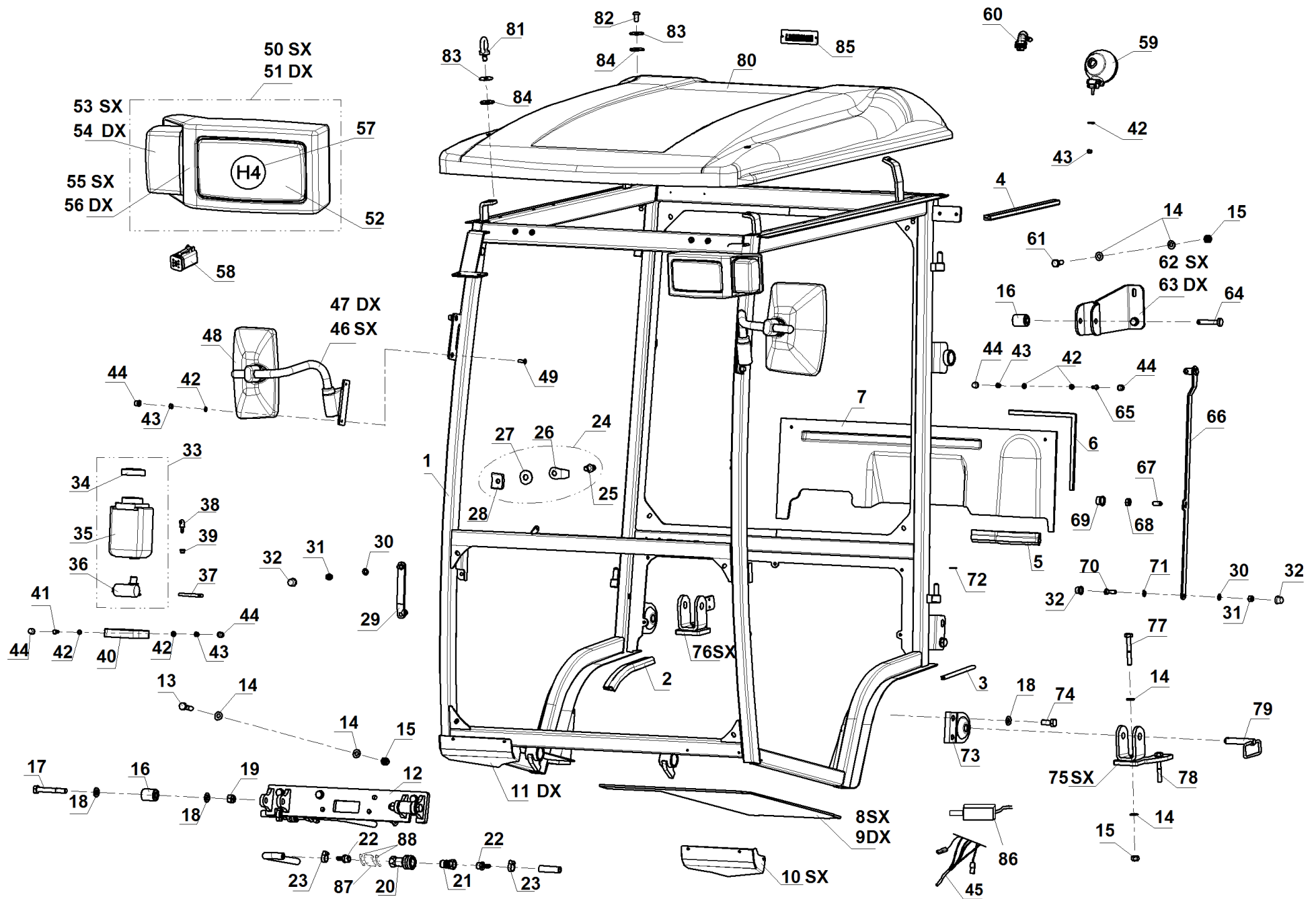
#	P/N	DESCR.
1	95227100004	ROPS TUBULAR SUPPORT PLATE
2	00111450007	FALS SCREW R.M10X25
3	00111250004	SELF LOCKING NUT M10 UNI 7473
4	95197101000	ROPS TUBULAR SUPPORT
5	00111970212	RETTANGULAR PLASTIC CAP
6	95197000002	ROPS PIN
7	00111990160	MAGNET Ø36
8	00111450012	SCREW FR M 6X20
9	00111750008	SPRING COTTER
10	00111990161	MAGNET Ø25
11	00111350011	SCREW TSPEI M5X20
12	00111000183	SELF BL. NUT M5
13	00111970235	RUBBER BUFFER Ø25
14	00111000082	NUT M8
15	95197101300	RH ROPS INTERMEDIATE SUPPORT
16	95197000001	ROPS FIXING PIN
17	00111050011	SPRING WASHER 20,4X40X1,5
18	00111250005	SELF BL. NUT M14
19	00111500004	WASHER 15,2X28X2.5 UNI 6592TE
20	95197101400	
21	95197000003	ROPS PIN
22	00111300124	HEXAGON SCREW M12X25
23	00111500028	WASHER P 13X30X4
24	00111970273	ROUND PLUG Ø21
25	95197101200	LH ROPS INTERMEDIATE SUPPORT
26	95197101100	ROPS SUPPORT
27	95248000004	FLASHING BEACON SUPPORT PIN
28	95248000005	FLASHING BEACON SUPPORT SPRING
29	00111700008	PIN ELASTIC D.3X16
30	95248000003	FLASHING BEACON SUPPORT BRACKET
31	00111450015	SCREW M8x30
32	00111000095	SELF BLO. NUT M8
33	94010000060	CYLINDER FIXING PIN
34	00111000081	HEXAGON SCREW M8x16 UNI 5739
35	00111000061	WASHER 8.4X24X2



#	P/N	DESCR.
1	95227120000	ROPS UPPER ARC
2	95227130000	ROPS TUBULAR SUPPORT
3	95227140000	ROPS SUPPORT TUBULAR
4	00111300010	SCREW TE M12X70
5	95227000003	COMPLETE ACCELERATOR STARTING DEVICE SUPPORT
6	00111300104	HEXAGON M12X100 SCREW
7	00111000105	WASHER P.13X24X2,5 UNI 6592
8	00111250008	SELF LOCKING NUT M12 UNI 7473
9	94010000060	CYLINDER FIXING PIN
10	00111000061	WASHER 8.4X24X2
11	00111000081	HEXAGON SCREW M8x16 UNI 5739
12	00111750008	SPRING COTTER
13	00111450007	FALS SCREW R.M10X25
14	00111250004	SELF LOCKING NUT M10 UNI 7473
15	00111970212	RETTANGULAR PLASTIC CAP
16	95227000002	PIN Ø20X66
17	95227100004	ROPS TUBULAR SUPPORT PLATE



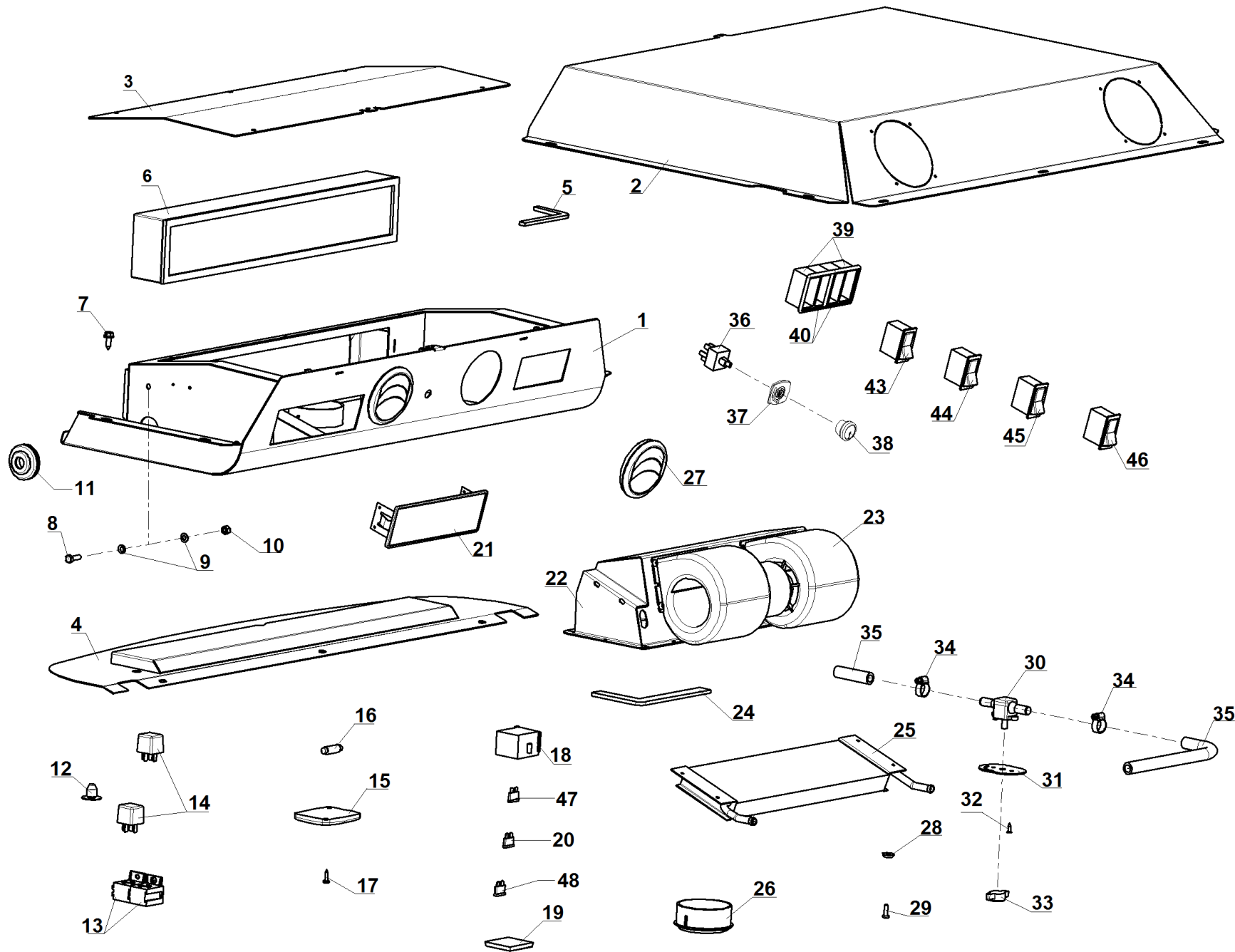
#	P/N	DESCR.
1	95164100000	ROPS FRAME COMPL.
2	00111450007	FALS SCREW R.M10X25
3	00111250004	SELF LOCKING NUT M10 UNI 7473
4	95164000004	ROLLBAR SUPPORT PLATE
5	00111000063	SCREW ALLEN M8X16
6	00111000095	SELF BLO. NUT M8
7	95164000003	AIR STOP 50 X 3 L=60
8	95164000001	ROPS PLASTIC COVER
9	00111800004	RIVET D.4.8X16X20
10	95164000002	ROPS REINFORCEMENT SHEET
11	00111000145	SCREW TE M8 X 35
12	00111000071	SELF LOCKING NUT M8 UNI 7473
13	95241100003	
14	95241100001	
15	00111370008	CROSS RECESSED COUNTERSUNK HEAD TAPPING
16	95241200000	
17	00111970133	KNOB M6X20
18	95241100002	
19	00111000175	""R"" SPLIT PIN D.4 UNI 8833"
20	95241000001	
21	00555300005	AIR STOP 20X5 301F
22	00111450016	SCREW M6x25
23	00111000037	WASHER 6.6X18X2
24	00111970066	CABLE HOLDER D.I.9
25	95241000002	
26	00111990147	
27	95241000003	
28	95167120000	TANK FRAME SUPPORT
29	00111350034	SCREW M10X65
30	00111000015	WASHER D.10,5X21X2
31	00111000080	SELF LOCKING NUT M10 UNI 7474



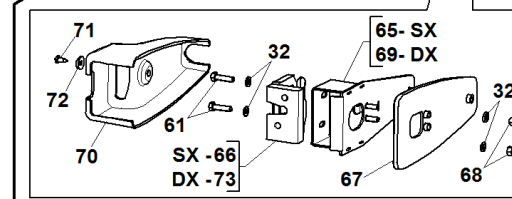
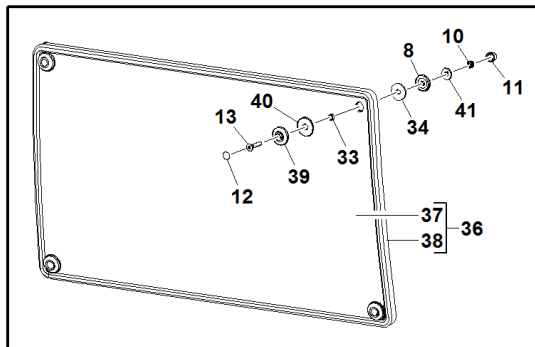
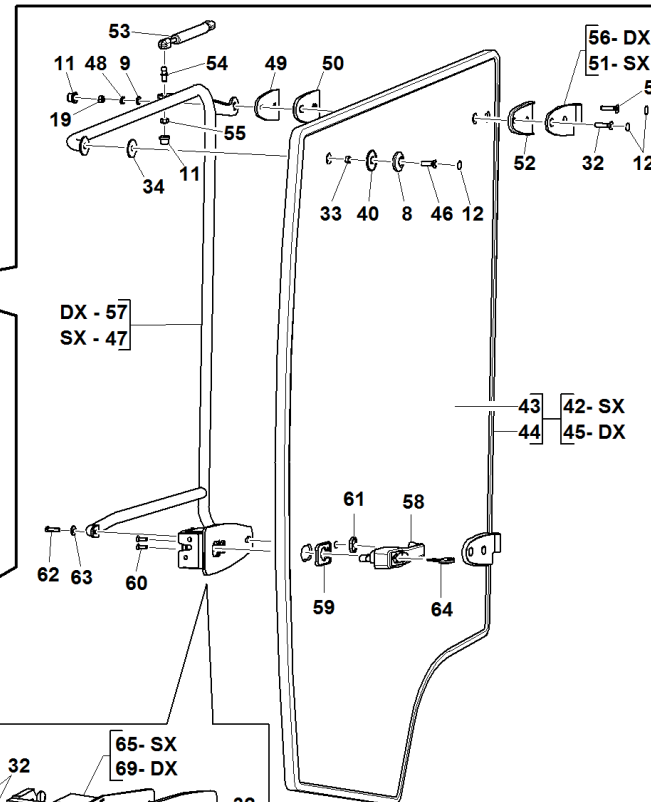
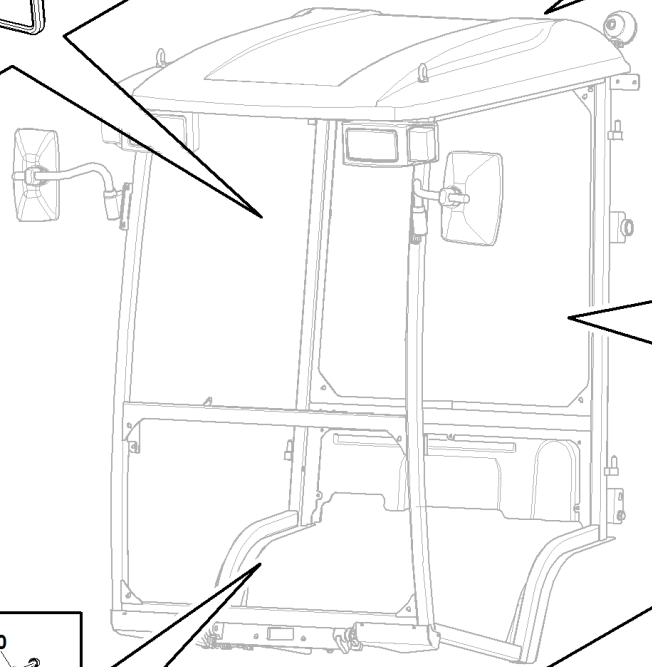
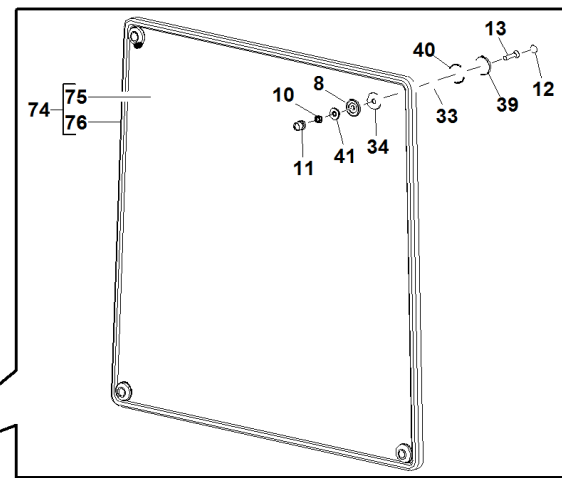
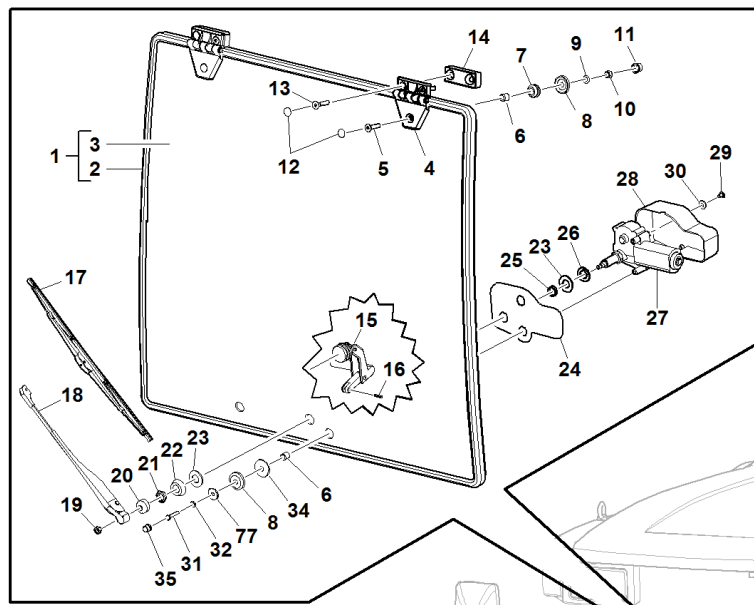


#	P/N	DESCR.
1	95187100008	FRAME
2	95187100009	
3	95187100010	
4	95187100011	
5	95187100012	
6	95187100106	
7	95187100014	
8	95187100015	
9	95187100016	
10	95187100017	
11	95187100018	
12	95187100019	FRONT CABIN SUPPORT
13	00111300043	SCREW TE UNI 5737 M10x45 8.8
14	00111500032	WASHER 10,5X25X2
15	00111250023	SELF LOCKING NUT M10X1.25 UNI 7473
16	95187100021	DUMPER
17	00111300094	HEX SOCKET HEAD CAP M12X85 SCREW
18	00111000105	WASHER P.13X24X2,5 UNI 6592
19	00111250008	SELF LOCKING NUT M12 UNI 7473
20	95187100023	FEMALE HEATING SYSTEM QUICK COUPLING
21	95187100024	MALE HEATING SYSTEM QUICK COUPLING
22	95187100025	HEATING SYSTEM PIPE FITTING
23	00111810008	CLAMP 12-20 TYPE NORMA
24	95187100026	
25	95187100027	
26	95187100028	
27	00111500031	WASHER P. 14X36X3
28	95187100030	
29	95187100031	DOOR SPACER
30	00111550009	ELASTIC WASHER M8 UNI 1751
31	00111250014	SELF BL. NUT M8
32	95187100033	PLASTIC CAP M8
33	95187100034	
34	95187100035	
35	95187100036	
36	95187100037	
37	95187100038	
38	95187100039	
39	95187100040	
40	95187100041	
41	00111300096	
42	00111500009	WASHER 6.4X12.5X1.6
43	00111000166	SELF LOCKING NUT M6 UNI 7473
44	95187100042	
45	95187100020	
46	95187100004	LEFT CABIN REARVIEW MIRROR ROAD
47	95187100003	RIGHT CABIN REARVIEW MIRROR ROAD
48	95187100005	CABIN REAEVIEW MIRROR CUP
49	00111350006	
50	00777803200	CABIN LEFT FRONT LIGHT
51	00777803000	CABIN RIGHT FRONT LIGHT
52	00777802900	ASYMMETRIC CABIN PROJECTOR
53	00777800207	LEFT DIRECTION LIGHT GLASS
54	00777800208	RIGHT DIRECTION LIGHT GLASS
55	00777800224	

#	P/N	DESCR.
56	00777800215	
57	00777800206	LAMP 12V 60/55W
58	95187100043	
59	95187100044	
60	00777800209	CABIN WORK LAMP
61	00111300044	SCREW TE UNI 5739
62	95187100045	LH REAR UPPER SUPPORT
63	95187100046	RH REAR UPPER SUPPORT
64	95187100148	SUPPORT SAFETY PIN
65	00111000171	
66	95187100047	
67	95187100048	
68	00111000080	SELF LOCKING NUT M10 UNI 7474
69	95187100049	
70	00111300064	SCREW M8X25
71	00111500006	WASHER D.8 NYLON
72	95187100050	
73	95187100051	SILENTBLOCK
74	00111300009	SCREW TE M12X30
75	95187100052	LH REAR SUPPORT
76	95187100053	RH REAR SUPPORT
77	00111300085	HEXAGON M16X60 SCREW
78	00111300068	HEX SOCKET HEAD CAP M10X70 SCREW
79	95187100055	STANDARD SILENTBLOCK PIN
80	95187100054	ROOF PANEL
81	95187100032	RADIATOR RIGHT BACKWARD SUPPORT VRN
82	00111350020	SCREW TBEI M10X20
83	95187100063	RUBBER WASHER 36X10X3
84	00111500003	WASHER 12X36X3
85	95187100022	
86	95187000002	WIRED CABIN CLOSED MICRO
87	00777600171	LITTELE COLUMN 3/8
88	00777600003	WASHER COPPER 3/8

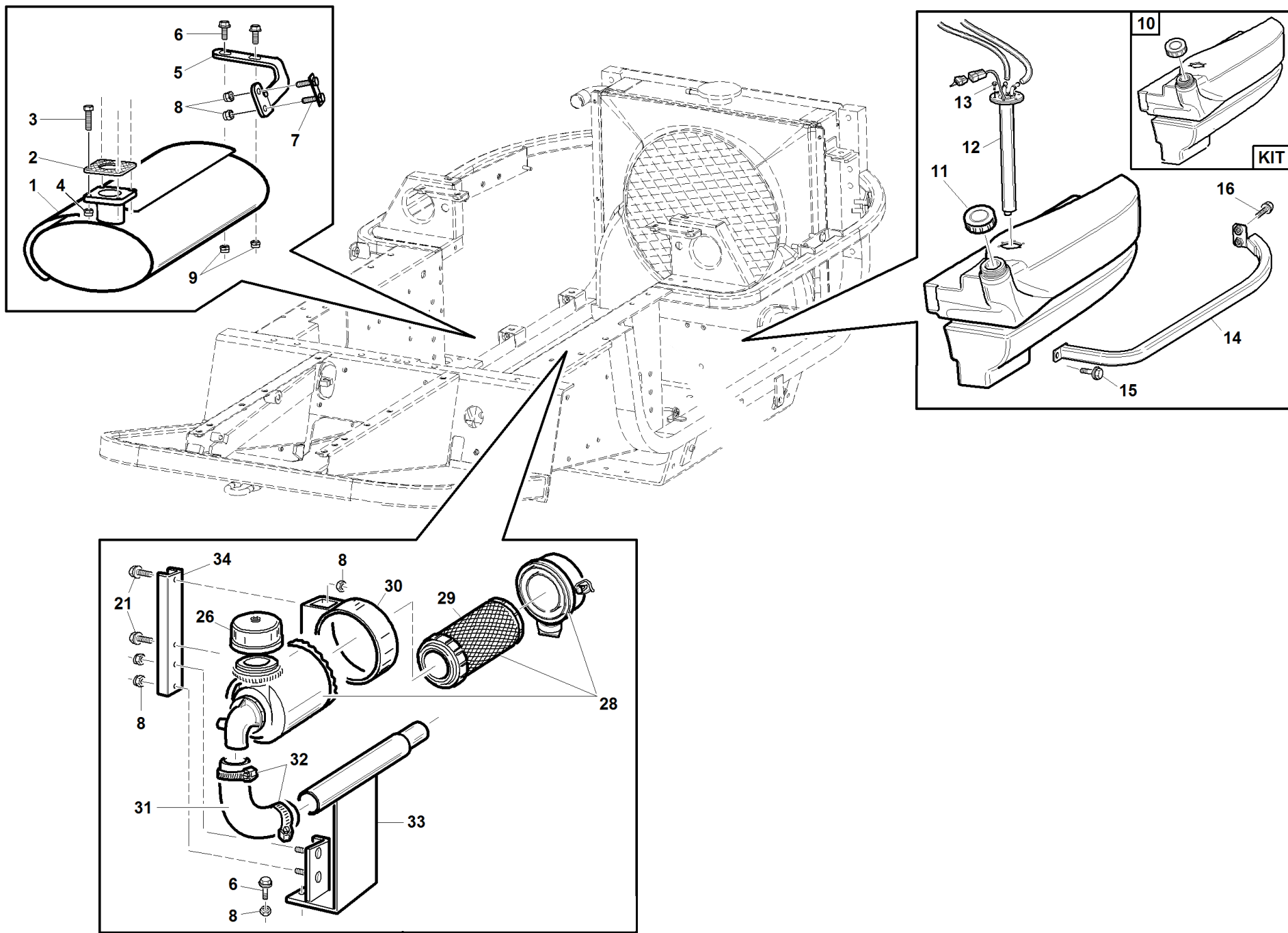


#	P/N	DESCR.
1	95187100102	
2	95187100103	
3	95187100104	
4	95187100105	
5	95187100106	
6	95187100107	DUST FILTER
7	95187100108	
8	00111000171	
9	00111500009	WASHER 6.4X12.5X1.6
10	00111000166	SELF LOCKING NUT M6 UNI 7473
11	95187100109	
12	95187100110	
13	95187100111	
14	95187100112	
15	95187100113	
16	95187100114	
17	95187100115	
18	95187100116	
19	95187100117	
20	00777800079	BLADE FUSE 10A
21	95187100118	RADIO COVER HOLE
22	95187100119	
23	95187100120	
24	95187100121	
25	95187100122	
26	95187100123	
27	95187100124	
28	95187100125	
29	95187100126	
30	95187100127	
31	95187100128	
32	95187100129	
33	95187100130	
34	00111810008	CLAMP 12-20 TYPE NORMA
35	95187100131	WATER SPACE HEATERS PIPE L=2650MM
36	95187100132	
37	95187100133	
38	95187100134	
39	95187100135	
40	95187100136	
43	95187100139	
44	95187100140	
45	95187100141	
46	95187100029	
47	00777800080	BLADE FUSE 15A
48	00777800126	BLADE FUSE 20A



#	P/N	DESCR.
1	95187100146	FRONT GLASS WITH GASKET
2	95187100142	
3	95187100079	FRONT WINDOW SLH22
4	95187100067	
5	00111350038	HEAD SOCKET COUNTERSUNK HEAD M8X35 SCREW
6	95187100062	
7	95187100068	
8	95187100064	PLASTIC WASHER
9	00111000087	WASHER P.8,4X15.6X1,5
10	00111550009	ELASTIC WASHER M8 UNI 1751
11	95187100033	PLASTIC CAP M8
12	95187100069	BLACK PLASTIC CAP FOR SCREW
13	00111000111	SCREW TSPEI M8X40
14	95187100066	
15	95187100070	FRONT WINDOW HANDLE
16	00111000146	PIN ELASTIC D.5X16
17	95187100065	WIPER BLADE 410MM
18	95187100060	WIPER ARM CONICAL C10XM8
19	00111000082	NUT M8
20	95187100059	
21	00111500021	WASHER 20X28X1,5
22	95187100058	
23	95187100056	
24	95187100144	
25	95187100057	
26	00111500002	WASHER 16,5X48X3
27	95187100145	
28	95187100061	
29	00111450010	SCREW/W M6X10
30	95187100147	
31	00111300039	SCREW TE M6X30
32	00111500009	WASHER 6.4X12.5X1.6
33	95187100077	NYLON SEAL WASHER
34	95187100063	RUBBER WASHER 36X10X3
35	95187100042	
36	95187100073	FRONT GLASS W/GASKET
37	95187100071	LOW FRONT GLASS
38	95187100072	
39	95187100143	STUD
40	95187100078	RUBBER WASHER
41	00111000132	WASHER P. 8,4X32X2,5 ZNT
42	95187100006	LEFT DOOR GLASS WITH GASKET
43	95187100149	DOOR GLASS
44	95187100080	GLASS GASKET L=4,50 M
45	95187100081	RIGHT DOOR GLASS WITH GASKET
46	00111350022	SCREW TSPEI M8X30 ZNT
47	95187100087	
48	00111000179	GROWER WASHER M8
49	95187100086	
50	95187100085	
51	95187100082	DOOR HINGE LEFT CPL. T4
52	95187100084	HING RUBBER BOTTOM
53	95187100007	GAS SPRING 250N W/PLASTIC HEAD
54	95187100089	JOINT FOR GAS DAMPER
55	00111000095	SELF BLO. NUT M8

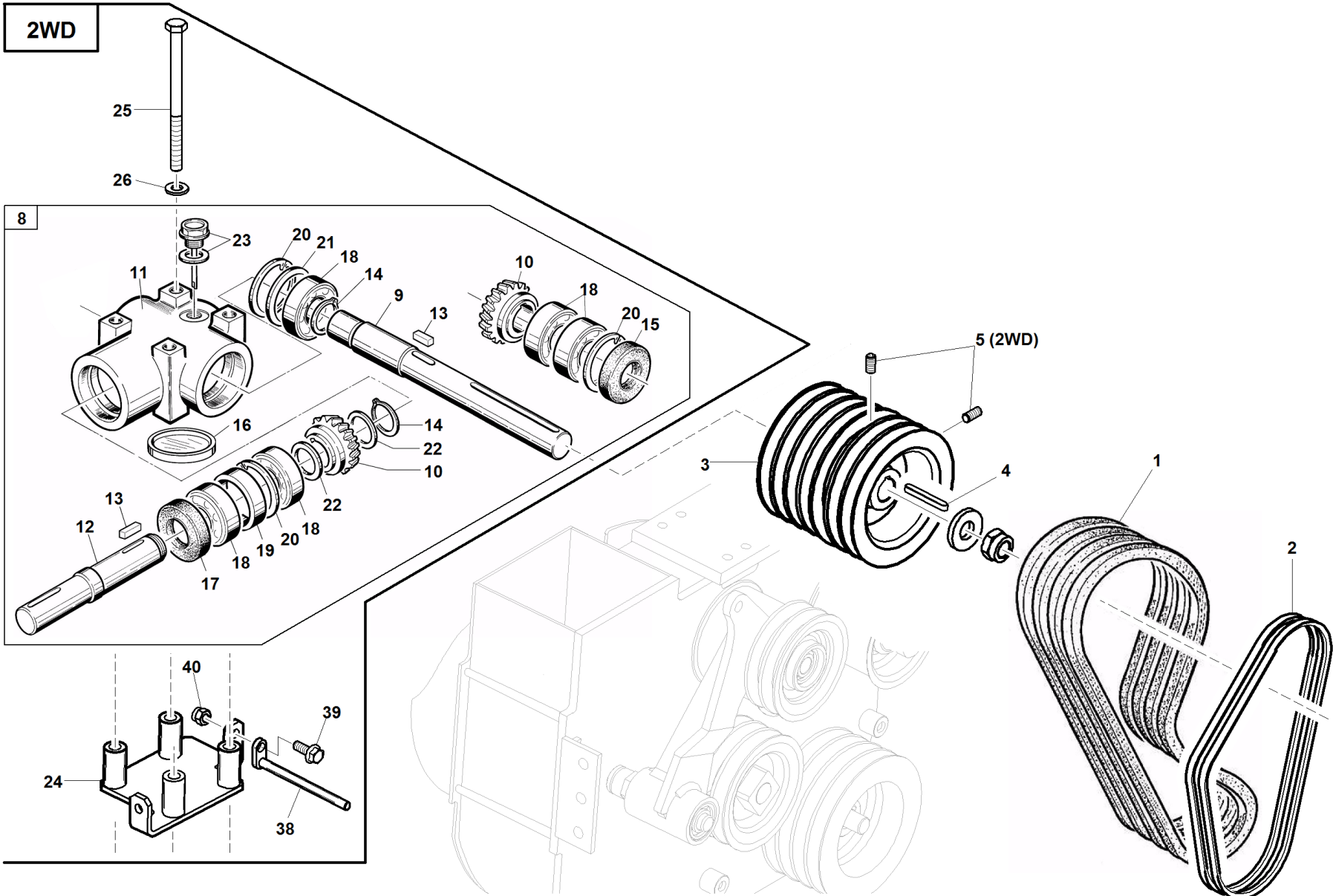
#	P/N	DESCR.
56	95187100083	
57	95187100088	
58	95187100098	DOOR HANDLE
59	95187100100	HANDLE LARGE OUTSIDE GASKET
60	00111350006	
61	95187100099	HANDLE OUTSIDE GASKET
62	00111000137	SCREW TE M6X25
63	00111000037	WASHER 6.6X18X2
64	95187100101	LOCK KEY
65	95187100091	
66	95187100093	LH DOOR LOCK
67	95187100090	
68	00111000166	SELF LOCKING NUT M6 UNI 7473
69	95187100092	
70	95187100095	
71	95187100097	
72	95187100096	
73	95187100094	
74	95187100076	REAR GLASS WITH GASKET
75	95187100074	REAR GLASS
76	95187100075	GLASS GASKET I=3,5MT
77	00111500033	



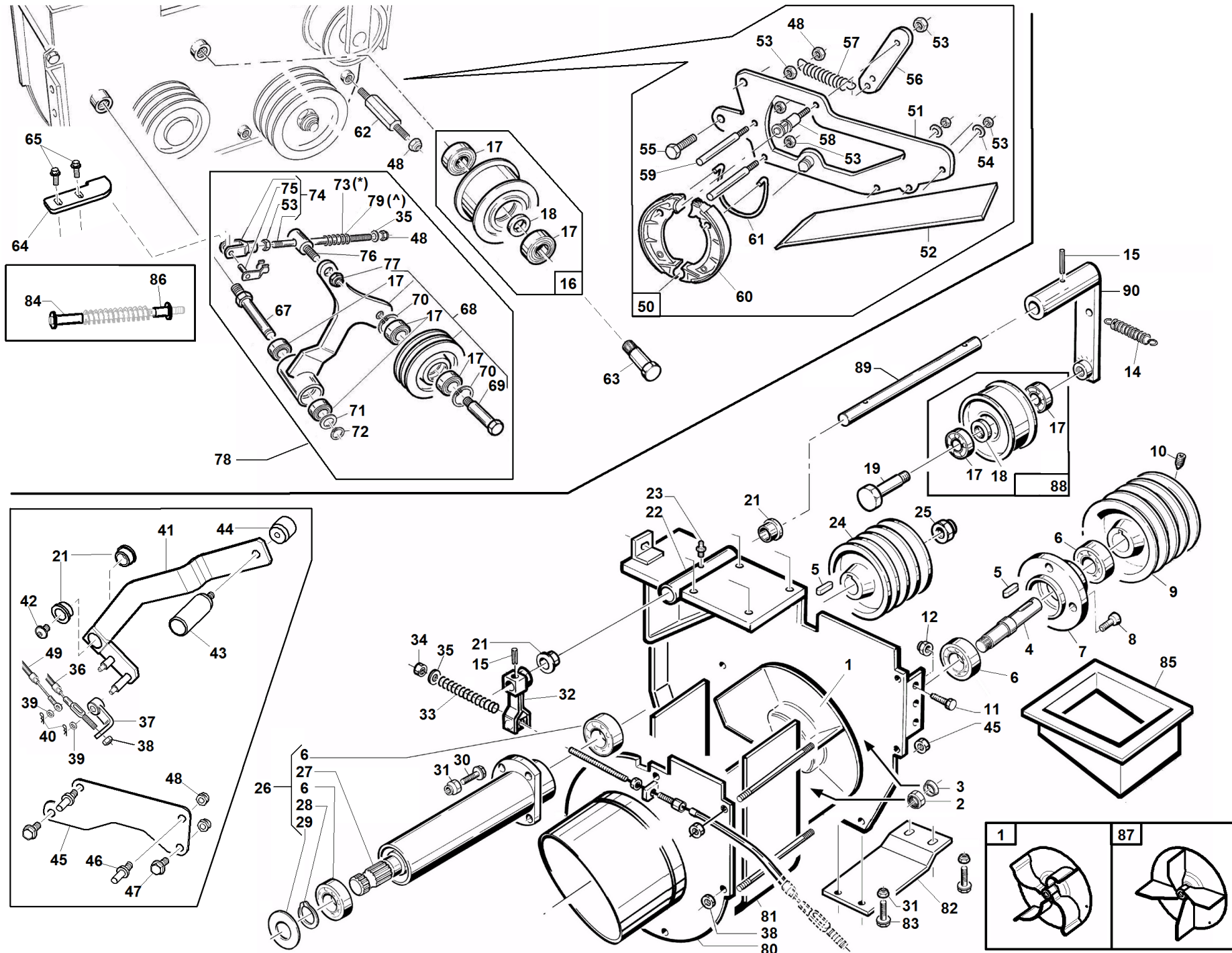


#	P/N	DESCR.
1	95400000010	MUFFLER
2	00111990086	KUBOTA MAINFOLD EXHAUST GASKET
3	00111000094	SCREW TE M8X40
4	00111250018	"NUT ""CONEKLOK"" M8"
5	95400000009	MUFFLER SUPPORT BRACKET
6	00111450003	SCREW WASHER M8X20
7	95124160000	MUFFLER FIXING PLATE
8	00111000071	SELF LOCKING NUT M8 UNI 7473
9	00111000095	SELF BLO. NUT M8
10	95400150000	ASSEMBLY PG FUEL TANK
11	00111970155	FILLERCAP WITH VALVE
12	00777800199	RESERVE GAUGE
13	00111450017	SCREW FR M4X18
14	95400140000	
15	00111450007	FALS SCREW R.M10X25
16	00111300062	
17	00777650072	"5"" AIR FILTER CARTRIDGE"
18	00777650077	"AIR FILTER DONALDSON 5"""
19	00777650079	"AIR PRE-FILTER DONALDSON 5"""
20	00777650073	
21	00111450001	SCREW WASHER M8X25
22	95410000014	
23	95410000003	TUBE 1/4 1SC OC1/4-F90°3/8 L=4540 90°
24	00111810012	CLAMP 40-60 TYPE NORMA
25	95410000004	TUBE 1/4 1SC OC1/4-OC1/4 L=1000 0°
26	00777650059	AIR PRE-FILTER
27	95410170000	
28	00777650057	DONALDSON AIR FILTER
29	00777650042	AIR FILTER CARTRIDGE
30	00777650043	BRACKET AIR FILTER SUPPORT
31	95301000029	AIR FILTER HOSE
32	00111810012	CLAMP 40-60 TYPE NORMA
33	95301300000	ASPIRATION IRON TUBE
34	95301000028	FILTER SUPPORT

2WD



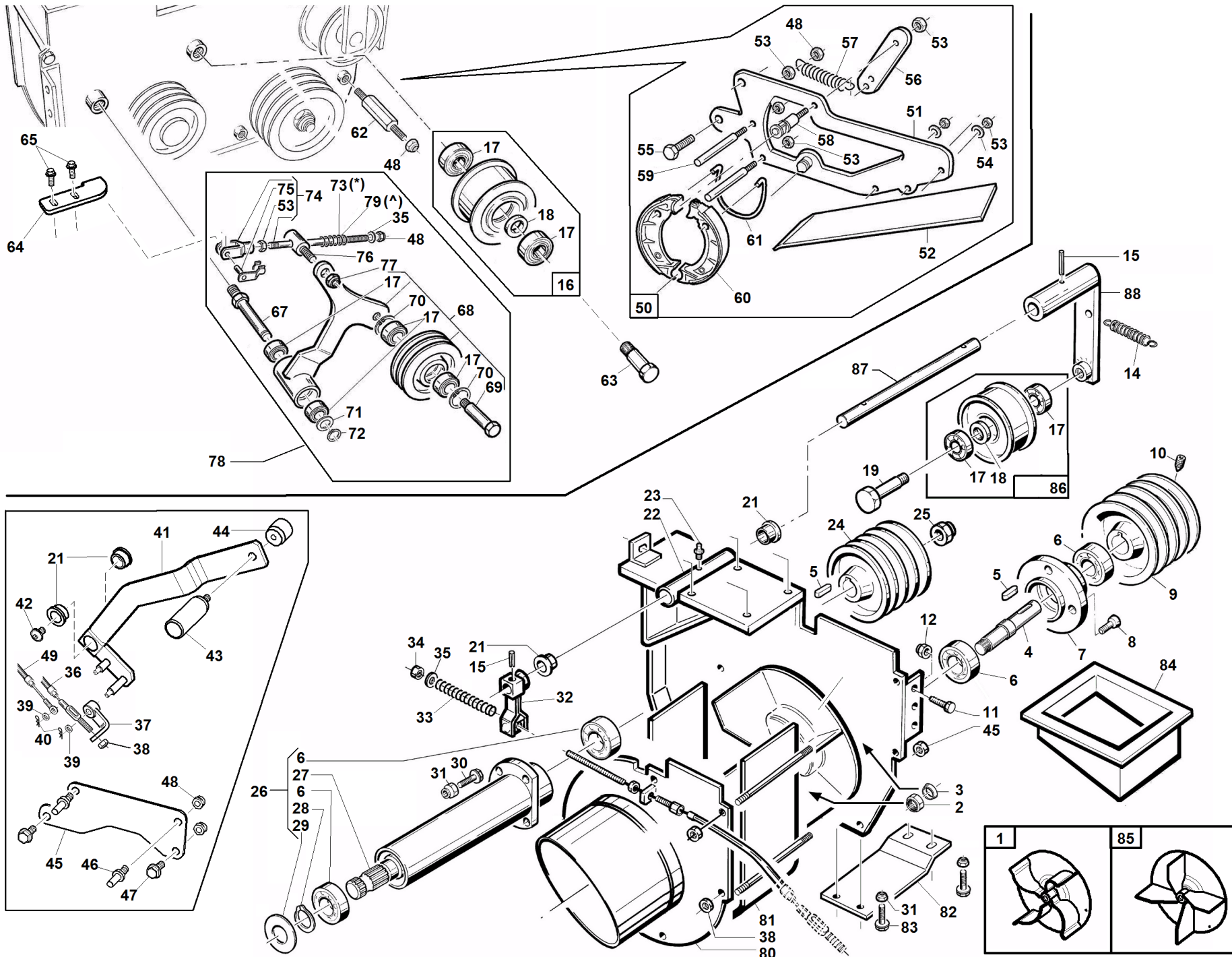
#	P/N	DESCR.
1	00111980006	BELT GATES POWERATED 6853
2	95598530000	QUAD POWER III XPA932 BELTS KIT
3	95302100006	PULLEY 6 RACES
4	00111900007	TONGUE A 6X6X40
5	00111960002	GRUB M8X16
8	00777306500	GEAR CASE 3 OUTPUT W/PUMP SUPP.
9	00777306501	TRANSMISSION SHAFT
10	00777306000	ELIC. BEVEL GEAR PAIR
11	00777305101	GEAR CASE 2 OUTPUT WITH PUMP SUPP.
12	00777304701	OUTPUT SHAFT
13	00111900018	TONGUE B6X6X16
14	00111000057	SNAP RING D.20 E
15	00777250007	SEAL WASHER AS 20X52X10
16	00777270001	CLOSED CAP 62X7
17	00777250006	SEAL WASHER AS 25X52X7
18	00777100019	KOYO BEARING 6304 SKF
19	00777305103	SPACER 39.2X51.5 L=10.25
20	00111650009	SNAP RING D.52 I
21	95598280000	SPACER KIT 42X52
22	95598270000	SPACER KIT 20X28
23	00111990005	COVER FILLING LEVEL 3/8
24	95308101000	SUPPORT FOR GEARBOX 3 OUTPUT
25	00111300066	
26	00111000015	WASHER D.10,5X21X2
27	95401190000	PUMP SUPPORT
28	00111300044	SCREW TE UNI 5739
29	00111550005	WASHER M10
30	95303000004	PUMP SHAFT
31	00111000139	SNAP RING D.35 E
32	00111650026	SNAP RING D.72 I
33	00777100055	BEARING 6207 35X72X17
34	00777230019	OR RING D=2.62 - Di101.28
35	00777100054	BEARING 2205 25X52X18
36	00111650037	SNAP RING E X Ø25 UNI 7435
37	00777250026	SEAL WASHER AS 25X52X10
38	95303290000	BELT STOP PIN
39	00111450003	SCREW WASHER M8X20
40	00111000071	SELF LOCKING NUT M8 UNI 7473
41	00111000059	FAKE SCREW/WASH. M8X14





#	P/N	DESCR.
1	95308101100	VACUUM FAN Ø 300
2	00111250007	SELF BL. NUT M20X1.5
3	95001000066	PULLEY LOCK RING
4	95302100008	TURBINE SHAFT
5	00111000174	TONGUE A 6X6X30
6	00777100020	BEARING 6204 2RS
7	95029100001	TURBINE D=240 HUB
8	00111350012	SCREW TSPEI M8X18
9	95302100007	TURBINE PULLEY 4 RACES
10	00111960002	GRUB M8X16
11	00111000076	SCREW TE M10X25
12	00111250004	SELF LOCKING NUT M10 UNI 7473
13	95302101100	PDP TIGHTENER BELT LEVER
14	95029000022	TRACTION DISC SPRING
15	00111700006	PIN EL D.6X28
16	95599580000	STOP BELT PULLEY
17	00777100005	KOYO BEARING 6202 2RS
18	95029000023	SPACER 15,5x20x12,2
19	95029000011	THREADED SHAFT M14X1,5
20	95302100009	PIN
21	95001000060	BRASS BUSHING
22	95302101400	SUPPORT TURBINE PLATE
23	00111000036	GREASER M6
24	95302100004	PTO PULLEY 4 RACES D=137
25	00111250003	SELF BL. NUT M16
26	95302101600	ASSEMBLY PTO SUPPORT TUBE
27	95302100002	PTO SHAFT
28	00111000057	SNAP RING D.20 E
29	00111990117	BEARING PROTECTION 20X47X5
30	00111300052	SCREW TE UNI 5739
31	00111250014	SELF BL. NUT M8
32	95049391600	PTO TIGHTENER BELT LEVER
33	95001000031	PTO CLUTCH SPRING
34	00111000155	NUT M6
35	00111000061	WASHER 8.4X24X2
36	95042210004	ADJUSTABLE TURBINE AND PTO CABLE
37	PZ95042216000	TURBINE CABLE REGISTER
38	00111000095	SELF BLO. NUT M8
39	00111500009	WASHER 6.4X12.5X1.6
40	00111000114	"PIN ""R"" D.1,2"
41	95400180000	PTO ENGAGEMENT LEVER
42	00111450004	SCREW WASHER M8X12
43	95500000071	PTO LONG KNOB
44	95500000070	PTO SHORT KNOB
45	95400000012	SUPPORT BRACKET FOR PTO LEVER BLOCKS
46	95400000001	PTO LEVER LOCKING PIN
47	00111450003	SCREW WASHER M8X20
48	00111000071	SELF LOCKING NUT M8 UNI 7473
49	95301000020	BLADE BRAKE CABLE
50	95301330000	ASSEMBLED BLADE BRAKE
51	95301210000	BRAKE SUPPORT
52	95301220000	BELT STOP PLATE
53	00111000166	SELF LOCKING NUT M6 UNI 7473
54	00111000037	WASHER 6.6X18X2
55	00111000033	SCREW TE M8X30

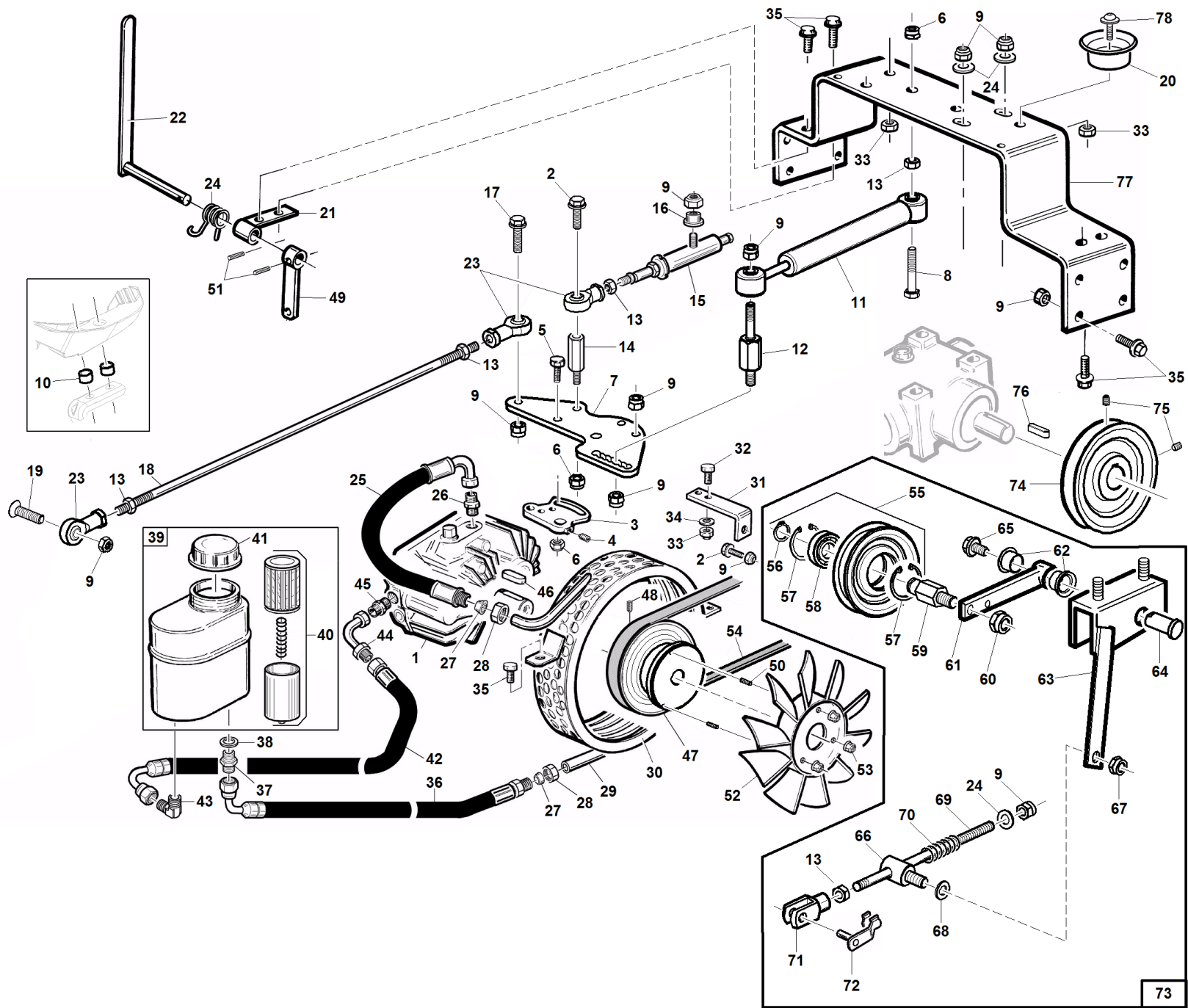
#	P/N	DESCR.
56	95301000018	BRAKE LEVER
57	94500000103	BRAKE RECOVERY SPRING
58	00111990113	BRAKE BLOCK NOSE
59	95301000014	BELT STOP PIN
60	00111990111	SHOE FOR PTO BRAKE
61	00111990112	SPRING FOR BRAKE
62	95302100001	THREADED SPACER
63	95029000012	THREADED SHAFT M14X1,5 LEFT
64	95301000003	TIGHTENER STAFF SUPPORT
65	00111450005	SCREW/W M6X16
66	95598850000	
67	95049390002	BELT-TIGHTENER ENGINE SHAFT
68	95302101300	ASSEMBLED ENGINE BELT TIGHTENER
69	95049392101	THREADED SHAFT M14X1,5
70	00111650005	SNAP RING D.35 I
71	00111500004	WASHER 15,2X28X2.5 UNI 6592TE
72	00111650004	SNAP RING D.15 E
73	95200000002	ENGINE BELT TIGHTENER SPRING
74	94500730000	LEVER STAFF BELT TIGHTENER
75	00111000194	FORKED PIN D.8
76	94010820000	SPRING TENSION DRILL ROD
77	00111000080	SELF LOCKING NUT M10 UNI 7474
78	95599600000	PG ENGINE BELT TIGHTENER KIT
79	95201000006	BELTS ENGINE SPRING
80	95302101500	TURBINE FRONTAL PLATE
81	PZ95049391200	TURBINE CIRCULA BAND D=300
82	95301000019	TURBINE LOWER SUPPORT
83	00111450001	SCREW WASHER M8X25
84	95422000002	BUSH Ø8 L=37mm
85	95049000024	CHIMNEY WASHER
86	95422000003	BUSH Ø8 L=19mm
87	PZ95049391300	TURBINE WHEEL D=300
88	95029220000	ASSEMBLED PDP TIGHTENER PULLEY
89	95049390001	PIN
90	PZ95029400000	PTO THIGHTENER LEVER



#	P/N	DESCR.
1	95308101100	VACUUM FAN Ø 300
2	00111250007	SELF BL. NUT M20X1.5
3	95001000066	PULLEY LOCK RING
4	95302100008	TURBINE SHAFT
5	001111000174	TONGUE A 6X6X30
6	00777100020	BEARING 6204 2RS
7	95029100001	TURBINE D=240 HUB
8	00111350012	SCREW TSPEI M8X18
9	95302100007	TURBINE PULLEY 4 RACES
10	00111960002	GRUB M8X16
11	00111000076	SCREW TE M10X25
12	00111250004	SELF LOCKING NUT M10 UNI 7473
13	95302101100	PDP TIGHTENER BELT LEVER
14	95029000022	TRACTION DISC SPRING
15	00111700006	PIN EL D.6X28
16	95599580000	STOP BELT PULLEY
17	00777100005	KOYO BEARING 6202 2RS
18	95029000023	SPACER 15,5x20x12,2
19	95029000011	THREADED SHAFT M14X1,5
20	95302100009	PIN
21	95001000060	BRASS BUSHING
22	95302101400	SUPPORT TURBINE PLATE
23	00111000036	GREASER M6
24	95302100004	PTO PULLEY 4 RACES D=137
25	00111250003	SELF BL. NUT M16
26	95302101600	ASSEMBLY PTO SUPPORT TUBE
27	95302100002	PTO SHAFT
28	00111000057	SNAP RING D.20 E
29	00111990117	BEARING PROTECTION 20X47X5
30	00111300052	SCREW TE UNI 5739
31	00111250014	SELF BL. NUT M8
32	95049391600	PTO TIGHTENER BELT LEVER
33	95001000031	PTO CLUTCH SPRING
34	00111000155	NUT M6
35	00111000061	WASHER 8.4X24X2
36	95042210004	ADJUSTABLE TURBINE AND PTO CABLE
37	PZ95042216000	TURBINE CABLE REGISTER
38	00111000095	SELF BLO. NUT M8
39	00111500009	WASHER 6.4X12.5X1.6
40	00111000114	"PIN ""R"" D.1,2"
41	95400180000	PTO ENGAGEMENT LEVER
42	00111450004	SCREW WASHER M8X12
43	95500000071	PTO LONG KNOB
44	95500000070	PTO SHORT KNOB
45	95400000012	SUPPORT BRACKET FOR PTO LEVER BLOCKS
46	95400000001	PTO LEVER LOCKING PIN
47	00111450003	SCREW WASHER M8X20
48	00111000071	SELF LOCKING NUT M8 UNI 7473
49	95301000020	BLADE BRAKE CABLE
50	95301330000	ASSEMBLED BLADE BRAKE
51	95301210000	BRAKE SUPPORT
52	95301220000	BELT STOP PLATE
53	00111000166	SELF LOCKING NUT M6 UNI 7473
54	00111000037	WASHER 6.6X18X2
55	00111000033	SCREW TE M8X30

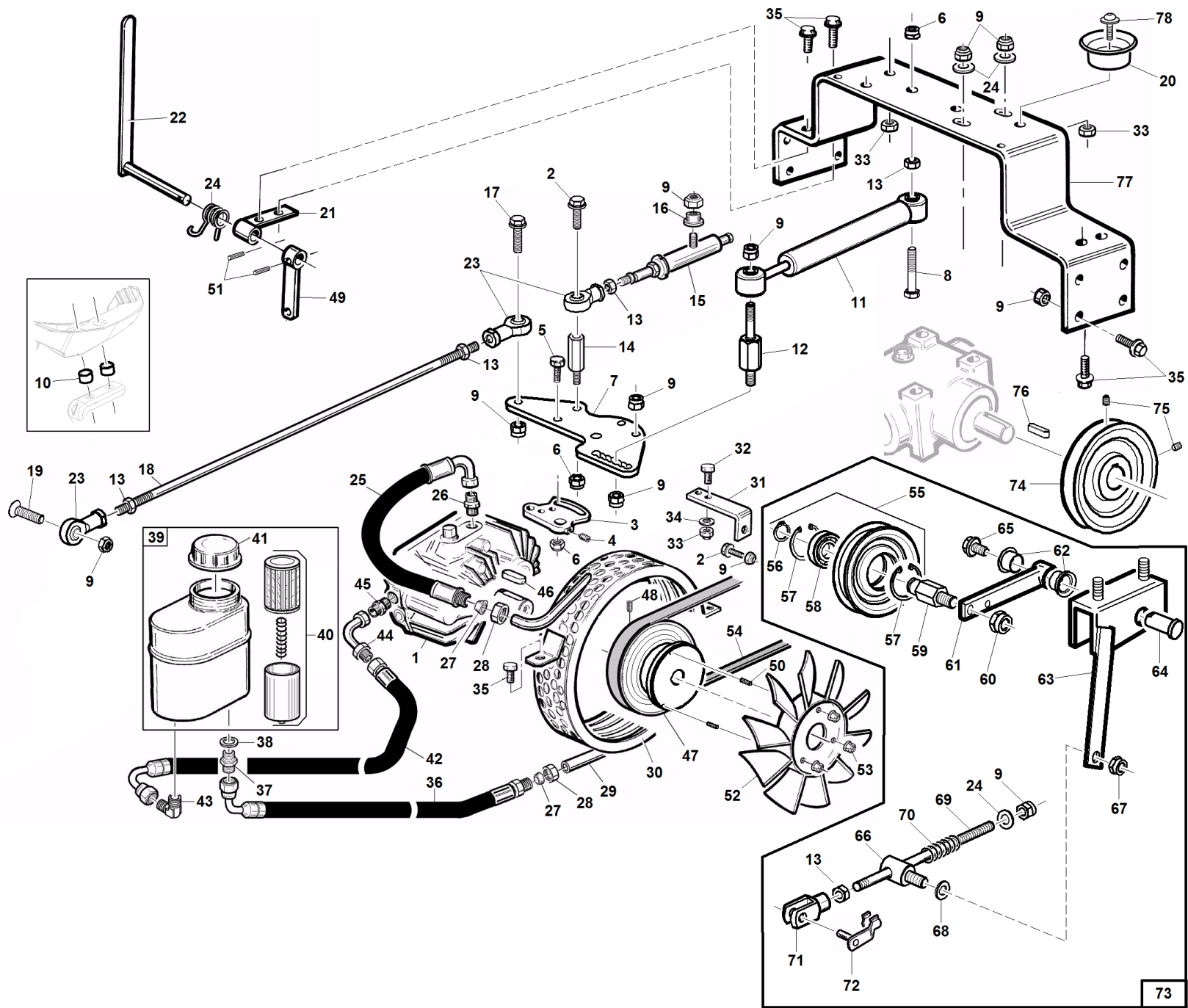


#	P/N	DESCR.
56	95301000018	BRAKE LEVER
57	94500000103	BRAKE RECOVERY SPRING
58	00111990113	BRAKE BLOCK NOSE
59	95301000014	BELT STOP PIN
60	00111990111	SHOE FOR PTO BRAKE
61	00111990112	SPRING FOR BRAKE
62	95302100001	THREADED SPACER
63	95029000012	THREADED SHAFT M14X1,5 LEFT
64	95301000003	TIGHTENER STAFF SUPPORT
65	00111450005	SCREW/W M6X16
66	95598850000	
67	95049390002	BELT-TIGHTENER ENGINE SHAFT
68	95302101300	ASSEMBLED ENGINE BELT TIGHTENER
69	95049392101	THREADED SHAFT M14X1,5
70	00111650005	SNAP RING D.35 I
71	00111500004	WASHER 15,2X28X2.5 UNI 6592TE
72	00111650004	SNAP RING D.15 E
73	95200000002	ENGINE BELT TIGHTENER SPRING
74	94500730000	LEVER STAFF BELT TIGHTENER
75	00111000194	FORKED PIN D.8
76	94010820000	SPRING TENSION DRILL ROD
77	00111000080	SELF LOCKING NUT M10 UNI 7474
78	95599600000	PG ENGINE BELT TIGHTENER KIT
79	95201000006	BELTS ENGINE SPRING
80	95302101500	TURBINE FRONTAL PLATE
81	PZ95049391200	TURBINE CIRCULAR BAND D=300
82	95301000019	TURBINE LOWER SUPPORT
83	00111450001	SCREW WASHER M8X25
84	95049000024	CHIMNEY WASHER
85	PZ95049391300	TURBINE WHEEL D=300
86	95029220000	ASSEMBLED PDP TIGHTENER PULLEY
87	95049390001	PIN
88	PZ95029400000	PTO TIGHTENER LEVER



#	P/N	DESCR.
1	95439000001	BDU 21 MOTOR-PUMP
2	00111450001	SCREW WASHER M8X25
3	95439100002	BDU 21 LEVER
4	00777600023	GRUB LEVER BDU
5	00111300061	SCREW TE M8X20
6	00111000095	SELF BLO. NUT M8
7	95439100001	BDU 21 DRIVE LEVER
8	00111000129	SCREW UNI 5737
9	00111000071	SELF LOCKING NUT M8 UNI 7473
10	94500000051	SPACER 10.25X16X10.5
11	00777600177	DAMPER 400N (104 mm/s)
12	95442000001	DAMPER PIN
13	00111000082	NUT M8
14	95439100003	SPACER FOR MECHANICAL CYLINDER
15	95042230000	COMPLETE MECC. CYLINDER
16	00111530001	SYNTHETIZE BUSHING 8X10 L=5.5
17	00111450002	SCREW WASHER M8X30
18	95442000002	TIE-ROD FOR PEDAL
19	00111350022	SCREW TSPEI M8X30 ZNT
20	00111300043	SCREW TE UNI 5737 M10x45 8.8
20	95301000001	CENTRING DUMPER MEMBER
21	00111500013	WASHER 10,5x18x2 UNI 6592
21	PZ95042183000	BY-PASS LEVER SUPPORT
22	95311180001	PEDAL TIE ROD
22	PZ95042187000	SHAFT LEVER
23	00777200007	ARTICULATION HEAD CF8 M8
24	00111000087	WASHER P.8,4X15.6X1,5
24	95504000019	SPRING TROLLEY ATTACHM.
25	95439101101	BDU 21 OUTLET HOSE
26	00777600263	"PIPE FITTING SAE M3/4"" UNF - M1/2"" GAS"
27	00777600054	OGIVE 12L 100107
28	00777600053	NUT 12 L CODE 100207
29	95042000007	COPPER SERPENTINE 12X1
30	95442100000	BDU 21 AIR CONVEYOR FOR SERPENTINE
31	95442000003	BDU 21 AIR CONVEYOR BRACKET
32	00111300011	SCREW TE M6X20
33	00111000166	SELF LOCKING NUT M6 UNI 7473
34	00111000037	WASHER 6.6X18X2
35	00111450003	SCREW WASHER M8X20
36	95042380005	HOSE L=260
37	00777600015	NIPPLE 3/8
38	00777600003	WASHER COPPER 3/8
39	00111970094	COMPLETE OIL TANK
40	95598640000	KIT HYDROSTATIC MOTOR_PUMP FILTER
41	00111970056	OIL TANK PLUG
42	95042380006	HOSE R1T L=216
43	00777600115	MALE ELBOW 90° 3/8
44	00777600080	ADAPTER 90°GAS M+FG 3/8
45	00777600264	"PIPE FITTING SAE M9/16"" UNF - M3/8"" GAS"
46	00111900011	TONGUE 5X5X30
47	95442000004	BDU 21 PULLEY
48	00111960003	GRUB M6X10
49	PZ95042184000	LEVER BY PASS
49	PZ95049141400	PULLEY FLANGE FIXING
50	00111320007	

#	P/N	DESCR.
51	00111700008	PIN ELASTIC D.3X16
52	95049141201	FAN 7CW265
53	00111250012	SELF BL. NUT METB 5MA
54	00111980061	GATES QUAD POWER 1157 BELT
55	95599650000	TIGHTENER PULLEY PG
56	00111650004	SNAP RING D.15 E
57	00111650005	SNAP RING D.35 I
58	00777100005	KOYO BEARING 6202 2RS
59	95311110001	TIGHTENER PIN
60	00111250002	SELF LOCKING NUT M12 UNI 7474
61	95200201000	TIGHTENER BELT LEVER
62	00111530006	BUSHING 15X17X12
63	95200201100	BELT TIGHTENER SUPPORT
64	95200200001	TIGHTENER PIN
65	00111000059	FAKE SCREW/WASH. M8X14
66	94010820000	SPRING TENSION DRILL ROD
67	00111000080	SELF LOCKING NUT M10 UNI 7474
68	00111500001	WASHER 10.5X21X2
69	95200200002	TIGHTENER STAFF
70	95201000006	BELTS ENGINE SPRING
71	00111000196	FORK IN M8
72	00111000194	FORKED PIN D.8
73	95311210000	HYDRO.GROUP BELT TIGHTENER
74	95441100001	90° DRIVING GEAR PULLEY
75	00111960002	GRUB M8X16
76	00111900001	KEY A 6X6X25 UNI 6604
77	95042181002	UPPER SUPPORT PLATE
78	00111450012	SCREW FR M 6X20

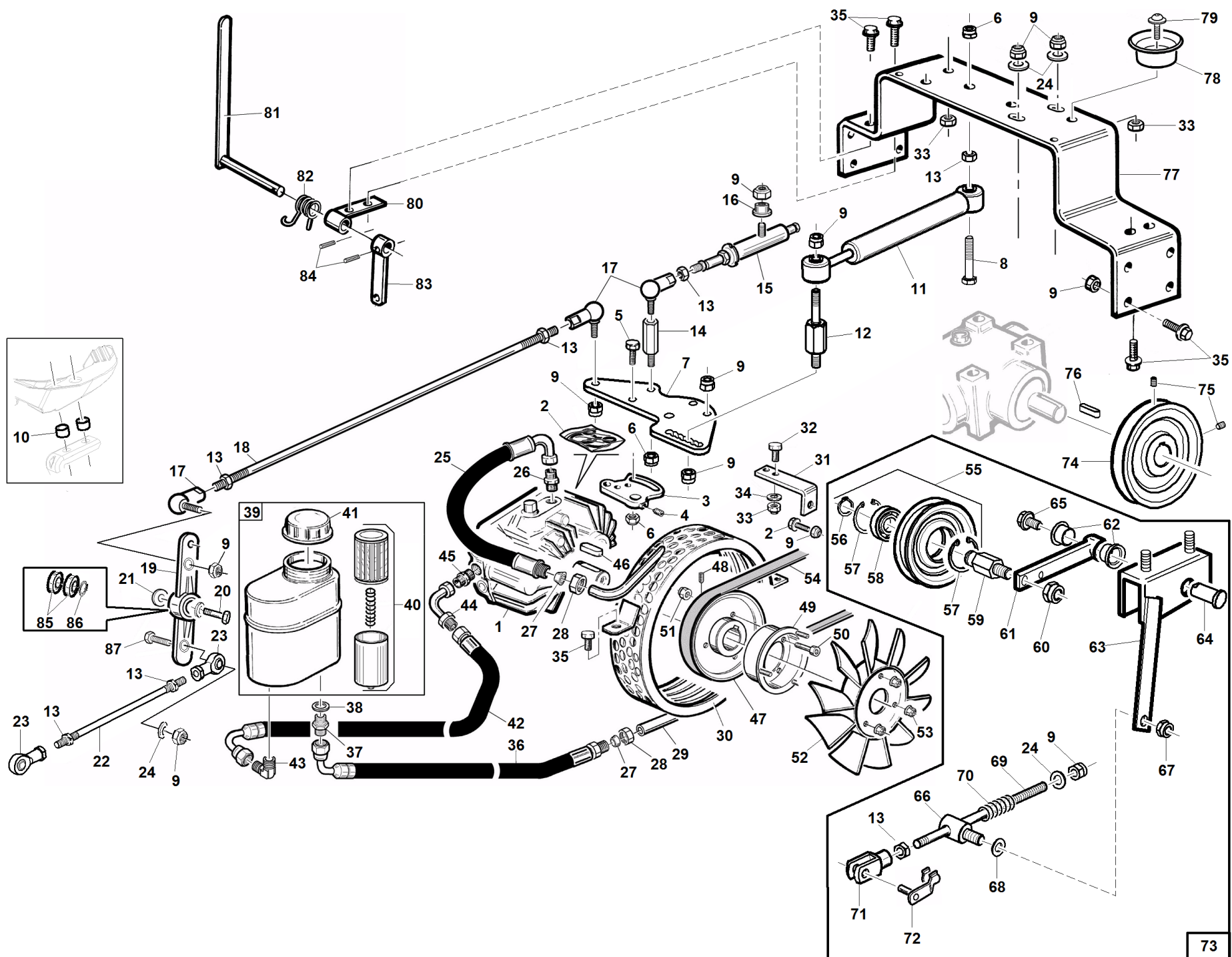




#	P/N	DESCR.
1	95439000001	BDU 21 MOTOR-PUMP
2	00111450001	SCREW WASHER M8X25
3	95439100002	BDU 21 LEVER
4	00777600023	GRUB LEVER BDU
5	00111300061	SCREW TE M8X20
6	00111000095	SELF BLO. NUT M8
7	95439100001	BDU 21 DRIVE LEVER
8	00111000129	SCREW UNI 5737
9	00111000071	SELF LOCKING NUT M8 UNI 7473
10	94500000051	SPACER 10.25X16X10.5
11	00777600177	DAMPER 400N (104 mm/s)
12	95442000001	DAMPER PIN
13	00111000082	NUT M8
14	95439100003	SPACER FOR MECHANICAL CYLINDER
15	95042230000	COMPLETE MECC. CYLINDER
16	00111530001	SYNTHETIZE BUSHING 8X10 L=5.5
17	00111450002	SCREW WASHER M8X30
18	95442000002	TIE-ROD FOR PEDAL
19	00111350022	SCREW TSPEI M8X30 ZNT
20	00111300043	SCREW TE UNI 5737 M10x45 8.8
20	95301000001	CENTRING DUMPER MEMBER
21	00111500013	WASHER 10,5x18x2 UNI 6592
21	PZ95042183000	BY-PASS LEVER SUPPORT
22	95311180001	PEDAL TIE ROD
22	PZ95042187000	SHAFT LEVER
23	00777200007	ARTICULATION HEAD CF8 M8
24	00111000087	WASHER P.8,4X15.6X1,5
24	95504000019	SPRING TROLLEY ATTACHM.
25	95439101101	BDU 21 OUTLET HOSE
26	00777600263	"PIPE FITTING SAE M3/4"" UNF - M1/2"" GAS"
27	00777600054	OGIVE 12L 100107
28	00777600053	NUT 12 L CODE 100207
29	95042000007	COPPER SERPENTINE 12X1
30	95442100000	BDU 21 AIR CONVEYOR FOR SERPENTINE
31	95442000003	BDU 21 AIR CONVEYOR BRACKET
32	00111300011	SCREW TE M6X20
33	00111000166	SELF LOCKING NUT M6 UNI 7473
34	00111000037	WASHER 6.6X18X2
35	00111450003	SCREW WASHER M8X20
36	95042380005	HOSE L=260
37	00777600015	NIPPLE 3/8
38	00777600003	WASHER COPPER 3/8
39	00111970094	COMPLETE OIL TANK
40	95598640000	KIT HYDROSTATIC MOTOR_PUMP FILTER
41	00111970056	OIL TANK PLUG
42	95042380006	HOSE R1T L=216
43	00777600115	MALE ELBOW 90° 3/8
44	00777600080	ADAPTER 90°GAS M+FG 3/8
45	00777600264	"PIPE FITTING SAE M9/16"" UNF - M3/8"" GAS"
46	00111900011	TONGUE 5X5X30
47	95442000004	BDU 21 PULLEY
48	00111960003	GRUB M6X10
49	PZ95042184000	LEVER BY PASS
49	PZ95049141400	PULLEY FLANGE FIXING
50	00111320007	



#	P/N	DESCR.
51	00111700008	PIN ELASTIC D.3X16
52	95049141201	FAN 7CW265
53	00111250012	SELF BL. NUT METB 5MA
54	95599000218	BDU21 BELT KIT
55	95599650000	TIGHTENER PULLEY PG
56	00111650004	SNAP RING D.15 E
57	00111650005	SNAP RING D.35 I
58	00777100005	KOYO BEARING 6202 2RS
59	95311110001	TIGHTENER PIN
60	00111250002	SELF LOCKING NUT M12 UNI 7474
61	95200201000	TIGHTENER BELT LEVER
62	00111530006	BUSHING 15X17X12
63	95200201100	BELT TIGHTENER SUPPORT
64	95200200001	TIGHTENER PIN
65	00111000059	FAKE SCREW/WASH. M8X14
66	94010820000	SPRING TENSION DRILL ROD
67	00111000080	SELF LOCKING NUT M10 UNI 7474
68	00111500001	WASHER 10.5X21X2
69	95200200002	TIGHTENER STAFF
70	95200000002	ENGINE BELT TIGHTENER SPRING
71	00111000196	FORK IN M8
72	00111000194	FORKED PIN D.8
73	95311210000	HYDRO.GROUP BELT TIGHTENER
74	95441100001	90° DRIVING GEAR PULLEY
75	00111960002	GRUB M8X16
76	00111900001	KEY A 6X6X25 UNI 6604
77	95042181002	UPPER SUPPORT PLATE
78	00111450012	SCREW FR M 6X20



**CAIMAN**

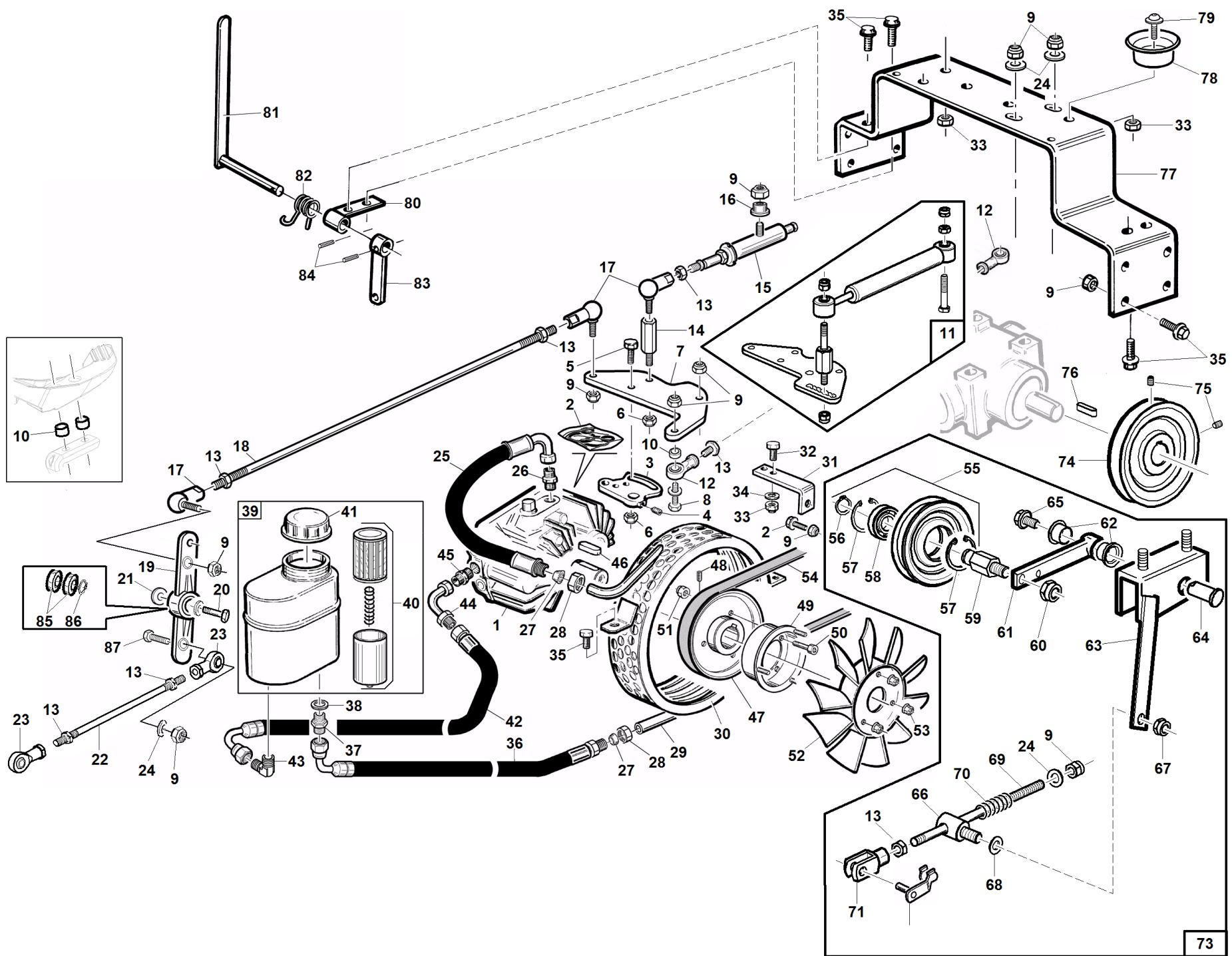
RANGE S/N:

1607010PKE < ÷ > 1911013PD0

ref. C05 - 0055502040

#	P/N	DESCR.
1	00777600021	BDU 10L-222
2	95599630000	GEAR BOX SEAL KIT BDU 10L-222
3	00777600022	LEVER BDU 321
4	00777600023	GRUB LEVER BDU
5	00111300061	SCREW TE M8X20
6	00111000095	SELF BLO. NUT M8
7	95315100001	DRIVE LEVER
8	00111000129	SCREW UNI 5737
9	00111000071	SELF LOCKING NUT M8 UNI 7473
10	94500000051	SPACER 10.25X16X10.5
11	00777600177	DAMPER 400N (104 mm/s)
12	95421000001	DAMPER PIN
13	00111000082	NUT M8
14	95049140001	SPACER M8
15	95042230000	COMPLETE MECC. CYLINDER
16	00111530001	SYNTHETIZE BUSHING 8X10 L=5.5
17	00777200001	ROUND JOINT AS 13 M8
18	94500000070	PEDAL THREATED TIE ROD M8
19	94500360000	PEDAL IDLER LEVER
20	00111300043	SCREW TE UNI 5737 M10x45 8.8
21	00111500013	WASHER 10,5x18x2 UNI 6592
22	95311180001	PEDAL TIE ROD
23	00777200007	ARTICULATION HEAD CF8 M8
24	00111000087	WASHER P.8,4X15.6X1,5
25	00777600052	BDU ASPIRATION HOSE
26	95042200006	PIPE-FITTING 7/8 X 3/8
27	00777600054	OGIVE 12L 100107
28	00777600053	NUT 12 L CODE 100207
29	95042000007	COPPER SERPENTINE 12X1
30	PC95042290000	AIR CONVEYOR
31	PZ95042000006	PLATE SUPPORT
32	00111300011	SCREW TE M6X20
33	00111000166	SELF LOCKING NUT M6 UNI 7473
34	00111000037	WASHER 6.6X18X2
35	00111450003	SCREW WASHER M8X20
36	95042380005	HOSE L=260
37	00777600015	NIPPLE 3/8
38	00777600003	WASHER COPPER 3/8
39	00111970094	COMPLETE OIL TANK
40	95598640000	KIT HYDROSTATIC MOTOR_PUMP FILTER
41	00111970056	OIL TANK PLUG
42	95042380006	HOSE R1T L=216
43	00777600115	MALE ELBOW 90° 3/8
44	00777600080	ADAPTER 90°GAS M+FG 3/8
45	95042200007	PIPE-FITTING 7/16X3/8
46	00111900011	TONGUE 5X5X30
47	95049141300	PULLEY D.101 DIESEL
48	00111960003	GRUB M6X10
49	PZ95049141400	PULLEY FLANGE FIXING
50	00111400028	ALLEN SCREW M5X14
51	00111000183	SELF BL. NUT M5
52	95049141201	FAN 7CW265
53	00111250012	SELF BL. NUT METB 5MA
54	00111980034	GATES BELT POWERATED 4L 6842
55	95599650000	TIGHTENER PULLEY PG

#	P/N	DESCR.
56	00111650004	SNAP RING D.15 E
57	00111650005	SNAP RING D.35 I
58	00777100005	KOYO BEARING 6202 2RS
59	95311110001	TIGHTENER PIN
60	00111250002	SELF LOCKING NUT M12 UNI 7474
61	95200201000	TIGHTENER BELT LEVER
62	00111530006	BUSHING 15X17X12
63	95200201100	BELT TIGHTENER SUPPORT
64	95200200001	TIGHTENER PIN
65	00111000059	FAKE SCREW/WASH. M8X14
66	94010820000	SPRING TENSION DRILL ROD
67	00111000080	SELF LOCKING NUT M10 UNI 7474
68	00111500001	WASHER 10.5X21X2
69	95200200002	TIGHTENER STAFF
70	94500000088	PTO TIGHTENER SPRING
71	00111000196	FORK IN M8
72	00111000194	FORKED PIN D.8
73	95311210000	HYDRO.GROUP BELT TIGHTENER
74	95049151100	PULLEY D.101 DIESEL
75	00111960002	GRUB M8X16
76	00111900001	KEY A 6X6X25 UNI 6604
77	95042181002	UPPER SUPPORT PLATE
78	95301000001	CENTRING DUMPER MEMBER
79	00111450012	SCREW FR M 6X20
80	PZ95042183000	BY-PASS LEVER SUPPORT
81	PZ95042187000	SHAFT LEVER
82	95504000019	SPRING TROLLEY ATTACHM.
83	PZ95042184000	LEVER BY PASS
84	00111700008	PIN ELASTIC D.3X16
85	00777100009	
86	00111650024	
87	00111000157	

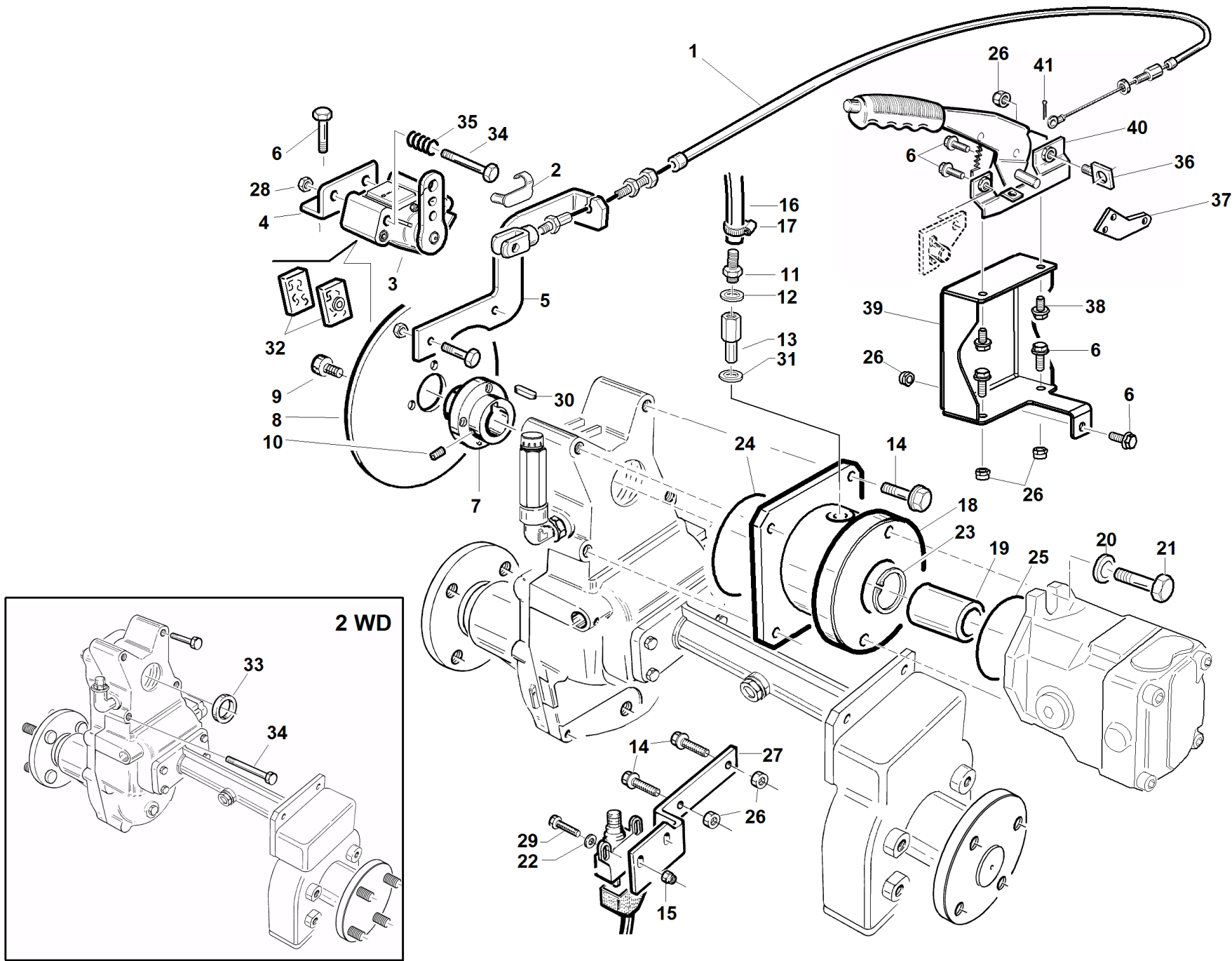




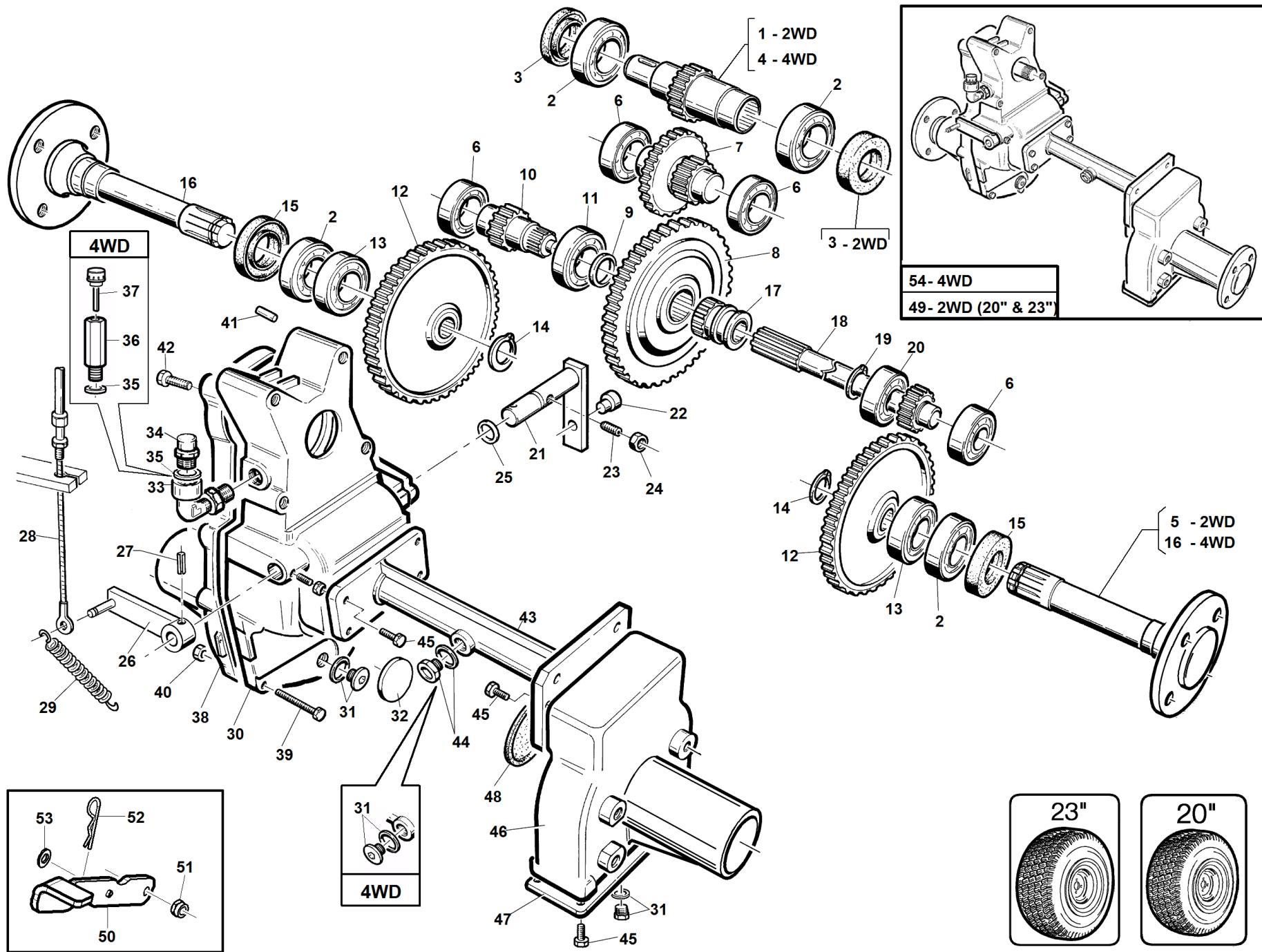
#	P/N	DESCR.
1	00777600021	BDU 10L-222
2	95599630000	GEAR BOX SEAL KIT BDU 10L-222
3	00777600022	LEVER BDU 321
4	00777600023	GRUB LEVER BDU
5	00111300061	SCREW TE M8X20
6	00111000095	SELF BLO. NUT M8
7	95049140002	ADVANCEMENT LEVER
8	00111300060	SCREW
9	00111000071	SELF LOCKING NUT M8 UNI 7473
10	94500000051	SPACER 10.25X16X10.5
11	95597440000	PG DAMPER KIT
12	00777200011	ARTICULATION HEAD CF8 M8x1
13	00111000082	NUT M8
14	95049140001	SPACER M8
15	95042230000	COMPLETE MECC. CYLINDER
16	00111530001	SYNTHETIZE BUSHING 8X10 L=5.5
17	00777200001	ROUND JOINT AS 13 M8
18	94500000070	PEDAL THREATED TIE ROD M8
19	94500360000	PEDAL IDLER LEVER
20	00111300043	SCREW TE UNI 5737 M10x45 8.8
21	00111500013	WASHER 10,5x18x2 UNI 6592
22	95311180001	PEDAL TIE ROD
23	00777200007	ARTICULATION HEAD CF8 M8
24	00111000087	WASHER P.8,4X15.6X1,5
25	00777600052	BDU ASPIRATION HOSE
26	95042200006	PIPE-FITTING 7/8 X 3/8
27	00777600054	OGIVE 12L 100107
28	00777600053	NUT 12 L CODE 100207
29	95042000007	COPPER SERPENTINE 12X1
30	PC95042290000	AIR CONVEYOR
31	PZ95042000006	PLATE SUPPORT
32	00111300011	SCREW TE M6X20
33	00111000166	SELF LOCKING NUT M6 UNI 7473
34	00111000037	WASHER 6.6X18X2
35	00111450003	SCREW WASHER M8X20
36	95042380005	HOSE L=260
37	00777600015	NIPPLE 3/8
38	00777600003	WASHER COPPER 3/8
39	00111970094	COMPLETE OIL TANK
40	95598640000	KIT HYDROSTATIC MOTOR_PUMP FILTER
41	00111970056	OIL TANK PLUG
42	95042380006	HOSE R1T L=216
43	00777600115	MALE ELBOW 90° 3/8
44	00777600080	ADAPTER 90°GAS M+FG 3/8
45	95042200007	PIPE-FITTING 7/16X3/8
46	00111900011	TONGUE 5X5X30
47	95049141300	PULLEY D.101 DIESEL
48	00111960003	GRUB M6X10
49	PZ95049141400	PULLEY FLANGE FIXING
50	00111400028	ALLEN SCREW M5X14
51	00111000183	SELF BL. NUT M5
52	95049141201	FAN 7CW265
53	00111250012	SELF BL. NUT METB 5MA
54	00111980034	GATES BELT POWERATED 4L 6842
55	95599650000	TIGHTENER PULLEY PG



#	P/N	DESCR.
56	00111650004	SNAP RING D.15 E
57	00111650005	SNAP RING D.35 I
58	00777100005	KOYO BEARING 6202 2RS
59	95311110001	TIGHTENER PIN
60	00111250002	SELF LOCKING NUT M12 UNI 7474
61	95200201000	TIGHTENER BELT LEVER
62	00111530006	BUSHING 15X17X12
63	95200201100	BELT TIGHTENER SUPPORT
64	95200200001	TIGHTENER PIN
65	00111000059	FAKE SCREW/WASH. M8X14
66	94010820000	SPRING TENSION DRILL ROD
67	00111000080	SELF LOCKING NUT M10 UNI 7474
68	00111500001	WASHER 10.5X21X2
69	95200200002	TIGHTENER STAFF
70	94500000088	PTO TIGHTENER SPRING
71	00111000196	FORK IN M8
72	00111000194	FORKED PIN D.8
73	95311210000	HYDRO.GROUP BELT TIGHTENER
74	95049151100	PULLEY D.101 DIESEL
75	00111960002	GRUB M8X16
76	00111900001	KEY A 6X6X25 UNI 6604
77	95042181002	UPPER SUPPORT PLATE
78	95301000001	CENTRING DUMPER MEMBER
79	00111450012	SCREW FR M 6X20
80	PZ95042183000	BY-PASS LEVER SUPPORT
81	PZ95042187000	SHAFT LEVER
82	95504000019	SPRING TROLLEY ATTACHM.
83	PZ95042184000	LEVER BY PASS
84	00111700008	PIN ELASTIC D.3X16

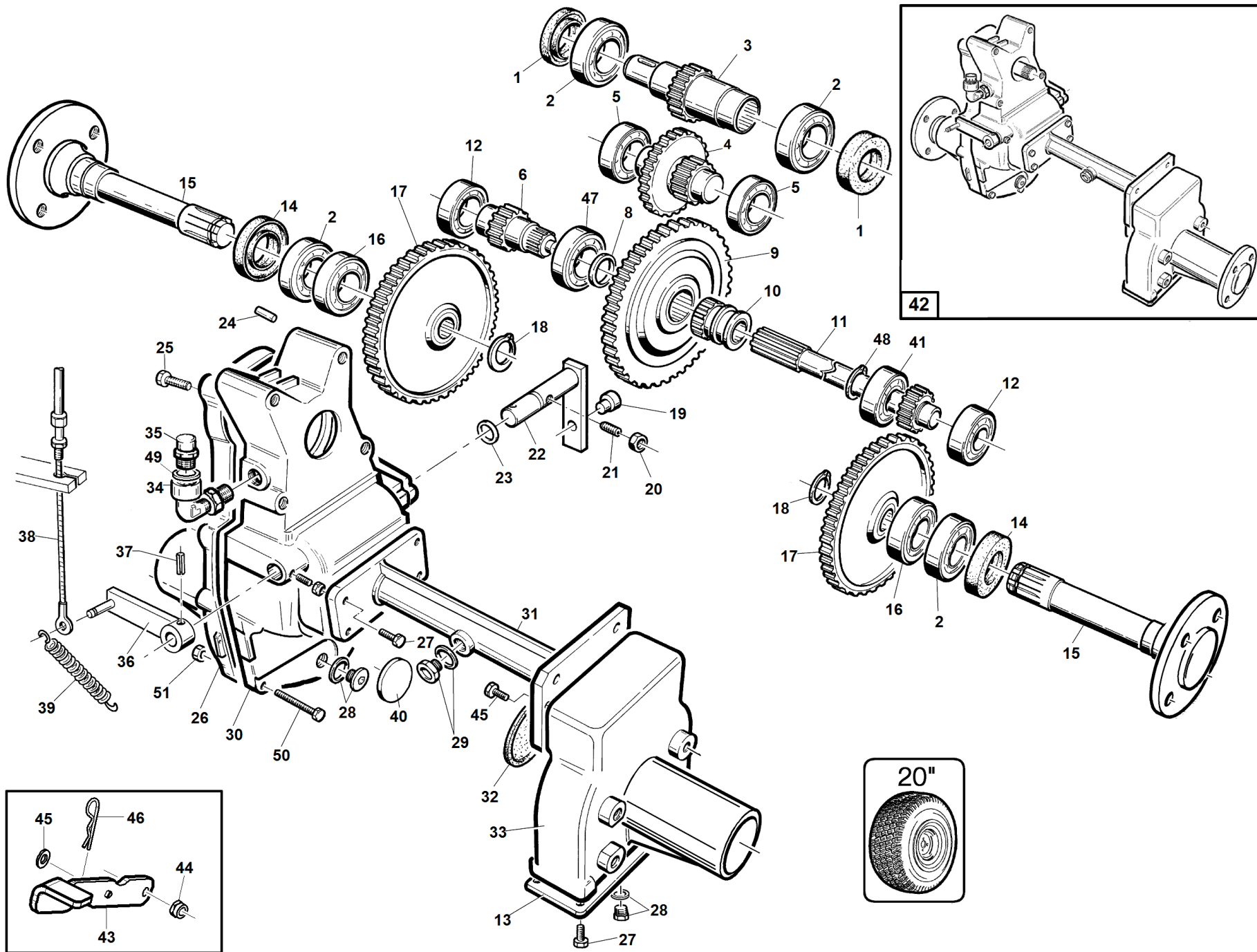


#	P/N	DESCR.
1	95301000043	PARKING BRAKE CABLE
2	95599000126	
3	95301000044	NIFO 1D BRAKE CALIPER
4	95301380000	BRAKE CALIPER SUPPORT BRACKET
5	95301000041	SUPPORT BRACKET FOR BRAKE CABLE
6	00111450003	SCREW WASHER M8X20
7	95042200004	BRAKE DISC HUB
8	95303220001	BRAKE DISC
9	00111000184	SCREW TE M5X10
10	00111960003	GRUB M6X10
11	00777600188	
12	00777600181	ALLUMINIUM WASHER 1/4
13	00777306702	VALVE LITTLE COLUMN M 1/8 - F 1/4
14	00111450001	SCREW WASHER M8X25
15	00111250006	SELF BL. NUT M4
16	00111810010	CLAMP 10-16 TYPE NORMA
17	95303000065	BREATHER HOSE
18	95303000002	ENGINE SUPPORT
19	95303000005	ENGINE BUSHING
20	00111550005	WASHER M10
21	00111000103	SCREW TE M10X30
22	00111500010	WASHER 4.3X9X0.8
23	00111650027	SNAP RING D.19 I
24	00777230021	OR RING D=2.62 - Di=82.22
25	00777230020	OR RING D=5.34 - Di=56.52
26	00111000071	SELF LOCKING NUT M8 UNI 7473
27	95400000018	PTO MICRO SWITCH SUPPORT
28	00111000082	NUT M8
29	00111300019	SCREW TE M4X20
30	00111900012	TONGUE A 5X5X16
31	00777600045	WASHER COPPER 1/8
32	95597160000	DOUBLE BRAKE PADS
33	95042200003	CENTERING RING
34	00111300034	SCREW TE M8X115
35	95301000045	SPRING
36	PZ95042190000	MICRO SUPPORT
37	95301000042	
38	00111000059	FAKE SCREW/WASH. M8X14
39	95400000013	PARKING BRAKE LEVER SUPPORT
40	00111990015	HAND BRAKE LEVER
41	00111750006	SPLIT PIN 1,6X20



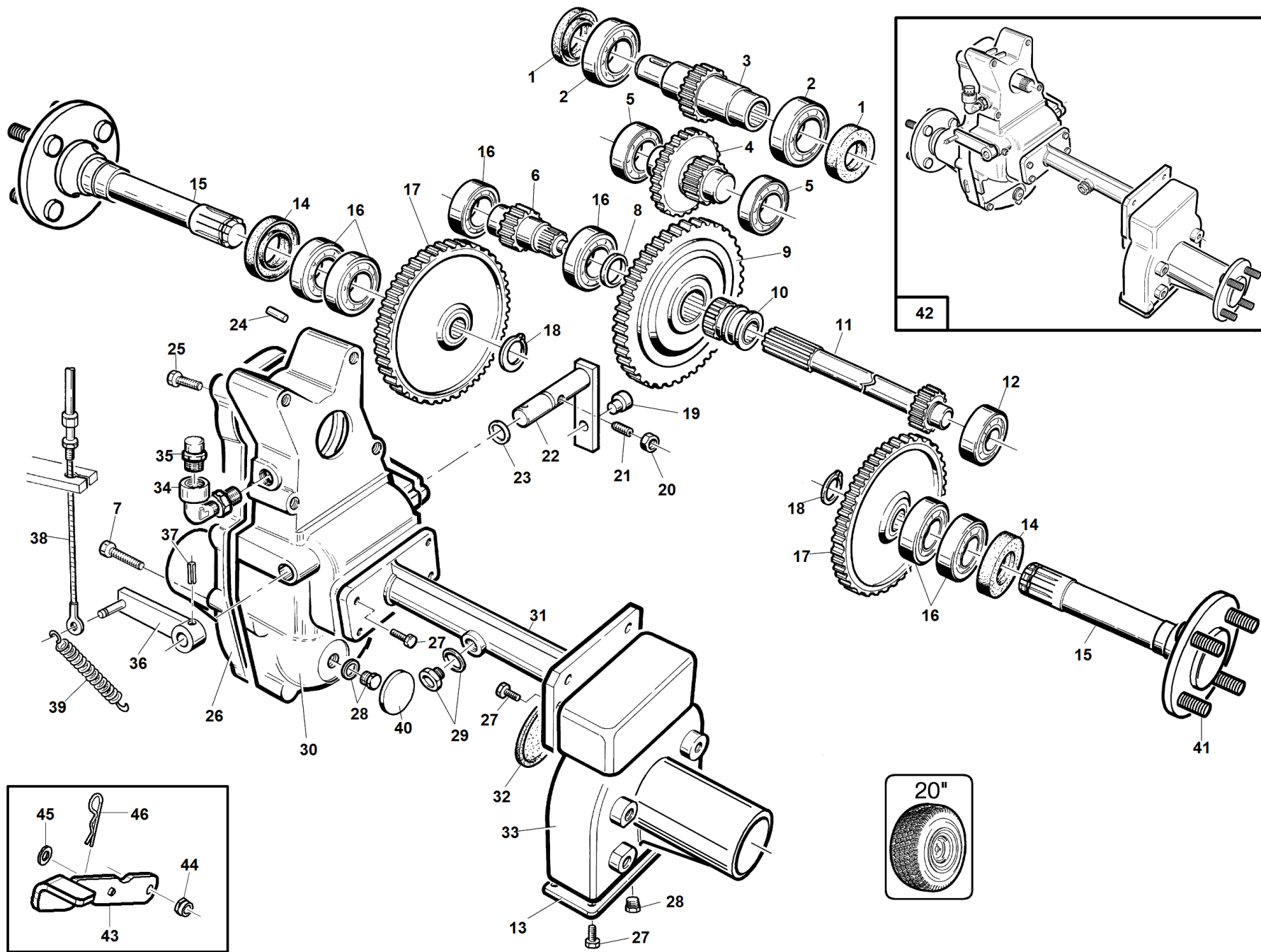
#	P/N	DESCR.
1	95439101001	SHAFT FOR DRIVE GEAR AXLE
2	00777100014	KOYO BEARING 6006 30X55X13
3	00777250024	SEAL WASHER AS 30X47X7
4	95303170012	SHAFT Z=24
5	95439101002	"20"/"23" SHAFT"
6	00777100015	BEARING 6005
7	00777304603	PINION SHAFT Z=29
8	00777301001	DIFFERENTIAL
9	95303170009	SPACER
10	95303170008	PINION SHAFT Z12
11	00777100052	BEARING 25X52X15
12	95303170004	CROWN Z=69
13	00777100024	BEARING CLA 6206 0X62X16
14	00111650028	SNAP RING D29 E
15	00777250025	SEAL WASHER AS 35X55X10
16	95303170005	AXLE SHAFT
17	00777301006	SPLINED BUSHING
18	95303170002	PINION SHAFT Z12
19	00111650009	SNAP RING D.52 I
20	00777100051	KOYO BEARING 6205
21	00777301012	DIFFERENTIAL LEVER
22	00777301011	RUNNER
23	00111960004	GRUB M8X20
24	00111150003	NUT M8
25	00777230001	OR RING 112
26	95001100000	DIFFERENTIAL LOCK LEVER
27	00111700006	PIN EL D.6X28
28	95301000021	DIFFERENTIAL BLOCKING LOCK CABLE
29	95001000050	SPRING DIFF. LOCK
30	95303170001	LEFT HALF GEAR CASE
31	00111990099	"COVER FOR OIL EXHAUST 3/8" ""
32	00777270007	CLOSED CAP 42X7
33	00111990004	PIPE-FITTING A 90°
34	00111990003	COVER VENTILATION 1/2 GAS
35	00777600117	"COPPER WASHER 1/2" ""
36	95303170011	DIPSTICK EXTENSION
37	00777600143	GAS PLUG 1/2 W/ROD L=60 MM
38	95303170010	RIGHT HALF GEAR CASE
39	00111300074	SCREW M8X55
40	00111000082	NUT M8
41	00111870005	PIN A 6X12
42	00111000094	SCREW TE M8X40
43	95303170003	EXTENSION
44	00111990002	LEVEL WITHTROL SIDE DISCHARGE C
45	00111000093	HEXAGON SCREW M8x20 UNI 5739
46	95303170006	LEFT GEAR CASE
47	95303170007	COVER
48	00777270001	CLOSED CAP 62X7
49	95439101000	PG 2WD 20"/"23" FRONT DRIVE GEAR AXLE
50	95400200000	DIFFERENTIAL LOCK PEDAL
51	00111000071	SELF LOCKING NUT M8 UNI 7473
52	00111000114	"PIN ""R"" D.1,2"
53	00111500009	WASHER 6.4X12.5X1.6
54	95303170000	TRANSMISSION GEARING BOX



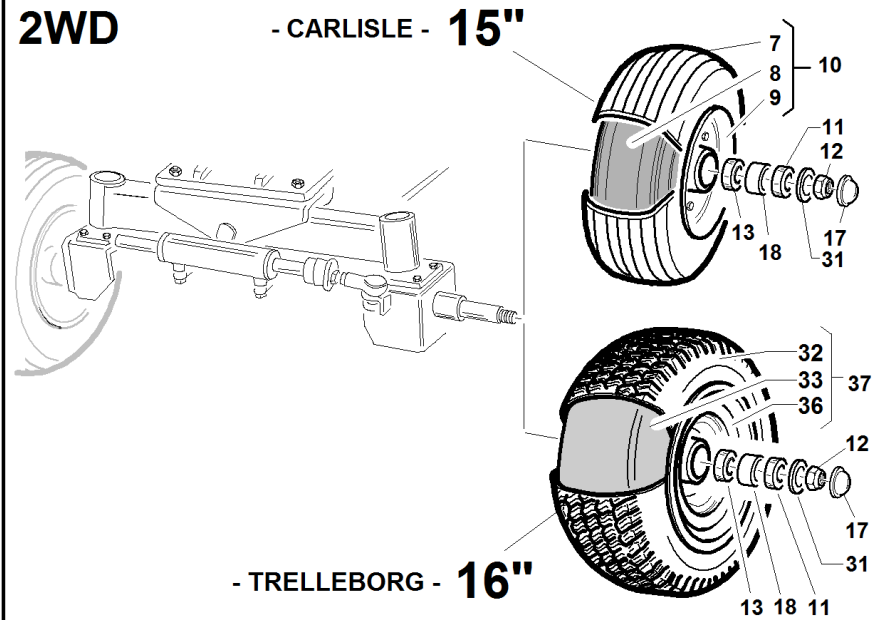
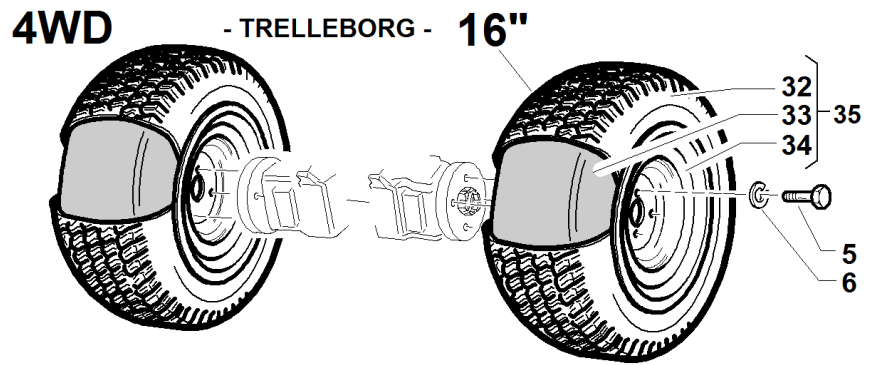
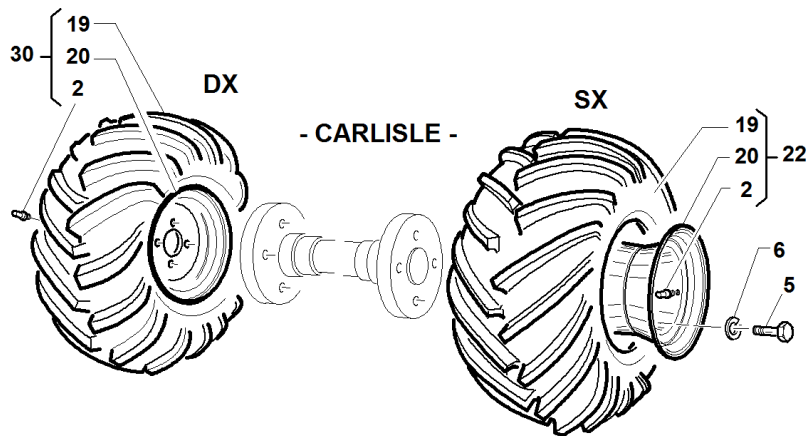
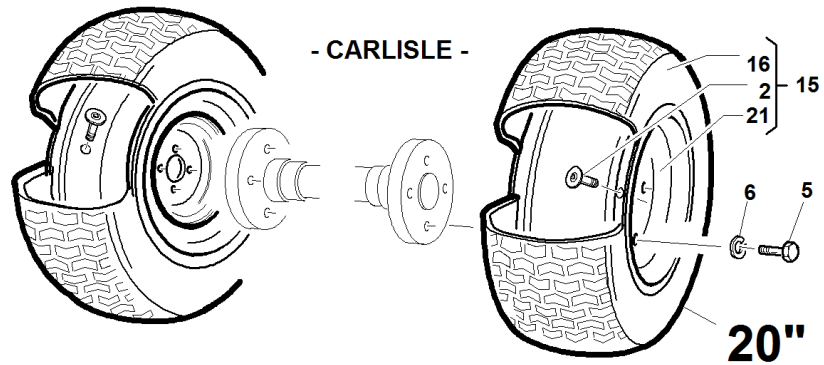
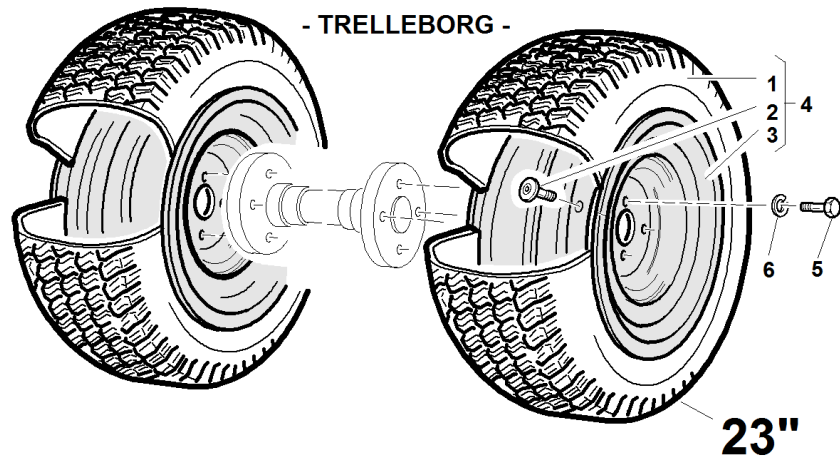




#	P/N	DESCR.
1	00777250024	SEAL WASHER AS 30X47X7
2	00777100014	KOYO BEARING 6006 30X55X13
3	00777304602	HOLLOW SHAFT
4	00777304603	PINION SHAFT Z=29
5	00777100015	BEARING 6005
6	95303170008	PINION SHAFT Z12
7	00111300015	SCREW TE M8X55
8	95303170009	SPACER
9	00777301001	DIFFERENTIAL
10	00777301006	SPLINED BUSHING
11	95303170002	PINION SHAFT Z12
12	00777100015	BEARING 6005
13	95303170007	COVER
14	00777250025	SEAL WASHER AS 35X55X10
15	95318110001	WHEEL AXLE
16	00777100024	BEARING CLA 6206 0X62X16
17	95303170004	CROWN Z=69
18	00111650028	SNAP RING D29 E
19	00777301011	RUNNER
20	00111150003	NUT M8
21	00111960004	GRUB M8X20
22	00777301012	DIFFERENTIAL LEVER
23	00777230001	OR RING 112
24	00111870005	PIN A 6X12
25	00111000094	SCREW TE M8X40
26	95303170010	RIGHT HALF GEAR CASE
27	00111000093	HEXAGON SCREW M8x20 UNI 5739
28	00111990099	"COVER FOR OIL EXHAUST 3/8""
29	00111990002	LEVEL WITHTROL SIDE DISCHARGE
30	95303170001	LEFT HALF GEAR CASE
31	95303170003	EXTENSION
32	00777270001	CLOSED CAP 62X7
33	95303170006	LEFT GEAR CASE
34	00111990004	PIPE-FITTING A 90°
35	00111990003	COVER VENTILATION 1/2 GAS
36	95001100000	DIFFERENTIAL LOCK LEVER
37	00111700006	PIN EL D.6X28
38	95001000021	DIFF. BLOCK. CABLE
39	95001000050	SPRING DIFF. LOCK
40	00777270007	CLOSED CAP 42X7
41	00777100051	KOYO BEARING 6205
42	95318110000	
43	95400200000	DIFFERENTIAL LOCK PEDAL
44	00111000071	SELF LOCKING NUT M8 UNI 7473
45	00111500009	WASHER 6.4X12.5X1.6
46	00111000114	"PIN ""R"" D.1,2"
47	00777100052	BEARING 25X52X15
48	00111650009	SNAP RING D.52 I
49	00777600117	"COPPER WASHER 1/2""
50	00111300074	SCREW M8X55
51	00111000082	NUT M8

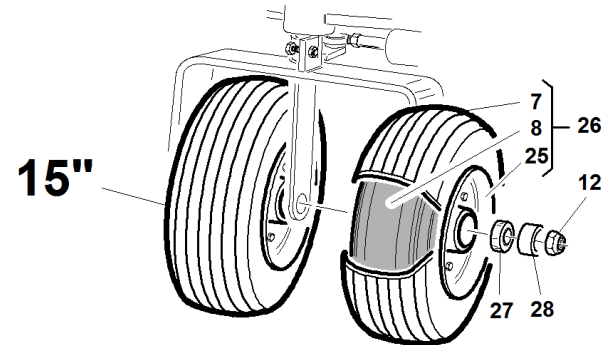
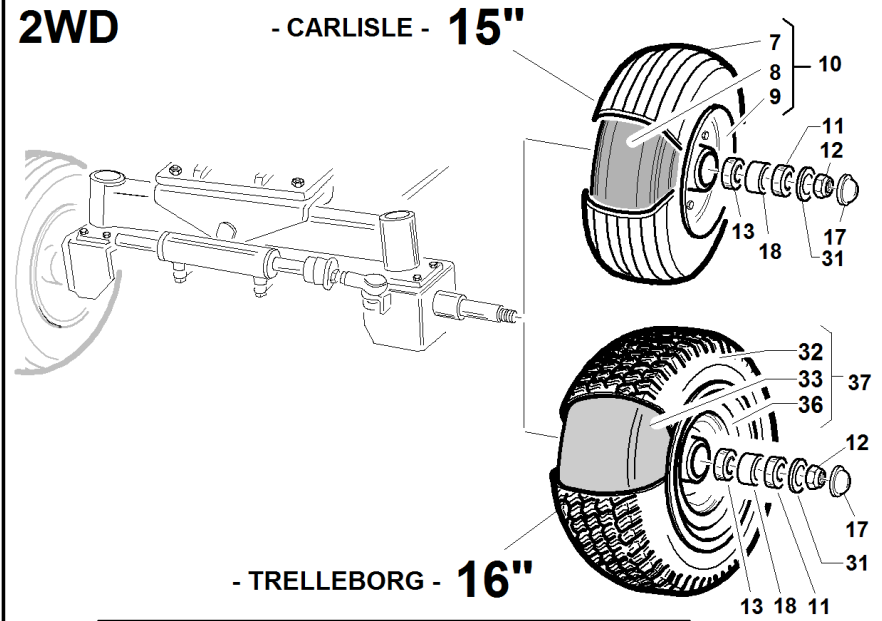
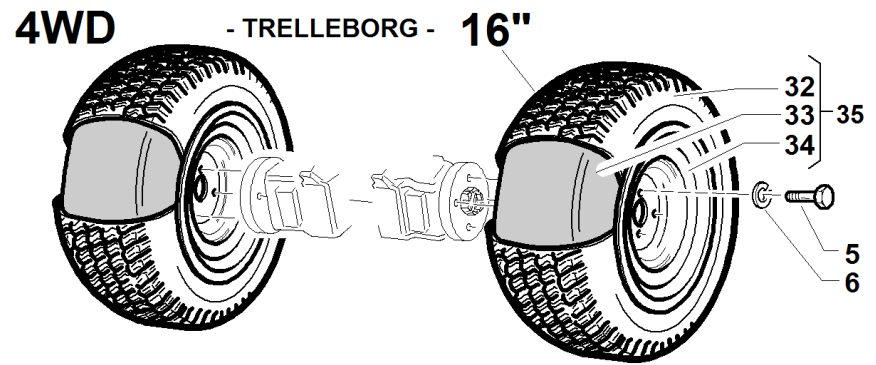
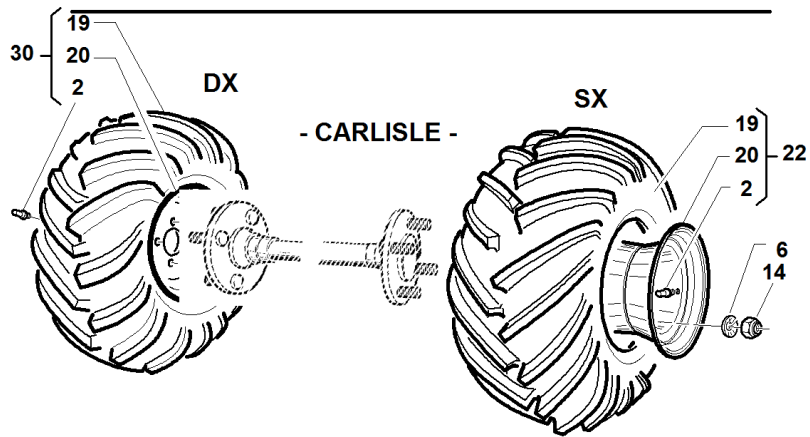
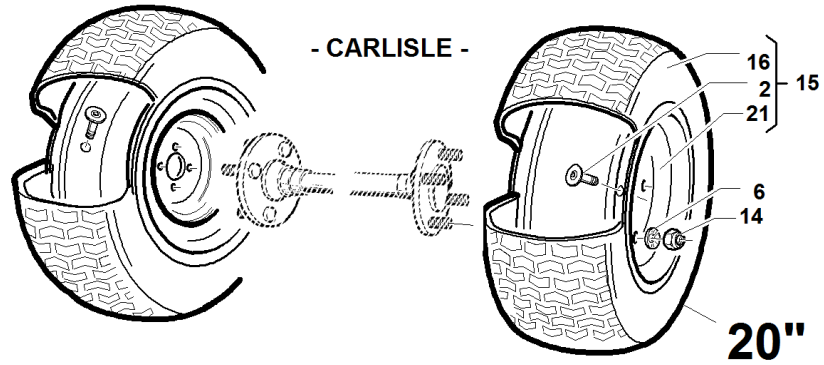
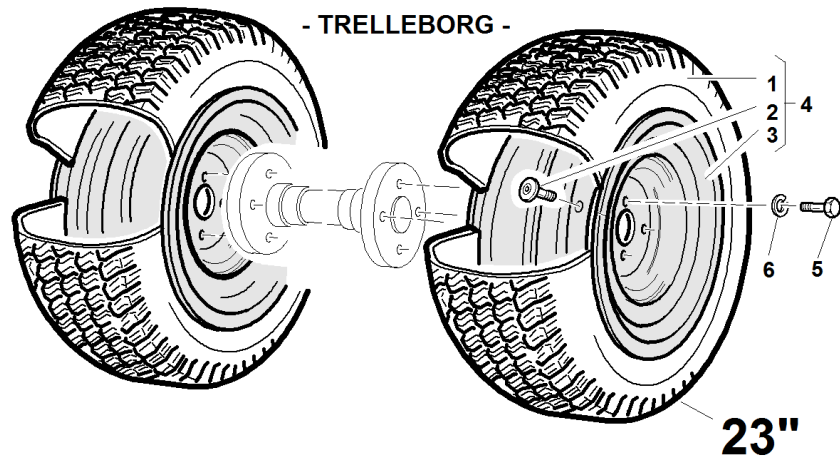


#	P/N	DESCR.
1	00777250003	SEAL WASHER BA 30X47X7
2	00777100014	KOYO BEARING 6006 30X55X13
3	00777304602	HOLLOW SHAFT
4	00777304603	PINION SHAFT Z=29
5	00777100015	BEARING 6005
6	00777301004	PINION SHAFT Z15
7	00111300015	SCREW TE M8X55
8	00777301005	SPACER
9	00777301001	DIFFERENTIAL
10	00777301006	SPLINED BUSHING
11	00777301007	PINION SHAFT Z13
12	00777100016	KOYO BEARING 6203 17x40x12
13	00777301008	FLAT COVER
14	00777250005	SEAL WASHER BASL 30X52X7
15	95599370000	COMPLETE AXLE SHAFT
16	00777100017	BEARING 6205
17	00777301010	CROWN Z69
18	00111650008	SNAP RING D.24 E
19	00777301011	RUNNER
20	00111150003	NUT M8
21	00111960004	GRUB M8X20
22	00777301012	DIFFERENTIAL LEVER
23	00777230001	OR RING 112
24	00111870004	PIN A 6X14
25	00111000094	SCREW TE M8X40
26	00777305702	RIGHT HALF GEAR CASE
27	00111000093	HEXAGON SCREW M8x20 UNI 5739
28	00111990099	"COVER FOR OIL EXHAUST 3/8""
29	00111990002	LEVEL WITHTROL SIDE DISCHARGE
30	00777305703	LEFT HALF GEAR CASE
31	00777301015	EXTENSION
32	00777270001	CLOSED CAP 62X7
33	00777305701	LEFT GEAR CASE
34	00111990004	PIPE-FITTING A 90°
35	00111990003	COVER VENTILATION 1/2 GAS
36	95001100000	DIFFERENTIAL LOCK LEVER
37	00111700006	PIN EL D.6X28
38	95001000021	DIFF. BLOCK. CABLE
39	95001000050	SPRING DIFF. LOCK
40	00777270007	CLOSED CAP 42X7
41	00111990102	LITTLE COLUMN M12x1.5x35
42	00777305700	GEAR BOX SET
43	95400200000	DIFFERENTIAL LOCK PEDAL
44	00111000071	SELF LOCKING NUT M8 UNI 7473
45	00111500009	WASHER 6.4X12.5X1.6
46	00111000114	"PIN ""R"" D.1,2"



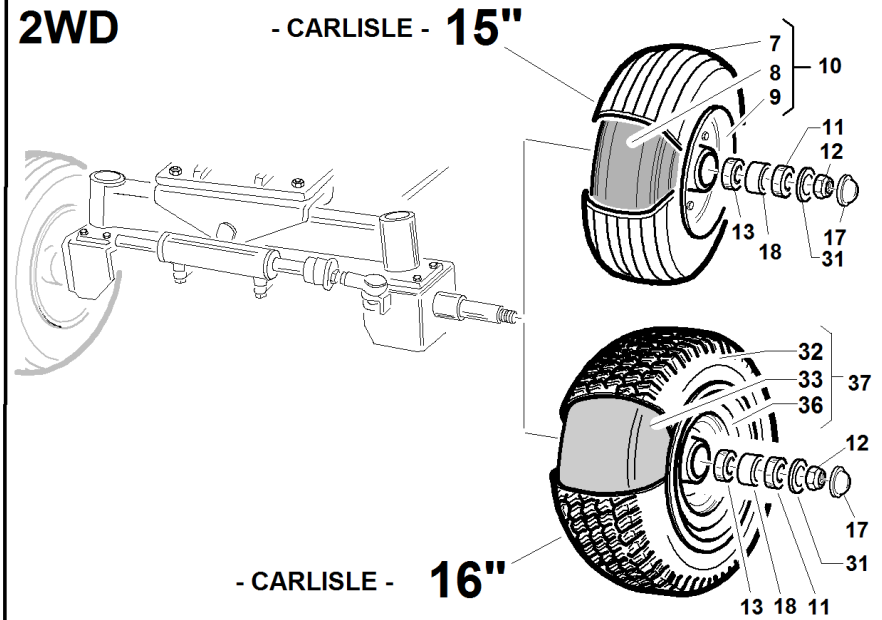
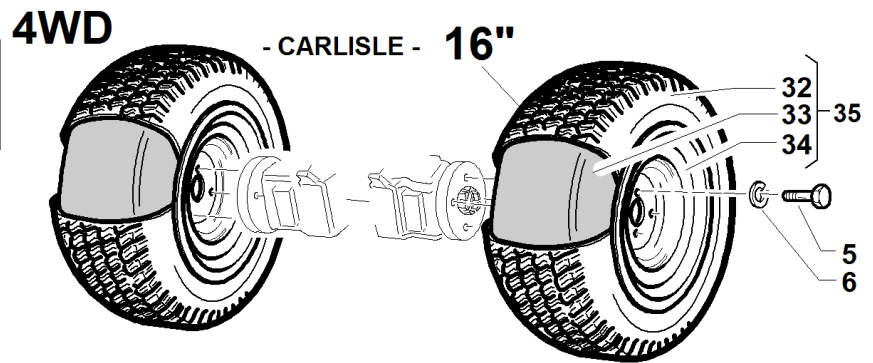
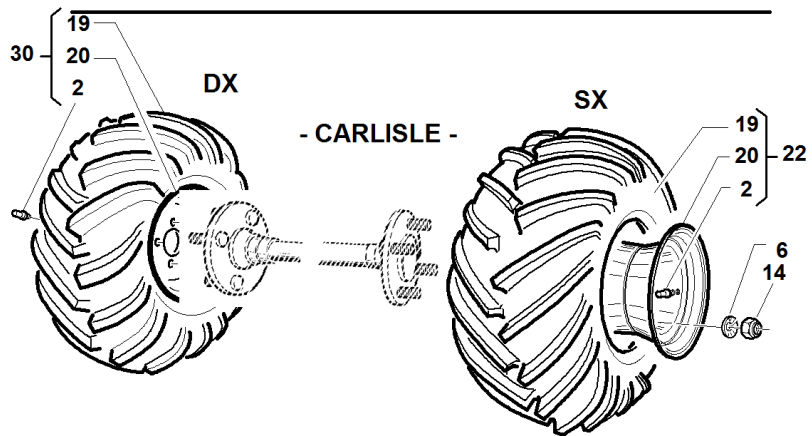
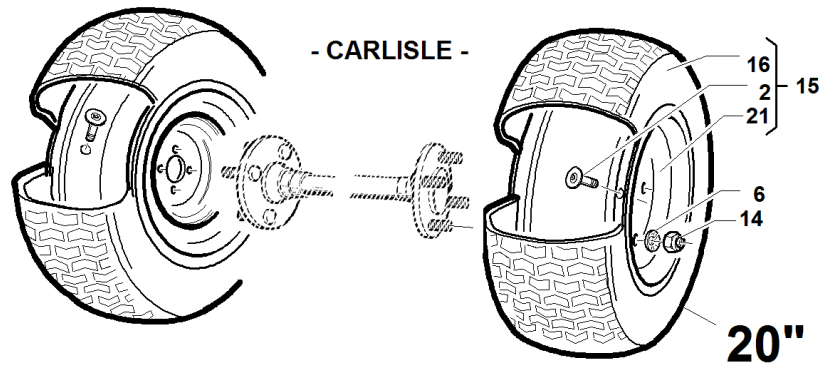
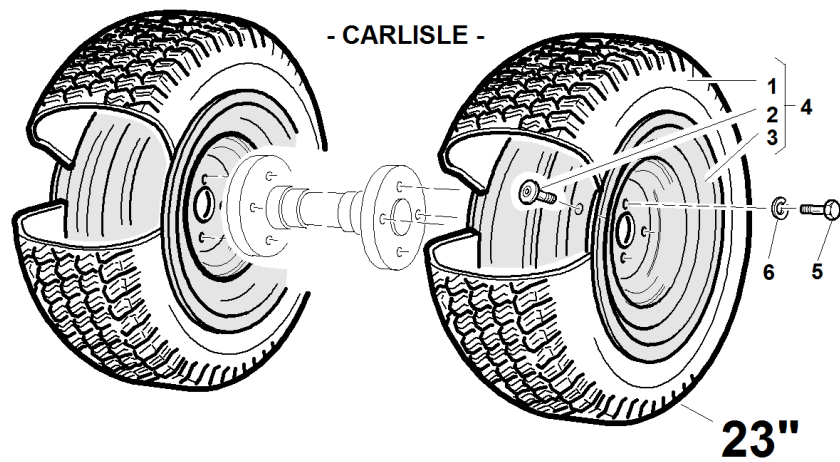
#	P/N	DESCR.
1	00111940037	TRELLEBORG TIRE 23X10.50-12
2	00111930006	TUBELESS VALVE TR413
3	95303130001	RIM 8.50X12
4	95409210000	23X10.50 WHEEL
5	00111300055	SCREW TE M12X1,25X25
6	00111550004	ELASTIC WASHER M12
7	00111940025	CARLISLE STRAIGHTRIB 15X6.00-6
8	00111930005	"INNER TUBE 15,6.00X6"" TR13"
9	95311121000	RIM 15x6.00-6
10	95311120000	WHEEL CARLISLE 15X6.00-6
11	00777100008	BEARING 6204 2RS 20x47x14
12	00111250011	SELF BL. NUT M14x1,5
13	00777100028	KOYO BEARING 6303 2RS
15	95318100000	WHEEL 20X10.00-8
16	00111940031	20X10.00-8 TIRE
17	00777270005	CAP D=47
18	95311121001	SPACER 21X30X35
19	00111940021	21x11.00-8 CLAWED TIRE
20	95175100000	"RIM 10.00 X 8"" L=266"
21	95318100001	6.50X8 RIM
22	95218110000	LEFT COMPLETE WHEEL 21x11.00-8
25	95046100001	"RIM 5,00X6""
26	95325120000	CARLISLE PG WHEEL 15X6.00-6
27	00777100005	KOYO BEARING 6202 2RS
28	95599000030	SPACER
30	95218100000	WHEEL DX21X11.00-8 CARLISLE
31	95303110004	SPACER D14.5XD35X3
32	00111940038	TRELLEBORG TIRE 16X7.50-8
33	00111930003	INNER TUBE 16.6.50X8
34	95409220001	"4WD 5.50X8"" RIM"
35	95409220000	4WD 16X7.50-8 WHEEL
36	95421110001	"2WD 5.50X8"" RIM"
37	95421110000	16x7.50-8 WHEEL



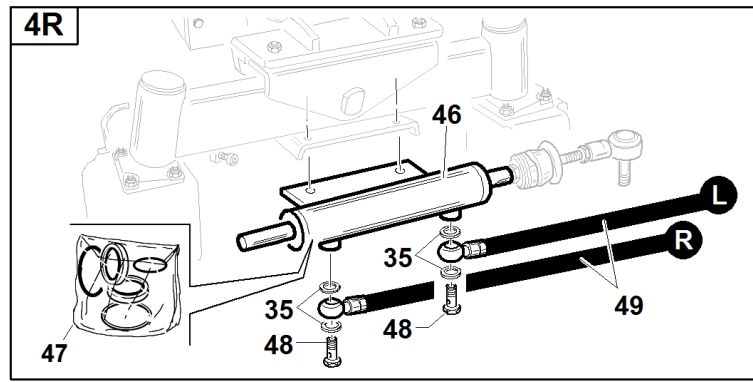
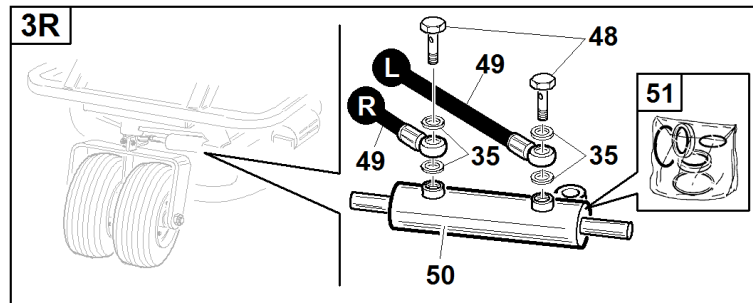
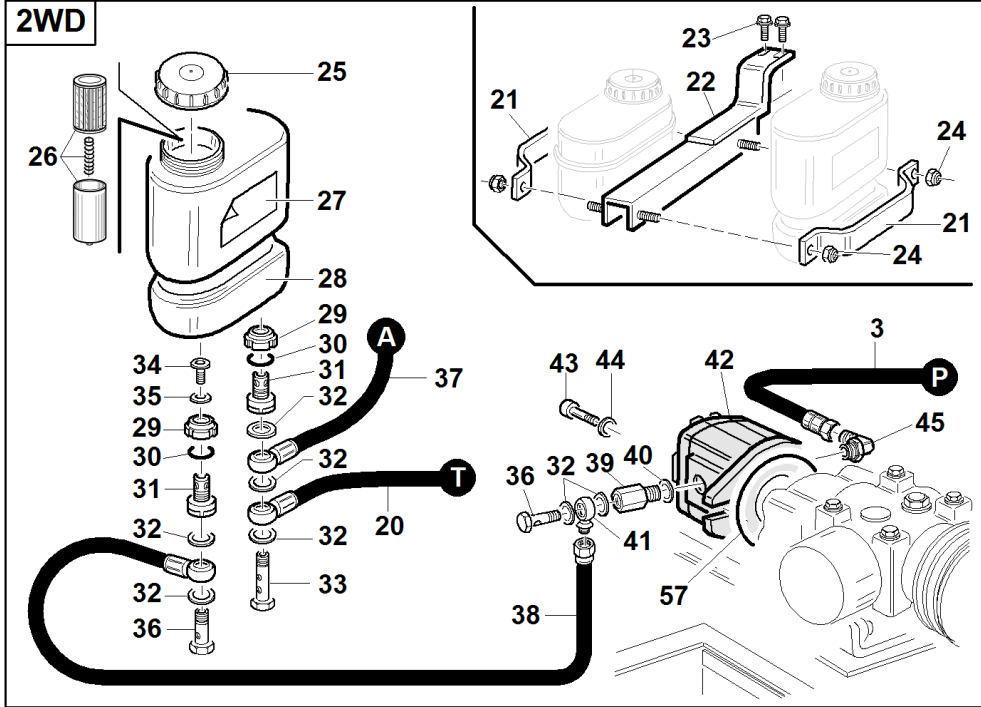
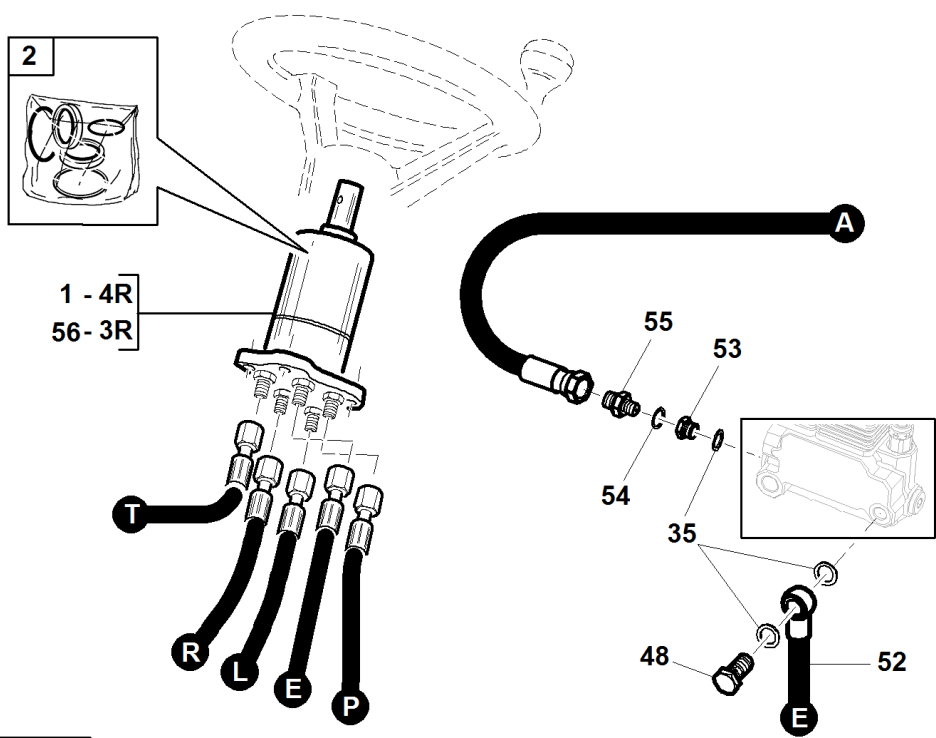
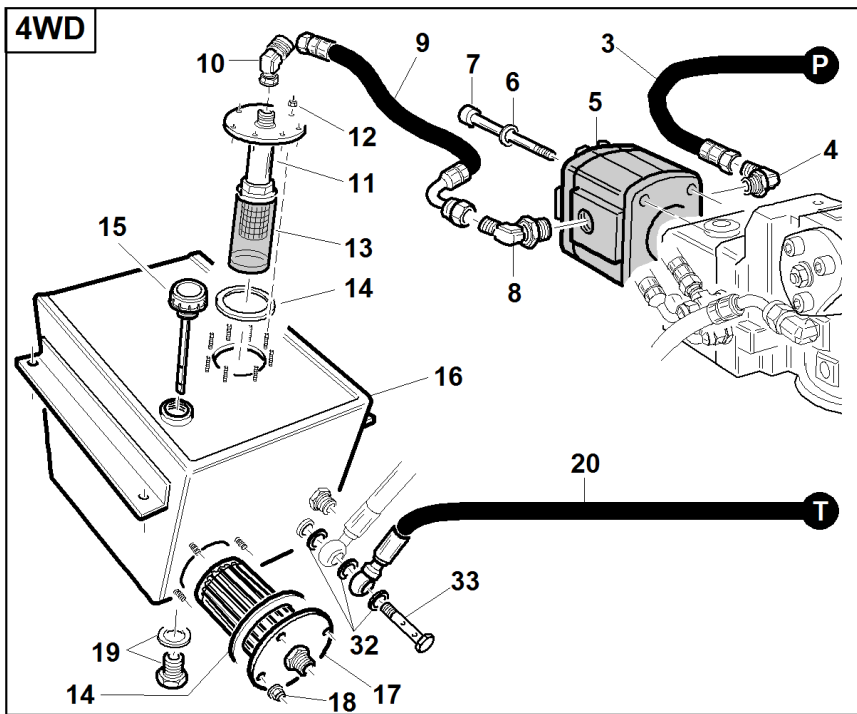




#	P/N	DESCR.
1	00111940037	TRELLEBORG TIRE 23X10.50-12
2	00111930006	TUBELESS VALVE TR413
3	95303130001	RIM 8.50X12
4	95409210000	23X10.50 WHEEL
5	00111300055	SCREW TE M12X1,25X25
6	00111550004	ELASTIC WASHER M12
7	00111940025	CARLISLE STRAIGHTRIB 15X6.00-6
8	00111930005	"INNER TUBE 15,6.00X6"" TR13"
9	95311121000	RIM 15x6.00-6
10	95311120000	WHEEL CARLISLE 15X6.00-6
11	00777100008	BEARING 6204 2RS 20x47x14
12	00111250011	SELF BL. NUT M14x1,5
13	00777100028	KOYO BEARING 6303 2RS
14	00111250009	SELF BL. NUT M12X1.5
15	95318100000	WHEEL 20X10.00-8
16	00111940031	20X10.00-8 TIRE
17	00777270005	CAP D=47
18	95311121001	SPACER 21X30X35
19	00111940021	21x11.00-8 CLAWED TIRE
20	95175100000	"RIM 10.00 X 8"" L=266"
21	95318100001	6.50X8 RIM
22	95218110000	LEFT COMPLETE WHEEL 21x11.00-8
25	95046100001	"RIM 5,00X6""
26	95325120000	CARLISLE PG WHEEL 15X6.00-6
27	00777100005	KOYO BEARING 6202 2RS
28	95599000030	SPACER
30	95218100000	WHEEL DX21X11.00-8 CARLISLE
31	95303110004	SPACER D14.5XD35X3
32	00111940038	TRELLEBORG TIRE 16X7.50-8
33	00111930003	INNER TUBE 16.6.50X8
34	95409220001	"4WD 5.50X8"" RIM"
35	95409220000	4WD 16X7.50-8 WHEEL
36	95421110001	"2WD 5.50X8"" RIM"
37	95421110000	16x7.50-8 WHEEL



#	P/N	DESCR.
1	00111940024	23X10,50-12 TIRE CARLISLE
2	00111930006	TUBELESS VALVE TR413
3	95303130001	RIM 8.50X12
4	95303130000	23X10.50-12 WHEEL
5	00111300055	SCREW TE M12X1,25X25
6	00111550004	ELASTIC WASHER M12
7	00111940025	CARLISLE STRAIGHTRIB 15X6.00-6
8	00111930005	"INNER TUBE 15,6.00X6"" TR13"
9	95311121000	RIM 15x6.00-6
10	95311120000	WHEEL CARLISLE 15X6.00-6
11	00777100008	BEARING 6204 2RS 20x47x14
12	00111250011	SELF BL. NUT M14x1,5
13	00777100028	KOYO BEARING 6303 2RS
14	00111250009	SELF BL. NUT M12X1.5
15	95318100000	WHEEL 20X10.00-8
16	00111940031	20X10.00-8 TIRE
17	00777270005	CAP D=47
18	95311121001	SPACER 21X30X35
19	00111940021	21x11.00-8 CLAWED TIRE
20	95175100000	"RIM 10.00 X 8"" L=266"
21	95318100001	6.50X8 RIM
22	95218110000	LEFT COMPLETE WHEEL 21x11.00-8
25	95046100001	"RIM 5,00X6""
26	95325120000	CARLISLE PG WHEEL 15X6.00-6
27	00777100005	KOYO BEARING 6202 2RS
28	95599000030	SPACER
30	95218100000	WHEEL DX21X11.00-8 CARLISLE
31	95303110004	SPACER D14.5XD35X3
32	00111940032	TURFMASTER 16X7.50-8 4PR TIRE
33	00111930003	INNER TUBE 16.6.50X8
34	95409180001	RIM 5.00X8
35	95409180000	WHEEL 16x7.50-8
36	95421100001	"5.00X8"" RIM"
37	95421100000	16x7.50-8 COMPLETE WHEEL

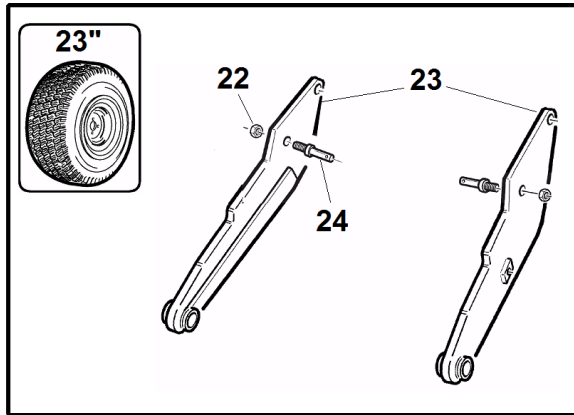
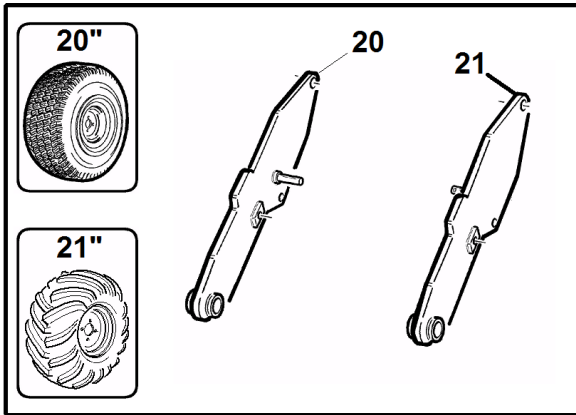
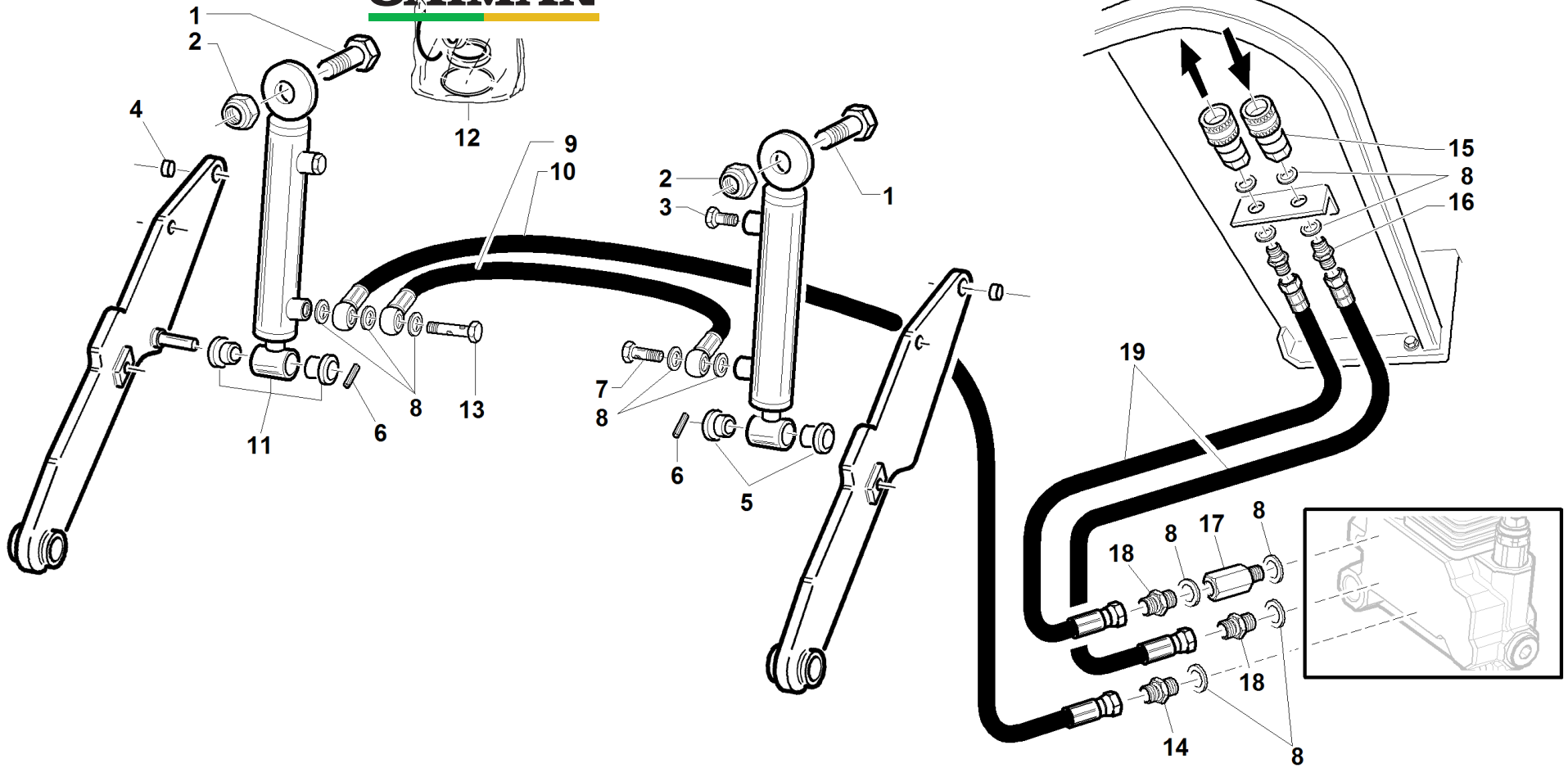


#	P/N	DESCR.
1	95303000027	HYDRAULIC STEERING SERVOCONTROL
2	95599620000	GASKET KIT
3	95301000025	HOSE
4	00777600115	MALE ELBOW 90° 3/8
5	95303000016	OIL PUMP
6	00111000087	WASHER P.8,4X15.6X1,5
7	00111300020	SCREW TE M8X70
8	00777600191	
9	95409100001	
10	00777600124	ADAPTER 90° M/M 1/2 ADJUSTABLE
11	95409120000	
12	00111000071	SELF LOCKING NUT M8 UNI 7473
13	92001000008	250 MICRON PLUNGED FILTER
14	95303000012	FILTER WASHER
15	00777600120	IN PRESSURE PLUG
16	95409110000	
17	95303100000	FILTER WITH FLANGE
18	00111250021	8MA METB NUT
19	00777600119	OIL DISCHARGING PLUG
20	95301000024	HOSE
21	PZ95042000005	OIL TANK CLAMP
22	PZ95060100000	OIL TANK SUPPORT
23	00111450003	SCREW WASHER M8X20
24	00111000166	SELF LOCKING NUT M6 UNI 7473
25	00111970056	OIL TANK PLUG
26	00777650044	FILTER CARTRIDGE
27	00555200123	TRANSFER PRINTING
28	94010480000	OIL TANK
29	00111000189	METAL RING 20X1
30	00777230004	OR RING 4081
31	94010000083	OIL TANK CONNECTOR
32	00777600003	WASHER COPPER 3/8
33	00777600133	DOUBLE CABLE BOLT
34	00777600099	CLOSER PLUG 1/4
35	00777600001	WASHER COPPER 1/4
36	00777600041	EMPTY SCREW 3/8
37	95042380008	HOSE R17 L=920
38	95303000055	HOSE
39	00777600085	REDUCTION M3/4-16 F3/8 L.28
40	00777230013	OR RING 119
41	00777600081	THREADED EYE 3/8 x 3/8
42	00777600145	PG/SR OIL PUMP
43	00111000062	SCREW ALLEN M10x25 8.8 UNI 5931
44	00111500013	WASHER 10,5x18x2 UNI 6592
45	00777600146	ADAPTER 90° 3/8 GAS ADJUSTABLE
46	95301000013	STEERING HYDRAULIC JACK
47	95599610000	OIL SEAL KIT
48	00777600040	SIMPLE CABLE BOLT
49	95301000022	HOSE
50	95097200000	DOUBLE STEM CYLINDER
51	95599170000	CYLINDER GASKETS KIT
52	95301000023	HOSE
53	00777600062	REDUCTION 3/8
54	00777600038	WASHER BONDED 1/4
55	00777600147	NIPPLE 1/4-3/8 2 ORIFICE

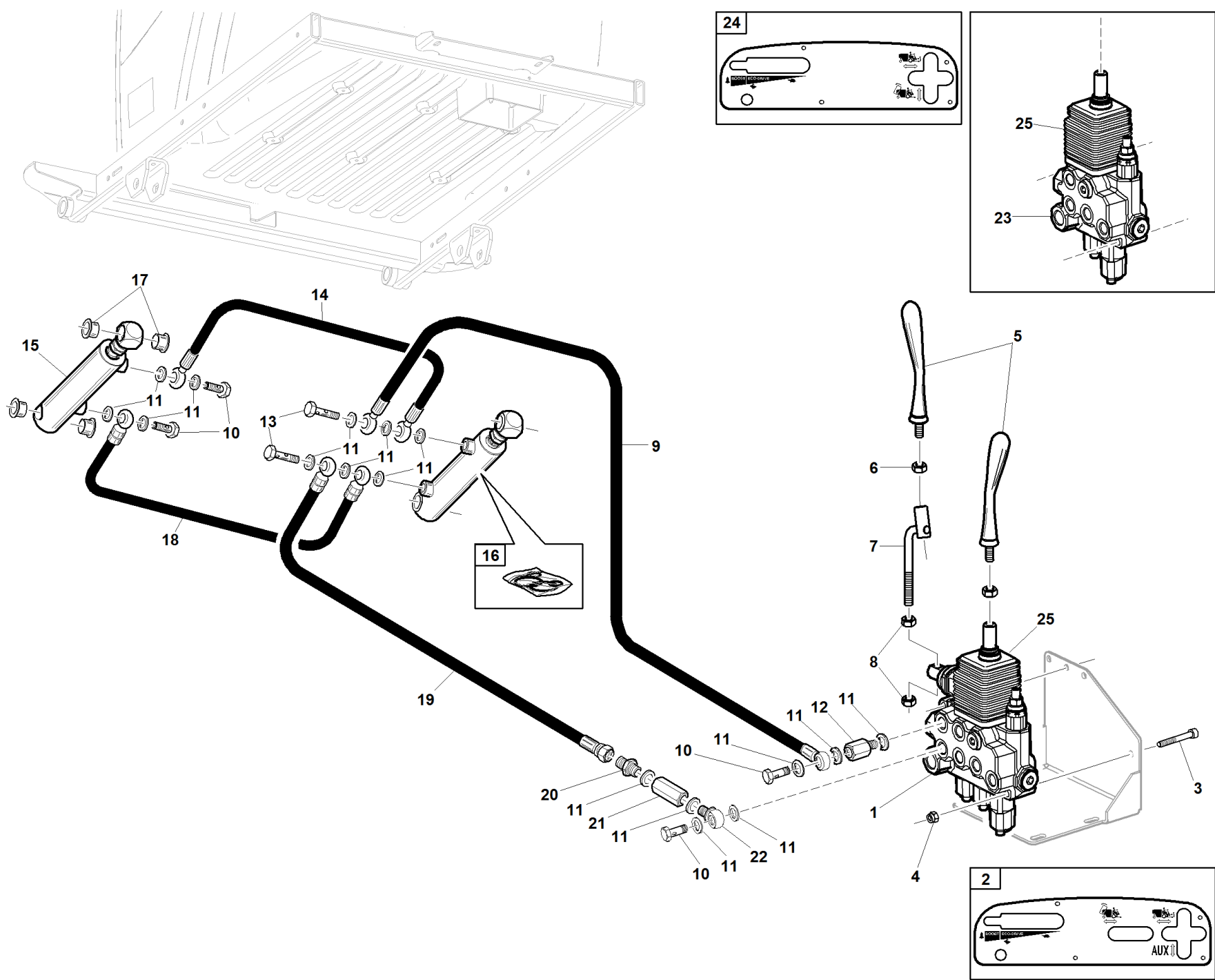
#	P/N	DESCR.
56	9532500003	HYDRAULIC STEERING SERVOCONTROL
57	00777230012	OR RING 3206



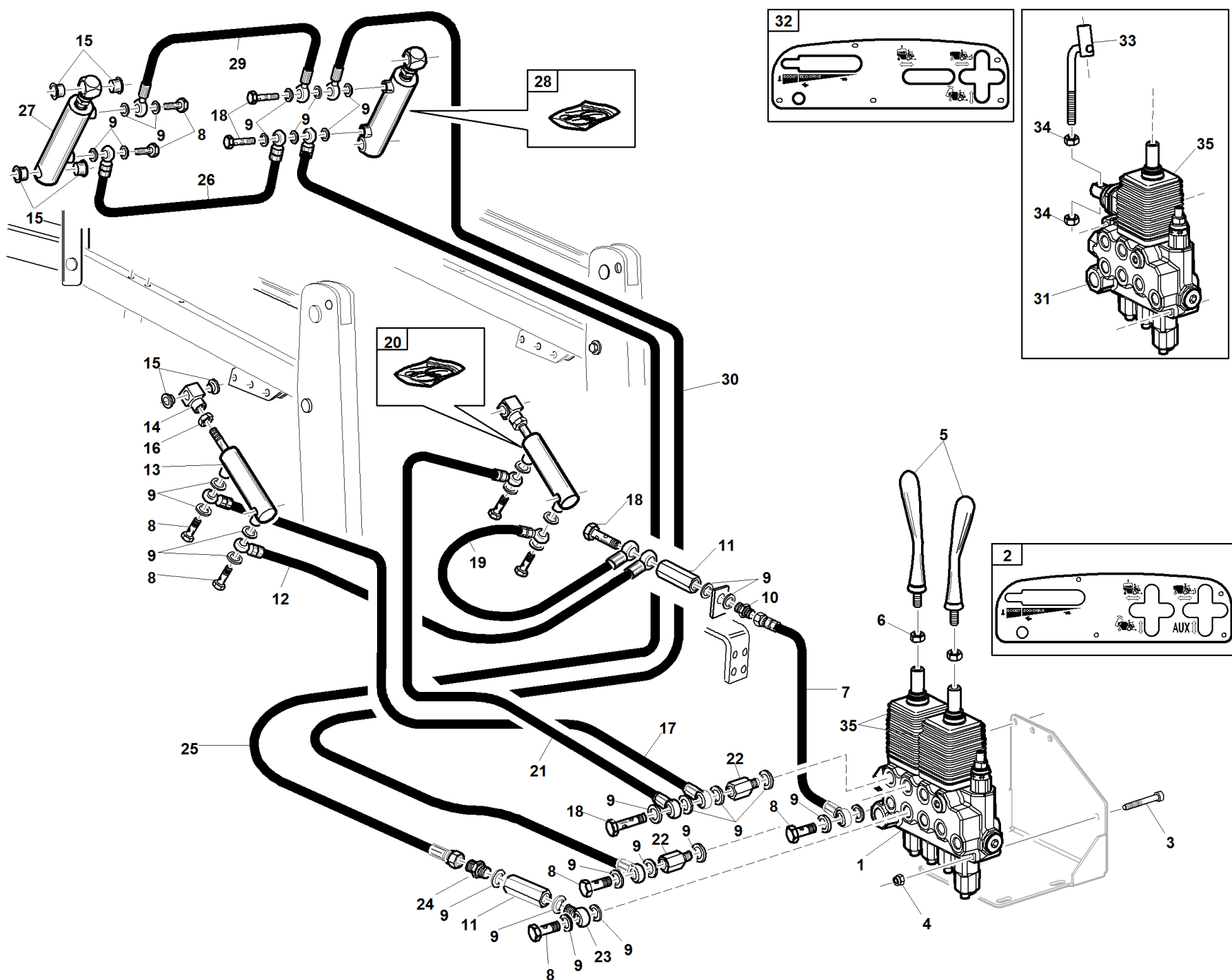
# CAIMAN



#	P/N	DESCR.
1	95060000001	FIXING SCREW CYLINDER
2	00111250008	SELF LOCKING NUT M12 UNI 7473
3	00777600051	VENT PLUG
4	00111530005	BUSHING FRIMET 18 20 10
5	00111530006	BUSHING 15X17X12
6	00111700006	PIN EL D.6X28
7	00777600040	SIMPLE CABLE BOLT
8	00777600001	WASHER COPPER 1/4
9	00777600034	HOSE R1 1/4 L=460 OC1/4 OC1/4
10	95303330001	HYDRAULIC PIPE 1/4 1SC OC1/4-F90° 1/4
11	95301350000	MOWERDECK LIFTING CYLINDER
12	95597110000	PG FRONT LIFTING CYLINDER OIL SEALS KIT
13	00777600039	DOUBLE CABLE BOLT
14	00777600122	NIPPLE 1/4 X 1/4 - 0,9 ORIFICE
15	00777600102	FEMALE RAPID ATTACHMENT 1/4
16	00777600100	EXTENSION M/M 1/4 L=35
17	00777600037	EXTENSION M/F 1/4 L=35
18	00777600043	NIPPLE 1/4 X 1/4
19	95301000027	HOSE 1/4
20	95311150000	RIGHT LIFT ARM COMPLETE
21	95311140000	LEFT LIFT ARM COMPLETE
22	00111150005	NUT M16X1.5
23	95319100000	"ATTACHMENT LIFTING ARM FOR 23"" WHEELS"
24	95301000032	CYLINDER SUPPORT PIN

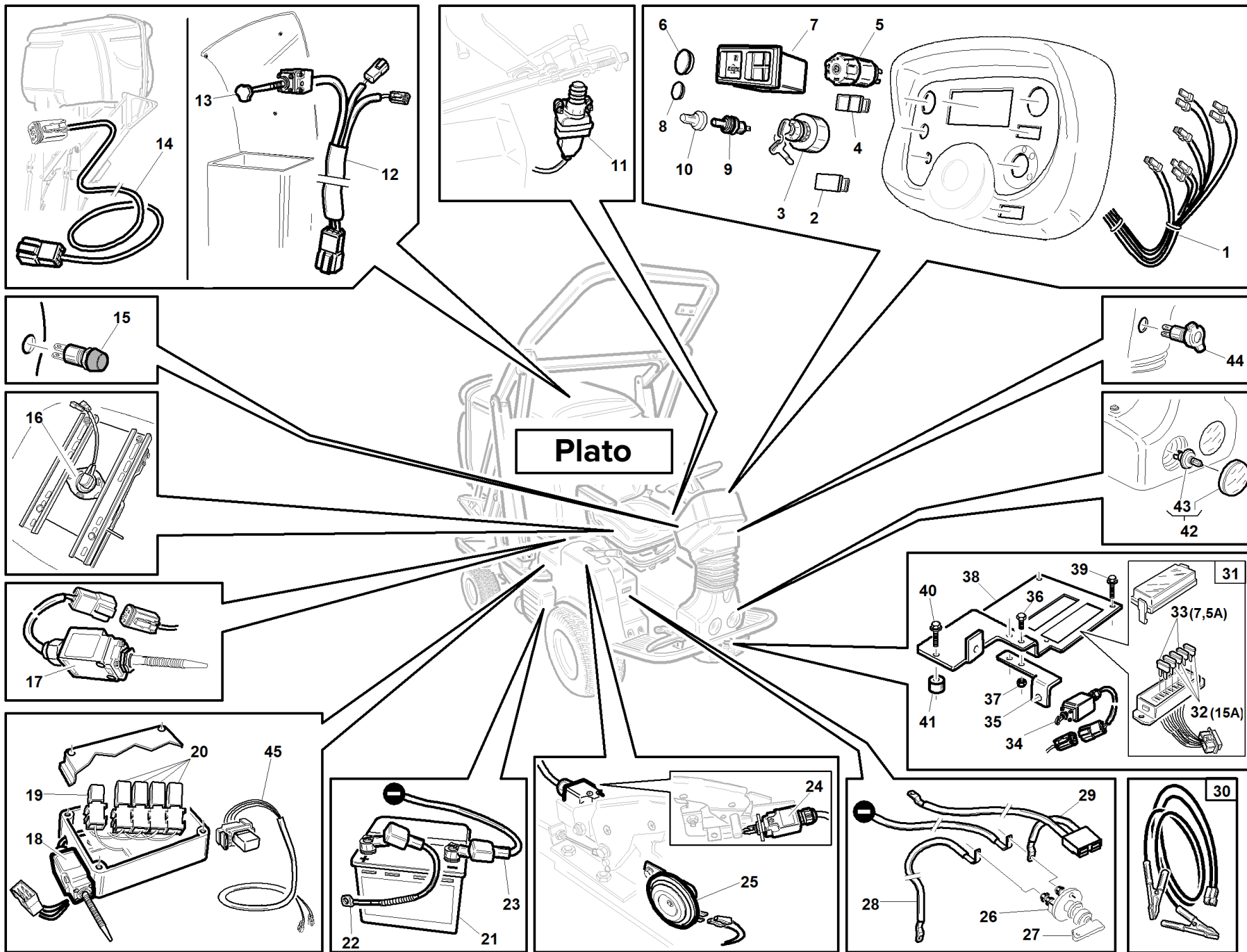


#	P/N	DESCR.
1	95414000002	3 FUNCTIONS VALVE BLOCK
2	95414000003	
3	00111400011	ALLEN SCREW M6X50
4	00111000166	SELF LOCKING NUT M6 UNI 7473
5	95400000017	VALVE BLOCK LEVER
6	00111150002	NUT M10 UNI 5588
7	95414110000	LEVER CONNECTING ROD TO VALVE BLOCK
8	00111000082	NUT M8
9	00777600086	HOSE R1 L=1850
10	00777600040	SIMPLE CABLE BOLT
11	00777600001	WASHER COPPER 1/4
12	00777600037	EXTENSION M/F 1/4 L=35
13	00777600039	DOUBLE CABLE BOLT
14	95400000003	
15	95411121000	ASSEMBLY COLLECTOR DUMPING CYLINDER
16	95598890000	
17	00111990017	BUSHING WITH EDGE TFF 20/16,5
18	95400000002	
19	95306000001	HYDRAULIC HOSE 1/4
20	00777600122	NIPPLE 1/4 X 1/4 - 0,9 ORIFICE
21	00777600138	EXTENSION 1/4 L=35
22	00777600108	"THREATED EYES 1/4 X 1/4
23	95416000001	2 FUNCTIONS VALVE BLOCK
24	95416000002	2 FUNCTIONS SILK-SCREEN PRINTED PANEL
25	95599000167	RUBBER SLEEVE FOR VALVE BLOCK WITH JOYSTICK

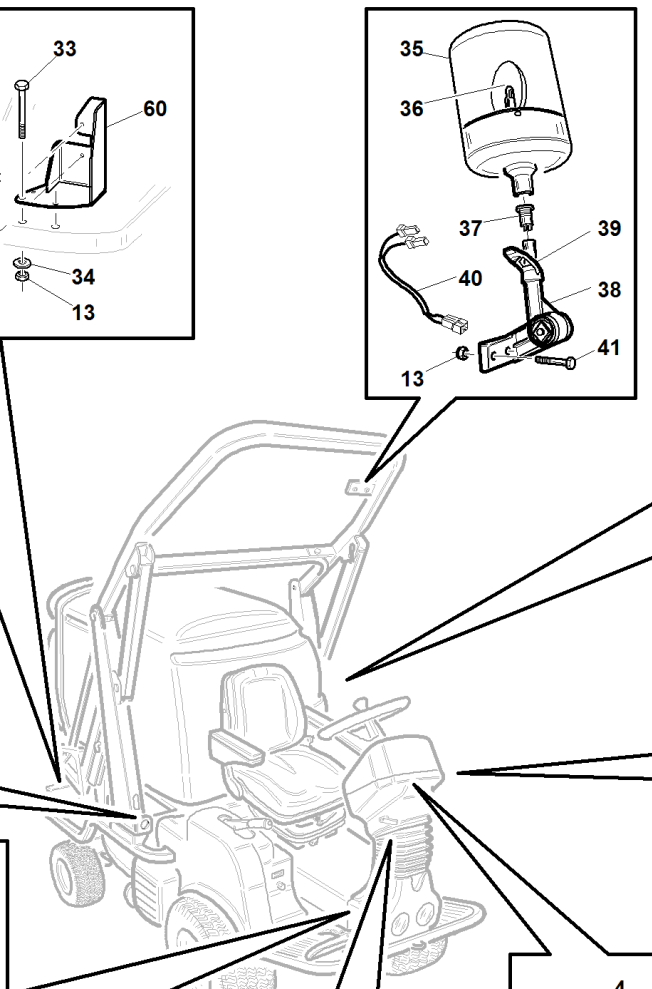
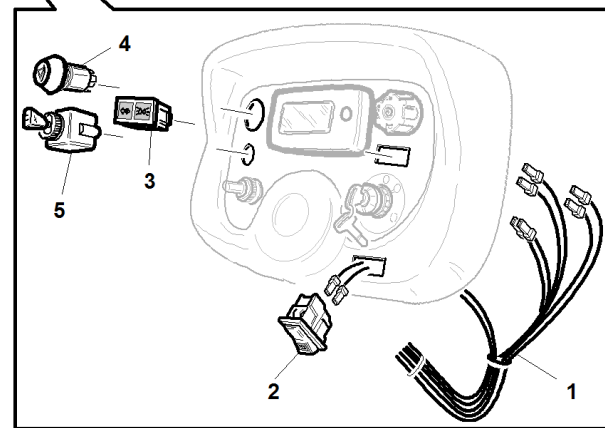
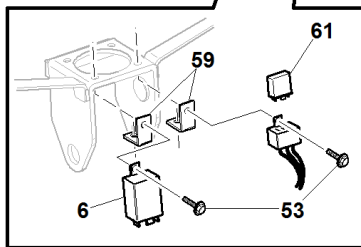
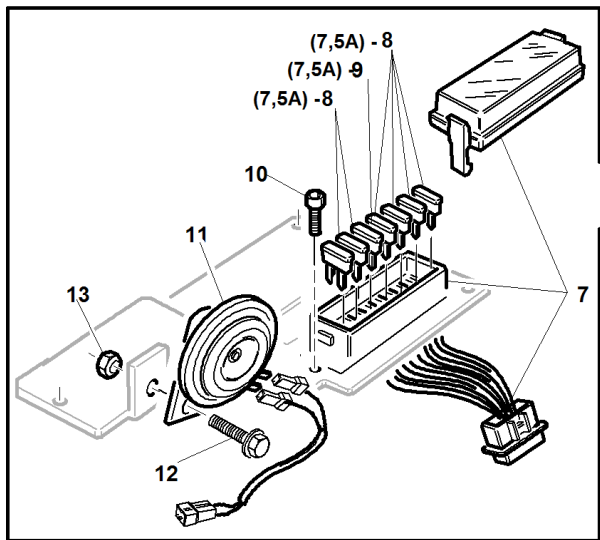
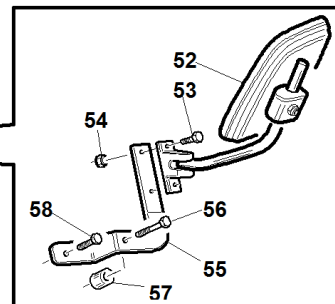
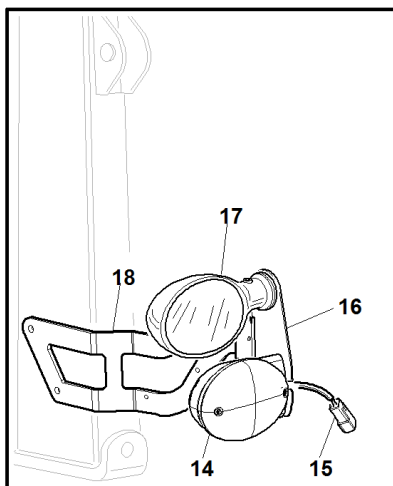
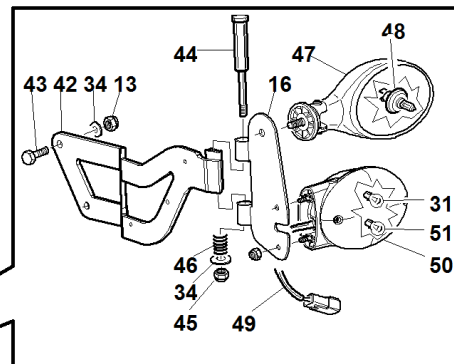
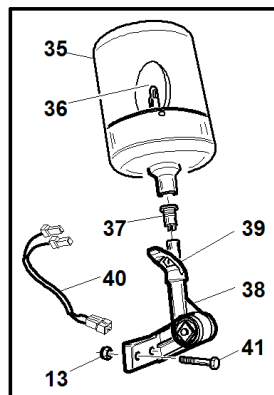
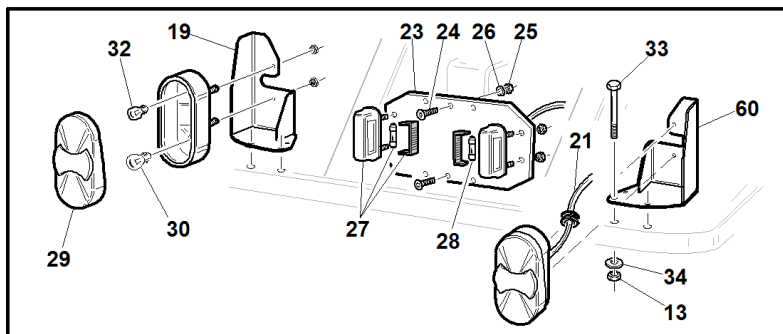


#	P/N	DESCR.
1	95411000007	4 FUNCTIONS VALVE BLOCK
2	95400000019	4 FUNCTIONS SILK-SCREEN PRINTED PANEL
3	00111400011	ALLEN SCREW M6X50
4	00111000166	SELF LOCKING NUT M6 UNI 7473
5	95400000017	VALVE BLOCK LEVER
6	00111150002	NUT M10 UNI 5588
7	00777600092	HOSE R1 L=350
8	00777600040	SIMPLE CABLE BOLT
9	00777600001	WASHER COPPER 1/4
10	00777600100	EXTENSION M/M 1/4 L=35
11	00777600094	VALVE
12	00777600088	HOSE R1 L=1730
13	95411130000	ASSEMBLY DIFFERENTIAL CYLINDER
14	91007000002	THREADED BUSH M16X1.5
15	00111990017	BUSHING WITH EDGE TFF 20/16,5
16	00111150005	NUT M16X1.5
17	00777600086	HOSE R1 L=1850
18	00777600039	DOUBLE CABLE BOLT
19	95128000002	HOSE R1 1/4 L=1250
20	95597400000	PG LIFTING CYLINDER OIL SEALS KIT
21	00777600087	HOSE R1 L=1350
22	00777600037	EXTENSION M/F 1/4 L=35
23	00777600108	"THREADED EYES 1/4 X 1/4
24	00777600122	NIPPLE 1/4 X 1/4 - 0,9 ORIFICE
25	95411000005	
26	95400000003	
27	95411121000	ASSEMBLY COLLECTOR DUMPING CYLINDER
28	95598900000	
29	91003110015	TUBE 1/4 1SC OC1/4-OC1/4 L=840 0°
30	95411000006	
31	95414000002	3 FUNCTIONS VALVE BLOCK
32	95412000001	3 FUNCTIONS (WITH HIGH DUMPING) PANEL
33	95414110000	LEVER CONNECTING ROD TO VALVE BLOCK
34	00111000082	NUT M8
35	95599000167	RUBBER SLEEVE FOR VALVE BLOCK WITH JOYSTICK



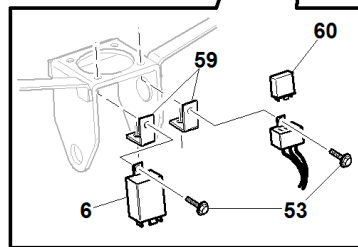
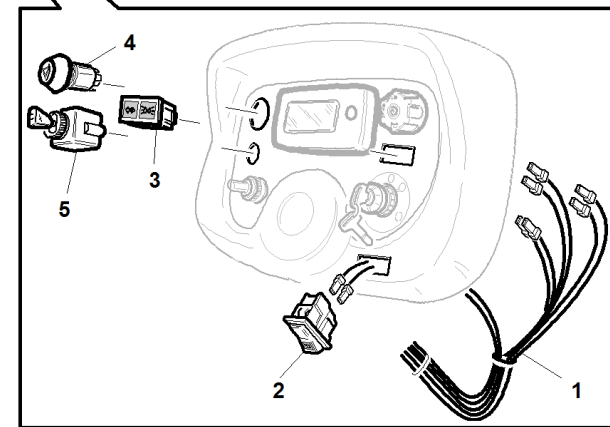
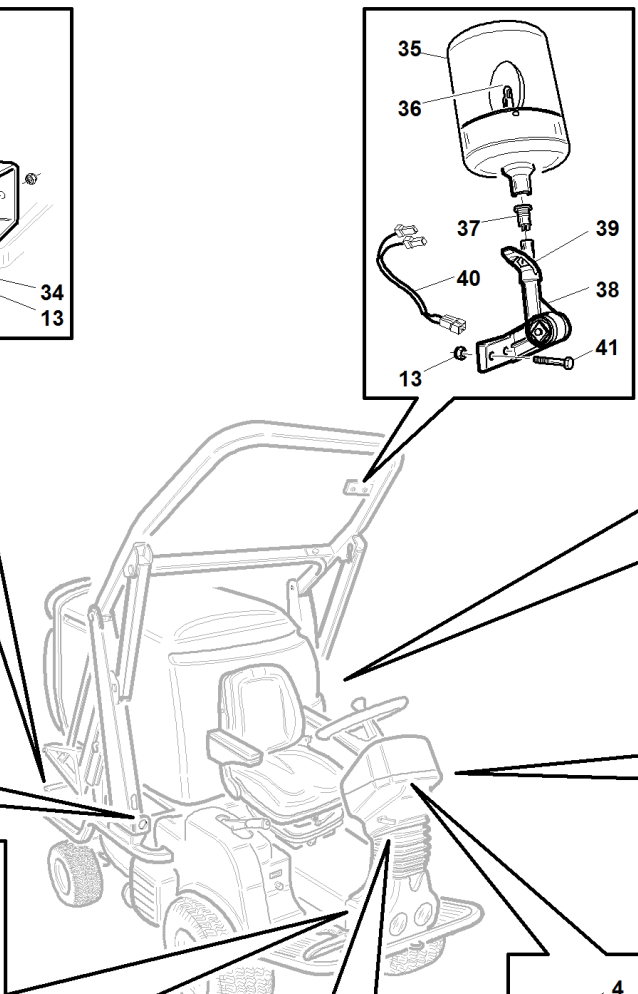
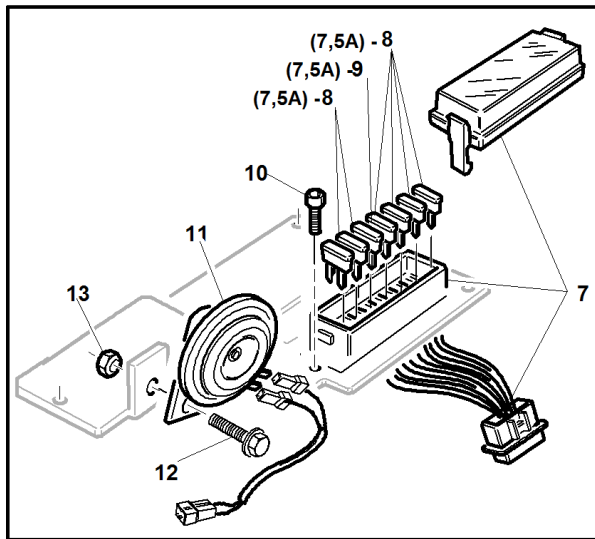
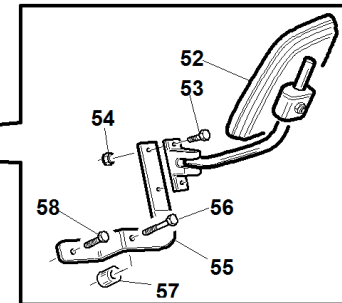
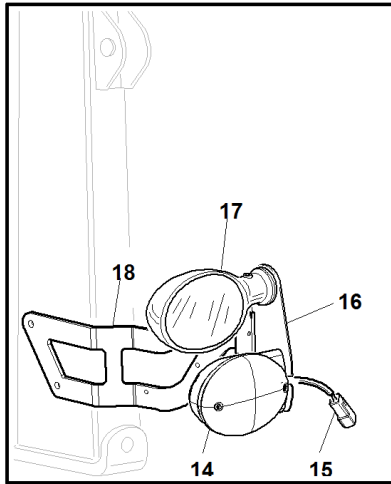
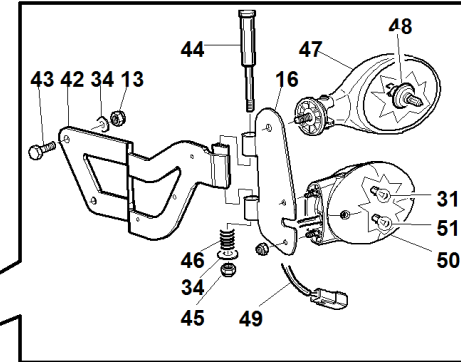
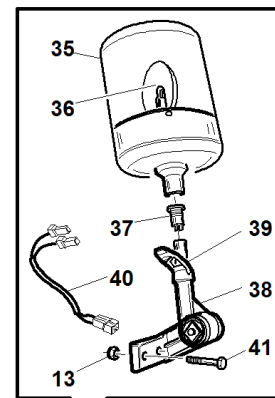
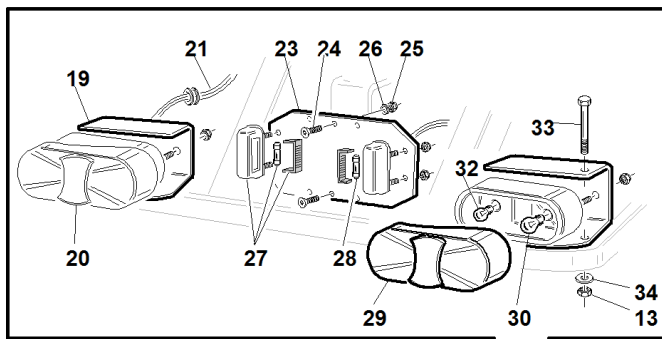


#	P/N	DESCR.
1	95417100001	
2	00111970159	PLUG
3	00777800222	START SWITCH
4	00111970162	PILOT LIGHT COVER
5	00777800143	LIGHT SWITCH AND HORN BUTTON
6	00111970157	BLACK PLUG
7	00777800157	HOUR COUNTER + PILOT LIGHTS PANEL
8	00111970158	BLACK PLUG
9	00777800108	SWITCH
10	00777800109	SWITCH CAP
11	00777800023	PUSH BUTTON 15117000
12	95401000001	FULL GRASS COLLECTOR MICRO SWITCH
13	00111970042	FEMALE KNOB THB20M4
14	95411000001	PG HIGH-DUMPING SYSTEM WIRED CABLE
15	00777800106	FASTON PUSH BUTTON
16	00777800174	PG SEAT SWITCH
17	91008110003	CLOSED HOOD WIRED MICRO SWITCH
18	95210150000	OPEN ENGINE SPACE WIRED SWITCH
19	00777800035	RELAY 12V 20/30 A
20	00777800059	MICRO RELAYS 12V
21	95599000036	BATTERY 12V 43A
22	00777800169	PG GASOLINE BATTERY POSIT.CABLE
23	95338130004	NEGATIVE BATTERY CABLE
24	95042510000	PARK BRAKE WIRED SWITCH
25	00777800022	HORN 12V
26	00777800198	BATTERY SWITCH
27	00777800203	BATTERY DISCONNECTION KEY
28	95332120001	DEAD GROUND CABLE
29	95338130003	WIRED EMERGENCY BATTERY PLUG
30	92001290005	WIRED BATTERY PLUG
31	95210140000	FUSE WIRE HARNESS/STARTSWITCH
32	00777800080	BLADE FUSE 15A
33	00777800078	BLADE FUSE 7,5 AMP
34	95410140002	PARKING BRAKE ADVISE MICRO SWITCH
35	95301000030	STOP SWITCH SUPPORT
36	00111450002	SCREW WASHER M8X30
37	00111000166	SELF LOCKING NUT M6 UNI 7473
38	95301000012	PEDAL SUPPORT
39	00111000059	FAKE SCREW/WASH. M8X14
40	00111450005	SCREW/W M6X16
41	95301000004	SPACER 12X25 L=15
42	00777800137	PROJECTOR
43	95599000021	LAMP WITH SUPPORT
44	00777800107	AUXILIARY SOCKET
45	95599000222	STARTER HARNESS KIT FOR PG 230



#	P/N	DESCR.
1	95248100001	ROAD USE HARNESS FOR PG
2	00777800145	LAMP SWITCH
3	00777800141	DIRECTION INDICATOR TELLTALE
4	00777800144	EMERGENCY LIGHT SWITCH
5	00777800142	TURN INDICATOR SWITCH
6	00777800171	INTERMITTENCE 12V-47/180W
7	95162201202	FUSE BOX
8	00777800078	BLADE FUSE 7,5 AMP
9	00777800079	BLADE FUSE 10A
10	00111400028	ALLEN SCREW M5X14
11	00777800022	HORN 12V
12	00111450003	SCREW WASHER M8X20
13	00111000071	SELF LOCKING NUT M8 UNI 7473
14	95599000070	FRONT LIGHT RIGHT ARROW+PARKING LIGHT
15	95233101001	
16	95233130000	
17	95599000072	LIGHT
18	95233120000	
19	95272000001	RIGHT REAR LAMP SUPPORT
20	95599000082	REAR LAMP
21	95233101201	
23	95162000004	PLATE SUPPORT
24	00111350023	SCREW TSPEI M6X20
25	00111000166	SELF LOCKING NUT M6 UNI 7473
26	00111500009	WASHER 6.4X12.5X1.6
27	00777802000	PLATE LIGHT
28	00777800181	BULB 12V C5W
29	95599000077	REAR LIGHT GLASS
30	00777800226	LAMP 12V PY21W
31	00777800178	BULB 12V P21W
32	00777800179	BULB 12V P21/5W
33	00111300027	HEX SOCKET HEAD CAP SCREW M8X60 UNI 5737
34	00111000087	WASHER P.8,4X15.6X1,5
35	00777802800	ROTATING LAMP
36	00777800180	BULB H1 12V 55W
37	00777801401	LAMP CONNECTOR
38	00111971100	LAMP SUPPORT
39	00777801402	LAMP PLASTIC CAP
40	95233100002	FLASHING BEACON HARNESS
41	00111000145	SCREW TE M8 X 35
42	95233110000	
43	00111300008	SCREW TE M8X25
44	92111000002	HEADLAMPS SUPPORT PIN
45	00111000095	SELF BLO. NUT M8
46	95001000031	PTO CLUTCH SPRING
47	95599000073	"LEFT LIGHT
48	00777800225	BULB H7 12V 55W
49	95233101101	
50	95599000071	FRONT LIGHT LEFT ARROW +PARKING LIGHT
51	00777800177	BULB 12V R5W
52	00111970154	LEFT REARVIEW MIRROR
53	00111000137	SCREW TE M6X25
54	00111000035	SELF BLOC. NUT M6
55	95248000001	LEFT REARVIEW MIRROR SUPPORT
56	00111300069	

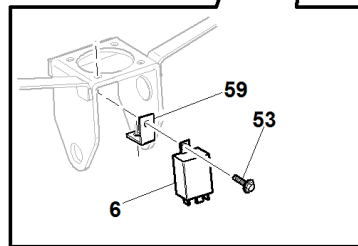
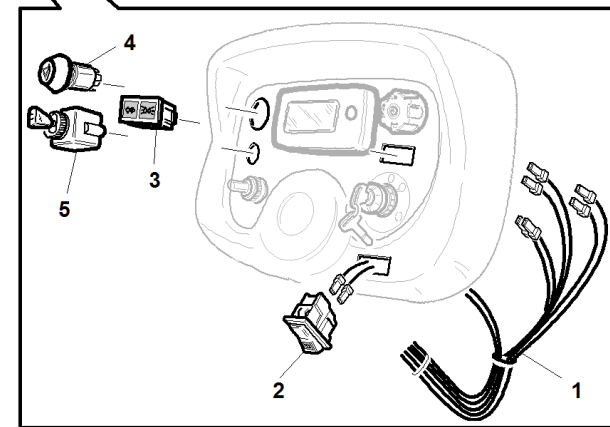
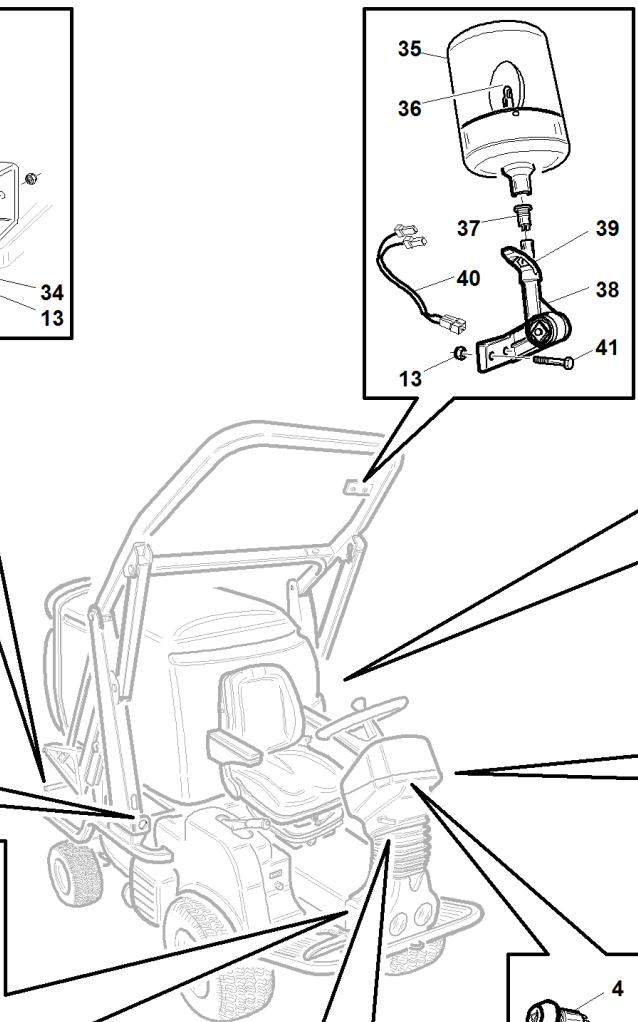
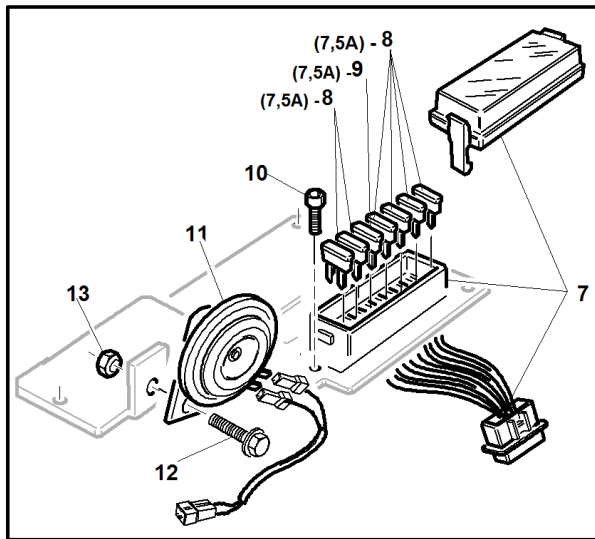
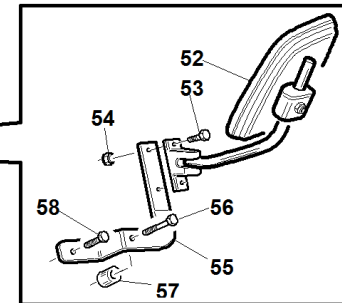
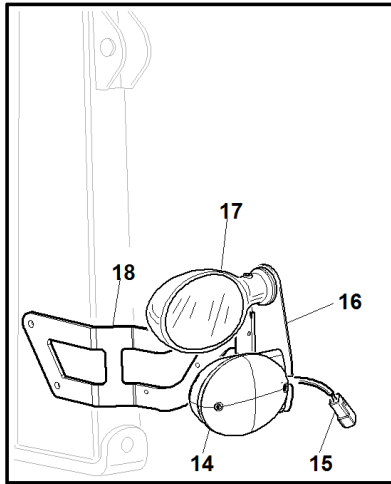
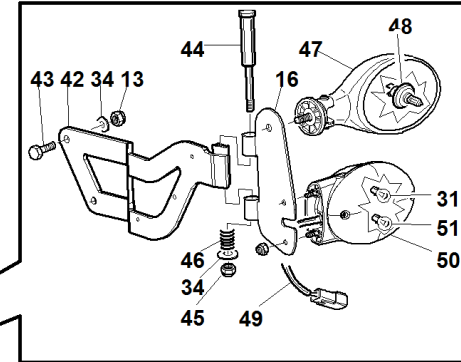
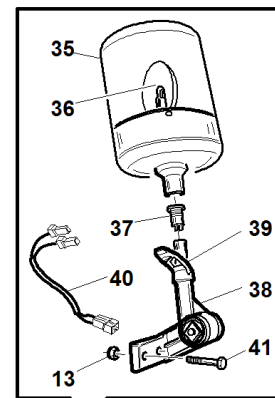
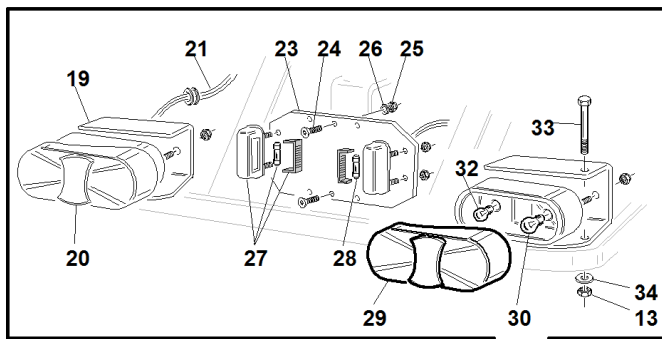
#	P/N	DESCR.
57	95248000002	SPACER FOR REARVIEW MIRROR SUPPORT
58	00111000093	HEXAGON SCREW M8x20 UNI 5739
59	92001360000	UPPER TERMINAL BOARD SUPP.
60	95272000002	LEFT REAR LAMP SUPPORT
61	00777800339	MICRO RELAYS 12V (WITH DIODE)





#	P/N	DESCR.
1	95248100001	ROAD USE HARNESS FOR PG
2	00777800145	LAMP SWITCH
3	00777800141	DIRECTION INDICATOR TELLTALE
4	00777800144	EMERGENCY LIGHT SWITCH
5	00777800142	TURN INDICATOR SWITCH
6	00777800171	INTERMITTENCE 12V-47/180W
7	95162201202	FUSE BOX
8	00777800078	BLADE FUSE 7,5 AMP
9	00777800079	BLADE FUSE 10A
10	00111400028	ALLEN SCREW M5X14
11	00777800022	HORN 12V
12	00111450003	SCREW WASHER M8X20
13	00111000071	SELF LOCKING NUT M8 UNI 7473
14	95599000070	FRONT LIGHT RIGHT ARROW+PARKING LIGHT
15	95233101001	
16	95233130000	
17	95599000072	LIGHT
18	95233120000	
19	95233000002	REAR LAMP SUPPORT
20	95599000082	REAR LAMP
21	95233101201	
23	95162000004	PLATE SUPPORT
24	00111350023	SCREW TSPEI M6X20
25	00111000166	SELF LOCKING NUT M6 UNI 7473
26	00111500009	WASHER 6.4X12.5X1.6
27	00777802000	PLATE LIGHT
28	00777800181	BULB 12V C5W
29	95599000077	REAR LIGHT GLASS
30	00777800226	LAMP 12V PY21W
31	00777800178	BULB 12V P21W
32	00777800179	BULB 12V P21/5W
33	00111300027	HEX SOCKET HEAD CAP SCREW M8X60 UNI 5737
34	00111000087	WASHER P.8,4X15.6X1,5
35	00777802800	ROTATING LAMP
36	00777800180	BULB H1 12V 55W
37	00777801401	LAMP CONNECTOR
38	00111971100	LAMP SUPPORT
39	00777801402	LAMP PLASTIC CAP
40	95233100002	FLASHING BEACON HARNESS
41	00111000145	SCREW TE M8 X 35
42	95233110000	
43	00111300008	SCREW TE M8X25
44	92111000002	HEADLAMPS SUPPORT PIN
45	00111000095	SELF BLO. NUT M8
46	95001000031	PTO CLUTCH SPRING
47	95599000073	"LEFT LIGHT
48	00777800225	BULB H7 12V 55W
49	95233101101	
50	95599000071	FRONT LIGHT LEFT ARROW +PARKING LIGHT
51	00777800177	BULB 12V R5W
52	00111970154	LEFT REARVIEW MIRROR
53	00111000137	SCREW TE M6X25
54	00111000035	SELF BLOC. NUT M6
55	95248000001	LEFT REARVIEW MIRROR SUPPORT
56	00111300069	

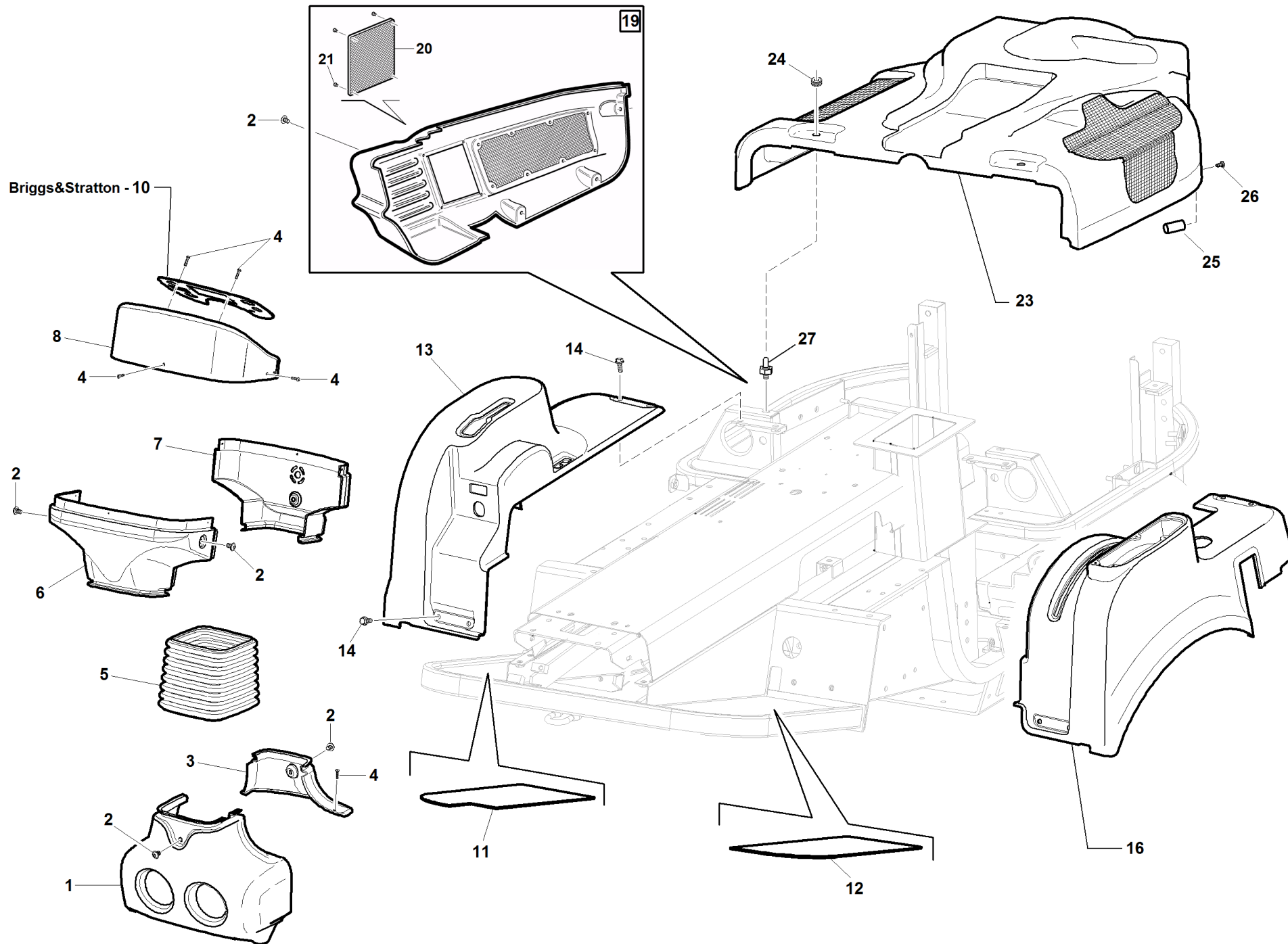
#	P/N	DESCR.
57	95248000002	SPACER FOR REARVIEW MIRROR SUPPORT
58	00111000093	HEXAGON SCREW M8x20 UNI 5739
59	92001360000	UPPER TERMINAL BOARD SUPP.
60	00777800339	MICRO RELAYS 12V (WITH DIODE)



#	P/N	DESCR.
1	95233100001	ROAD USE HARNESS FOR PG
2	00777800145	LAMP SWITCH
3	00777800141	DIRECTION INDICATOR TELLTALE
4	00777800144	EMERGENCY LIGHT SWITCH
5	00777800142	TURN INDICATOR SWITCH
6	00777800171	INTERMITTENCE 12V-47/180W
7	95162201202	FUSE BOX
8	00777800078	BLADE FUSE 7,5 AMP
9	00777800079	BLADE FUSE 10A
10	00111400028	ALLEN SCREW M5X14
11	00777800022	HORN 12V
12	00111450003	SCREW WASHER M8X20
13	00111000071	SELF LOCKING NUT M8 UNI 7473
14	95599000070	FRONT LIGHT RIGHT ARROW+PARKING LIGHT
15	95233101001	
16	95233130000	
17	95599000072	LIGHT
18	95233120000	
19	95233000002	REAR LAMP SUPPORT
20	95599000082	REAR LAMP
21	95233101201	
23	95162000004	PLATE SUPPORT
24	00111350023	SCREW TSPEI M6X20
25	00111000166	SELF LOCKING NUT M6 UNI 7473
26	00111500009	WASHER 6.4X12.5X1.6
27	00777802000	PLATE LIGHT
28	00777800181	BULB 12V C5W
29	95599000077	REAR LIGHT GLASS
30	00777800226	LAMP 12V PY21W
31	00777800178	BULB 12V P21W
32	00777800179	BULB 12V P21/5W
33	00111300027	HEX SOCKET HEAD CAP SCREW M8X60 UNI 5737
34	00111000087	WASHER P.8,4X15.6X1,5
35	00777802800	ROTATING LAMP
36	00777800180	BULB H1 12V 55W
37	00777801401	LAMP CONNECTOR
38	00111971100	LAMP SUPPORT
39	00777801402	LAMP PLASTIC CAP
40	95233100002	FLASHING BEACON HARNESS
41	00111000145	SCREW TE M8 X 35
42	95233110000	
43	00111300008	SCREW TE M8X25
44	92111000002	HEADLAMPS SUPPORT PIN
45	00111000095	SELF BLO. NUT M8
46	95001000031	PTO CLUTCH SPRING
47	95599000073	"LEFT LIGHT
48	00777800225	BULB H7 12V 55W
49	95233101101	
50	95599000071	FRONT LIGHT LEFT ARROW +PARKING LIGHT
51	00777800177	BULB 12V R5W
52	00111970154	LEFT REARVIEW MIRROR
53	00111000137	SCREW TE M6X25
54	00111000035	SELF BLOC. NUT M6
55	95248000001	LEFT REARVIEW MIRROR SUPPORT
56	00111300069	

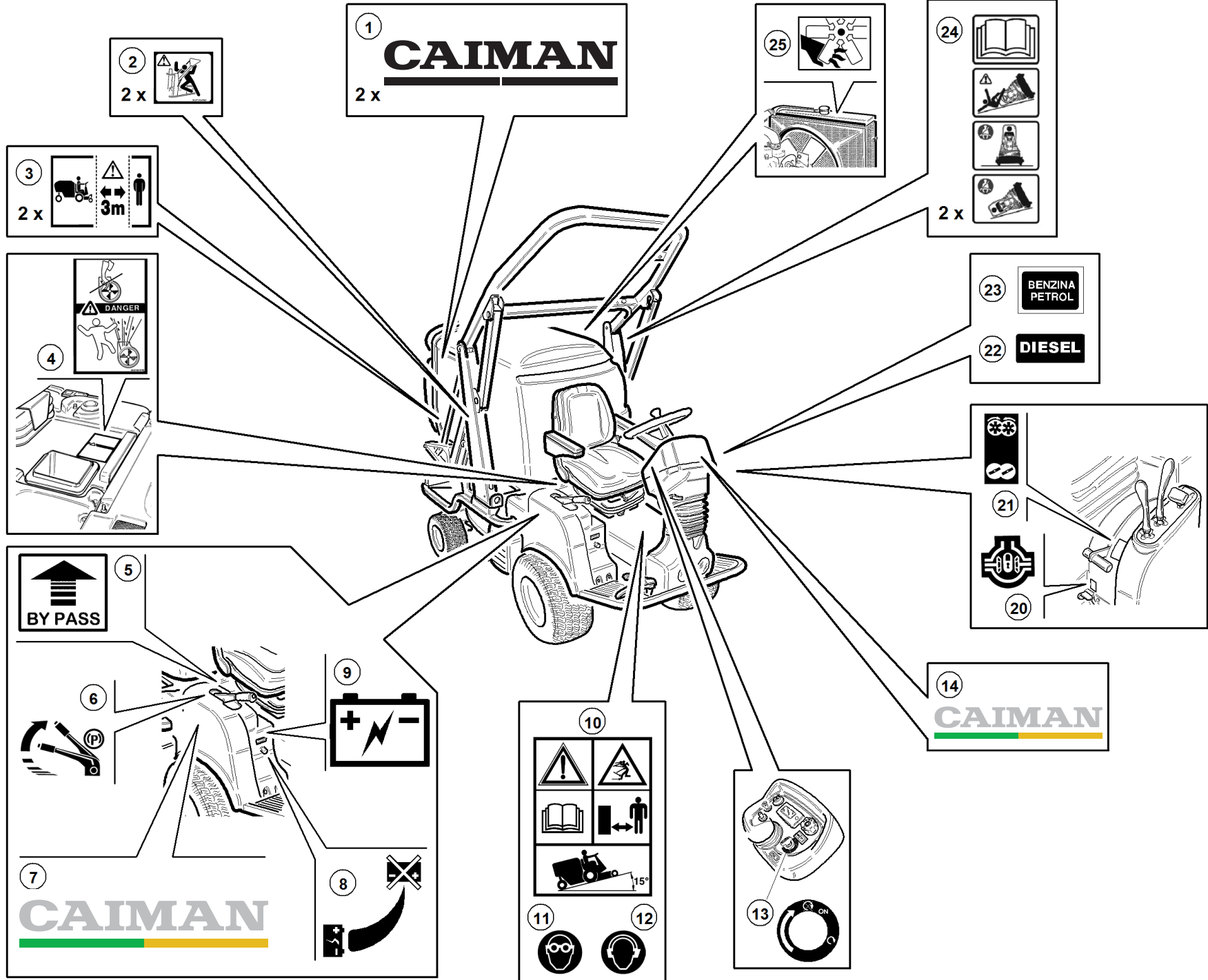
#	P/N	DESCR.
57	95248000002	SPACER FOR REARVIEW MIRROR SUPPORT
58	00111000093	HEXAGON SCREW M8x20 UNI 5739
59	92001360000	UPPER TERMINAL BOARD SUPP.

Briggs&Stratton - 10

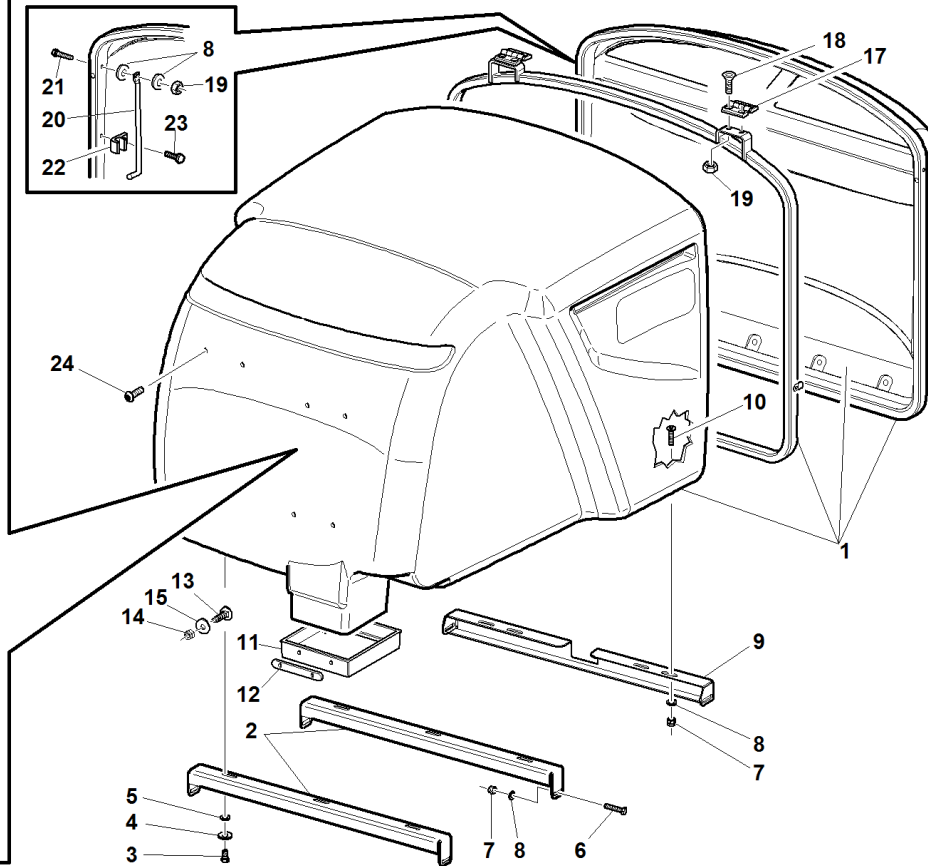
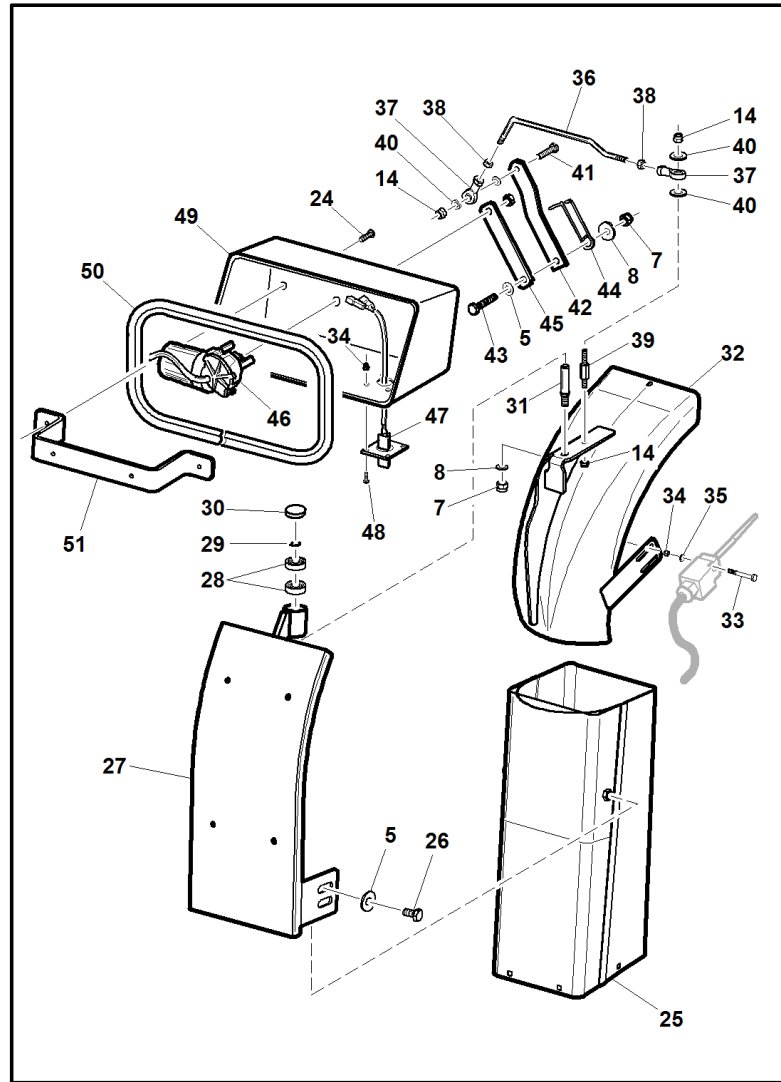
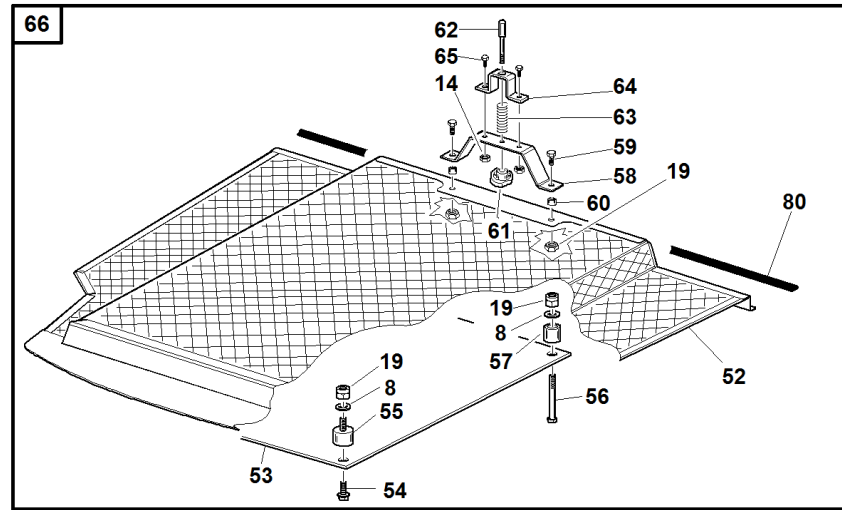
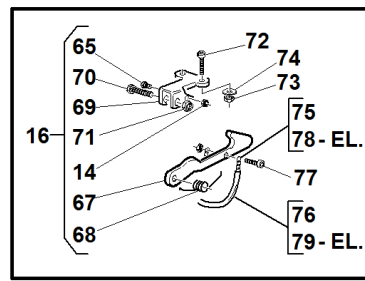




#	P/N	DESCR.
1	95400110001	FRONT STEERING FAIRING
2	00111450004	SCREW WASHER M8X12
3	95400110002	STEERING COLUMN REAR COVER
4	00111450017	SCREW FR M4X18
5	00111970191	RUBBER BELLOWS
6	91001150005	UPPER FRONT STEERING COLUMN BODY
7	91001150006	UPPER REAR STEERING COLUMN BODY
8	91001150004	UPPER STEERING COLUMN BODY
9	95418000004	PG 280-220 INSTRUMENT PANEL
10	95417000001	PG 230 INSTRUMENT PANEL
11	95400000007	RH RUBBER FOOTBOARD
12	95400000008	LH RUBBER FOOTBOARD
13	95400000011	PG-SR RH CONSOLE
14	00111450003	SCREW WASHER M8X20
15	95410000029	PG LH CONSOLE
16	95417110001	PG 230-220D LH CONSOLE
17	95407000002	SR LH CONSOLE
18	95408000001	SR 230-220D LH CONSOLE
19	95301340000	ENGINE RIGHT SIDE BODY
20	95201000004	RIGHT KUBOTA ENGINE FAIRING GRID
21	00111800007	RIVET D.3,9X12
22	95400111000	PG ASSEMBLY ENGINE HOOD
23	95417111000	PG 220D-230 ASSEMBLY ENGINE HOOD
24	00111970066	CABLE HOLDER D.I.9
25	00111970118	VIBRATION-DAMPING STOPPER M6 F H=31
26	00111300002	SCREW TE M6X12
27	95048100011	HOOD STOP PIN



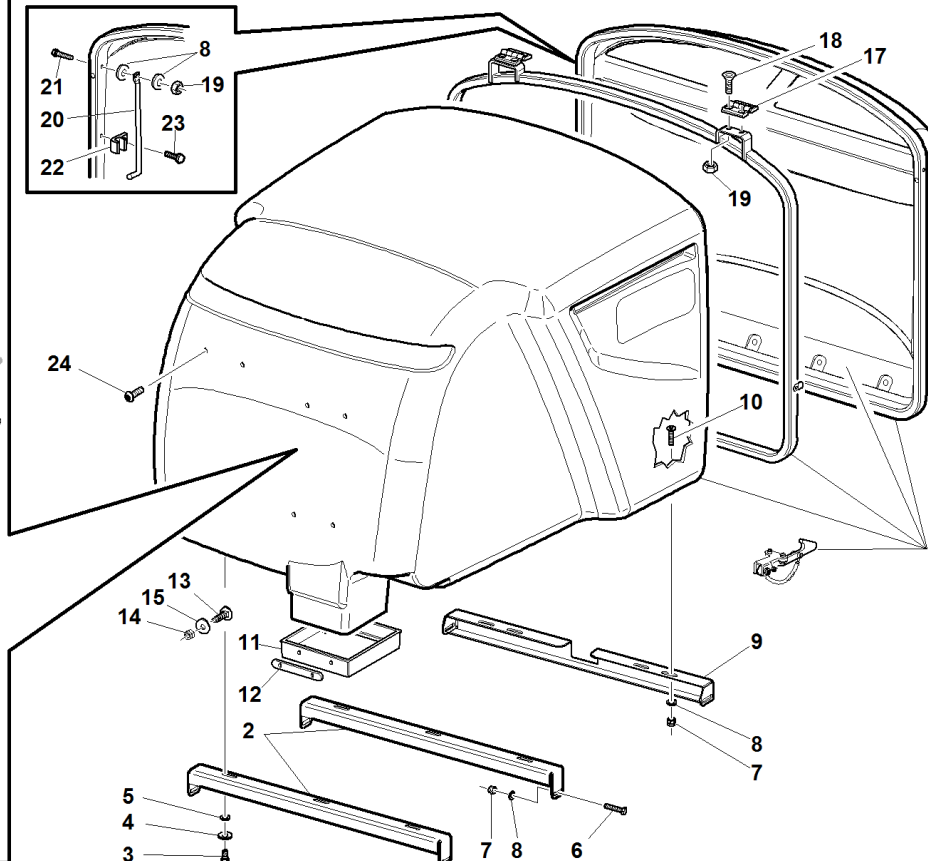
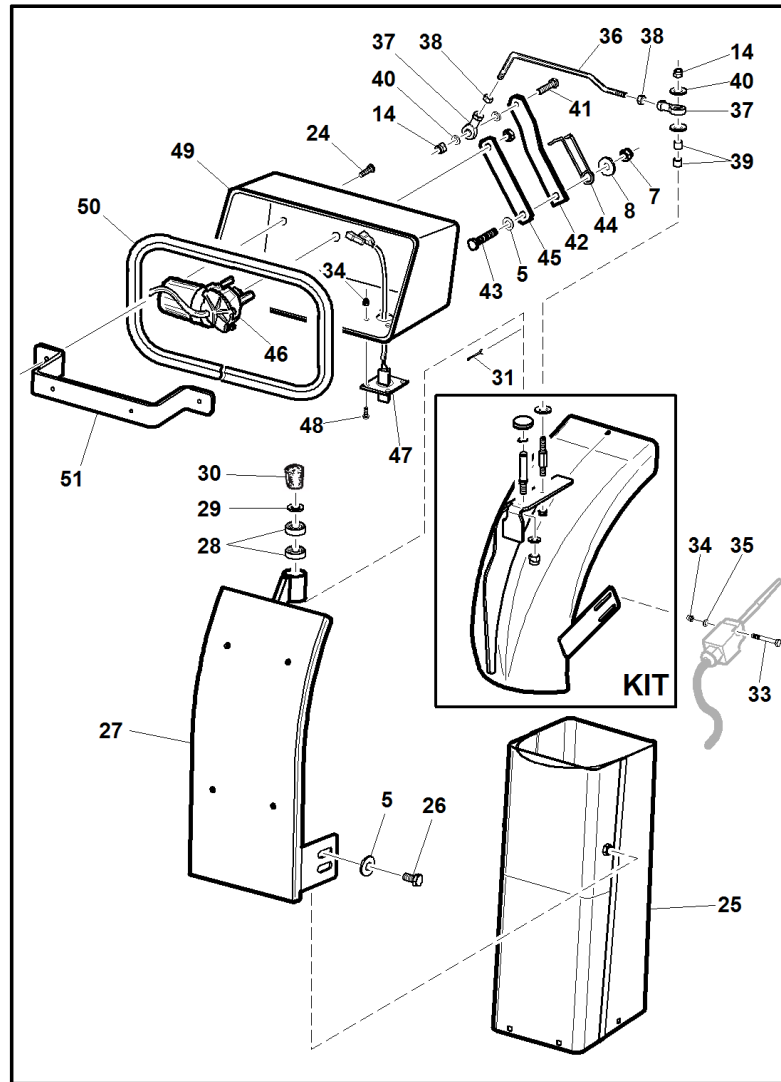
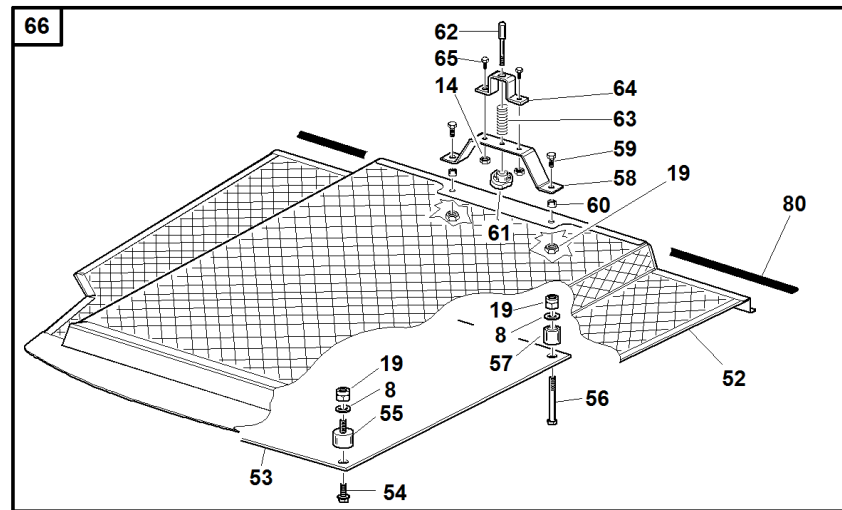
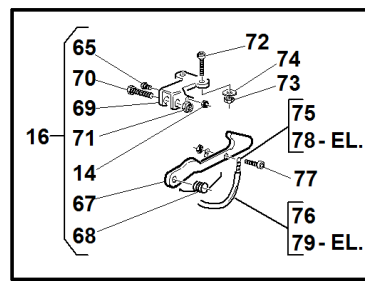
#	P/N	DESCR.
1		CAIMAN DECAL
2	00555200119	TRANSFER PRINTING
3	00555200018	TRANF. KEEP AWAY
4	00555000027	TRANSFER PRINTING TURBINE
5	00555200124	TRANSFER PRINTING
6	00555200128	TRANSFER PRINTING BRAKE
7	00555200286	CAIMAN DECAL
8	00555200201	GT-BATTERY OFF TRANSF.PRINTING
9	00555200258	WIRED BATTERY PLUG DECAL
10	00555200143	DANGER TRANSFER PRINTING
11	00555200130	TRANSFER PRINTING EYE PROTECTION
12	00555200129	TRANSFER PRINT.HEARING PROTEC.
13	00555200295	PG IGNITION SWITCH DECAL
14		CAIMAN DECAL
20	00555200008	TRANSFER PRINTING BLOC
21	00555200114	"TRANSFER PRINTING ""DIESEL"""
22	00555200006	TRANSFER PRINTING
23	00555200163	""PETROL"" FUEL TRANSFER PRINTING"
24	00555200257	ROPS-SAFETY TRANSFER PRINT
25	00555200115	ENGINE FAN WARNING STICKER



#	P/N	DESCR.
1	95401110000	PG 800L COLLECTOR COMPLETE WITH COVER
2	95401000003	COLLECTOR SUPPORT FRAME
3	00111000081	HEXAGON SCREW M8x16 UNI 5739
4	00111000179	GROWER WASHER M8
5	00111000061	WASHER 8.4X24X2
6	00111000094	SCREW TE M8X40
7	00111000071	SELF LOCKING NUT M8 UNI 7473
8	00111000087	WASHER P.8,4X15.6X1,5
9	95401000002	
10	00111000111	SCREW TSPEI M8X40
11	95075100005	COLLECTOR WASHER
12	95208000002	HOPPER GASKET SUPPORT
13	00111340008	CUP SQUARE M6X25 BOLT
14	00111000035	SELF BLOC. NUT M6
15	00111000037	WASHER 6.6X18X2
16	95597490000	CLOSING HOOK KIT FOR PG 800 L COLLECTOR
17	00111970234	HINGE
18	00111350021	SCREW TSPEI M8X25
19	00111000095	SELF BLO. NUT M8
20	95401000006	COLLECTOR DOOR SUPPORT ROD
21	00111300015	SCREW TE M8X55
22	00111970143	TERMINAL BOARD D.12
23	00111370008	CROSS RECESSED COUNTERSUNK HEAD TAPPING
24	00111450012	SCREW FR M 6X20
25	95401220000	GRASS COLLECTOR EJECTION TUBE
26	00111000178	
27	95401210000	TURNABLE SPRAYER SUPPORT
28	00777100009	
29	00111650017	SNAP RING D.10 E
30	00777270011	CAP Ø 26
31	95401200008	
32	95401200000	TURNABLE SPRAYER
33	00111300024	SCREW TE M4X35
34	00111250006	SELF BL. NUT M4
35	00111500010	WASHER 4.3X9X0.8
36	95401000011	TURNABLE SPRAYER-ELECTRIC MOTOR TIE ROD
37	00777200030	ARTICULATION HEAD SPHEROX M8
38	00111000155	NUT M6
39	95401200007	
40	00111500009	WASHER 6.4X12.5X1.6
41	00111300050	
42	95401000013	TURNABLE SPRAYER-MOTOR CONNECTING ROD
43	00111300060	SCREW
44	95401000014	MOTOR CONNECTING ROD SPRING
45	95401000012	ELECTRIC MOTOR CONNECTING ROD
46	00777800243	SWIVEL SPREADER ELECTRIC MOTOR
47	95401000017	CONNECTION FOR ELECTRIC MOTOR
48	00111450011	SCREW FR M 4 X12
49	95401000015	MOTOR PROTECTION COVER
50	95401000016	PROTECTION COVER GASKET
51	95401000010	PROTECTION COVER FIXING BRACKET
52	95401130000	COLLECTOR GRID
53	95401000007	COLLECTOR GRID PROTECTION BRACKET
54	00111000127	SCREW WASHER M8X20
55	00111970127	STOPPER M8 D30X20

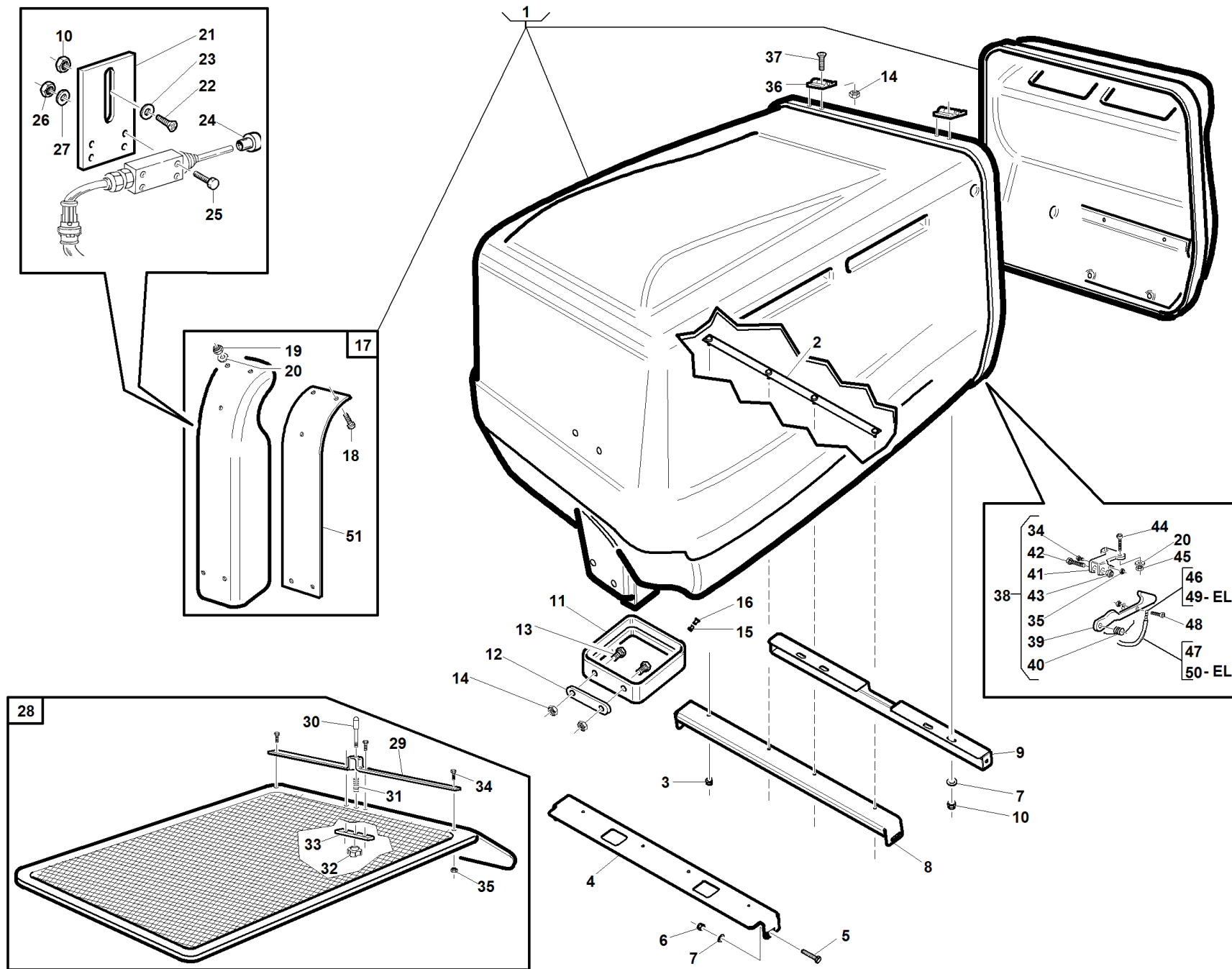
#	P/N	DESCR.
56	00111300020	SCREW TE M8X70
57	92002100006	SPACER Ø12X20 H=18.3 ZNT
58	95401000008	FIXING PIN PLATE SUPPORT
59	00111450002	SCREW WASHER M8X30
60	94500000051	SPACER 10.25X16X10.5
61	00111970014	KNOB M6
62	95140000002	THREADED PG HOPPER SHAFT M6
63	94010000097	SPRING PR F.1-8.5-40-11 TDM INOX
64	95140000001	PIN FIXING PLATE
65	00111450005	SCREW/W M6X16
66	95597300000	ASSEMBLY GRID FOR PG 800 LT COLLECTOR
67	95401000018	CLOSIN HOOK FOR COLLECTOR DOOR
68	95101000005	SPRING COLLECTOR HOOK
69	95401000019	CLOSING HOOK SUPPORT
70	00111300043	SCREW TE UNI 5737 M10x45 8.8
71	00111250004	SELF LOCKING NUT M10 UNI 7473
72	00111400008	ALLEN SCREW M5X20
73	00111000183	SELF BL. NUT M5
74	00111500005	WASHER 5.5X15X1.6
75	95414000001	CHAIN TYPE N.14 LAPS
76	00111970242	PVC Ø12 TUBE L=590
77	00111400029	SCREW UNI 5931
78	95411000004	CHAIN FOR COLLECTOR HOOK
79	00111970241	PVC Ø12 TUBE L=130
80	94500830002	HOPPER WASHER L=930





#	P/N	DESCR.
1	95597500000	PG 800 L COLLECTOR KIT
2	95401000003	COLLECTOR SUPPORT FRAME
3	00111000081	HEXAGON SCREW M8x16 UNI 5739
4	00111000179	GROWER WASHER M8
5	00111000061	WASHER 8.4X24X2
6	00111000094	SCREW TE M8X40
7	00111000071	SELF LOCKING NUT M8 UNI 7473
8	00111000087	WASHER P.8,4X15.6X1,5
9	95401000002	
10	00111000111	SCREW TSPEI M8X40
11	95075100005	COLLECTOR WASHER
12	95208000002	HOPPER GASKET SUPPORT
13	00111340008	CUP SQUARE M6X25 BOLT
14	00111000035	SELF BLOC. NUT M6
15	00111000037	WASHER 6.6X18X2
16	95075110000	SHORT HOPPER CLOSING HOOK
17	00111970234	HINGE
18	00111350021	SCREW TSPEI M8X25
19	00111000095	SELF BLO. NUT M8
20	95401000006	COLLECTOR DOOR SUPPORT ROD
21	00111300015	SCREW TE M8X55
22	00111970143	TERMINAL BOARD D.12
23	00111370008	CROSS RECESSED COUNTERSUNK HEAD TAPPING
24	00111450012	SCREW FR M 6X20
25	95401220000	GRASS COLLECTOR EJECTION TUBE
26	00111000178	
27	95401210000	TURNABLE SPRAYER SUPPORT
28	00777100009	
29	00111000015	WASHER D.10,5X21X2
30	00111970245	RUBBER CAP
31	00111750007	SPLIT PIN
33	00111300024	SCREW TE M4X35
34	00111250006	SELF BL. NUT M4
35	00111500010	WASHER 4.3X9X0.8
36	95401000011	TURNABLE SPRAYER-ELECTRIC MOTOR TIE ROD
37	00777200030	ARTICULATION HEAD SPHEROX M8
38	00111000155	NUT M6
39	95241000002	
40	00111500009	WASHER 6.4X12.5X1.6
41	00111300050	
42	95401000013	TURNABLE SPRAYER-MOTOR CONNECTING ROD
43	00111300060	SCREW
44	95401000014	MOTOR CONNECTING ROD SPRING
45	95401000012	ELECTRIC MOTOR CONNECTING ROD
46	00777800243	SWIVEL SPREADER ELECTRIC MOTOR
47	95401000017	CONNECTION FOR ELECTRIC MOTOR
48	00111450011	SCREW FR M 4 X12
49	95401000015	MOTOR PROTECTION COVER
50	95401000016	PROTECTION COVER GASKET
51	95401000010	PROTECTION COVER FIXING BRACKET
52	95401130000	COLLECTOR GRID
53	95401000007	COLLECTOR GRID PROTECTION BRACKET
54	00111000127	SCREW WASHER M8X20
55	00111970127	STOPPER M8 D30X20
56	00111300020	SCREW TE M8X70

#	P/N	DESCR.
57	92002100006	SPACER Ø12X20 H=18.3 ZNT
58	95401000008	FIXING PIN PLATE SUPPORT
59	00111450002	SCREW WASHER M8X30
60	94500000051	SPACER 10.25X16X10.5
61	00111970014	KNOB M6
62	95140000002	THREADED PG HOPPER SHAFT M6
63	94010000097	SPRING PR F.1-8.5-40-11 TDM INOX
64	95140000001	PIN FIXING PLATE
65	00111450005	SCREW/W M6X16
66	95597300000	ASSEMBLY GRID FOR PG 800 LT COLLECTOR
67	95075000001	COVER CLOSING HOOK
68	95101000005	SPRING COLLECTOR HOOK
69	95101000004	SUPPORT COLLECTOR HOOK
70	00111300043	SCREW TE UNI 5737 M10x45 8.8
71	00111250004	SELF LOCKING NUT M10 UNI 7473
72	00111400008	ALLEN SCREW M5X20
73	00111000183	SELF BL. NUT M5
74	00111500005	WASHER 5.5X15X1.6
75	95414000001	CHAIN TYPE N.14 LAPS
76	00111970242	PVC Ø12 TUBE L=590
77	00111400029	SCREW UNI 5931
78	95411000004	CHAIN FOR COLLECTOR HOOK
79	00111970241	PVC Ø12 TUBE L=130
80	94500830002	HOPPER WASHER L=930



#	P/N	DESCR.
1	95597370000	PG 600L COLLECTOR COMPLETE WITH COVER
2	95208200000	HOPPER REINFORCEMENT PLATE
3	00111250010	SELF BL. NUT M5
4	95403000002	FRONT COLLECTOR SUPPORT
5	00111000094	SCREW TE M8X40
6	00111000071	SELF LOCKING NUT M8 UNI 7473
7	00111000087	WASHER P.8,4X15.6X1,5
8	95403000003	MIDDLE COLLECTOR SUPPORT
9	95403000001	REAR COLLECTOR SUPPORT
10	00111000095	SELF BLO. NUT M8
11	95075100005	COLLECTOR WASHER
12	95208000002	HOPPER GASKET SUPPORT
13	00111350027	SCREW TSPEI M5x25
14	00111250012	SELF BL. NUT METB 5MA
15	00111800014	RIVET HEAD
16	00111800015	BOSS
17	95599500000	ROTATIONAL COLLECTOR CHIMNEY
18	00111450011	SCREW FR M 4 X12
19	00111250020	SELF BL.NUT M4
20	00111500005	WASHER 5.5X15X1.6
21	95002000010	SUPPORT STOP
22	00111000001	SCREW M8X20
23	00111000082	NUT M8
24	00111970042	FEMALE KNOB THB20M4
25	00111350031	SCREW TSPEI M4X35
26	00111250006	SELF BL. NUT M4
27	00111500010	WASHER 4.3X9X0.8
28	95140000000	PG 4 WHEELS ROTATIONAL HOPPER GRID
29	95140000003	PIN SUPPORT GUIDE
30	95140000002	THREADED PG HOPPER SHAFT M6
31	94010000097	SPRING PR F.1-8.5-40-11 TDM INOX
32	00111970014	KNOB M6
33	95140000004	PIN FIXING BRACKET
34	00111450005	SCREW/W M6X16
35	00111000035	SELF BLOC. NUT M6
36	00111970136	METAL HING
37	00111350011	SCREW TSPEI M5X20
38	95075110000	SHORT HOPPER CLOSING HOOK
39	95075000001	COVER CLOSING HOOK
40	95101000005	SPRING COLLECTOR HOOK
41	95101000004	SUPPORT COLLECTOR HOOK
42	00111300043	SCREW TE UNI 5737 M10x45 8.8
43	00111250004	SELF LOCKING NUT M10 UNI 7473
44	00111400008	ALLEN SCREW M5X20
45	00111000183	SELF BL. NUT M5
46	95414000001	CHAIN TYPE N.14 LAPS
47	00111970242	PVC Ø12 TUBE L=590
48	00111400029	SCREW UNI 5931
49	95411000004	CHAIN FOR COLLECTOR HOOK
50	00111970241	PVC Ø12 TUBE L=130
51	95142201001	COLLECTOR CHIMNEY STIFFENER