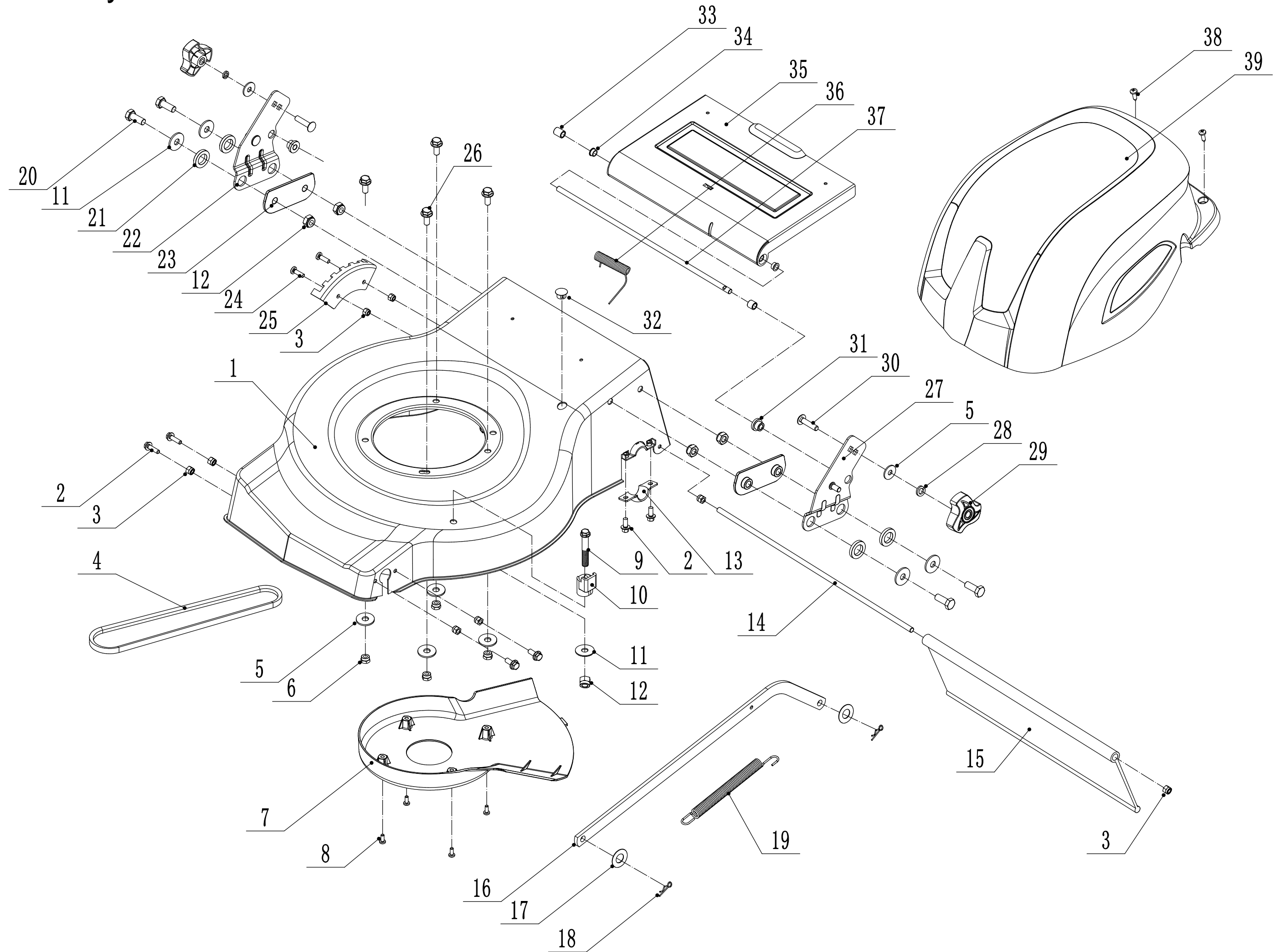
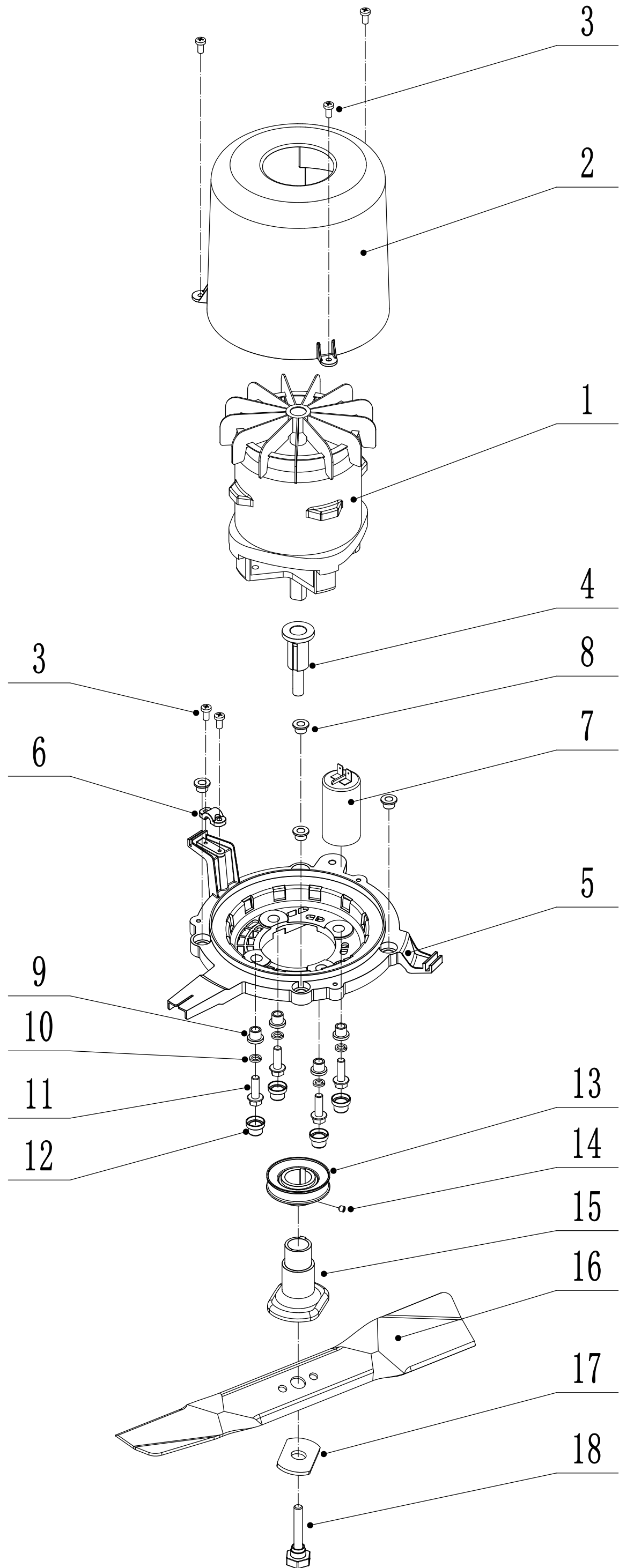


1 Main Body



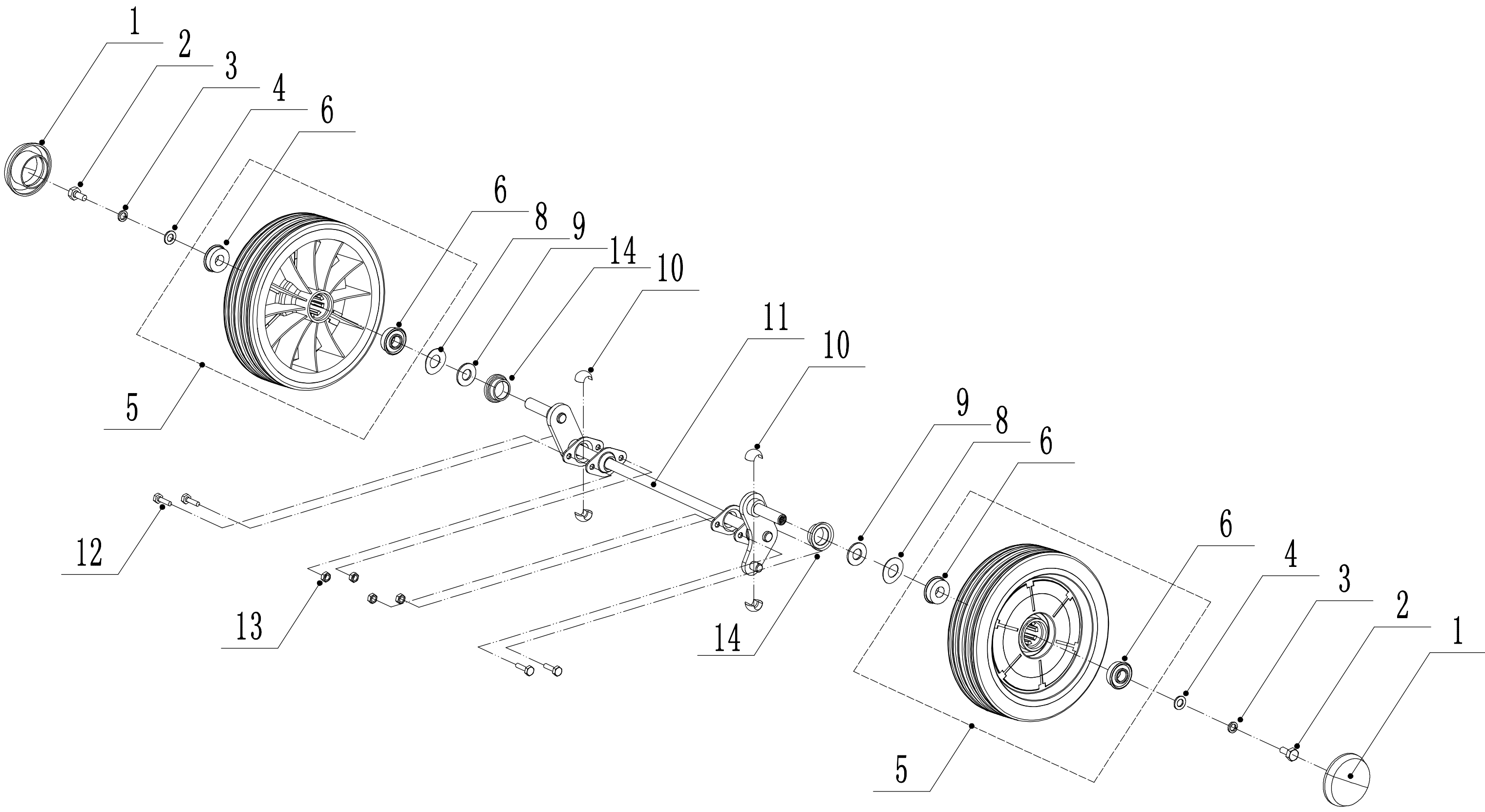
Main Body Spare parts			
N	ART	NAME	QTY
1	U453T-0001	Main Body	1
2	U455-00009	Bolt - M6x12	8
3	U455-00013	Lock Nut - M6	8
4	U453T-0002	Belt - V10x725	1
5	U455-00061	Flat Washer	6
6	U455-00007	Lock Nut - M8	4
7	U453T-0003	Belt Cover	1
8	U453-0002	St Pan Screw - 4.8x19	4
9	UZT85-00116	Bolt - M10x45	1
10	U453-0003	Spring Bracket	1
11	UG700-00100	Big Washer	5
12	U537-00111	Lock Nut - M10	5
13	U455-00021	Upper Bearing Bracket	2
14	U453-0004	Rod - Trailing Flap	1
15	U537-00117	Trailing Flap	1
16	U453-0005	Connecting Rod	1
17	U455-00029	Flat Washer	2
18	U455-00032	Check Ring	2
19	U453-0006	Spring - Connecting Rod	1
20	UG806-00032	Bolt - M10x25	4
21	U453-0007	Spacer	4
22	U453T-0004	Right Bracket	1
23	U453-0009	Spacer - Left Bracket	2
24	U455-00072	St Pan Screw - M6x14	2
25	U453-0010	Graduator	1
26	UR200-00058	Bolt - M8x20	4
27	U453T-0005	Left Bracket	1
28	U455-00053	Spring Washer	2
29	UV180-00003	Knob	2
30	U058-00014	Bolt - M8x25	2
31	U453-0012	Spacer - Grass Bag Flap Rod	2
32	U453T-0006	Spacer - Clutch Cable	1
33	U453-0013	Spacer - Grass Bag Flap	2
34	U453-0014	Nylon Spacer - Grass Bag Flap	2
35	U453-0015	Grass Bag Flap	1
36	U453-0016	Spring - Grass Bag Flap	1
37	U453-0017	Rod - Grass Bag Flap	1
38	U453-0018	ST Pan Screw - 5.5x19	2
39	U453-0019	Engine Cover	1

2 Blade System



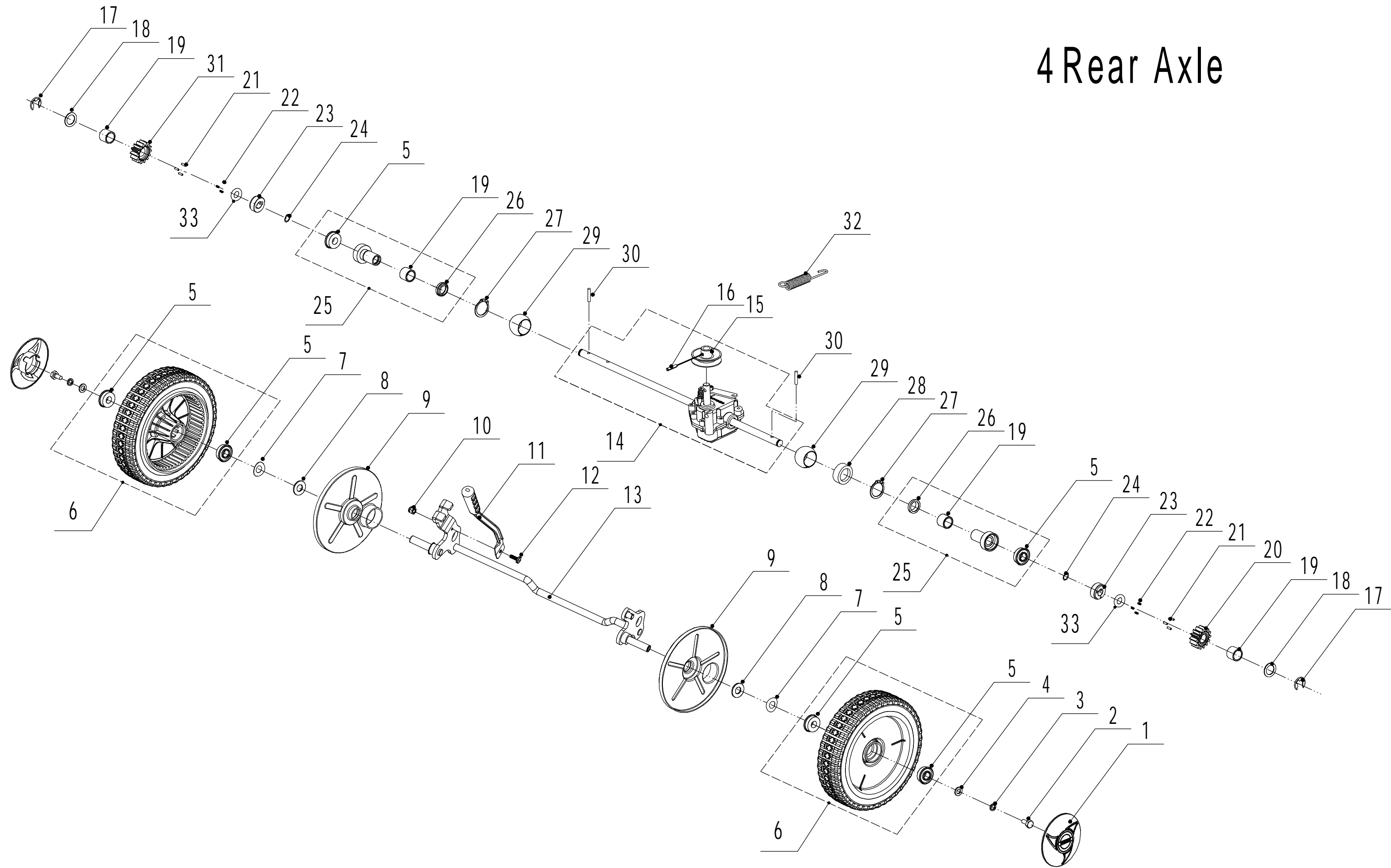
Blade System spare parts			
N	ART	NAME	QTY
1	U453-0020	Electric Motor	1
2	U453-0021	Motor Shield	1
3	UR390-00087	St Pan Screw - St 4.8x13	5
4	U453-0022	Spindle Sheath	1
5	U453T-0007	Motor Connecting Base	1
6	U453-0024	Cable Clip	1
7	U453-0025	Capacitor	1
8	U453-0026	Spacer	4
9	U453-0027	Partition	4
10	U455-00053	Spring Washer	4
11	UR200-00054	Bolt - M8x25	4
12	U453-0028	Spacer	4
13	U453T-0008	Pulley	1
14	U455-00041	Locating Screw	1
15	U453-0030	Adaptor	1
16	U453-0031	Blade	1
17	U453-0032	Spring Washer	1
18	U453-0033	Central Bolt	1

4 Front axle



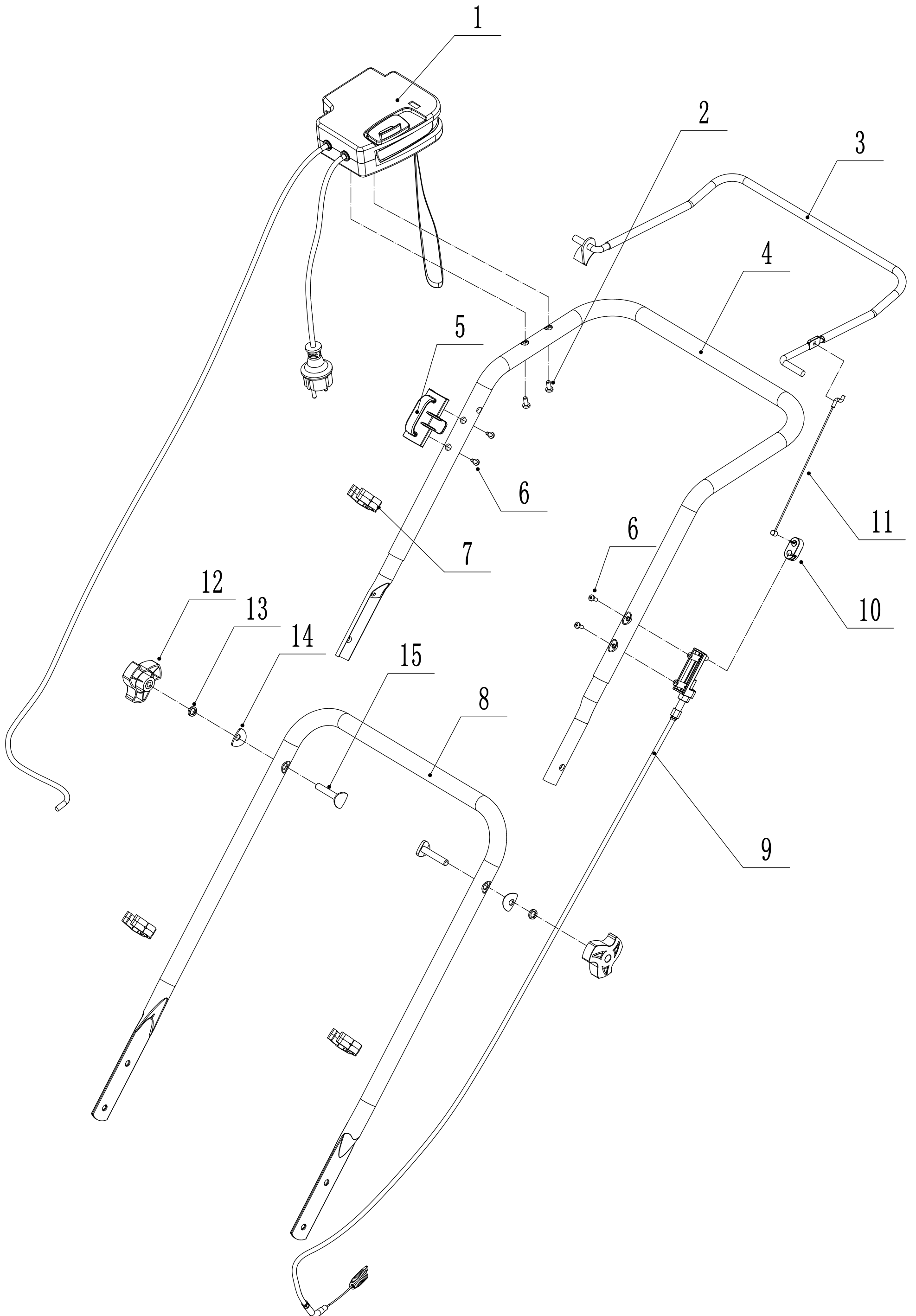
Front axle Spare parts			
N	ART	NAME	QTY
1	U466-00012	Wheel Cap	2
2	UG390-00079	Bolt - M8x16	2
3	U455-00053	Spring Washer	2
4	U455-00061	Flat Washer	2
5	U466-00013	Wheel Assembly	2
6	U455-00056	Bearing	4
8	U455-00057	Spacer	2
9	U455-00058	Washer	2
10	U455-00059	Ball Bearing	4
11	U453-0034	Front Axle	1
12	U455-00009	Bolt - M6x12	4
13	U455-00013	Lock Nut - M6	4
14	U47PI-00004	waterproof ring	2

4 Rear Axle



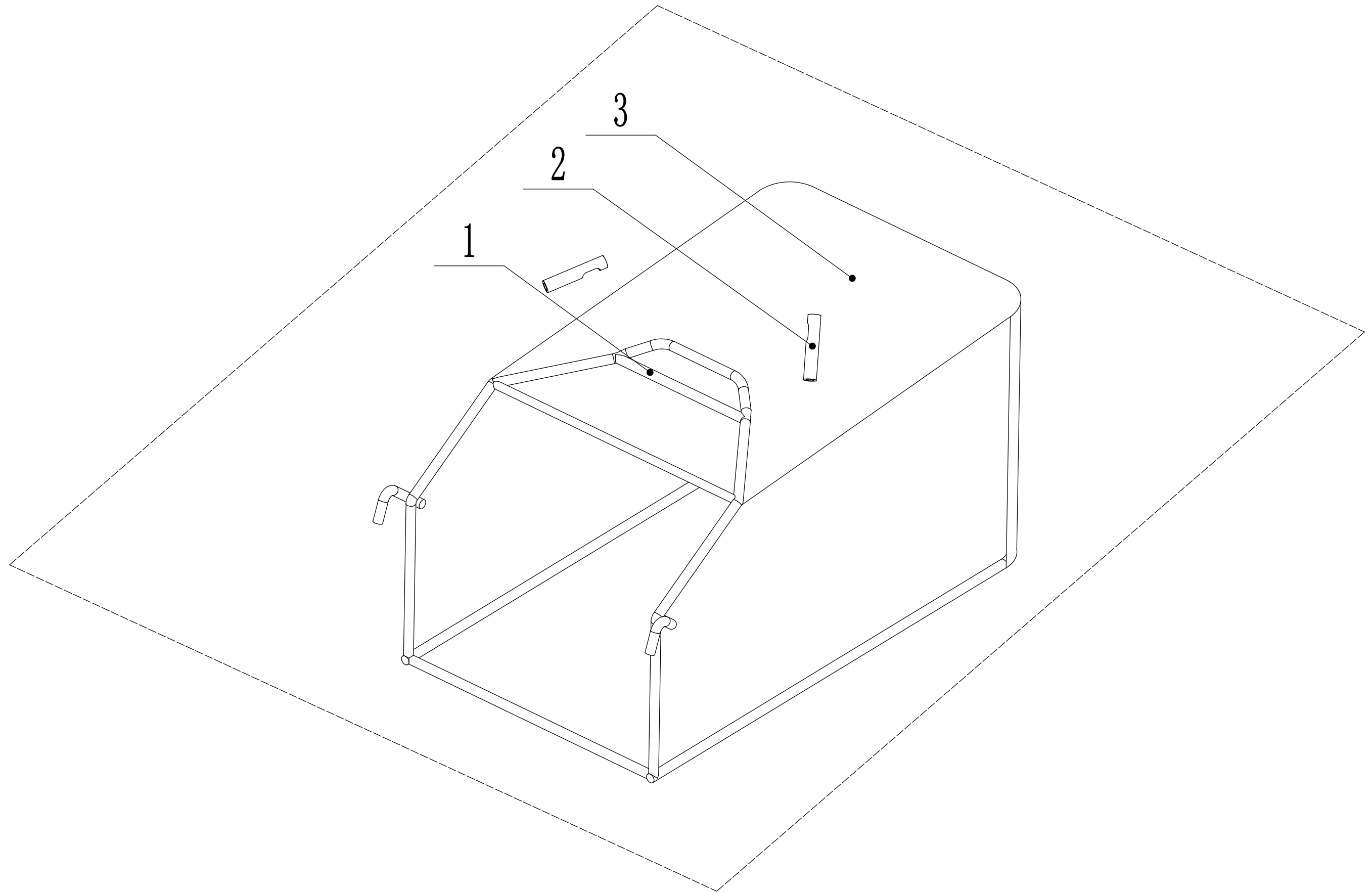
Rear axle Spare parts			
N	ART	NAME	QTY
1	U466-00012	Wheel Cap	2
2	UG390-00079	Bolt - M8x16	2
3	U455-00053	Spring Washer	2
4	U455-00061	Flat Washer	2
5	U455-00056	Weibang Bearing	6
6	U466-00013	Wheel	2
7	U455-00057	Spacer	2
8	U455-00058	Axle Washer	2
9	U456-00044	Dustproof Shield	2
10	U455-00013	Lock Nut - M6	1
11	U453T-0009	Adjustment Lever	1
12	U455-00072	Pan Screw - M6x14	1
13	U453T-0010	Rear Axle	1
14	U453T-0011	Gearbox	1
15	U456-00048	Gearbox Pulley	1
16	U455-00087	Flexible Pin	1
17	U455-00085	Check Ring	2
18	U455-00084	Anti-friction Washer	2
19	U453T-0012	Bearing	4
20	U455-00083	Left Drive Pinion	1
21	U455-00081	Pin	6
22	U455-00080	Spring	6
23	U455-00079	Ratchet	2
24	U455-00077	Check Ring	2
25	U455-00074	Bearing Sheath Assembly - Left	2
26	U455-00075	Dustproof Ring	2
27	U455-00068	Elastic Washer	2
28	U537-00097	Spacer	1
29	U455-00066	Nylon Ball Bearing	2
30	U455-00078	Pin For Ratchet	2
31	U455-00082	Right Drive Pinion	1
32	U453T-0013	Gearbox Spring	1
33	U455-00089	O-Ring	2

5 Handle And Controls



Handle and Control Spare parts			
N	ART	NAME	QTY
1	U453-0037	Switch	1
2	U453-0002	St Pan Screw - 4.8x19	2
3	U453T-0014	Cluth Lever	1
4	U453T-0015	Upper Handle	1
5	U453-0039	Cable Bracket	1
6	U537-00013	St Pan Screw - 4.2x13	4
7	U453-0040	Cable Clip	3
8	U453-0041	Lower Handle	1
9	U453T-0016	Cluth Cable	1
10	U453T-0017	Connector	1
11	U453T-0018	Cluth Cable Core	1
12	UV180-00003	Knob	2
13	U455-00053	Spring Washer	2
14	U453-0042	Arc Washer	2
15	U453-0043	Bolt - M8x45	2

6 Grass Catcher



Grass Catcher Spare parts			
N	ART	NAME	QTY
1	U453-0044	Frame	1
2	U453-0045	Frame Sleeve	2
3	U453-0046	Grass Bag	1