

# ● КАТАЛОГ ЗАПАСНЫХ ЧАСТЕЙ

FIG. 1 CYLINDER HEAD

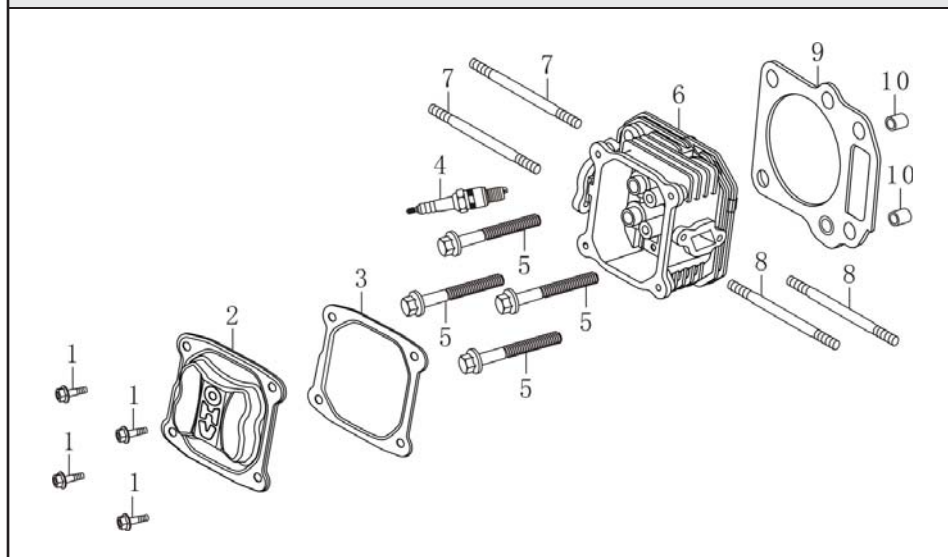


FIG. 2 CRANK CASE

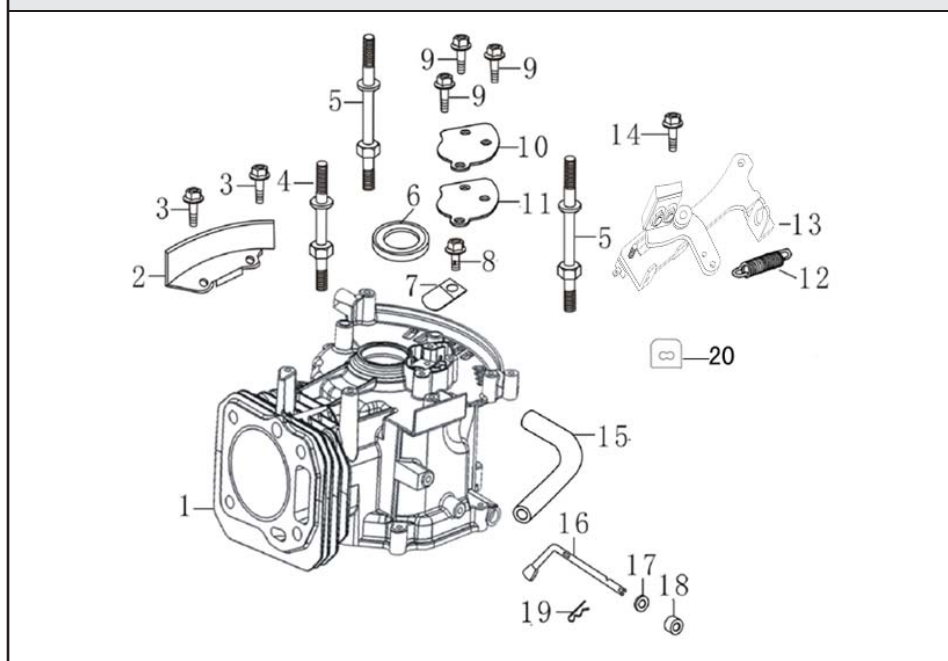


FIG. 3 CRANK CASE COVER

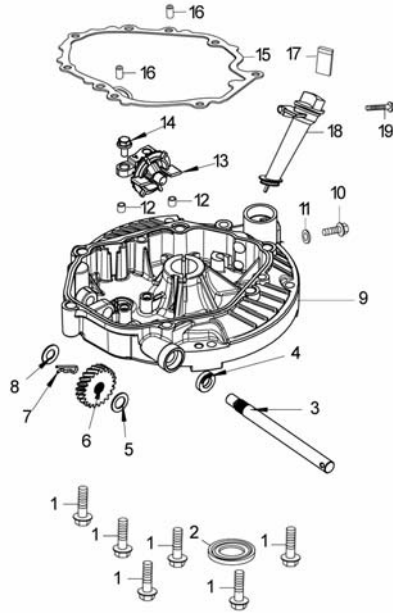


FIG. 4 CRANKSHAFT/PISTON

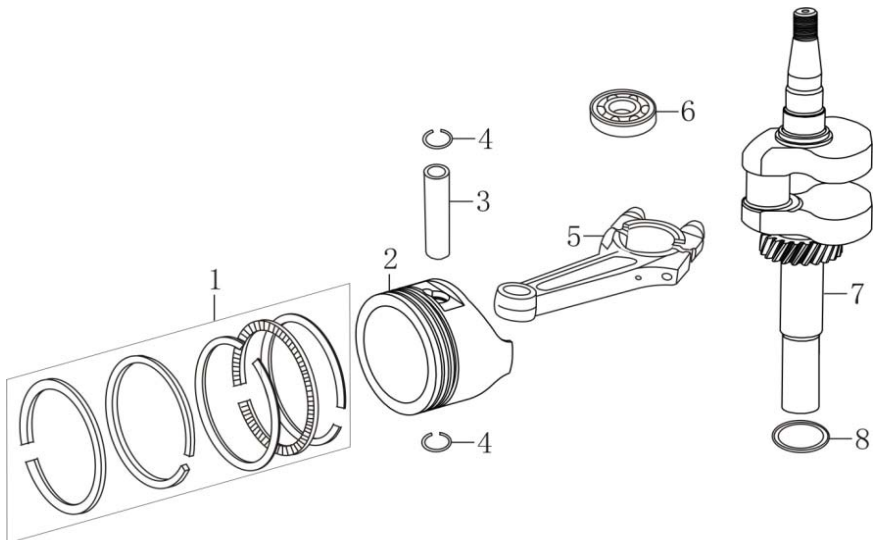


FIG. 3 CRANK CASE COVER

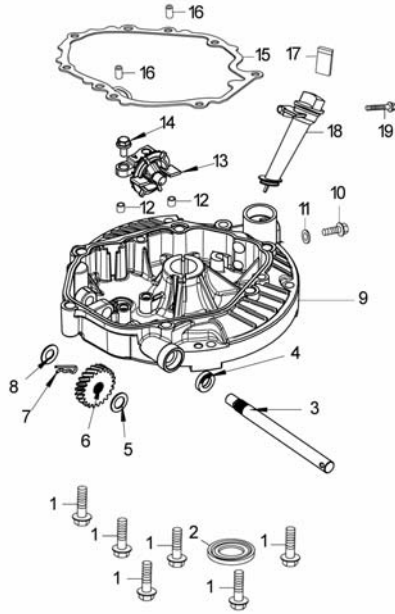


FIG. 4 CRANKSHAFT/PISTON

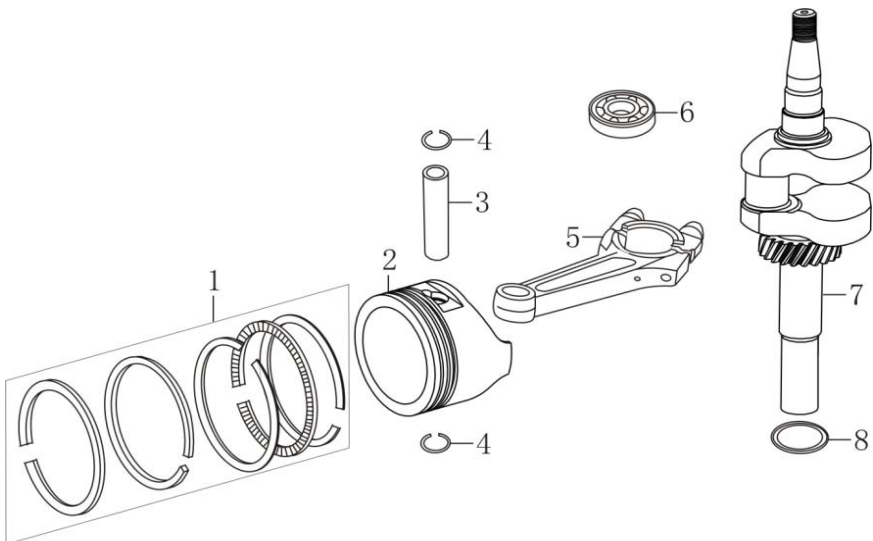


FIG. 5 CAMSHAFT

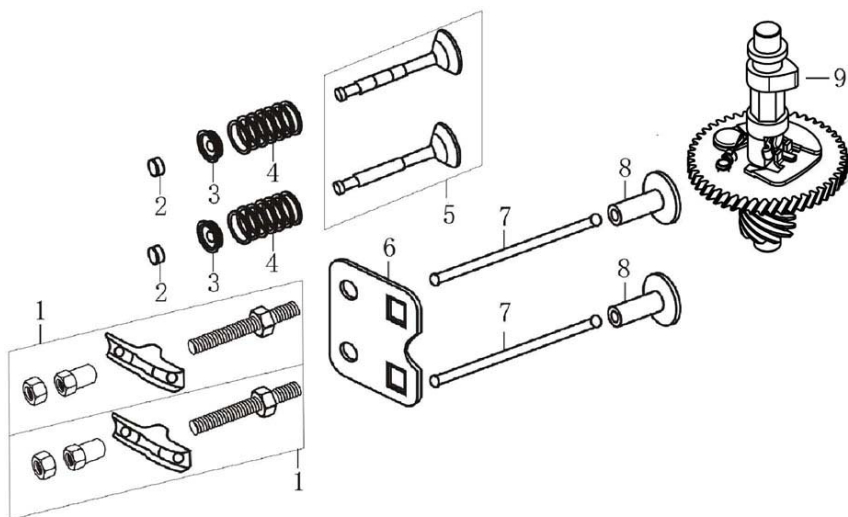


FIG. 6 STARTER

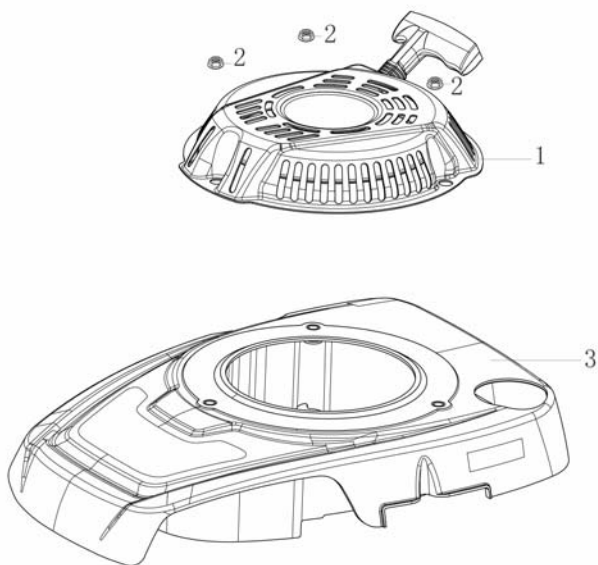


FIG. 7 CARBURETOR

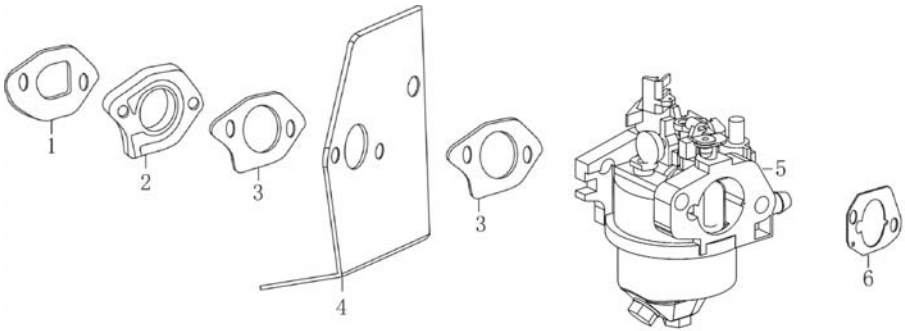


FIG. 8 FLYWHEEL

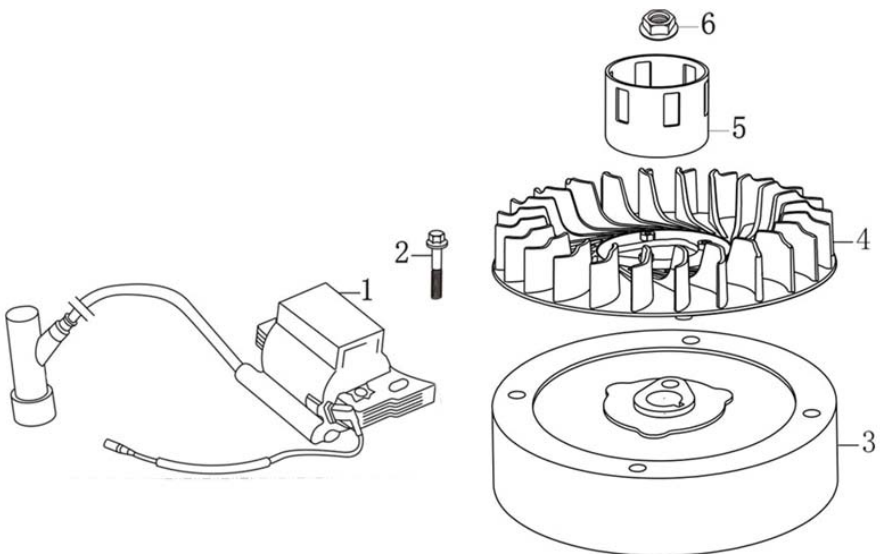


FIG. 9 AIR CLEANER

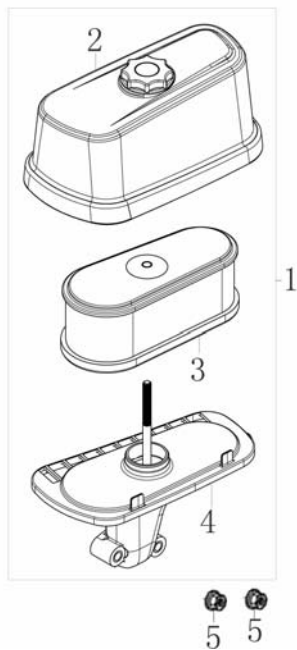


FIG. 10 CONTROL SYSTEM

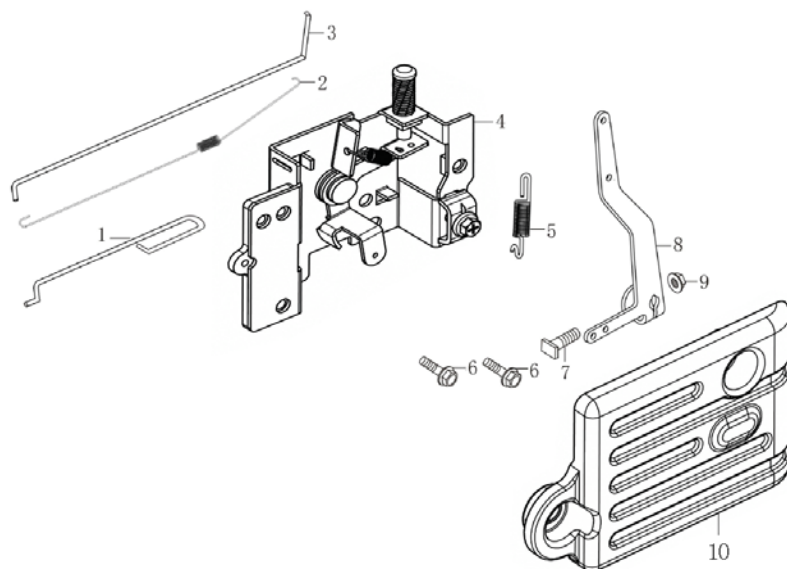


FIG. 11 MUFFLER

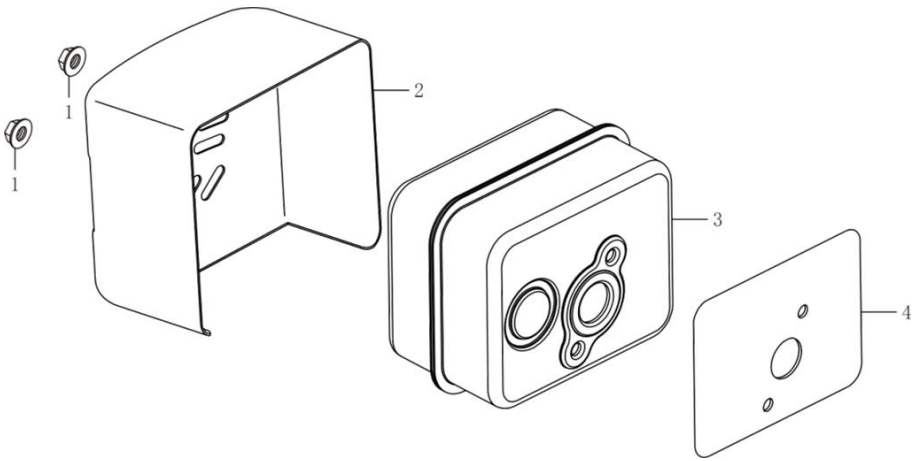


FIG. 12 FUEL TANK

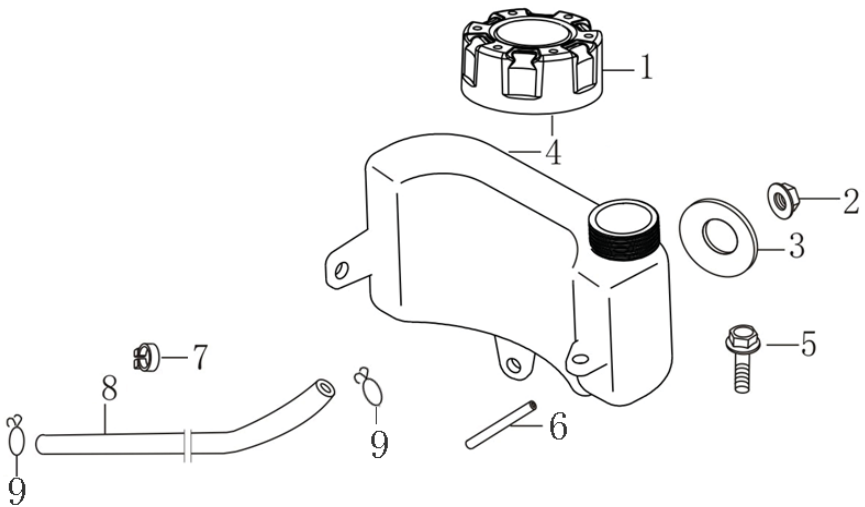


FIGURE	No.	Part No.	Description	QTY
FIG. 1	1	U065-FA001	Hexagon bolt with flange	4
	2	U070-FA001	Cylinder head cover	1
	3	U065-FA003	Gasket for cylinder head cover	1
	4	U065-FA004	Spark plug	1
	5	U070-FA002	Hexagon bolt with flange	4
	6	U070-FA003	Cylinder head	1
	7	U065-FA008	Stud	2
	8	U070-FA004	Stud	2
	9	U070-FA005	Gasket for cylinder head	1
	10	U065-FA010	ocation pin	2
FIG.2	1	U070-FA006	Crankcase body	1
	2	U065-FA012	Side plate	1
	3	U065-FA013	Hexagon bolt with flange	2
	4	U070-FA007	Stay stud	1
	5	U070-FA008	Stay stud	2
	6	U065-FA016	Oil seal	1
	7	U065-FA017	Leaf valve	1
	8	U065-FA018	Hexagon bolt with flange	1
	9	U065-FA019	Hexagon bolt with flange	3
	10	U070-FA009	CAP,BREATHER CHAMBER	1
	11	U070-FA010	PACKING, BREATHER CHAMBER	1
	12	U065-FA022	Tension spring	1
	13	U070-FA055	Engine brake	1
	14	U065-FA024	Hexagon bolt with flange	1
	15	U070-FA013	Breather tube	1
	16	U065-FA026	Speed regulating arm	1
	17	U065-FA027	Flat washer	1
	18	U065-FA028	Oil seal	1
	19	U065-FA029	Pin clip	1
FIG.3	1	U070-FA014	Hexagon bolt with flange	6
	2	U065-FA033	Oil seal	1
	3	U070-FA015	Output shaft	1
	4	U070-FA016	Oil seal	1
	5	U070-FA017	Flat washer	1
	6	U070-FA018	worm gear	1
	7	U070-FA019	Pin clip	1
	8	U070-FA020	Flat washer	1
	9	U070-FA021	Crankcase cover	1
	10	U065-FA041	Sealing plug screw	1
	11	U065-FA042	Flat washer	1
	12	U065-FA034	ocation pin	2
	13	U070-FA022	Components of governor gear	1
	14	U065-FA035	Hexagon bolt with flange	1



FIGURE	No.	Part No.	Description	QTY
FIG.3	15	U070-FA023	Crankcase cover gasket	1
	16	U065-FA039	ocation pin	2
	17	U065-FA040	Engine oil return block	1
	18	U065-FA043	Oil rule combination	1
	19	U065-FA044	Hexagon bolt with flange	1
FIG.4	1	U070-FA024	Piston ring combination	1
	2	U070-FA025	Piston	1
	3	U065-FA047	Piston pin	1
	4	U065-FA048	Steel cable baffle ring	2
	5	U070-FA026	Connecting rod	1
	6	U065-FA050	Bearing	1
	7	U070-FA027	crankshaft	1
	8	U065-FA052	Flat washer	1
FIG.5	1	U065-FA053	Valve rocker combination	2
	2	U070-FA028	Valve adjustment cap	2
	3	U070-FA029	Retainer, valve spring	2
	4	U065-FA055	Inner spring of valve	2
	5	U070-FA030	Valve Kit	1
	6	U070-FA031	Plate, push rod guide	1
	7	U070-FA032	Push rod	2
	8	U065-FA059	Lifter, Valve	2
	9	U070-FA033	Camshaft assy	1
FIG.6	1	U070-FA034	Manual starting components	1
	2	U065-FA065	Hexagon nut with flange	3
	3	U070-FA035	Fan cover comp.	1
FIG.7	1	U070-FA036	Carburetor gasket	1
	2	U070-FA037	Heat insulating pad for carburetor	1
	3	U065-FA076	Carburetor gasket	2
	4	U065-FA077	Heat insulating plate for carburetor	1
	5	U070-FA056	Carburetor	1
	6	U070-FA039	Carburetor gasket	1
FIG.8	1	U065-FA080	COIL ASSY.,IGNNTION	1
	2	U065-FA024	Hexagon bolt with flange	1
	3	U065-FA082	FLYWHEEL COMP	1
	4	U065-FA083	Impeller	1
	5	U065-FA084	Starting disc	1
	6	U065-FA085	Hexagon nut with flange	1
FIG.9	1	U070-FA041	Air filter seat	1
	2	U070-FA042	Air filter casing cover	1
	3	U070-FA043	Air filter element	1
		U070-FA044	Air filter element	1
	4	U070-FA045	Air filter seat	1
5	U065-FA065	Hexagon nut with flange	2	

FIGURE	No.	Part No.	Description	QTY
FIG.10	1	U070-FA046	Choke valve pull rod	1
	2	U070-FA047	throttle return spring	1
	3	U070-FA048	Throttle rod	1
	4	U065-FA095	Throttle handle combination	1
	5	U065-FA096	Governing spring	1
	6	U065-FA097	Hexagon bolt with flange	2
	7	U065-FA098	Square head set screw with flat point	1
	8	U070-FA049	Speed regulating bracket	1
	9	U065-FA100	Hexagon nut with flange	1
	10	U070-FA050	Guard plate for throttle combination	1
FIG.11	1	U065-FA100	Hexagon nut with flange	2
	2	U070-FA052	Muffler guard shield	1
	3	U070-FA053	Muffler	1
	4	U065-FA105	Muffler gasket	1
FIG.12	1	U065-FA106	Tank cover	1
	2	U065-FA100	Hexagon nut with flange	1
	3	U065-FA108	Flat washer	1
	4	U070-FA054	Tank	1
	5	U065-FA013	Hexagon bolt with flange	1
	6	U065-FA112	Fuel filter	1
	7	U065-FA113	Location wire nail	1
	8	U070-FA057	Oil tube	1
	9	U065-FA115	Pipe clip	2