

CONTENT

ENGINE PART

		A1000N2 : Branson 2100, 2200
		A1100N2 : Branson 2400, 2500
		A1100AR : RGO-80SD
		A1100T1 : Branson 2800, 2900
		A1100T2 : BRANSON 3100
A01.	CYLINDER BLOCK	
A02.	OIL PAN	
A03.	CYLINDER HEAD	
A04.	GEAR CASE	
A05.	HEAD COVER	
A06.	OIL FILTER	
A07.	OIL GAUGE	
A08.	MAIN BEARING CASE	
A09.	CAM SHAFT & IDLE SHAFT	
A10.	PISTON & CRANK SHAFT	
A11.	FLYWHELL	
A12.	FUEL CAM SHAFT & GOVERNOR SHAFT	
A13.	IDLE APPARATUS	
A14.	FUEL INJECTION PUMP	
A15.	GOVERNOR	
A16.	SPEED CONTROL PLATE	
A17.	INJECTOR & GLOW PLUG	
A18.	FEED PUMP	
A19.	WATER PUMP FLANGE % THERMOSTAT	
A20.	WATER PUMP	
A21.	ROCKER ARM	
A22.	INTAKE MANIFOLD	
A23.	EXHAUST MANIFOLD	
A24.	STOP SOLENOID	
A25.	ALTERNATOR & PULLY	
A26.	STARTING MOTOR	
A27.	EXHAUST SILENCER	
A28.	TURBO CHARGER & EXHAUST SILENCER	
A29.	COOLING PAN	
A30.	OIL PRESSURE SWITCH	
A31.	OIL PIPE	

TRACTOR PART

01	AIR CLEANER
02	COMP.MUFFLER
03	ACCELERATOR LEVER
05	FUEL TANK
06	FUEL PIPE
07	WATER PIPE
08	RADIATOR
09	RESERVE TANK
10	BATTERY
11	SWITCH
12	PANNEL BOARD
13	HEAD LIGHT
14	TAIL LIGHT
15	WINKER LIGHT
16	ELECTRICAL WIRING
17	CLUTCH
18	CLUTCH ROD
19	CLUTCH PADAL
20	CLUTCH HOUSING
21	CENTER FRAME
22	TRANSMISSION CASE
23	TRANSMISSION CASE_HST
24	DIFFERENTIAL GEAR CASE
25	REAR AXLE CASE
26	CLUTCH SHAFT
27	PROPELLER SHAFT
28	PROPELLER SHAFT_HST

CONTENT

29	HST
30	FRONT SHAFT
31	FRONT SHAFT_HST
32	PTO SHAFT
33	PTO SHAFT-HST
34	MID PTO
35	MID PTO-HST

37	REAR DIFFERENTIAL
38	FRONT WHEEL PROPELLER SHAFT
39	FRONT WHEEL PROPELLER SHAFT-HST
40	2ND. SHAFT
41	2ND. SHAFT-HST
42	3RD. SHAFT
43	3RD. SHAFT-HST
44	4TH. SHAFT
45	4TH SHAFT-HST
46	MAIN GEAR SHIFT FORK
47	RANGE GEAR SHIFT FORK
48	PTO GEAR SHIFT FORK
49	PTO GEAR SHIFT FORK-HST
50	DIFFERENTIAL LOCK SHIFTFORK
51	REAR AXLE
52	BRAKE
53	BRAKE ROD
54	BRAKE PEDAL
55	BRAKE SWITCH
56	SIDE BRAKE_EU
57	MAIN GEAR SHIFT LEVER
58	NEUTRE HOLDER LINK-HST
59	F-R PEDAL-HST
60	CRUSE LEVER-HST
61	RANGE GEAR SHIFT LEVER
62	FRONT WHEEL DRIVE LEVER
63	PTO GEAR SHIFT LEVER
65	POSITION VALVE LEVER
66	DIFFERENTIAL LOCK PEDAL
67	DIFFERENTIAL LOCK PEDAL-HST
68	FRONT AXLE FRAME
69	FRONT AXLE CASE
70	FRONT DIFFERENTIAL
71	DIFFERENTIAL GEAR SHAFT
72	BEVEL GEAR CASE
73	FRONT AXLE CASE
74	FRONT AXLE
75	FRONT DRIVE SHAFT
76	FRONT DRIVE SHAFT-HST
77	PST COVER
78	TIE ROD
79	STEERING HANDLE
80	STEERING POST
81	HYDRAULIC STEERING VALVE
82	HYDRAULIC PUMP
83	HYDRAULIC OIL LINE(SUCTION)
84	HYDRAULIC OIL LINE(DELIVERY)
85	HYDRAULIC OIL LINE(STEERING)
86	HYDRAULIC OIL LINE(HST)
87	HYDRAULIC OIL LINE(HST)
88	HYDRAULIC OIL LINE(CLUTCH HOUSING)
89	HYDRAULIC OIL LINE-HST
91	HYDRAULIC CYLINDER
92	HYDRAULIC PISTON
94	FEED BACK LEVER(POSITION)
96	POSITION VALVE
97	3-POINT LINKAGE(LIFT LINK)
98	LOWER LINK

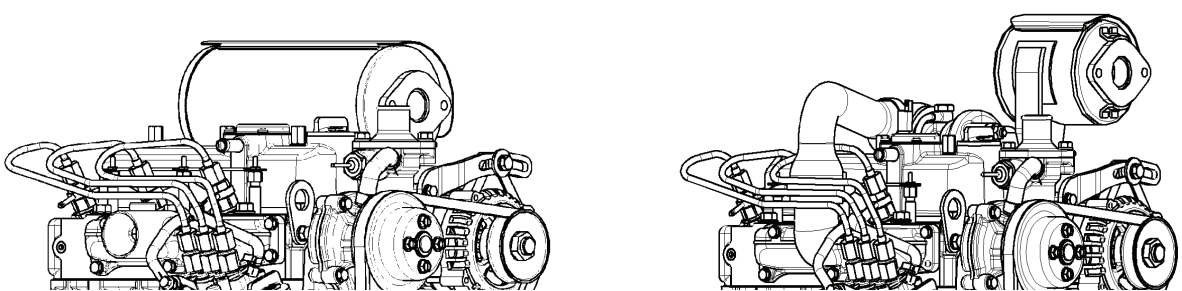
(CONTENT)

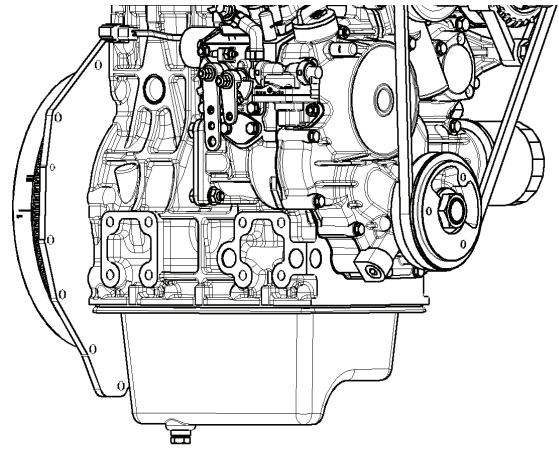
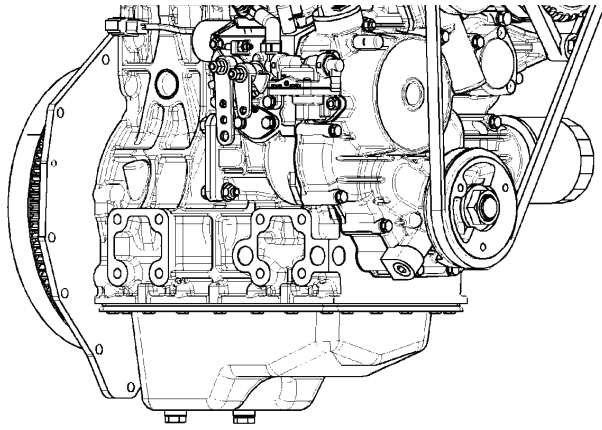
99	3-POINT LINKAGE(TOP LINK)
100	CHECK CHAIN
101	DRAW BAR
102	PTO PROTECTOR
103	HOOD
104	PANEL COVER
105	SHUTTER PLATE
106	LEVER GUIDE
107	LEVER GUIDE-HST
108	FENDER
109	FENDER STAY
110	FLOOR SEAT
111	SEAT
112	STEP
113	ROPS
114	MID ROPS

116	NAME PLATE LAMP ASSY_EU
118	FRONT WHEEL
119	REAR WHEEL
120	DECAL
121	BALLAST WEIGHT
122	REAR VIEW MIRROR
123	SCV 2PORT

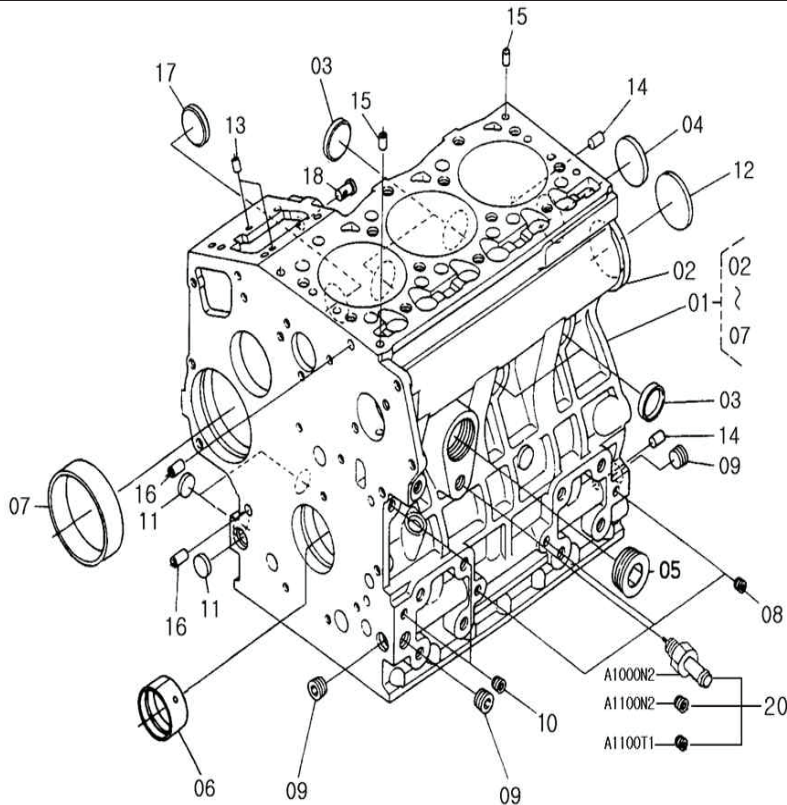
A. (ENGINE PART)

A1000N2/A1100N2/A1100-AR/A1100T1/A1100T2



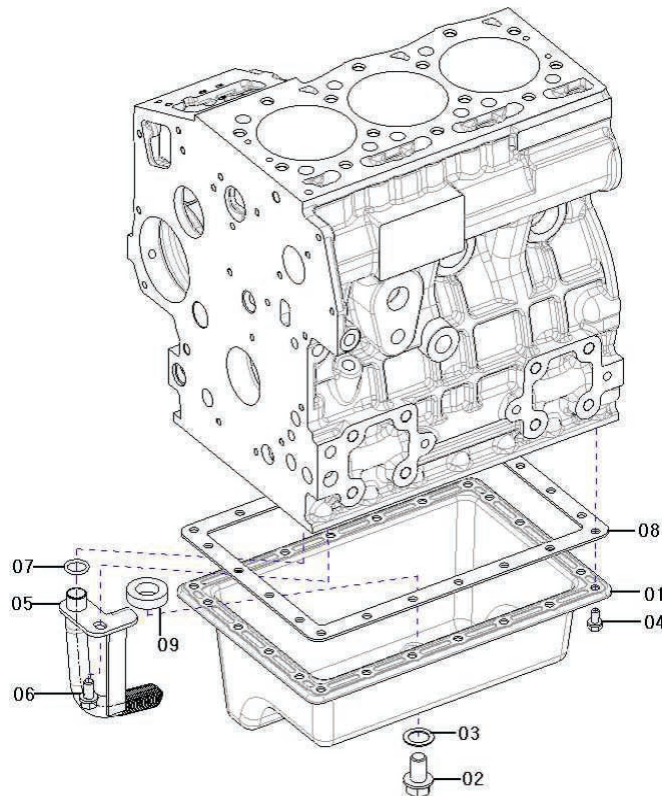


A01. (CYLINDER BLOCK)



No.	Part No.	Part	Name	(Q'ty)	N2	0 T1	Remarks
01	HS01010000A		COMP. BLOCK, CYLINDER	1	X		
	HT01010000A		COMP. BLOCK, CYLINDER	1			
	EA00000968A		COMP. BLOCK, CYLINDER	1		X	
02	HS01010101C		BLOCK, CYLINDER	1	X		
	HT01010101C		BLOCK, CYLINDER	1			
	EA00000969C		BLOCK, CYLINDER	1		X	
03	27241-280000		PLUG, EXPANSION	4	X	X	
04	27241-300000		PLUG, EXPANSION	1	X	X	
05	HM23030000A		PLUG, THREADED	1	X	X	
06	HT01010400A		BUSHING, MAIN	1	X	X	
07	HT01010900A		BUSHING, GOVERNOR	1	X	X	
08	HT01010200A		PLUG, PIPE	3	X	X	PT 1/16"
09	HT01010300A		PLUG, PIPE	3	X	X	PT 1/4"
10	23871-010000		PLUG, PIPE	3	X	X	
11	27231-180000		PLUG, EXPANSION	3	X	X	
12	27231-450000		PLUG, EXPANSION	1	X	X	
13	HT01010500A		PIN, DOWEL	2	X	X	
14	22312-080140		PIN, DOWEL	2	X	X	
15	22351-060012		PIN, SPRING	2	X	X	
16	HT01010600A		PIN, PIPE	2	X	X	
17	HT01010700A		CAP, SEALING	1	X	X	
18	HT01010800A		PIN, STATER SPRING	1	X	X	
20	CA09470000B		NIPPLE, PLAIN JOINT	1	X	X	
	23871-020000		PLUG, PIPE	1			

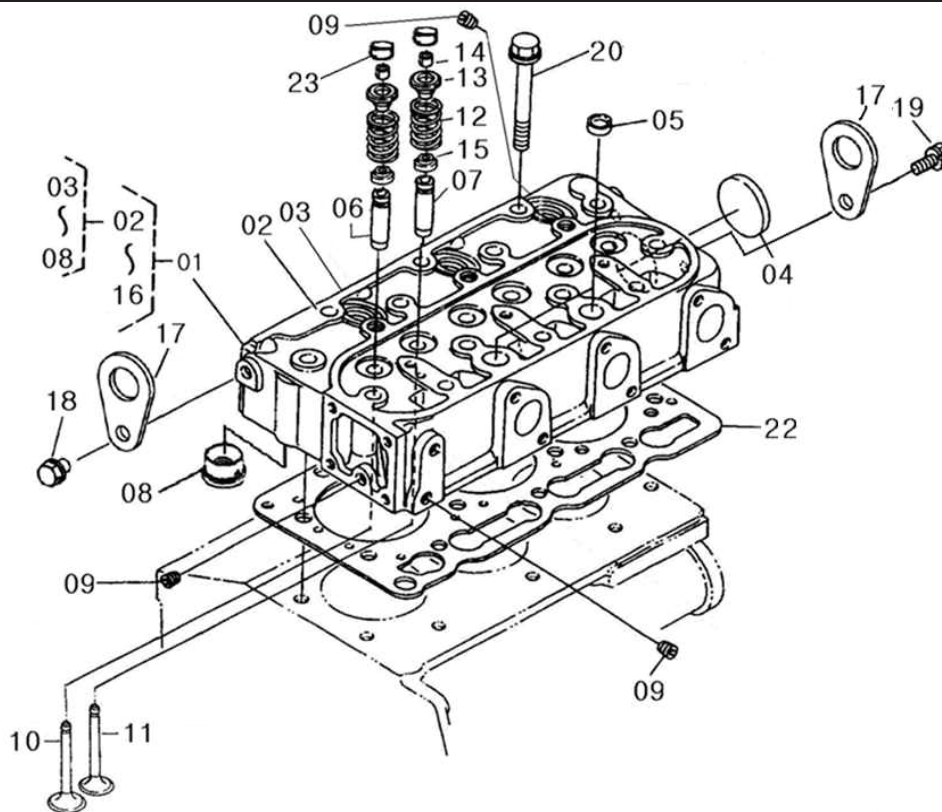
A02. (OIL PAN)



No.	Part No.	Part	Name	(Q'ty)	A1000 N2	A1100 0 T1	Remarks
01	EA00000865B		ASS'Y PAN, OIL	1	X	X	
02	EA00001475A		DRAIN PLUG	1	X	X	
03	24311-000140		O-RING	1	X	X	
04	26013-060122		BOLT	22	X	X	M6X12
05	EA00000869A		ASS'Y FILTER, OIL	1	X	X	
06	26013-080162		BOLT	1	X	X	M8X16
07	24311-000160		SEAL, O-RING	1	X	X	

08	HT02030000A	PACKING, OIL PAN	1	X	X
09	HF01470000A	MAGNET	1	X	X

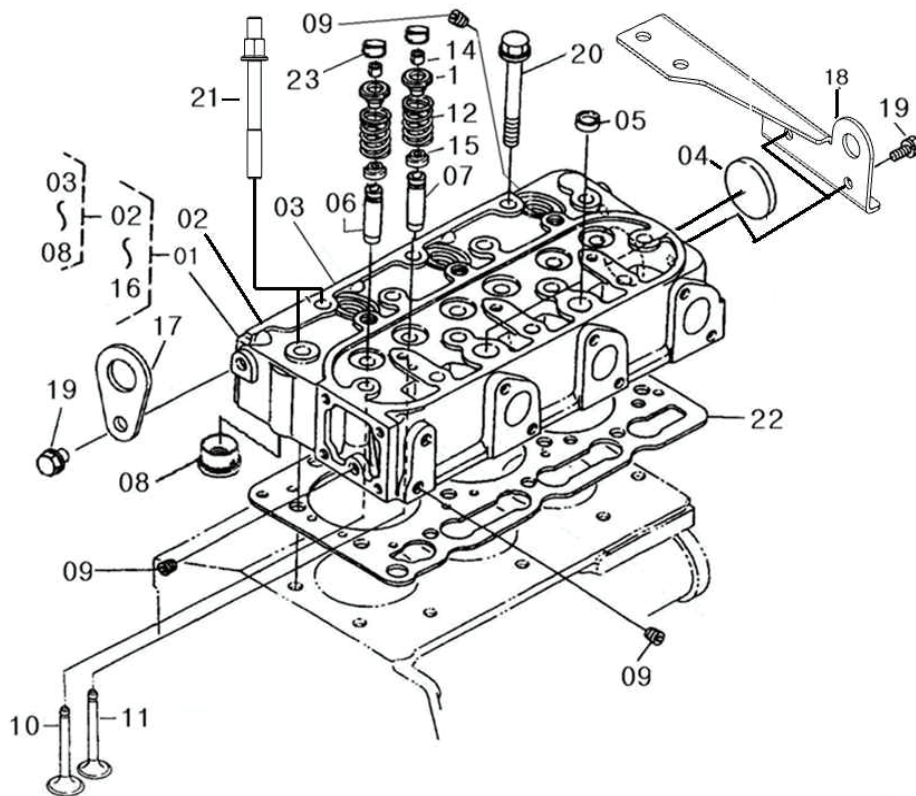
A03. (CYLINDER HEAD)



No.	Part No.	Part Name	(Q'ty)	A1000 N2	A110 0 T1	Remarks
01	HS03010000C	COMP. HEAD, CYLINDER	1	X		
	HT03010000B	COMP. HEAD, CYLINDER	1			
02	HS03010100A	COMP. HEAD, CYLINDER	1	X		
	HT03010100A	COMP. HEAD, CYLINDER	1			
03	HS03010101A	HEAD, CYLINDER	1	X		
	HT03010101A	HEAD, CYLINDER	1			
04	27241-300000	PLUG, EXPANSION	1	X		
05	27241-180000	PULG, EXPANSION	2	X		
06	HT03010102A	GUIDE, INLET VALVE	3	X		
07	HT03010103A	GUIDE, EXHAUST VALVE	3	X		
08	HS03010104A	CHAMBER, INJECTION	3	X		
	HT03010104A	CHAMBER, INJECTION	3			
09	23871-010000	PLUG, PIPE	3	X		PT 1/8"
10	HT03010200A	VALVE, INLET	3	X		
11	HT03010300A	VALVE, EXHAUST	3	X		
12	HT03010400A	SPRING, VALVE	6	X		

13	HT03010500A	RETAINER, VALVE SPRING	6	X	
14	HT03010600A	COLLCET, VALVE SPRING	12	X	
15	HC03090000A	SEAL, VALVE STEM	6	X	
17	HT03020000A	HOOK, ENGINE	2	X	
18	RA00009583A	HOOK, ENGINE	1		
19	26013-080122	BOLT	3	X	M8X12
20	HT03030000A	BOLT, CYLINDER HEAD	14	X	
21	EA00000452A	BOLT, CYLINDER HEAD	2		
22	HT03040000B	GASKET,CYLINDER HEAD	1	X	
23	EA00000545A	CAP, VALVE	6	X	

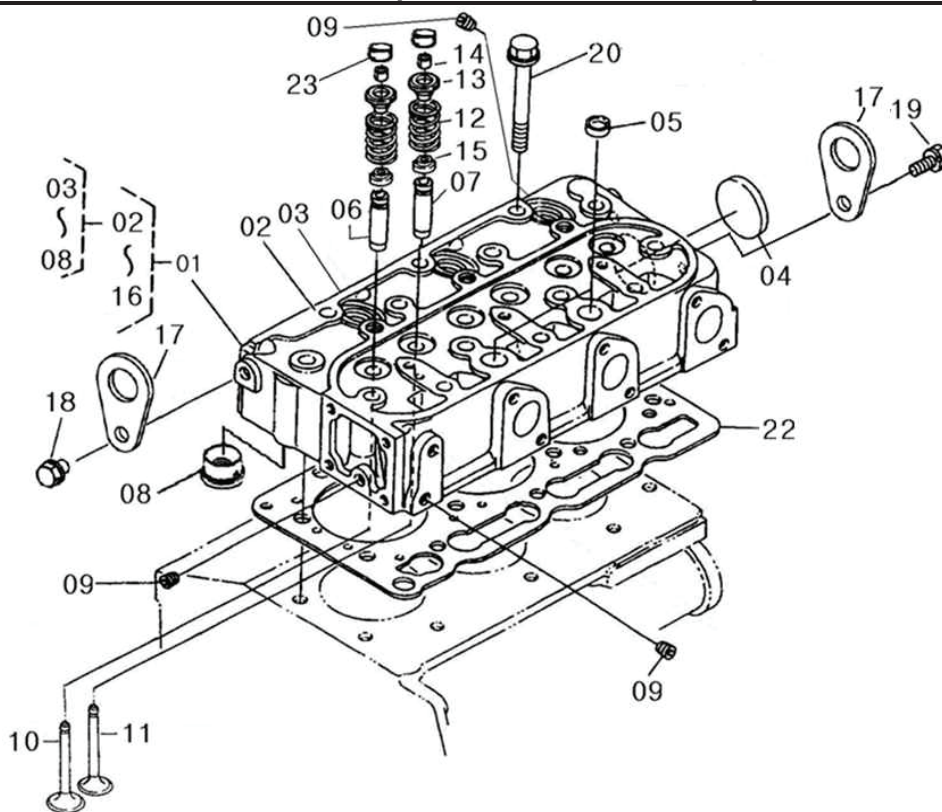
A03. (CYLINDER HEAD)



No.	Part No.	Part Name	(Q'ty)	A1000 N2	A110 0 T1	Remarks
01	HS03010000C	COMP. HEAD, CYLINDER	1			
	HT03010000B	COMP. HEAD, CYLINDER	1			
02	HS03010100A	COMP. HEAD, CYLINDER	1			
	HT03010100A	COMP. HEAD, CYLINDER	1			
03	HS03010101A	HEAD, CYLINDER	1			
	HT03010101A	HEAD, CYLINDER	1			
04	27241-300000	PLUG, EXPANSION	1			
05	27241-180000	PULG, EXPANSION	2			
06	HT03010102A	GUIDE, INLET VALVE	3			
07	HT03010103A	GUIDE, EXHAUST VALVE	3			
08	HS03010104A	CHAMBER, INJECTION	3			
	HT03010104A	CHAMBER, INJECTION	3			
09	23871-010000	PLUG, PIPE	3			PT 1/8"
10	HT03010200A	VALVE, INLET	3			
11	HT03010300A	VALVE, EXHAUST	3			
12	HT03010400A	SPRING, VALVE	6			
13	HT03010500A	RETAINER, VALVE SPRING	6			
14	HT03010600A	COLLCET, VALVE SPRING	12			
15	HC03090000A	SEAL, VALVE STEM	6			
17	HT03020000A	HOOK, ENGINE	1			
18	RA00009583A	HOOK, ENGINE	1			
19	26013-080122	BOLT	3			M8X12

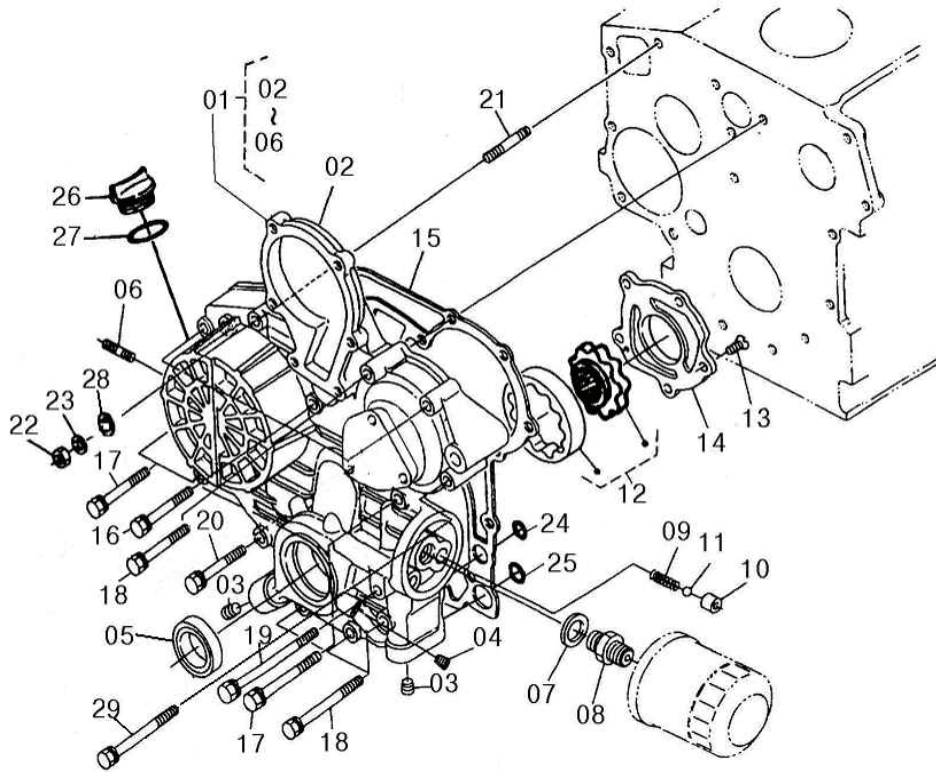
20	HT03030000A	BOLT, CYLINDER HEAD	12
21	EA00000452A	BOLT, CYLINDER HEAD	2
22	HT03040000B	GASKET,CYLINDER HEAD	1
23	EA00000545A	CAP, VALVE	6

A03. (CYLINDER HEAD)



No.	Part No.	Part Name	(Q'ty)	A1000 N2	ATTU 0 T4	Remarks
01	HS03010000C	COMP. HEAD, CYLINDER	1			
	HT03010000B	COMP. HEAD, CYLINDER	1		X	
02	HS03010100A	COMP. HEAD, CYLINDER	1			
	HT03010100A	COMP. HEAD, CYLINDER	1		X	
03	HS03010101A	HEAD, CYLINDER	1			
	HT03010101A	HEAD, CYLINDER	1		X	
04	27241-300000	PLUG, EXPANSION	1		X	
05	27241-180000	PULG, EXPANSION	2		X	
06	HT03010102A	GUIDE, INLET VALVE	3		X	
07	HT03010103A	GUIDE, EXHAUST VALVE	3		X	
08	HS03010104A	CHAMBER, INJECTION	3			
	HT03010104A	CHAMBER, INJECTION	3		X	
09	23871-010000	PLUG, PIPE	3		X	PT 1/8"
10	HT03010200A	VALVE, INLET	3		X	
11	HT03010300A	VALVE, EXHAUST	3		X	
12	HT03010400A	SPRING, VALVE	6		X	
13	HT03010500A	RETAINER, VALVE SPRING	6		X	
14	HT03010600A	COLLCET, VALVE SPRING	12		X	
15	HC03090000A	SEAL, VALVE STEM	6		X	
17	HT03020000A	HOOK, ENGINE	2		X	
18	RA00009583A	HOOK, ENGINE	1			
19	26013-080122	BOLT	3		X	M8X12
20	HT03030000A	BOLT, CYLINDER HEAD	14		X	
21	EA00000452A	BOLT, CYLINDER HEAD	2			
22	HT03040000B	GASKET,CYLINDER HEAD	1		X	
23	EA00000545A	CAP, VALVE	6		X	

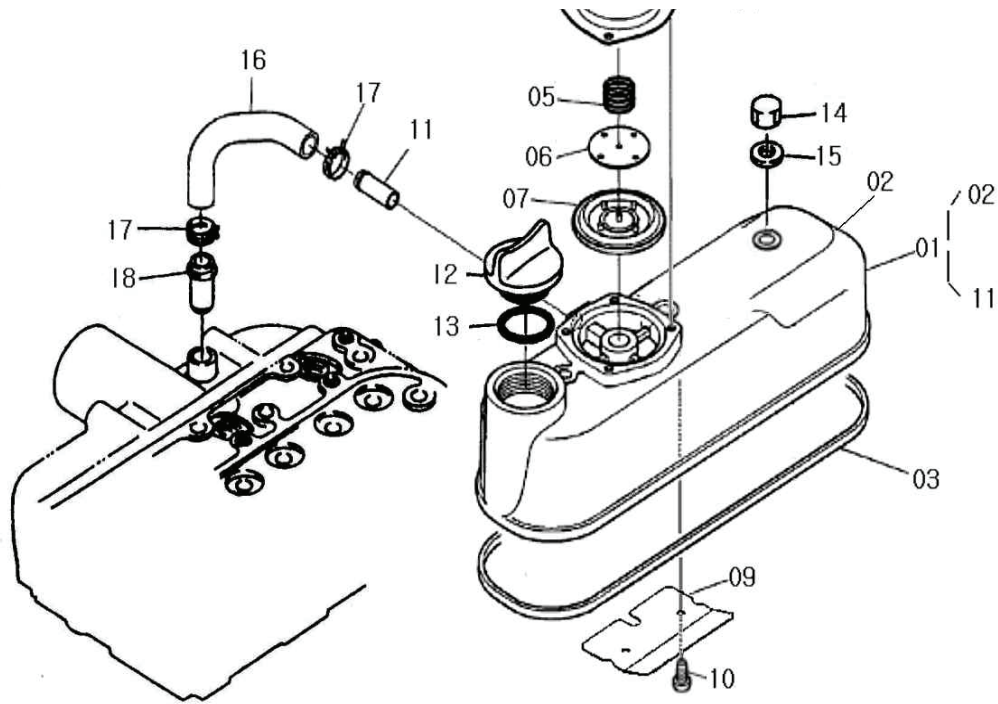
A.04. (GEAR CASE)



No.	Part No.	Part Name	(Q'ty)	A1000		Remarks
				N2	AT10	
01	HT04010000C	COMP.CASE GEAR	1	X	X	
02	HT04010100C	CASE, GEAR	1	X	X	
03	23871-030000	PLUG, EXPANSION	2	X	X	
04	23871-010000	PLUG, EXPANSION	1	X	X	
05	EA00001446A	SEAL, OIL	1	X	X	
06	26216-060122	STUD	2	X	X	
07	22117-180000	WASHER, PLAIN	1	X	X	
08	HT04020100A	PIPE, JOINT	1	X	X	
09	HT04020200B	SPRING	1	X	X	
10	HT04020300A	SEAT	1	X	X	
11	24190-160001	BALL, STEEL	1	X	X	
12	HT04030000A	ASS'Y ROTOR, OIL PUMP	1	X	X	
13	26577-060202	SCREW	5	X	X	
14	HT04050000A	COVER,OIL PUMP	1	X	X	
15	HT04060000A	GASKET,GEAR CASE	1	X	X	
16	26013-060452	BOLT	3	X	X	M6X45
17	26013-060502	BOLT	4	X	X	M6X50
18	26013-060552	BOLT	3	X	X	M6X55
19	HT04070000A	BOLT	1	X	X	M6X68
20	26013-060602	BOLT	1	X	X	M6X60
21	26216-060452	STUD	1	X	X	
22	26716-060002	NUT	1	X	X	M6
23	22217-060000	WASHER, LOCK	1	X	X	
24	24311-240100	SEAL, O-RING	2	X	X	
25	24311-000150	SEAL, O-RING	2	X	X	
26	HC03470000B	CAP, FILLER	1	X	X	
27	24311-000320	SEAL, O-RING	1	X	X	
28	22117-060000	WASHER, PLAIN	1	X	X	
29	EA00000820A	BOLT	1	X	X	M6X65

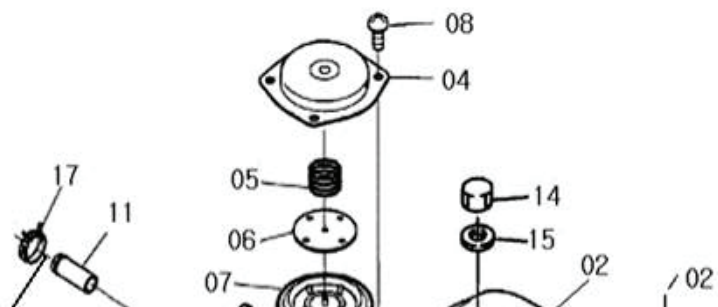
A05. (HEAD COVER)

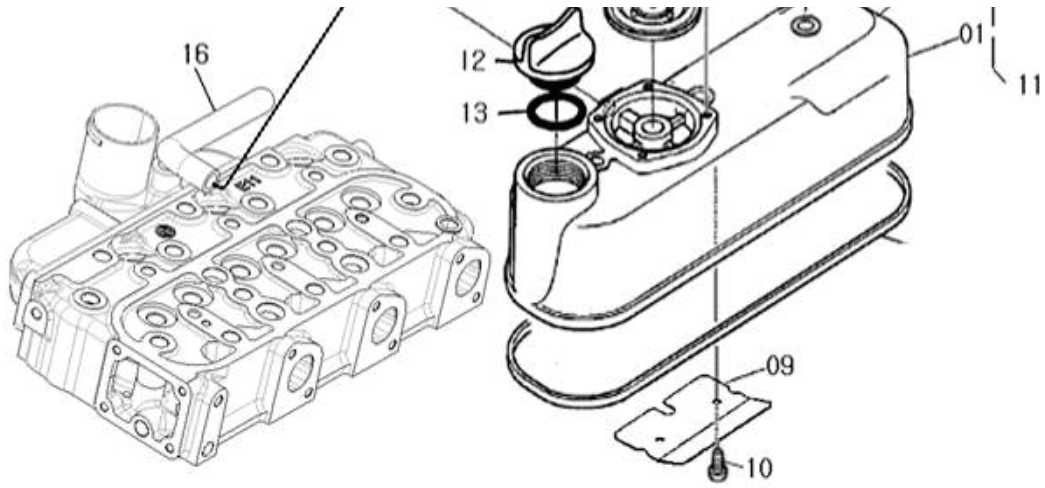




No.	Part No.	Part Name	(Q'ty)	A1000 N2	A110 0 T1	Remarks
01	HT05080000B	COMP. COVER, CYL. HEAD	1	X		
02	HT05080100A	COVER, CYL.HEAD	1	X		
03	HT05080200A	GASKET, HEAD COVER	1	X		
04	HT05080300A	COVER, BREATHER	1	X		
05	HT05080400A	SPRING, BREATHER	1	X		
06	HT05080500A	PLATE, SPRING	1	X		
07	HT05080600A	VALVE, BREATHER	1	X		
08	26022-050102	SCREW, WASHER	4	X		
09	HT05080700A	SHIELD, BREATHER	1	X		
10	26022-030062	SCREW, WASHER	2	X		
11	HT05080800B	JOINT, BREATHER	1	X		
12	HC03470000B	CAP, FILLER	1	X		
13	24311-000320	SEAL, O-RING	1	X		
14	26667-080002	NUT, CAP	3	X		
15	23414-080012	WASHER, SEALING	3	X		
16	HT05100000A	PIPE, BREARHER	1	X		
17	23000-016000	CLIP, V BAND	2	X		
18	HT05080800A	JOINT, BREATHER	1	X		

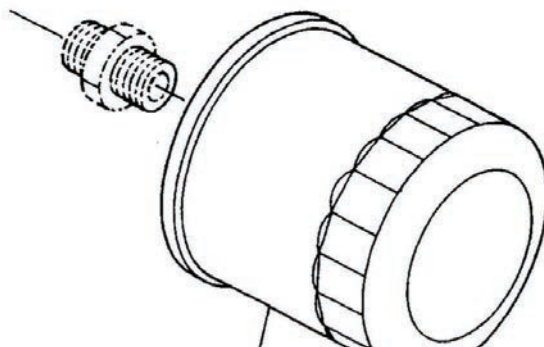
A05. (HEAD COVER)





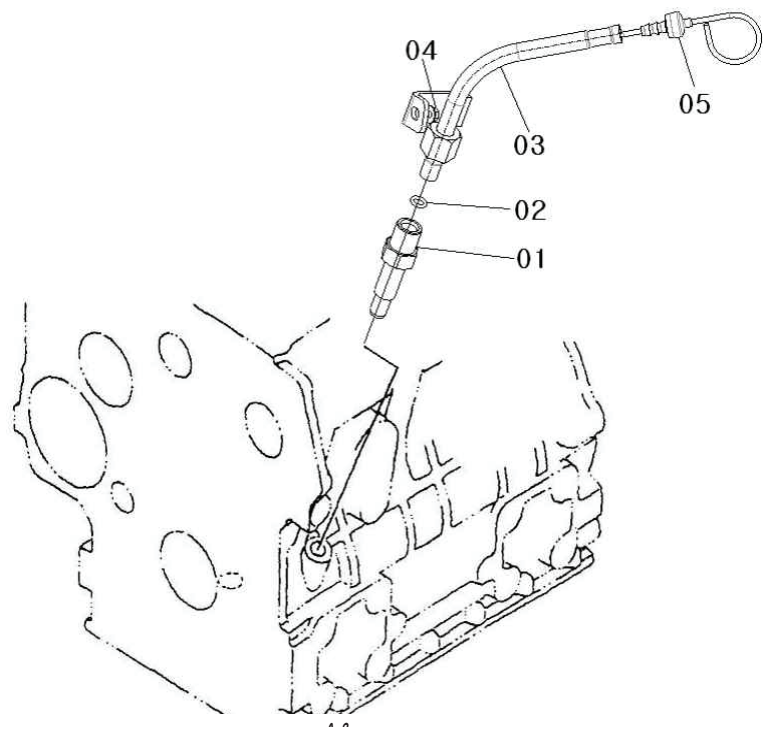
No.	Part No.	Part Name	(Q'ty)	A1000	A110	Remarks
				N2	T4	
01	HT05080000B	COMP. COVER, CYL. HEAD	1		X	
02	HT05080100A	COVER , CYL.HEAD	1		X	
03	HT05080200A	GASKET, HEAD COVER	1		X	
04	HT05080300A	COVER, BREATHER	1		X	
05	HT05080400A	SPRING, BREATHER	1		X	
06	HT05080500A	PLATE, SPRING	1		X	
07	HT05080600A	VALVE, BREATHER	1		X	
08	26022-050102	SCREW, WASHER	4		X	
09	HT05080700A	SHIELD, BREATHER	1		X	
10	26022-030062	SCREW, WASHER	2		X	
11	HT05080800B	JOINT, BREATHER	1		X	
12	HC03470000B	CAP, FILLER	1		X	
13	24311-000320	SEAL, O-RING	1		X	
14	26667-080002	NUT, CAP	3		X	
15	23414-080012	WASHER, SEALING	3		X	
16	EA00001060A	PIPE, BREARHER	1		X	
17	23080-015000	CLIP, V BAND	1		X	

A06. (OIL FILTER)



No.	Part No.	Part Name	(Q'ty)	A1000	A110	Remarks
				N2	0 T1	
01	HRA1102000A	ELEMENT, LUB. OIL FILTER	1	X	X	

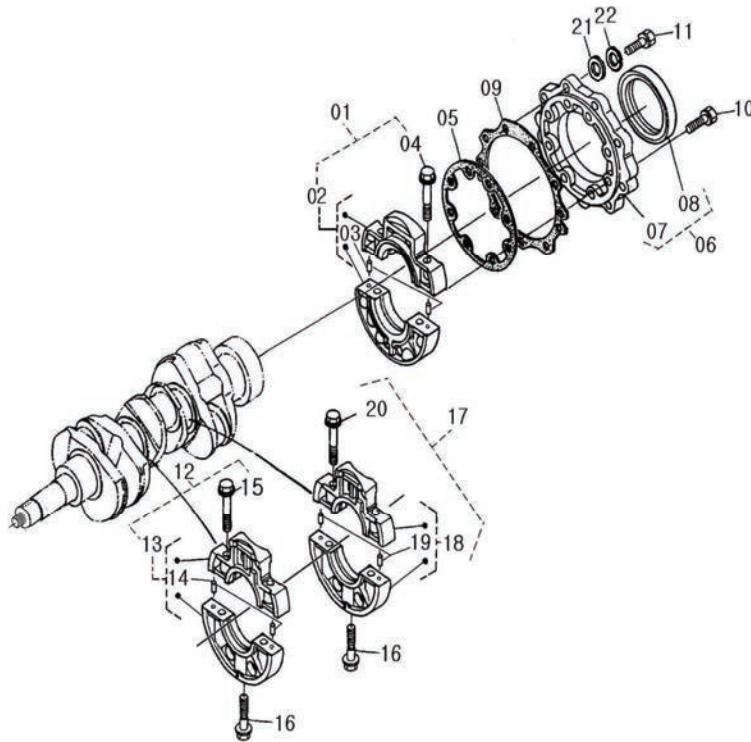
A07. (OIL GAUGE)





No.	Part No.	Part Name	(Q'ty)	A1000	A110	Remarks
				N2	0 T1	
01	HRT0300200A	GAUIDE, OIL GAUGE	1	X	X	
02	24311-000070	SEAL, O-RING	1	X	X	
03	EA00000767A	PIPE, GUIDE	1	X	X	
04	26367-060002	SCREW, HEX FLANGE HEAF	1	X	X	M6
05	EA00000771B	DIPSTICK	1	X		
	EA00000875A	DIPSTICK	1		X	

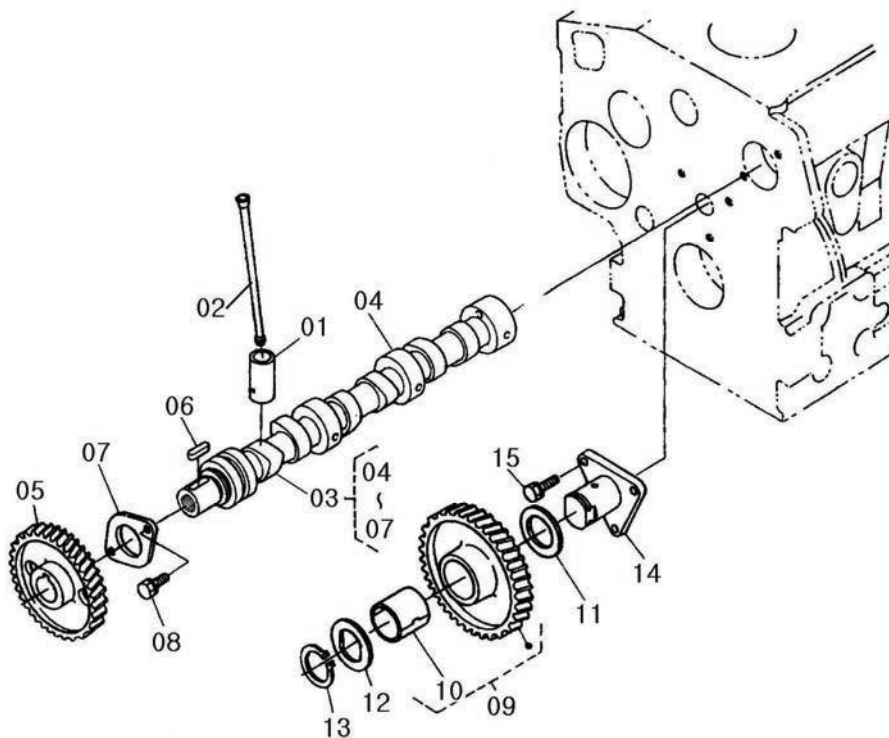
A08. (MAIN BEARING CASE)



No.	Part No.	Part Name	(Q'ty)	A1000	A110	Remarks
				N2	0 T1	
01	HT08010000A	ASS'Y CASE(A), MAIN BRG.	1	X	X	
02	HT08010100A	CASE(A), MAIN BRG.	1	X	X	

03	22312-040080	PIN, DOWEL	2	X	X
04	HT08010103A	BOLT_1, BRG. CASE	2	X	X
05	HT08020000A	GASKET, BRG. CASE	1	X	X
06	HT08030000B	ASS'Y COVER, BRG. CASE	1	X	X
07	HT08030100A	COVER, BRG. CASE	1	X	X
08	EA00001308A	SEAL, OIL	1	X	X
09	HT08040000A	GASKET, BRG. CASE COVEI	1	X	X
10	26014-060252	SCREW, CAPTIVE WASHER	8	X	X
11	26014-060202	SCREW, CAPTIVE WASHER	9	X	X
12	HT08050000A	ASS'Y CASE(C), MAIN BRG.	1	X	X
13	HT08050100A	CASE(C), MAIN BRG.	1	X	X
14	22312-040080	PIN, DOWEL	2	X	X
15	HT08010103A	BOLT_1, BRG. CASE	2	X	X
16	HT08060000A	BOLT_2, BRG. CASE	2	X	X
17	HT08070000A	ASS'Y CASE(B), MAIN BRG.	1	X	X
18	HT08070100A	CASE(B), MAIN BRG.	1	X	X
19	22312-040080	PIN, DOWEL	2	X	X
20	HT08010103A	BOLT_1, BRG. CASE	2	X	X
21	22117-060000	WASHER, PLAIN	9	X	X
22	22217-060000	WASHER, SPRING	9	X	X

A09. (CAM SHAFT & IDLE SHAFT)

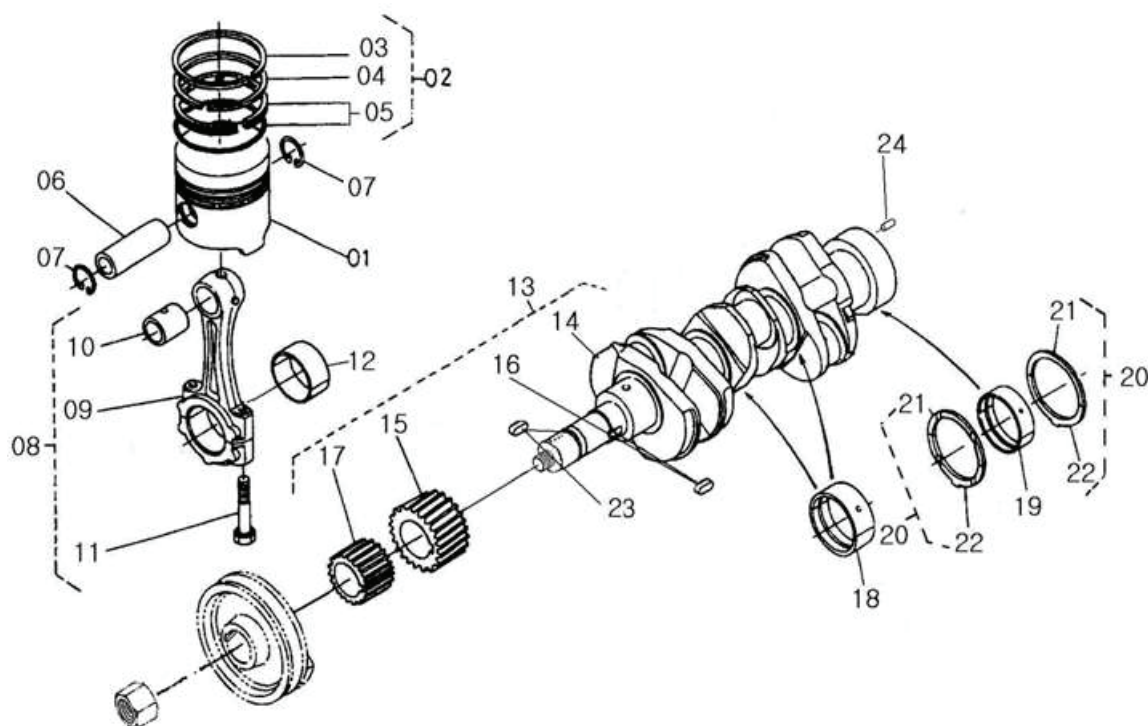


No.	Part No.	Part Name	(Q'ty)	A1000 N2	A1100 T1	Remarks
01	HT09010000A	TAPPET	6	X	X	
02	HT09020000A	PUSH ROD	6	X	X	
03	HT09030000A	COMP. CAMSHAFT	1	X	X	
04	HT09030100A	CAMSHAFT	1	X	X	
05	HT09030200A	GEAR, CAMSHAFT	1	X	X	
06	22512-050180	KEY, SQUARE	1	X	X	
07	HT09030300A	STOPPER, CAMSHAFT	1	X	X	
08	26013-060142	BOLT	2	X	X	M6X14
09	HT09040000A	COMP. GEAR(A), IDLE	1	X	X	

10	HT09040200A	BUSH, IDLE GEAR	1	X	X
11	HT09050000A	COLLAR_1, IDLE GEAR	1	X	X
12	HT09060000A	COLLAR_2, IDLE GEAR	1	X	X
13	HT09070000A	CIR. CLIP, IDLE GEAR	1	X	X
14	HT09080000A	SHAFT(A), IDLE GEAR	1	X	X
15	26013-060162	BOLT	3	X	X

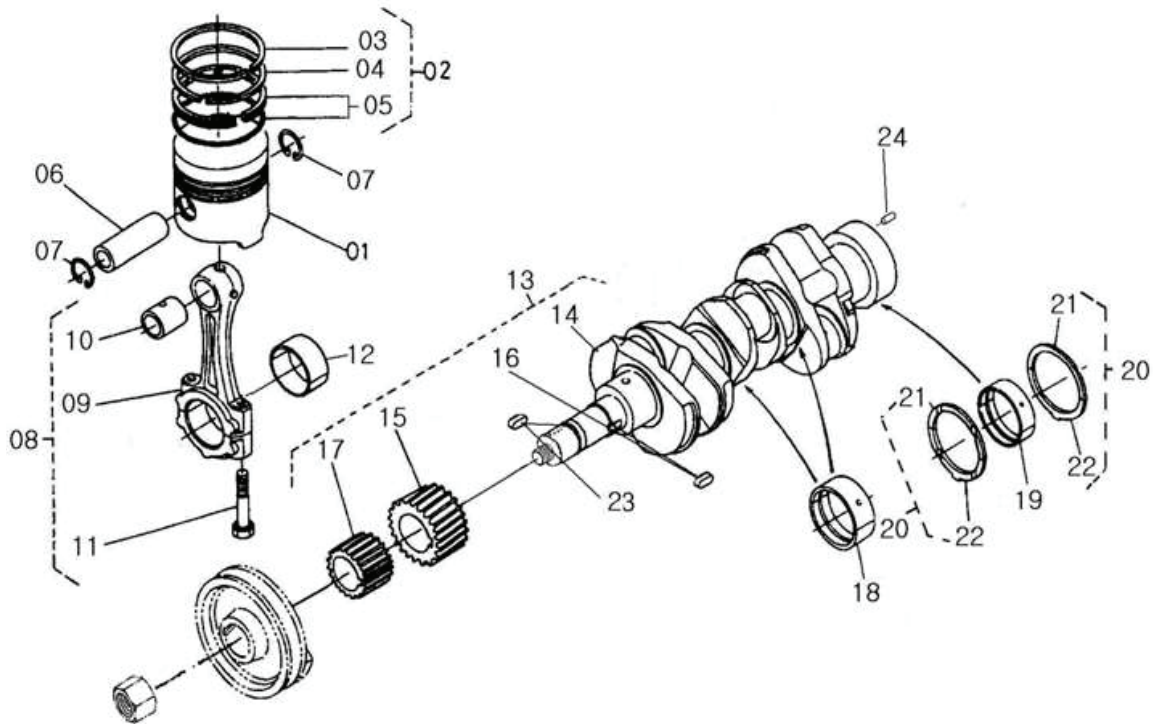
M6X16

A10. (PISTON & CRANK SHAFT)



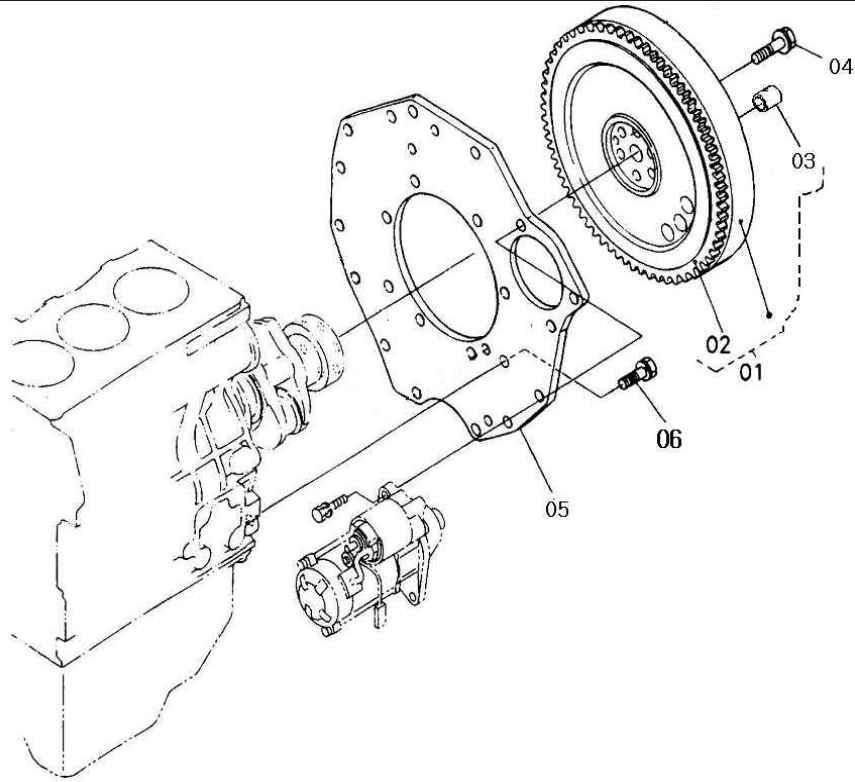
No.	Part No.	Part Name	(Q'ty)	A1000 N2	A1100 0 T1	Remarks
01	HS10010000B	PISTON	3	X		
	HT10010000B	PISTON	3		X	
02	HS10020000A	COMP. RING, PISTON	3	X		
03	HS10020100A	RING(1st), PISTON	3	X		
04	HS10020200A	RING(2nd), PISTON	3	X		
05	HS10020300A	RING, OIL	3	X		
02	HT10020000A	COMP. RING, PISTON	3		X	
03	HT10020100A	RING(1st), PISTON	3		X	
04	HT10020200A	RING(2nd), PISTON	3		X	
05	HT10020300A	RING, OIL	3		X	
06	HT10030000A	PIN, PISTON	3	X	X	
07	HT10040000A	CIR. CLIP, PISTON PIN	6	X	X	
08	HT10050000A	ASS'Y CONNECTING ROD	3	X	X	
09	HT10050100A	CONNECTING ROD	3	X	X	
10	HT10050200A	BUSHING, PISTON PIN	3	X	X	
11	HT10050300A	BOLT, CONNECTING ROD	6	X	X	
12	HT10060000A	COMP. METAL, CRANKPIN	3	X	X	
	HT10060100A	METAL, CRANKPIN	6	X	X	

13	HT10070000B	COMP. CRANKSHAFT	1	X	X
14	HT10070100A	CRANKSHAFT	1	X	X
15	HT10070200A	GEAR, CRANK SHAFT	1	X	X
16	22512-040160	KEY, SQUARE	1	X	X
17	HT10070300A	GEAR, OIL PUMP DRIVE	1	X	X
18	HT10080000A	ASS'Y METAL(B) CRANKSH,	2	X	X
	HT10080100A	METAL(B), CRANKSHAFT	4	X	X



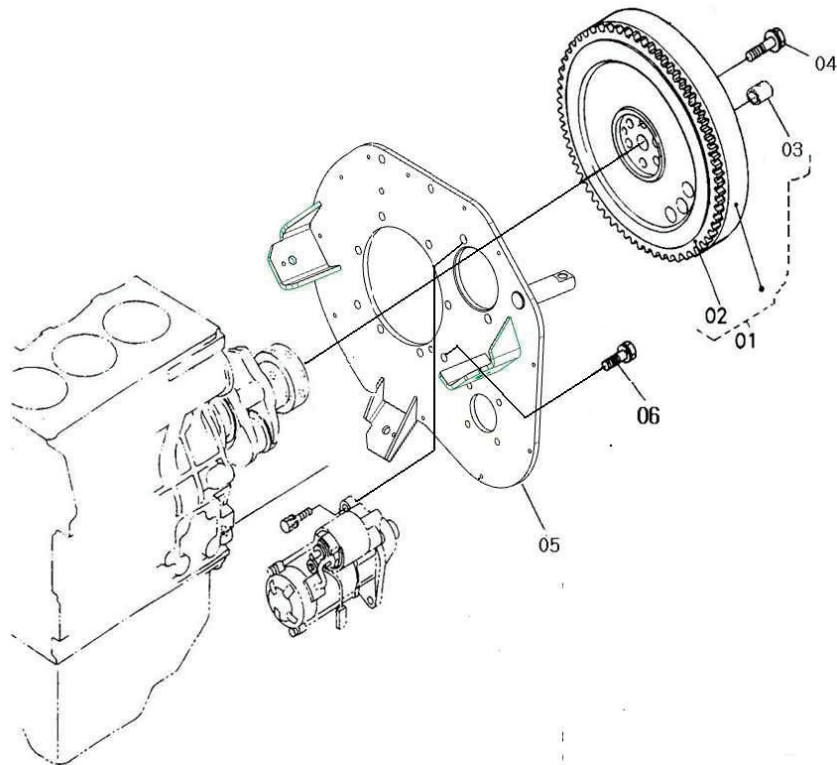
No.	Part No.	Part Name	(Q'ty)	A1000		Remarks
				N2	A1100 T1	
19	HT10090000A	COMP. METAL(A) CRANKSH	1	X	X	
	HT10090100A	METAL(A), CRANKSHAFT	2	X	X	
20	HT10100000A	COMP. METAL, SIDE	2	X	X	
21	HT10100100A	UPPER, SIDE METAL	2	X	X	
22	HT10100200A	LOWER, SIDE METAL	2	X	X	
23	22512-040160	KEY, SQUARE	1	X	X	
24	22312-080140	PIN, DOWEL	1	X	X	

A11. (FLYWHEEL)



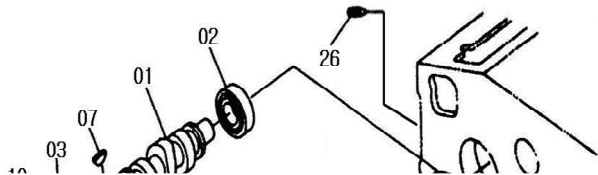
No.	Part No.	Part	Name	(Q'ty)	A1000	A110	Remarks
					N2	0 T1	
01	HT30010000A		ASS'Y FLYWHEEL	1	X	X	
	HT30010100A		FLYWHEEL				
	EA00000617A		ASS'Y FLYWHEEL	1			
	EA00000602A		FLYWHEEL				
02	HT11010200A		GEAR, RING	1	X	X	
03	CE21200000A		BEARING, DRY	1	X	X	15X18X23
04	HT11020000A		BOLT, FLYWHEEL	6	X	X	
05	HT11030000A		PLATE, REAR	1	X	X	
	RA00008094A		PLATE, REAR	1			
06	26013-100252		BOLT	8	X	X	M10X25

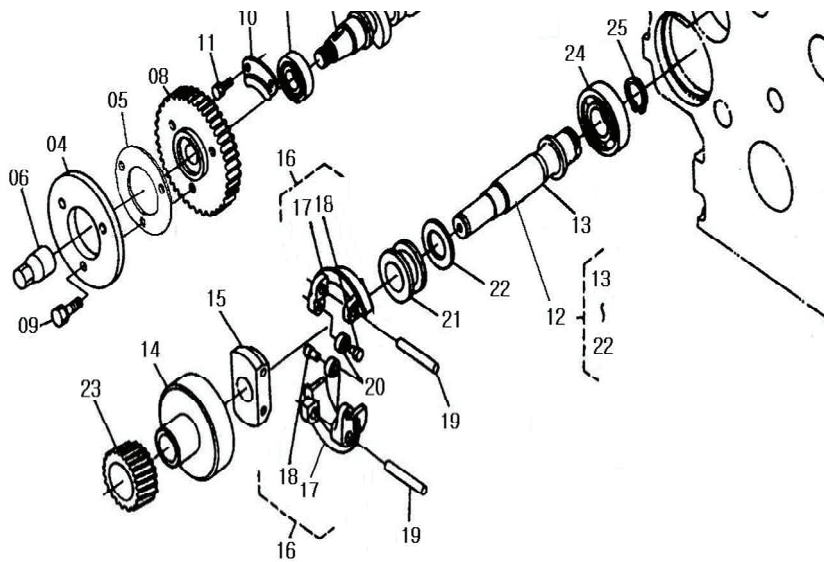
A11. (FLYWHEEL)



No.	Part No.	Part Name	(Q'ty)	A1000 N2	A110 0 T1	Remarks
01	HT30010000A	ASS'Y FLYWHEEL	1			
	HT30010100A	FLYWHEEL				
	EA00000617A	ASS'Y FLYWHEEL	1			
	EA00000602A	FLYWHEEL				
02	HT11010200A	GEAR, RING	1			
03	CE21200000A	BEARING, DRY	1			15X18X23
04	HT11020000A	BOLT, FLYWHEEL	6			
05	HT11030000A	PLATE, REAR	1			
	RA00008094A	PLATE, REAR	1			
06	26013-100252	BOLT	8			M10X25

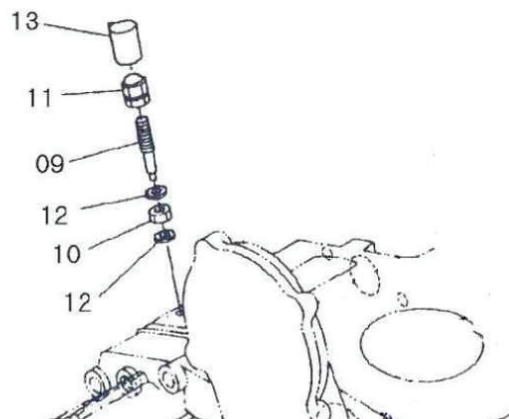
A12. (FUEL CAM SHAFT&GOVERNOR SHAFT)

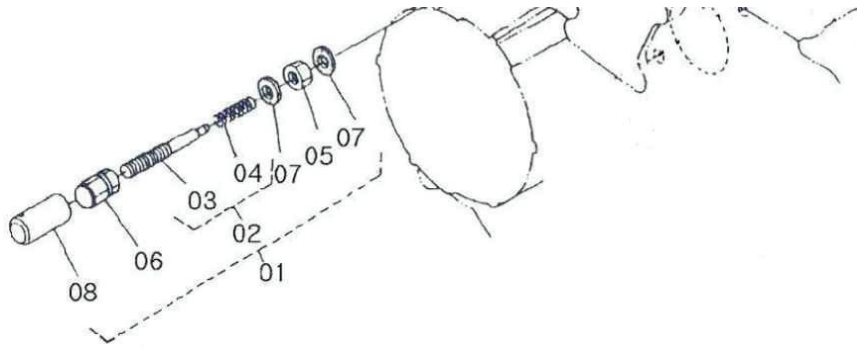




No.	Part No.	Part Name	Q'ty	A1000	A1100	Remarks
				N2	0	
01	HT12010000A	CAMSHAFT, FUEL	1	X	X	
02	24101-062024	BALL BEARING	1	X	X	
03	24121-062044	BALL BEARING	1	X	X	
04	HT12020000A	CAM, FUEL	1	X	X	
05	HT12030000A	SPACE, FUEL CAM	1	X	X	
06	HT12040000A	NUT, CAP	1	X	X	
07	HT12050000A	KEY, WOODRUFF	1	X	X	
08	HT12060000A	GEAR, INJECTION PUMP	1	X	X	
09	26013-060182	BOLT	3	X	X	M6X18
10	HT12070000A	STOPPER, FUEL.CAMSHAFT	1	X	X	
11	26013-060122	BOLT	2	X	X	M6X12
12	EA00001530A	COMP. SHAFT, GOVERNOR	1	X		
	HT12080000B	COMP. SHAFT, GOVERNOR	1		X	
13	HT12080100A	SHAFT, GOVERNOR	1	X	X	
14	HT12080200A	HOLDER, GOVERNOR GEAR	1	X	X	
15	HT12080400A	HOLDER, GOVERNOR WEIG	1	X	X	
16	EA00001531A	ASS'Y WEIGHT, GOVERNOR	2	X		
	HT12080500B	ASS'Y WEIGHT, GOVERNOR	2		X	
17	HT12080501A	WEIGHT, GOVERNOR	2	X	X	
18	HT12080503A	PIN, GOVERNOR WEIGHT	2	X	X	
19	HT12080600A	SHAFT, GOVERNOR WEIGH	2	X	X	
20	HT12080700A	ROLLER	2	X	X	
21	HT12080800A	SLEEVE, GOVERNOR	1	X	X	
22	HT12080900A	WASHER, THRUST	1	X	X	
23	HS12080300B	GEAR, GOVERNOR	1	X	X	
24	24101-062054	BALL BEARING	1	X	X	
25	TCA2010000A	CIR. CLIP, GOVERNOR SHAF	1	X	X	
26	HT12100000A	SCREW(A), SET	1	X	X	

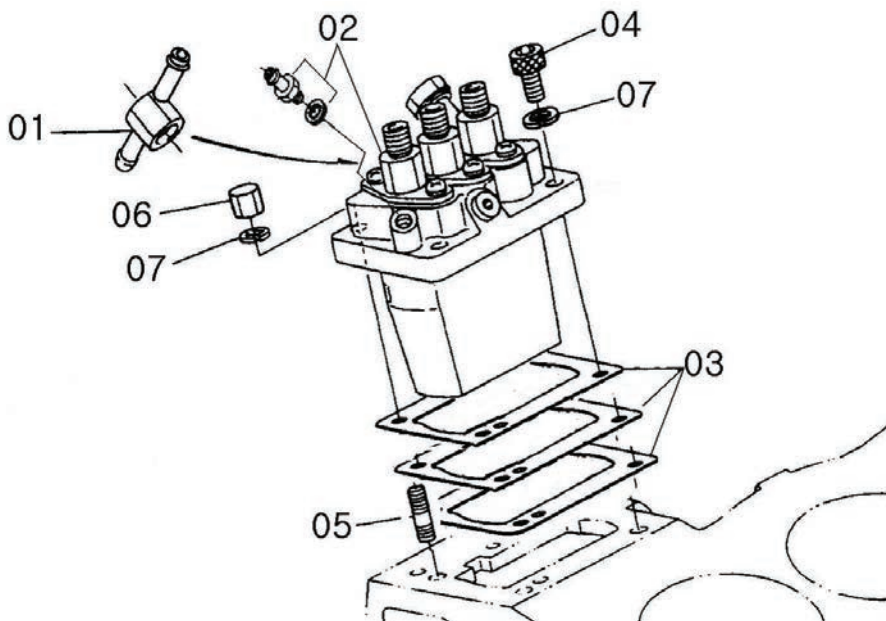
A13. (IDLE APPARATUS)





No.	Part No.	Part Name	(Q'ty)	A1000	A110	Remarks
				N2	0	
01	HT13010000A	COMP. APPARTUS, IDLE	1	X	X	
02	HT13010100A	COMP. BOLT, ADJUSTING	1	X	X	
03	HT13010101A	BOLT(A), ADJUSTING	1	X	X	
04	HT13010102A	SPRING, ADJUSTING	1	X	X	
05	HT13010200A	NUT	1	X	X	
06	HT13010300A	NUT, CAP	1	X	X	
07	HT13010400A	PACKING	2	X	X	
08	HT13010500A	CAP	1	X	X	
09	HT13020000A	BOLT(B), ADJUSTING	1	X	X	
10	HT13010200A	NUT	1	X	X	
11	HT13010300A	NUT, CAP	1	X	X	
12	HT13010400A	PACKING	2	X	X	
13	HT13010500A	CAP	1	X	X	

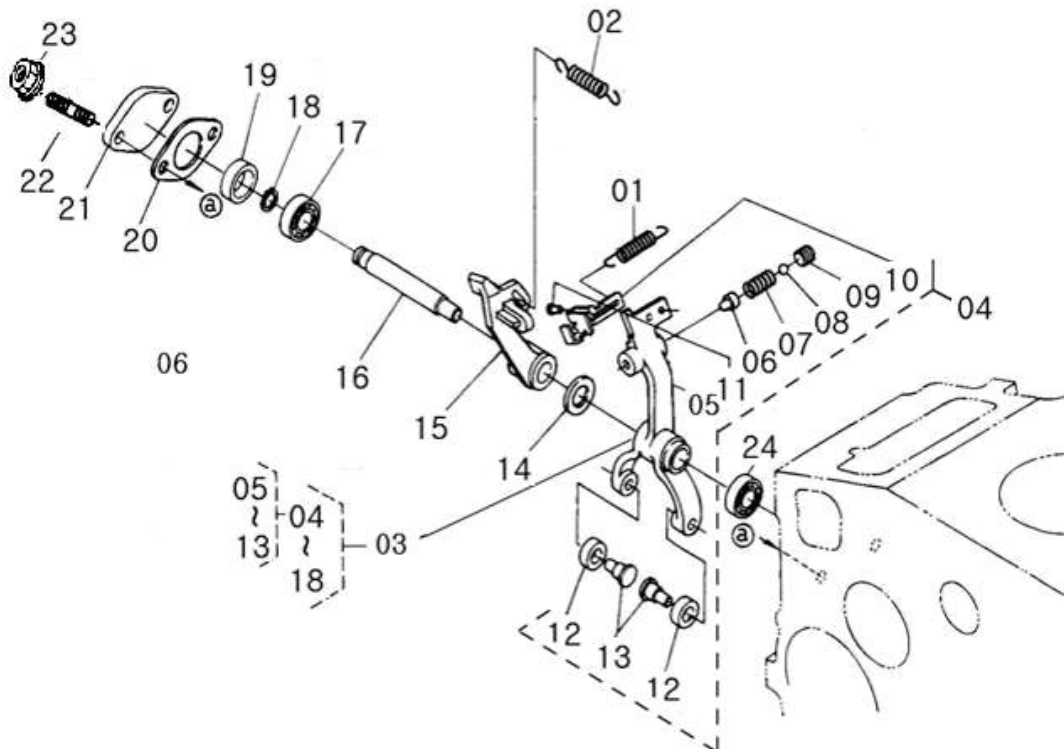
A14. (FUEL INJECTION PUMP)





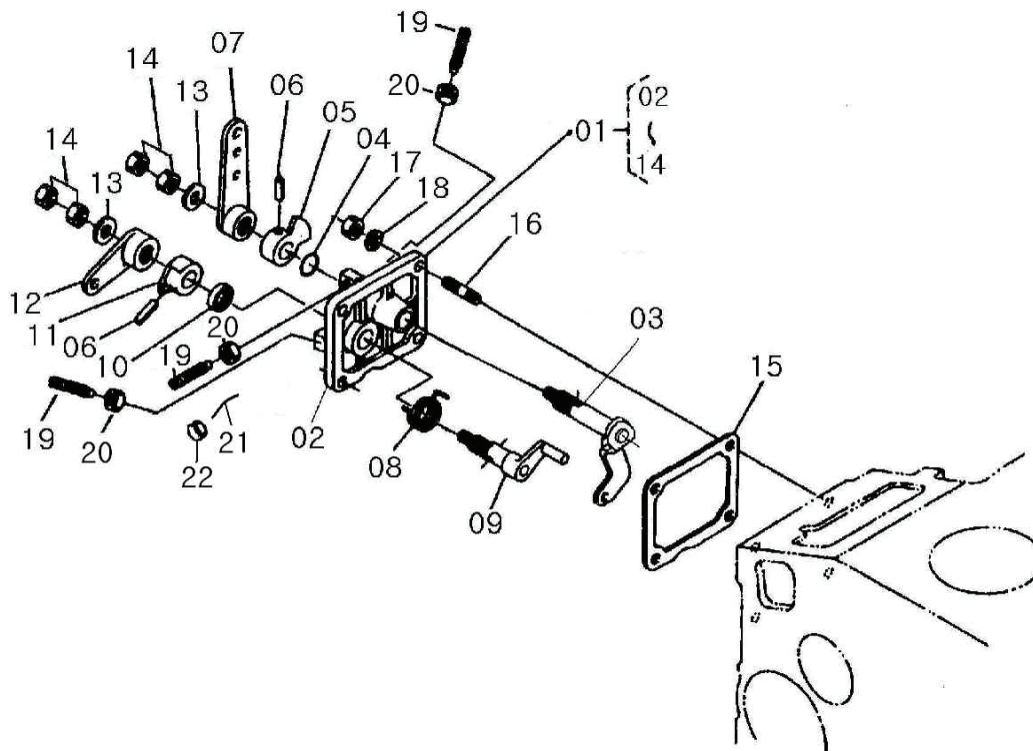
No.	Part No.	Part	Name	(Q'ty)	A1000	A110	Remarks
					N2	0	
01	HT14010000A		JOINT, EYE	1	X	X	
02	HT14020000A		ASS'Y PUMP, INJECTION	1	X	X	
03	HT14030000B		COMP. SHIM, INJECTION PU	1	X	X	
04	26450-060202		BOLT	2	X	X	
05	26216-060202		STUD	2	X	X	
06	HT14040000A		NUT, CAP	2	X	X	
07	22217-060000		WASHER, LOCK	4	X	X	

A15. (GOVERNOR)



No.	Part No.	Part	Name	(Q'ty)	A1000	A110	Remarks
					N2	0	
01	HT15010000A		SPRING, START	1	X	X	
	EA00001620A		SPRING, START	1			
02	HT15020000B		SPRING(A), GOVERNOR	1	X	X	
03	HT15040000A		COMP. LEVER, FORK	1	X	X	
04	HT15040100C		ASS'Y LEVER(A), FORK	1	X	X	
05	HT15040101B		LEVER(A), FORK	1	X	X	
06	HT15040102A		PIN	1	X	X	
07	HT15040103C		SPRING	1	X	X	
08	24190-050001		BALL, STEEL	1	X	X	
09	HT15040104B		SCREW(B), SET	1	X	X	
10	HT15040105B		LEVER, THRUST	1	X	X	
11	HT15040106A		PIN (A)	2	X	X	
12	HT12080700A		ROLLER	2	X	X	
13	HT15040107A		PIN (B)	2	X	X	
14	HT15040200A		WASHER, PLAIN	1	X	X	
15	HT15040300A		LEVER(B), FORK	1	X	X	
16	HT15040400B		SHAFT, FORK LEVER	1	X	X	
17	HT15040500A		BEARING 699, MINIATURIZE	1	X	X	
18	HT15040600A		CIR. CLIP, EXTERNAL	1	X	X	
19	HT15050000A		COLLAR	1	X	X	
20	HT15060000A		PACKING	1	X	X	
21	HT15070000A		COVER, FORK LEVER SHAF	1	X	X	
22	26012-060182		STUD	2	X	X	M6X18
23	26367-060002		NUT, HEXAGON FLANGE	2	X	X	M6
24	HT15080000A		BEARING 698, MINIATURIZE	1	X	X	

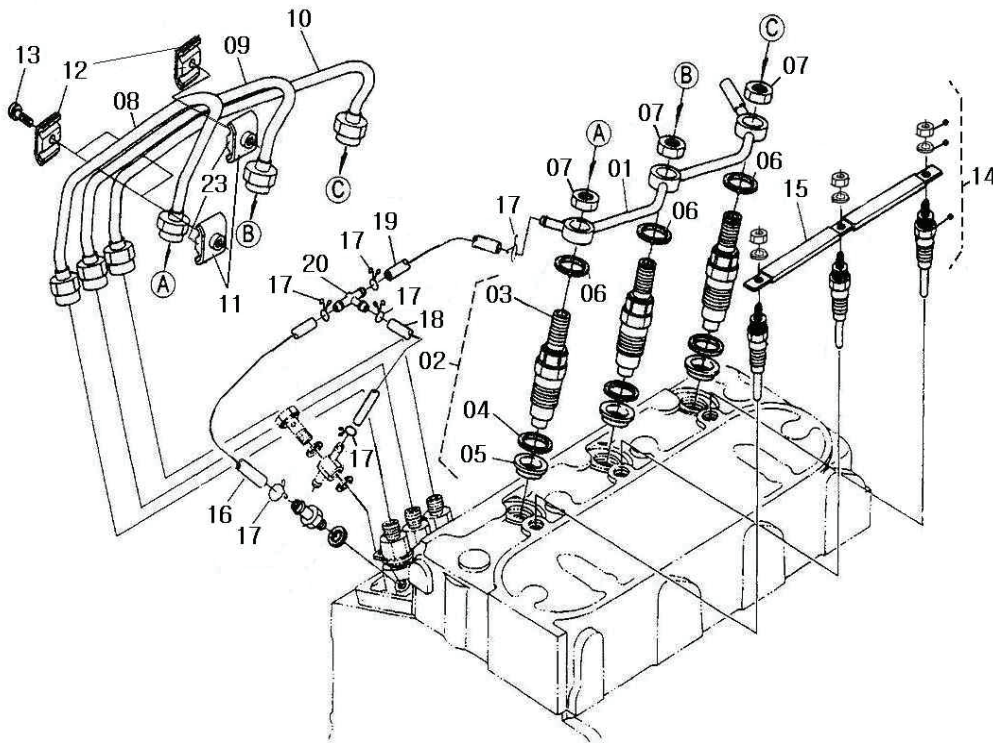
A16. (SPEED CONTROL PLATE)



No.	Part No.	Part	Name	(Q'ty)	A1000	A110	Remarks
					N2	0	
01	HT16010000A		ASS'Y PLATE, SPEED CONT	1	X	X	
02	HT16010100A		PLATE, SPEED CONTROL	1	X	X	
03	HT16010200A		ASS'Y LEVER, GOVERNOR	1	X	X	
04	24311-000100		SEAL, O-RING	1	X	X	
05	HT16010300A		LEVER(A), SPEED CONTROL	1	X	X	
06	22351-040020		PIN, SPRING	2	X	X	

07	HT16010400A	LEVER(B), SPEED CONTROI	1	X	X
08	HT16010500A	SPRING, RETURN	1	X	X
09	HT16010600A	ASS'Y SHAFT, STOP LEVER	1	X	X
10	RR26090000A	SEAL, OIL	1	X	X
11	HT16010700A	LEVER(C), SPEED CONTROI	1	X	X
12	HT16010800A	LEVER, ENGINE STOP	1	X	X
13	HT16010900A	WASHER, PLAIN	2	X	X
14	26716-060002	NUT	4	X	X
15	HT16020000A	GASKET	1	X	X
16	26216-060182	STUD	4	X	X
17	26716-060002	NUT, REGULAR HEXAGON	4	X	X
18	22217-060000	WASHER, LOCK	4	X	X
19	HT16030000A	BOLT, ADJUSTING	3	X	X
20	26716-060002	NUT, REGULAR HEXAGON	3	X	X
21	22451-100200	WIRE	2	X	X
22	HA14270000A	LEAD, SEALING	2	X	X

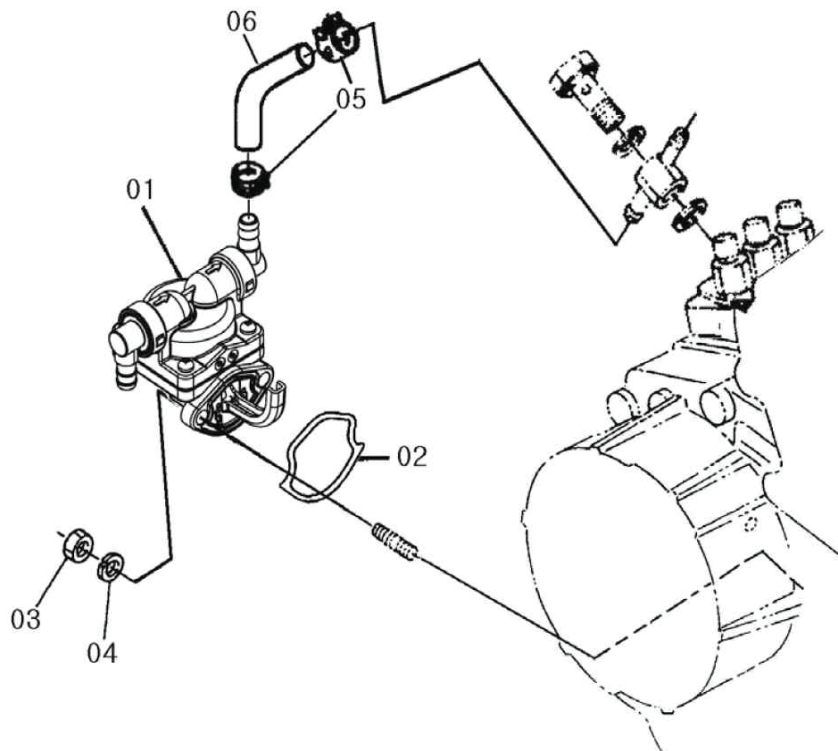
A17. (INJECTOR & GLOW PLUG)



No.	Part No.	Part Name	(Q'ty)	A1000		Remarks
				N2	0	
01	HT17010000A	ASS'Y PIPE, OVER FLOW	1	X	X	
02	HT17020000A	COMP, INJECTOR	3	X		
	EA00003024A	COMP, INJECTOR	3			
	EA00001097A	COMP, INJECTOR	3		X	
03	HT17020100A	COMP, INJECTOR	3	X		
	HK12020000A	COMP, INJECTOR	3			
	EA00000965A	COMP, INJECTOR	3		X	
04	HRA0404900A	SEAL, GASKET	3	X	X	
05	HRA0405000A	SPACER	3	X	X	
06	HK13440000A	GASKET, FUEL MANIFOLD	3	X	X	
07	HK13450000A	NUT, REGULAR HEXAGON	3	X	X	
08	HT17040000A	PIPE(A), INJECTION	1	X		
	EA00000858A	PIPE(A), INJECTION			X	
09	HT17050000A	PIPE(B), INJECTION	1	X	X	

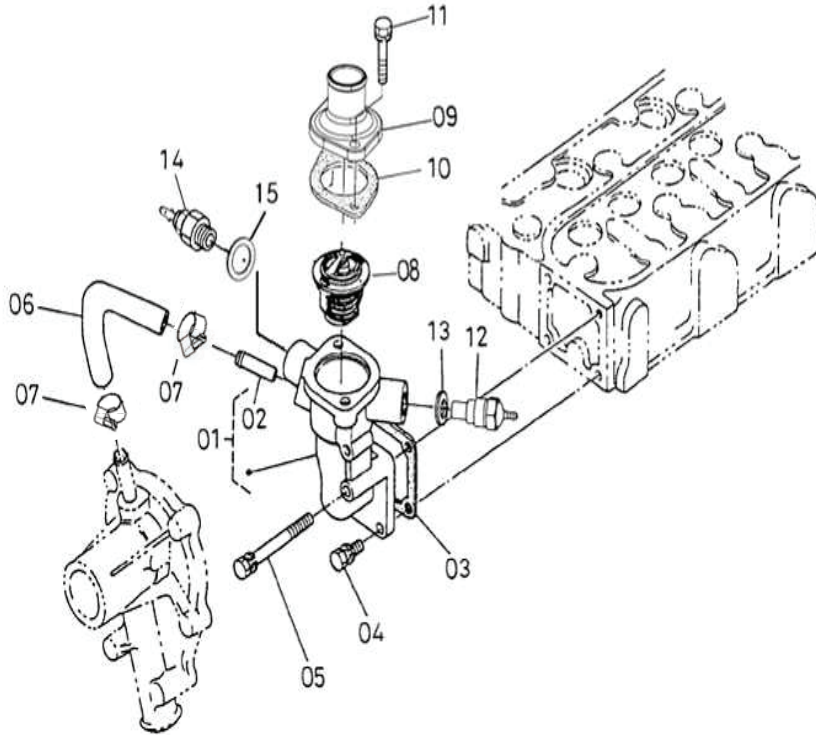
10	HT17060000A	PIPE(C) ,INJECTION	1	X	X
11	HT17070000A	CLAMP(A), PIPE	2	X	X
12	HT17080000A	CLAMP(B), PIPE	2	X	X
13	EA00001717A	SCREW	2	X	X
14	HT17160000A	PLUG, GLOW	3	X	X
15	HT17090000A	CORD, GLOW PLUG	1	X	X
16	HT17100000A	HOSE(A), OVER FLOW	1	X	X
17	23080-010000	CLIP, V BAND	6	X	X
18	HT17120000A	HOSE(B), OVER FLOW	1	X	X
19	HT17130000A	HOSE(C), OVER FLOW	1	X	X
20	HT17140000A	CONNECTOR, T	1	X	X

A18. (FEED PUMP)



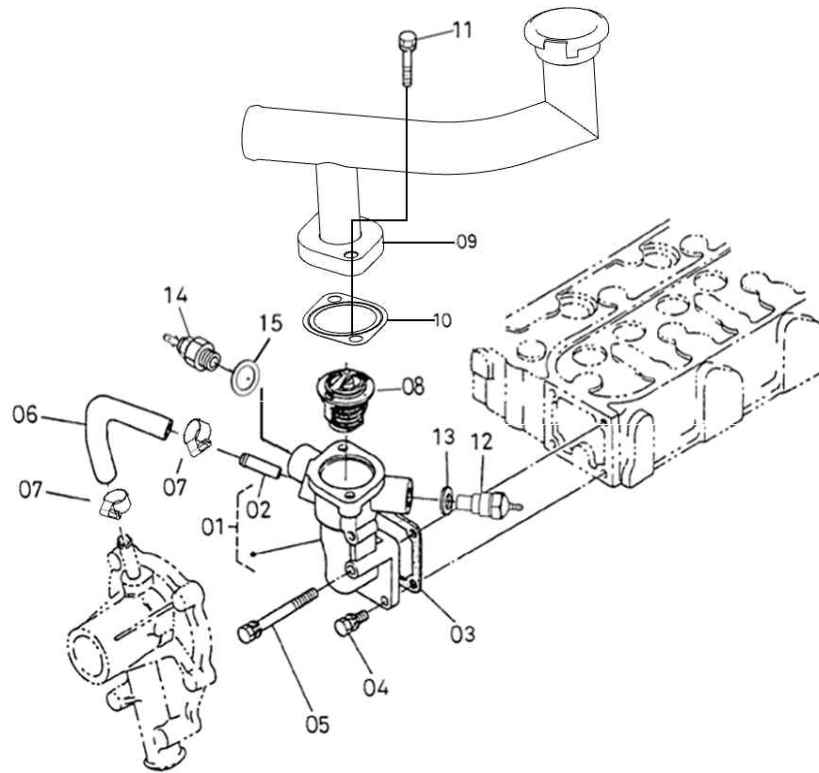
No.	Part No.	Part	Name	(Q'ty)	A1000	A110	Remarks
					N2	0	
01	HT18010000A	휘이드 펌프	PUMP, FEED	1	X	X	
02	HT18020000A	패킹 (휘이드 펌프)	PACKING	1	X	X	
03	26716-060002	육각 너트	NUT, REGULAR HEXAGON	2	X	X	M6
04	22117-060000	평와셔 (소형)	WASHER, PLAIN	2	X	X	
05	23080-013000	호스 클립	CLIP, V BAND	2	X	X	
06	EA00000783A	연료 호스	TUBE, FUEL	1	X	X	

A19. (WATER PUMP FLANGE&THERMOSTAT)



No.	Part No.	Part Name	(Q'ty)	A1000	A110	Remarks
				N2	0	
01	EA00001166B	ASS'Y FLANGE, WATER PUM	1	X	X	
02	HT19010200A	PIPE	1	X	X	
03	HT19020000A	GASKET, W/PUMP FLANGE	1	X	X	
04	26013-060162	BOLT	3	X	X	M6X16
05	26013-060602	BOLT	1	X	X	M6X60
06	HT19030000A	HOSE, WATER RETURN	1	X	X	
07	23000-016000	CLIP, V BAND	2	X	X	
08	HT19050000A	THERMOSTAT	1	X	X	
09	HC09160000B	COVER, THERMOSTAT	1	X	X	
	RA00008152A	COVER, THERMOSTAT	1			
10	HT19060000A	GASKET	1	X	X	M8X18
11	26106-080182	BOLT	2	X	X	
12	HH12190000A	SENSOR, WATER	1	X	X	
13	23414-160000	WASHER, SEALING	1	X	X	
14	HH12210000A	SENSOR, GLOW PLUG	1	X	X	
15	23414-100014	WASHER, SEALING	1	X	X	

A19. (WATER PUMP FLANGE&THERMOSTAT)

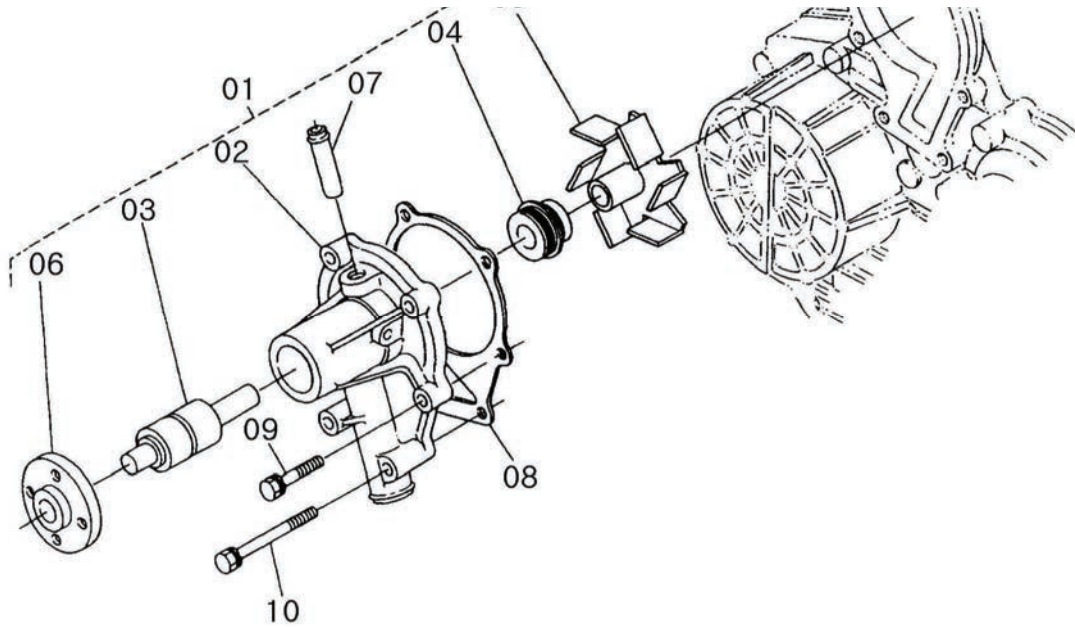


No.	Part No.	Part Name	(Q'ty)	A1000		Remarks
				N2	0	
01	EA00001166B	ASS'Y FLANGE, WATER PUI	1			
02	HT19010200A	PIPE	1			
03	HT19020000A	GASKET, W/PUMP FLANGE	1			
04	26013-060162	BOLT	3			M6X16
05	26013-060602	BOLT	1			M6X60
06	HT19030000A	HOSE, WATER RETURN	1			
07	23000-016000	CLIP, V BAND	2			
08	HT19050000A	THERMOSTAT	1			
09	HC09160000B	COVER, THERMOSTAT	1			
	RA00008152A	COVER, THERMOSTAT	1			
10	HT19060000A	GASKET	1			
11	26106-080182	BOLT	2			M8X18
12	HH12190000A	SENSOR, WATER	1			
13	23414-160000	WASHER, SEALING	1			
14	HH12210000A	SENSOR, GLOW PLUG	1			
15	23414-100014	WASHER, SEALING	1			

A20. (WATER PUMP)

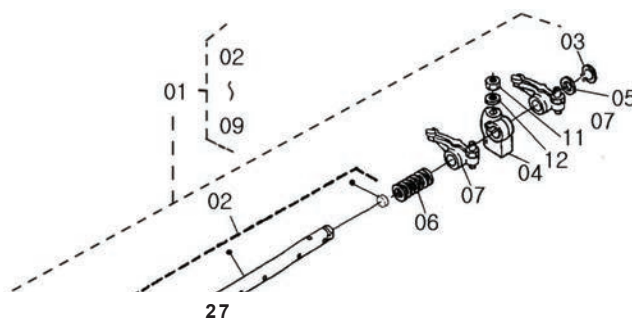
05

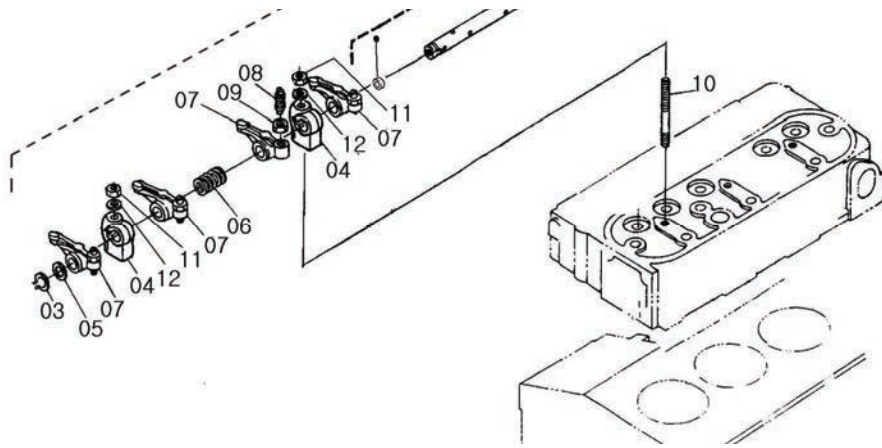




No.	Part No.	Part Name	(Q'ty)	A1000		Remarks
				N2	T1	
01	HT20010000A	ASSY PUMP, WATER	1	X	X	
02	HT20010100A	BODY, WATER PUMP	1	X	X	
03	HRA1200102A	BEARING, WATER PUMP	1	X	X	
04	HA10060000A	SEAL, MECHANLICAL	1	X	X	
05	HT20010200A	IMPELLER, WATER PUMP	1	X	X	
06	HT20010300A	FLANGE, WATER PUMP	1	X	X	
07	HT19010200A	PIPE	1	X	X	
08	HT20020000A	GASKET, WATER PUMP	1	X	X	
09	26013-060252	BOLT	4	X	X	M6X25
10	26013-060852	BOLT	2	X	X	M6X85

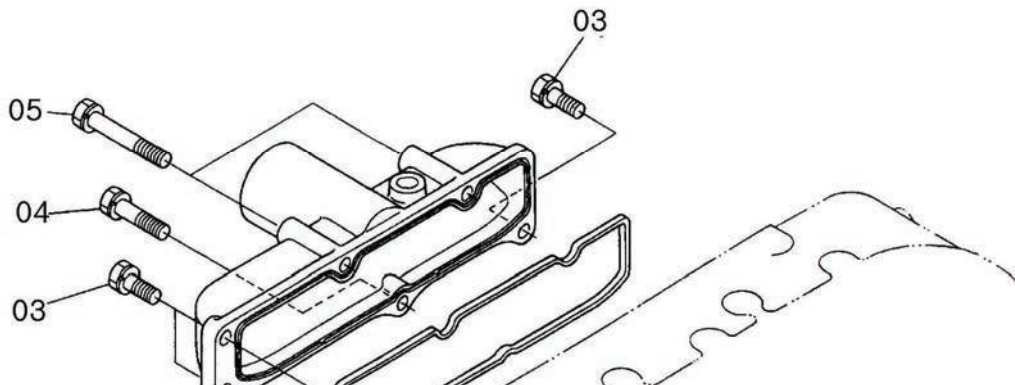
A21. (ROCKER ARM)

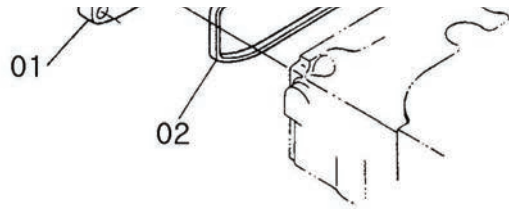




No.	Part No.	Part Name	(Q'ty)	A1000	A1100	Remarks
				N2	T1	
01	HT21010000A	ASS'Y ROCKER ARM	1	X	X	
02	HT21010100A	ASS'Y SHAFT, ROCKER ARM	1	X	X	
03	22242-000130	CIR. CLIP	2	X	X	
04	HT21010200A	SUPPORTER, ROCKER ARM	3	X	X	
05	HT21010300A	WASHER, ROCKER ARM SH	2	X	X	
06	HT21010400A	SPRING, ROCKER ARM	2	X	X	
07	HT21010500A	ROCKER ARM	6	X	X	
08	HT21010600A	SCREW, ADJUSTING	6	X	X	
09	HT21010700A	NUT	6	X	X	
10	HT21020000A	STUD, ROCKER ARM	3	X	X	
11	26717-080002	NUT, REGULAR HEXAGON	3	X	X	M8
12	22117-080000	WASHER, PLAIN	3	X	X	

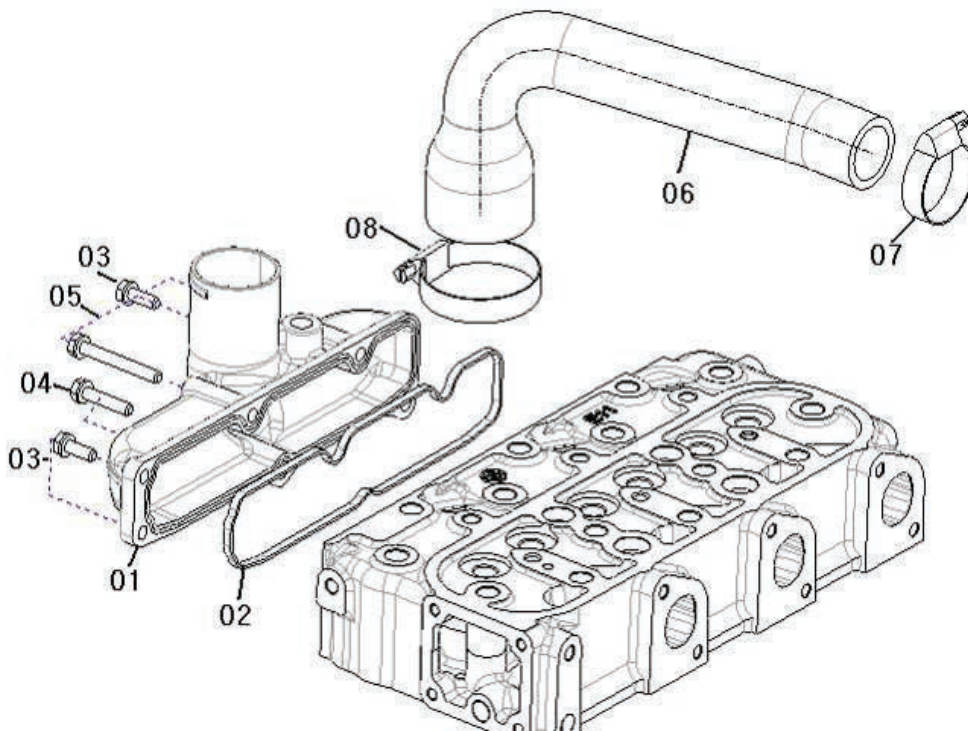
A22. (INTAKE MANIFOLD)





No.	Part No.	Part Name	(Q'ty)	A1000	A110	Remarks
				N2	0 T1	
01	HT22010000B	MANIFOLD, INTAKE	1	X		
02	HT22020000A	PACKING, INTAKE MANIFOL	1	X		
03	26013-060182	BOLT	3	X		M6X18
04	26013-060302	BOLT	1	X		M6X30
05	26013-060502	BOLT	2	X		M6X50

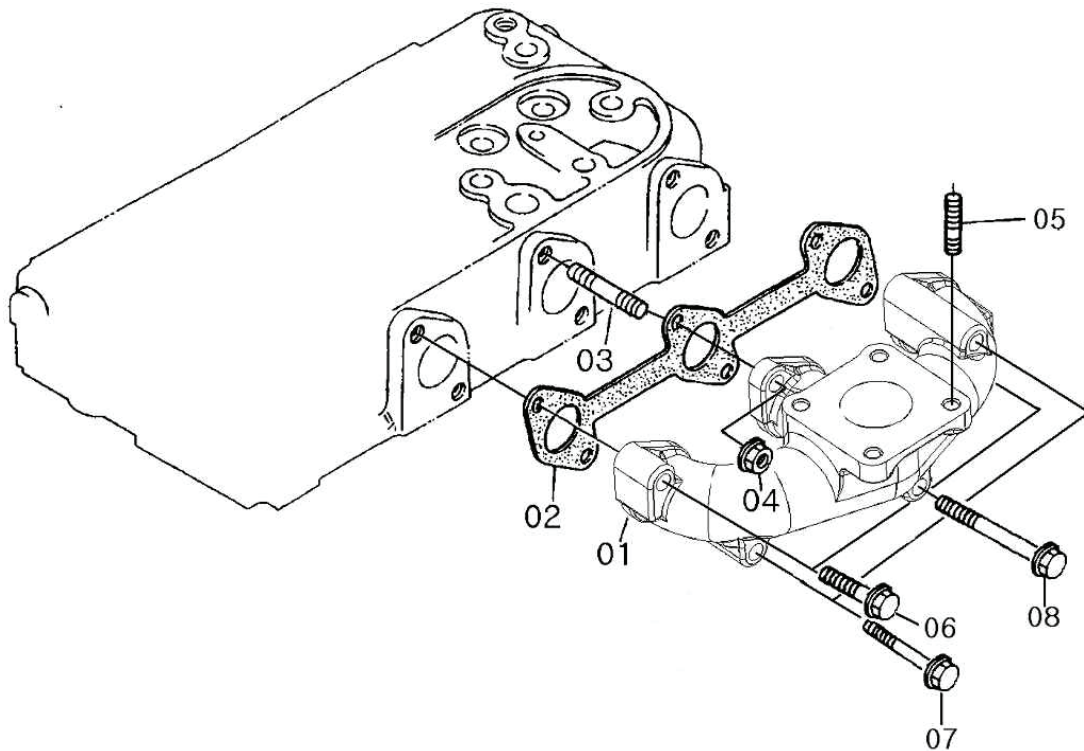
A22. (INTAKE MANIFOLD)





No.	Part No.	Part Name	(Q'ty)	A1000		Remarks
				N2	ATTU 0 T1	
01	EA00000834A	MANIFOLD, INTAKE	1		X	
02	HT22020000A	PACKING, INTAKE MANIFOL	1		X	
03	26013-060182	BOLT	3		X	M6X18
04	26013-060302	BOLT	1		X	M6X30
05	26013-060502	BOLT	2		X	M6X50
06	EA00000856A	HOSE, SUCTION	1		X	
07	23000-041000	CLAMP, HOSE	1		X	
08	23000-060000	CLAMP, HOSE	1		X	

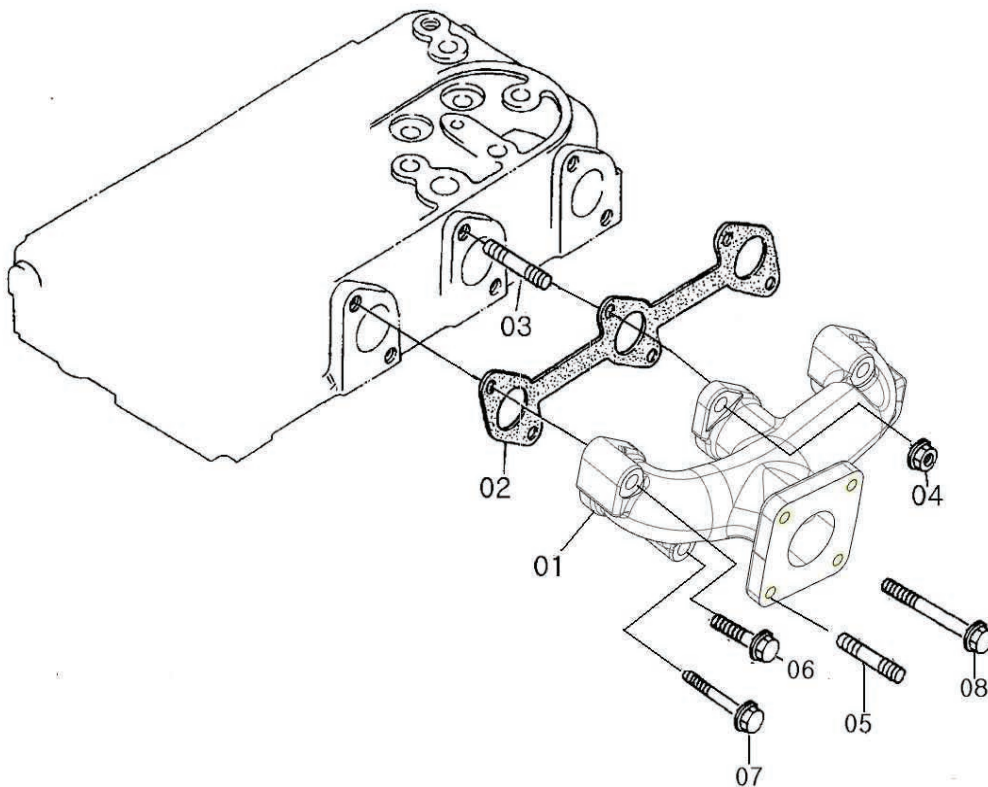
A23. (EXHAUST MANIFOLD)



No.	Part No.	Part Name	(Q'ty)	A1000		Remarks
				N2	ATTU 0 T1	
01	HT23010000A	MANIFOLD, EXHAUST	1	X		
02	HT23020000A	GASKET, EX-MANIFOLD	1	X		

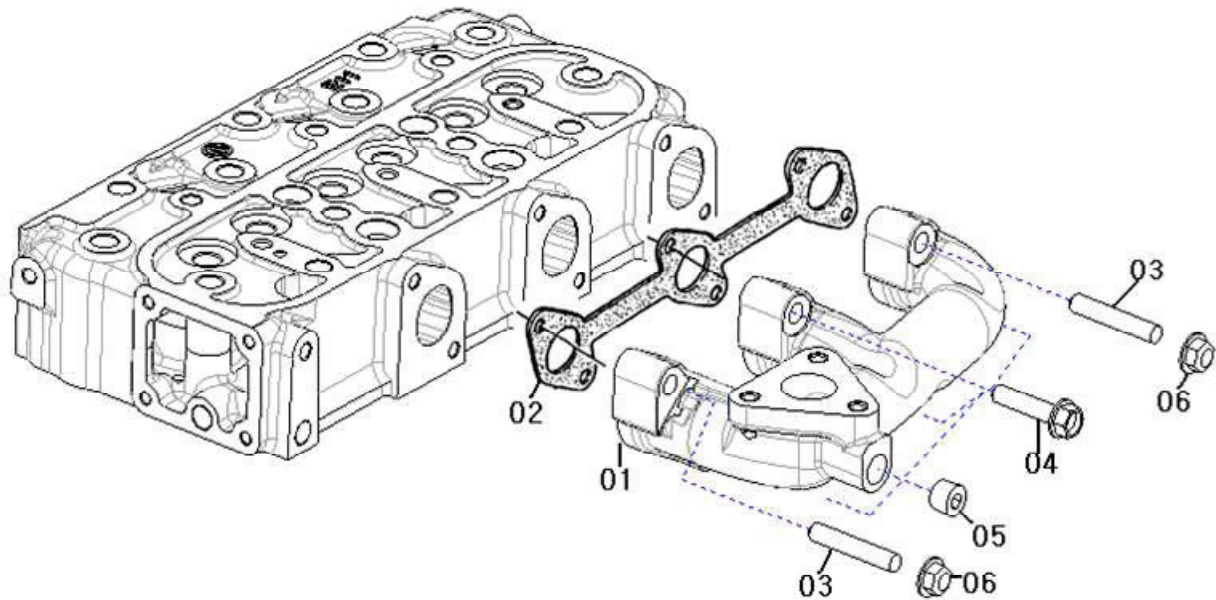
03	26216-080222	STUD	1	X	
04	26366-080002	NUT, HEXAGON FLANGE	1	X	M8
05	26216-080222	STUD	4	X	
06	26106-080352	BOLT	2	X	M8X35
07	26106-080652	BOLT	2	X	M8X65
08	26106-080852	BOLT	1	X	M8X85

A23. (EXHAUST MANIFOLD)



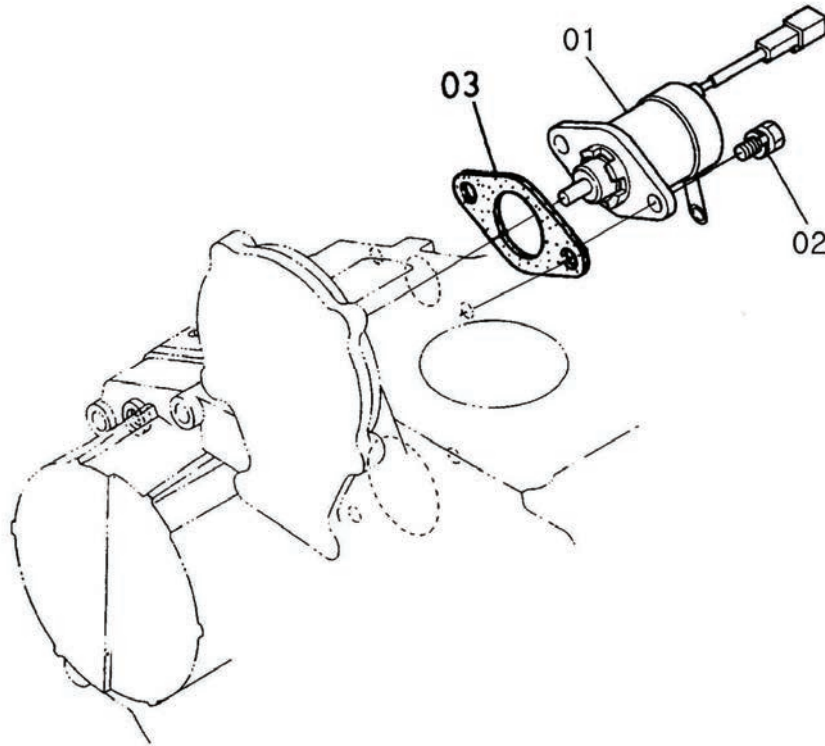
No.	Part No.	Part Name	(Q'ty)	A1000 N2	A110 0 T1	Remarks
01	EA00000618A	MANIFOLD, EXHAUST	1			
02	HT23020000A	GASKET, EX-MANIFOLD	1			
03	26216-080222	STUD	1			
04	26366-080002	NUT, HEXAGON FLANGE	1			M8
05	26216-080222	STUD	4			
06	26106-080352	BOLT	2			M8X35
07	26106-080652	BOLT	2			M8X65
08	26106-080852	BOLT	1			M8X85

A23. (EXHAUST MANIFOLD)



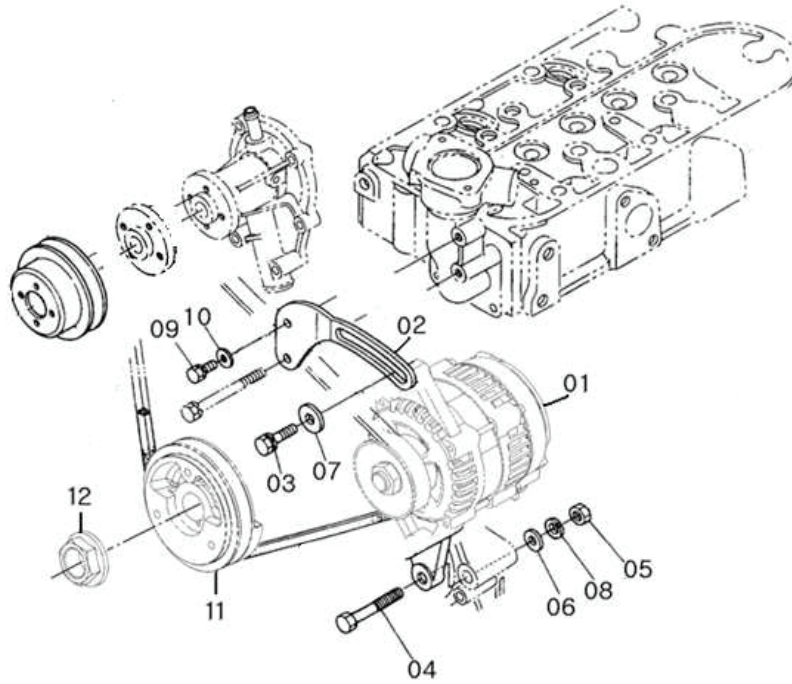
No.	Part No.	Part	Name	(Q'ty)	A1000 N2	ATTU 0 T1	Remarks
01	EA00000844A		MANIFOLD, EXHAUST	1		X	
02	HT23020000A		GASKET, EX-MANIFOLD	1		X	
03	26216-080352		STUD	2		X	
04	26106-080352		BOLT	4		X	M8X35
05	23871-020000		PLUG, TAPER	1		X	
06	26366-080002		(NUT, HEXAGON FLANGE)	2		X	M8

A24. (STOP SOLENOID)



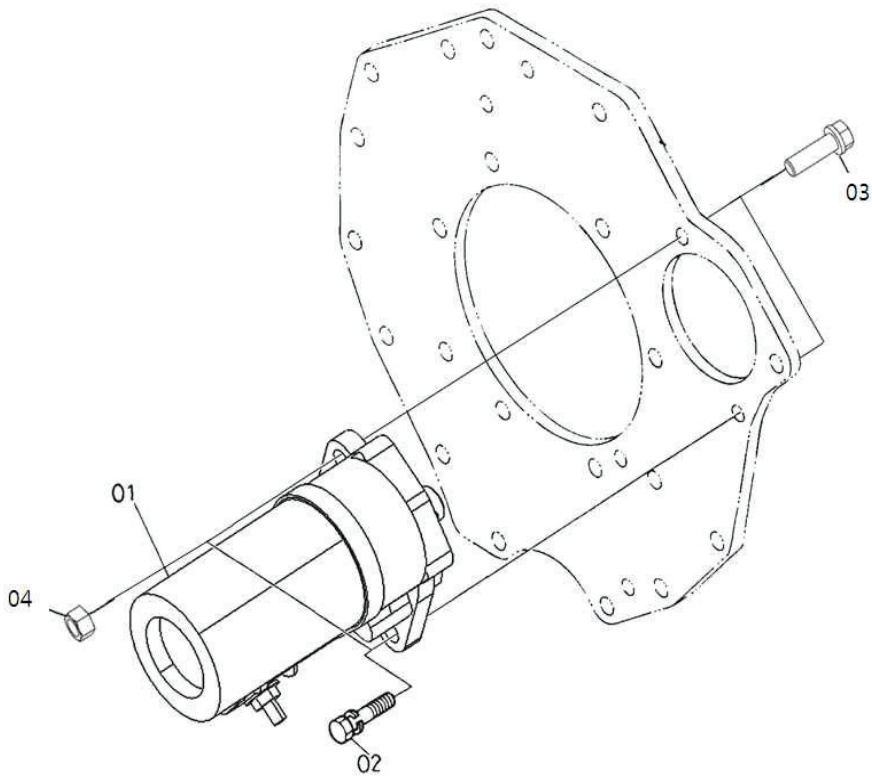
No.	Part No.	Part	Name	(Q'ty)	A1000	A110	Remarks
					N2	0	
01	HT24010000A		ASS'Y SOLENOID	1	X	X	
02	26013-060149		SCREW	2	X	X	M6X14
03	HT24020000A		GASKET, ASS'Y SOLENOID	1	X	X	

A25. (ALTERNATOR & PULLEY)



No.	Part No.	Part	Name	(Q'ty)	A1000	A110	Remarks
					N2	0 T1	
01	HN4101000DA		ASS'Y ALTERNATOR	1	X	X	
02	HT25010000A		BRACKET, ALTERNATOR	1	X	X	
03	26013-080302		WASHER	1	X	X	M8X30
04	EA00000613A		SCREW	1	X	X	
05	26716-100002		NUT, REGULAR HEXAGON	1	X	X	M10
06	22127-100000		WASHER, PLAIN	1	X	X	
07	RR15170000A		BOLT	1	X	X	
08	22217-100000		WASHER, SPRING	1	X	X	
09	26013-060182		BOLT	1	X	X	M6X18
10	22127-060000		WASHER, PLAIN	1	X	X	
11	HT25030000B		PULLEY, FAN DRIVE	1	X	X	
12	HT25040000A		NUT, V-PULLY	1	X	X	

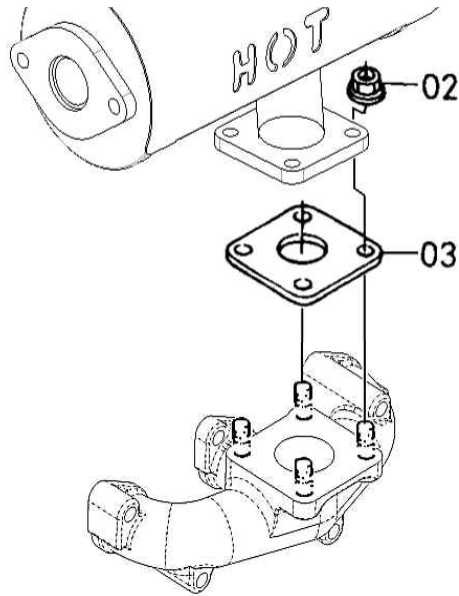
A26. (STARTING MOTOR)



No.	Part No.	Part Name	(Q'ty)	A1000	A110	Remarks
				N2	0	
01	EA00003037A	MOTOR, STARTING	1	X	X	
02	26013-120282	BOLT	2	X	X	M12X28
03	26013-120402	BOLT	2			M12X40
04	26716-120002	NUT	2			

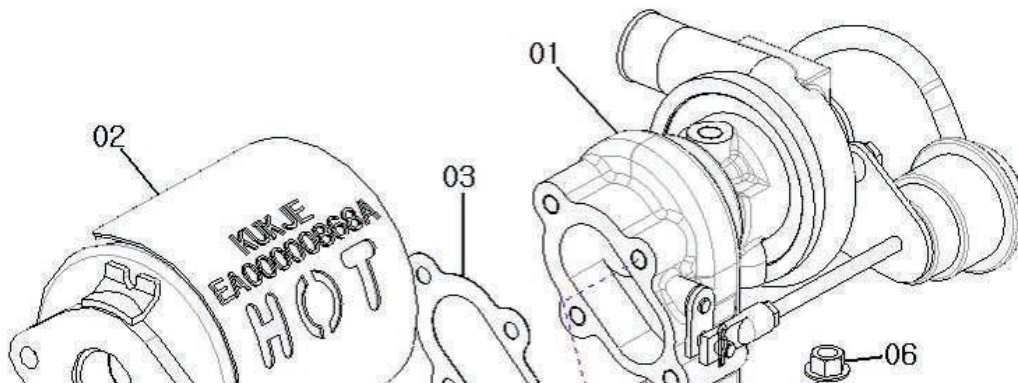
A27. (EXHAUST SILENCER)

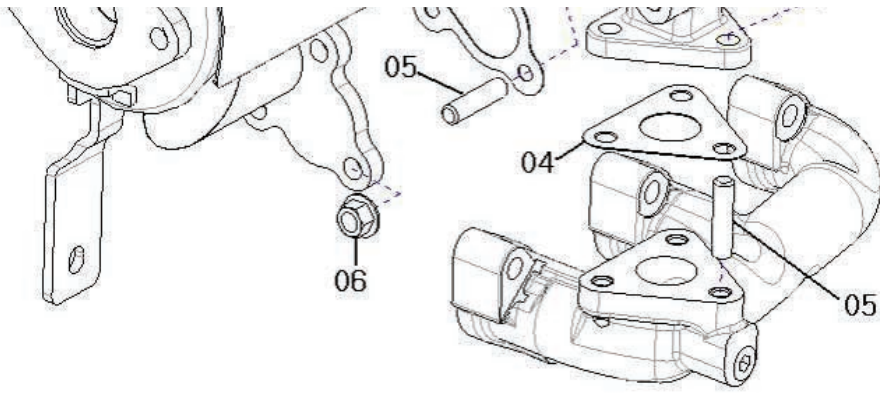




No.	Part No.	Part	Name	(Q'ty)	A1000	A110	Remarks
					N2	0	
01	EA00000405B		SILENCER, EXHAUST	1	X		
02	26366-080002		NUT, HEXAGON FLANGE	4	X		M8
03	HT27020000A		GASKET, EXHAUST SILENCER	1	X		

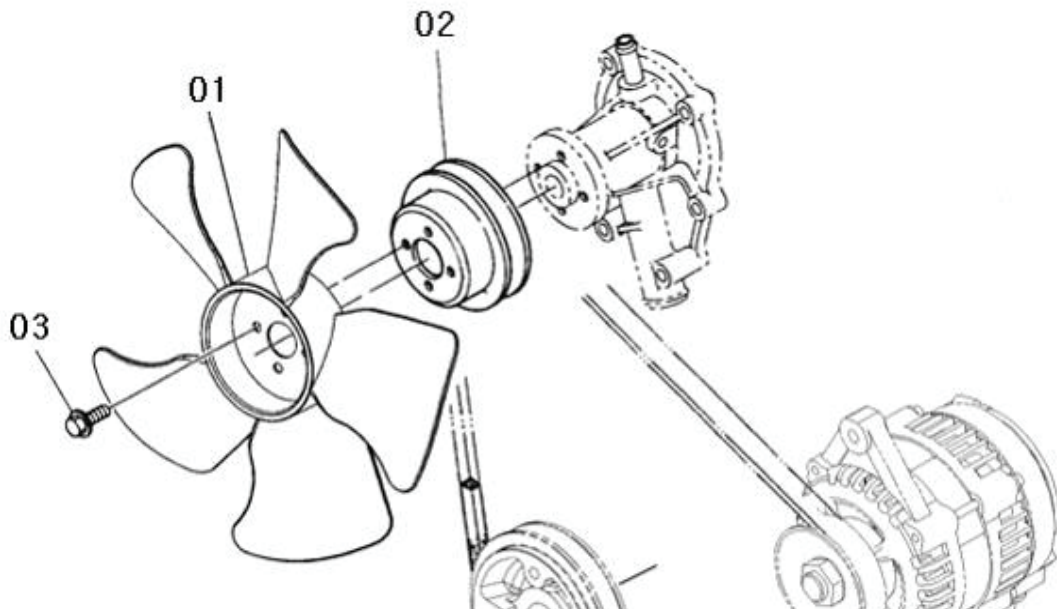
A28. (TURBO CHARGER & EXHAUST SILENCER)

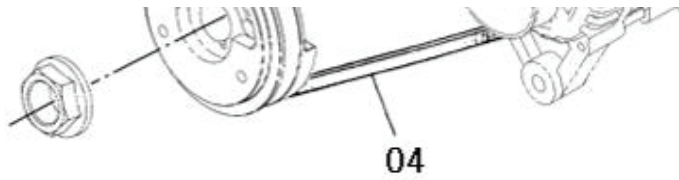




No.	Part No.	Part Name	(Q'ty)	A1000	A110	Remarks
				N2	0	
01	EA00000847A	TURBO, CHARGER	1		X	
02	EA00000868A	SILENCER, EXHAUST	1		X	
03	EA00000874A	GASKET	1		X	
04	EA00000873A	GASKET	1		X	
05	26213-080222	STUD	7		X	
06	26367-080002	NUT, HEXAGON FLANGE	7		X	M8

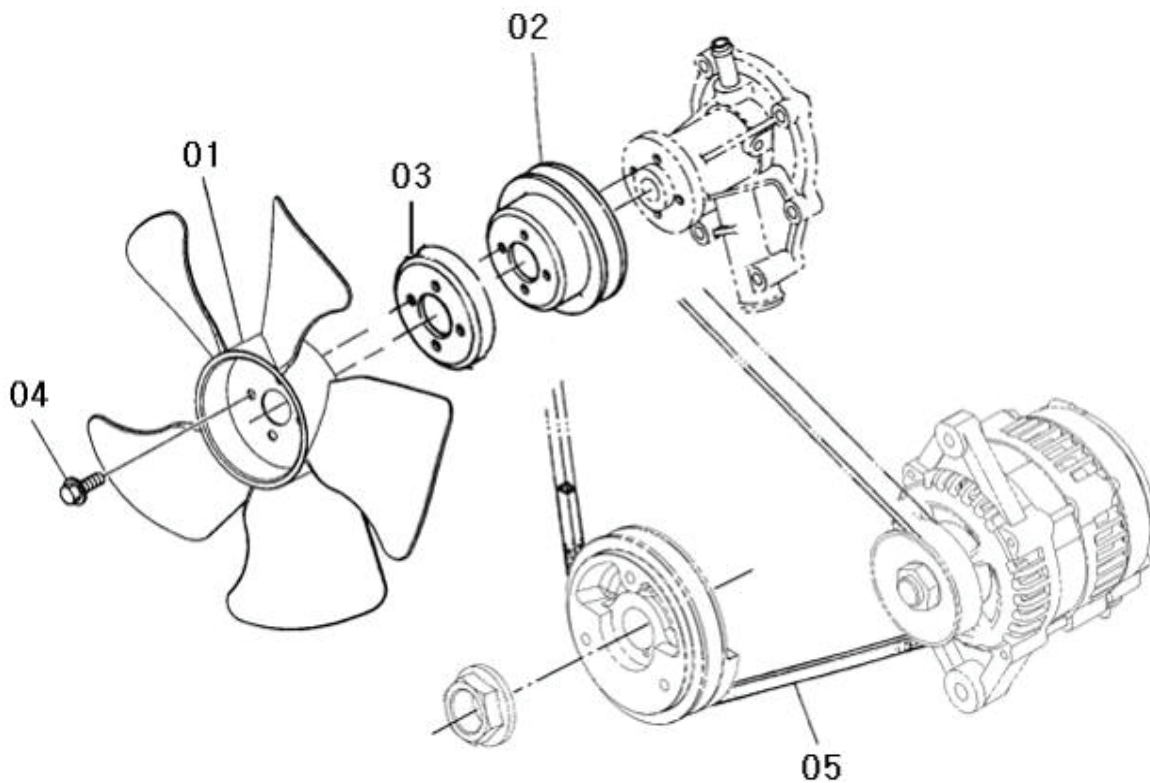
A29. (COOLING PAN)





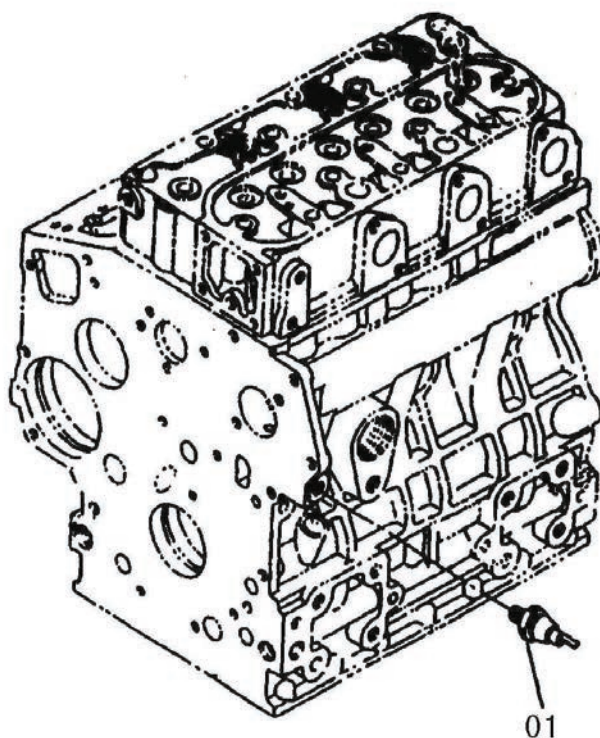
No.	Part No.	Part Name	(Q'ty)	A1000	A110	Remarks
				N2	0	
01	EA00000432B	FAN, COOLING	1	X		
02	HT28020000A	PULLEY, FAN	1	X		
	EA00000727A	PULLEY, FAN				
03	26106-060122	BOLT	4	X		M6X12
04	EA00002552A	BELT,V	1	X		
	EA00002551A	BELT,V	1			

A29. (COOLING PAN)



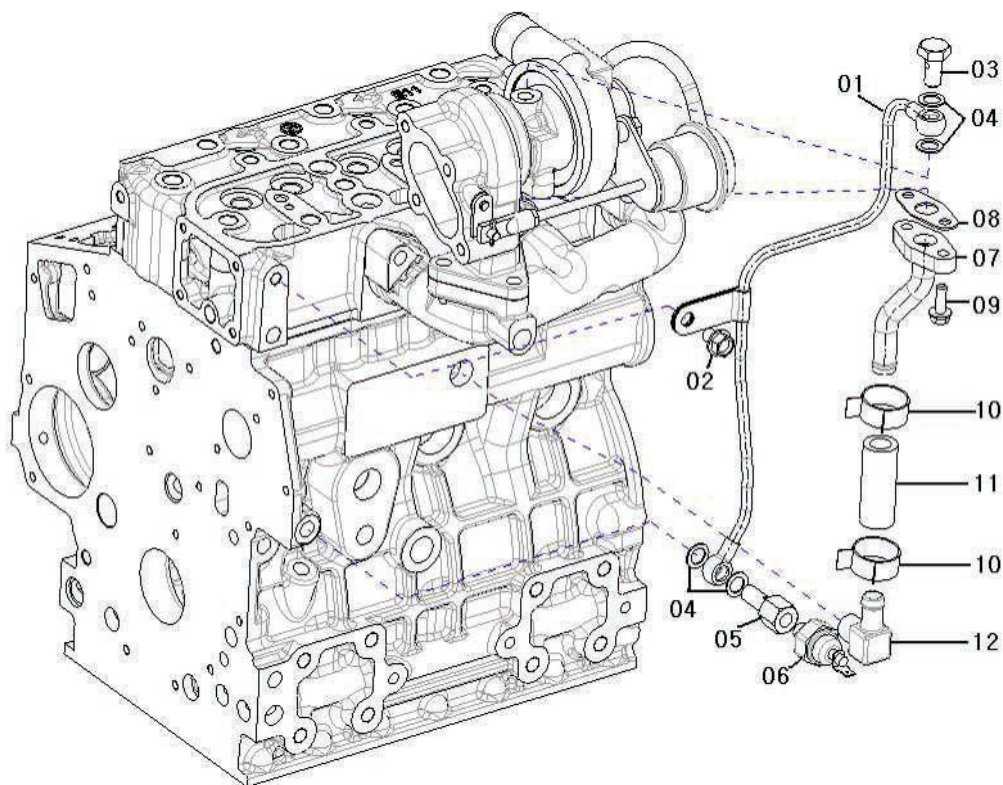
No.	Part No.	Part	Name	(Q'ty)	A1000	ATTU	Remarks
					N2	0 T1	
01	EA00002191A		FAN, COOLING	1		X	
02	EA00000727A		PULLEY, FAN	1		X	
03	EA00001073A		SPACER	1		X	
04	26013-060352		BOLT	4		X	M6X20
05	EA00002551A		BELT,V	1		X	

A30. (OIL PRESSURE SWITCH)

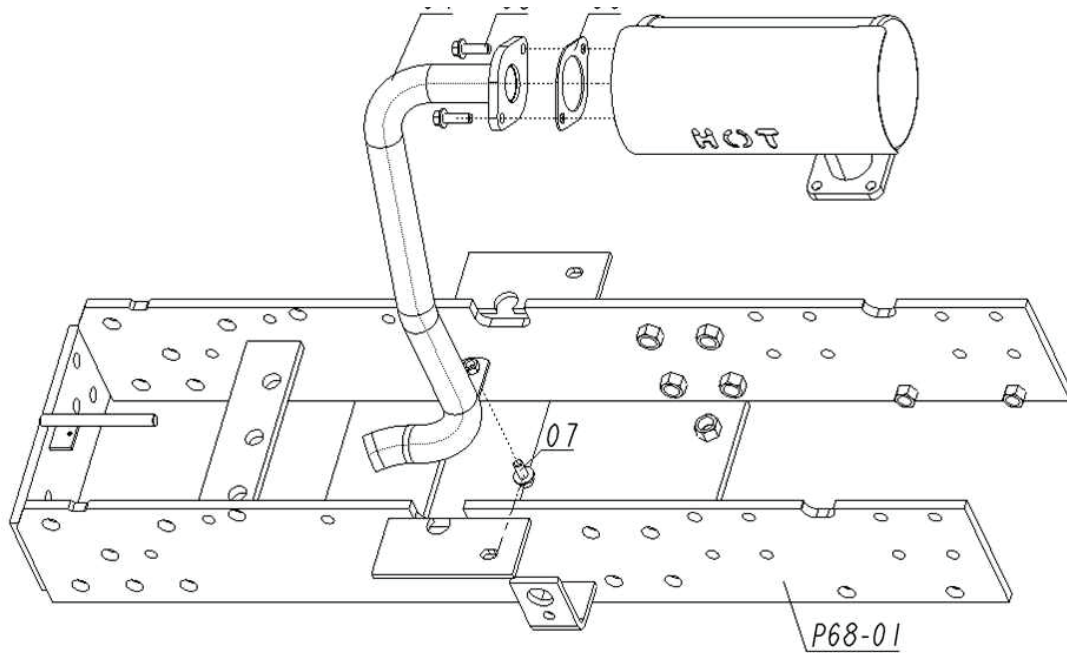


No.	Part No.	Part	Name	(Q'ty)	A1000	ATTU	Remarks
					N2	0 T1	
01	HA09250000A		SWITCH, OIL PRESSURE	1		X	

A31. (OIL PIPE)

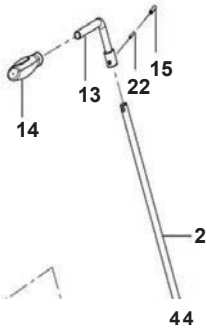


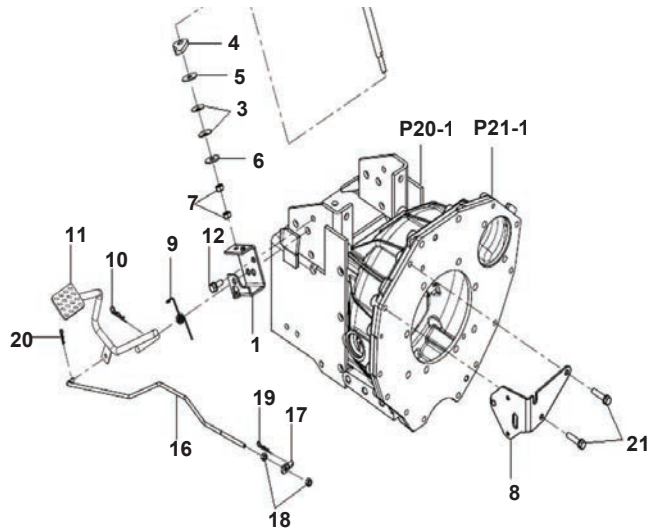
No.	Part No.	Part Name	(Q'ty)	A1000	A110	Remarks
				N2	T1	
01	EA00000851A	TUBE, T/C OIL SUPPLY	1		X	
02	26106-080122	BOLT	1		X	M8X12
03	HA09220000A	SCREW, PIPE	1		X	
04	23414-100000	WASHER, SEALING	4		X	
05	EA00000857A	SCREW, PIPE	1		X	
06	HA09250000A	SWITCH, OIL PRESSURE	1		X	
07	EA00001104A	TUBE, T/C OIL DRAIN	1		X	
08	HP09350000A	GASKET, OIL DRAIN	1		X	
09	26106-060182	BOLT	2		X	M6X18
10	23000-025000	CLAMP, HOSE	2		X	
11	HRU0430900C	HOSE, JOINT	1		X	
12	HRF1105000A	ELBOW, PLAIN UNION	1		X	



No.	Part No.	Part Name	(Q'ty)	SB22M	SB25	SB31	SB31H	Remarks
				H	M			
4	FE03040000B	PIPE, EXHAUST	1	X	X			
4	TA00016656B	PIPE, EXHAUST	1			X	X	
5	26106-080252	BOLT	2	X	X	X	X	M8X25
6	HK0514000EA4	PIPE, GASKET	1	X	X	X	X	
7	26014-080202	BOLT	1	X	X	X	X	M8X20

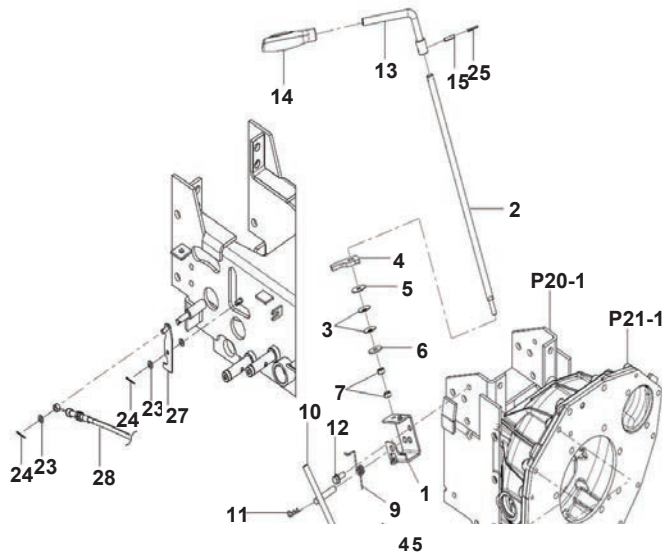
03-1. (ACCELERATOR LEVER)

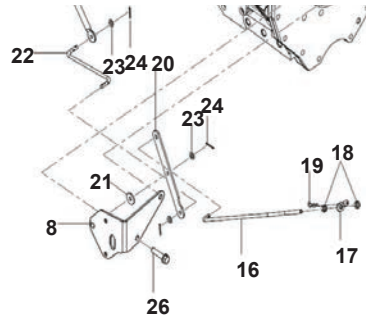




No.	Part No.	Part Name	(Q'ty)	SB22M	SB25 H	SB31 M	SB31H	Remarks
1	FE04010000A	BRACKET ACCEL	1	X		X		
2	FE04020000A	ROD, ACCEL	1	X		X		
3	FE04030000A	SPRING, PLATE	2	X		X		
4	FE04040000A	ARM, ACCELERATOR	1	X		X		
5	FE04050000A	WASHER, ACCEL	1	X		X		
6	22157-080000	WASHER, PLAIN	1	X		X		
7	26716-080002	NUT	2	X		X		M8
8	TA00049127B	BRACKET, LINK	1	X		X		
9	FE04090000A	SPRING	1	X		X		
10	22360-100000	PIN, SNAP	1	X		X		
11	FE04100000C	PEDAL, ACCEL	1	X		X		
12	26013-080202	BOLT	1	X		X		
13	FE04140000B	LEVER, ACCEL	1	X		X		
14	TA00015801A	GRIP	1	X		X		
15	22351-050020	PIN, SPRING	1	X		X		
16	TA00049207A	ASS'Y ROD, RELEASE	1	X		X		
17	FE04180000A	CONNECTOR	1	X		X		
18	26712-060002	NUT	2	X		X		M6
19	22360-080000	PIN, SNAP	1	X		X		
20	22360-060000	PIN, SNAP	1	X		X		
21	26013-080352	BOLT	2	X		X		
22	22351-030020	PIN, SPRING	1	X		X		

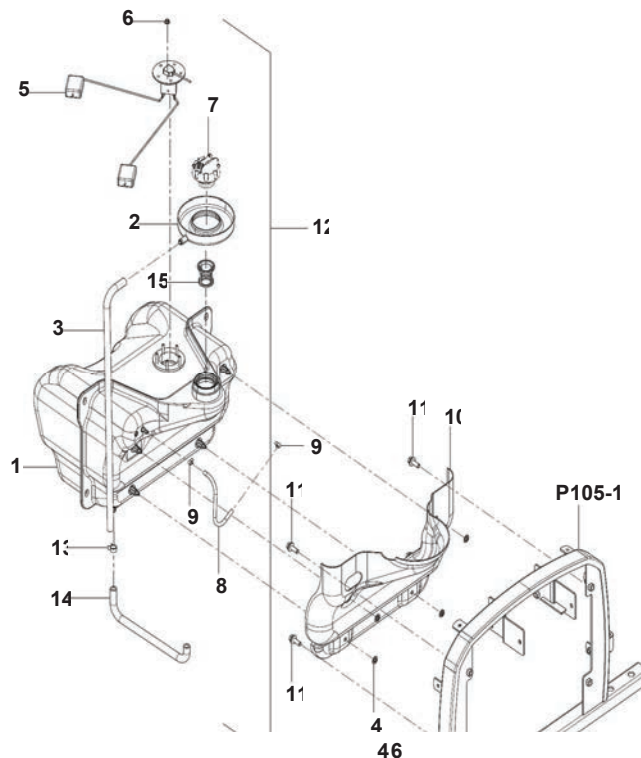
03-2. (ACCELERATOR LEVER) - HST

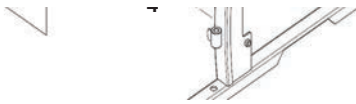




No.	Part No.	Part Name	(Q'ty)	SB22M	SB25 H	SB31 M	SB31H	Remarks
1	FE04010000A	BRACKET ACCEL	1		X		X	
2	FE04020000A	ROD, ACCEL	1		X		X	
3	FE04030000A	SPRING, PLATE	2		X		X	
4	TA00044967A	ARM, ACCELERATOR	1		X		X	
5	FE04050000A	WASHER, ACCEL	1		X		X	
6	22157-080000	WASHER, PLAIN	1		X		X	
7	26716-080002	NUT	2		X		X	
8	TA00049127A	BRACKET, LINK	1		X		X	
9	TA00049164A	SPRING	1		X		X	
10	TA00049134A	LINK, ACCEL	1		X		X	
11	22360-100000	PIN, SNAP	1		X		X	
12	26013-080202	BOLT	1		X		X	M8X20
13	FE04140000B	LEVER, ACCEL	1		X		X	
14	TA00044439A	GRIP	1		X		X	
15	22351-050020	PIN, SPRING	1		X		X	
16	TA00049130A	ROD A	1		X		X	
17	FE04180000A	CONNECTOR	1		X		X	
18	26712-060002	NUT	2		X		X	M6
19	22360-080000	PIN, SNAP	1		X		X	
20	TA00051995A	LINK A	1		X		X	
21	22157-060000	WASHER, PLAIN	1		X		X	
22	TA00049131A	ROD B	1		X		X	
23	22117-060000	WASHER, PLAIN	6		X		X	
24	22417-160160	COTTER PIN	5		X		X	
25	22351-030020	PIN, SPRING	1		X		X	
26	26013-080352	BOLT	2		X		X	
27	TA00049203A	LINK	1		X		X	
28	TA00050774C	WIRE	1		X			
28	TA00053580C	WIRE	1				X	

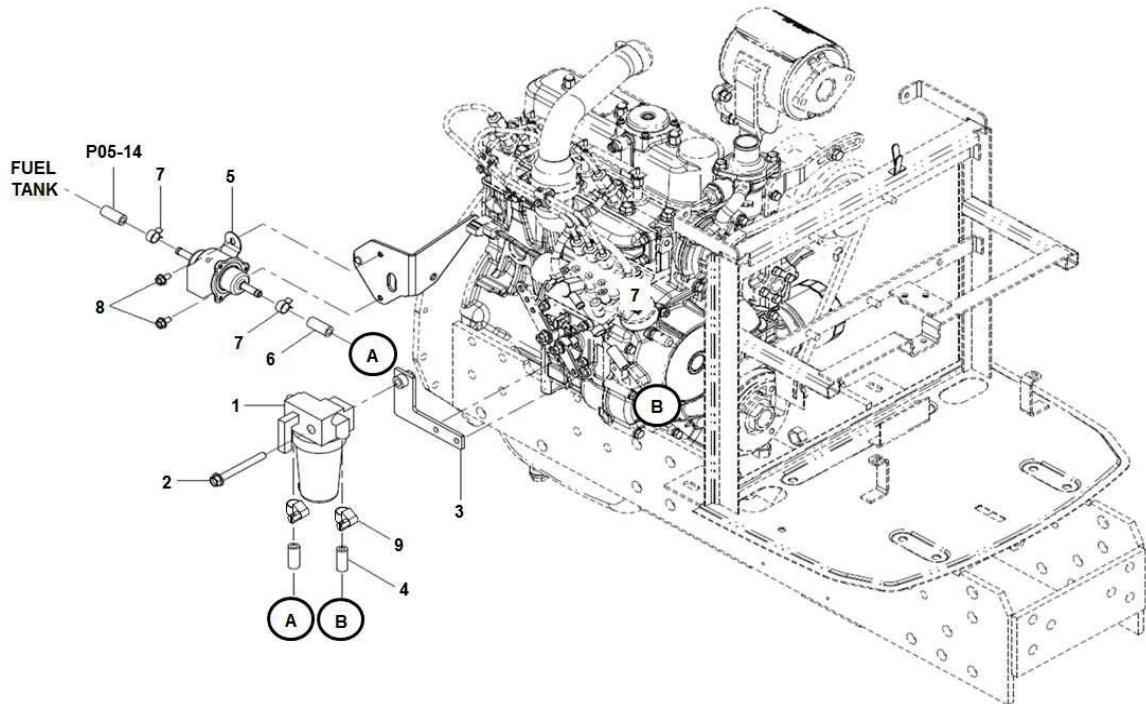
05. (FUEL TANK)





No.	Part No.	Part Name	(Q'ty)	SB22M	SB25 H	SB31 M	SB31H	Remarks
1	FE06010000B	ASS'Y TANK, FUEL	1	X	X	X	X	
2	FE06020000A	TRAY, FUEL	1	X	X	X	X	
3	FE06003000A	HOSE	1	X	X	X	X	
4	FE06040000A	NUT	4	X	X	X	X	
5	HA00000016A	GUAUGE, FUEL	1	X	X	X	X	
6	26367-050002	NUT	5	X	X	X	X	M5
7	TA00037880A	ASS'Y CAP, FUEL	1	X	X	X	X	
8	FE07250000B	TUBE, FUEL	1	X	X	X	X	
9	23080-007000	CLIP, PIPE	2	X	X	X	X	
10	FEB3080000A	COVER, HEAT TROOF	1	X	X	X	X	
11	26014-080252	BOLT	4	X	X	X	X	M8X25
12	TA00049180B	ASS'Y, FUEL TANK	1	X	X	X	X	
13	23080-013000	CLIP, PIPE	1	X	X	X	X	
14	TA00049181B	HOSE	1	X	X	X	X	
15	TA00017996A	FUEL FILTER	1	X	X	X	X	

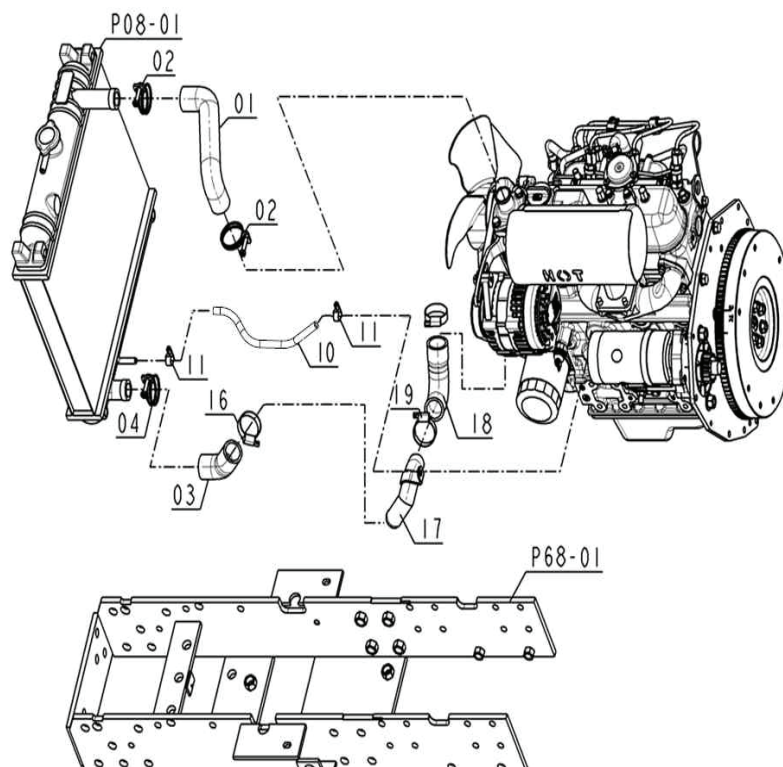
06. (FUEL LINE)



No.	Part No.	Part Name	(Q'ty)	SB22M	SB25 H	SB31 M	SB31H	Remarks
1	HK13010000C2	ASS'Y FILTER, FUEL	1	X	X	X	X	
2	26106-080752	BOLT	1	X	X	X	X	M8X75

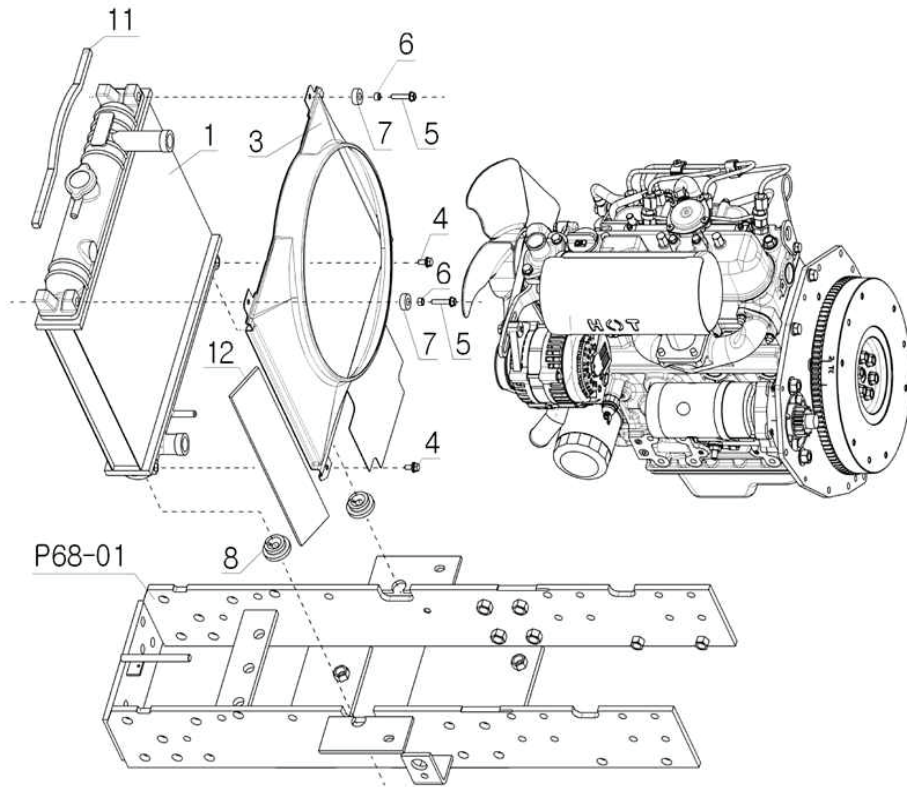
3	FE07030000B	STAY, FUEL FILTER	1	X	X	X	X	
4	23980-730330	HOSE	1	X	X	X	X	
5	HA00001612A	FEED PUMP ASS'Y	1	X	X	X	X	
6	FE08120000B	HOSE, DRAIN	1	X	X	X	X	
7	23080-013000	CLIP, PIPE	3	X	X	X	X	
8	26106-060122	HEX FLANGE BOLT	2	X	X	X	X	M6X12
9	23000-013000	CLIP, PIPE	2	X	X	X	X	

07. (WATER PIPE)



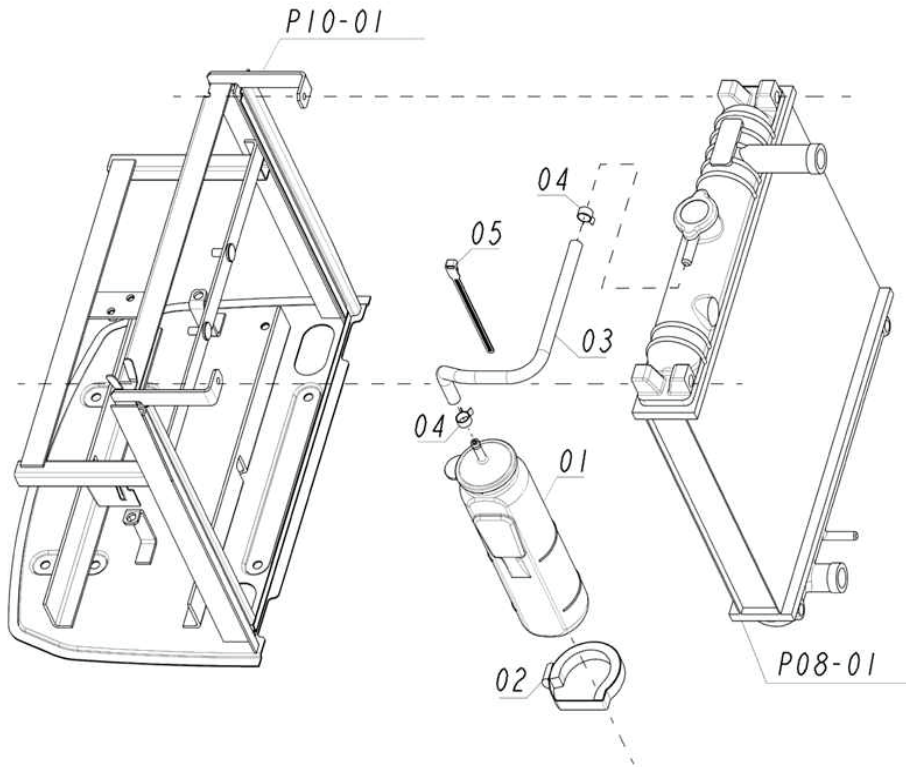
No.	Part No.	Part Name	(Q'ty)	SB22M	SB25 H	SB31 M	SB31H	Remarks
1	FE08010000D	HOSE, WATER	1	X	X	X	X	
2	23010-038000	CLAMP, HOSE	2	X	X	X	X	
3	FE08030000C	HOSE, WATER	1	X	X	X	X	
4	23010-040000	CLAMP, HOSE	1	X	X	X	X	
10	23980-730330	HOSE	1	X	X	X	X	
11	23000-013000	CLAMP, HOSE	2	X	X	X	X	
16	23000-041000	HOSE CLIPS	1	X	X	X	X	
17	EA00000450C	PIPE	1	X	X	X	X	
18	EA00000451B	HOSE	1	X	X	X	X	

08. (RADIATOR)



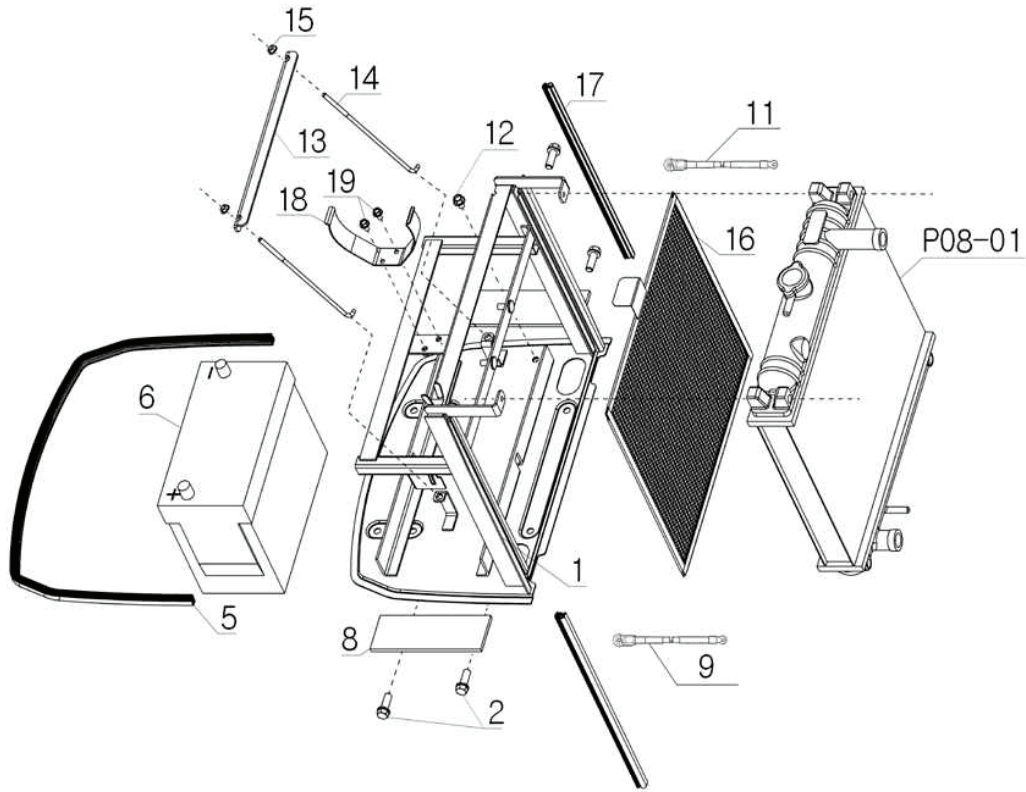
No.	Part No.	Part	Name	(Q'ty)	SB22M	SB25 H	SB31 M	SB31H	Remarks
1	EA00000401B		ASS'Y RADIATOR	1	X	X	X	X	
3	FE09030000B		KIT SHRODU, FAN	1	X	X	X	X	
4	26014-060162		BOLT	2	X	X	X	X	M6X16
5	26106-060302		BOLT	2	X	X	X	X	M6X30
6	FE11220000A		COLLAR	2	X	X	X	X	
7	FE11230000A		RUBBER	2	X	X	X	X	
8	HRA1203300A4		CUSHION, RADIATOR	2	X	X	X	X	
11	FE09110000A		TAPE, RADIATOR	5	X	X	X	X	
12	FE09120000A		TAPE, RADIATOR	1	X	X	X	X	

09. (RESERVE TANK)



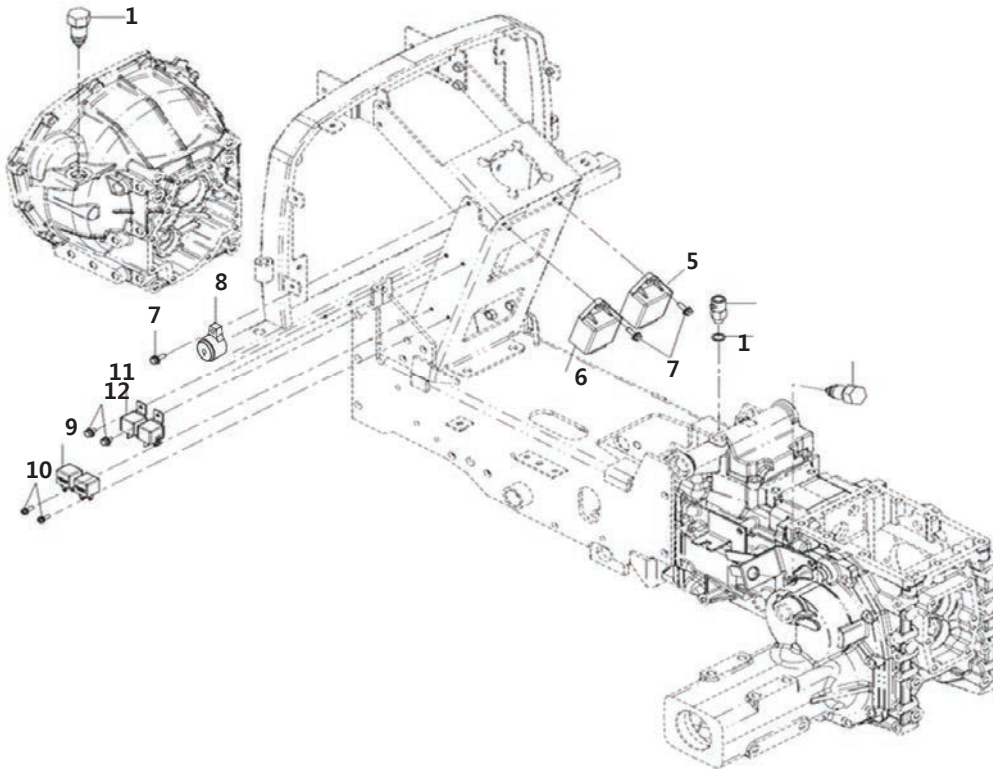
No.	Part No.	Part Name	(Q'ty)	SB22M	SB25	SB31	SB31H	Remarks
					H	M		
1	CA09270000C2	ASS'Y TANK, RESERVE	1	X	X	X	X	
2	CA09310000A4	CLIP, TANK	1	X	X	X	X	
3	FE10020000A	TUBE	1	X	X	X	X	
4	23080-013000	CLIP	2	X	X	X	X	
5	TB39260000A4	BAND, CORD	1	X	X	X	X	

10. (BATTERY)



No.	Part No.	Part	Name	(Q'ty)	SB22M	SB25 H	SB31 M	SB31H	Remarks
1	FE11010000H		BRACKER, BATTERY	1	X		X		
1	FE11020000F		BRACKER, BATTERY	1		X		X	
2	26013-100302		BOLT	4	X	X	X		M10X30
5	FE11050000A		ISOLATOR	1	X	X	X		
6	HA00000925A		ASS'Y BATTERY	1	X	X	X		60AH
8	TTC4010000A4		CUSHION	2	X	X	X		
9	HA00000075C		CORD, BATTERY(+)	1	X	X	X		
11	HA00000076C		CORD, BATTERY(-)	1	X	X	X		
12	26106-080122		BOLT	1	X	X	X		M8X12
13	FE11130000C		BRACKET	1	X	X	X		
14	TA00044497A		BOLT, HOOK	2	X	X	X		
15	26366-060002		NUT	2	X	X	X		M6
16	FE11180000B		NET, RADIATOR	1	X	X	X		
17	FE11190000A		ISOLATOR	2	X	X	X		
18	FE11200000A		BRACKET	1	X	X	X		
19	26106-060122		BOLT	2	X	X	X		M6X12
20	RA00000709B		BAND	1	X	X	X		

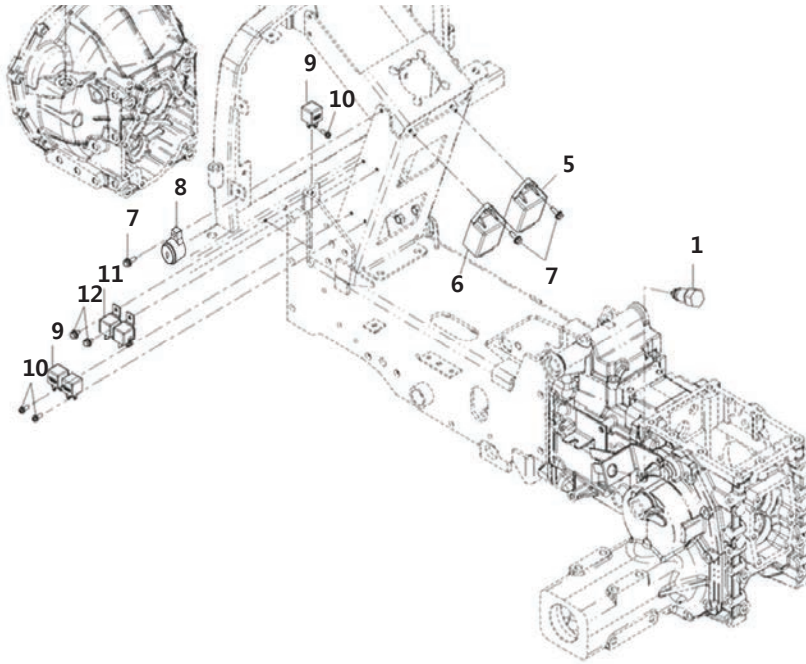
11-1. (SWITCH)



No.	Part No.	Part Name	(Q'ty)	SB22M	SB25 H	SB31 M	SB31H	Remarks
1	TZC5140000A3	SWITCH, SAFETY	2	X		X		
2	HA00000012A	SWITCH, SAFETY	1	X		X		
3	23414-140000	GASKET	1	X		X		
5	HA00000821A	UNIT, FLASHER	1	X		X		
6	HA00001334A	UNIT, CONTROL	1	X		X		
7	26014-060202	BOLT	1	X		X		
8	RN66310000A3	BUZZER	1	X		X		
9	FTC5130000A3	RELAY	3	X		X		
10	26023-050162	BOLT	1	X		X		
11	FTB9160000A3	RELAY	2	X		X		
12	26022-060122		2	X		X		

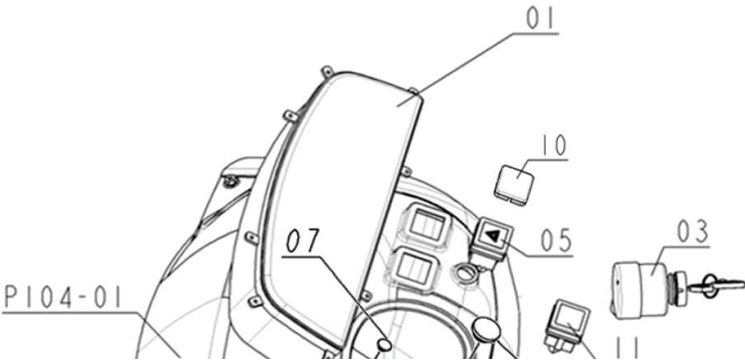
11-2. (SWITCH)-HST

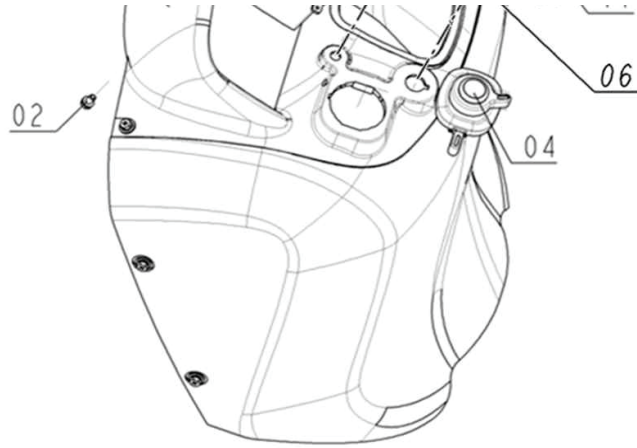




No.	Part No.	Part	Name	(Q'ty)	SB22M	SB25 H	SB31 M	SB31H	Remarks
1	TZC5140000A3		SWITCH, SAFETY	2		X		X	
5	HA00000821A		UNIT, FLASHER	1		X		X	
6	HA00001334A		UNIT, CONTROL	1		X		X	
7	26014-060202		BOLT	3		X		X	
8	RN66310000A3		BUZZER	1		X		X	
9	FTC5130000A3		RELAY	3		X		X	
10	26023-050162		BOLT	3		X		X	
11	FTB9160000A3		RELAY	2		X		X	
12	26022-060122		BOLT	2		X		X	
13	HA00000013A		CONTROLLER(OPC)	1		X		X	

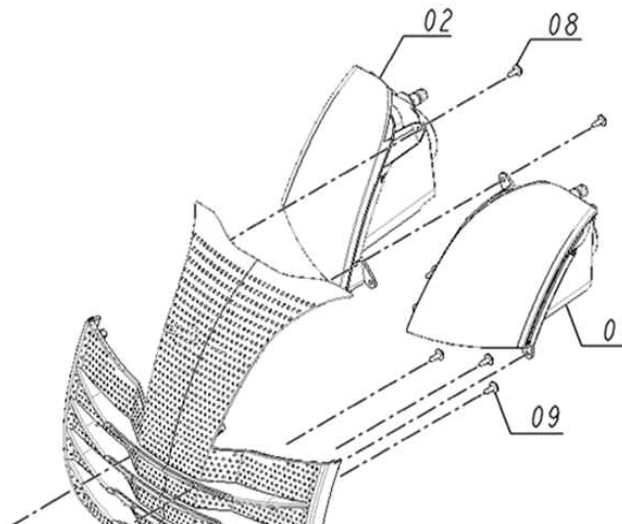
12. (PANEL BOARD)

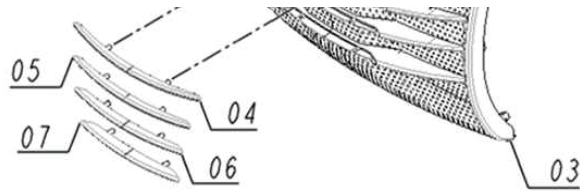




No.	Part No.	Part	Name	(Q'ty)	SB22M	SB25 H	SB31 M	SB31H	Remarks
1	HA00001412A		ASS'Y METER	1	X	X	X	X	
2	22857-400080		SCREW, TAPPING	8	X	X	X	X	
3	TTC5030000C3		SWITCH, STARTER	1	X	X	X	X	
4	HA00000067A		SWITCH, COMBINAITON	1	X	X	X	X	
5	FBK3510000A3		SWITCH, HAZARD	1	X	X	X	X	
6	TTC5190000A		RUBBER	1	X	X	X	X	
7	TTD6650000A		RUBBER	1	X	X	X	X	
10	FEB1030000A		SWITCH RUBBER	1	X		X		
11	HA00000173A		SWITCH CRUSE	1		X		X	

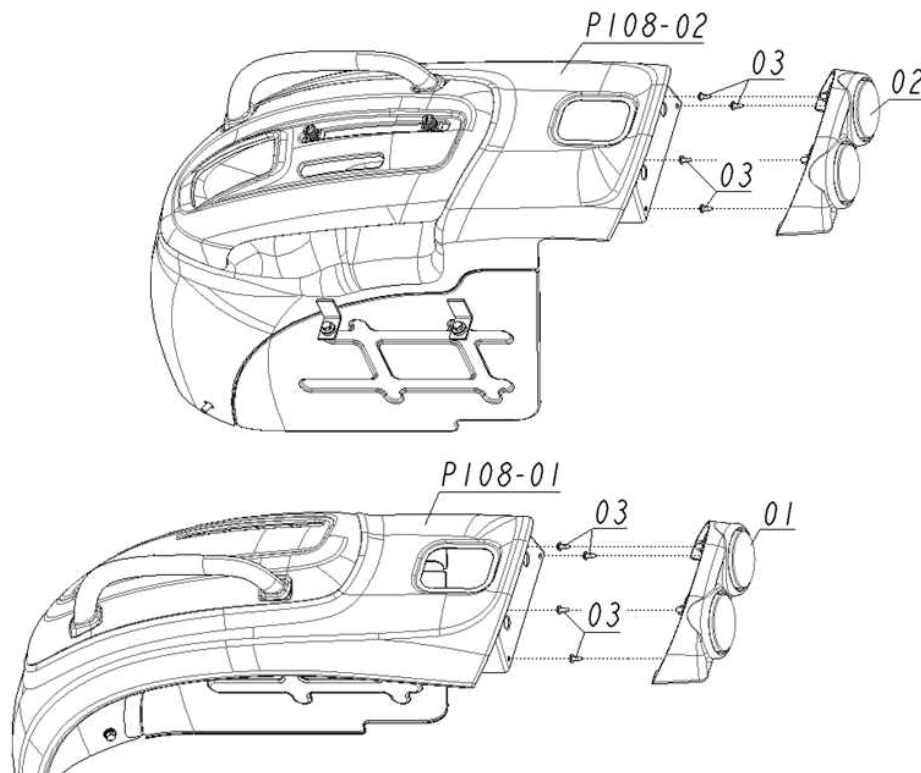
13. (HEAD RIGHT)





No.	Part No.	Part Name	(Q'ty)	SB22M	SB25 H	SB31 M	SB31H	Remarks
1	HA00000981A	ASS'Y LIGHT, HEAD	1	X	X	X	X	
2	HA00000982A	ASS'Y LIGHT, HEAD	1	X	X	X	X	
3	TA00057487A	FRONT MASK	1	X	X	X	X	
4	TA00041013A	DECORATION	1	X	X	X	X	
5	TA00041014A	DECORATION	1	X	X	X	X	
6	TA00041015A	DECORATION	1	X	X	X	X	
7	TA00041016A	DECORATION	1	X	X	X	X	
8	TTD7090000A4	SCREW	4	X	X	X	X	
9	22587-350102	SCREW	8	X	X	X	X	

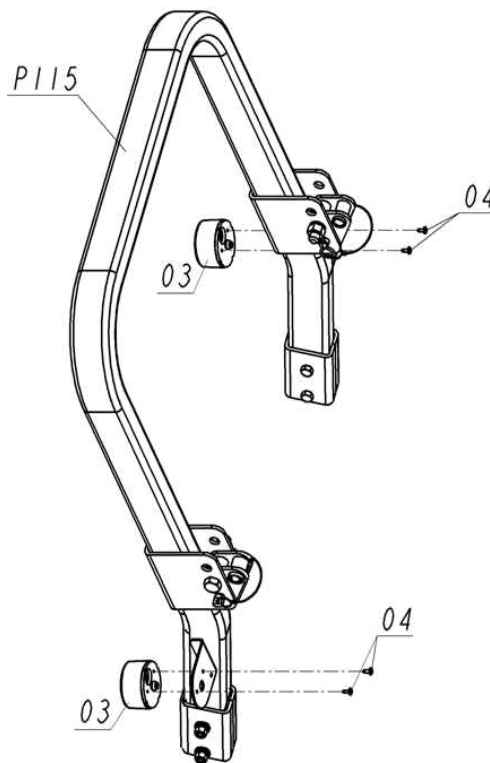
14. (TAIL LIGHT)





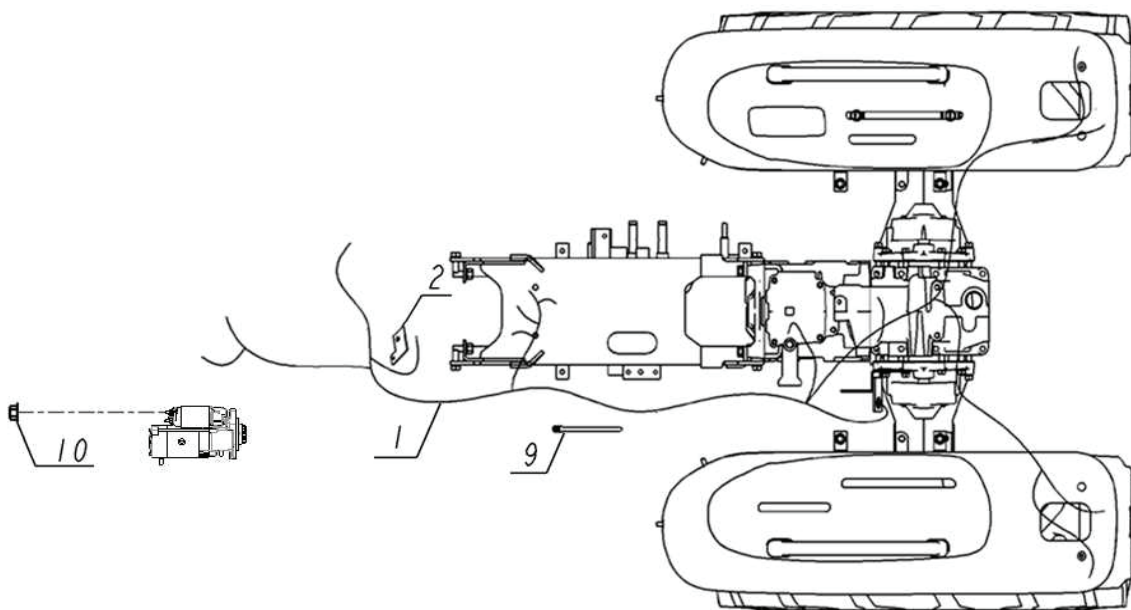
No.	Part No.	Part Name	(Q'ty)	SB22M	SB25 H	SB31 M	SB31H	Remarks
1	TA00017211A	TAIL RAMP L ASS'Y	1	X	X	X	X	
2	TA00017212A	TAIL RAMP R ASS'Y	1	X	X	X	X	
3	TTD7090000A4	SCREW	8	X	X	X	X	

15. (WINKER LAMP)



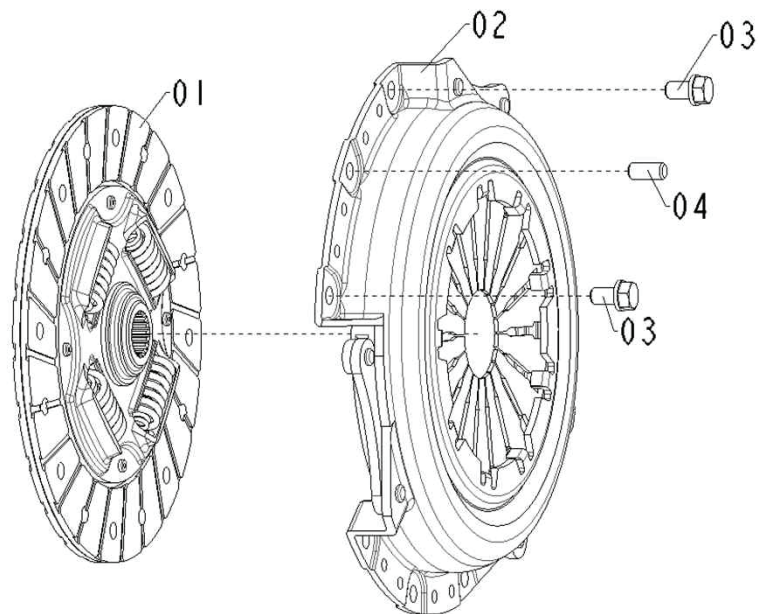
No.	Part No.	Part Name	(Q'ty)	SB22M	SB25 H	SB31 M	SB31H	Remarks
3	HA00000341A	ASS'Y WINKER LAMP	2	X	X	X	X	
4	TTD7090000A4	SCREW	4	X	X	X	X	

16. (ELECTRICAL WIRING)



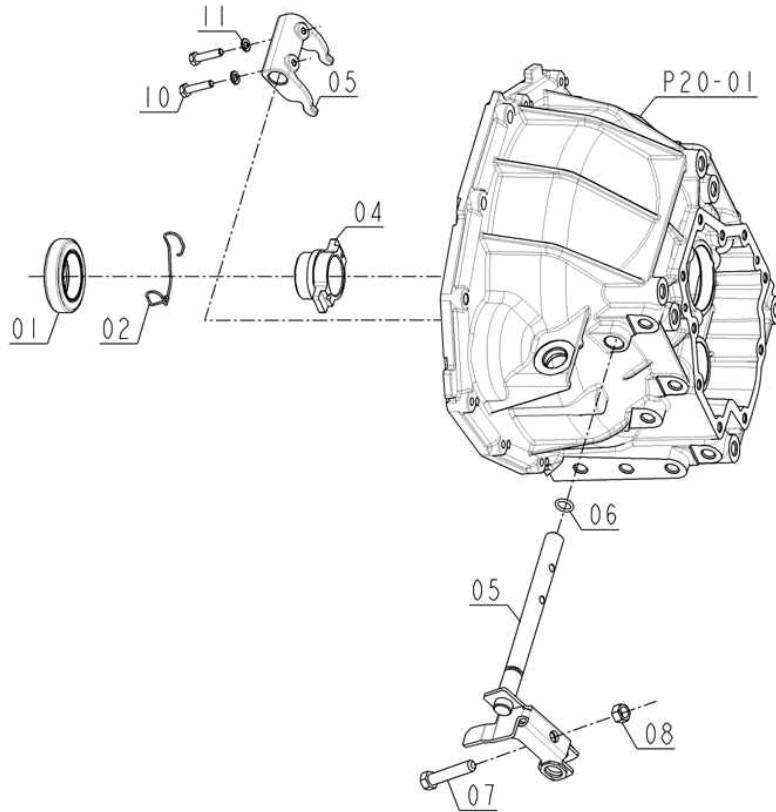
No.	Part No.	Part Name	(Q'ty)	SB22M	SB25 H	SB31 M	SB31H	Remarks
1	HA00001361A	ASS'Y WIRE HARNESS	1	X		X		
1	HA00001281A	ASS'Y WIRE HARNESS	1		X		X	
2	FE19020000C	BRAKET	1	X	X	X	X	
9	TB39260000A	BAND, CORD	5	X	X	X	X	
10	26637-050002	NUT	1	X	X	X	X	

17. (CLUTCH)



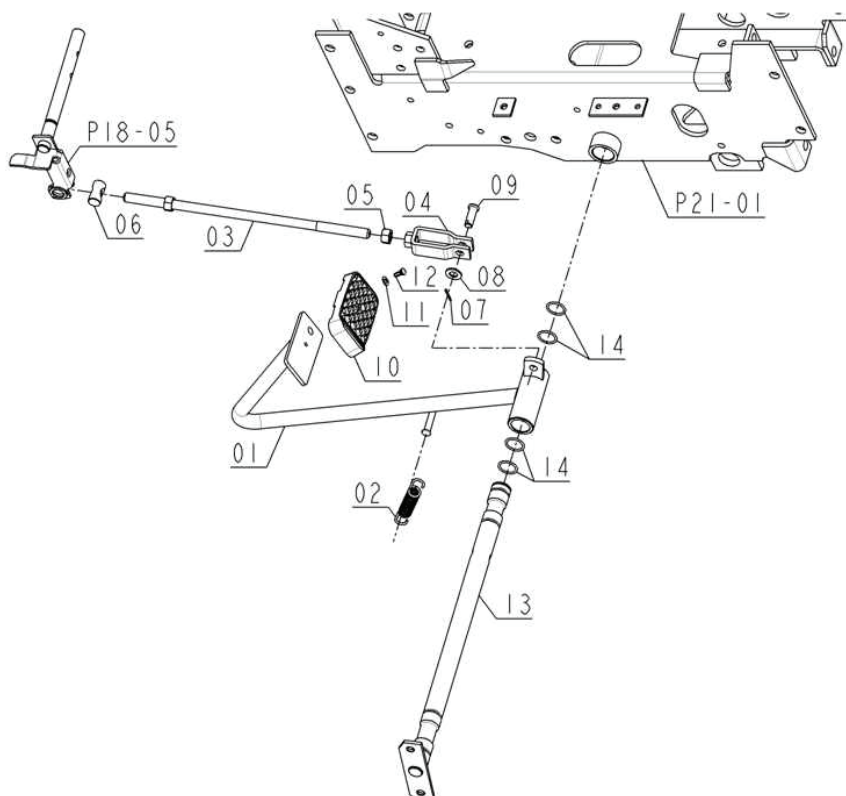
No.	Part No.	Part Name	(Q'ty)	SB22M	SB25 H	SB31 M	SB31H	Remarks
1	FE21010000A	CLUTCH DISK ASS'Y	1	X	X	X	X	
2	FE21020000A	COMP. PLATE, PRESSURE	1	X	X	X	X	
3	26013-080162	BOLT	6	X	X	X	X	M8X16
4	22351-080016	PIN, STRAIGHT	3	X	X	X	X	

18. (CLUTCH ROD)



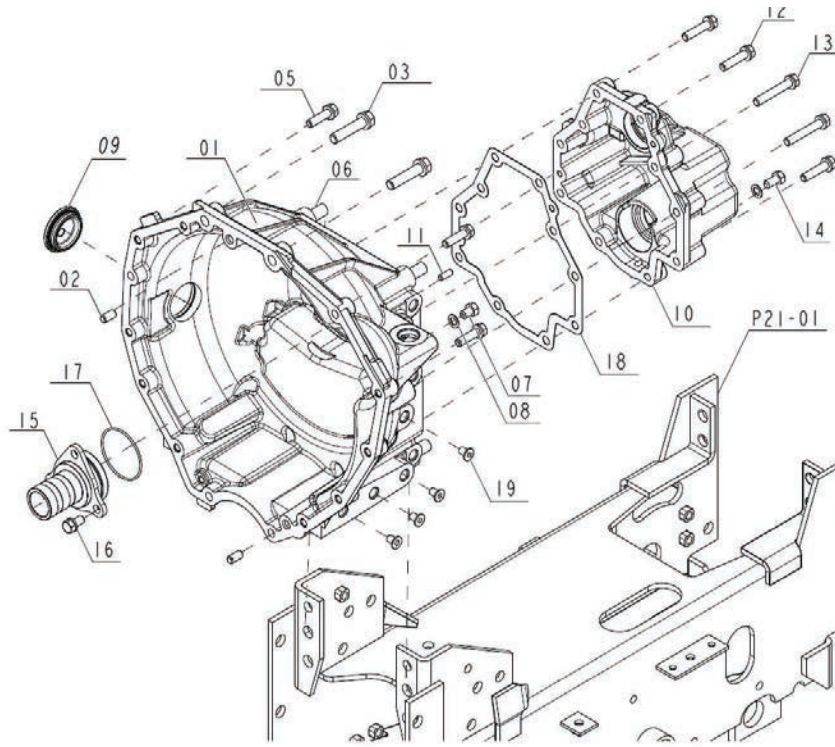
No.	Part No.	Part Name	(Q'ty)	SB22M	SB25 H	SB31 M	SB31H	Remarks
1	FE22010000A	BEARING, RELEASE	1	X	X	X	X	
2	FE22020000A	HOLDER, BEARING	1	X	X	X	X	
3	TA00019426A	FORK, CLUTCH RELEASE	1	X	X	X	X	
4	FE22040000A	SPRING	1	X	X	X	X	
5	FE22050000C	SHAFT, CLUTCH ROD	1	X	X	X	X	
6	24311-000120	O RING	1	X	X	X	X	
7	26116-100504	BOLT	1	X	X	X	X	M10X50
8	26712-100002	NUT	1	X	X	X	X	M10
10	TA00019440A	BOLT	2	X	X	X	X	
11	22217-060000	WASHER, SPRING	2	X	X	X	X	

19. (CLUTCH PADAL)



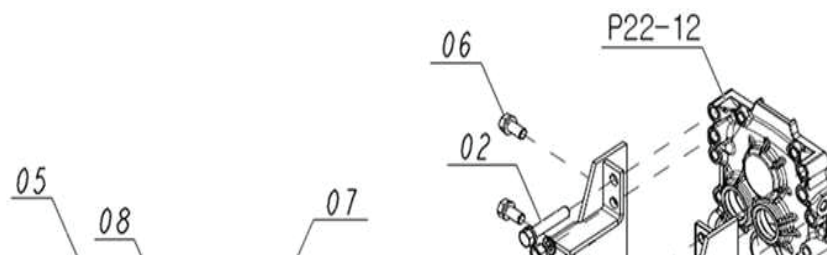
No.	Part No.	Part Name	(Q'ty)	SB22M	SB25	SB31	SB31H	Remarks
					H	M		
1	FE23010000B	PEDAL, CLUTCH	1	X	X	X	X	
2	FE23030000A	SPRING, CLUTCH	1	X	X	X	X	
3	FE23050000A	ROD, CLUTCH	1	X	X	X	X	
4	FE23060000A	U_JOINT	1	X	X	X	X	
5	TT67040000A4	NUT_L	1	X	X	X	X	M12 LH
6	FE23080000A	PIN_CLUTCH	1	X	X	X	X	
7	22417-200160	COTTER PIN	1	X	X	X	X	
8	22127-100000	WASHER	1	X	X	X	X	
9	22486-100240	PIN, FASTENER	1	X	X	X	X	
10	TC73050000A3	COVER, PEDAL	1	X	X	X	X	
11	TC73040000A4	WASHER	1	X	X	X	X	
12	TC73030000A4	REVET	1	X	X	X	X	
13	TA00017078A	SHAFT, PEDAL	1	X	X	X	X	
14	24311-000210	O_RING	4	X	X	X	X	

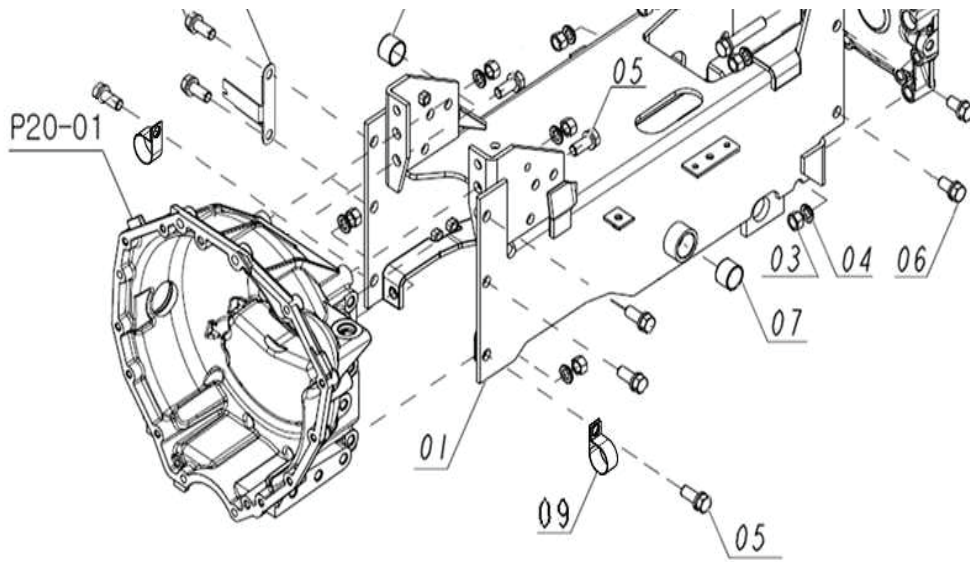
20. (CLUTCH HOUSING)



No.	Part No.	Part Name	(Q'ty)	SB22M	SB25	SB31	SB31H	Remarks
				H	M			
1	FE24010000C	HOUSING, CLUTCH	1	X	X	X	X	
2	22312-080140	PIN, STRAIGHT	2	X	X	X	X	
3	26013-100452	BOLT	2	X	X	X	X	M10X45
4	26013-080452	BOLT	2	X	X	X	X	M8X45
5	26013-080302	BOLT	11	X	X	X	X	M8X30
6	26216-120252	STUD,BOLT	4	X	X	X	X	
7	26116-080122	BOLT	1	X	X	X	X	M8X12
8	23414-080000	PACKING	2	X	X	X	X	
9	FE24100000A	SEAL CAP	1	X	X	X	X	
10	FE24110000C	COVER, CLUTCH HOUSING	1	X		X		
10	TA00050377A	COVER, CLUTCH HOUSING	1		X		X	
11	22312-060140	PIN, STRAIGHT	2	X	X	X	X	
12	26013-080352	BOLT	4	X	X	X	X	M8X35
13	26013-080502	BOLT	6	X	X	X	X	M8X50
14	26116-080162	PLUG	1	X	X	X	X	M8X16
15	FE24170000A	BEARING CASE	1	X	X	X	X	
16	26013-080162	BOLT	3	X	X	X	X	M8X16
17	24341-000530	O_RING	1	X	X	X	X	
18	FE24200000A	PACKING, CLUTCH HOUSIN	1	X	X	X	X	
19	TB26070000A	PLUG	8	X	X	X	X	

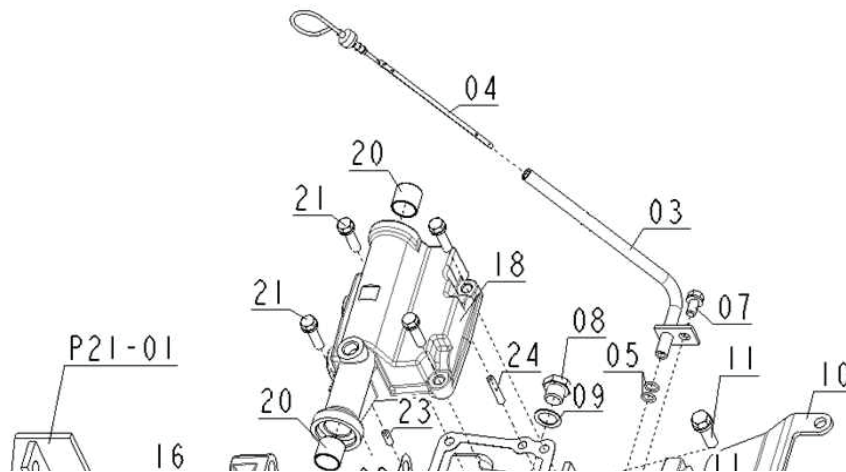
21. (CENTER FRAME)

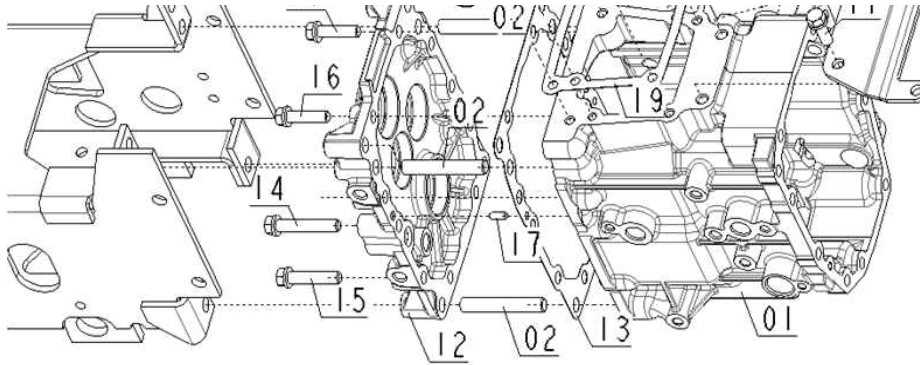




No.	Part No.	Part Name	(Q'ty)	SB22M	SB25 H	SB31 M	SB31H	Remarks
1	TA00054902A	COMP. FRAME, CENTER	1	X				
1	FE25010000L	COMP. FRAME, CENTER	1		X			
1	TA00052575A	COMP. FRAME, CENTER	1			X		
1	TA00039494E	COMP. FRAME, CENTER	1				X	
2	26013-120652	BOLT	2	X	X	X	X	M12X65
3	26716-120002	NUT	8	X	X	X	X	M12X65
4	22217-120000	WASHER, SPRING	8	X	X	X	X	
5	26013-120302	BOLT	8	X	X	X	X	M12X30
6	26013-120252	BOLT	4	X	X	X	X	M12X25
7	24550-025200	BUSH(25X28X20)	2	X	X	X	X	
8	TA00049206A	BRACKET	1	X	X	X	X	
9	TA00003081A	CLIP12	2	X	X	X	X	

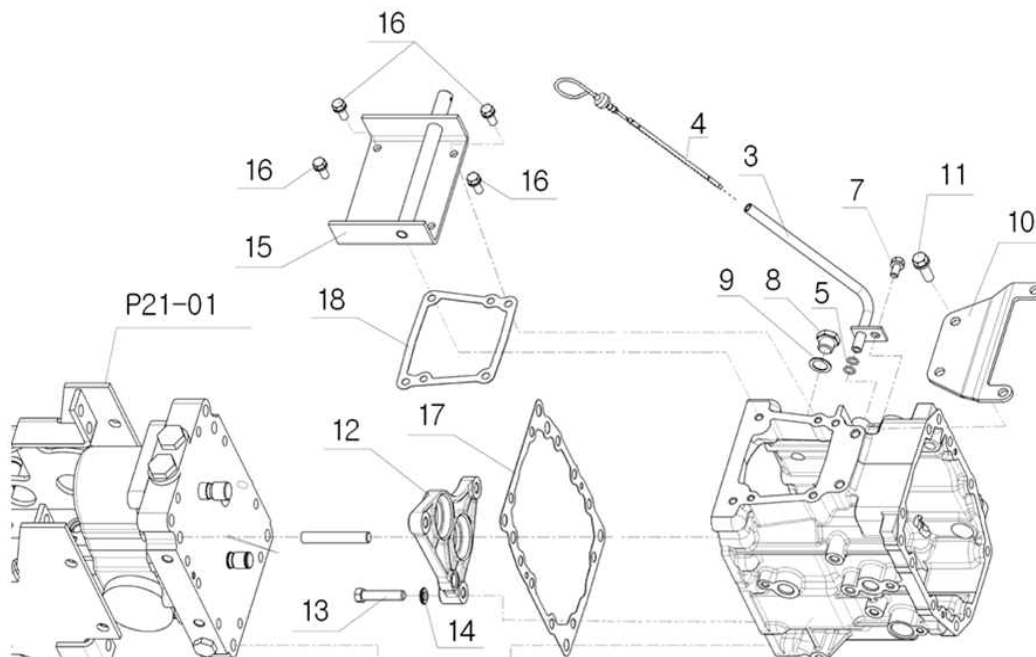
22. (TRANSMISSION CASE)

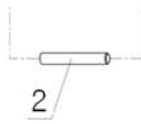




No.	Part No.	Part Name	(Q'ty)	SB22M	SB25 H	SB31 M	SB31H	Remarks
1	FE27010000F	CASE, TRANSMISSION	1	X		X		
2	26216-120602	STUD,BOLT	4	X		X		
3	FE27030000A	PIPE, OIL GAUGE	1	X				
3	TA00039670A	PIPE, OIL GAUGE	1			X		
4	FE27040000A	GAUGE, OIL	1	X				
4	TA00039713A	GAUGE, OIL	1			X		
5	24311-000100	O RING	2	X		X		
7	26013-080162	BOLT	1	X		X		M8X16
8	23887-160002	PLUG	1	X		X		
9	23414-160000	PACKING	1	X		X		
10	FE27100000A	BRACKET	1	X		X		
11	26013-100302	BOLT	2	X		X		M10X30
12	FE27120000A	COVER, FORNT	1	X		X		
13	FE27130000A	PACKING, FRONT COVER	1	X		X		
14	26013-100602	BOLT	1	X		X		M10X60
15	26013-100502	BOLT	4	X		X		M10X50
16	26013-100402	BOLT	5	X		X		M10X40
17	22312-060140	PIN, STRAIGHT	2	X		X		
18	FE27170000A	ASS'Y COVER, UPPER	1	X		X		
19	FE27180000A	PACKING, ASS'Y COVER	1	X		X		
20	24550-020200	BUSH	2	X		X		20x23x20
21	26013-080302	BOLT	4	X		X		M8X30
23	22312-060140	PIN, STRAIGHT	1	X		X		
24	22312-060320	PIN, STRAIGHT	1	X		X		

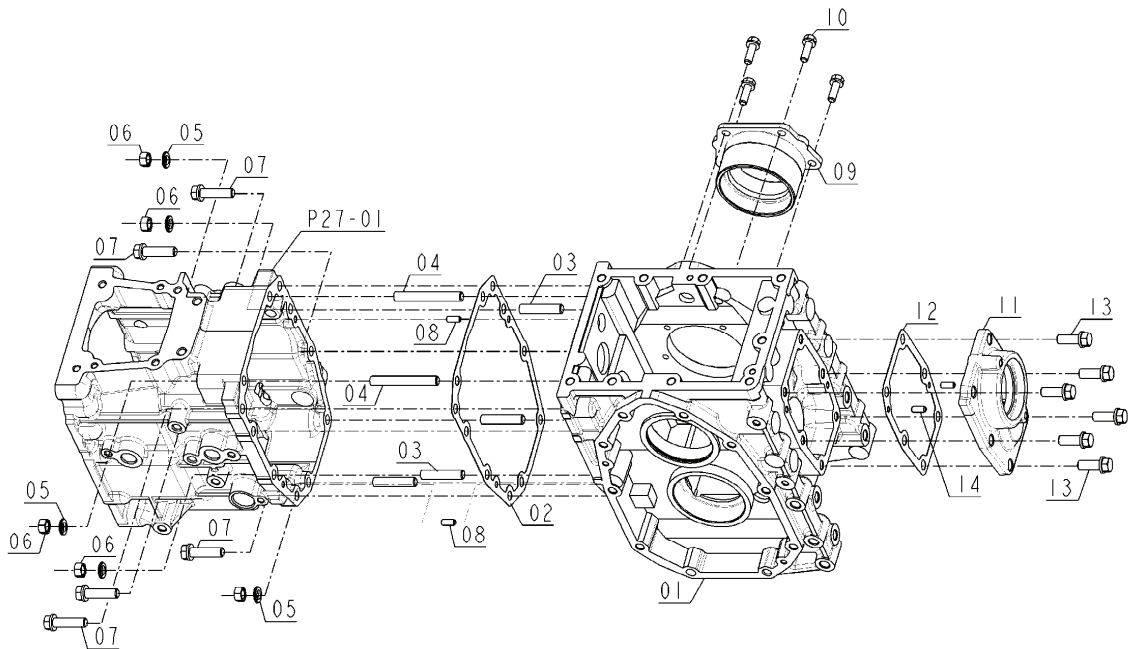
23. (TRANSMISSION CASE)





No.	Part No.	Part Name	(Q'ty)	SB22M	SB25 H	SB31 M	SB31H	Remarks
1	TA00003027E	CASE, TRANSMISSION	1		X		X	
2	26216-120602	STUD,BOLT	4		X		X	
3	FE27030000A	PIPE, OIL GAUGE	1		X			
3	TA00039670A	PIPE, OIL GAUGE	1				X	
4	FE27040000A	GAUGE, OIL	1		X			
4	TA00039713A	GAUGE, OIL	1				X	
5	24311-000100	O RING	2		X		X	
7	26013-080162	BOLT	1		X		X	M8X16
8	23887-160002	PLUG	1		X		X	
9	23414-160000	PACKING	1		X		X	
10	FE27100000A	BRACKET	1		X		X	
11	26013-100302	BOLT	2		X		X	M10X30
12	TA00003024A	HOLDER, BEARING	1		X		X	
13	TA00016301A	BOLT, REAMER	3		X		X	
14	22217-100000	WASHER, SPRING	3		X		X	
15	TA00017200A	COVER, UPPER	1		X		X	
16	26013-080202	BOLT	4		X		X	M8X20
17	FE27130000A	PACKING	1		X		X	
18	FE27180000A	PACKING, ASS'YCOVER	1		X		X	

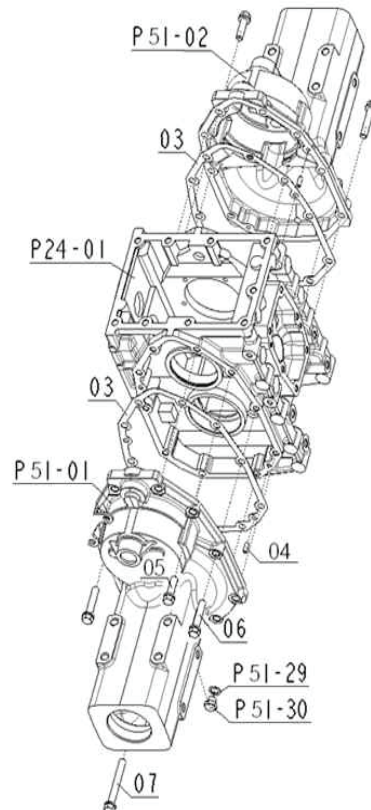
24. (DIFFERENTIAL GEAR CASE)



No.	Part No.	Part Name	(Q'ty)	SB22M	SB25 H	SB31 M	SB31H	Remarks
-----	----------	-----------	--------	-------	--------	--------	-------	---------

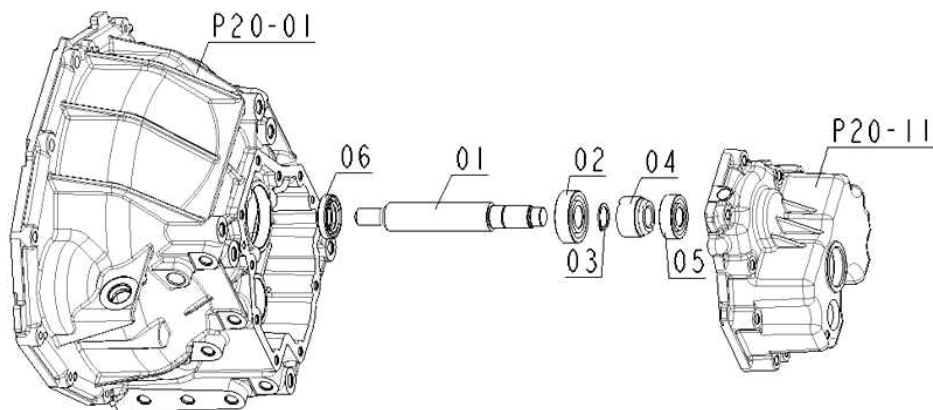
1	FE29010000E	CASE, DIFF. GEAR	1	X	X	X	X	
2	FE29020000A	PACKING, CASE, DIFF. GEA	1	X	X	X	X	
3	26216-100352	STUD,BOLT	4	X	X	X	X	
4	26216-100652	STUD,BOLT	2	X	X	X	X	
5	22217-100000	WASHER, SPRING	6	X	X	X	X	
6	26716-100002	NUT	6	X	X	X	X	M10
7	26013-100402	BOLT	5	X	X	X	X	M10X40
8	22312-060140	PIN, STRAIGHT	2	X	X	X	X	
9	FE29080000A	HOLDER, DIFF. BRG. RH	1	X	X	X	X	
10	26013-080252	BOLT	4	X	X	X	X	M8X25
11	FE29100000A	COVER, REAR	1	X	X	X	X	
12	FE29110000A	PACKING, COVER, REAR	1	X	X	X	X	
13	26013-100302	BOLT	6	X	X	X	X	M10X30
14	22312-060140	PIN, STRAIGHT	2	X	X	X	X	

25. (REAR AXLE CASE)



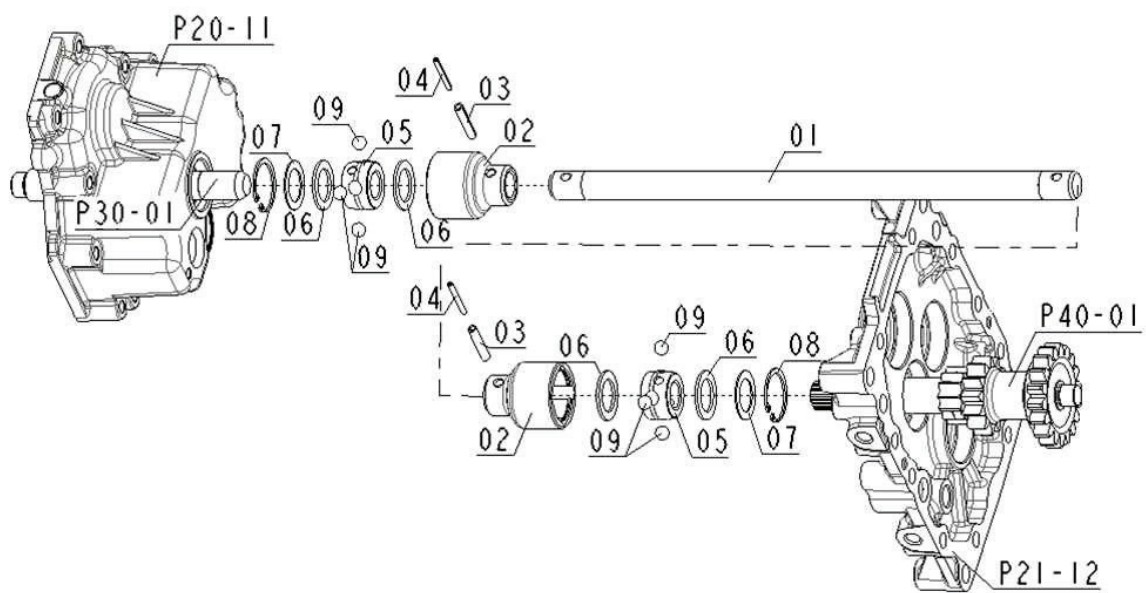
No.	Part No.	Part Name	(Q'ty)	SB22M	SB25	SB31	SB31H	Remarks
				H	M			
3	FE30030000A	PACKING, CASE, AXLE, RH	2	X	X	X	X	
4	22312-060140	PIN, STRAIGHT	4	X	X	X	X	
5	26013-100352	BOLT	8	X	X	X	X	M10X35
6	26013-100502	BOLT	10	X	X	X	X	M10X50
7	26013-100802	BOLT	2	X	X	X	X	M10X80

26. (CLUTCH SHAFT)



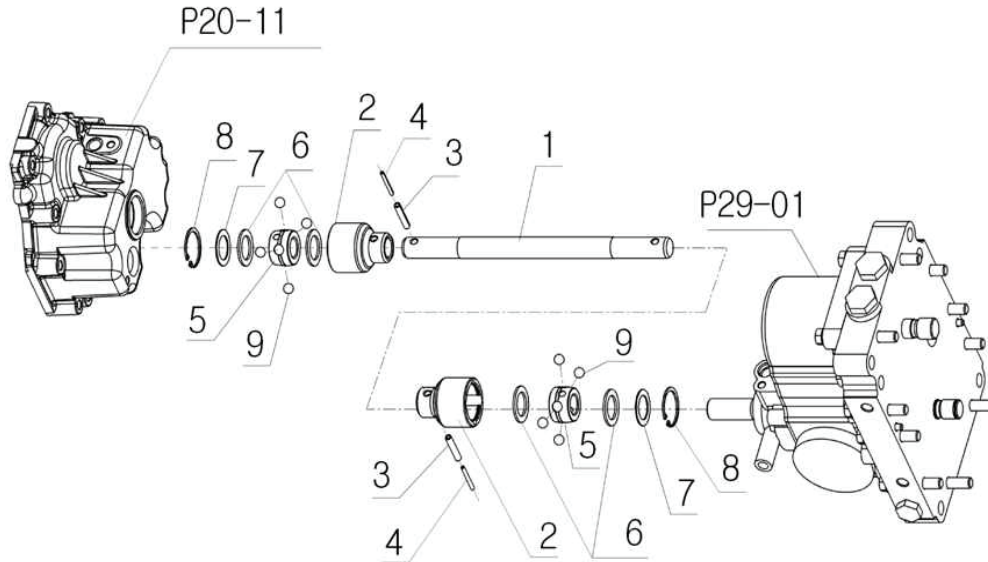
No.	Part No.	Part Name	(Q'ty)	SB22M	SB25	SB31		Remarks
					H	M	SB31H	
1	FE31010000A	SHAFT, CLUTCH	1	X	X	X	X	
2	24101-062044	BEARING, BALL	1	X	X	X	X	6204
3	22242-000200	CIR CLIP, EXTERNAL	1	X	X	X	X	
4	FE31040000A	GEAR, CLUTCH SHAFT	1	X	X	X	X	
5	24101-062034	BEARING, BALL	1	X	X	X	X	6203
6	FE31060000A	SEAL, OIL	1	X	X	X	X	

27. (PROPELLER SHAFT)



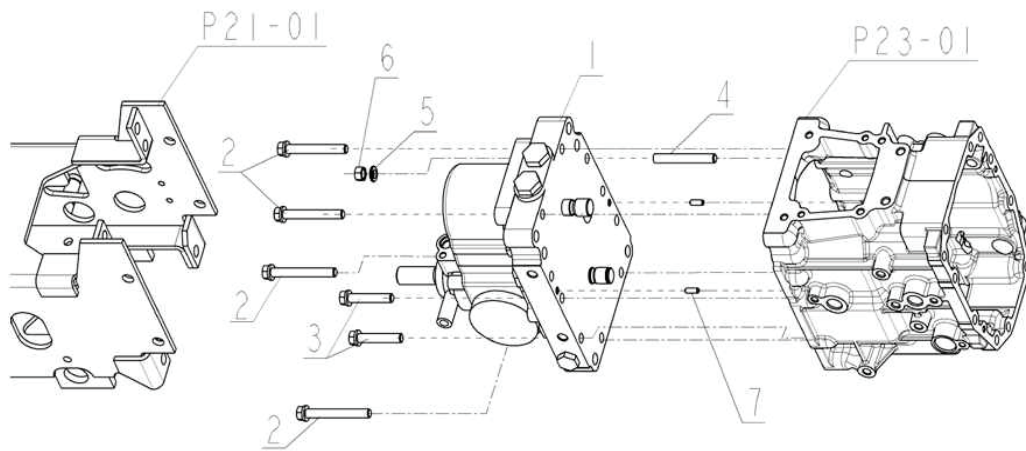
No.	Part No.	Part Name	(Q'ty)	SB22M	SB25 H	SB31 M	SB31H	Remarks
1	FE32010000A	SHAFT, PROPELLER	1	X				
1	TA00039973A	SHAFT, PROPELLER	1			X		
2	FE32020000A	COUPLING, BALL OUTER	2	X		X		
3	22351-060032	PIN, SPRING	2	X		X		
4	22351-035032	PIN, SPRING	2	X		X		
5	FE32050000A	COUPLING, BALL INNER	2	X		X		
6	FE32060000A	GASKET, BALL JOINT	4	X		X		
7	FE32070000A	SUPPORT, GASKET	2	X		X		
8	22252-000350	CIR CLIP, INTERNAL	2	X		X		
9	24190-120001	BALL	8	X		X		

28.프로펠러축(PELLER SHAFT)-HST



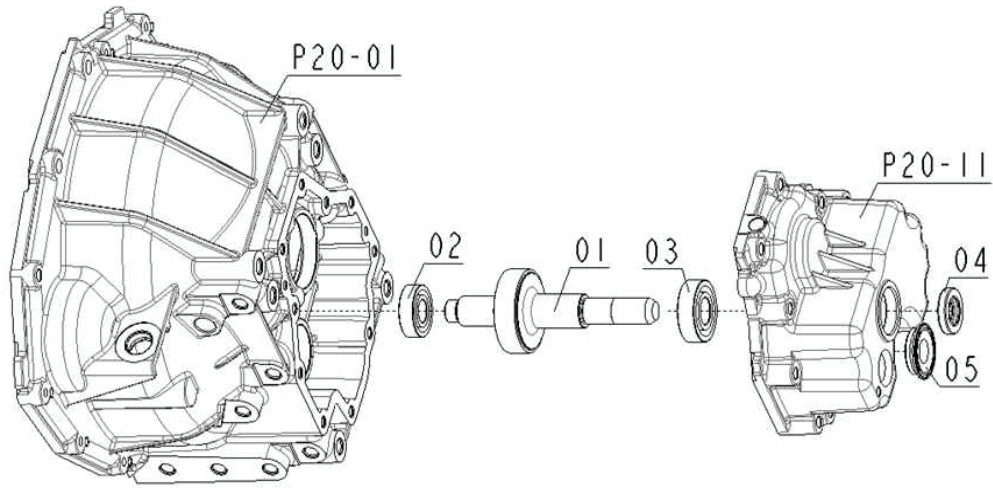
번호 No.	부품 번호 Part No.	품명 Part Name	수량 (Q'ty)	SB22M	SB25 H	SB31 M	SB31H	비고 Remarks
1	TA00002851A	프로펠러축	1		X			
1	TA00039503A	프로펠러축	1				X	
2	FE32020000A	볼(외) 커플링	2		X		X	
3	22351-060032	스프링핀	2		X		X	
4	22351-035032	스프링핀	2		X		X	
5	FE32050000A	볼커플링	2		X		X	
6	FE32060000A	볼조인트 가스켓	4		X		X	
7	FE32070000A	가스켓 지지	2		X		X	
8	22252-000350	구멍용C형스냅링A종	2		X		X	
9	24190-120001	강구	8		X		X	

29. HST (HST)



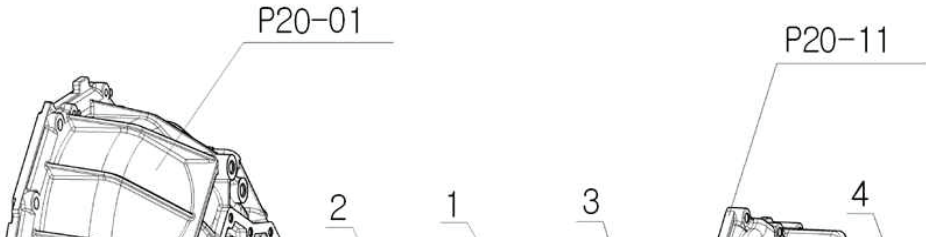
No.	Part No.	Part	Name	(Q'ty)	SB22M	SB25 H	SB31 M	SB31H	Remarks
1	TA00017930C		ASSY HST	1		X		X	
2	26106-100752		BOLT	4		X		X	M10X75
3	26013-100552		BOLT	5		X		X	M10X55
4	TA00017828A		STUD,BOLT	1		X		X	M10X60
5	22217-100000		WASHER, SPRING	1		X		X	
6	26716-100002		NUT	1		X		X	M10
7	22312-060140		PIN, STRAIGHT	2		X		X	

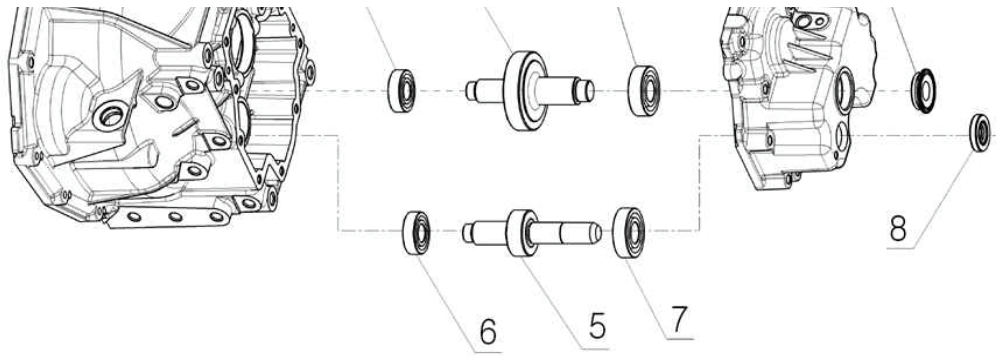
30. (FRONT SHAFT)



No.	Part No.	Part	Name	(Q'ty)	SB22M	SB25 H	SB31 M	SB31H	Remarks
1	FE35010000A		SHAFT, FRONT	1	X		X		
2	RR19170000A3		BEARING, BALL	1	X		X		
3	24101-062044		BEARING, BALL	1	X		X		6204
4	FE35040000B		SEAL, OIL	1	X		X		
5	FE35050000A		SEAL, CAP	1	X		X		

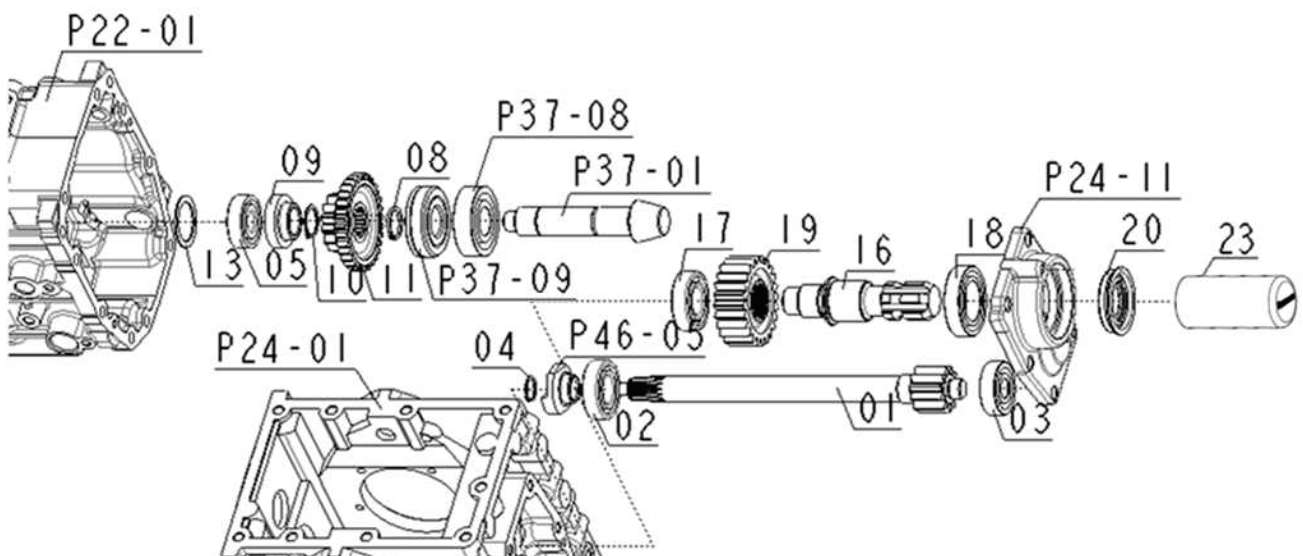
31. (FRONT SHAFT)-HST

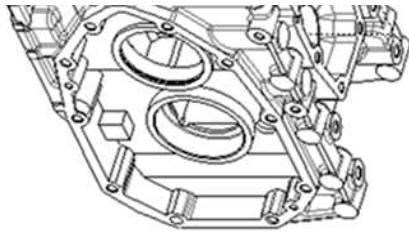




No.	Part No.	Part Name	(Q'ty)	SB22M	SB25 H	SB31 M	SB31H	Remarks
1	TA00002953A	SHAFT, FRONT	1		X		X	
2	RR19170000A3	BEARING, BALL	1		X		X	
3	24101-062044	BEARING, BALL	1		X		X	6204
4	FE35050000A	SEAL, CAP	1		X		X	
5	TA00002954A	SHAFT, FRONT	1		X		X	
6	24101-062034	BEARING, BALL	1		X		X	6203
7	RR21110000A3	BEARING, BALL	1		X		X	
8	TA00028848A	SEAL, OIL	1		X		X	

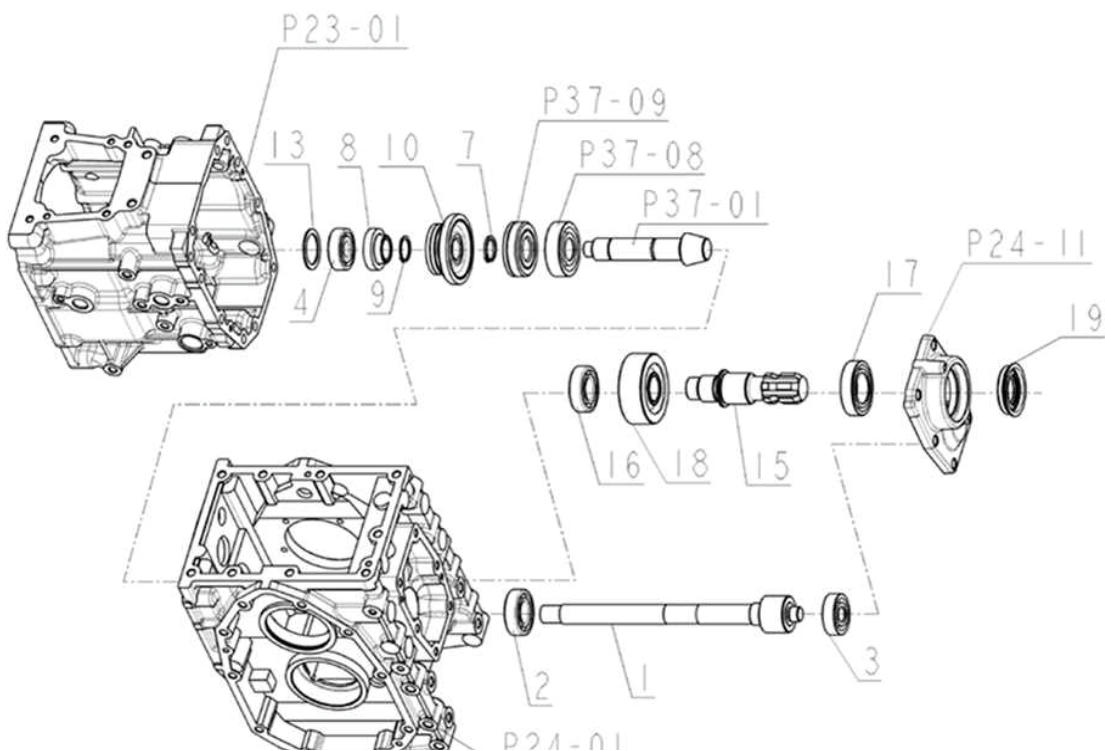
32. PTO (PTO SHAFT)





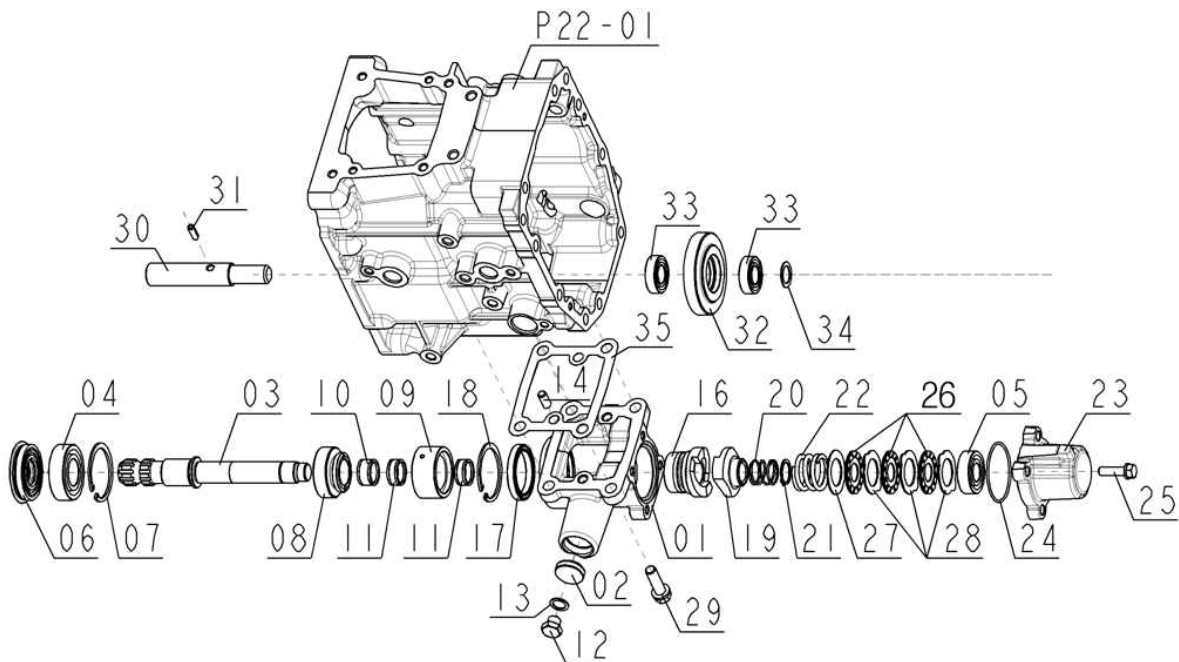
No.	Part No.	Part Name	(Q'ty)	SB22M	SB25	SB31	SB31H	Remarks
					H	M		
1	FE37010000A	GEAR-SHAFT	1	X		X		
2	TT58010000A4	BEARING, BALL	1	X		X		
3	24101-063034	BEARING, BALL	1	X		X		6303
4	22242-000190	CIR CLIP, EXTERNAL	1	X		X		
5	24510-730320	BEARING, BALL	1	X		X		
8	FE37080000B	CIR CLIP, EXTERNAL	1	X		X		
9	FE37090000A	GEAR, 4WD	1	X		X		
10	22242-000250	CIR CLIP, EXTERNAL	1	X		X		
11	TA00031467B	GEAR	1	X		X		
13-2	FGE8040000	WASHER	1	X		X		T1.2
16	FE37160000B	SHAFT, PTO	1	X		X		
17	TT58010000A4	BEARING, BALL	1	X		X		
18	24101-060074	BEARING, BALL	1	X		X		6007
19	FE37190000A	GEAR	1	X		X		
20	FE37200000A	SEAL, OIL	1	X		X		
21	TT80030000A3	COVER, PTO SHAFT	1	X	X	X	X	
22	26014-080162	BOLT	2	X	X	X	X	M8X16

33. PTO (PTO SHAFT)-HST



No.	Part No.	Part Name	(Q'ty)	SB22M	SB25 H	SB31 M	SB31H	Remarks
1	TA00002959A	GEAR-SHAFT	1		X		X	
2	TT58010000A4	BEARING, BALL	1		X		X	
3	24101-063034	BEARING, BALL	1		X		X	6303
4	24510-730320	BEARING, BALL	1		X		X	
7	FE37080000B	CIR CLIP, EXTERNAL	1		X		X	
8	FE37090000A	GEAR, 4WD	1		X		X	
9	22242-000250	CIR CLIP, EXTERNAL	1		X		X	
10	TA00031465B	GEAR	1		X		X	
13	FGE8040000	WASHER	1		X		X	
15	FE37160000B	SHAFT, PTO	1		X		X	
16	TT58010000A4	BEARING, BALL	1		X		X	
17	24101-060074	BEARING, BALL	1		X		X	6007
18	FE37190000A	GEAR	1		X		X	
19	FE37200000A	SEAL, OIL	1		X		X	

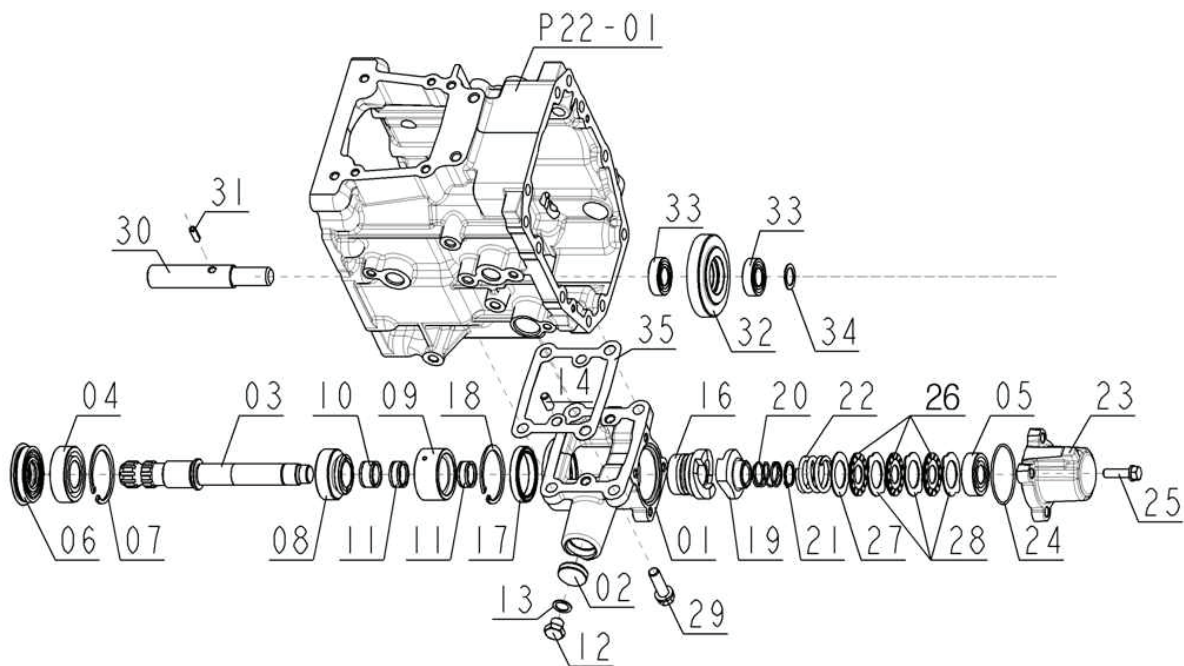
34. MID PTO



No.	Part No.	Part Name	(Q'ty)	SB22M	SB25 H	SB31 M	SB31H	Remarks
1	FE39010000A	CASE, MID PTO	1	X			X	
2	FE39020000A	SEALCAP	1	X			X	
3	FE39030000A	SHAFT, MID PTO	1	X			X	
4	24101-062054	BEARING, BALL	1	X			X	6205

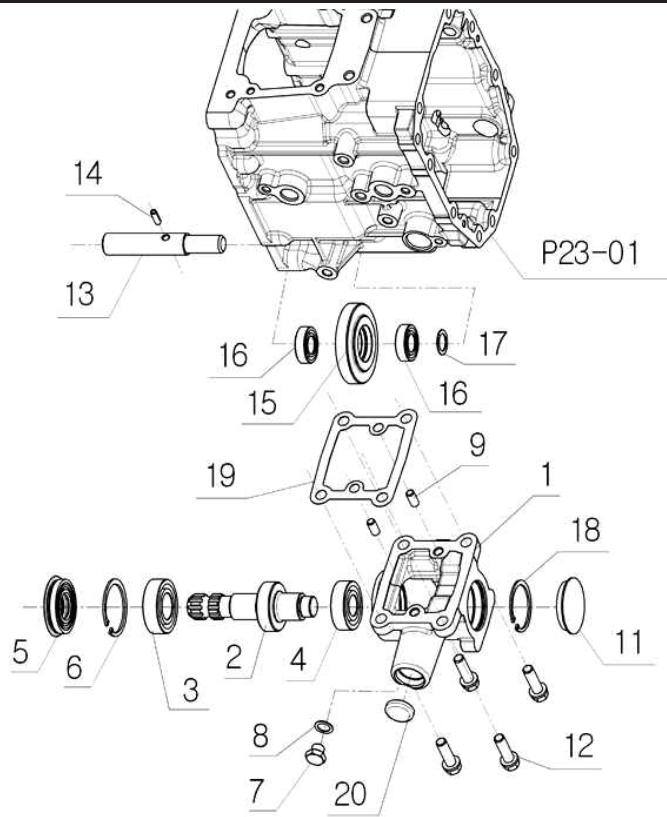
5	24101-062034	BEARING, BALL	1	X	X	6203
6	FE39060000A	SEAL, OIL MID PTO	1	X	X	
7	22252-000520	CIR CLIP, INTERNAL	1	X	X	
8	FE39080000A	GEAR, MID PTO	1	X	X	
9	FE39090000A	COUPLING, MID PTO	1	X	X	
10	24161-202413	BEARING, NEEDLE	1	X	X	
11	24161-202410	BEARING, NEEDLE	2	X	X	
12	23887-120002	PLUG	1	X	X	
13	23414-120000	PACKING	1	X	X	
14	22312-080160	PIN, STRAIGHT	2	X	X	
16	FE39160000A	CAM, ONE WAY CLUTCH	1	X	X	
17	TA00016556A	BEARING, BALL	1	X	X	6808
18	22252-000520	CIR CLIP, INTERNAL	1	X	X	
19	FE46050000A	CAM, ONE WAY CLUTCH	1	X	X	
20	FE39200000A	SPRING	1	X	X	
21	22242-000200	CIR CLIP, EXTERNAL	1	X	X	
22	FE39220000A	SPRING	1	X	X	
23	FE39230000A	CASE, ONE WAY	1	X	X	
24	24341-000530	O RING	1	X	X	
25	26013-080302	BOLT	4	X	X	M8X30
26	FE39260000A	DISK, FRICTION	3	X	X	
27	FE39270000A	PLATE, FRICTION	1	X	X	
28	FE39280000A	PLATE, SEPARATOR	3	X	X	

34. MID PTO



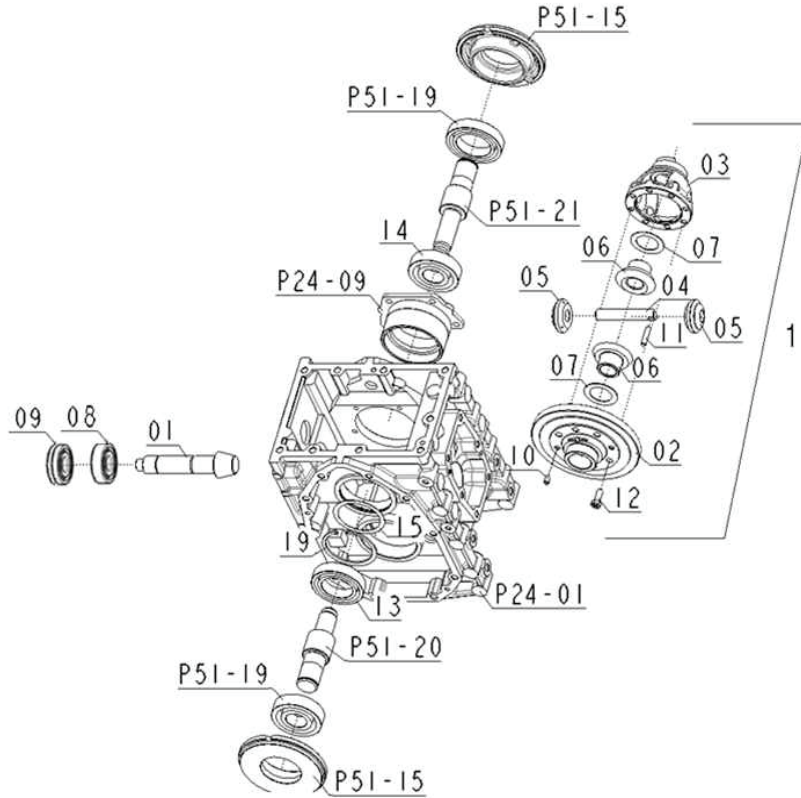
No.	Part No.	Part Name	(Q'ty)	SB22M	SB25	SB31	Remarks
				H	M	SB31H	
29	26013-100352	BOLT	4	X		X	M10X35
30	FE39300000C	SHAFT, IDLE	1	X		X	
31	22351-060016	PIN, SPRING	1	X		X	
32	FE39320000A	GEAR, M-PTO	1	X		X	
33	CTC1040000A4	BEARING, BALL	2	X		X	
34	FE39340000A	COLLAR, THRUST	1	X		X	
35	FE39350000A	PACKING, M-PTO	1	X		X	

35. MID PTO-HST



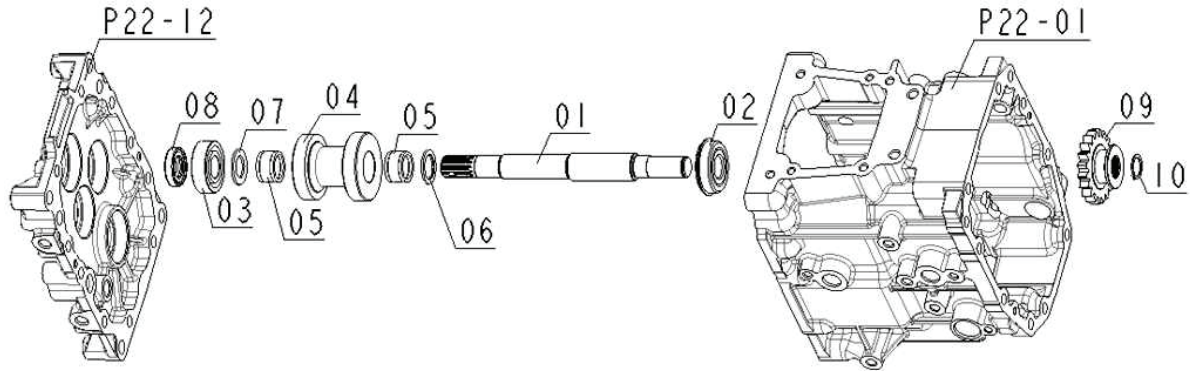
No.	Part No.	Part Name	(Q'ty)	SB22M	SB25 H	SB31 M	SB31H	Remarks
1	TA00003057B	CASE, MID PTO	1		X		X	
2	TA00003065A	SHAFT, GEAR	1		X		X	
3	24101-062054	BEARING, BALL	1		X		X	6205
4	24101-062044	BEARING, BALL	1		X		X	6204
5	FE39060000A	SEAL, MID PTO	1		X		X	
6	22252-000520	CIR CLIP, INTERNAL	1		X		X	
7	23887-120002	PLUG	1		X		X	
8	23414-120000	PACKING	1		X		X	
9	22312-080160	PIN, STRAIGHT	2		X		X	
11	27260-470001	SEAL CAP	1		X		X	
12	26013-100352	BOLT	4		X		X	M10X35
13	FE39300000A	SHAFT, IDLE	1		X		X	
14	22351-060016	PIN, SPRING	1		X		X	
15	FE39320000A	GEAR, M-PTO	1		X		X	
16	CTC1040000A4	BEARING, BALL	2		X		X	
17	FE39340000A	COLLAR, THRUST	1		X		X	
18	22252-000470	CIR CLIP, INTERNAL	1		X		X	
19	FE39350000A	PACKING	1		X		X	
20	FE39020000A	SEAL CAP	1		X		X	

37. (REAR DIFFERENTIAL)



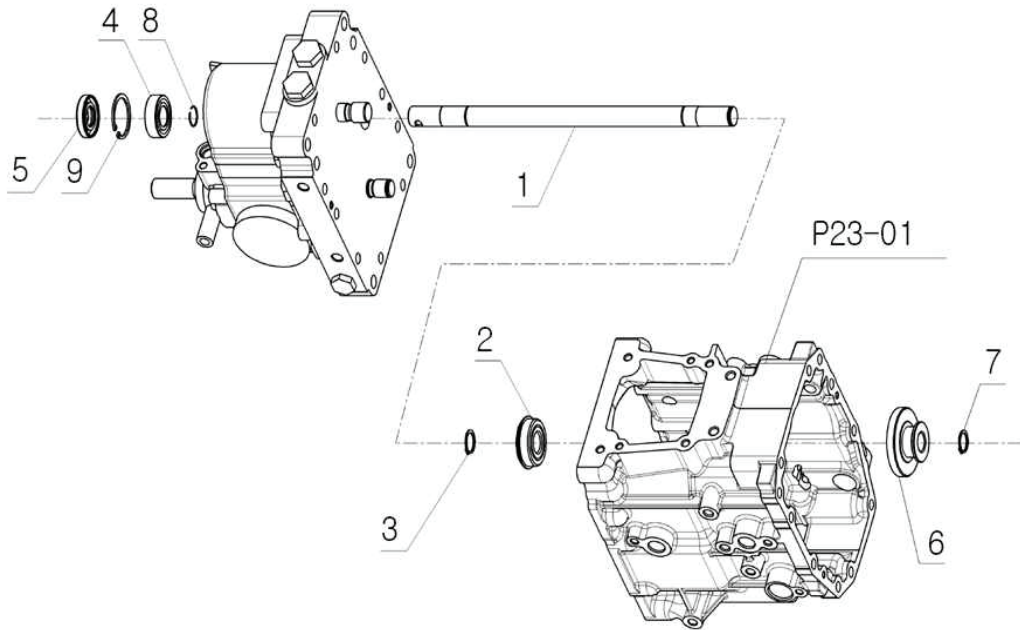
No.	Part No.	Part	Name	(Q'ty)	SB22M	SB25 H	SB31 M	SB31H	Remarks
1	FE41010000A		ASSY,BEVEL GEAR	1	X	X	X	X	
1	TA00050678A		ASSY,BEVEL GEAR	1	X	X	X	X	
1-1	FE41020100A		DRIVE PINION	1	X	X	X	X	
1-1	TA00050362A		DRIVE PINION	1	X	X	X	X	
1-2	FE41020200A		RING GEAR	1	X	X	X	X	
1-3	FE41030000A		CASE, DIFFERENTIAL	1	X	X	X	X	
1-4	FE41040000B		SHAFT, DIFF. PINION	1	X	X	X	X	
1-5	FE41050000B		PINION, DIFF.	2	X	X	X	X	
1-6	FE41060000B		GEAR, DIFF. SIDE	2	X	X	X	X	
1-7	FE41070000A		SHIM	2	X	X	X	X	
1-8	24101-063054		BEARING, BALL	1	X	X	X	X	
1-9	24121-063054		BEARING, BALL	1	X	X	X	X	
1-10	FE41100000A		PIN, LOCK	1	X	X	X	X	
1-11	FE41110000A		PIN, STRAIGHT	1	X	X	X	X	
1-12	TC57080000A4		BOLT, UBS	6	X	X	X	X	
13	TA00000749A		BEARING, BALL	1	X	X	X	X	
14	24101-060104		BEARING, BALL	1	X	X	X	X	
15-2	FE41160000A		SHIM, DIFF. SIDE	1	X	X	X	X	
15-3	TA00018029A		SHIM, DIFF. SIDE	1	X	X	X	X	
19	22252-000750		CIR CLIP, INTERNAL	1	X	X	X	X	

38. (FRONT WHEEL PROPELLER SHAFT)



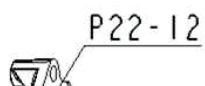
No.	Part No.	Part Name	(Q'ty)	SB22M	SB25 H	SB31 M	SB31H	Remarks
1	FE42010000B	SHAFT, 4WD	1	X		X		
2	24121-062044	BEARING, BALL	1	X		X		
3	24101-062044	BEARING, BALL	1	X		X		6204
4	FE42040000C	GEAR, REVERSE	1	X		X		
5	24161-222817	BEARING, NEEDLE	2	X		X		
6	FE42060000B	COLLAR	1	X		X		
7	FE42070000A	COLLAR	1	X		X		
8	FE42080000A	SEAL, OIL	1	X		X		
9	FE42090000A	GEAR, 4WD	1	X		X		
10	22242-000190	CIR CLIP	1	X		X		

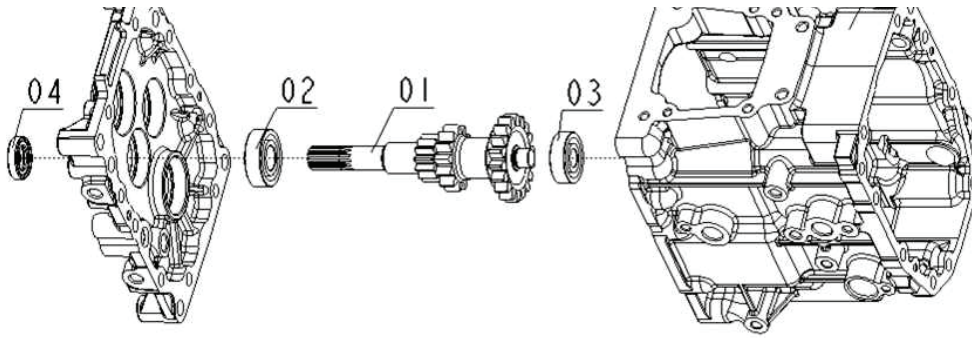
39. (FRONT WHEEL PROPELLER SHAFT)-HST



No.	Part No.	Part Name	(Q'ty)	SB22M	SB25	SB31	SB31H	Remarks
					H	M		
1	TA00002973B	SHAFT, 4WD	1		X		X	
2	24121-062044	BEARING, BALL	1		X		X	
3	22242-000200	CIR CLIP, EXTERNAL	1		X		X	
4	TA00003033A	BEARING	1		X		X	
5	TA00003084A	SEAL, OIL	1		X		X	
6	FE42090000A	GEAR, 4WD	1		X		X	
7	22242-000190	CIR CLIP, EXTERNAL	1		X		X	
8	TA00003042A	CIR CLIP, EXTERNAL	1		X		X	
9	22252-000420	CIR CLIP, INTERNAL	1		X		X	

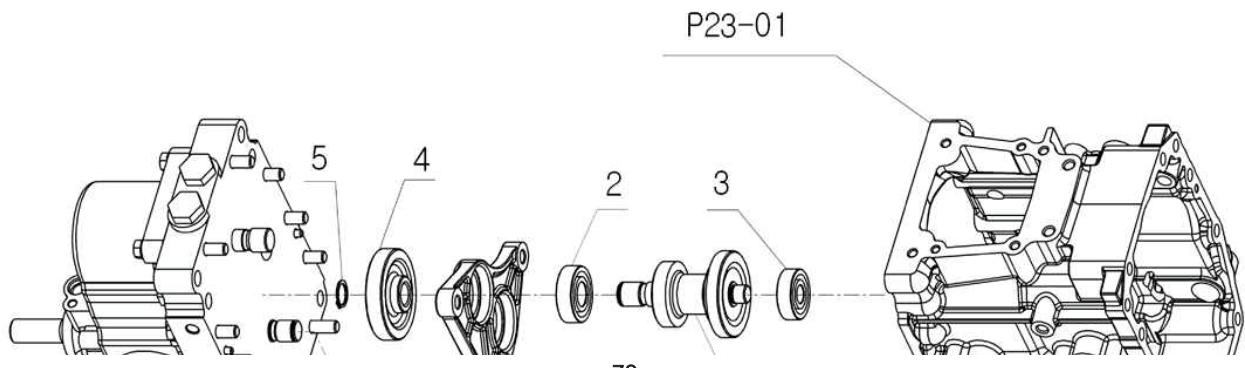
40. (2ND SHAFT)





번호	부품 번호		품명	수량	SB22M	SB25 H	SB31 M	SB31H	비고
No.	Part No.	Part	Name	(Q'ty)					Remarks
1	FE44010000A	기어-축 (13-13-18)	GEAR-SHAFT	1	X		X		
2	24101-062044	깊은 홈 볼베어링	BEARING, BALL	1	X		X		6204
3	24101-063024	깊은 홈 볼베어링	BEARING, BALL	1	X		X		6302
4	FE42080000A	오일실 (특수) 20x35x8	SEAL, OIL	1	X		X		

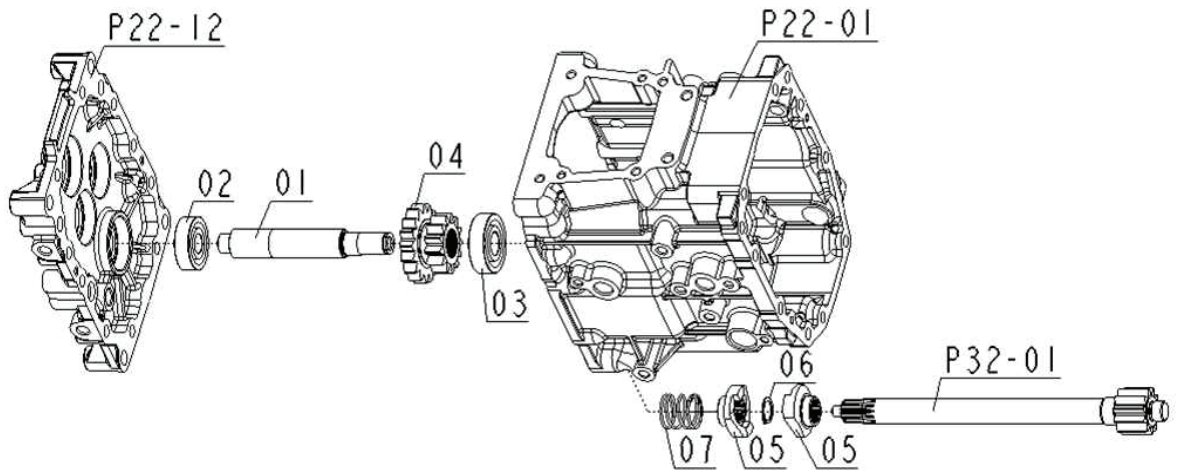
41. 2축 조합(2ND SHAFT)-HST





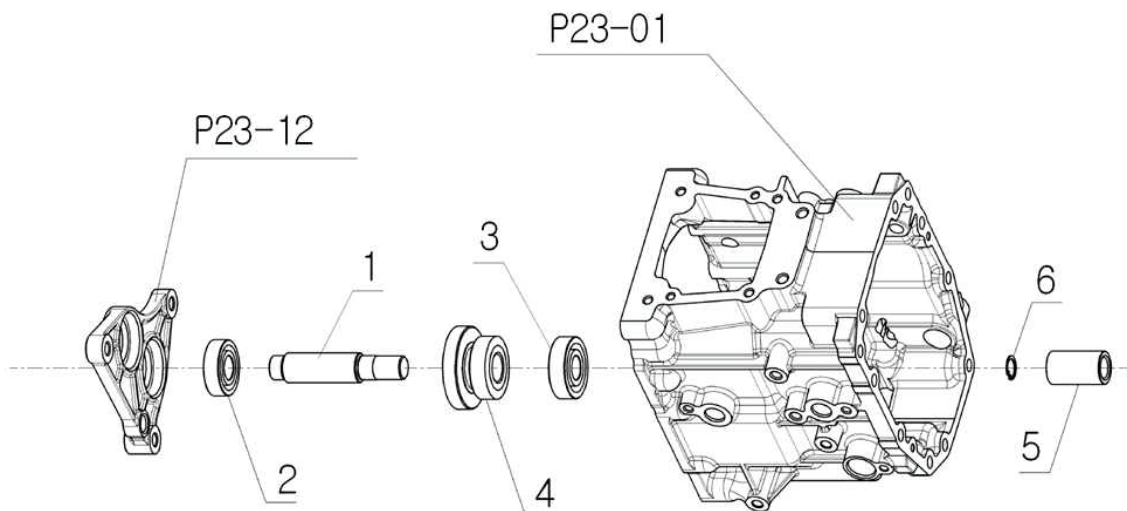
No.	Part No.	Part Name	(Q'ty)	SB22M	SB25 H	SB31 M	SB31H	Remarks
1	TA00002854A	GEAR-SHAFT	1		X		X	
2	RR21110000A3	BEARING, BALL	1		X		X	
3	TT72040000A4	BEARING, BALL	1		X		X	
4	TA00002884A	GEAR	1		X		X	
5	22242-000200	CIR CLIP, EXTERNAL	1		X		X	
6	TA00002958A	GEAR	1		X		X	
7	22242-000180	CIR CLIP, EXTERNAL	1		X		X	

42. (3RD.SHAFT)



No.	Part No.	Part Name	(Q'ty)	SB22M	SB25 H	SB31 M	SB31H	Remarks
1	FE46010000A	SHAFT	1	X		X		
2	24101-063034	BEARING, BALL	1	X		X		6303
3	24101-063044	BEARING, BALL	1	X		X		6304
4	FE46040000B	GEAR	1	X		X		
5	FE46050000A	CAM, ONE WAY CLUTCH	2	X		X		
6	22242-000190	CIR CLIP, EXTERNAL	1	X		X		
7	FE46070000A	SPRING	1	X		X		

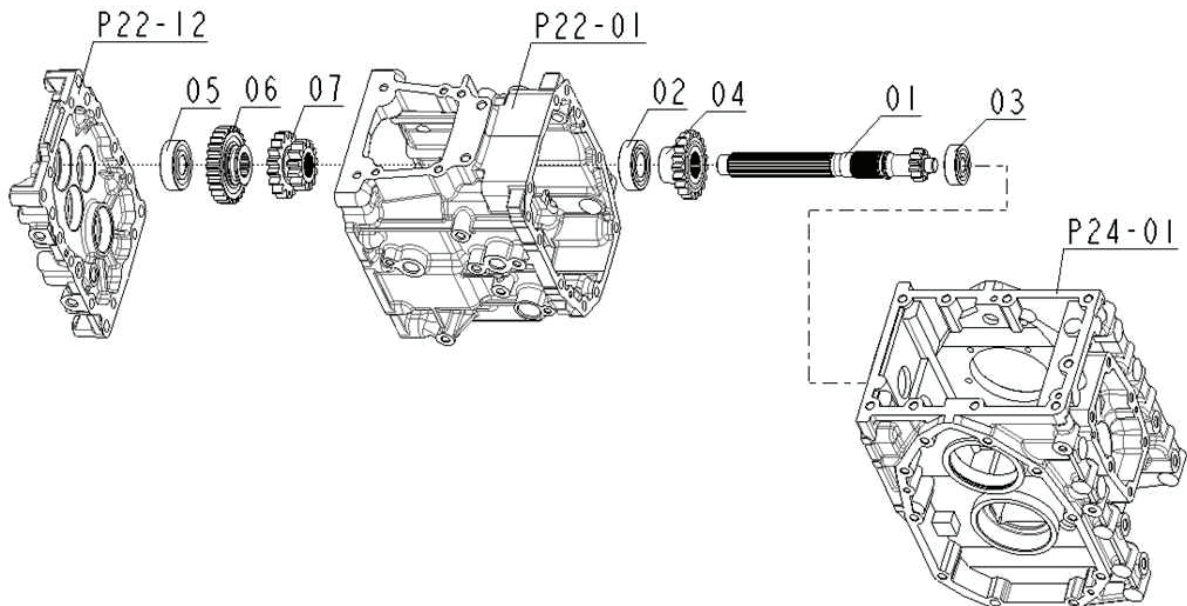
43. (3RD.SHAFT)-HST



No.	Part No.	Part Name	(Q'ty)	SB22M	SB25 H	SB31 M	SB31H	Remarks
-----	----------	-----------	--------	-------	-----------	-----------	-------	---------

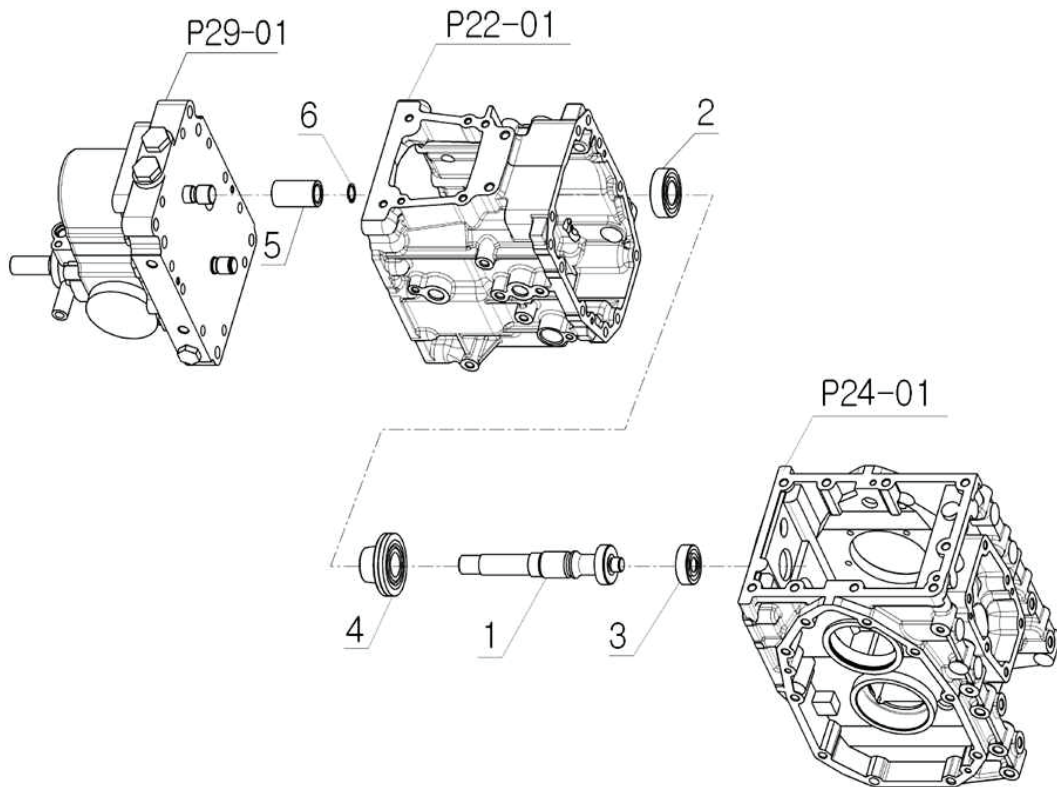
1	TA00002885A	SHAFT	1	X	X	
2	24101-062044	BEARING, BALL	1	X	X	6204
3	24101-063044	BEARING, BALL	1	X	X	6304
4	FE46040000B	GEAR	1	X	X	
5	TA00002852A	COUPLING	1	X	X	
6	22252-000180	CIR CLIP, INTERNAL	1	X	X	

44. (4TH. SHAFT)



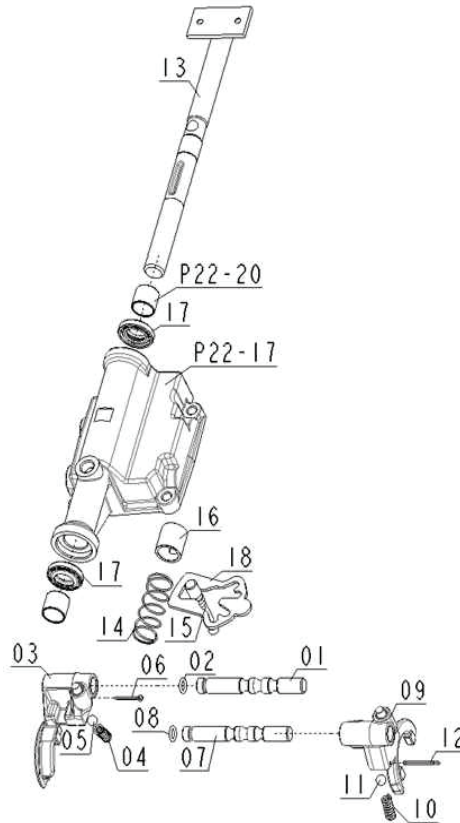
No.	Part No.	Part Name	(Q'ty)	SB22M	SB25 H	SB31 M	SB31H	Remarks
1	FE48010000A	GEAR-SHAFT	1	X		X		
2	24101-062054	BEARING, BALL	1	X		X		6205
3	TT72040000A4	BEARING, BALL	1	X		X		
4	TA00031466A	GEAR	1	X		X		
5	24101-063044	BEARING, BALL	1	X		X		6304
6	FE48060000B	GEAR	1	X		X		
7	FE48070000A	GEAR	1	X		X		

45. (4TH. SHAFT)-HST



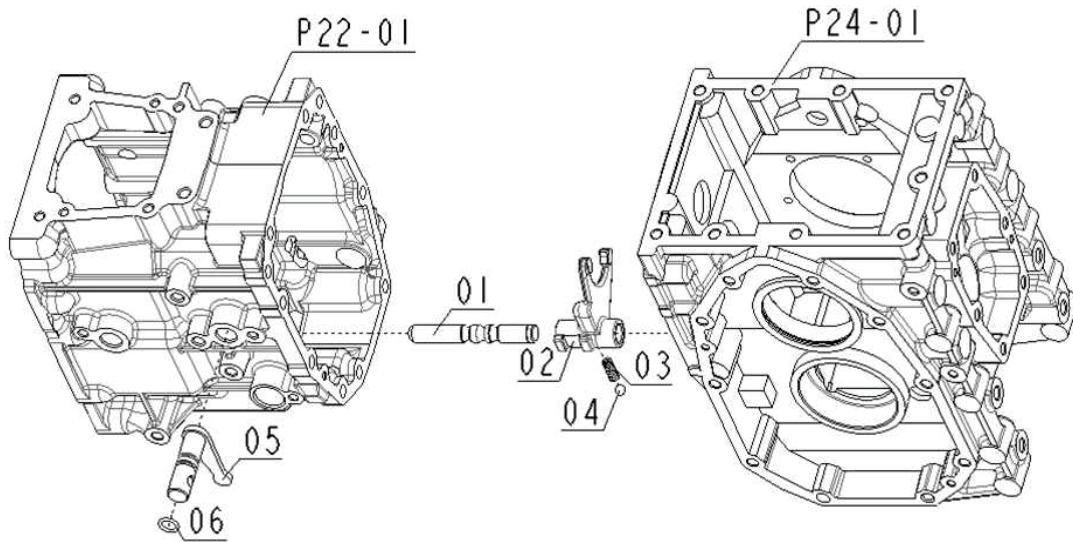
No.	Part No.	Part	Name	(Q'ty)	SB22M	SB25	SB31	SB31H	Remarks
						H	M		
1	TA00002955A		GEAR-SHAFT	1		X		X	
2	24101-062054		BEARING, BALL	1		X		X	6205
3	TT72040000A4		BEARING, BALL	1		X		X	
4	TA00031462A		GEAR	1		X		X	
5	TA00002852A		COUPLING	1		X		X	
6	22252-000180		CIR CLIP, INTERNAL	1		X		X	

46. (MAIN GEAR SHIFT FORK)



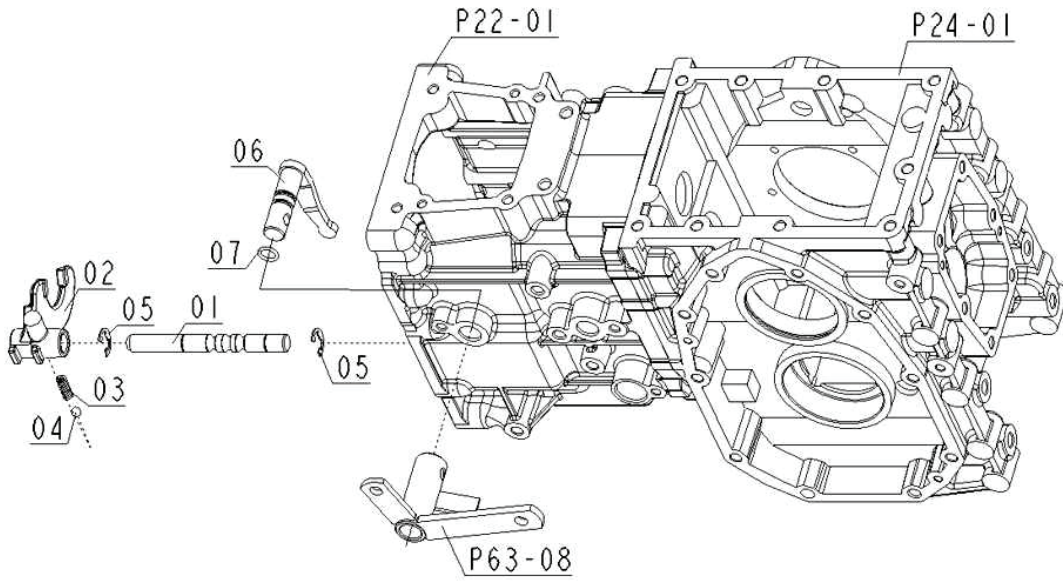
No.	Part No.	Part Name	(Q'ty)	SB22M	SB25 H	SB31 M	SB31H	Remarks
1	FE50010000A	ROD, FORK	1	X		X		
2	24311-240100	O RING	1	X		X		
3	FE50030000C	FORK, BACK SHIFT	1	X		X		
4	FE50040000A	SPRING, SHIFT FORK	1	X		X		
5	24190-120001	BALL	1	X		X		
6	22417-300220	COTTER PIN	1	X		X		
7	FE50010000A	ROD, FORK	1	X		X		
8	24311-240100	O RING	1	X		X		
9	FE50090000C	FORK, MAIN SHIFT	1	X		X		
10	FE50040000A	SPRING, SHIFT FORK	1	X		X		
11	24190-120001	BALL	1	X		X		
12	22417-300300	COTTER PIN	1	X		X		
13	FE50130000A	SHAFT, MAIN SHIFT ARM	1	X		X		
14	FE50140000A	SPRING	1	X		X		
15	FE50150000A	ARM, MAIN SHIFT	1	X		X		
16	FE50160000A	COLLAR	1	X		X		
17	FE50170000A	SEAL, OIL	2	X		X		
18	FE50180000A	PLATE, GUIDE	1	X		X		

47. (RANGE GEAR SHIFT FORK)



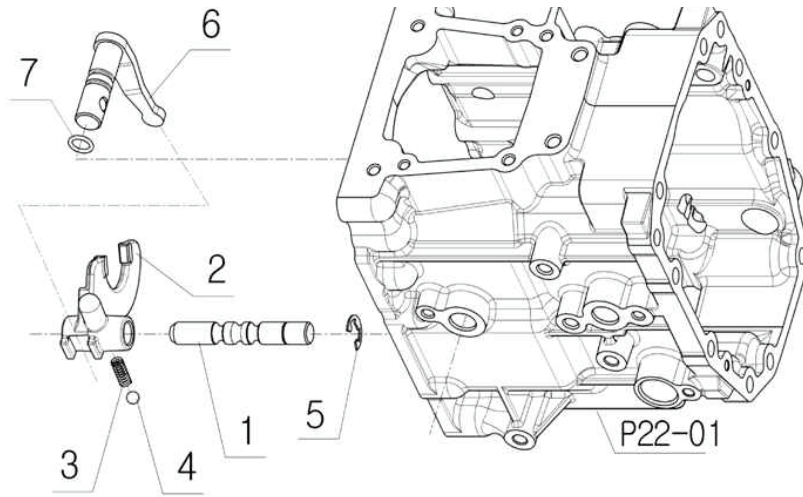
No.	Part No.	Part Name	(Q'ty)	SB22M	SB25 H	SB31 M	SB31H	Remarks
1	FE51010000A	ROD, FORK	1	X	X	X	X	
2	FE51020000C	FORK, RANGE SHIFT	1	X	X	X	X	
3	FE51030000B	SPRING, STOPPER	1	X	X	X	X	
4	24190-100001	BALL	1	X	X	X	X	
5	FE51050000B	ARM, RANGE SHIFT	1	X	X	X	X	
6	24311-000125	O RING	1	X	X	X	X	

48. (PTO GEAR SHIFT FORK)



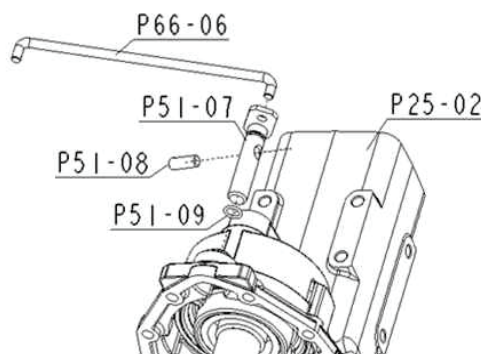
No.	Part No.	Part	Name	(Q'ty)	SB22M	SB25 H	SB31 M	SB31H	Remarks
1	FE53010000B		ROD, FORK	1	X		X		
2	FE53020000B		FORK, PTO SHIFT	1	X		X		
3	FE51030000B		SPRING	1	X		X		
4	24190-100001		BALL	1	X		X		
5	22272-000120		SNAP RING	2	X		X		
6	FE53060000A		ARM, PTO SHIFT	1	X		X		
7	24311-000125		O RING	1	X		X		

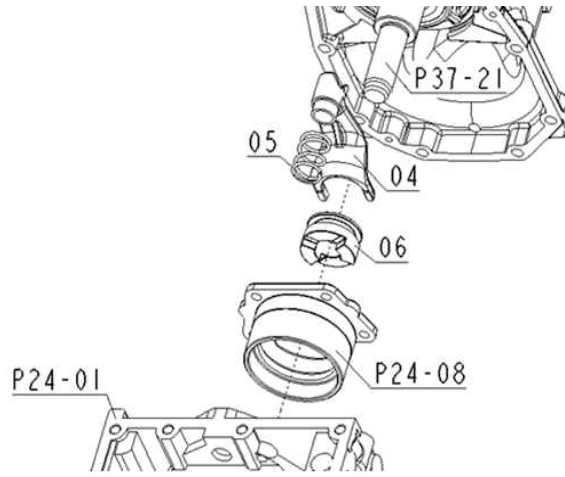
49. (PTO GEAR SHIFT FORK)-HST



No.	Part No.	Part Name	(Q'ty)	SB22M	SB25 H	SB31 M	SB31H	Remarks
1	TA00003066B	ROD, FORK	1		X		X	
2	FE53020000A	FORK, PTO SHIFT	1		X		X	
3	FE51030000B	SPRING, STOPPER	1		X		X	
4	24190-100001	BALL	1		X		X	
5	22272-000120	SNAP,RING	1		X		X	
6	FE53060000A	ARM, PTO SHIFT	1		X		X	
7	24311-000125	O RING	1		X		X	

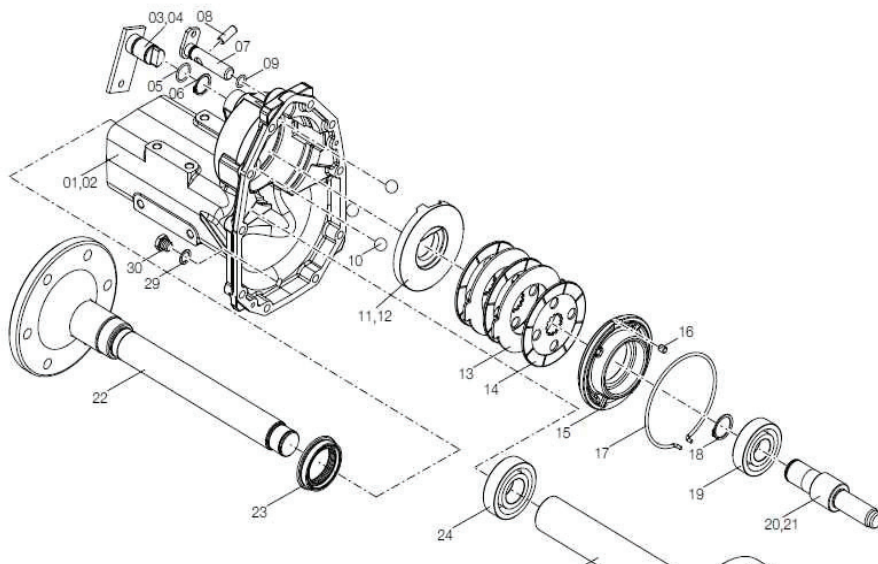
50. (DIFFERENTIAL LOCK SHIFT FORK)

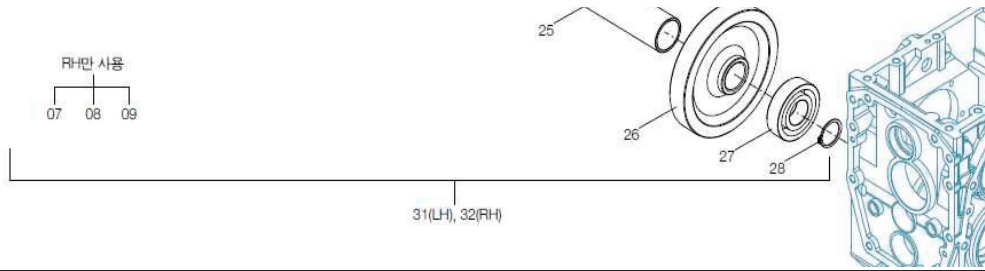




No.	Part No.	Part	Name	(Q'ty)	SB22M	SB25 H	SB31 M	SB31H	Remarks
4	FE55040000C		FORK, DIFF. LOCK SHIFT	1	X	X	X	X	
5	FE55050000A		SPRING	1	X	X	X	X	
6	FE55060000A		CLUTCH, DIFF. LOCK	1	X	X	X	X	

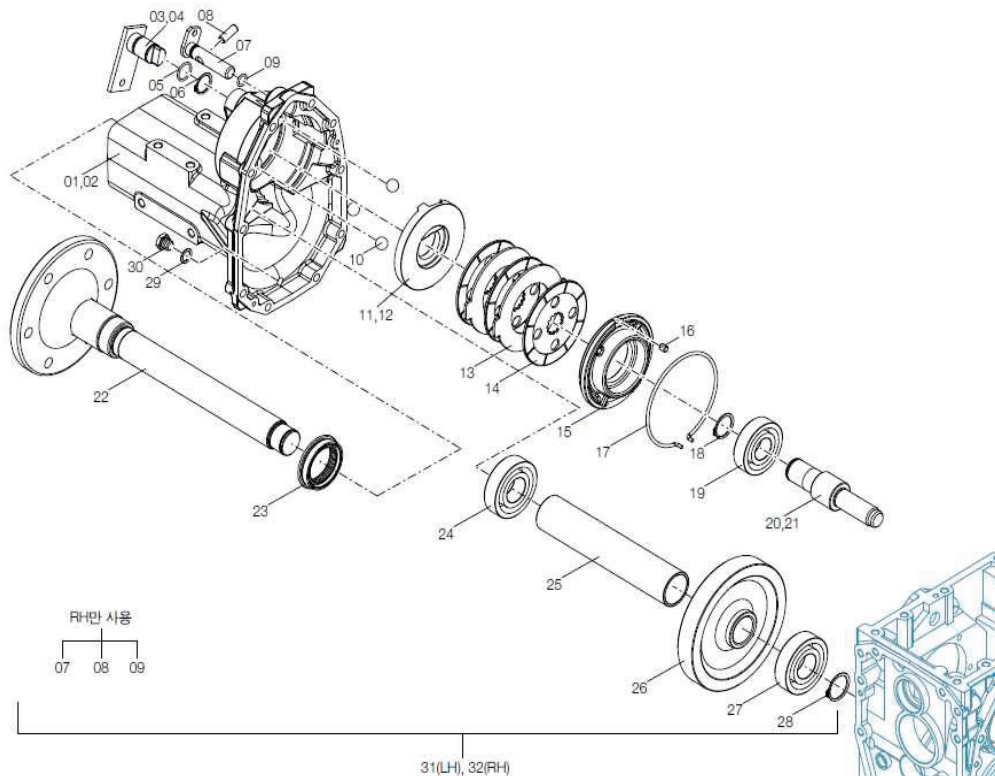
51. (REAR AXLE ASSY)





No.	Part No.	Part Name	(Q'ty)	SB22M	SB25	SB31	SB31H	Remarks
					H	M		
1	FE30010000A	CASE, AXLE LH	1	X	X	X	X	
2	FE30020000A	CASE, AXLE RH	1	X	X	X	X	
3	FE57010000A	LEVEL, CAM LH	1	X	X	X	X	
4	FE57020000A	LEVEL, CAM RH	1	X	X	X	X	
5	24311-000210	O RING	2	X	X	X	X	
6	22242-000250	CIR-CLIP	2	X	X	X	X	
7	FE55010000B	ROD, FORK	1	X	X	X	X	
8	22312-100250	PIN, STRAIGHT	1	X	X	X	X	
9	24311-000125	O RING	1	X	X	X	X	
10	24190-200001	BALL	6	X	X	X	X	
11	FE57060000A	ACTUATOR LH	1	X	X	X	X	
12	FE57070000A	ACTUATOR RH	1	X	X	X	X	
13	FE57080000A	DISK, BRAKE	6	X	X	X	X	
14	FE57090000A	PLATE	4	X	X	X	X	
15	FE57100000A	HOLDER, BEARING	2	X	X	X	X	
16	FE57110000A	PIN	2	X	X	X	X	
17	FE57120000A	CLIP	2	X	X	X	X	
18	22242-000300	CIR-CLIP	2	X	X	X	X	
19	24101-063064	BEARING, BALL	2	X	X	X	X	
20	FE41200000A	SHAFT, DIFF. GEAR LH	1	X	X	X	X	
21	FE41210000A	SHAFT, DIFF. GEAR RH	1	X	X	X	X	
22	FE56010000B	AXLE, REAR	2	X	X			
22	TA00039489B	AXLE, REAR	2			X	X	
23	FE56070000A	SEAL, OIL	2	X	X	X	X	
24	24101-063074	BEARING, BALL	2	X	X	X	X	
25	FE56050000A	COLLAR	2	X	X	X	X	
26	FE56040000A	GEAR	2	X	X	X	X	

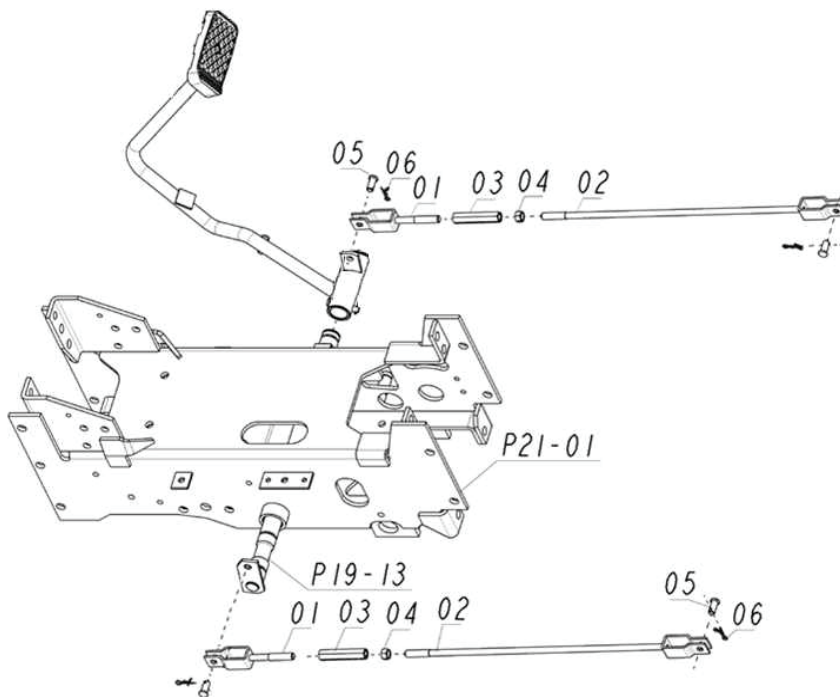
51. (REAR AXLE ASSY)





No.	Part No.	Part Name	(Q'ty)	SB22M	SB25 H	SB31 M	SB31H	Remarks
27	24101-062084	BEARING, BALL	2	X	X	X	X	
28	22242-000350	CIR CLIP, EXTERNAL	2	X	X	X	X	
29	23414-120000	PACKING	2	X	X	X	X	
30	23887-120002	PLUG	2	X	X	X	X	
31	TA00056813A	ASS'Y, REAR SHAFT	1	X	X			
31	TA00056815A	ASS'Y, REAR SHAFT	1			X	X	
32	TA00056814A	ASS'Y, REAR SHAFT	1	X	X			
32	TA00056816A	ASS'Y, REAR SHAFT	1			X	X	

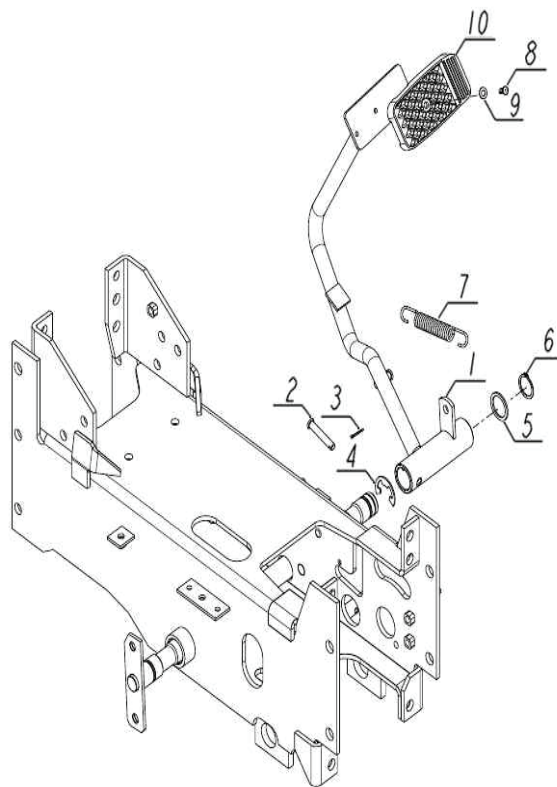
53. (BRAKE ROD)



No.	Part No.	Part Name	(Q'ty)	SB22M	SB25 H	SB31 M	SB31H	Remarks
1	FE59010000A	ROD, BRAKE FRONT	2	X	X	X	X	
2	FE59020000B	ROD, BRAKE REAR	2	X	X			
2	TA00039575A	ROD, BRAKE REAR	2			X	X	
3	TC73080300A4	TURNBUCKLE	2	X	X	X	X	

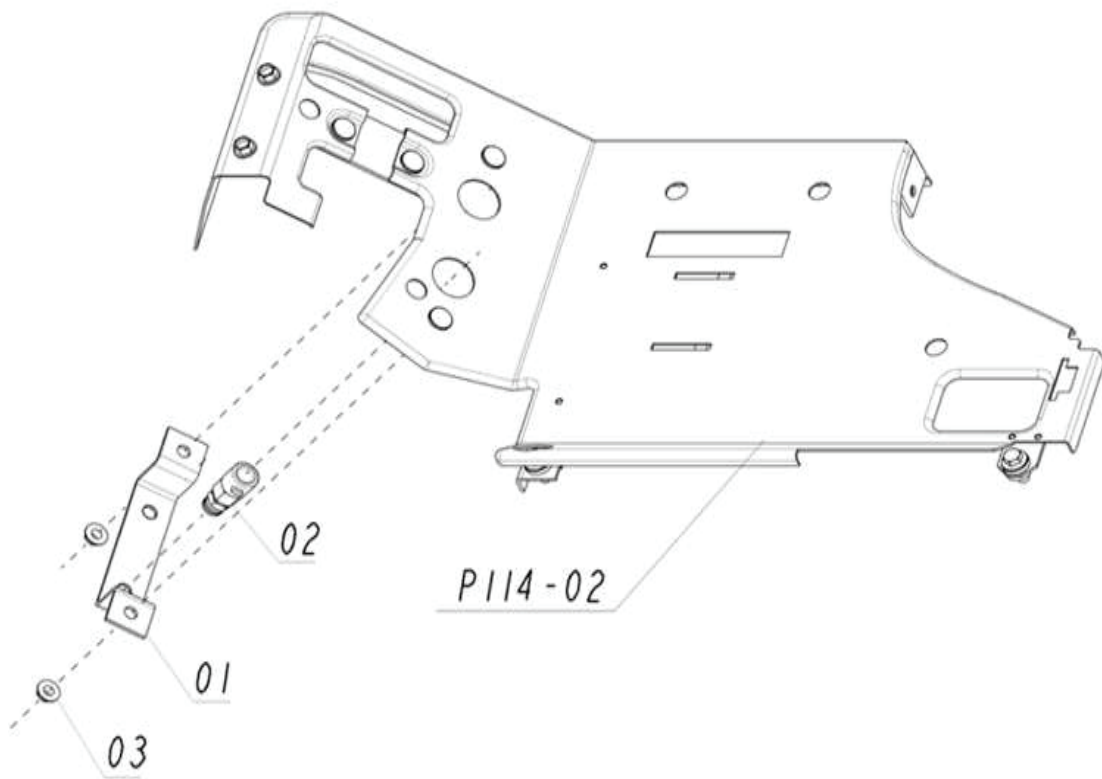
4	26716-100002	NUT	2	X	X	X	X	
5	TT83010000A4	PIN, FASTENER	4	X	X	X	X	
6	RR64050000A4	PIN, SNAP	4	X	X	X	X	

54. (BRAKE PEDAL)



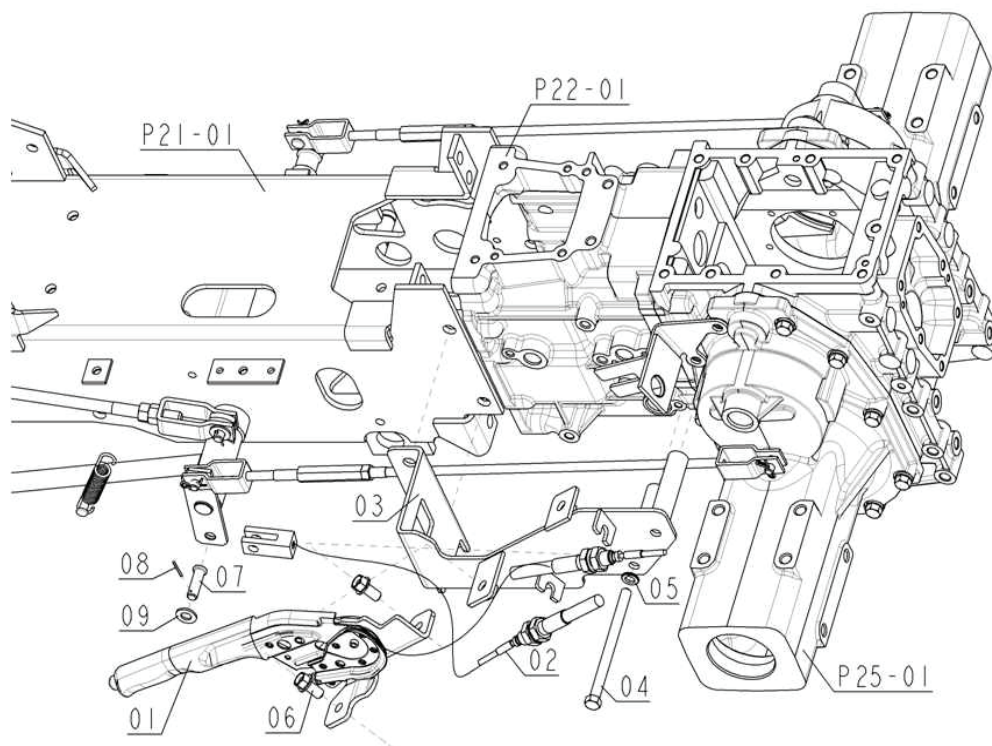
No.	Part No.	Part Name	(Q'ty)	SB22M	SB25 H	SB31 M	SB31H	Remarks
1	TA00051616B	PEDAL, BRAKE	1	X	X	X	X	
2	22487-080400	PIN, JOINT	1	X	X	X	X	
3	22417-200180	PIN, SPLIT	1	X	X	X	X	
4	22272-000190	RING	1	X	X	X	X	
5	FE71050000A	COLLAR	1	X	X	X	X	
6	22242-000240	CLIP	1	X	X	X	X	
7	FE23040000A	SPRING, BRAKE RETURN	1	X	X	X	X	
8	TC73030000A	REJET	1	X	X	X	X	
9	TC73040000A	WASHER	1	X	X	X	X	
10	TC73050000A	COVER, PEDAL	1	X	X	X	X	

55. (BRAKE SWITCH)



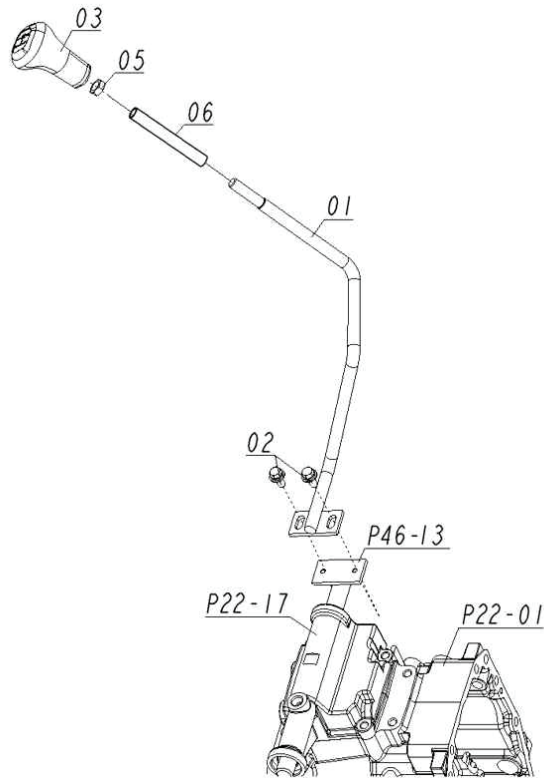
No.	Part No.	Part	Name	(Q'ty)	SB22M	SB25 H	SB31 M	SB31H	Remarks
1	TA00016905B		BRAKET SWITCH	1	X	X	X	X	
2	TZC5110000A3		SWITCH	1	X	X	X	X	
3	26366-080002		NUT	2	X	X	X	X	M8

56. (SIDE BRAKE)



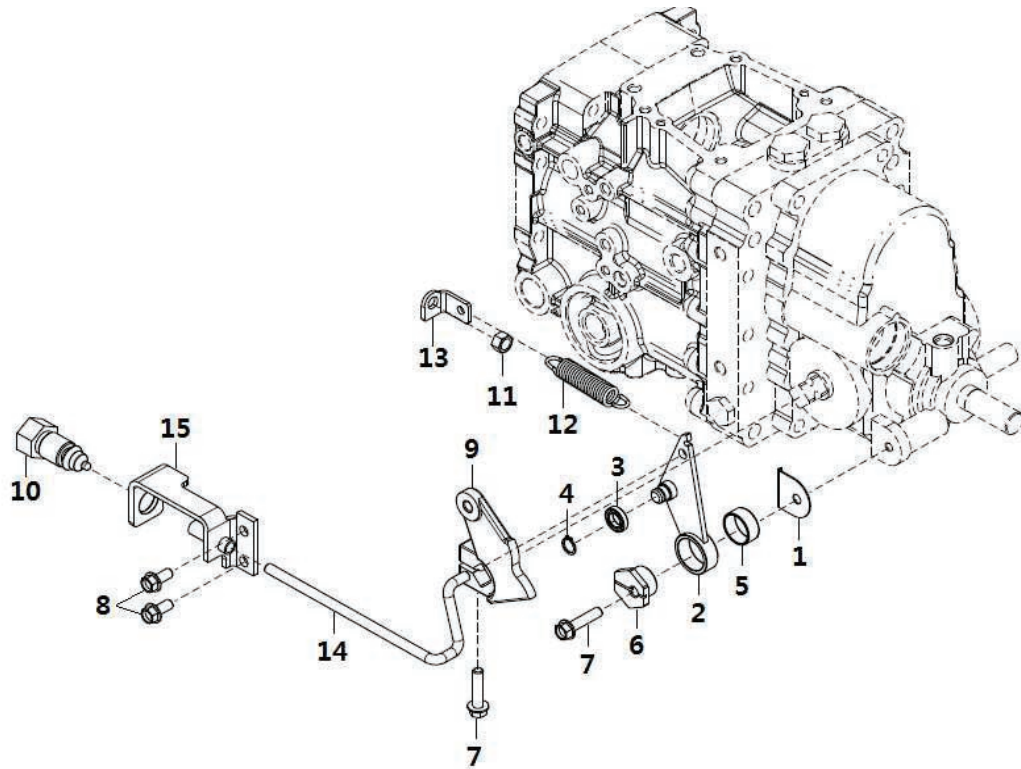
No.	Part No.	Part	Name	(Q'ty)	SB22M	SB25 H	SB31 M	SB31H	Remarks
1	TA00001403A		LEVER, PARKING	1	X	X	X	X	
2	TA00017080A		WIRE	1	X	X	X	X	
3	TA00016435F		BRACKET	1	X	X			
3	TA00039708D		BRACKET	1			X	X	
4	26116-101352		BOLT	2	X	X	X	X	M10X135
5	22217-100000		WASHER	2	X	X	X	X	
6	26106-100202		BOLT	2	X	X	X	X	M10X20
7	22486-100280		PIN, FASTENER	1	X	X	X	X	
8	22417-200160		COTTER PIN	1	X	X	X	X	
9	22127-100000		WASHER	1	X	X	X	X	

57. (MAIN GEAR SHIFT LEVER)



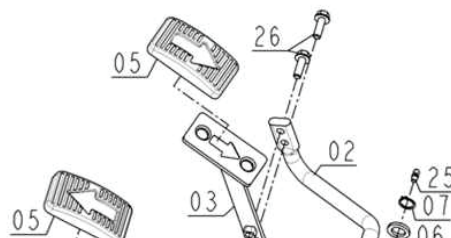
No.	Part No.	Part Name	(Q'ty)	SB22M	SB25	SB31	SB31H	Remarks
					H	M		
1	FE64010000B	LEVER, MAIN SHIFT	1	X				
1	TA00039971B	LEVER, MAIN SHIFT	1			X		
2	26014-080202	BOLT	2	X		X		
3	FE64030000A	GRIP, LEVER	1	X		X		
5	26756-120002	NUT	1	X		X		
6	TA00049177A	LEVER, HOSE	1	X		X		

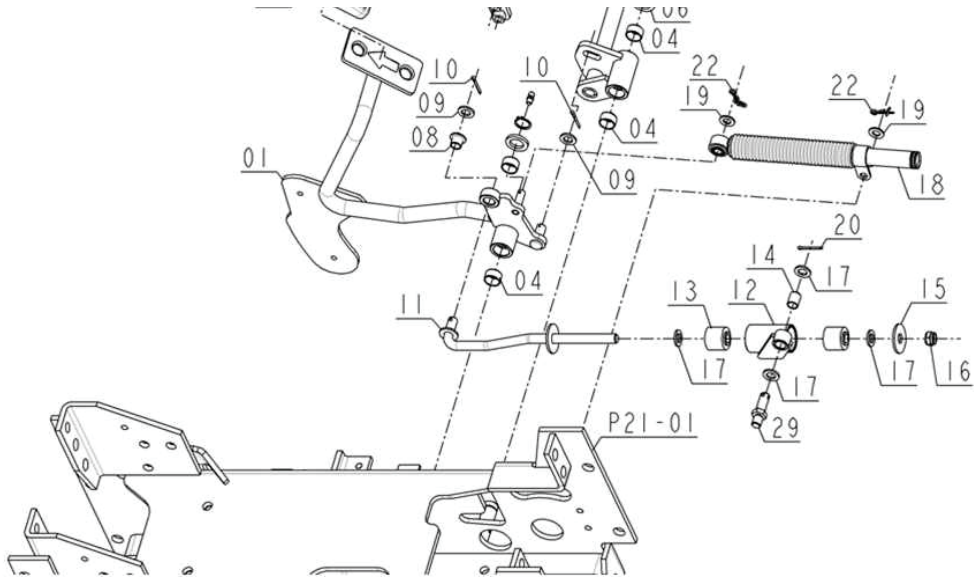
58. (NEUTRE HOLDER LINK) - HST



No.	Part No.	Part Name	(Q'ty)	SB22M	SB25 H	SB31 M	SB31H	Remarks
1	TA00017040A	SPACER	1		X		X	
2	TA00017044A	ASSY ARM, NEUTRAL	1		X		X	
3	24107-068014	BEARING, BALL	1		X		X	
4	22242-000120	CIR CLIP, EXTERNAL	1		X		X	
5	24550-025120	BUSH	1		X		X	
6	TA00017037A	SHAFT, HOLDER	1		X		X	
7	26106-080352	BOLT	2		X		X	M8X35
8	26106-080182	BOLT	2		X		X	M8X18
9	TA00017036B	HOLDER, NEUTRAL	1		X		X	
10	TZC5140000A3	SWITCH, SAFETY	1		X		X	
11	26712-100002	NUT	1		X		X	
12	TA00017073A	SPRING	1		X		X	
13	TA00044436A	BRACKET	1		X		X	
14	TA00017059B	ROD, HST NEUTRAL	1		X		X	
15	TA00017060C	STAY, NEUTRAL SWITH	1		X		X	

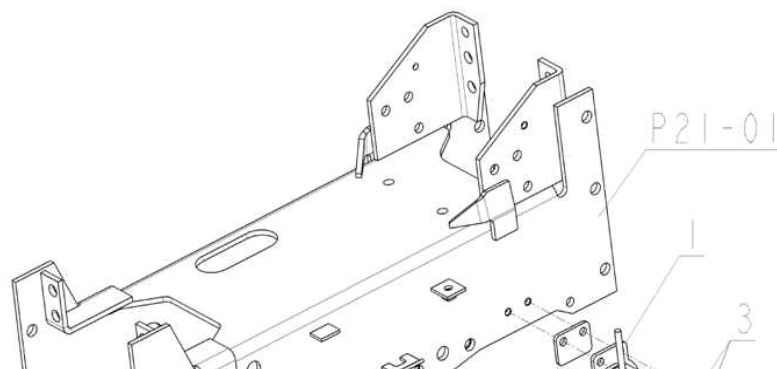
59. HST(F-R PEDAL)

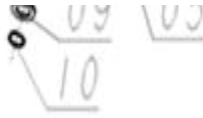




No.	Part No.	Part Name	(Q'ty)	SB22M		SB25		SB31		Remarks
						H	M			
1	TA00050637A	ASSY PEDAL, HST	1			X			X	
2	TA00050638A	ASSY PEDAL, HST	1			X			X	
3	TA00017364A	ASSY PEDAL, HST	1			X			X	
4	24550-016100	BUSH	4			X			X	
5	TA00001508A	COVER, PEDAL	2			X			X	
6	TA00017361A	WASHER	2			X			X	
7	22242-000160	CIR CLIP, EXTERNAL	2			X			X	
8	TA00017360A	BUSH	1			X			X	
9	22117-100000	WASHER, PLAIN	2			X			X	
10	22417-250220	COTTER PIN	2			X			X	
11	TA00017051A	ROD, A	1			X				
11	TA00039501A	ROD, A	1						X	
12	TA00017053A	ROD, B	1			X			X	
13	TA00017057A	CUSHION, ROBBER	2			X			X	
14	24550-010150	BUSH	1			X			X	
15	22157-100000	WASHER, PLAIN	1			X			X	
16	26346-100002	U NUT	1			X			X	
17	22117-100000	WASHER, PLAIN	4			X			X	
18	TA00017172A	DAMPER, HST	1			X			X	
19	22127-080000	WASHER, PLAIN	2			X			X	
20	22417-250220	COTTER PIN	1			X			X	
22	RR64050000A4	PIN, SNAP	2			X			X	
25	24764-060000	NIPPLE, GREASE	2			X			X	
26	26106-080252	BOLT	2			X			X	M8X25
29	TA00017038A	STUD, BOLT	1			X			X	

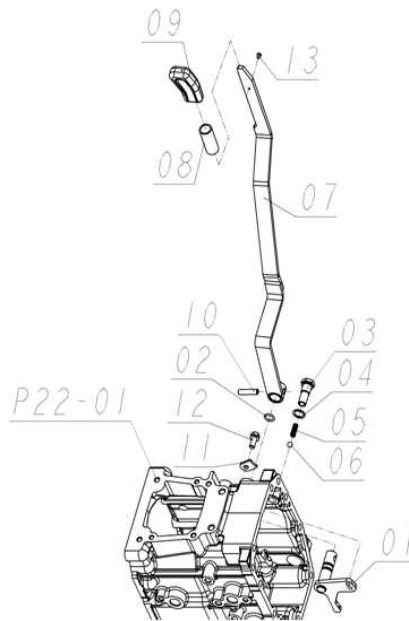
60. -HST(CRUSE LEVER)





No.	Part No.	Part	Name	(Q'ty)	SB22M	SB25 H	SB31 M	SB31H	Remarks
1	TA00054846A		LEVER, RANGE SHIFT	1	X	X			
1	TA00054847A		LEVER, RANGE SHIFT	1			X	X	
3	TA00017708A		GRIP, LEVER	1	X	X	X	X	
4	TA00016636A		HOSE	1	X	X	X	X	16X50
5	FE67050000B		LEVER, SHIFT ARM	1	X	X	X	X	
6	RN41050000A4		PLATE	1	X	X	X	X	
7	26013-080202		BOLT	1	X	X	X	X	
8	22351-080030		PIN, SPRING	1	X	X	X	X	M8X20
9	22117-180000		WASHER, PLAIN	1	X	X	X	X	
10	22242-000180		CIR CLIP, EXTERNAL	1	X	X	X	X	
11	26023-040102		SCREW	1	X	X	X	X	

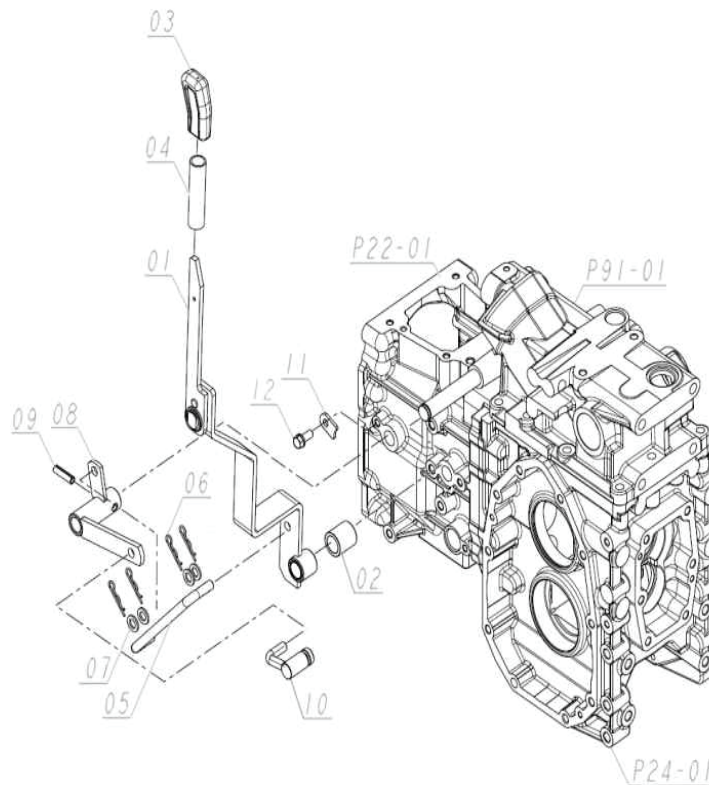
62. (FRONT WHEEL DRIVE LEVER)



No.	Part No.	Part	Name	(Q'ty)	SB22M	SB25 H	SB31 M	SB31H	Remarks
1	FE68010000A	4WD 변속암	ARM, 4WD SHIFT	1	X	X	X	X	

2	24311-000125	O RING	1	X	X	X	X	
3	FE68030000A	PLUG	1	X	X	X	X	
4	23414-140000	PACKING	1	X	X	X	X	
5	FE51030000B	SPRING	1	X	X	X	X	
6	24190-100001	BALL	1	X	X	X	X	
7	FE68070000D	LEVEL, 4WD CHANGE	1	X	X			
7	TA00039553B	LEVEL, 4WD CHANGE	1			X	X	
8	TA00016637A	HOSE	1	X	X	X	X	16X80
9	TA00017708A	GRIP, LEVER	1	X	X	X	X	
10	22351-080030	PIN, SPRING	1	X	X	X	X	
11	RN41050000A4	PLATE	1	X	X	X	X	
12	26013-080202	BOLT	1	X	X	X	X	M8X20
13	26023-040102	SCREW	1	X	X	X	X	

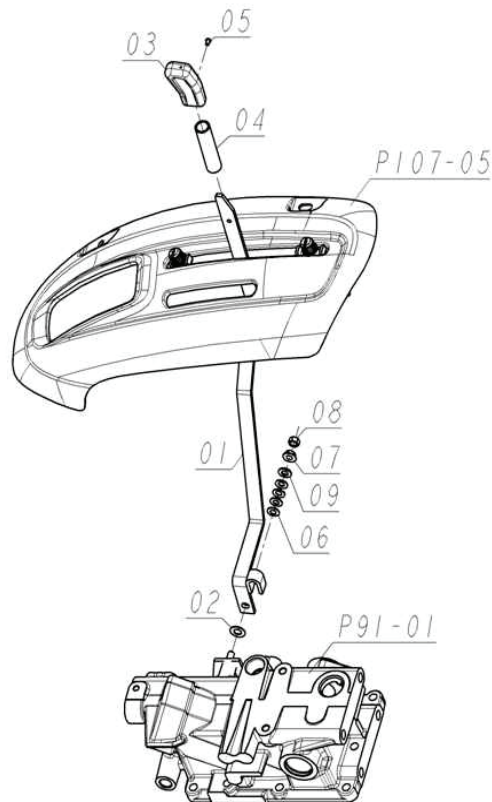
63. (PTO GEAR SHIFT LEVER)



No.	Part No.	Part Name	(Q'ty)	SB22M	SB25 H	SB31 M	SB31H	Remarks
1	TA00051666A	LEVER, PTO SHIFT	1	X	X			
1	TA00051641A	LEVER, PTO SHIFT	1			X	X	
2	FE69030000A	COLLAR	1	X	X	X	X	18x20x25
3	TA00017709A	GRIP, LEVER	1	X	X	X	X	
4	TA00053460A	HOSE	1	X	X	X	X	16X80
5	FE69060000B	ROD, PTO	1	X	X	X	X	
6	22360-100000	PIN, SNAP	4	X	X	X	X	
7	22117-100000	WASHER, PLAIN	4	X	X	X	X	
8	FE69080000C	LEVER, SHIFT ARM	1	X	X	X	X	

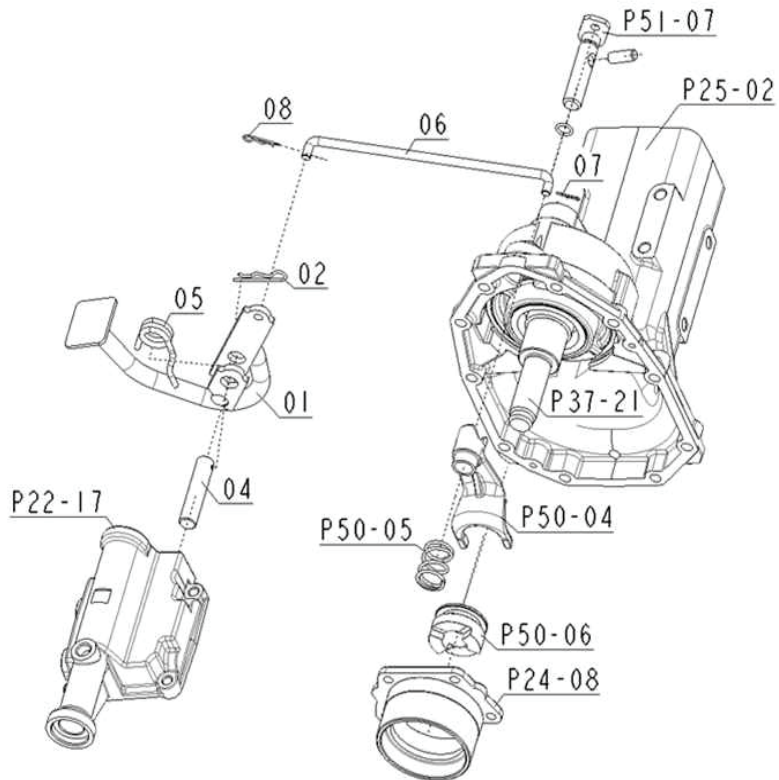
9	22351-080030	PIN, SPRING	1	X	X	X	X
10	FE69100000A	ROD, NEUTRAL SWITH	1	X	X	X	X
11	RN41050000A4	STAY, NEUTRAL SWITH	1	X	X	X	X
12	26013-100202	BOLT	1	X	X	X	X

65. (POSITION CONTROL LEVER)



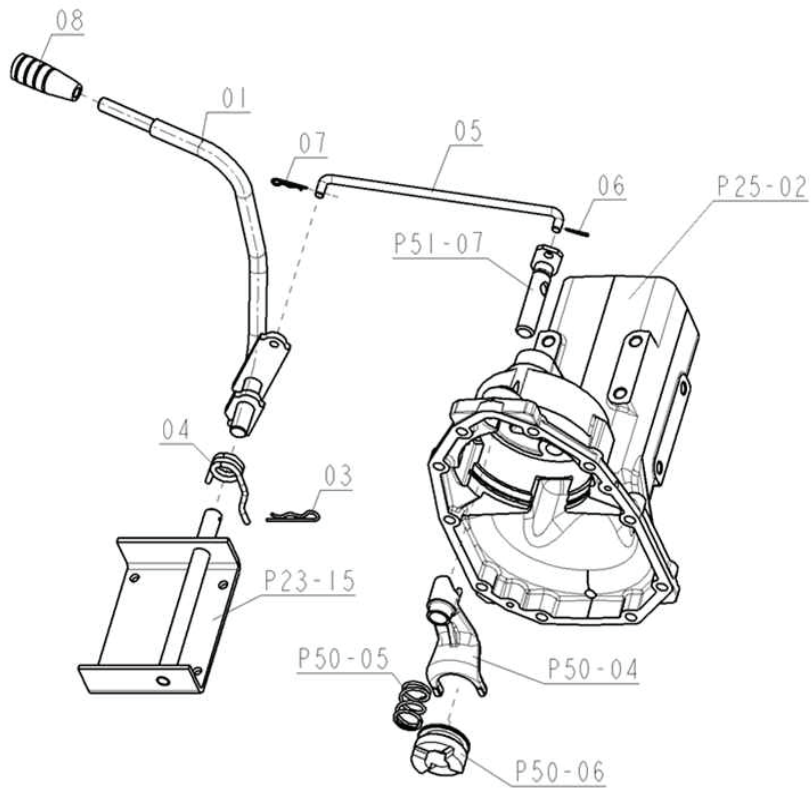
No.	Part No.	Part Name	(Q'ty)	SB22M	SB25 H	SB31 M	SB31H	Remarks
1	TA00019121B	LEVER, HYD. CONTROL	1	X	X			
1	TA00039555B	LEVER, HYD. CONTROL	1			X	X	
2	TA00019119A	WASHER	1	X	X	X	X	
3	TA00017710B	GRIP, LEVER	1	X	X	X	X	
4	TA00016637A	HOSE	1	X	X	X	X	16X80
5	26023-040102	SCREW	1	X	X	X	X	
6	RRD3060000A4	SPRING	4	X	X	X	X	
7	26366-080002	NUT	1	X	X	X	X	
8	26712-080002	NUT	1	X	X	X	X	
9	22127-080000	WASHER	1	X	X	X	X	

66. (DIFFERENTIAL LOCK PEDAL)



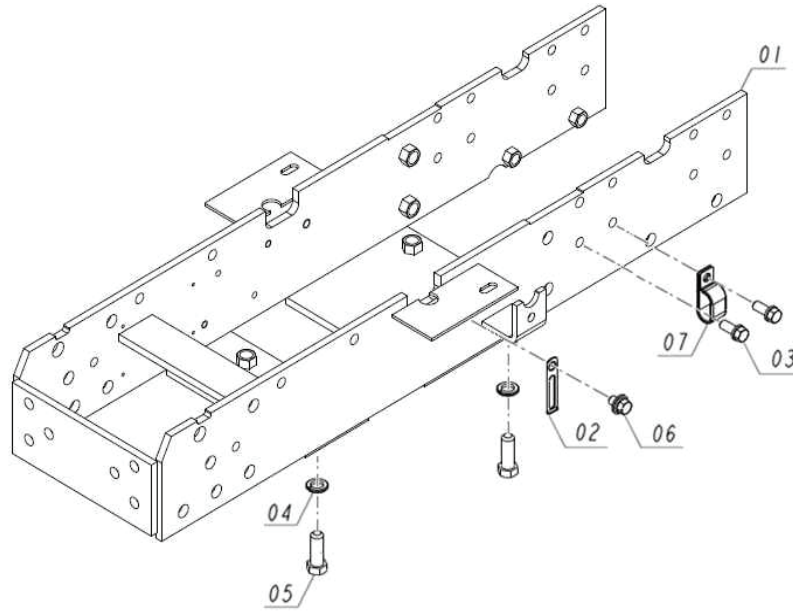
No.	Part No.	Part Name	(Q'ty)	SB22M	SB25	SB31	SB31H	Remarks
					H	M		
1	FE72010000B	PEDAL, DIFF. LOCK	1	X				
1	TA00041664B	PEDAL, DIFF. LOCK	1			X		
2	22360-160000	PIN, SNAP	1	X		X		
4	FE72040000A	SHAFT	1	X		X		
5	FE72050000B	SPRING	1	X		X		
6	FE72060000A	ROD, DIFF. LOCK	1	X		X		
7	22417-200160	COTTER PIN	1	X		X		
8	22360-080000	PIN, SNAP	1	X		X		

67. (DIFFERENTIAL LOCK LEVER) - HST



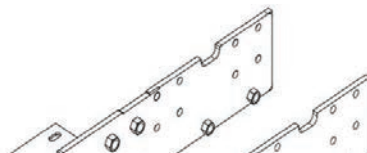
No.	Part No.	Part Name	(Q'ty)	SB22M	SB25 H	SB31 M	SB31H	Remarks
1	TA00027238B	Lever, DIFF. LOCK	1		X		X	
3	22360-160000	PIN, SNAP	1		X		X	
4	FE72050000B	SPRING	1		X		X	
5	FE72060000A	ROD, DIFF. LOCK	1		X		X	
6	22417-200160	COTTER PIN	1		X		X	
7	22360-080000	PIN, SNAP	1		X		X	
8	VD05460000A	GRIP	1		X		X	

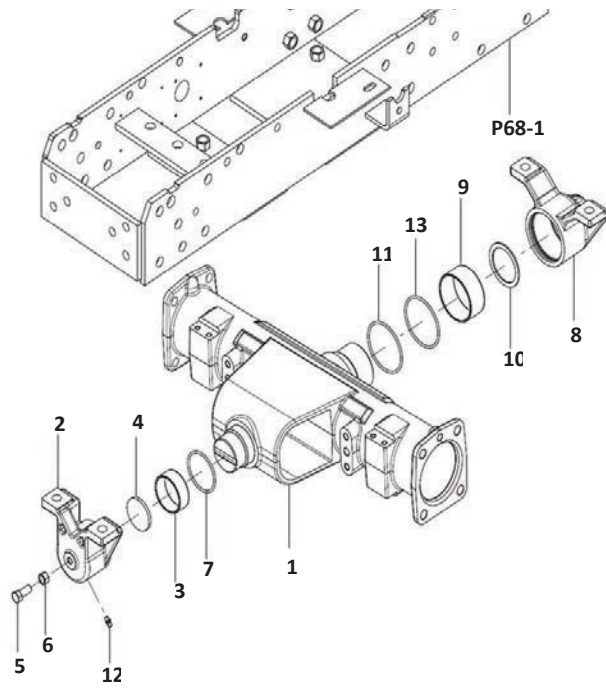
68. (FRONT AXLE FRAME)



No.	Part No.	Part	Name	(Q'ty)	SB22M	SB25 H	SB31 M	SB31H	Remarks
1	TA00053338C		COMP. FRAME, FRONT	1	X	X			
1	TA00053341C		COMP. FRAME, FRONT	1			X	X	
2	TCD5320000A4		CLAMP, CORD	1	X	X	X	X	
3	26013-100252		BOLT	16	X	X	X	X	M10X25
4	22217-140000		WASHER	4	X	X	X	X	
5	26116-140402		BOLT	4	X	X	X	X	M14X40
6	26014-100162		BOLT	1	X	X	X	X	M10X16
7	CA18080000A4		CLIP	1	X	X	X	X	

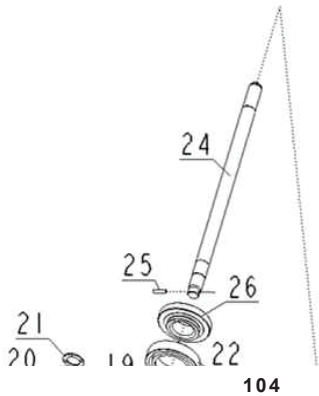
69. (FRONT AXLE CASE)

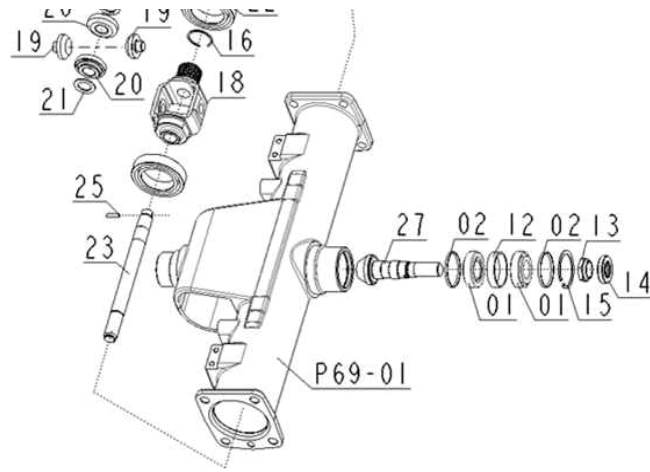




No.	Part No.	Part	Name	(Q'ty)	SB22M	SB25	SB31		Remarks
					H	M	SB31H		
1	FE76010000B		CASE, FRONT AXLE	1	X	X	X	X	
2	FE76040000B		ASSY HOLDER	1	X	X	X	X	
3	24550-050200		BUSH	1	X	X	X	X	
4	FE76060000A		COLLAR, THRUST	1	X	X	X	X	
5	26116-100252		BOLT	1	X	X	X	X	M10X25
6	26716-100002		NUT	1	X	X	X	X	M10
7	24321-000550		O RING	1	X	X	X	X	
8	FE76100000B		ASSY HOLDER	1	X	X	X	X	
9	24550-065300		BUSH	1	X	X	X	X	
10	FE76120000A		COLLAR, THRUST	1	X	X	X	X	
11	24321-000700		O RING	1	X	X	X	X	
12	24764-060000		NIPPLE	1	X	X	X	X	
13	24321-000650		O RING	1	X	X	X	X	

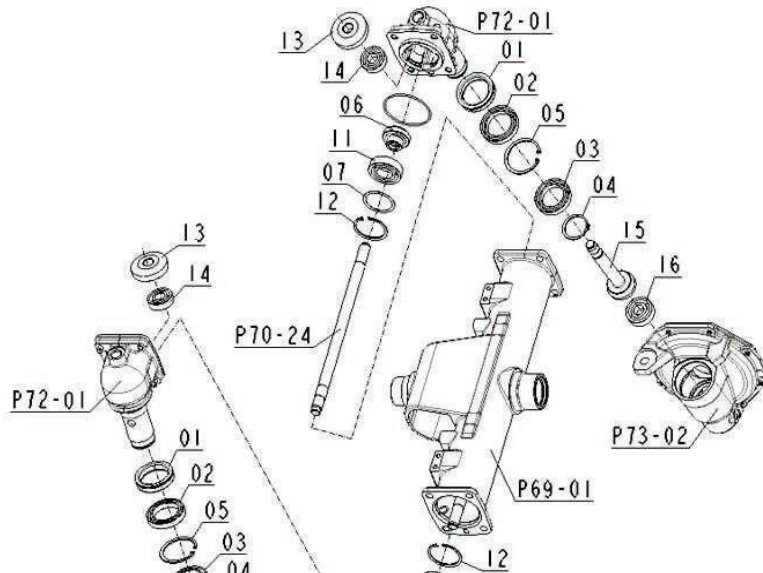
70. (FRONT DIFFERENTIAL)

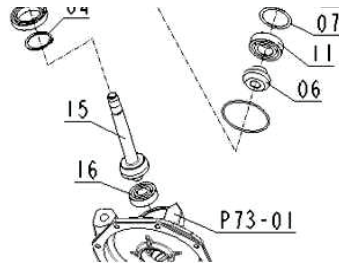




No.	Part No.	Part Name	(Q'ty)	SB22M	SB25 H	SB31 M	SB31H	Remarks
1	24142-302050	BEARING, TAPER-ROLLER	2	X	X	X	X	
2-1	FE77020000A	COLLAR	2	X	X	X	X	
2-2	FE77030000A	COLLAR	2	X	X	X	X	
2-3	FE77040000A	COLLAR	2	X	X	X	X	
2-4	FE77050000A	COLLAR	2	X	X	X	X	
2-5	FE77060000A	COLLAR	2	X	X	X	X	
2-6	FE77070000A	COLLAR	2	X	X	X	X	
2-7	FE77080000A	COLLAR	2	X	X	X	X	
2-8	FE77090000A	COLLAR	2	X	X	X	X	
2-9	FE77100000A	COLLAR	2	X	X	X	X	
2-10	FE77110000A	COLLAR	2	X	X	X	X	
12	FE77120000A	COLLAR	1	X	X	X	X	
13	FE77130000A	NUT	1	X	X	X	X	
14	FE77140000A	SEAL, OIL	1	X	X	X	X	
15	22252-000520	CIR CLIP, INTERNAL	1	X	X	X	X	
16	24164-000352	CIR CLIP, EXTERNAL	1	X	X	X	X	
18	FE77180000A	CASE, DIFF. FRONT	1	X	X	X	X	
19	FE77190000A	PINION, BEVEL GEAR	2	X	X	X	X	
20	FE77200000A	GEAR, BEVEL 14T	2	X	X	X	X	
21	FE77210000A	COLLAR	2	X	X	X	X	
22	24101-060104	BEARING, BALL	2	X	X	X	X	6010
23	FE77230000A	SHAFT, YOKE LH	1	X	X	X	X	
24	FE77240000A	SHAFT, YOKE RH	1	X	X	X	X	
25	22351-050020	PIN, SPRING	2	X	X	X	X	
26	FE77260200A	GEAR, BEVEL	1	X	X	X	X	
27	FE77260100A	GEAR, BEVEL	1	X	X	X	X	

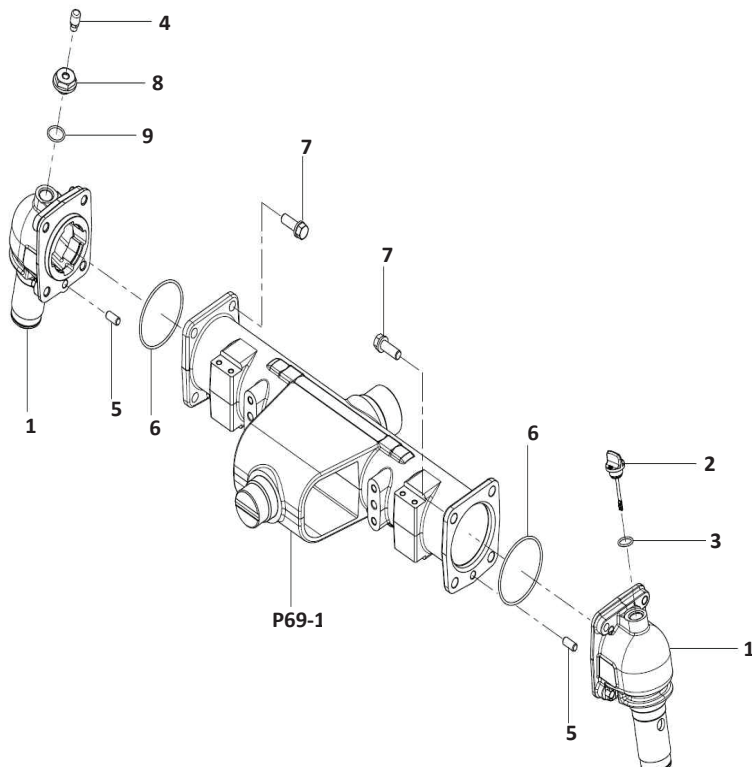
71. (DIFFERENTIAL GEAR SHAFT)





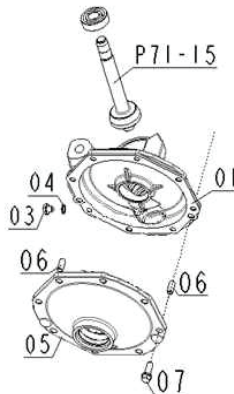
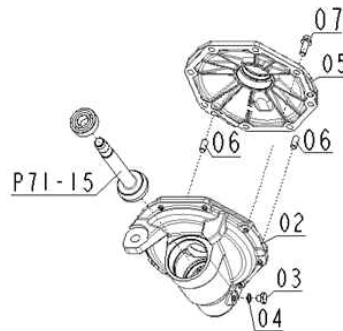
No.	Part No.	Part Name	(Q'ty)	SB22M	SB25	SB31	SB31H	Remarks
1	FE78010000B	SEAL, OIL	2	X	X	X	X	
2	24101-069104	BEARING, BALL	2	X	X	X	X	6910
3	24101-069094	BEARING, BALL	2	X	X	X	X	6909
4	22242-000450	CIR CLIP, EXTERNAL	2	X	X	X	X	
5	22252-000680	CIR CLIP, INTERNAL	2	X	X	X	X	
6	FE78060000A	GEAR, BEVEL F	2	X	X	X	X	
7-1	FE78070000A	SHIM	2	X	X	X	X	
7-2	FE78080000A	SHIM	2	X	X	X	X	
7-3	FE78090000A	SHIM	2	X	X	X	X	
7-4	FE78100000A	SHIM	2	X	X	X	X	
11	24101-062064	BEARING, BALL	2	X	X	X	X	
12	22252-000620	CIR CLIP, INTERNAL	2	X	X	X	X	
13	FE78130000A	GEAR, BEVEL F	2	X	X	X	X	
14	24101-062044	BEARING, BALL	2	X	X	X	X	
15	FE78150000A	SHAFT, BEVEL GEAR	2	X	X	X	X	
16	24101-063044	BEARING, BALL	2	X	X	X	X	

72. (BEVEL GEAR CASE)



No.	Part No.	Part	Name	(Q'ty)	SB22M	SB25 H	SB31 M	SB31H	Remarks
1	FE79010000B		CASE, BEVEL GEAR	2	X	X	X	X	
2	FE79020000B		GAGE, OIL	1	X	X	X	X	
3	24311-000180		O RING	1	X	X	X	X	
4	TA00049842A		AIR BREATHER(STEEL)	1	X	X	X	X	
5	22312-100200		PIN, STRAIGHT	2	X	X	X	X	
6	24321-000850		O RING	2	X	X	X	X	
7	26013-120352		BOLT	8	X	X	X	X	M12X35
8	TA00049843A		PLUG	1	X	X	X	X	
9	24311-000220		O RING	1	X	X	X	X	

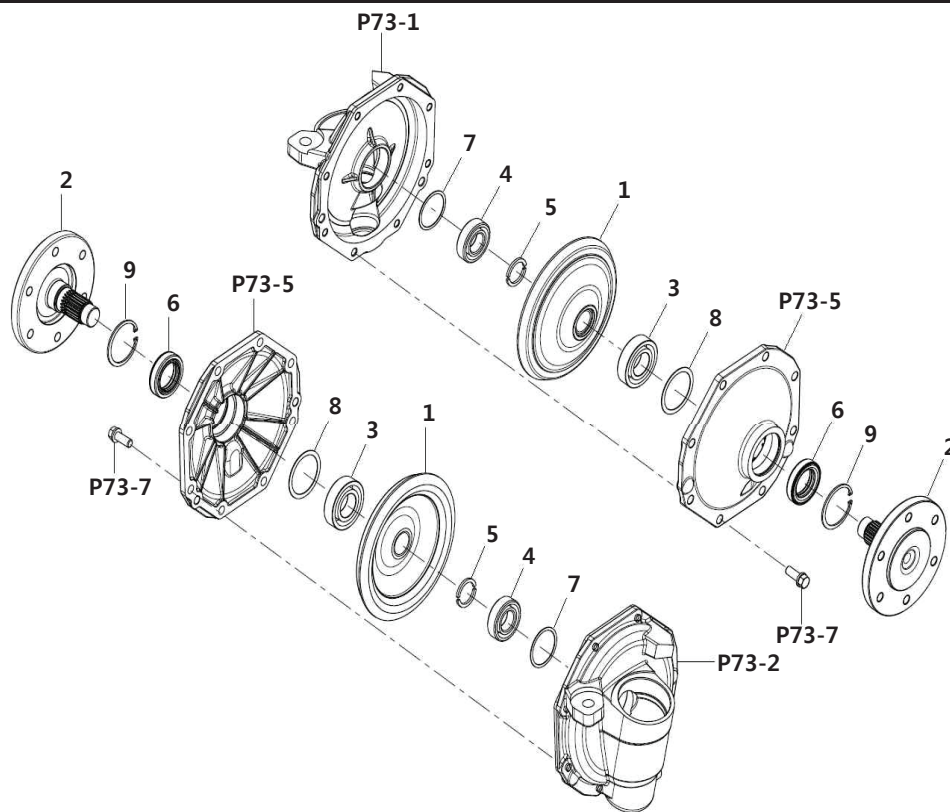
73. (FORNT AXLE CASE)



No.	Part No.	Part	Name	(Q'ty)	SB22M	SB25 H	SB31 M	SB31H	Remarks
1	FE80010000C		CASE, GEAR LH	1	X	X	X	X	
2	FE80020000C		CASE, GEAR RH	1	X	X	X	X	
3	23887-100002		PLUG	2	X	X	X	X	
4	23414-100000		PACKING	2	X	X	X	X	

5	FE80050000B	COVER, GEAR CASE	2	X	X	X	X
6	22312-100200	PIN, STRAIGHT	4	X	X	X	X
7	26013-100282	BOLT	16	X	X	X	X
							M10X28

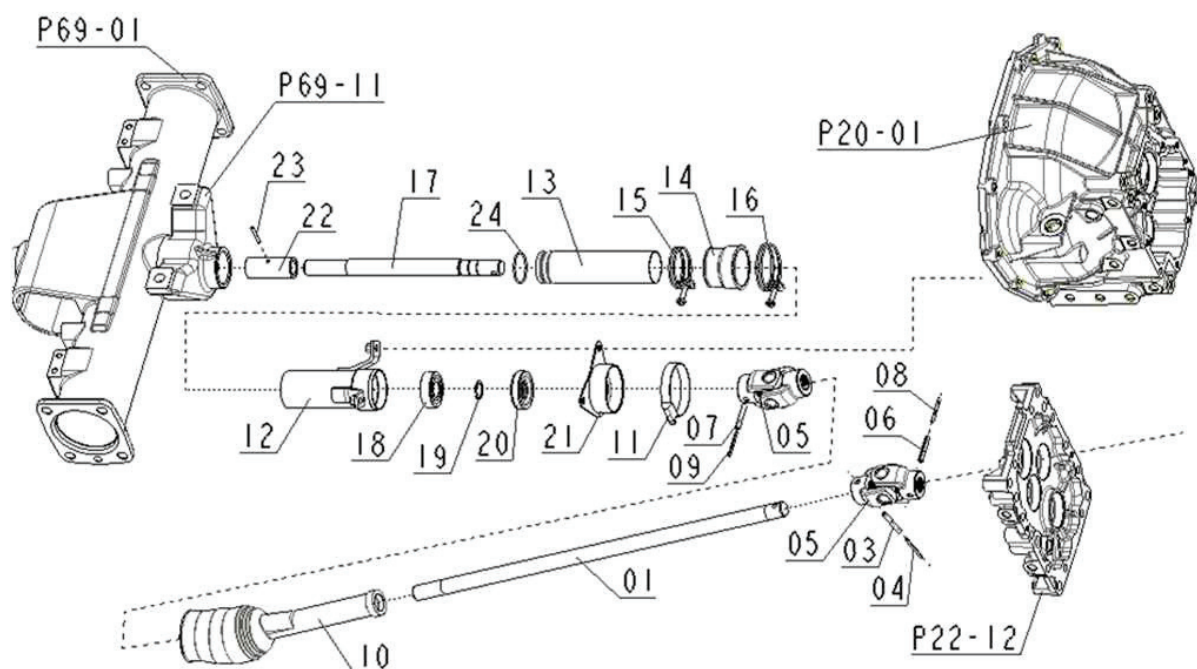
74. (FRONT AXLE)



No.	Part No.	Part Name	(Q'ty)	SB22M	SB25 H	SB31 M	SB31H	Remarks
1	FE81010000A	GEAR, BEVEL	2	X	X	X	X	
2	FE81020000B	ASSY SHAFT, F.AXLE	2	X	X			
2	TA00039488B	ASSY SHAFT, F.AXLE	2			X	X	
3	24101-062064	BEARING, BALL	2	X	X	X	X	6206
4	24101-062054	BEARING, BALL	2	X	X	X	X	6205
5	FE81060000A	COLLAR, SET	4	X	X	X	X	
6	FE81070000A	SEAL, OIL	2	X	X	X	X	
7-1	FE81080000A	SHIM	2	X	X	X	X	
7-2	FE81090000A	SHIM, SHAFT	2	X	X	X	X	
7-3	FE81100000A	SHIM	2	X	X	X	X	
8-1	FE78070000A	SHIM	2	X	X	X	X	
8-2	FE78080000A	SHIM	2	X	X	X	X	

8-3	FE78090000A	SHIM	2	X	X	X	X
8-4	FE78100000A	SHIM	2	X	X	X	X
9	22252-000550	SNAP RING	2	X	X	X	X

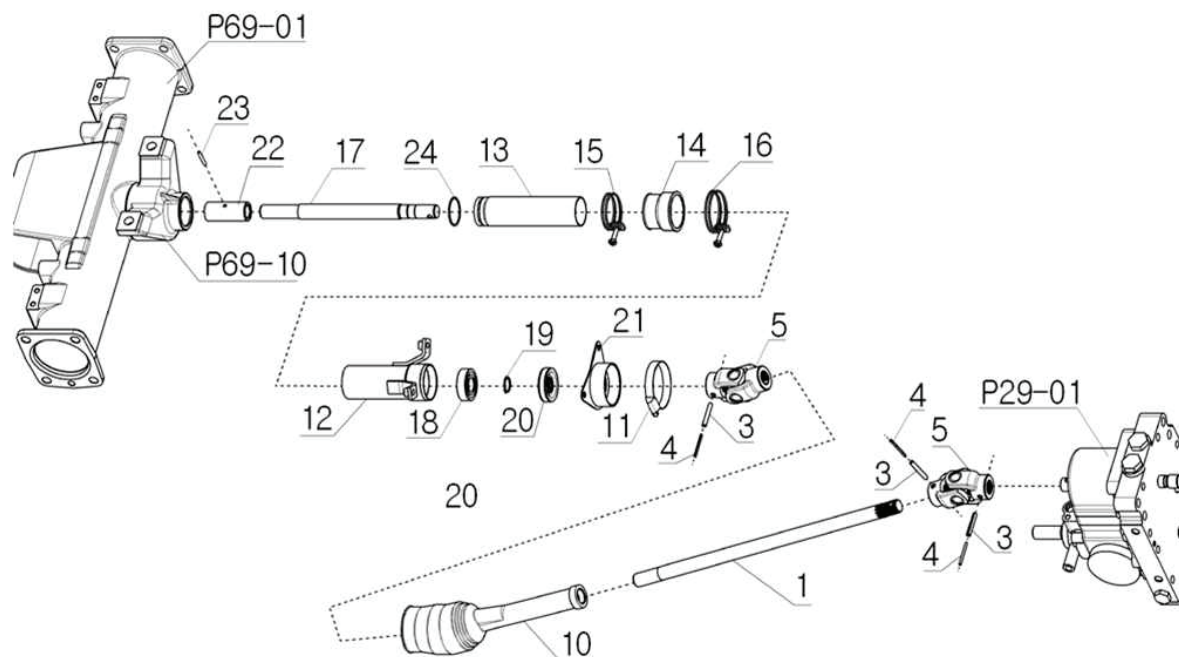
75. (FORNT DRIVE SHAFT)



No.	Part No.	Part Name	(Q'ty)	SB22M	SB25	SB31	SB31H	Remarks
					H	M		
1	FE82010000A	SHAFT, DRIVE	1	X				
1	TA00039976A	SHAFT, DRIVE	1			X		
3	22351-060040	PIN, SPRING	1	X		X		
4	22351-035040	PIN, SPRING	1	X		X		
5	FE82050000A	ASSY JOINT, UNIVERSAL	2	X		X		
6	22351-060040	PIN, SPRING	1	X		X		
7	22351-060040	PIN, SPRING	1	X		X		
8	22351-035040	PIN, SPRING	1	X		X		
9	22351-035040	PIN, SPRING	1	X		X		
10	FE82100000A	COVER	1	X		X		
11	23000-070000	CLAMP, HOSE	1	X		X		
12	FE82120000B	COVER, FRONT SHAFT A	1	X		X		
13	TA00041304A	COVER, FRONT SHAFT B	1	X				
13	TA00041305A	COVER, FRONT SHAFT B	1			X		
14	FE82140000A	COVER, FRONT SHAFT C	1	X		X		
15	23010-050000	BAND, HOSE	1	X		X		
16	23010-058000	BAND, HOSE	1	X		X		
17	FE82170000A	SHAFT, FRONT DRIVE	1	X				
17	TA00039500A	SHAFT, FRONT DRIVE	1			X		
18	24101-062044	BEARING, BALL	1	X		X		6204

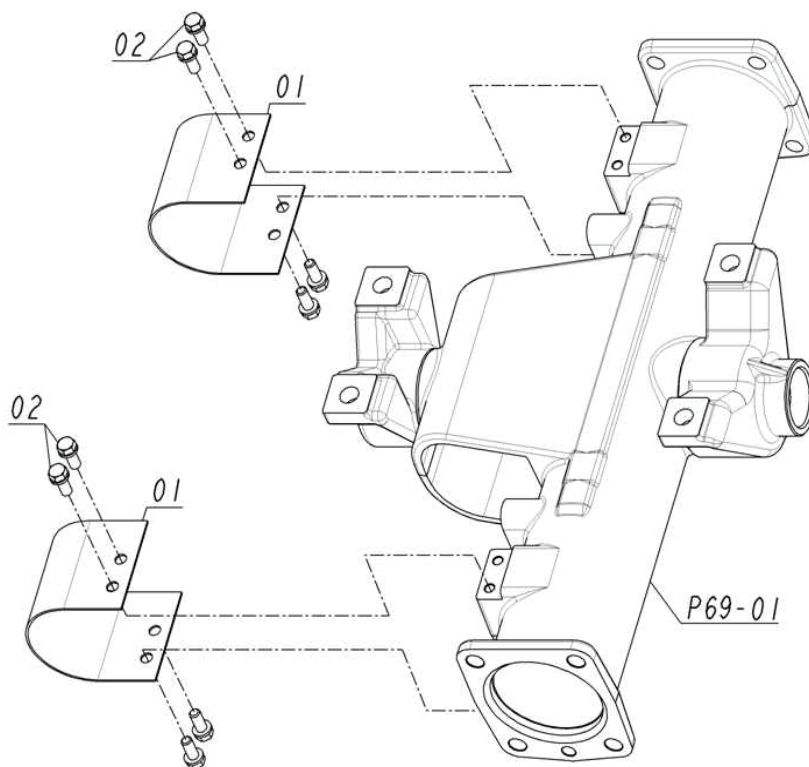
19	22242-000200	CIR CLIP, EXTERNAL	1	X	X
20	FE82200000A	SEAL, OIL	1	X	X
21	FE82210000A	SUPPORT	1	X	X
22	FE82220000A	COUPLING	1	X	X
23	22351-040030	PIN, SPRING	1	X	X
24	24341-000390	O RING	1	X	X

76. (FORNT DRIVE SHAFT) - HST



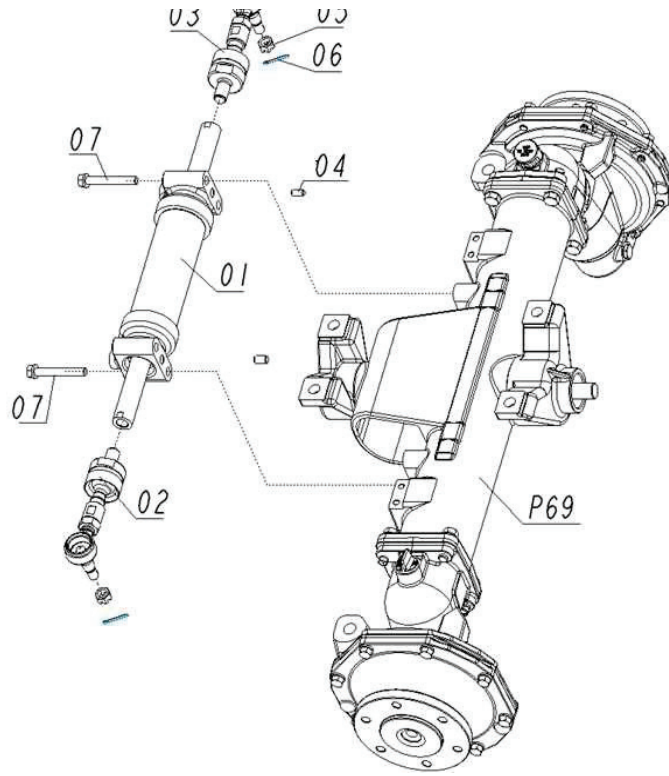
No.	Part No.	Part Name	(Q'ty)	SB22M	SB25 H	SB31 M	SB31H	Remarks
1	TA00002882A	SHAFT, DRIVE REAR	1		X			
1	TA00039582A	SHAFT, DRIVE REAR	1				X	
3	22351-060040	PIN, SPRING	3		X		X	
4	22351-035040	PIN, SPRING	3		X		X	
5	FE82050000A	ASSY JOINT, UNIVERSAL	2		X		X	
10	FE82100000A	COVER	1		X		X	
11	23000-070000	CLAMP	1		X		X	
12	FE82120000B	COVER, FRONT SHAFT A	1		X		X	
13	TA00041304A	COVER, FRONT SHAFT B	1		X			
13	TA00041305A	COVER, FRONT SHAFT B	1				X	
14	FE82140000A	COVER, FRONT SHAFT C	1		X		X	
15	23010-050000	BAND	1		X		X	
16	23010-058000	BAND	1		X		X	
17	FE82170000A	SHAFT, FRONT DRIVE	1		X			
17	TA00039500A	SHAFT, FRONT DRIVE	1				X	
18	24101-062044	BEARING, BALL	1		X		X	6204
19	22242-000200	CIR CLIP, EXTERNAL	1		X		X	
20	FE82200000A	SEAL, OIL	1		X		X	
21	FE82210000A	SUPPORT	1		X		X	
22	FE82220000A	COUPLING	1		X		X	
23	22351-040030	PIN, SPRING	1		X		X	
24	24341-000390	O RING	1		X		X	

77. (PST COVER)



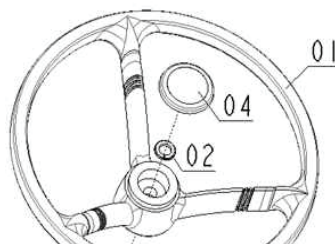
No.	Part No.	Part Name	(Q'ty)	SB22M	SB25 H	SB31 M	SB31H	Remarks
1	FE86040000A	COVER, TIE ROD	2	X	X	X	X	
2	26013-080202	BOLT	8	X	X	X	X	M8X20

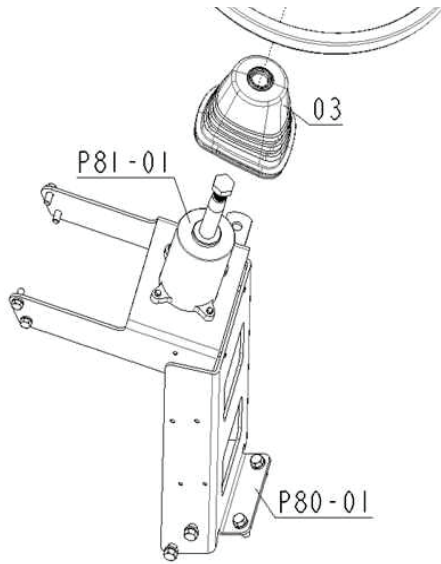
78. (TIE ROD)



No.	Part No.	Part Name	(Q'ty)	SB22M	SB25	SB31	SB31H	Remarks
				H	M			
1	FE86010000B	PST CYLINDER	1	X	X	X	X	
2	FE86020000B	TIE ROD L ASS'Y	1	X	X	X	X	
3	FE86030000B	TIE ROD R ASS'Y	1	X	X	X	X	
4	22312-100140	PIN STRAIGHT	2	X	X	X	X	
5	26877-120002	NUT	2	X	X	X	X	
6	22417-300250	COTTER PIN	2	X	X	X	X	
7	26013-100702	BOLT	4	X	X	X	X	M10X70

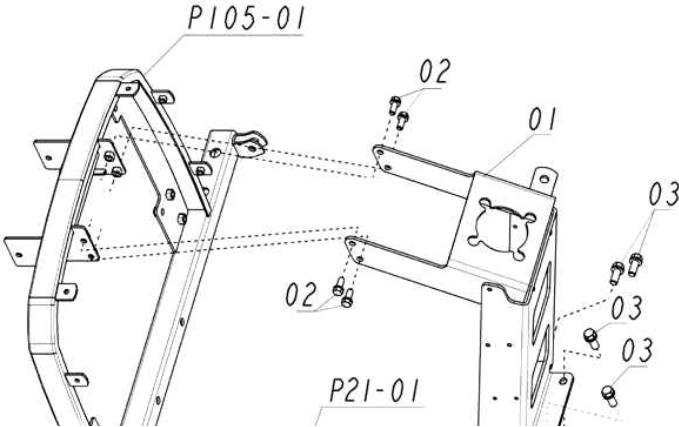
79. (STEERING HANDLE)

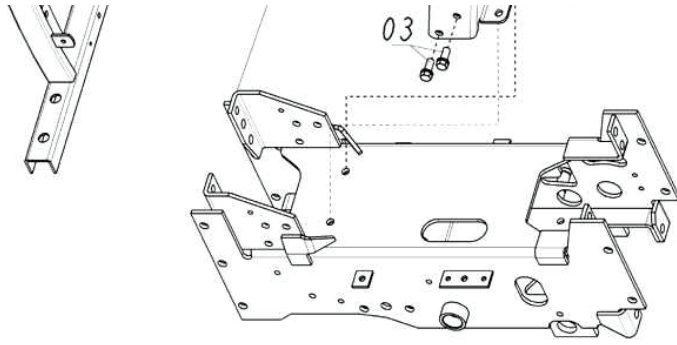




No.	Part No.	Part Name	(Q'ty)	SB22M	SB25 H	SB31 M	SB31H	Remarks
1	TZ29030000A1	WHEEL, STEERING	1	X	X	X	X	
2	22217-160000	WASHER, SPRING	1	X	X	X	X	
3	FE87030000A	BOOT, STEERING	1	X	X	X	X	
4	TA00037875A	CAP, STEERING	1	X	X	X	X	

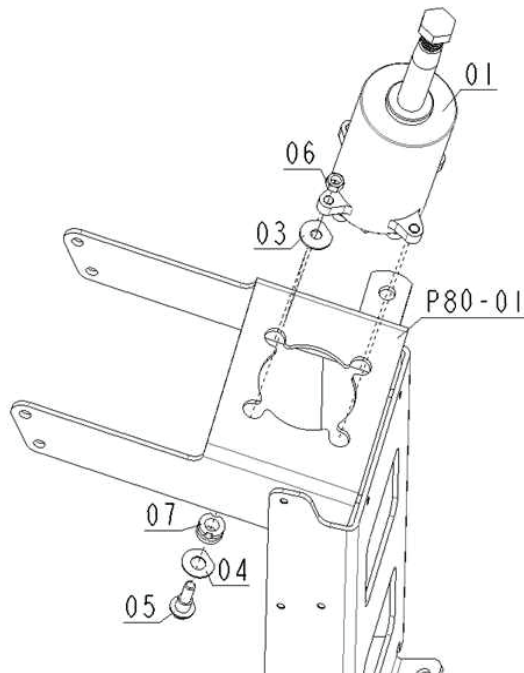
80. (STEERING POST)

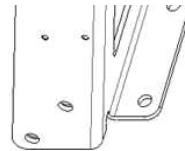




No.	Part No.	Part Name	(Q'ty)	SB22M	SB25 H	SB31 M	SB31H	Remarks
1	FE88010000D	SPRING	1	X	X	X	X	
2	26013-080202	BOLT	4	X	X	X	X	M8X20
3	26106-100252	BOLT	6	X	X	X	X	M10X25

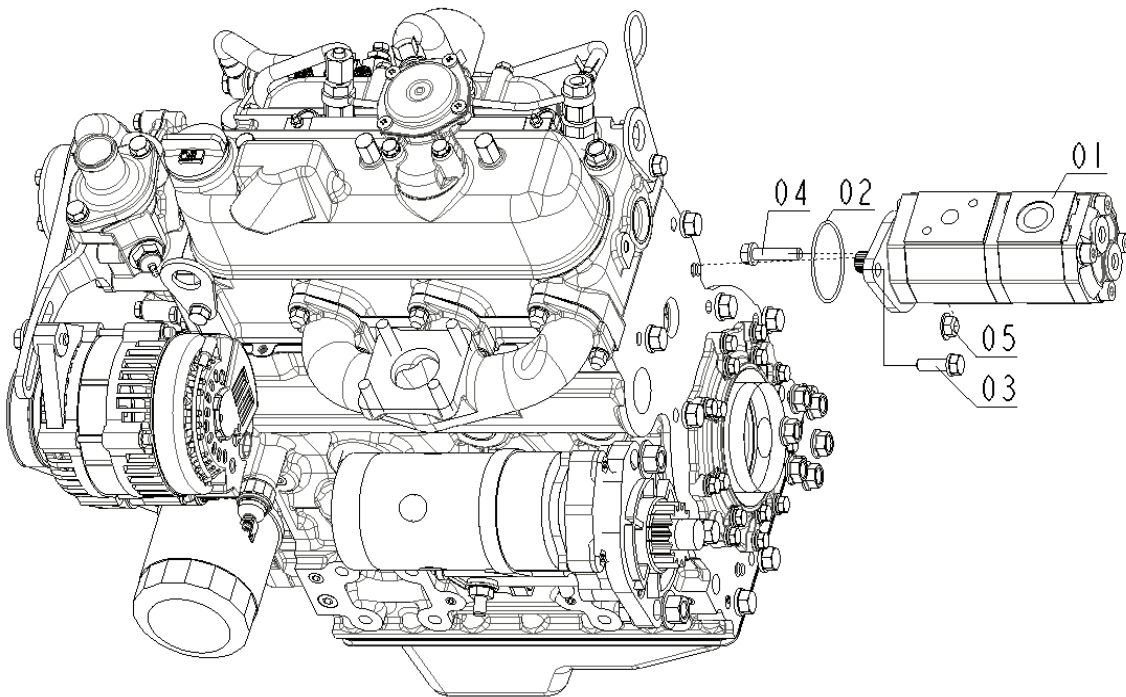
81. PST UNIT (HYDRAULIC STEERING VALVE)





No.	Part No.	Part Name	(Q'ty)	SB22M	SB25 H	SB31 M	SB31H	Remarks
1	FE89010000A	ASSY STEERING, POWER	1	X	X	X	X	
3	TA00016425A	WASHER	4	X	X	X	X	
4	TA00016426A	WASHER	4	X	X	X	X	
5	TA00016566A	BOLT	4	X	X	X	X	
6	26716-080002	NUT	4	X	X	X	X	M8
7	FEB6050000A	CUSHION	4	X	X	X	X	

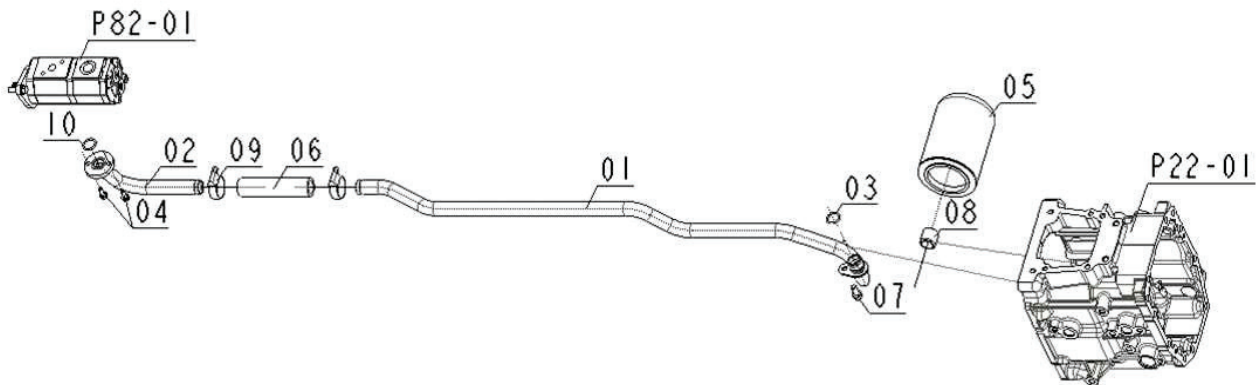
82. (HYDRAULIC PUMP)



No.	Part No.	Part Name	(Q'ty)	SB22M	SB25 H	SB31 M	SB31H	Remarks

1	FE90010000A	ASSY PUMP, HYDRAULIC	1	X	X	X	X	
2	24341-000500	O RING	1	X	X	X	X	
3	26013-080252	BOLT	1	X	X	X	X	M8X25
4	26013-080352	BOLT	1	X	X	X	X	M8X35
5	26366-080002	NUT	1	X	X	X	X	M8

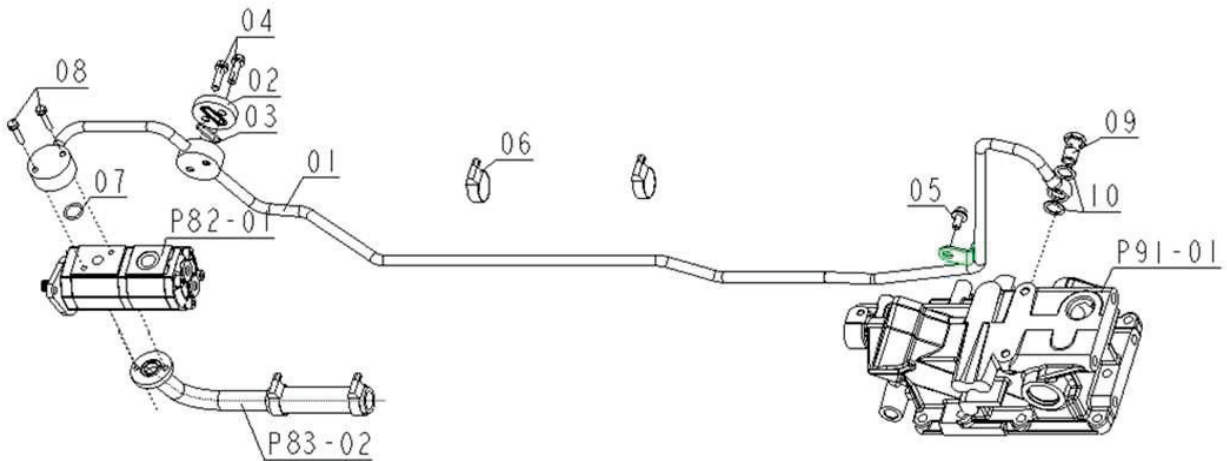
83. (HYDRAULIC OIL LINE (SUCTION))



No.	Part No.	Part Name	(Q'ty)	SB22M	SB25 H	SB31 M	SB31H	Remarks
1	FE91010000D	PIPE, SUCTION	1	X	X			
1	TA00039577B	PIPE, SUCTION	1			X	X	
2	FE91020000C	PIPE, SUCTION	1	X	X	X	X	
3	24311-000200	O RING	1	X	X	X	X	
4	26012-060169	BOLT	2	X	X	X	X	
5	FE91050000B	FILTER, OIL	1	X	X	X	X	
6	FE91060000A	HOSE, INLET	1	X	X	X	X	
7	26013-080202	BOLT	1	X	X	X	X	M8X20

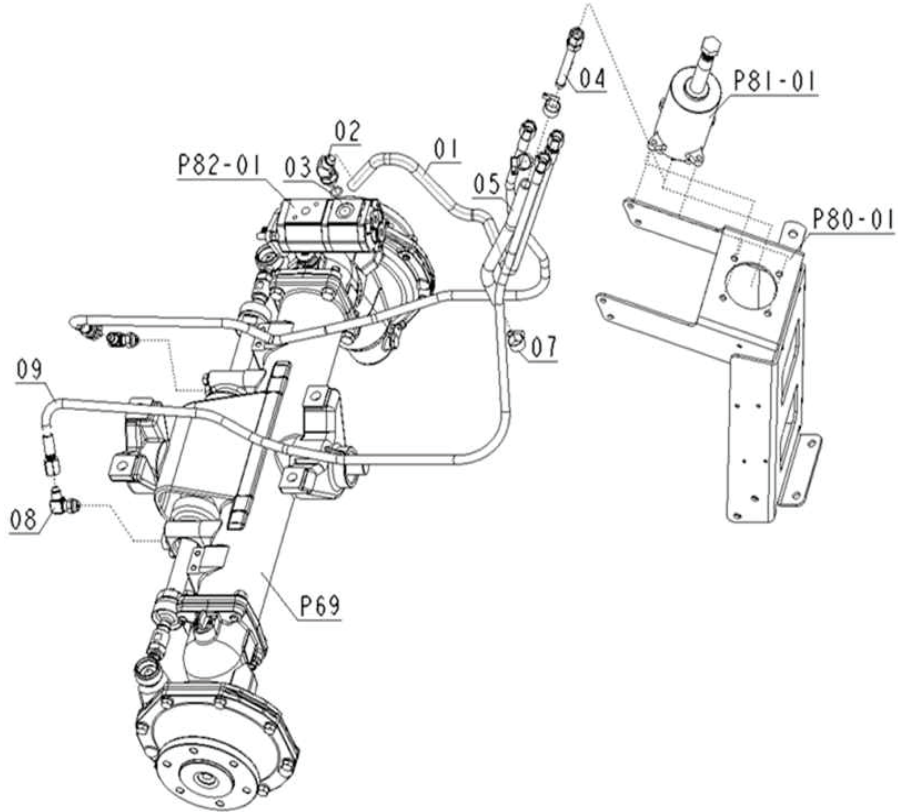
8	TA00047134A	JOINT, SCREW	1	X	X	X	X
9	23000-035000	CLAMP	2	X	X	X	X
10	24311-000200	O RING	1	X	X	X	X

84. (HYDRAULIC OIL LINE (DELIVERY))



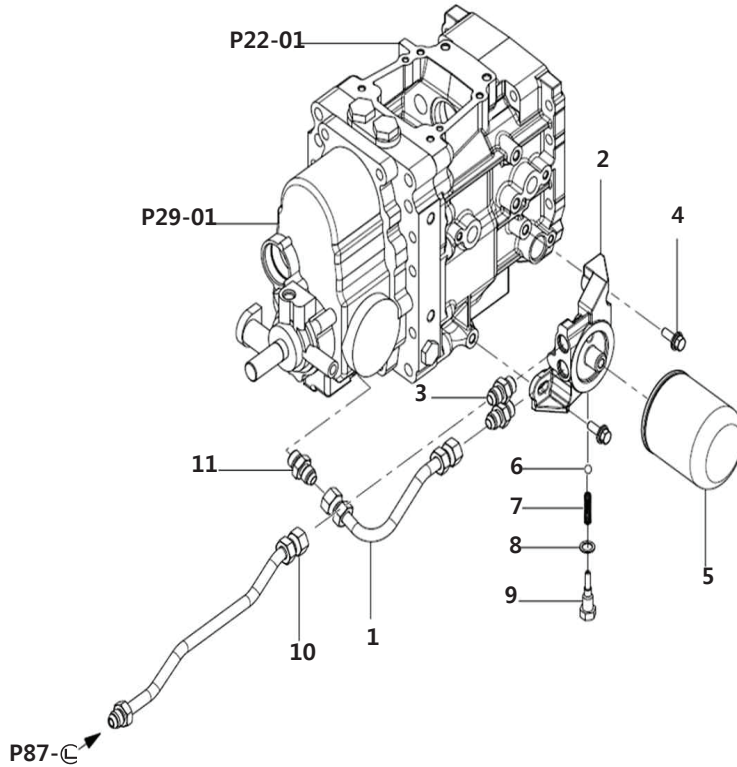
No.	Part No.	Part Name	(Q'ty)	SB22M	SB25 H	SB31 M	SB31H	Remarks
1	TA00019027B	PIPE, DELIVERY P	1	X	X			POSITION
1	TA00039583A	PIPE, DELIVERY P	1			X	X	
2	FE92020000B	CAP	1	X	X	X	X	
3	FE92030000A	O RING	1	X	X	X	X	
4	26013-080302	BOLT	2	X	X	X	X	M8X30
5	26014-080202	BOLT	1	X	X	X	X	M8X20
6	23000-035000	CLAMP	2	X	X	X	X	
7	24311-000200	O RING	1	X	X	X	X	
8	26013-060322	BOLT	2	X	X	X	X	M6X32
9	TCC9020000A4	BOLT, JOINT	1	X	X	X	X	
10	23414-160000	PACKING	2	X	X	X	X	

85. (HYDRAULIC OIL LINE (STEERING))



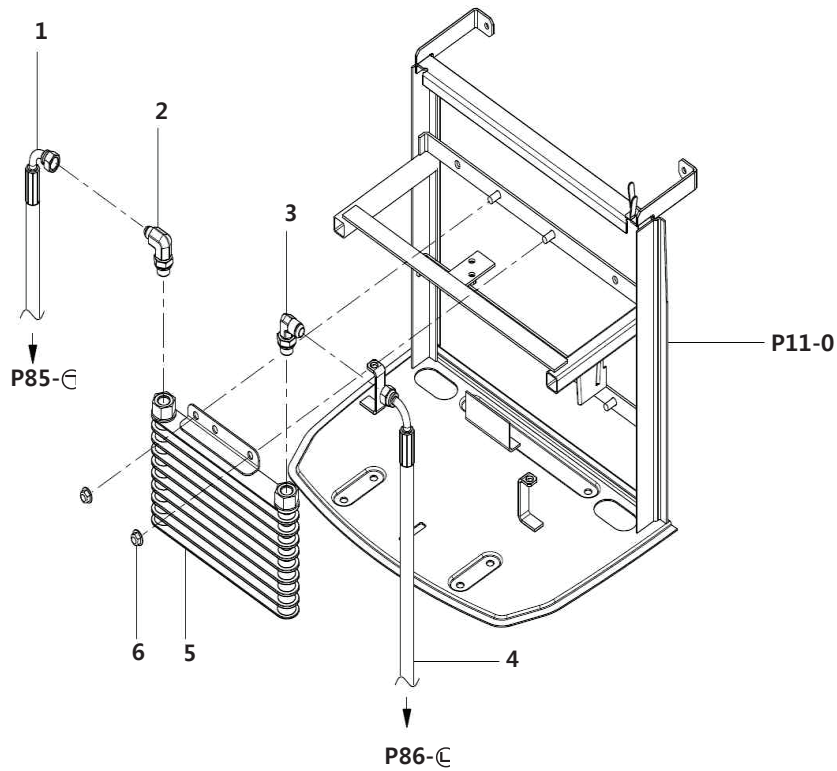
No.	Part No.	Part Name	(Q'ty)	SB22M	SB25 H	SB31 M	SB31H	Remarks
1	FE93010000B	PIPE, DELIVERY	1	X	X	X	X	
2	FT33060000A4	JOINT, PIPE	1	X	X	X	X	
3	24311-000140	O RING	1	X	X	X	X	
4	FE93040000B	PIPE	1	X		X		
5	FE93050000B	HOSE	1	X		X		
7	23000-022000	CLAMP, HOSE	2	X		X		
8	RRA4220000A4	JOINT, PIPE	2	X	X	X	X	
9	FE93090000A	PST HOSE	2	X	X			
9	TA00039946A	PST HOSE	2			X	X	
10	TA00003081A	CLIP	2	X	X	X	X	

86. HST (HYDRAULIC OIL LINE (HST))



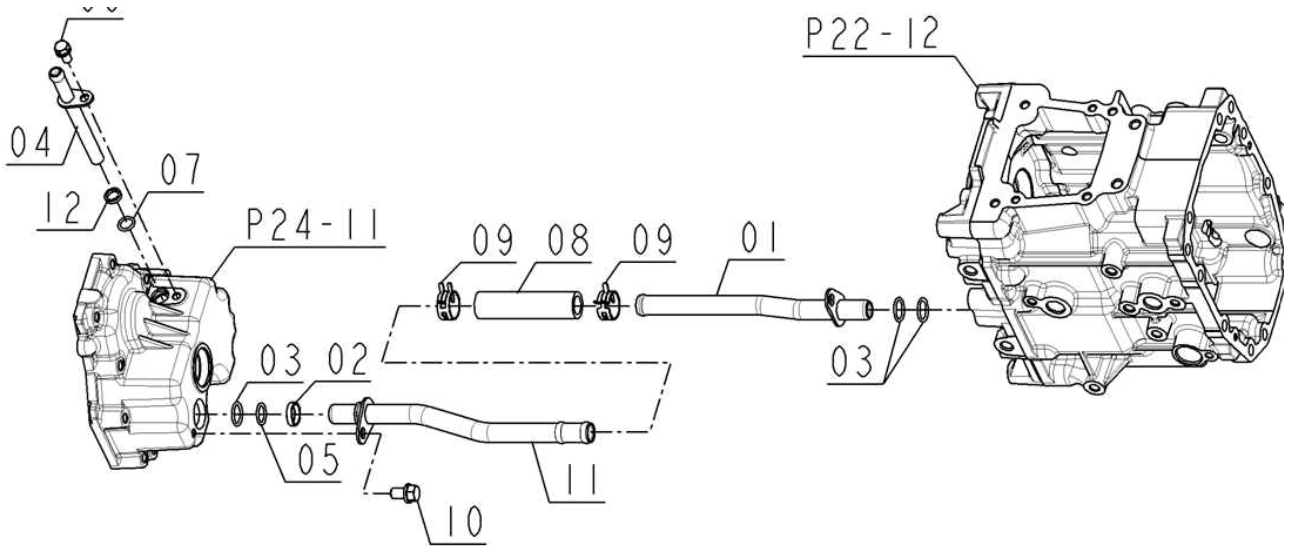
No.	Part No.	Part Name	(Q'ty)	SB22M	SB25 H	SB31 M	SB31H	Remarks
1	TA00050304A	PIPE	1		X		X	
2	TA00050340A	COVER, FILTER	1		X		X	
3	TTA3880000A4	CONNECTOR	2		X		X	
4	26014-080252	BOLT	2		X		X	
5	TA00016986B	CARTRIDGE, OIL FILTER	1		X		X	
6	24190-100001	BALL	1		X		X	M8X25
7	TA00015442A	SPRING	1		X		X	
8	23414-120000	PACKING	1		X		X	
9	TA00015441A	BOLT	1		X		X	
10	TA00053554A	PIPE	1		X		X	
11	TA00053807A	ADEAPTER	1		X		X	

87. (HYDRAULIC OIL LINE)



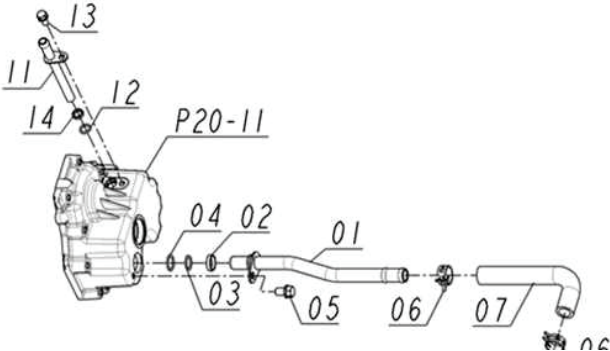
No.	Part No.	Part Name	(Q'ty)	SB22M	SB25 H	SB31 M	SB31H	Remarks
1	TA00034802A	HOSE	1		X		X	
2	NT34620000A4	JOINT, PIPE	1		X		X	
3	CEE4050000A4	ELBOW(3/8)	1		X		X	
4	TA00050769A	HOSE	1		X			
4	TA00053554A	HOSE	1				X	
5	FE95140000A	OIL, COOLER	1		X		X	
6	26366-080002	BOLT	2		X		X	M8

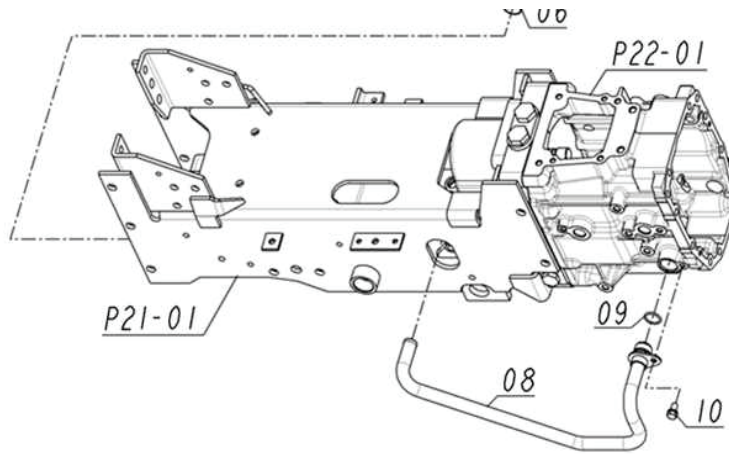
88. (HYDRAULIC OIL LINE (F/M))



No.	Part No.	Part	Name	(Q'ty)	SB22M	SB25 H	SB31 M	SB31H	Remarks
1	FE96010000B		PIPE	1	X		X		
2	FE96020000A		RING	1	X		X		
3	24311-000180		O RING	3	X		X		
4	TA00016863A		JOINT	1	X		X		
5	24311-000160		O RING	1	X		X		
6	26013-080162		BOLT	1	X		X		M8X16
7	24311-000120		O RING	1	X		X		
8	TA00017667A		HOSE	1	X		X		
9	TA00016988A		CLAMP, HOSE	2	X		X		
10	26013-080162		BOLT	1	X		X		M8X16
11	TA00003097A		PIPE	1	X				
11	TA00039585A		PIPE	1			X		
12	TA00020843B		COLLAR	1	X		X		

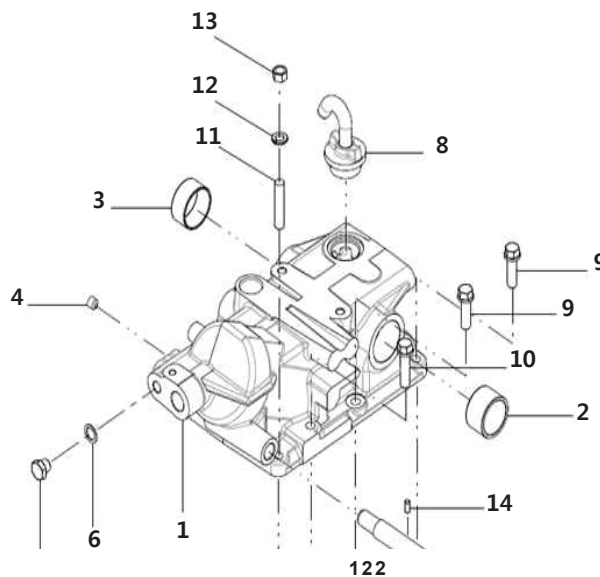
89. (HYDRAULIC OIL LINE (C/M))-HST

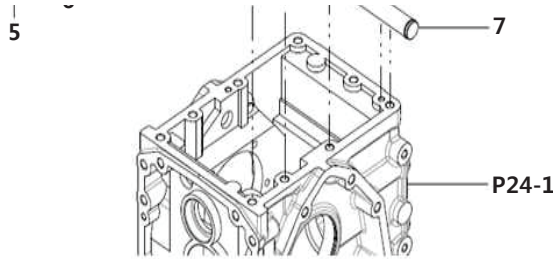




No.	Part No.	Part Name	(Q'ty)	SB22M	SB25	SB31	SB31H	Remarks
					H	M		
1	TA00003097A	PIPE	1		X			
1	TA00039585A	PIPE	1				X	
2	FE96020000A	RING	1		X		X	
3	24311-000160	O RING	1		X		X	
4	24311-000180	O RING	1		X		X	
5	26013-080162	BOLT	1		X		X	M8X16
6	TA00016988A	CLAMP	2		X		X	
7	TA00003094A	HOSE, HYDRAULIC	1		X		X	
8	TA00003124A	PIPE	1		X		X	
9	24311-000200	O RING	1		X		X	
10	26013-080162	BOLT	1		X		X	M8X16
11	TA00051811A	PIPE, AIR BREATHER	1		X		X	
12	24311-000120	O RING	1		X		X	
13		BOLT	1		X		X	M8X16
14	TA00020843B	COLLAR	1		X		X	

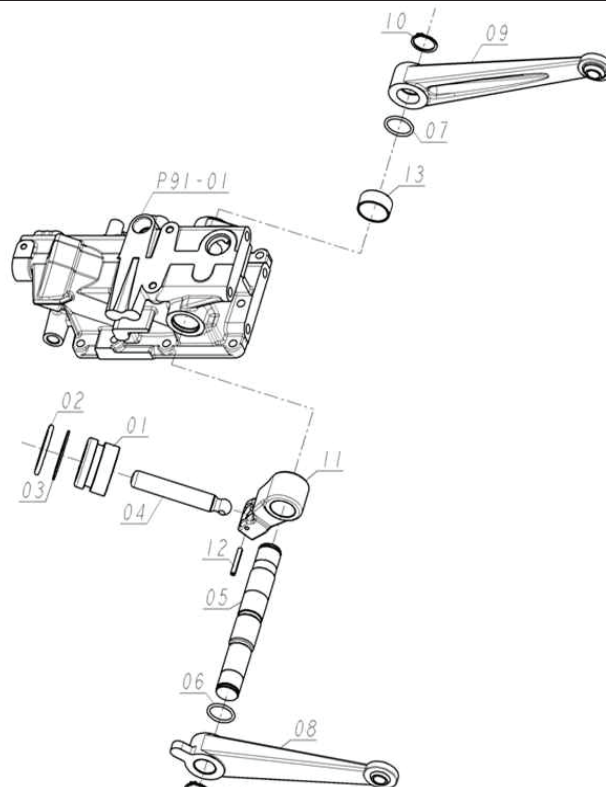
91. (HYDRAULIC CYLINDER)





No.	Part No.	Part Name	(Q'ty)	SB22M	SB25 H	SB31 M	SB31H	Remarks
1	TA00022498D	ASSY CASE, CYLINDER	1	X	X	X	X	
2	TA00022682B	BUSH	1	X	X	X	X	
3	TA00022683A	BUSH	1	X	X	X	X	
4	23871-010000	PLUG	1	X	X	X	X	
5	23887-120002	PLUG	1	X	X	X	X	
6	23414-120000	PACKING	1	X	X	X	X	
7	FE98070000A	SHAFT	1	X	X	X	X	
8	FT80370000A4	CAP, OIL INTAKE	1	X	X	X	X	
9	26013-100352	BOLT	5	X	X	X	X	M10X35
10	26013-100402	BOLT	2	X	X	X	X	M10X40
11	26216-100352	STUD	2	X	X	X	X	
12	22217-100000	WASHER, SPRING	2	X	X	X	X	
13	26712-100002	NUT	2	X	X	X	X	M10
14	22312-060100	PIN, STRAIGHT	2	X	X	X	X	

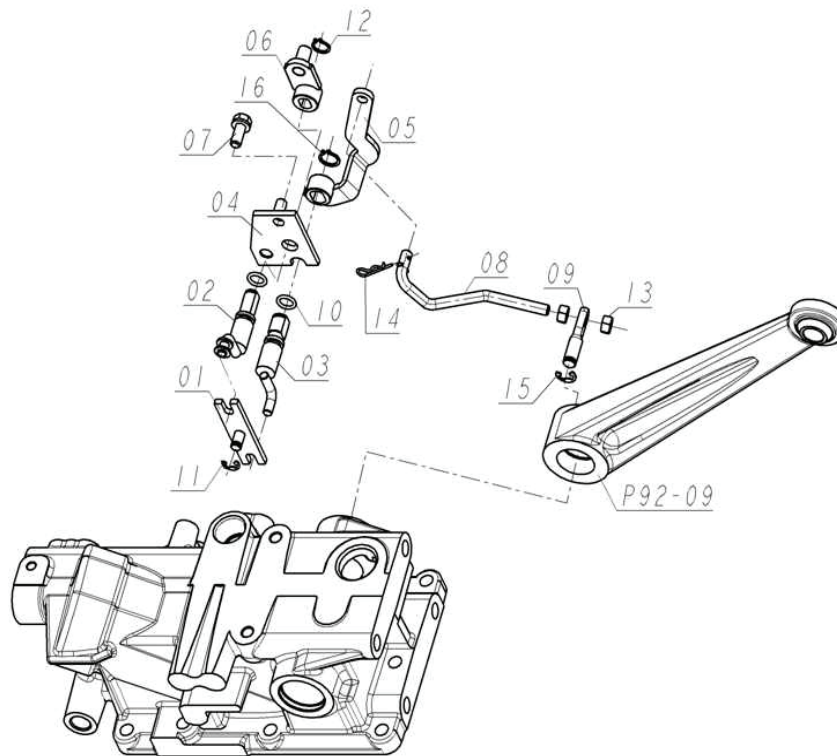
92. (HYDRAULIC PISTON / LIFT ARM)



10

No.	Part No.	Part Name	(Q'ty)	SB22M	SB25 H	SB31 M	SB31H	Remarks
1	TA00022494B	PISTON, HYD.	1	X	X	X	X	
2	TA00022680A	O RING	1	X	X	X	X	
3	TA00022681A	RING, BACK UP	1	X	X	X	X	
4	TA00022679A	ROD, HYD. PISTON	1	X	X	X	X	
5	TA00022493C	SHAFT, HYD. ARM	1	X	X	X	X	
6	TA00035991A	O RING	1	X	X	X	X	
7	24311-000380	O RING	1	X	X	X	X	
8	TA00022496B	ARM, LIFT LH	1	X	X	X	X	
9	TA00022497B	ARM, LIFT RH	1	X	X	X	X	
10	22242-000320	CIR CLIP, EXTERNAL	2	X	X	X	X	
11	TA00022966A	ARM, HYDRAULIC	1	X	X	X	X	
12	22351-060040	PIN, SPRING	1	X	X	X	X	
13	TA00050297A	COLLAR	1	X	X	X	X	

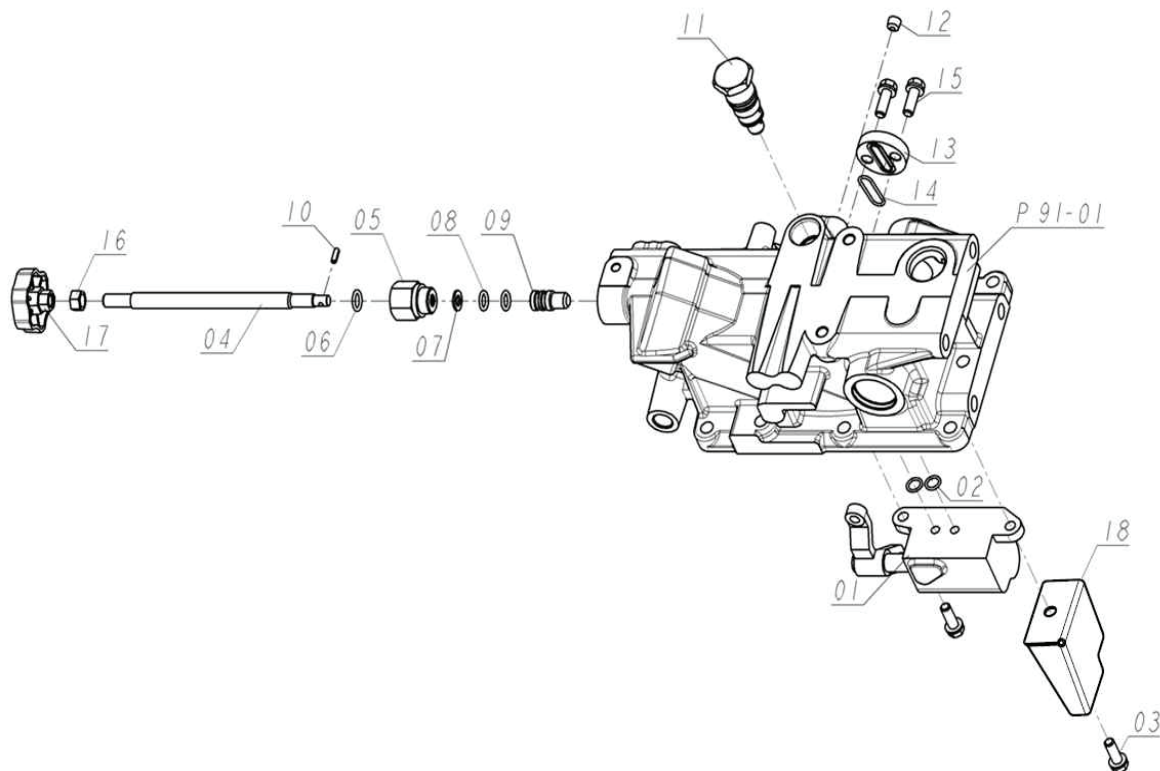
94. (FEED BACK LEVER)(POSITION)



No.	Part No.	Part Name	(Q'ty)	SB22M	SB25 H	SB31 M	SB31H	Remarks
1	TA00018854A	LINK	1	X	X	X	X	
2	TA00018858A	CONTROL LEVER	1	X	X	X	X	
3	TA00018862A	SHAFT, FEED BACK	1	X	X	X	X	
4	TA00018903A	BRAKET ASS'Y	1	X	X	X	X	

5	TA00018870C	ARM, FEED BACK	1	X	X	X	X	
6	TA00018867A	ASS'Y, CONTROL ARM	1	X	X	X	X	
7	26013-080202	BOLT	1	X	X	X	X	M8X20
8	TA00018871C	ROD, FEED BACK	1	X	X	X	X	
9	FEA0120000A	PIN, FEED BACK	1	X	X	X	X	
10	24311-000110	O RING	2	X	X	X	X	
11	22272-000070	SNAP RING	1	X	X	X	X	
12	22242-000120	CIR CLIP,EXTERNAL	1	X	X	X	X	
13	26712-080002	NUT	2	X	X	X	X	M8
14	22360-080000	PIN, SNAP	1	X	X	X	X	
15	22272-000080	SNAP RING	1	X	X	X	X	
16	22242-000140	CIR CLIP,EXTERNAL	1	X	X	X	X	

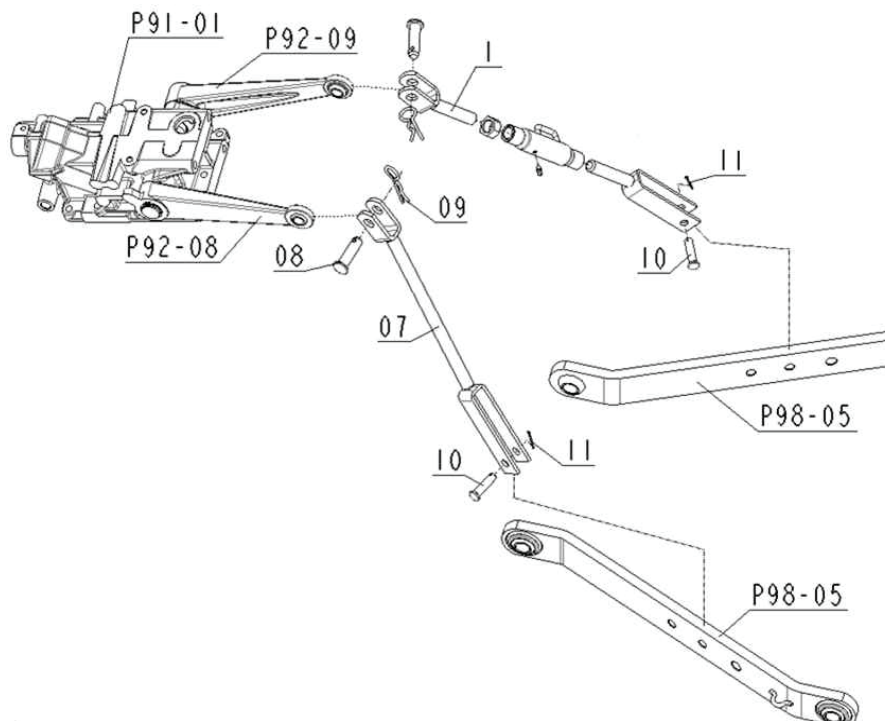
96. (POSITION VALVE)



No.	Part No.	Part Name	(Q'ty)	SB22M	SB25 H	SB31 M	SB31H	Remarks
1	TA00019098C	ASSY VALVE, POSITION	1	X	X	X	X	
2	24311-000100	O RING	2	X	X	X	X	
3	26013-080252	BOLT	2	X	X	X	X	M8X25
4	TA00019112A	SHAFT, HYD. ADJUST	1	X	X			
4	TA00039909A	SHAFT, HYD. ADJUST	1			X	X	
5	TTA9030000A4	HOLDER	1	X	X	X	X	
6	24311-000120	O RING	1	X	X	X	X	
7	22117-080000	WASHER	1	X	X	X	X	
8	24311-000110	O RING	2	X	X	X	X	
9	TA00019111A	VALVE, STOP	1	X	X	X	X	
10	22351-040012	PIN, SPRING	1	X	X	X	X	
11	TA00019113B	VALVE, SAFETY	1	X	X	X	X	

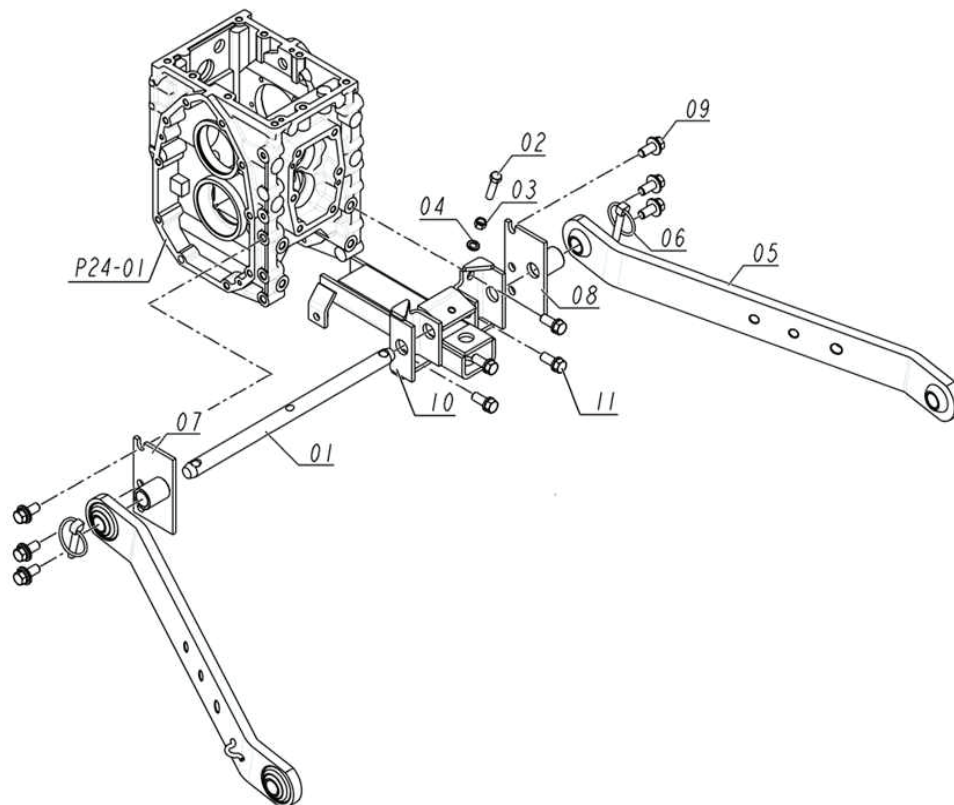
12	23871-010000	PLUG	1	X	X	X	X	
13	FE92020000B	CAP	1	X	X	X	X	
14	FE92030000A	O RING	1	X	X	X	X	
15	26013-080252	BOLT	2	X	X	X	X	M8X25
16	26716-100002	NUT	1	X	X	X	X	M10
17	TTA9040000A4	GRIP	1	X	X	X	X	
18	TA00050400A	OIL GUIDE	1	X	X	X	X	

97. (3-POINT LINKAGE(LIFT LINK))



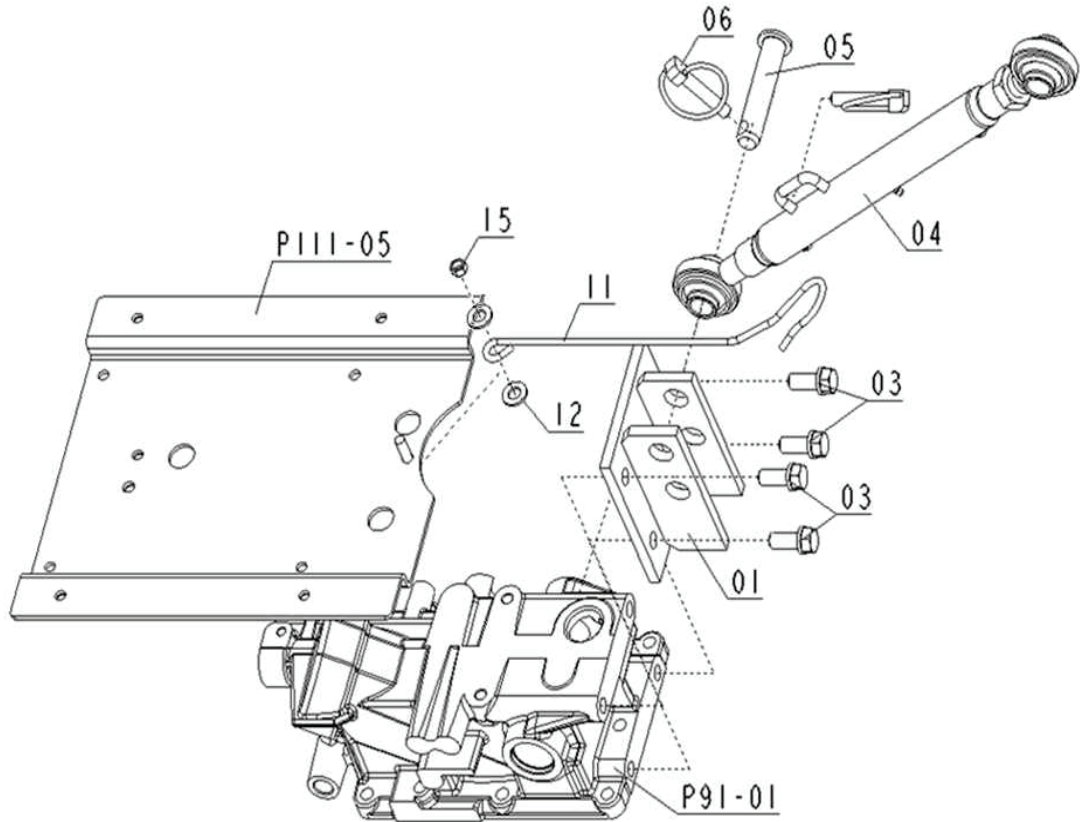
No.	Part No.	Part Name	(Q'ty)	SB22M	SB25 H	SB31 M	SB31H	Remarks
1	FEA2010000B	ASSY ROD, LIFT RH	1	X	X	X	X	
7	FEA2070000B	ROD, LIFT LH	1	X	X	X	X	
8	TZE7300000A4	PIN, JOINT	2	X	X	X	X	
9	TTE7010000A4	PIN, SNAP	2	X	X	X	X	
10	22486-120350	PIN, FASTENER	2	X	X	X	X	
11	22417-250280	COTTER PIN	2	X	X	X	X	

98. (LOWER LINK)



No.	Part No.	Part	Name	(Q'ty)	SB22M	SB25 H	SB31 M	SB31H	Remarks
1	FEA3010000B		PIN, LOWER LINK	1	X	X	X	X	
2	26156-100404		BOLT	1	X	X	X	X	M10X40
3	26716-100002		NUT	1	X	X	X	X	M10
4	22217-100000		WASHER, SPRING	1	X	X	X	X	
5	FEA3050000C		COMP. LINK, LOWER	2	X	X	X	X	
6	TB44030000B4		PIN, SET	2	X	X	X	X	
7	TA00019170A		BRACKET	1	X	X	X	X	
8	TA00019171A		BRACKET	1	X	X	X	X	
9	26014-120302		BOLT	6	X	X	X	X	M12X30
10	FEA7010000B		COMP. HITCH	1	X	X	X	X	
11	26013-120302		BOLT	4	X	X	X	X	

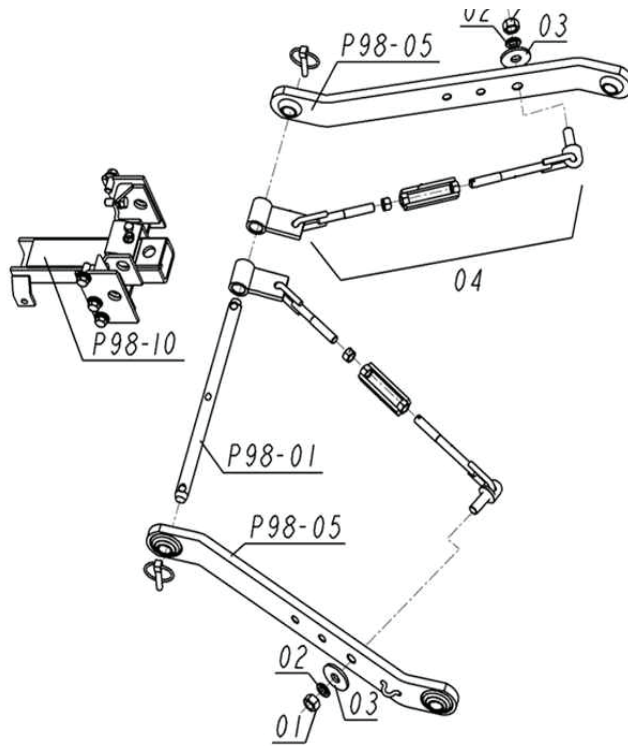
99. (3-POINT LINKAGE(TOP LINK))



No.	Part No.	Part Name	(Q'ty)	SB22M	SB25 H	SB31 M	SB31H	Remarks
1	FEA4010000A	BRACKET, TOP LINK LH	1	X	X	X	X	
3	26013-120302	BOLT	4	X	X	X	X	M12X30
4	FEA4040000D	ASSY LINK, TOP	1	X	X	X	X	
5	TTE6130000B4	PIN, FASTENER	1	X	X	X	X	
6	TJ30110000A4	PIN, SET	2	X	X	X	X	
11	FEA4110000B	HOLDER, TOP LINK	1	X	X	X	X	
12	22157-100000	WASHER	2	X	X	X	X	
15	26347-080002	U-NUT	1	X	X	X	X	

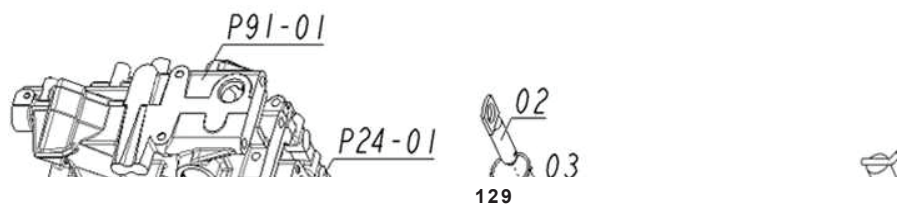
100. (CHECK CHAIN)

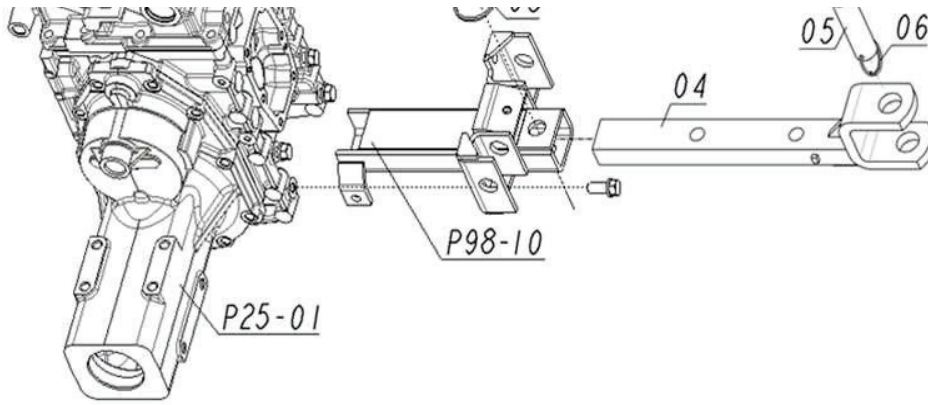
no 01



No.	Part No.	Part	Name	(Q'ty)	SB22M	SB25 H	SB31 M	SB31H	Remarks
1	26716-160002		NUT	2	X	X	X		
2	22217-160000		WASHER, SPRING	2	X	X	X		M16
3	22157-160000		WASHER	2	X	X	X		
4	FEA5010000E		ASSY CHECK CHAIN	2	X	X	X		

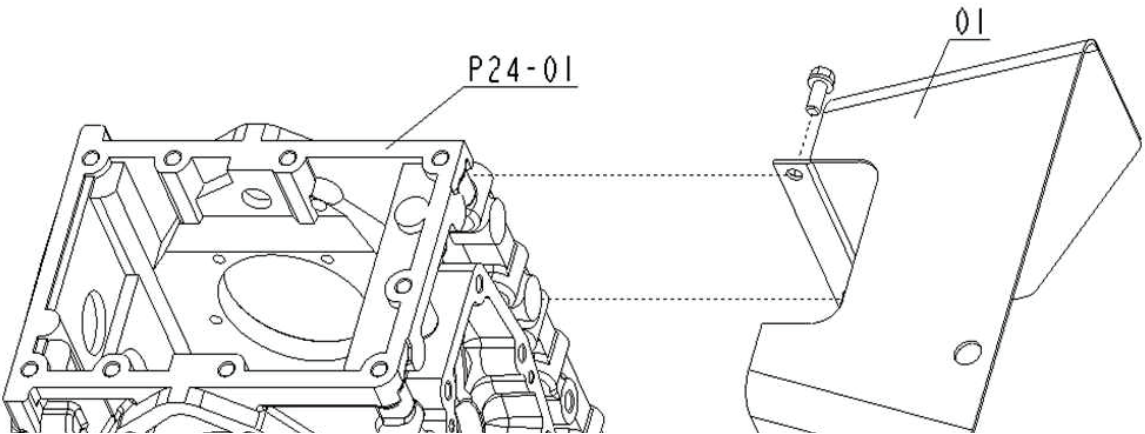
101. (DRAW BAR)

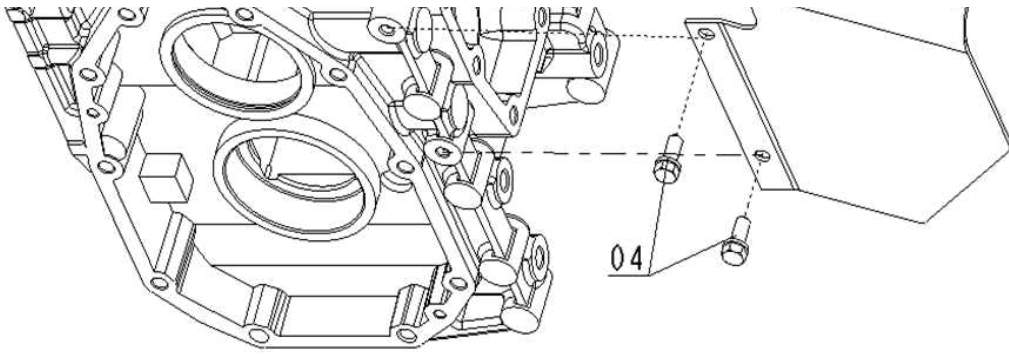




No.	Part No.	Part Name	(Q'ty)	SB22M	SB25 H	SB31 M	SB31H	Remarks
2	FEA6020000A	PIN, HITCH	1	X	X	X	X	
3	TB46070000A4	PIN, RING	1	X	X	X	X	
4	TA00016448A	DRAWBAR ASSY	1	X	X	X	X	
5	NTF203E000A4	PIN HITCH32	1	X	X	X	X	
6	TJ30110000A	PIN,RING	1	X	X	X	X	

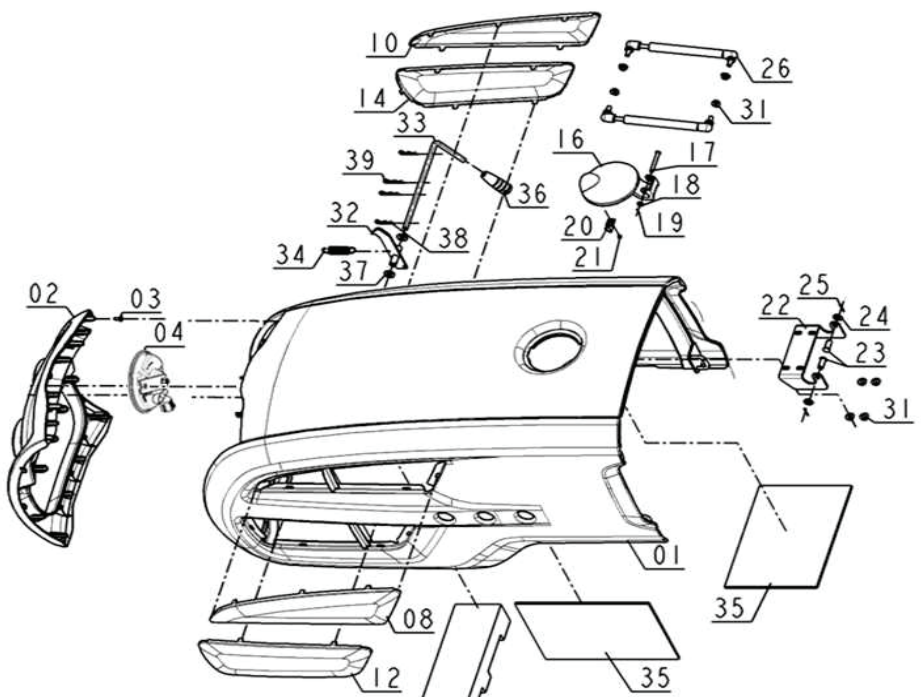
102. (PTO PROTECTOR)

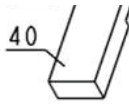




No.	Part No.	Part Name	(Q'ty)	SB22M	SB25 H	SB31 M	SB31H	Remarks
1	FEA8010000C	KIT COVER, PTO (A)	1	X	X	X	X	
4	26013-080202	BOLT	4	X	X	X	X	M8X20

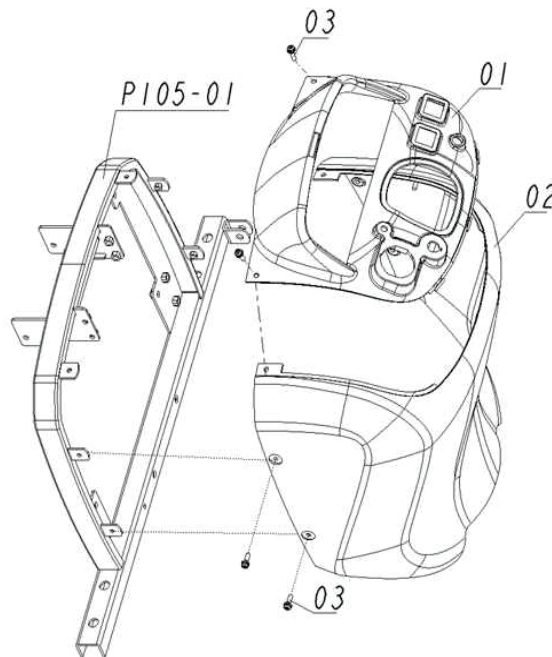
103. (HOOD)





No.	Part No.	Part Name	(Q'ty)	SB22M	SB25 H	SB31 M	SB31H	Remarks
1	TA00040721C	HOOD ASS'Y	1	X	X	X	X	
2	TA00040935A	FRONT MASK	1	X	X	X	X	
3	TTD7090000A4	SCREW	11	X	X	X	X	
4	HA00000929A	HORN	1	X	X	X	X	
8	FEB0050100B	COVER LH, UP	1	X	X	X	X	
10	FEB0060100B	COVER RH, UP	1	X	X	X	X	
12	FEB0070100B	COVER LH, UP	1	X	X	X	X	
14	FEB0080100B	COVER RH, UP	1	X	X	X	X	
16	FEB0090000A	COVER, FUEL	1	X	X	X	X	
17	22487-060500	PIN, FASTENER	1	X	X	X	X	
18	22127-060000	WASHER	1	X	X	X	X	
19	22417-160120	COTTER PIN	1	X	X	X	X	
20	FEB0100000B	SPRING	1	X	X	X	X	
21	22587-350102	SCREW	1	X	X	X	X	
22	FEB0110000B	HINGE	1	X	X	X	X	
23	22487-100200	PIN, FASTENER	2	X	X	X	X	
24	22117-100000	WASHER	2	X	X	X	X	
25	22417-200200	COTTER PIN	2	X	X	X	X	
26	FEB0120000A	SPRING	2	X	X	X	X	
31	26366-080002	NUT	8	X	X	X	X	
32	FEB0130000C	HOOK	1	X	X	X	X	
33	FEB0140000B	LEVER	1	X	X	X	X	
34	FEB0150000B	SPRING	1	X	X	X	X	
35	FTD6290000B	SPONGE	2	X	X	X	X	
36	VD05460000A4	GRIP	1	X	X	X	X	
37	22127-100000	WASHER	2	X	X	X	X	
38	22360-100000	PIN, SNAP	2	X	X	X	X	
39	22360-120000	PIN, SNAP	2	X	X	X	X	
40	FEB0160000A	SPONGE	1	X	X	X	X	

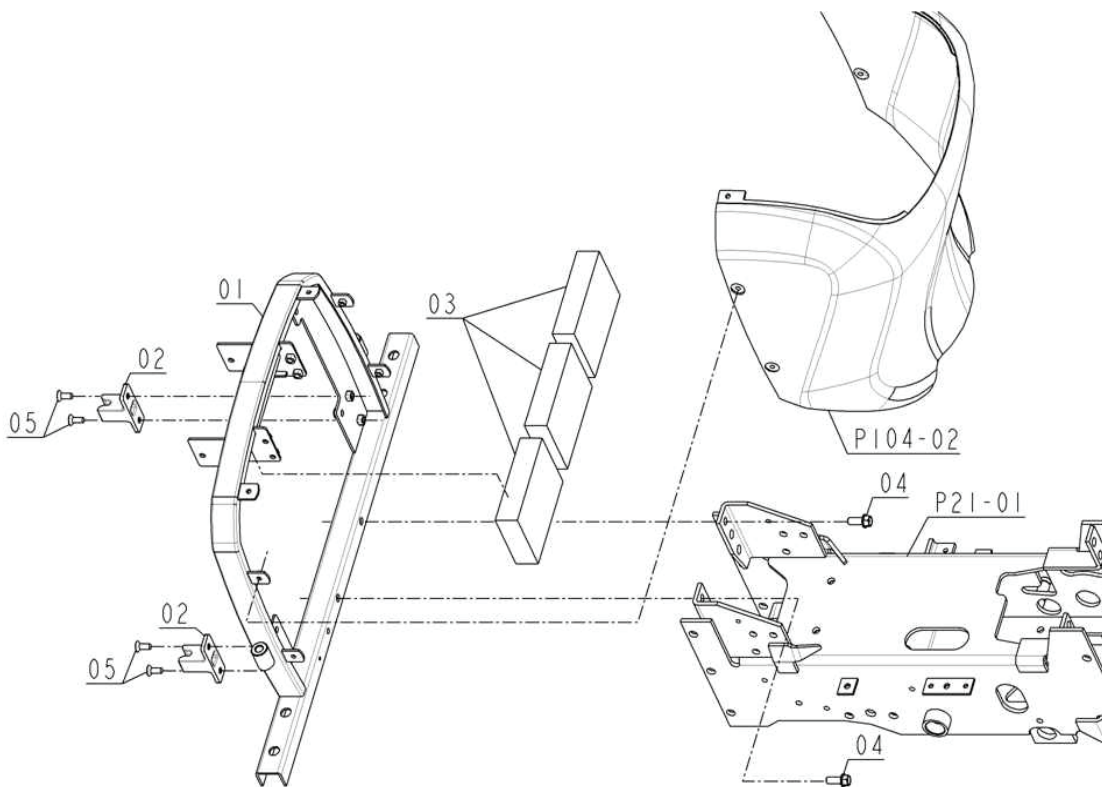
104. (PANEL COVER)



No.	Part No.	Part Name	(Q'ty)	SB22M	SB25 H	SB31 M	SB31H	Remarks
1	FEB1010000A	COVER, PANEL	1	X	X	X	X	

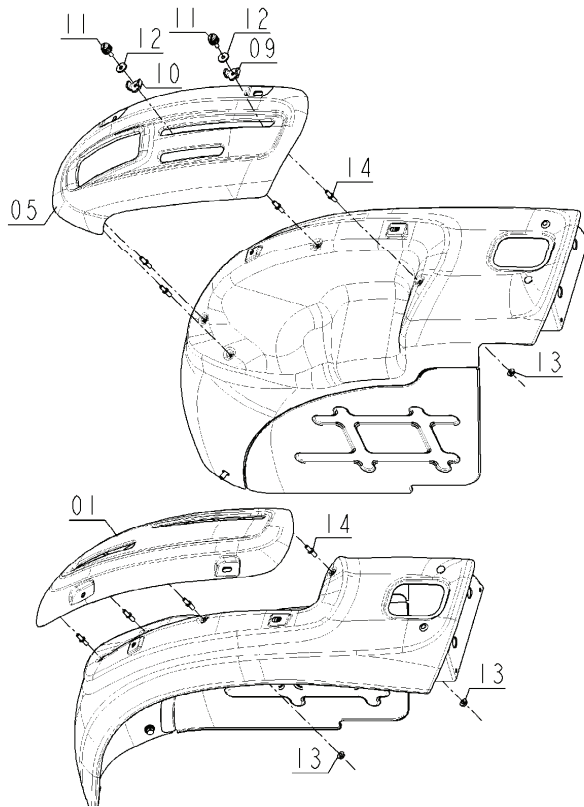
2	FEB1020000A	COVER, PANEL	1	X	X	X	X
3	TCE9010000A4	SCREW	6	X	X	X	X

105. (SHUTTER PLATE)



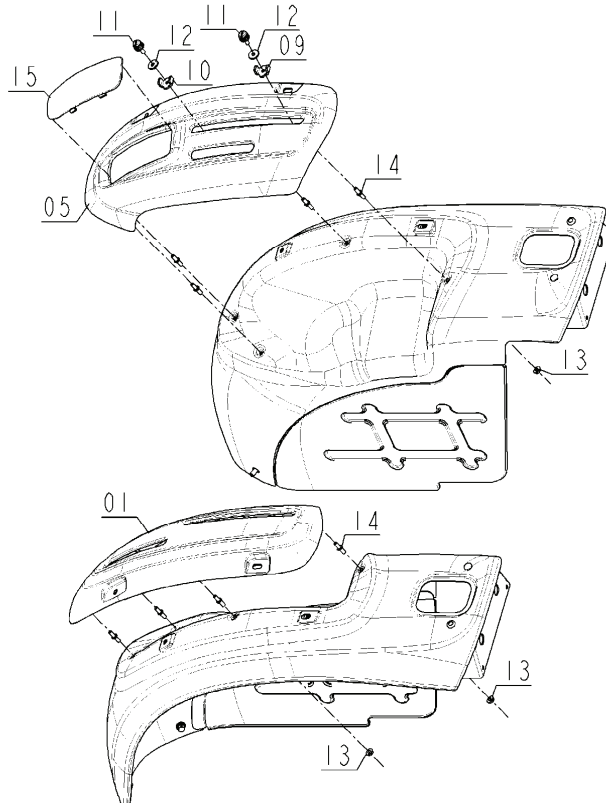
No.	Part No.	Part Name	(Q'ty)	SB22M	SB25 H	SB31 M	SB31H	Remarks
1	TA00016843D	PILLAR, CENTER	1	X	X	X	X	
2	FEB3020000A	HOOK	2	X	X	X	X	
3	FEB3030000A	SPONGE	3	X	X	X	X	
4	26013-100252	BOLT	2	X	X	X	X	M10X25
5	26577-080202	SCREW	4	X	X	X	X	

106. (LEVER GUIDE)



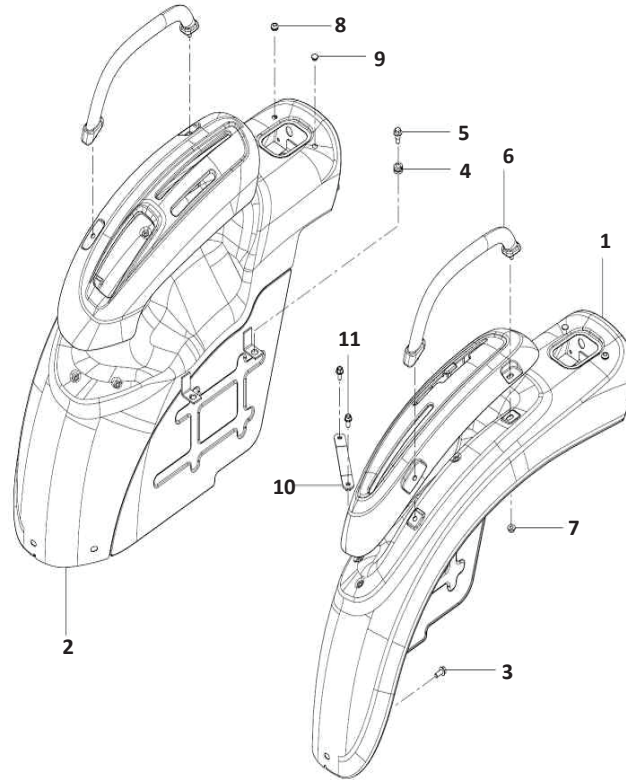
No.	Part No.	Part Name	(Q'ty)	SB22M	SB25 H	SB31 M	SB31H	Remarks
1	FEB4010000A	ASSY GUIDE, LEVER LH	1	X		X		
5	FEB4050000B	ASSY GUIDE, LEVER RH	1	X		X		
9	TA00016323A	HOLDER, HYD. LEVER UP	1	X		X		
10	FEB4100000A	HOLDER, HYD. LEVER DOW	1	X		X		
11	CE68060000A4	BOLT, FLANGE	2	X		X		
12	22157-060000	WASHER	2	X		X		
13	26366-060002	NUT	8	X		X		M6
14	TA00001332A	INSERT BOLT	8	X		X		

107. (LEVER GUIDE) - HST



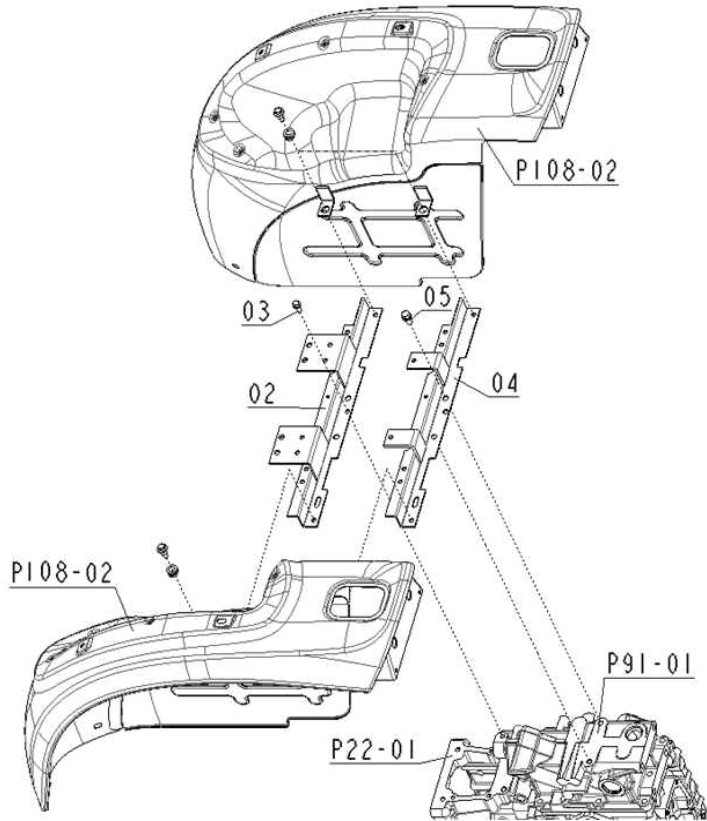
No.	Part No.	Part Name	(Q'ty)	SB22M	SB25	SB31	SB31H	Remarks
					H	M		
1	FEB4010000A	ASSY GUIDE, LEVER LH	1		X		X	
5	FEB4050000B	ASSY GUIDE, LEVER RH	1		X		X	
9	TA00016323A	HOLDER, HYD. LEVER UP	1		X		X	
10	FEB4100000A	HOLDER, HYD. LEVER DOW	1		X		X	
11	CE68060000A4	BOLT, FLANGE	2		X		X	
12	22157-060000	WASHER	2		X		X	
13	26366-060002	NUT	8		X		X	M6
14	TA00001332A	INSERT BOLT	8		X		X	
15	TA00016989B	GUIDE	1		X		X	

108. (FENDER)



No.	Part No.	Part Name	(Q'ty)	SB22M	SB25 H	SB31 M	SB31H	Remarks
1	FEB601000C	KIT FENDER LH (A)	1	X	X			
2	FEB602000B	KIT FENDER RH (A)	1	X	X			
1	TA00039506A	KIT FENDER LH (A)	1			X	X	
2	TA00039507A	KIT FENDER RH (A)	1			X	X	
3	26106-080202	BOLT	4	X	X	X	X	M8X20
4	FEB6050000A	CUSHION	4	X	X	X	X	
5	FEB6060000A	BOLT	4	X	X	X	X	
6	FEB6070000A	HANDRAIL	2	X	X	X	X	
7	26367-080002	NUT	4	X	X	X	X	M8
8	TB40280000A4	RUBBER	4	X	X	X	X	
9	TTD6650000A4	RUBBER	2	X	X	X	X	
10	TA00053346A	SUPPORT	1	X	X			
10	TA00037251A	BRACKET	1			X	X	
11	26160-080162	BOLT	2	X	X	X	X	

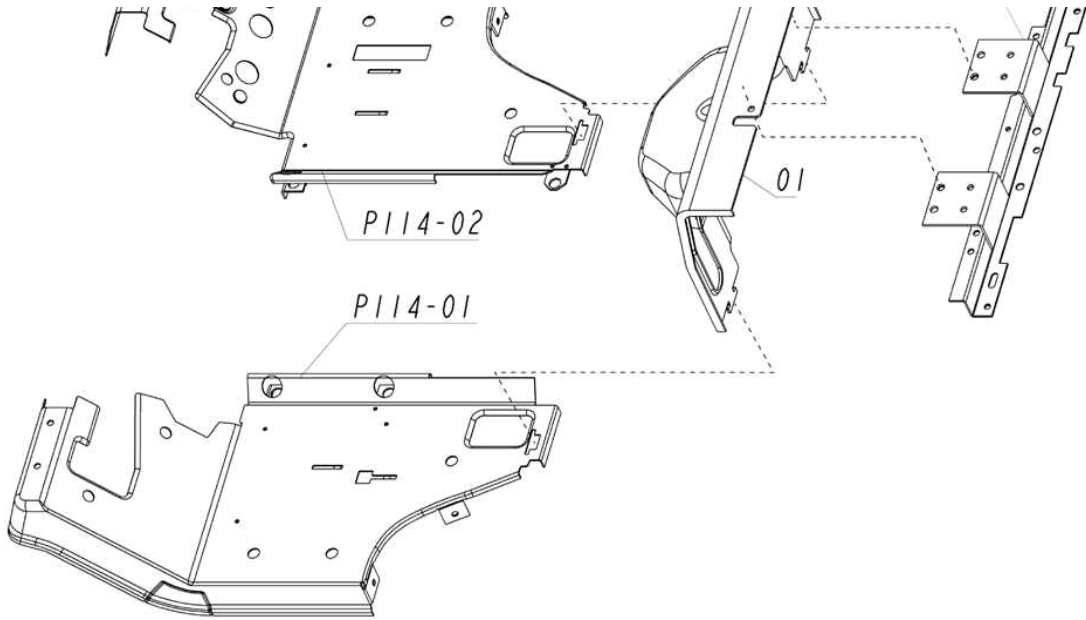
109. (FENDER STAY)



No.	Part No.	Part Name	(Q'ty)	SB22M	SB25	SB31	SB31H	Remarks
					H	M		
2	FEB702000D	STAY, FENDER	1	X	X			
2	TA00039653A	STAY, FENDER	1			X	X	
3	26013-080182	BOLT	1	X	X	X	X	M8X18
4	FEB704000B	STAY, FENDER	1	X	X	X	X	
5	26013-100202	BOLT	2	X	X	X	X	M10X20

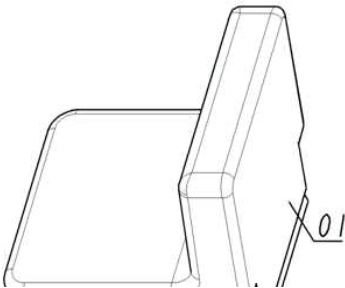
110. (FLOOR SEAT)

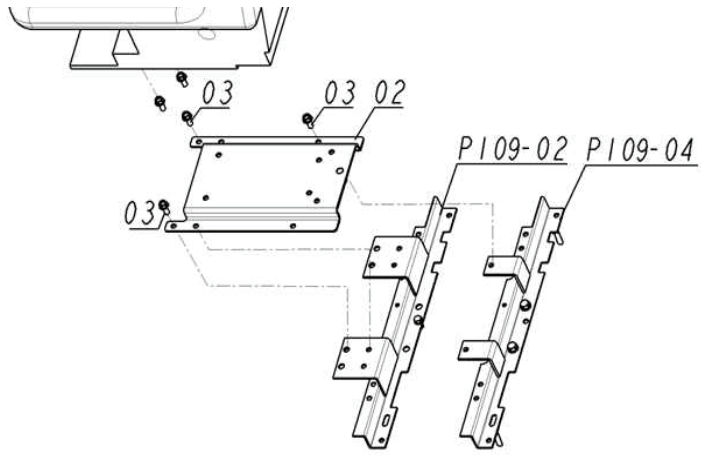




No.	Part No.	Part Name	(Q'ty)	SB22M	SB25 H	SB31 M	SB31H	Remarks
1	FEB8010000B	COVER, SEAT UNDER	1	X	X	X	X	

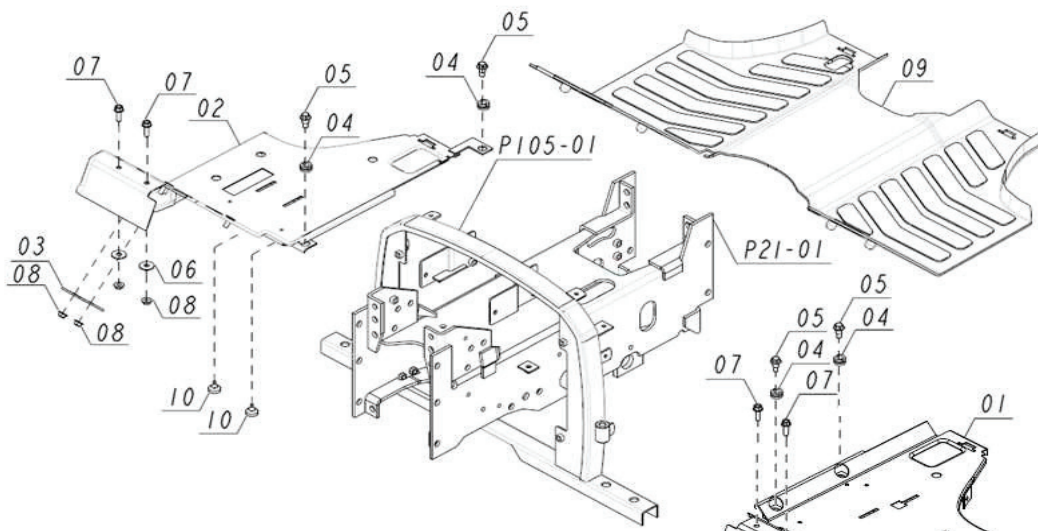
111. (SEAT)

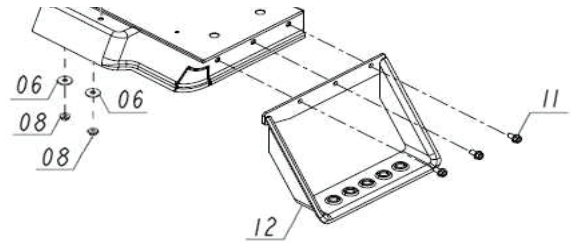




No.	Part No.	Part	Name	(Q'ty)	SB22M	SB25	SB31	SB31H	Remarks
					H	M			
1	TA00016942A		SEAT(EU)	1	X	X	X	X	EU
2	TA00017084B		STAY ASS'Y	1	X	X	X	X	EU
3	26106-080202		BOLT	12	X	X	X	X	M8X20

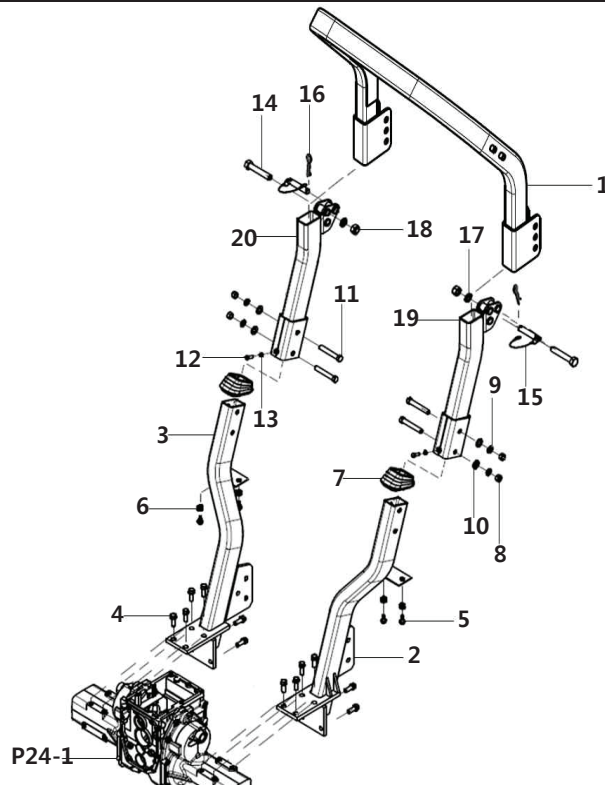
112. (STEP)





No.	Part No.	Part Name	(Q'ty)	SB22M	SB25 H	SB31 M	SB31H	Remarks
1	FEC0010000C	STEP LH	1	X	X			
1	TA00039925C	STEP LH	1			X	X	
2	FEC0020000G	STEP RH	1	X	X			
2	TA00039539A	STEP RH	1			X	X	
3	FEC0030000A	SUPPORT, STEP RH	1			X	X	
3	FEC0030000A	SUPPORT, STEP RH	1	X	X	X	X	
4	FEB6050000A	CUSHION	8	X	X	X	X	
5	FEB6060000A	BOLT	4	X	X	X	X	
6	22157-080000	WASHER	4	X	X	X	X	
7	26106-080252	BOLT	4	X	X	X	X	M8X25
8	26366-080002	NUT	6	X	X	X	X	M8
9	TA00055336A	MAT, STEP	1	X		X		
9	TA00053216A	MAT, STEP_HST	1		X		X	
10	RRB9260000A4	STOPPER	3	X	X	X	X	
11	26106-080162	BOLT	3	X	X	X	X	
12	TA00051072A	STEP	1	X	X	X	X	

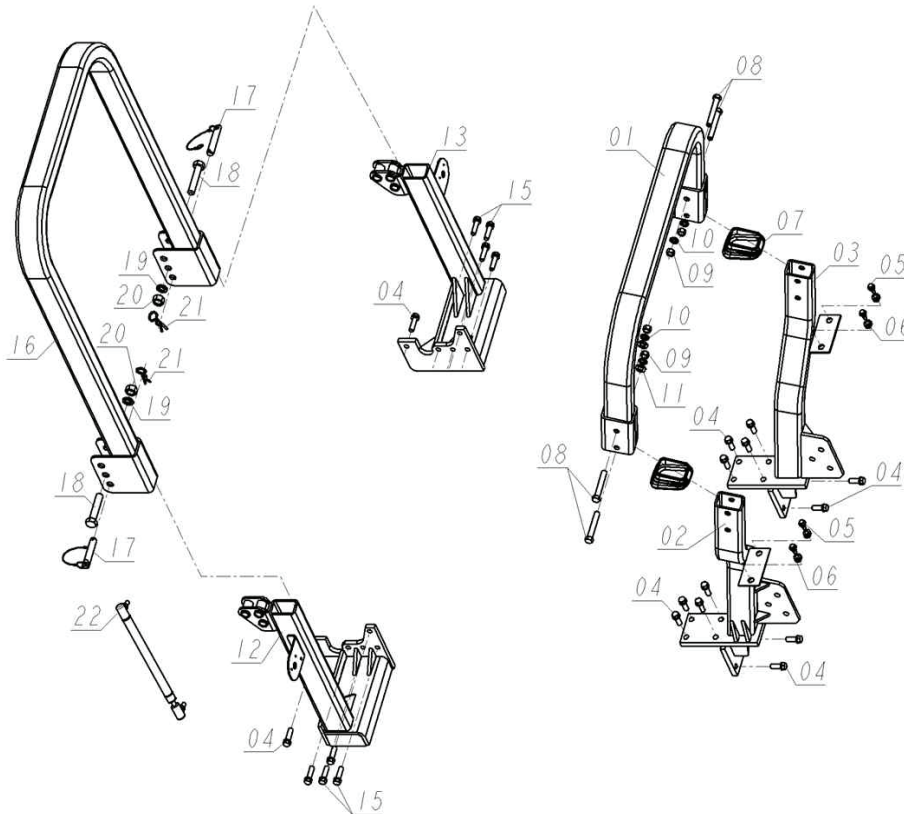
113. ROPS





No.	Part No.	Part	Name	(Q'ty)	SB22M	SB25 H	SB31 M	SB31H	Remarks
1	TA00048599A		FRAME	1	X	X	X	X	
2	FEC1020000C		FRAME, LOWER LH	1	X	X			
2	TA00039715B		FRAME, LOWER LH	1			X	X	
3	FEC1030000C		FRAME, LOWER RH	1	X	X			
3	TA00039716B		FRAME, LOWER RH	1			X	X	
4	26013-120352		BOLT	12	X	X	X	X	
5	FEB6060000A		BOLT	4	X	X	X	X	
6	FEB6050000A		CUSHION	4	X	X	X	X	
7	FEC1220000A		COVER, ROPS	2	X	X	X	X	
8	26716-140002		NUT	4	X	X	X	X	
9	22217-140000		WASHER, SPRING	4	X	X	X	X	
10	22127-140000		WASHER, PLAIN	4	X	X	X	X	
11	26116-140902		BOLT	4	X	X	X	X	
12	26116-080252		BOLT	2	X	X	X	X	
13	26757-080002		NUT	2	X	X	X	X	
14	26116-180902		BOLT	2	X	X	X	X	
15	NTF8400000A3		PIN	2	X	X	X	X	
16	TTE7010000A4		SNAP PIN	2	X	X	X	X	
17	22217-180000		WASHER, SPRING	2	X	X	X	X	
18	26347-180002		U_NUT	2	X	X	X	X	
19	TA00039934A		FRAME, LOWER LH	1	X	X			
19	TA00016844C		FRAME, LOWER LH	1			X	X	
20	TA00039935A		FRAME, LOWER RH	1	X	X			
20	TA00016845C		FRAME, LOWER RH	1			X	X	

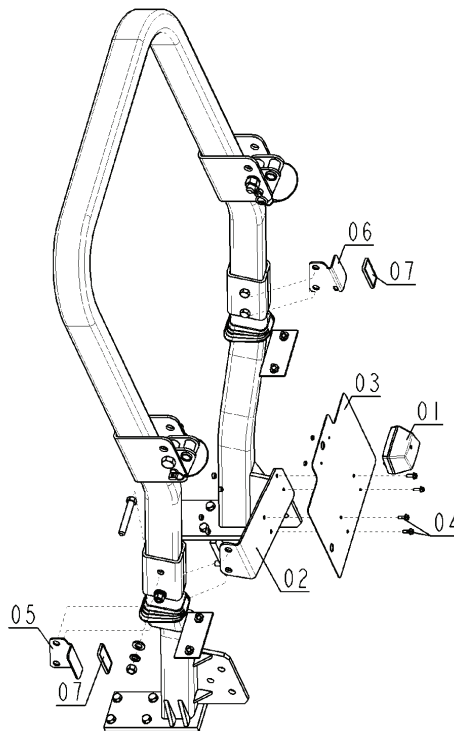
114.MID ROPS



No.	Part No.	Part	Name	(Q'ty)	SB22M	SB25 H	SB31 M	SB31H	Remarks
1	TA00018578C		FRAME, REAR	1	X	X	X	X	
2	FEC1020000B		FRAME, LOWER LH	1	X	X			
2	TA00039715B		FRAME, LOWER LH	1			X	X	

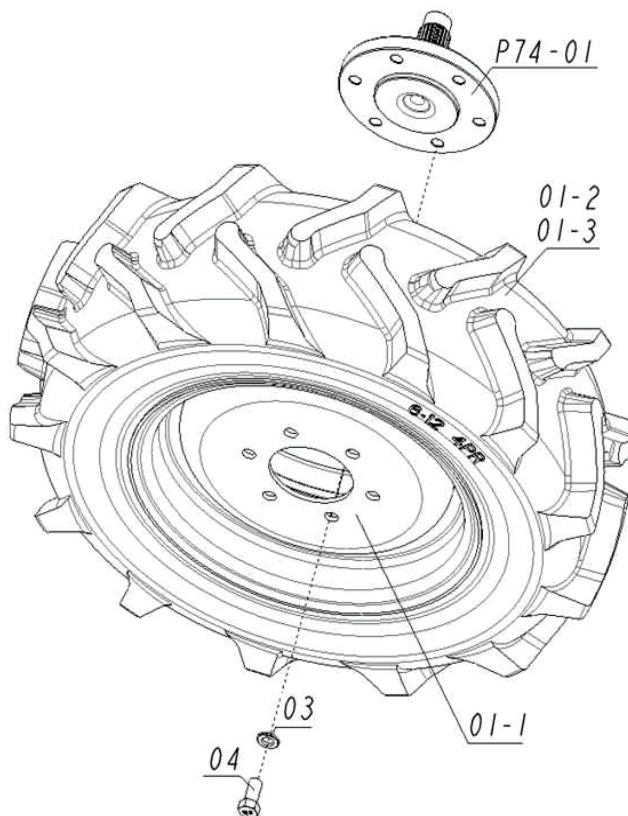
3	FEC1030000B	FRAME, LOWER RH	1	X	X			
3	TA00039716B	FRAME, LOWER RH	1			X	X	
4	26013-120352	BOLT	14	X	X	X	X	M12X35
5	FEB6060000A	BOLT	4	X	X	X	X	
6	FEB6050000A	CUSHION	4	X	X	X	X	
7	FEC1220000A	COVER	2	X	X	X	X	
8	26116-140902	BOLT	4	X	X	X	X	M14X90
9	26716-140002	NUT	4	X	X	X	X	M14
10	22217-140000	WASHER, SPRING	4	X	X	X	X	
11	22127-140000	WASHER	4	X	X	X	X	
12	TA00018584B	FRAME, LOWER LH	1	X	X	X	X	
13	TA00018585B	FRAME, LOWER RH	1	X	X	X	X	
15	26013-120402	BOLT	8	X	X	X	X	M12X40
16	TA00018576A	FRAME, UPPER	1	X	X	X	X	
17	NTF8400000A	PIN, ROPS	2	X	X	X	X	
18	26116-180902	BOLT	2	X	X	X	X	M18
19	22217-180000	WASHER, SPRING	2	X	X	X	X	
20	26347-180002	NUT	2	X	X	X	X	M18
21	TTE7010000A	PIN, SNAP	2	X	X	X	X	
22	TA00041773A	gas SPRING	1	X	X	X	X	

116. (NAME PLATE LAMP ASSY)



No.	Part No.	Part Name	(Q'ty)	SB22M	SB25 H	SB31 M	SB31H	Remarks
1	FBK182000EA	LAMP	1	X	X	X	X	EU
2	TA00016925D	BRACKET	1	X	X	X	X	
3	TA00018438A	BRACKET	1	X	X	X	X	EU
4	26106-060182	BOLT	4	X	X	X	X	EU
5	TA00016969A	BRACKET	1	X	X			AU
6	TA00017159A	BRACKET	1	X	X			AU
7	TA00041349A	REFLECTOR	4	X	X	X	X	EC
7	TA00041349A	REFLECTOR	2	X	X			AU
7	TA00041349A	REFLECTOR	4			X	X	AU

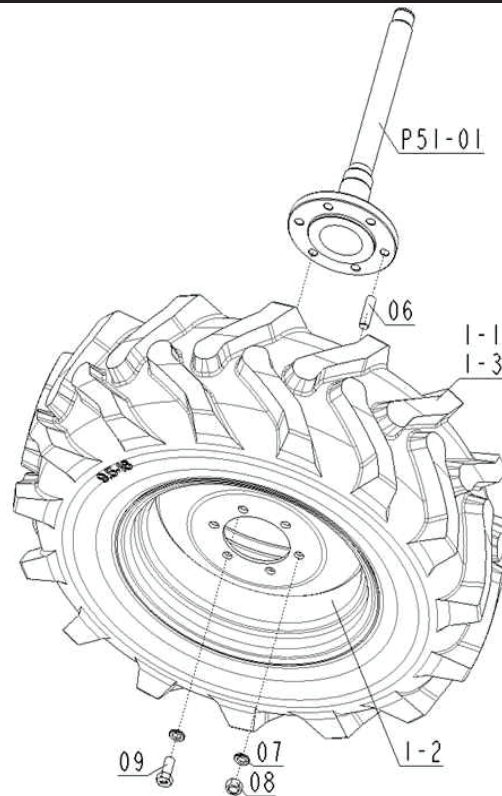
118. (FRONT WHEEL)



No.	Part No.	Part Name	(Q'ty)	SB22M	SB25 H	SB31 M	SB31H	Remarks
1	FEC4020000A	ASSY TIRE, LH	1	X	X	X	X	6-12
1-1	FEC4030000B	WHEEL	1	X	X	X	X	
1-2	FEC4040000B	TIRE	1	X	X	X	X	
1-3	FEC4050000A	TUBE	1	X	X	X	X	
2	FEC4060000A	ASSY TIRE, RH	1	X	X	X	X	6-12
2-1	FEC4030000B	WHEEL	1	X	X	X	X	
2-2	FEC4040000B	TIRE	1	X	X	X	X	
2-3	FEC4050000A	TUBE	1	X	X	X	X	
1-1	TA00019287A	WHEEL	2	X	X	X	X	7.00-12
1	TA00041047A	ASSY TIRE, LH	1			X	X	7-16
1-1	TA00040656A	WHEEL	1			X	X	
1-2	TL19020000B	TIRE	1			X	X	
1-3	TE19030000A9	TUBE	1			X	X	
2	TA00041048A	ASSY TIRE, RH	1			X	X	7-16
2-1	TA00040656A	WHEEL	1			X	X	
2-2	TL19020000B	TIRE	1			X	X	
2-3	TE19030000A9	TUBE	1			X	X	
1	TA00018648A	ASSY TIRE, LH	1	X	X	X	X	6.00-12

1-1	TA00018697A	WHEEL	1	X	X	X	X	
1-2	MB17010000B	TIRE	1	X	X	X	X	
1-3	MB17030000A	TUBE	1	X	X	X	X	
2	TA00018667A	ASSY TIRE, LH	1	X	X	X	X	6.00-12
2-1	TA00018697A	WHEEL	1	X	X	X	X	
2-2	MB17010000B	TIRE	1	X	X	X	X	
2-3	MB17030000A	TUBE	1	X	X	X	X	
3	22217-120000	WASHER	12	X	X	X	X	
4	FEC4090000A	BOLT	12	X	X	X	X	10.9T

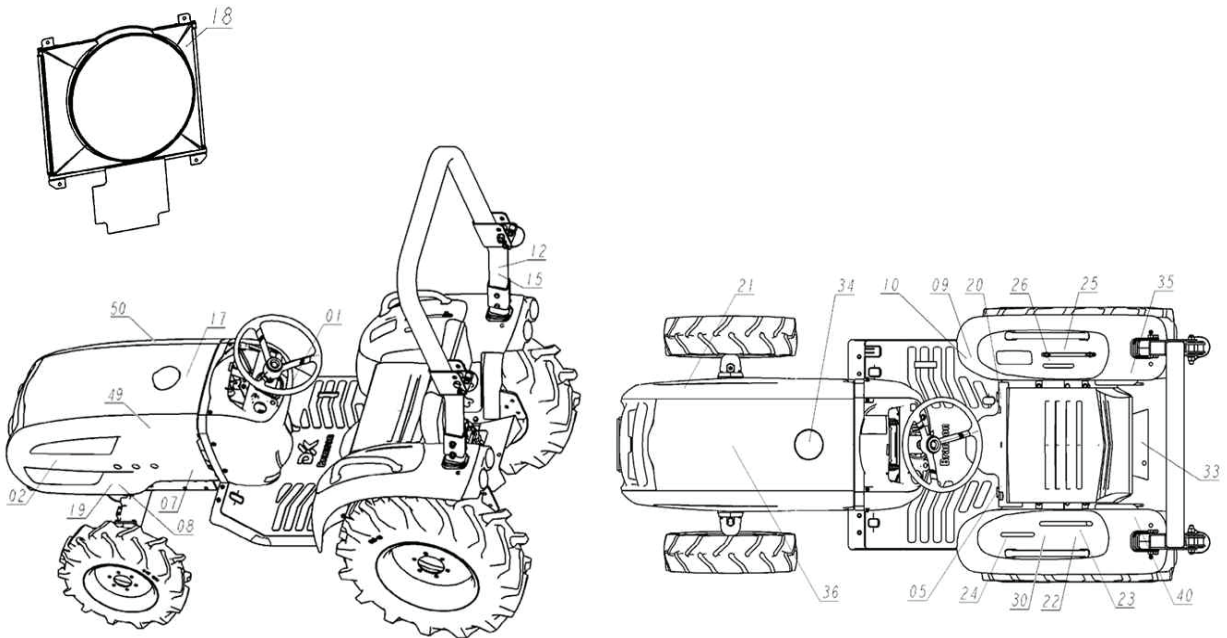
119. (REAR WHEEL)



No.	Part No.	Part Name	(Q'ty)	SB22M	SB25 H	SB31 M	SB31H	Remarks
1	TC63050000A	ASSY TIRE, LH	1	X	X	X	X	9.5-16
1-1	TC63050201B	TIRE	1	X	X	X	X	
1-2	TC63050100A	WHEEL	1	X	X	X	X	
1-3	TC63050202A	TUBE	1	X	X	X	X	
2	TC63060000A	ASSY TIRE, RH	1	X	X	X	X	9.5-16
2-1	TC63050201B	TIRE	1	X	X	X	X	
2-2	TC63050100A	WHEEL	1	X	X	X	X	
2-3	TC63050202A	TUBE	1	X	X	X	X	
1-2	TA00018665B	WHEEL	2	X	X	X	X	10.5-18
1	TA00041049A	ASSY TIRE, LH	1			X	X	11.2-20
1-1	FT24230011B	TIRE	1			X	X	
1-2	TA00040657A	WHEEL	1			X	X	
1-3	FT24230021A9	TUBE	1			X	X	
2	TA00041050A	ASSY TIRE, RH	1			X	X	
2-1	FT24230011B	TIRE	1			X	X	
2-2	TA00040657A	WHEEL	1			X	X	
2-3	FT24230021A9	TUBE	1			X	X	
1	TA00018657A	ASSY TIRE, LH	1	X	X	X	X	9.5-18
1-1	TT24420000B	TIRE	1	X	X	X	X	
1-2	TA00018665B	WHEEL	1	X	X	X	X	
1-3	TT24430000A	TUBE	1	X	X	X	X	
2	TA00018658A	ASSY TIRE, LH	1	X	X	X	X	9.5-18
2-1	TT24420000B	TIRE	1	X	X	X	X	
2-2	TA00018665B	WHEEL	1	X	X	X	X	
2-3	TT24430000A	TUBE	1	X	X	X	X	
6	26236-160282	BOLT	4	X	X	X	X	

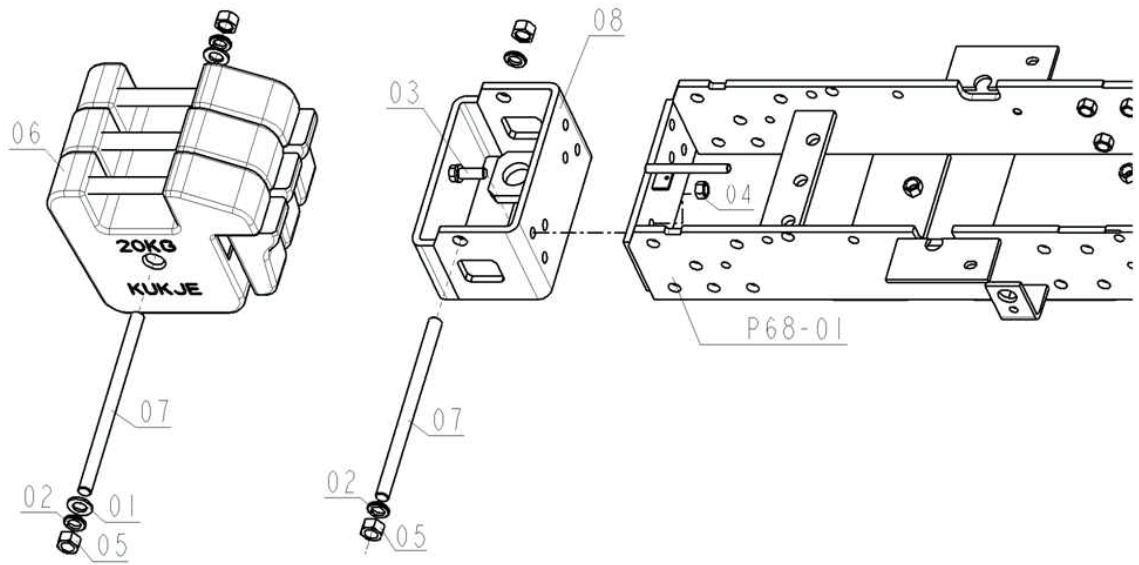
7	22217-160000	WASHER, SPRING	12	X	X	X	X	
8	26736-160002	NUT	4	X	X	X	X	
9	FT24400000A	BOLT	8	X	X	X	X	10.9T

120. (DECAL)



No.	Part No.	Part Name	(Q'ty)	SB22M	SB25 H	SB31 M	SB31H	Remarks
1	TZE4330000B4	MARK, MAIN SWITCH	1	X	X	X	X	
2	TA00057466A	MARK	2	X				
2	TA00057467A	MARK	2		X			
2	TA00057468A	MARK	2			X		
2	TA00057469A	MARK	2				X	
5	TZE4150000A4	LABEL, PARKING	1	X	X	X	X	
8	TZE5110000B4	LABEL, START CAUTION	1	X	X	X	X	
9	TA00016518A	LABEL, SAFETY	1	X	X	X	X	
10	TA00016517A	LABEL, SAFETY	1	X	X	X	X	
11	NTE5220000C4	LABEL, SAFETY	1	X	X	X	X	
12	TZE5170000B3	LABEL, ROPS WARNING	1	X	X	X	X	
12	TA00016930B	LABEL, ROPS	1	X	X			
12	TA00019280B	LABEL, ROPS FRONT	1	X	X			
12	TA00039942A	LABEL, ROPS	1			X	X	
12	TA00042105A	LABEL, ROPS FRONT	1			X	X	
15	NTE5210000C4	LABEL, PTO	1	X	X	X	X	
17	TZE4190000C4	LABEL, FILLER CAUTION	1	X	X	X	X	
18	TZE5180000C4	LABEL, FAN WARNING	1	X	X	X	X	
19	TZE5130000C4	LABEL, MUFFLER	1	X	X	X	X	
20	TZE4130000B4	LABEL, PEDAL	1	X	X	X	X	
21	TA00051907B	NAME PLATE	1	X	X	X	X	
49	TA00057416A	LABEL,SB(LH)	1	X	X	X	X	
50	TA00057417A	LABEL DB(RH)	1	X	X	X	X	

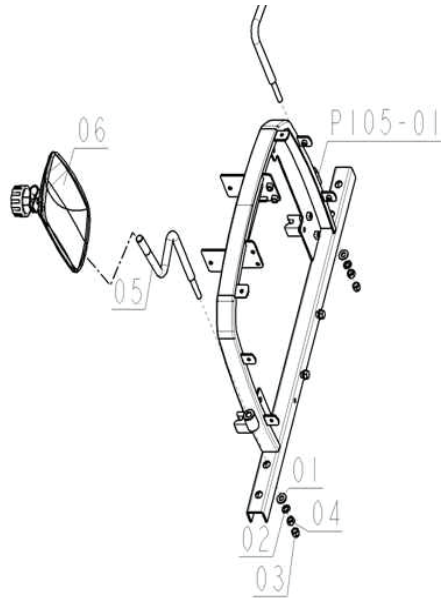
121-1. (BALLAST WEIGHT)



No.	Part No.	Part Name	(Q'ty)	SB22M	SB25 H	SB31 M	SB31H	Remarks
1	22137-160000	WASHER	2	X	X	X	X	
2	22217-160000	WASHER	4	X	X	X	X	
3	26013-120352	BOLT	6	X	X	X	X	M12X35
4	26716-120002	NUT	6	X	X	X	X	M12
5	26716-160002	NUT	4	X	X	X	X	M16
6	TTG0010000C2	WEIGHT	5	X	X	X	X	
7	TA00016911A	BOLT	2	X	X	X	X	
8	TA00016906A	FRONT HITCH ASS'Y	1	X	X	X	X	

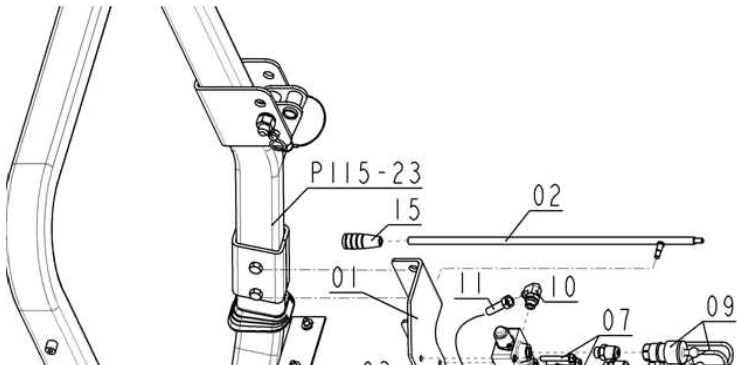
122. (REAR VIEW MIRROR)

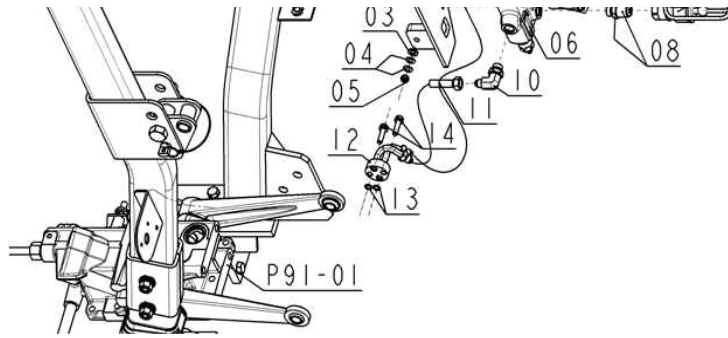




No.	Part No.	Part Name	(Q'ty)	SB22M	SB25 H	SB31 M	SB31H	Remarks
1	22137-100000	WASHER	2	X	X	X	X	
2	22217-100000	WASHER	2	X	X	X	X	
3	26657-100002	NUT	2	X	X	X	X	
4	26716-100002	NUT	2	X	X	X	X	M10
5	NTD716E000C3	REAR VIEW MIRROR STAY	2	X	X	X	X	
6	TCF5170000B3	REAR VIEW MIRROR	2	X	X	X	X	

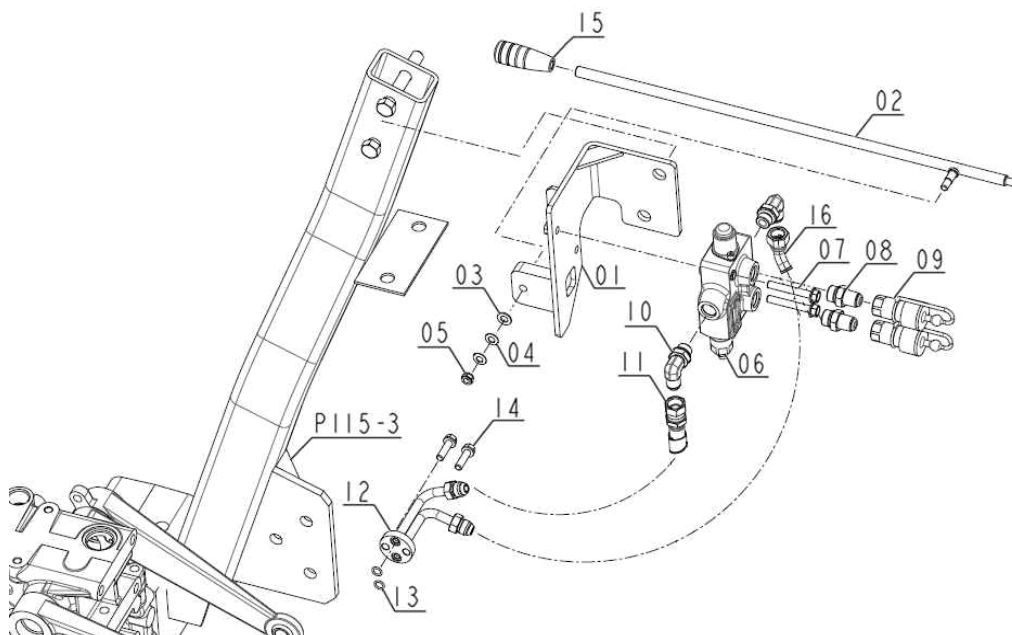
123. (SCV 2PORT)

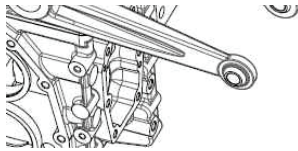




No.	Part No.	Part Name	(Q'ty)	SB22M	SB25 H	SB31 M	SB31H	Remarks
1	TA00021030B	BRACKET, SCV	1	X	X	X	X	
2	TA00021033A	LEVER, SCV	1	X	X	X	X	
3	22127-080000	WASHER	1	X	X	X	X	
4	RR66240000A4	SPRING	2	X	X	X	X	
5	26346-080002	NUT	1	X	X	X	X	M8
6	TA00001290A	SCV	1	X	X	X	X	
7	26106-080552	BOLT	2	X	X	X	X	M8X55
8	FBA3060000A	JOINT	2	X	X	X	X	
9	FBA3150000A	JOINT ARM	2	X	X	X	X	
9	FBA3150000A	JOINT ARM	2	X	X	X	X	
10	CEE4050000A4	ELBOW	2	X	X	X	X	
11	TA00022932B	HOSE	2	X	X	X	X	
12	TA00019291D	ASSY, CAP	1	X	X	X	X	
13	24311-000090	O-RING	2	X	X	X	X	
14	26013-080302	BOLT	2	X	X	X	X	M8X30
15	VD05460000A4	GRIP	1	X	X	X	X	

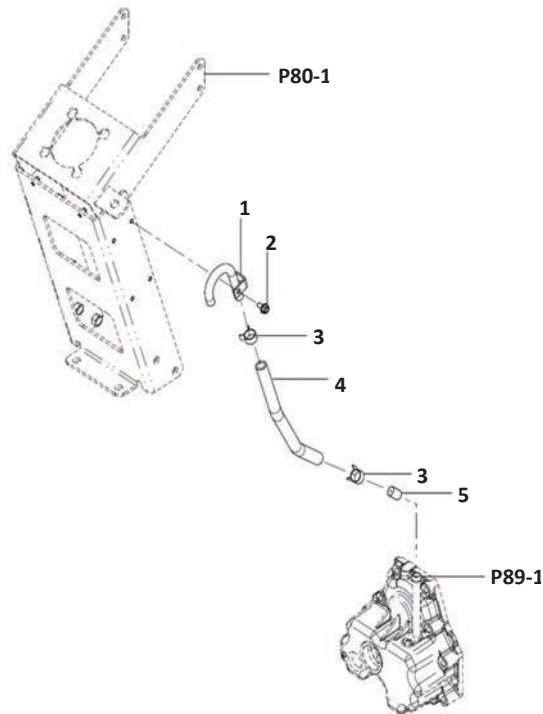
123. (SCV 2PORT)- AU





No.	Part No.	Part Name	(Q'ty)	SB22M	SB25 H	SB31 M	SB31H	Remarks
1	TA00043777B	BRACKET, SCV	1	X	X			
1	TA00050809A	BRACKET, SCV_3100AU	1			X	X	
2	TA00052422A	LEVER, SCV	1	X	X	X	X	
3	22127-080000	WASHER	1	X	X	X	X	
4	RR66240000A4	SPRING	2	X	X	X	X	
5	26346-080002	NUT	1	X	X	X	X	
6	TA00037849A	VALVE	1	X	X	X	X	
7	26106-080552	BOLT	2	X	X	X	X	
8	FBA3060000A	JOINT	2	X	X	X	X	
9	FBA3150000A	JOINT ARM	2	X	X	X	X	
9	FBA3150000A	JOINT ARM	2	X	X	X	X	
10	CEE4050000A4	ELBOW	2	X	X	X	X	
11	TA00022932B	HOSE	1	X	X	X	X	
12	TA00019291D	ASSY, CAP	1	X	X	X	X	
13	24311-000090	O-RING	2	X	X	X	X	
14	26013-080302	BOLT	2	X	X	X	X	
15	VD05460000A4	GRIP	1	X	X	X	X	
16	TA00046222A	HOSE	1	X	X			
16	NTJ0600000A	HOSE	1			X	X	

124.



No.	Part No.	Part Name	(Q'ty)	SB22M	SB25 H	SB31 M	SB31H	Remarks
1	TA00053196A	ASS'Y, AIR BREATHER	1		X		X	
2	26106-060122	BOLT, FLANGE	1		X		X	
3	23080-016000	CLAMP	2		X		X	

