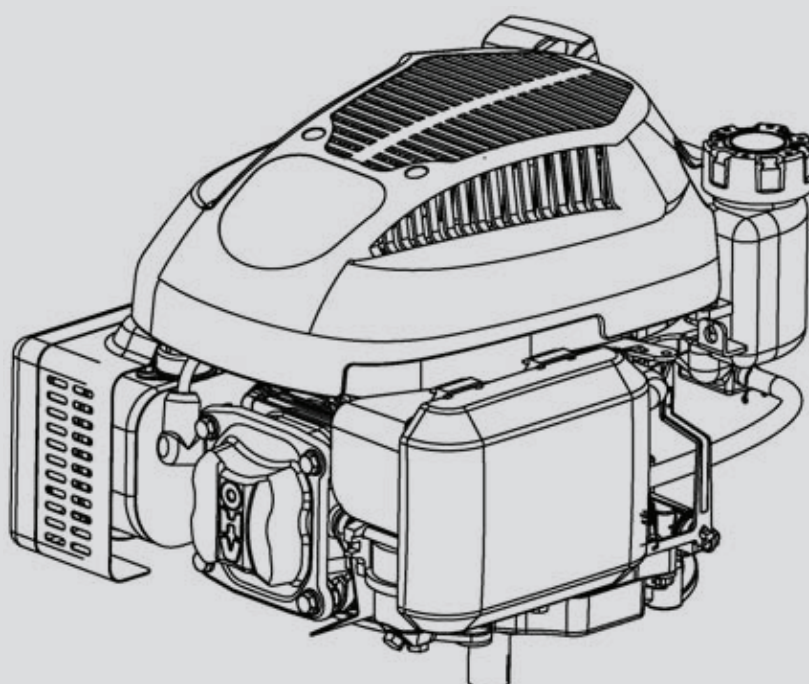


CAIMAN



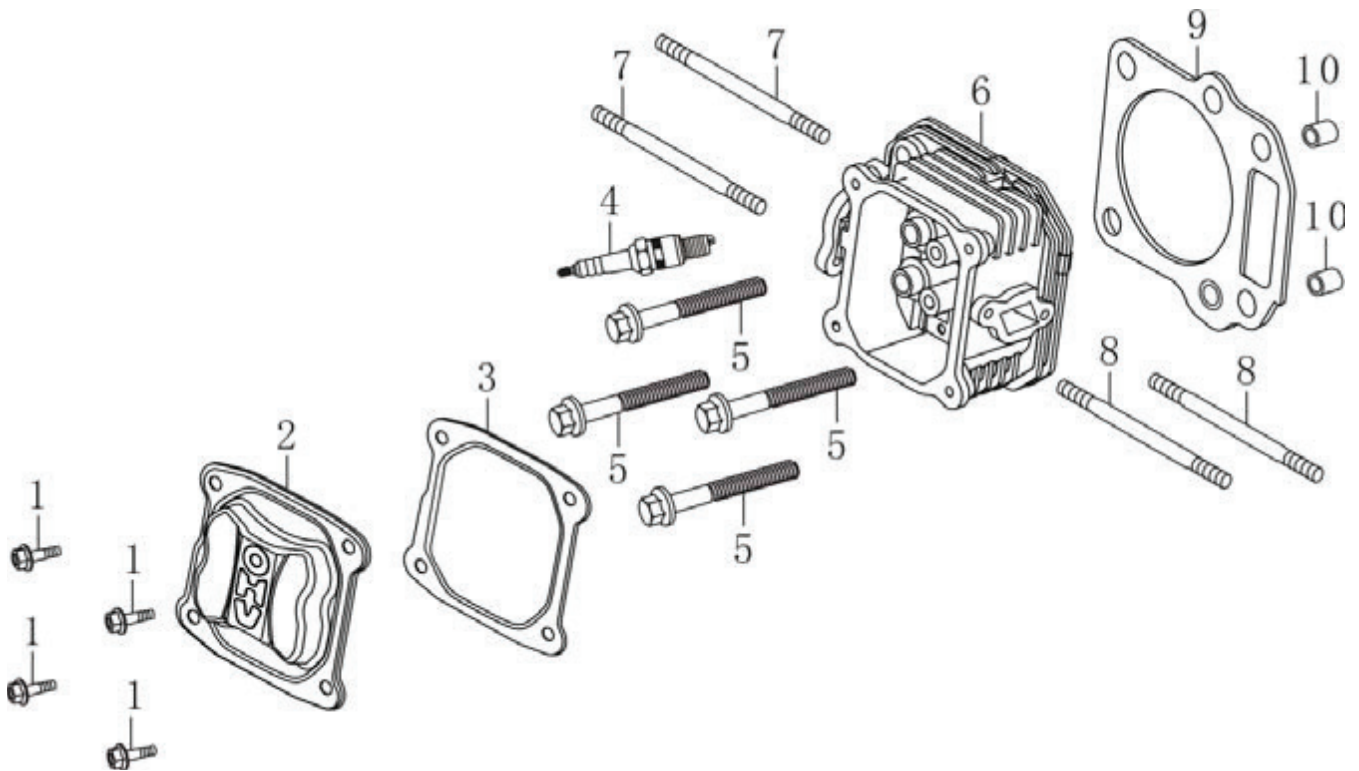
GREEN ENGINE

**4-тактный двигатель
Caiman Green Engine 196CC**



CAIMAN

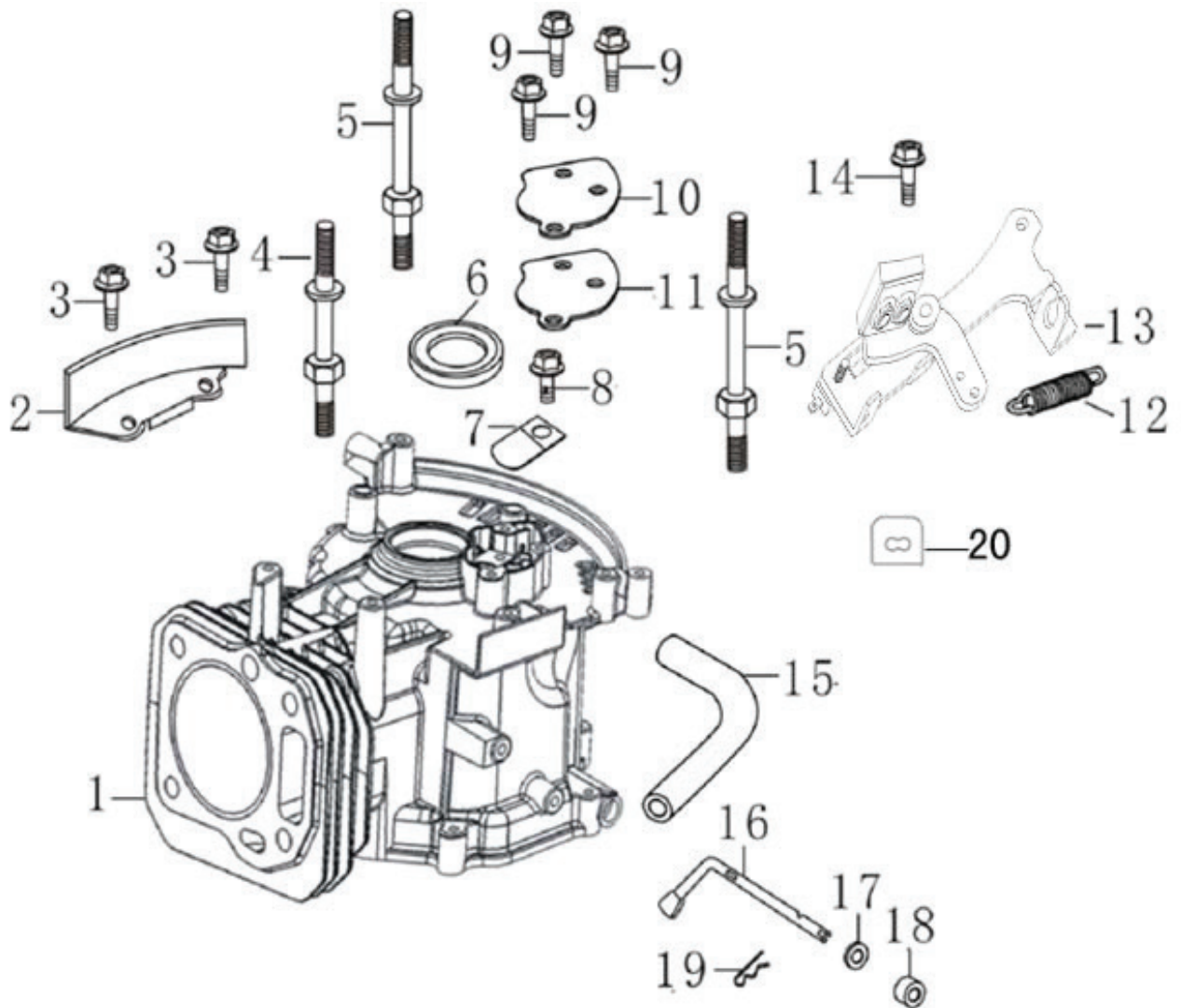
CYLINDER HEAD



N°	Description	Part Number	Qty (UOM)
1	Hexagon bolt with flange	U065-FA001	4
2	Cylinder head cover	U070-FA001	1
3	Gasket for cylinder head cover	U065-FA003	1
4	Spark plug	U065-FA004	1
5	Hexagon bolt with flange	U070-FA002	4
6	Cylinder head	U070-FA003	1
7	Stud	U065-FA008	2
8	Stud	U070-FA004	2
9	Gasket for cylinder head	U070-FA005	1
10	Ocation pin	U065-FA010	2

CAIMAN

CRANK CASE



CAIMAN

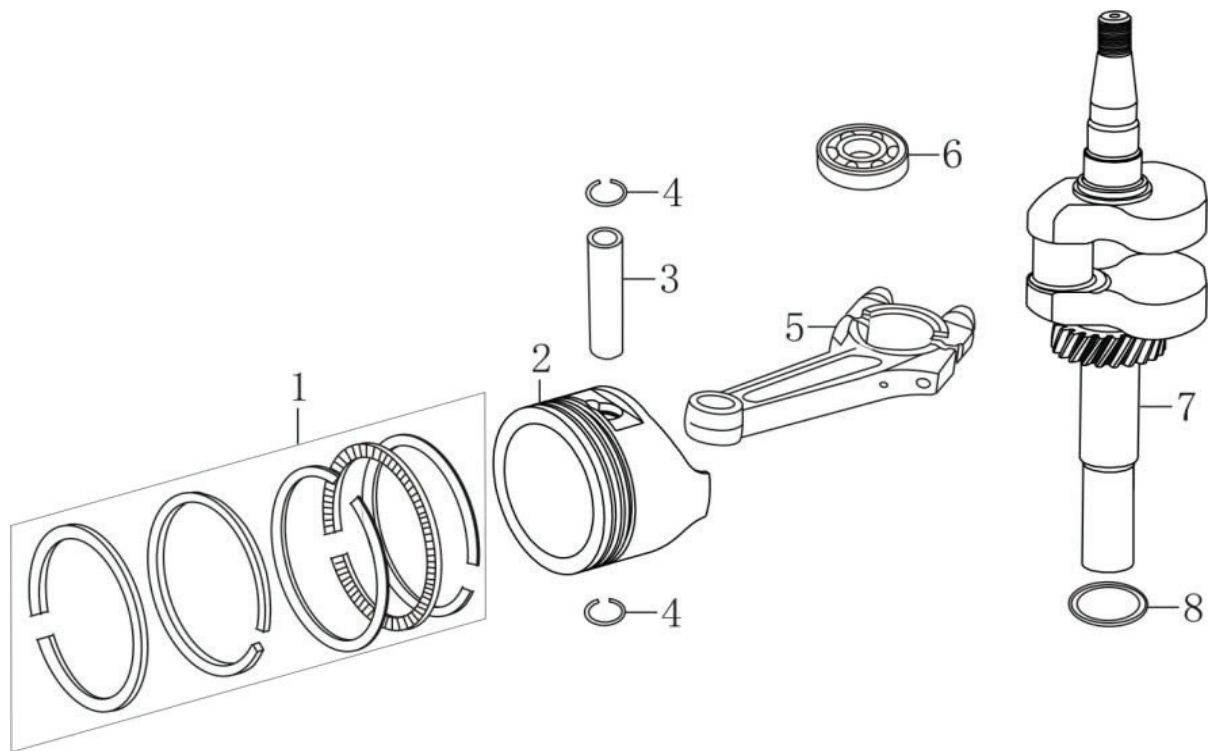
N°	Description	Part Number	Qty (UOM)
1	Crankcase body	U070-FA006	1
2	Side plate	U065-FA012	1
3	Hexagon bolt with flange	U065-FA013	2
4	Stay stud	U070-FA007	1
5	Stay stud	U070-FA008	2
6	Oil seal	U065-FA016	1
7	Leaf valve	U065-FA017	1
8	Hexagon bolt with flange	U065-FA018	1
9	Hexagon bolt with flange	U065-FA019	3
10	CAP, BREATHER CHAMBER	U070-FA009	1
11	PACKING, BREATHER CHAMBER	U070-FA010	1
12	Tension spring	U065-FA022	1
13	Engine brake	U070-FA055	1
14	Hexagon bolt with flange	U065-FA024	1
15	Breather tube	U070-FA013	1
16	Speed regulating arm	U065-FA026	1
17	Flat washer	U065-FA027	1
18	Oil seal	U065-FA028	1
19	Pin clip	U065-FA029	1

CAIMAN

N°	Description	Part Number	Qty (UOM)
1	Hexagon bolt with flange	U070-FA014	6
2	Oil seal	U065-FA033	1
3	Output shaft	U070-FA015	1
4	Oil seal	U070-FA016	1
5	Flat washer	U070-FA017	1
6	Worm gear	U070-FA018	1
7	Pin clip	U070-FA019	1
8	Flat washer	U070-FA020	1
9	Crankcase cover	U070-FA021	1
10	Sealing plug screw	U065-FA041	1
11	Flat washer	U065-FA042	1
12	Ocation pin	U065-FA034	2
13	Components of governor gear	U070-FA022	1
14	Hexagon bolt with flange	U065-FA035	1
15	Crankcase cover gasket	U070-FA023	1
16	Ocation pin	U065-FA039	2
17	Engine oil return block	U065-FA040	1
18	Oil rule combination	U065-FA043	1
19	Hexagon bolt with flange	U065-FA044	1

CAIMAN

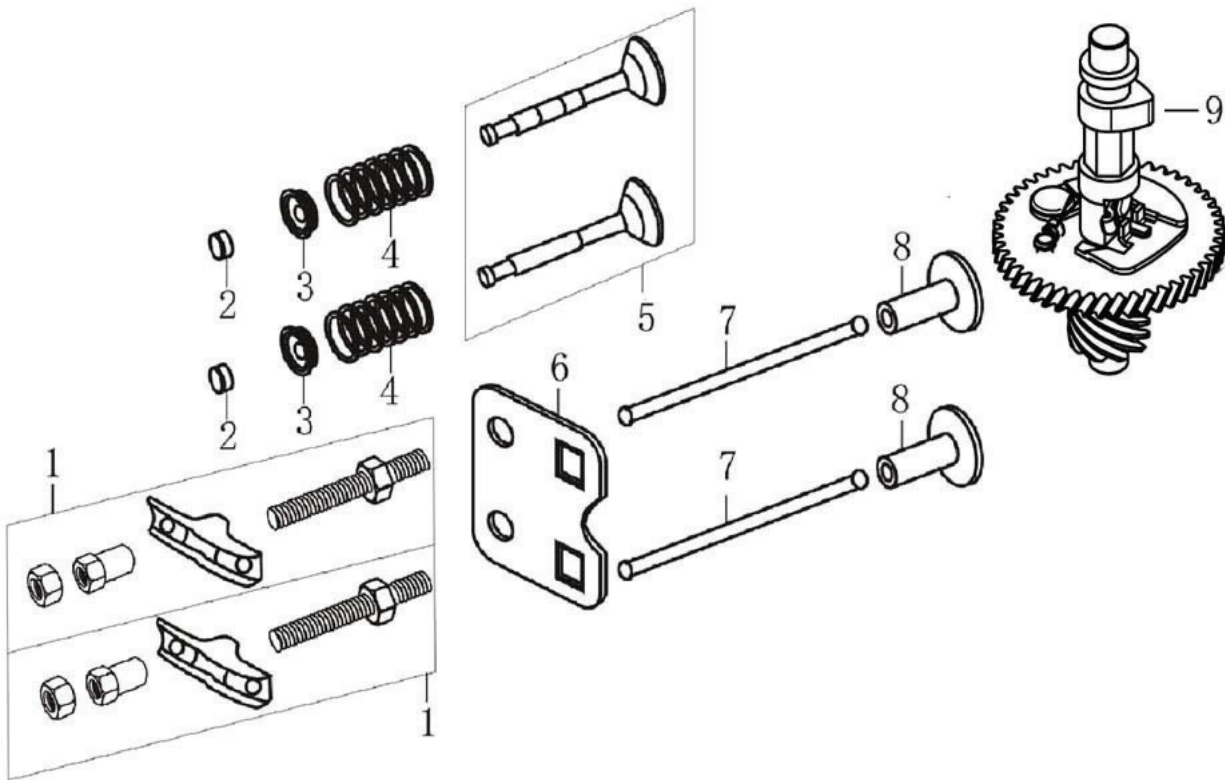
CRANKSHAFT/PISTON



N°	Description	Part Number	Qty (UOM)
1	Piston ring combination	U070-FA024	1
2	Piston	U070-FA025	1
3	Piston pin	U065-FA047	1
4	Steel cable baffle ring	U065-FA048	2
5	Connecting rod	U070-FA026	1
6	Bearing	U065-FA050	1
7	Crankshaft	U070-FA027	1
8	Flat washer	U065-FA052	1

CAIMAN

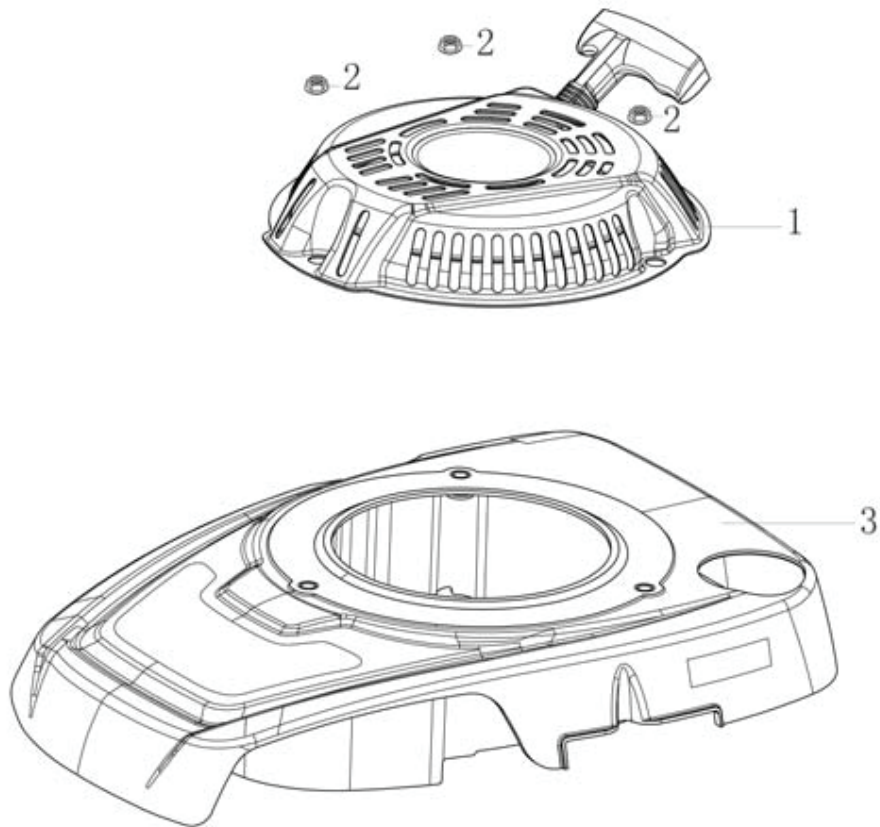
CAMSHAFT



N°	Description	Part Number	Qty (UOM)
1	Valve rocker combination	U065-FA053	2
2	Valve adjustment cap	U070-FA028	2
3	Retainer, valve spring	U070-FA029	2
4	Inner spring of valve	U065-FA055	2
5	Valve Kit	U070-FA030	1
6	Plate, push rod guide	U070-FA031	1
7	Push rod	U070-FA032	2
8	Lifter, Valve	U065-FA059	2
9	Camshaft assy	U070-FA033	1

CAIMAN

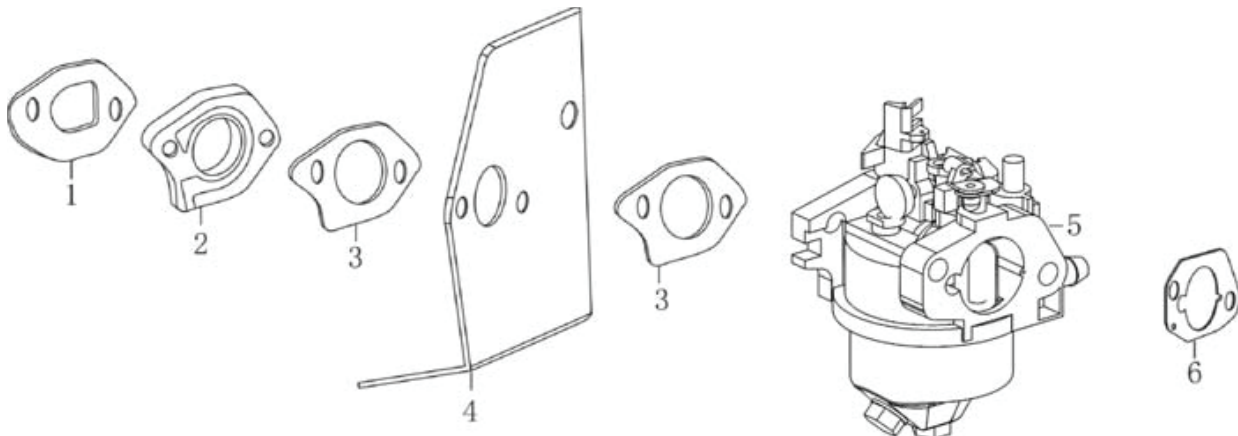
STARTER



N°	Description	Part Number	Qty (UOM)
1	Manual starting components	U070-FA034	1
2	Hexagon nut with flange	U065-FA065	3
3	Fan cover comp.	U070-FA035	1

CAIMAN

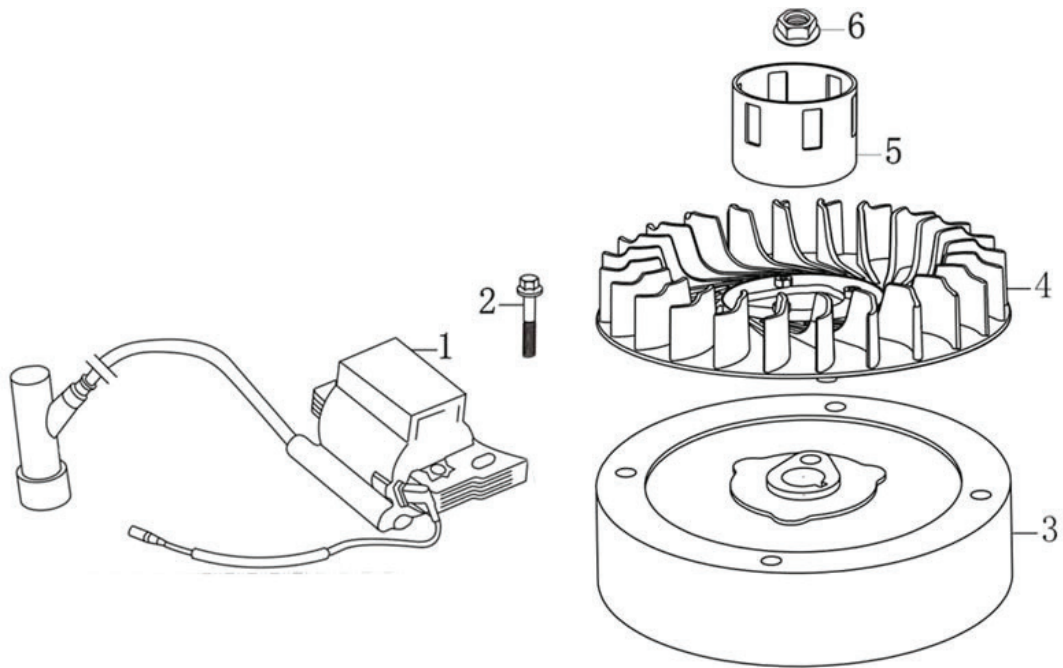
CARBURETOR



N°	Description	Part Number	Qty (UOM)
1	Carburetor gasket	U070-FA036	1
2	Heat insulating pad for carburetor	U070-FA037	1
3	Carburetor gasket	U065-FA076	2
4	Heat insulating plate for carburetor	U065-FA077	1
5	Carburetor	U070-FA056	1
6	Carburetor gasket	U070-FA039	1

CAIMAN

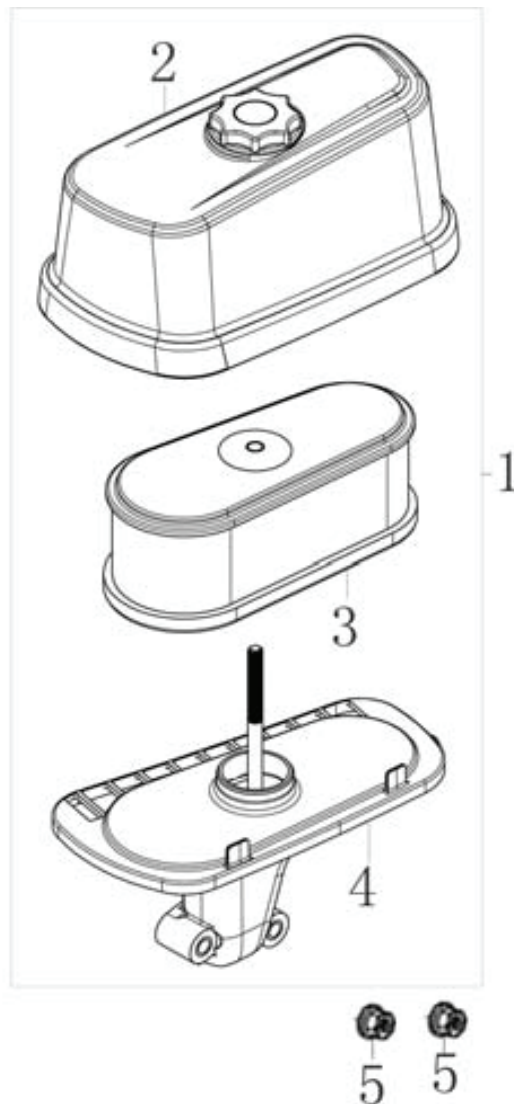
FLYWHEEL



N°	Description	Part Number	Qty (UOM)
1	COIL ASSY., IGNNTION	U065-FA080	1
2	Hexagon bolt with flange	U065-FA024	1
3	FLYWHEEL COMP	U065-FA082	1
4	Impeller	U065-FA083	1
5	Starting disc	U065-FA084	1
6	Hexagon nut with flange	U065-FA085	1

CAIMAN

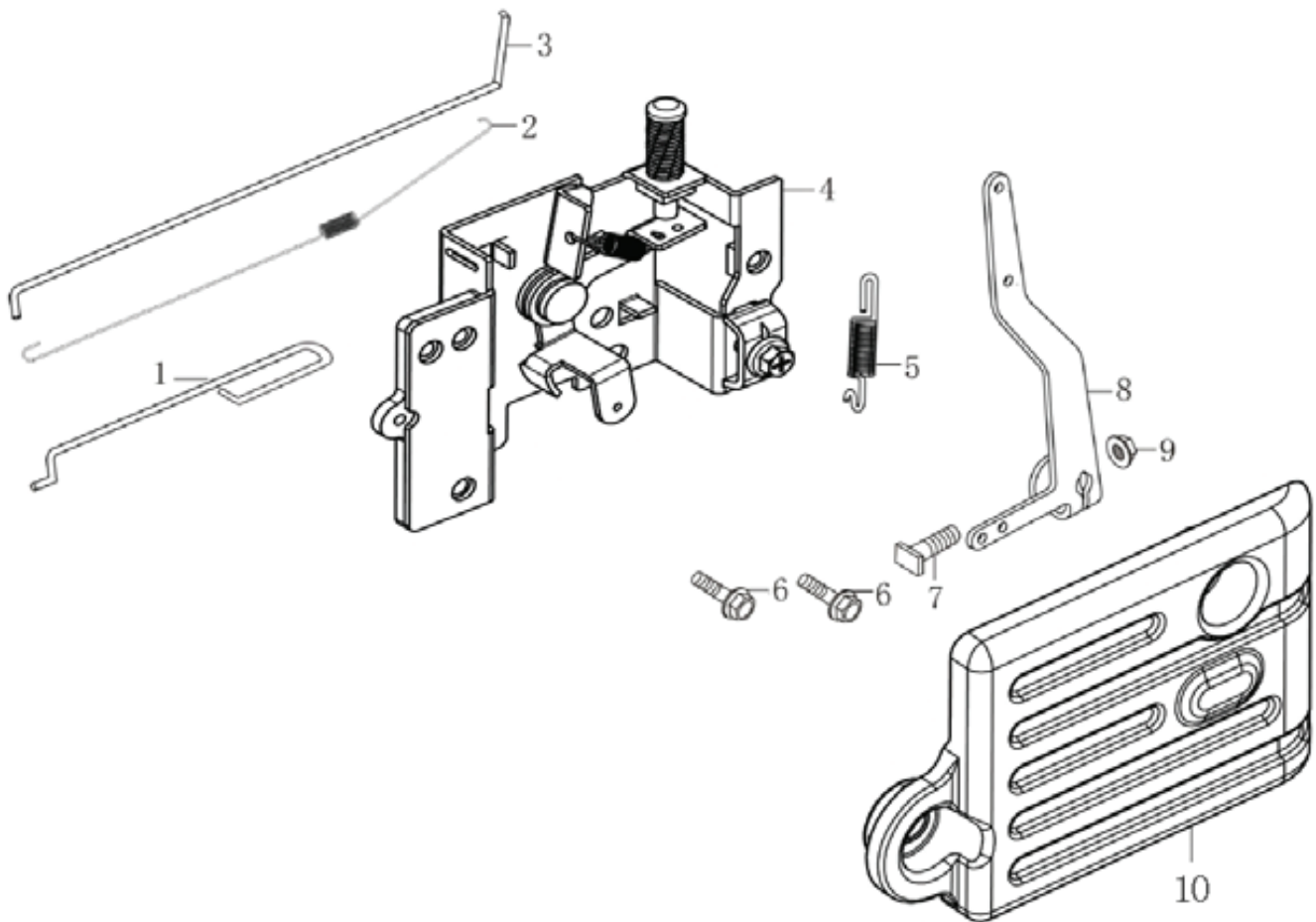
AIR CLEANER



N°	Description	Part Number	Qty (UOM)
1	Air filter seat	U070-FA041	1
2	Air filter casing cover	U070-FA042	1
3	Air filter element	U070-FA043	1
	Air filter element	U070-FA044	1
4	Air filter seat	U070-FA045	1
5	Hexagon nut with flange	U065-FA065	2

CAIMAN

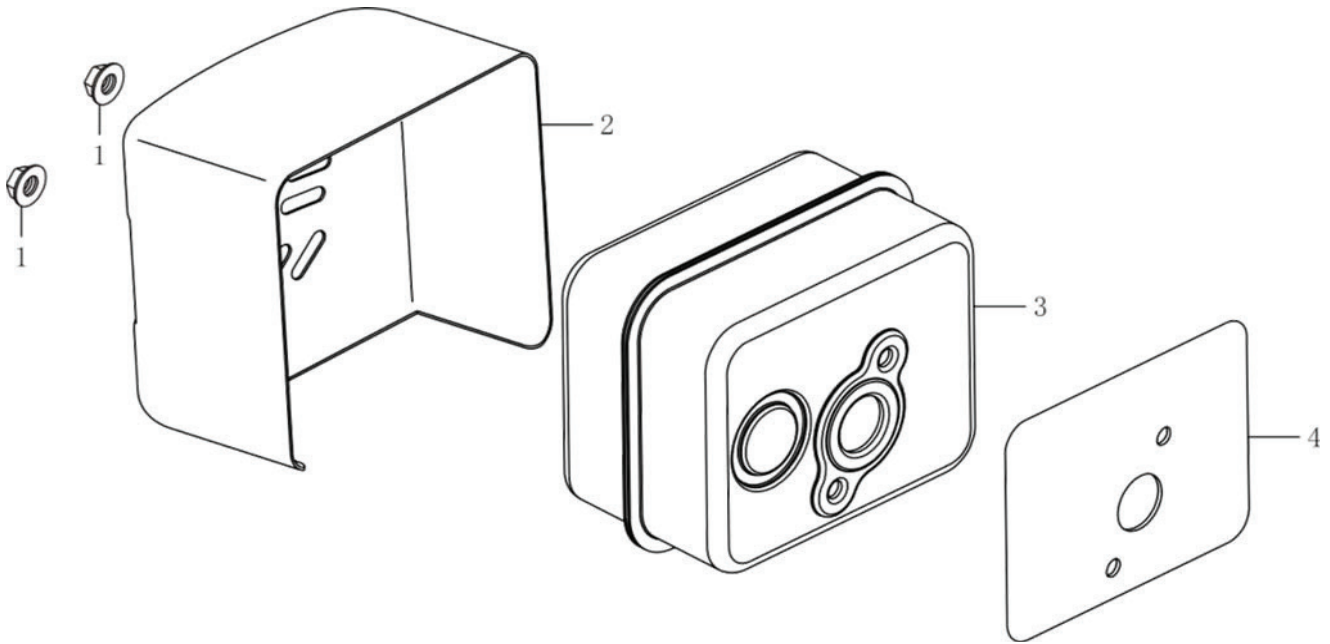
CONTROL SYSTEM



N°	Description	Part Number	Qty (UOM)
1	Choke valve pull rod	U070-FA046	1
2	Throttle return spring	U070-FA047	1
3	Throttle rod	U070-FA048	1
4	Throttle handle combination	U065-FA095	1
5	Governing spring	U065-FA096	1
6	Hexagon bolt with flange	U065-FA097	2
7	Square head set screw with flat point	U065-FA098	1
8	Speed regulating bracket	U070-FA049	1
9	Hexagon nut with flange	U065-FA100	1
10	Guard plate for throttle combination	U070-FA050	1

CAIMAN

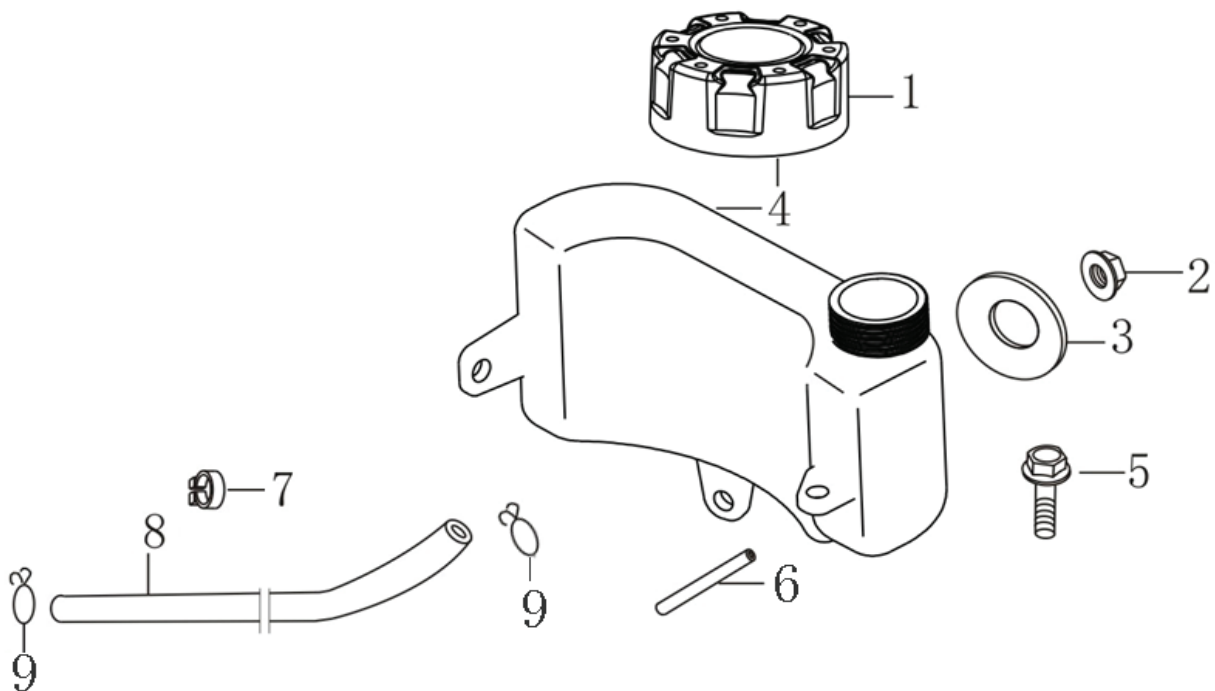
MUFFLER



N°	Description	Part Number	Qty (UOM)
1	Hexagon nut with flange	U065-FA100	2
2	Muffler guard shield	U070-FA052	1
3	Muffler	U070-FA053	1
4	Muffler gasket	U065-FA105	1

CAIMAN

FUEL TANK



N°	Description	Part Number	Qty (UOM)
1	Tank cover	U065-FA106	1
2	Hexagon nut with flange	U065-FA100	1
3	Flat washer	U065-FA108	1
4	Tank	U070-FA054	1
5	Hexagon bolt with flange	U065-FA013	1
6	Fuel filter	U065-FA112	1
7	Location wire nail	U065-FA113	1
8	Oil tube	U070-FA057	1
9	Pipe clip	U065-FA115	2