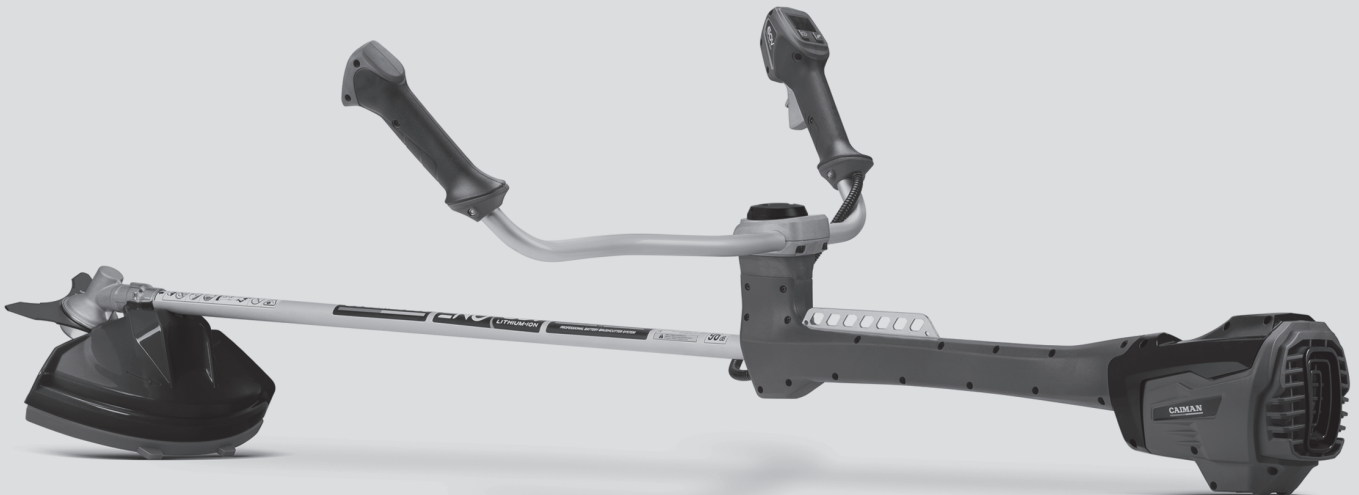


CAIMAN

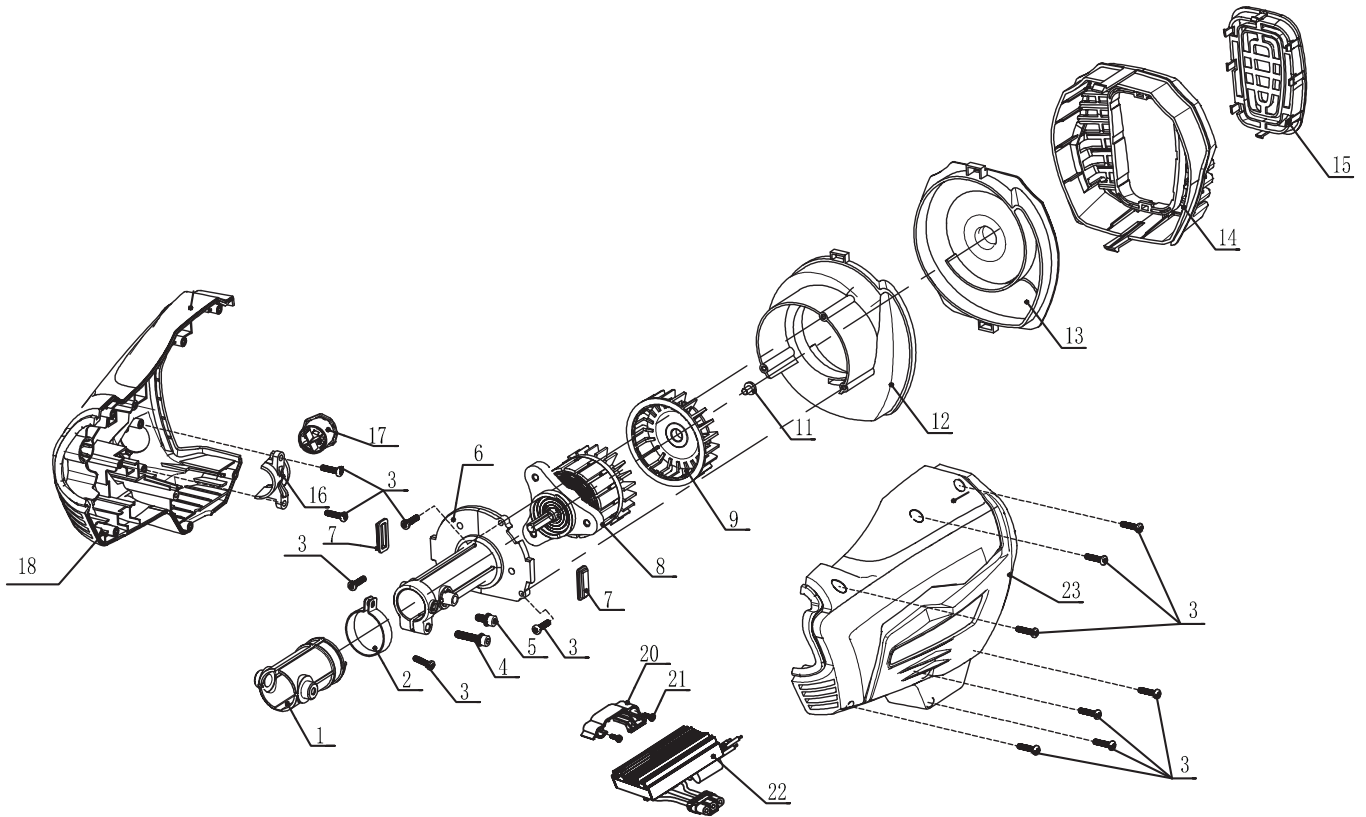
Триммер аккумуляторный **ENO ВСТХі**



CAIMAN

Bike handle brushcutter ENO BCTXi

Engine



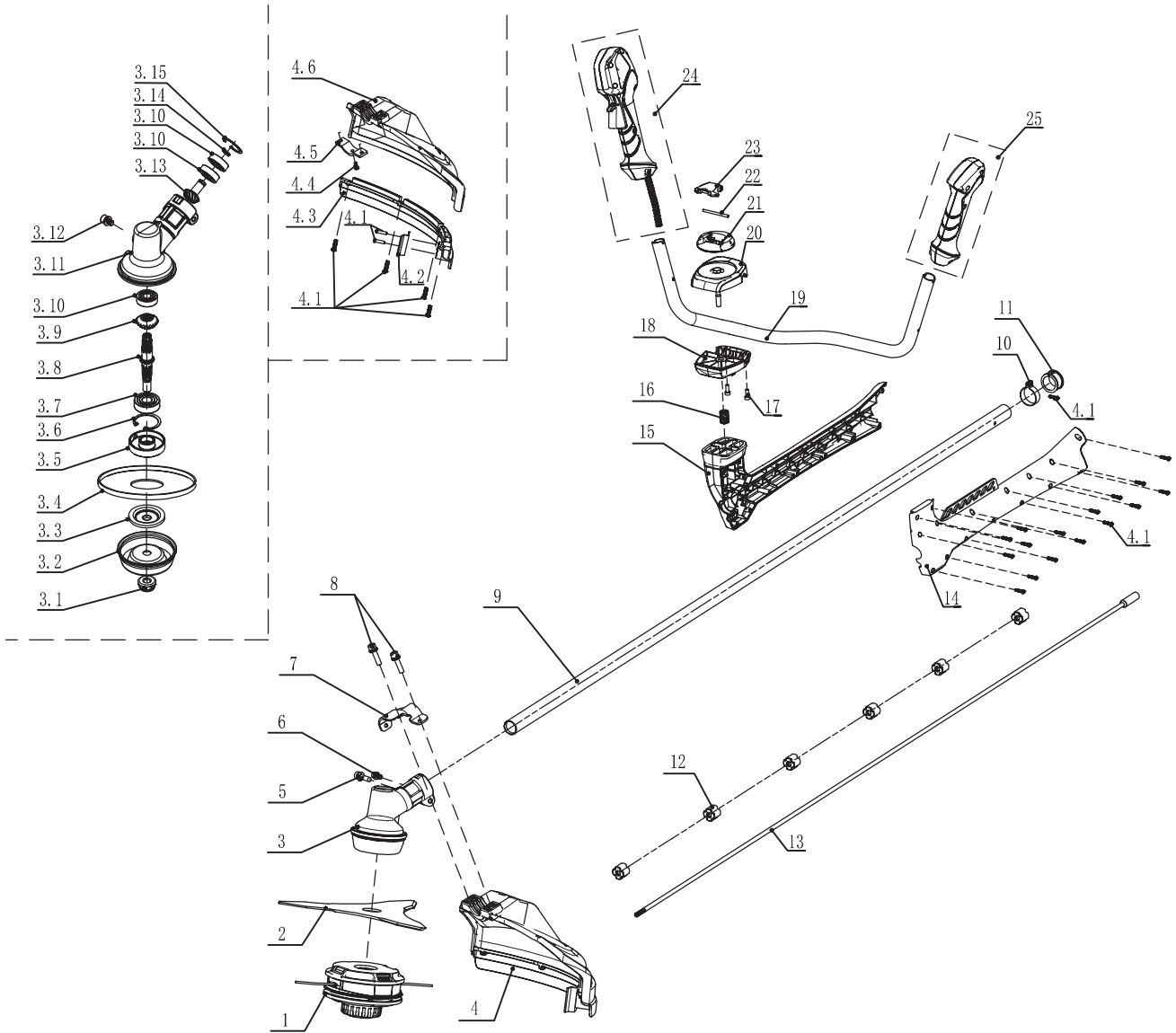
CAIMAN

Engine

| N° | Description | Part Number | Qty (UOM) |
|--------|-------------------------------------|-------------|-----------|
| 1 | Aluminum tube shock absorber sleeve | CELX-0001 | 1 |
| 2 | ∅36 hoop | CELI-0002 | 1 |
| 3 | ST3.9x16-T20 screw | CEBV-0016 | 13 |
| 4 | M5x25 screw | CELI-0004 | 1 |
| 5 | M5x20 screw | CELI-0005 | 1 |
| 6 | Aluminum tube fixing base | CELX-0007 | 1 |
| 7 | Motor damping ring | CELX-0008 | 2 |
| 8 | Motor | CELX-0009 | 1 |
| 9 | Fan | CELX-0010 | 1 |
| 11 | M5x12-T20 cross head screws | CELX-0011 | 1 |
| 12 | Fan cover | CELX-0012 | 1 |
| 13 | Fan cover housing | CELX-0013 | 1 |
| 14 | Air outlet cover | CELX-0014 | 1 |
| 15 | Air outlet decorating plate | CELX-0015 | 1 |
| 16 | Connector plate of 4-cores | CELX-0016 | 1 |
| 17 | Power connector socket | CEBV-0039 | 1 |
| 18 | Right housing | CELX-0022 | 1 |
| 20 | Terminal fixing base | CELI-0009 | 1 |
| 21 | ST2.9x12-F screw | CELI-0008 | 2 |
| 22 | Controller | CELI-0010 | 1 |
| 23 | Left housing | CELX-0023 | 1 |
| #18#23 | Kit housing | CELX-0083 | 1 |
| #17#22 | Kit Controller | CELX-0082 | 1 |

CAIMAN

Body



CAIMAN

Body

| N° | Description | Part Number | Qty (UOM) |
|------|---|-------------|-----------|
| 1 | Nylon head | CELX-0024 | 1 |
| 2 | Sword shape 3T blade | CELX-0025 | 1 |
| 3 | Gearbox | CELX-0026 | 1 |
| 3,1 | M10x1.25 screw | CELX-0093 | 1 |
| 3,2 | Lower protection cover | CELX-0092 | 1 |
| 3,3 | Blade fixing plate | CELX-0091 | 1 |
| 3,4 | Gear box blade clamp | CELX-0028 | 1 |
| 3,5 | Gear box blade flange | CELX-0029 | 1 |
| 3,6 | Retaining ring for hole 32 | CELX-0030 | 1 |
| 3,7 | Bearing PT6201RST | CELX-0031 | 1 |
| 3,8 | Gear spline shaft | CELX-0032 | 1 |
| 3,9 | Big gear | CELX-0033 | 1 |
| 3,10 | Bearing 6000-2Z | CELX-0034 | 3 |
| 3,11 | Gearbox housing | CELX-0035 | 1 |
| 3,12 | M6x5 screw | CELX-0036 | 1 |
| 3,13 | Small gear | CELX-0037 | 1 |
| 3,14 | Retaining ring 10 | CELX-0038 | 1 |
| 3,15 | Retaining ring for hole 26 | CELX-0039 | 1 |
| 4 | Plastic protection guard assy | CELX-0040 | 1 |
| 4,1 | ST3.9x16-T20 screw | CEBV-0016 | 17 |
| 4,2 | Nylon line cutting blade | CELX-0042 | 1 |
| 4,3 | Plastic protection guard lower part | CELX-0043 | 1 |
| 4,4 | ST4.2x10-H-F screw | CELX-0044 | 1 |
| 4,5 | Lower fixing board of the guard | CELX-0045 | 1 |
| 4,6 | Plastic protection guard | CELX-0046 | 1 |
| 5 | M6x25 screw | CELX-0048 | 1 |
| 6 | M5x14 screw | CELX-0049 | 1 |
| 7 | Plastic protection guard fixing bar (metal) | CELX-0050 | 1 |
| 8 | M5x25 screw | CELI-0004 | 2 |
| 9 | ∅26x1550 aluminum tube | CETX-0024 | 1 |
| 10 | ∅32-hoop | CELX-0066 | 1 |
| 11 | Anti-vibration sleeve | CELX-0065 | 1 |

CAIMAN

| N° | Description | Part Number | Qty (UOM) |
|-----------|--------------------------------------|--------------------|------------------|
| 12 | Oil retaining bearing assy | CELX-0053 | 6 |
| 13 | Rigid axle assy | CELX-0054 | 1 |
| 14 | Anti-vibration handle left | CETX-0027 | 1 |
| 15 | Anti-vibration handle right | CETX-0028 | 1 |
| 16 | Anti-vibration handle spring | CETX-0030 | 1 |
| 17 | M5x16 screw | CETX-0031 | 2 |
| 18 | Lower fixing board of the handle | CETX-0032 | 1 |
| 19 | Ø22U handle tube | CETX-0033 | 1 |
| 20 | Upper fixing board of the handle | CETX-0034 | 1 |
| 21 | Lower part of the handle rotary knob | CETX-0036 | 1 |
| 22 | Pin shaft Ø4x50 | CETX-0037 | 1 |
| 23 | Upper part of the handle rotary knob | CETX-0038 | 1 |
| 24 | Right handle assy | CETX-0039 | 1 |
| 25 | Left handle assy | CETX-0053 | 1 |