

# **SPARE PARTS LIST**

**f o r**

*Infrared gas heater*

*Model*

# **VAL6**

Type

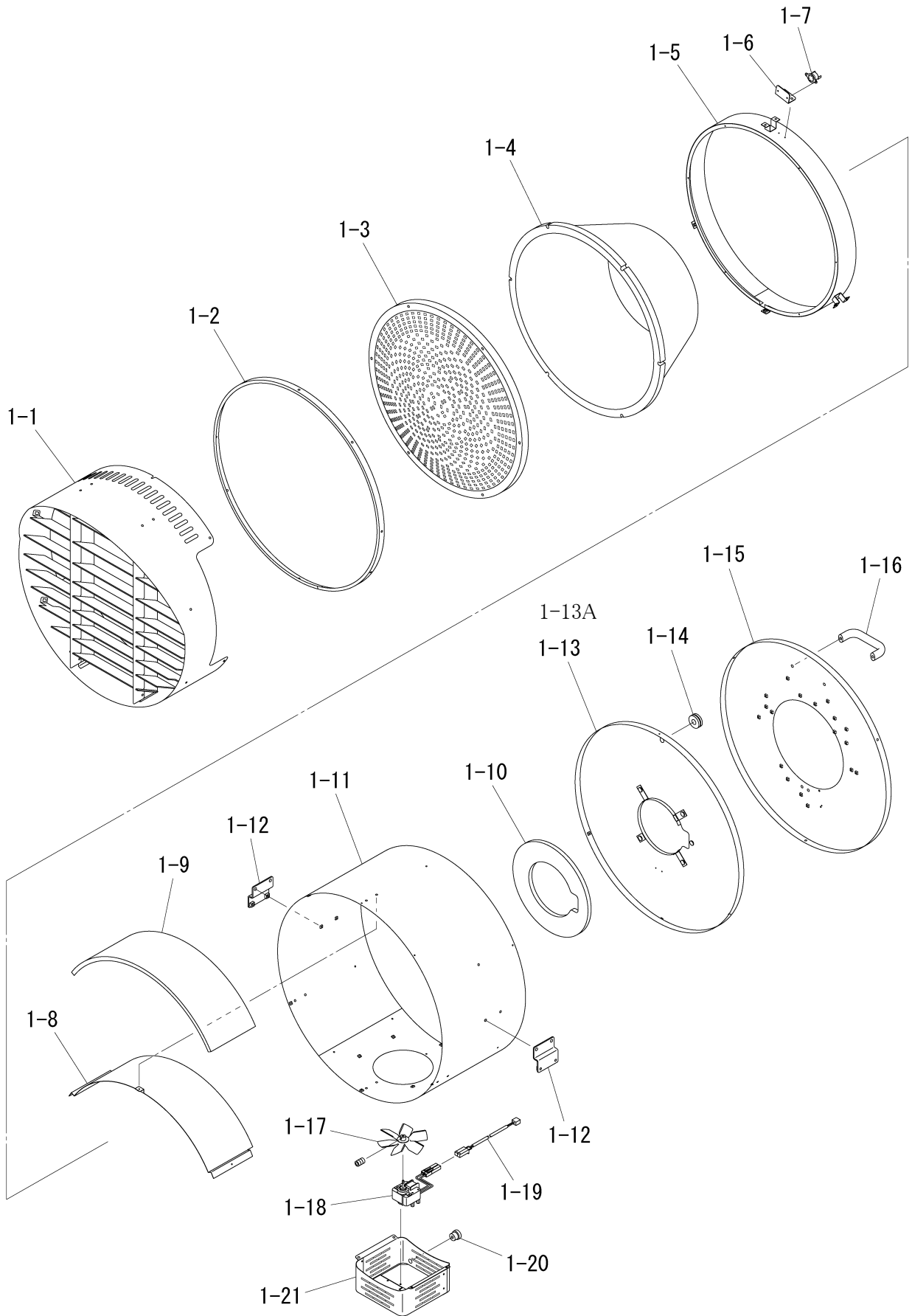
- ◆ GN5 for 120V 60Hz
- ◆ GP5 for 120V 60Hz
- ◆ GP5 for 230V 50Hz

February 2016

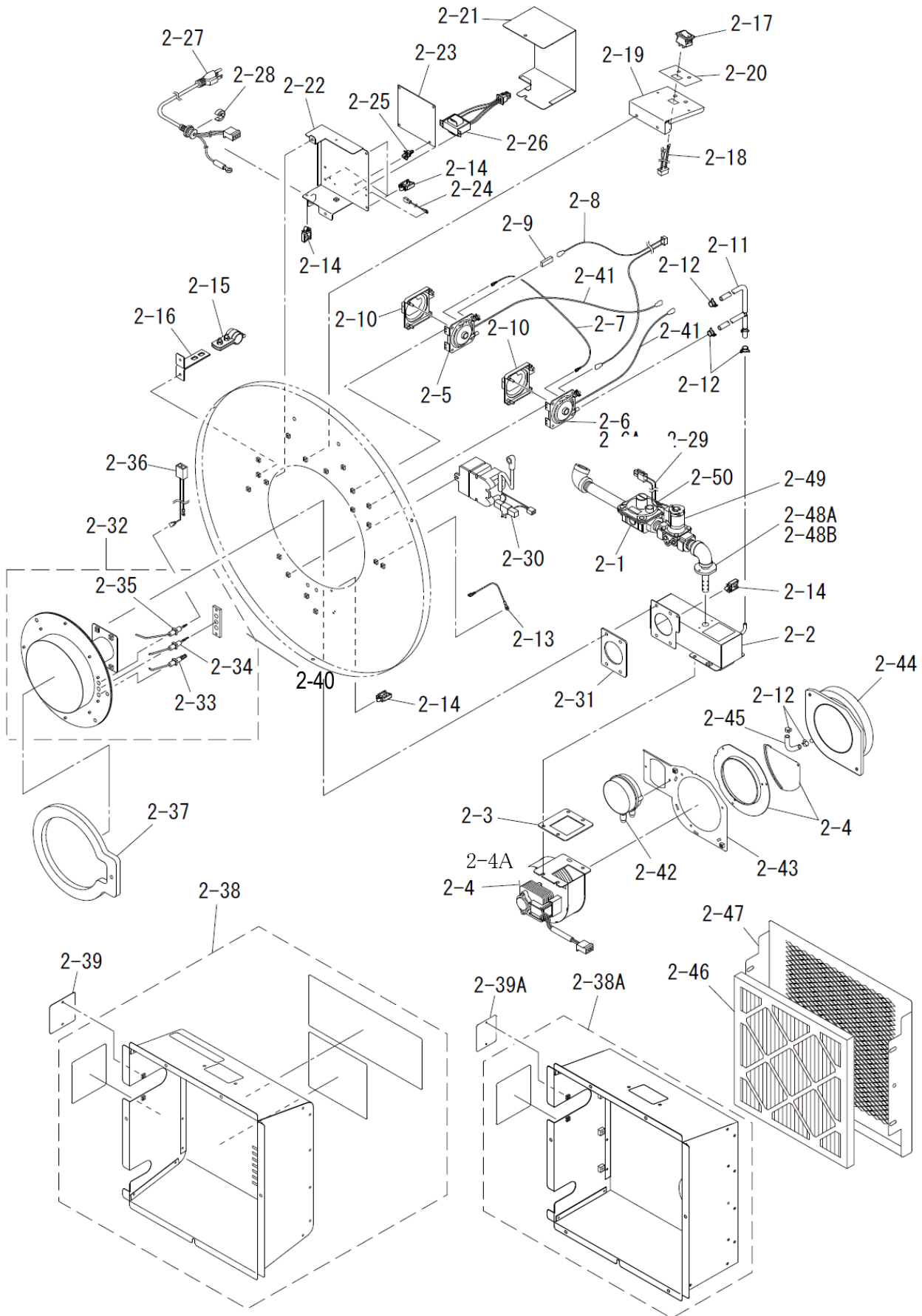
***Shizuoka Seiki Co., Ltd.***

\* PRICES AND SPECIFICATIONS ARE SUBJECT TO CHANGE WITHOUT NOTICE\*

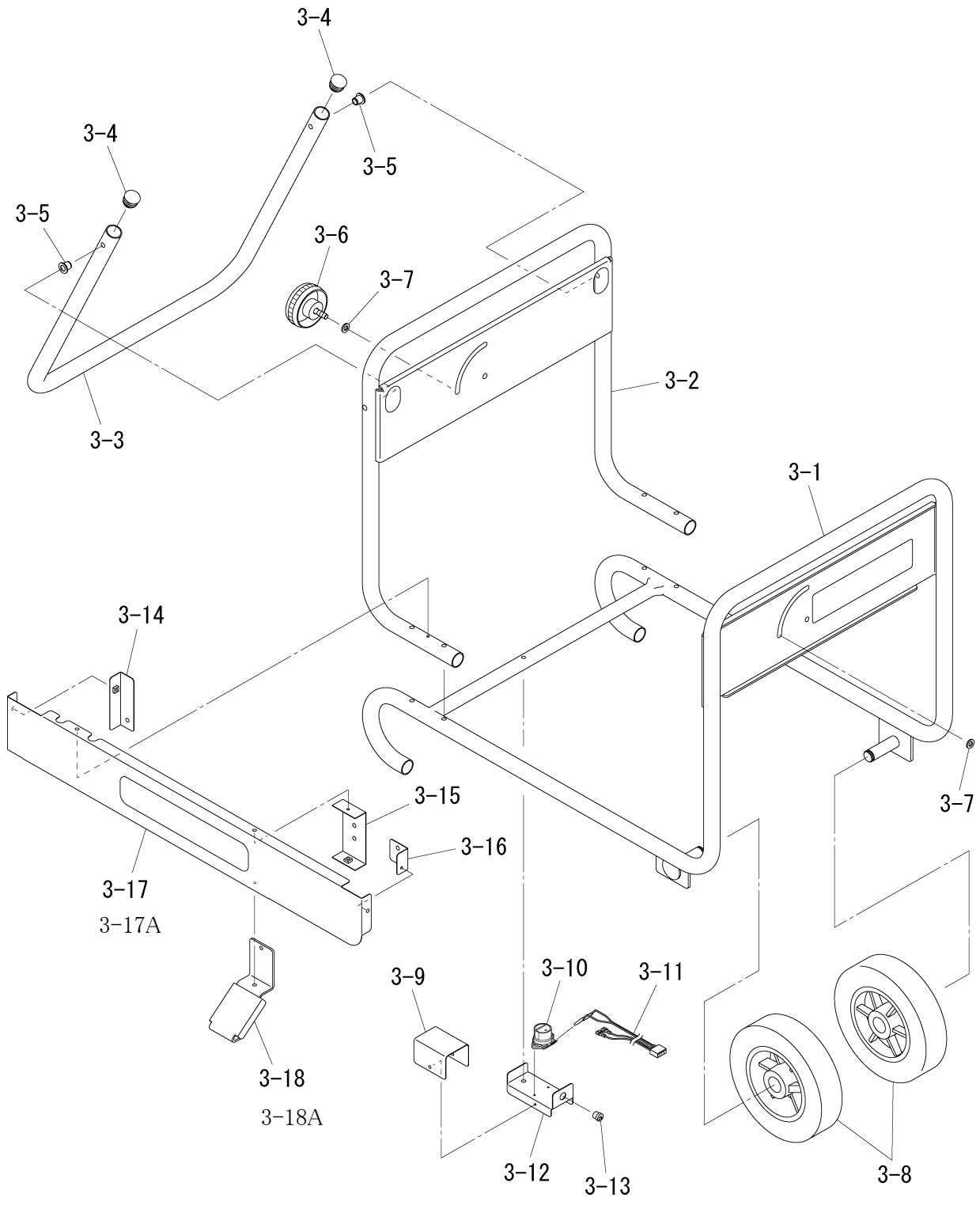
# Combustion Unit



# Burner Unit



# Frame Unit



CODE NO.	PART NAME <COMBUSTION UNIT>	PART NO.	Q'TY /SET	GN5	GP5(120V)	GP5(230V)	REMARKS
1-1	PROTECTOR ASSEMBLY	51001 103007	1	●	●	●	
1-2	DRUM RING	51001 203004	1	●	●	●	
1-3	RADIATION DISK	50335 203001	1	●	●	●	
1-4	CONICAL INSULATOR	51001 203001	1	●	●	●	
1-5	CYLINDER	51001 103003	1	●	●	●	
1-6	OVERHEAT SENSOR BRACKET	51001 203030	1	●	●	●	
1-7	OVERHEAT SENSOR	51001 203015	1	●	●	●	
1-8	UPPER INSULATOR BRACKET	51001 203013	1	●	●	●	
1-9	UPPER INSULATOR	51001 203012	1	●	●	●	
1-10	BURNER DRAFT PACKING	51001 203010	1	●	●	●	
1-11	DRUM	51001 203003	1	●	●	●	
1-12	SUPPORT BRACKET	51001 203011	2	●	●	●	
1-13	INSULATOR	51001 103008	1	N/A	N/A	N/A	till 2013, C-01.change to51001103006
1-13A		51001 203006	1	●	●	●	from 2014, B-01
1-14	GROMMET	51001 203031	1	●	●	●	
1-15	DRUM END	51001 203005	1	●	●	●	
1-16	GRIP	50335 204001	1	●	●	●	
		50310 201022	1			●	
1-17	BLOWER FAN	50310 201020	1	●	●	●	
1-18	BLOWER MOTOR	50317 201010	1	●	●	●	
		50319 201003	1			●	
1-19	RELAY CABLE	51001 203014	1	●	●	●	
1-20	MOTOR CORD STOPPER	50320 202018	1	●	●	●	
1-21	DRUM BASE	51001 103005	1	●	●	●	
2-1	GAS PIPE ASSEMBLY	51001 101004	1	●			with Regulator andSolenoid valve
		51002 101003	1		●		
			1				
		51002 191103	1			●	
2-2	GAS MIXING BOX	51001 101006	1	●	●	●	
2-3	FAN PACKING	51001 201048	1	●	●	●	
2-4	COMBUSTION FAN	50330 201013	1	●	●	●	till 2013, C-01. changeto 51001201057
		51002 291104	1			●	
2-4A		51001 201057	1	●	●		from 2014, B-01
2-5	AIR SWITCH (A)	51001 101009	1	-	-		till 2014(B lot), changeto 51001101022
		51001 101022	1	●	●		from 2014 replacement
		51002 191112	1			●	
2-6	AIR SWITCH (B)	01027 110008	1	●	●	●	
2-7	CONNECTING CORD	51001 201035	1	●	●		
2-8	AIR SWITCH CORD	51001 201037	1	●	●	●	
2-9	SLEEVE	51001 201055	1	●	●	●	
2-10	AIR SWITCH COVER	01138 207041	2	●	●	●	
2-11	AIR SWITCH HOSE	51001 101010	1	●	●	●	
2-12	HOSE CLAMP	50319 202016	6	●	●	●	
2-13	GROUNDING WIRE (A)	51001 201038	1	●	●	●	
2-14	WIRE BINDING	51001 201033	6	●	●	●	
2-15	PIPE FIXING BRACKET	51001 200002	1	●	●	●	
2-16	PIPE FIXING BRACKET BASE	51001 200003	1	●	●	●	
2-17	OPERATION SWITCH	50254 204006	1	●	●	●	
2-18	OPERATION SWITCH CORD	51001 201039	1	●	●	●	
2-19	BURNER CONTROL BRACKET	51001 101014	1	●	●	●	with face label (2-20)50300201010
2-21	BURNER CONTROL COVER	51001 201009	1	●	●		
2-22	CONTROL CHASSIS	51001 201008	1	●	●	●	
2-23	BURNER CONTROL	51001 201001	1	●	●	●	
2-24	GROUNDING WIRE (B)	51001 201056	1	●	●	●	
2-25	CONTROL SUPPORT	50229 201037	4	●	●	●	
2-26	STEP DOWN TRANSFORMER	51001 201006	1	●	●		
		51002 291102	1			●	
2-27	POWER CABLE	51001 201007	1	●	●		
		51002 291103	1			●	
2-28	CABLE STOPPER	50205 201019	1	●	●	●	
2-29	SOLENOID VALVE CORD	51001 201036	1	●	●	●	
2-30	IGNITION TRANSFORMER	51001 201005	1	●	●		
		51002 291001	1			●	
2-31	GAS MIXING BOX PACKING	51001 201047	1	●	●	●	
2-32	BURNER HEAD	51001 101005	1	●	●	●	include 2-33, 2-34, 2-35,2-40
2-33	ELECTRODE	51001 201042	1	●	●	●	
2-34	ELECTRODE GROUND	51001 201044	1	●	●	●	
2-35	FLAME ROD	51001 201043	1	●	●	●	
2-36	FLAME ROD CORD	51001 201040	1	●	●	●	
2-37	BURNER PACKING	51001 201032	1	●	●	●	
2-38	BURNER COVERwith schematic diagram sticker	51001 101003	1	●	●		till 2014(B lot)
2-38A		51001 101016	1	●	●		from 2014 replacement
		51002 191105	1			●	
2-39	BURNER COVER PLATE	51001 201046	1	●	●		
2-39A	BURNER COVER PLATE	51002 201072	1	●	●	●	
2-40	ELECTRODE RETAINER	51001 101013	1	●	●	●	
2-41	AIR SWITCH CORD	51001 201066	2	●	●	●	
2-42	AIR SWITCH (C)	51001 101021	1	●	●		

CODE NO.	PART NAME <COMBUSTION UNIT>	PART NO.	Q'TY /SET	GN5	GP5(120V)	GP5(230V)	REMARKS
2-42	AIR SWITCH(C)	51002 191110	1			●	
2-43	AIR SWITCH CHASSIS	51001 201062	1	●	●		
		51002 291108	1			●	
2-44	DUCT & PACKING	51001 101018	1	●	●		
		51002 191107	1			●	
2-45	AIR SWITCH(C) HOSE	51001 201076	1	●	●	●	
2-46	FIRTER	51001 201072	1	●	●	●	
2-47	FIRTER CHASSIS	51001 201071	1	●	●		
		51001 291115	1			●	
2-48A	NOZZLE(Natural gas)	51001 201003	1	●			
2-48B	NOZZLE(Propane gas)	51002 201002	1		●	●	
2-49	SOLENOID VALVE	51001 201002	1	●	●		
		51002 291101	1			●	
2-50	REGULATOR	51001 201041	1	●	●	●	
*2-20 is unused number							
3-1	FRAME (L)	51001 102007	1	●	●	●	
3-2	FRAME (R)	51001 102008	1	●	●	●	
3-3	HANDLE	51001 102004	1	●	●	●	with 3-4
3-4	PIPE END CAP	51001 202017	2	●	●	●	
3-5	SPACER	50346 200002	2	●	●	●	
3-6	KNOB BOLT	50229 202074	1	●	●	●	
3-7	KNOB PACKING	51001 200001	2	●	●	●	
3-8	WHEEL	50201 204006	2	●	●	●	
3-9	TIP-OVER SWITCH COVER	51001 202015	1	●	●	●	
3-10	TIP-OVER SWITCH	50298 202015	1	●	●	●	
3-11	SENSOR CABLE	51001 202019	1	●	●	●	
3-12	TIP-OVER BRACKET	51001 202009	1	●	●	●	
3-13	TIP-OVER CORD GROMMET	50219 201063	1	●	●	●	
3-14	BUMPER RETAINER (R)	51001 202013	1	●	●	●	
3-15	BUMPER RETAINER (C)	51001 202011	1	●	●	●	GN5/GP5 till2013(C lot)
3-16	BUMPER RETAINER (L)	51001 202012	1	●	●	●	
3-17	BUMPER	51001 102005	1	●	●	●	GN5/GP5 till2013(C lot)
3-17A		51001 102009	1	●	●	●	from 2014, B-01
3-18	TIP-RESISTANT PLATE	51001 202020	1	●	●	●	GN5/GP5 till2013(C lot)
3-18A		51001 202022	1	●	●	●	from 2014, B-01