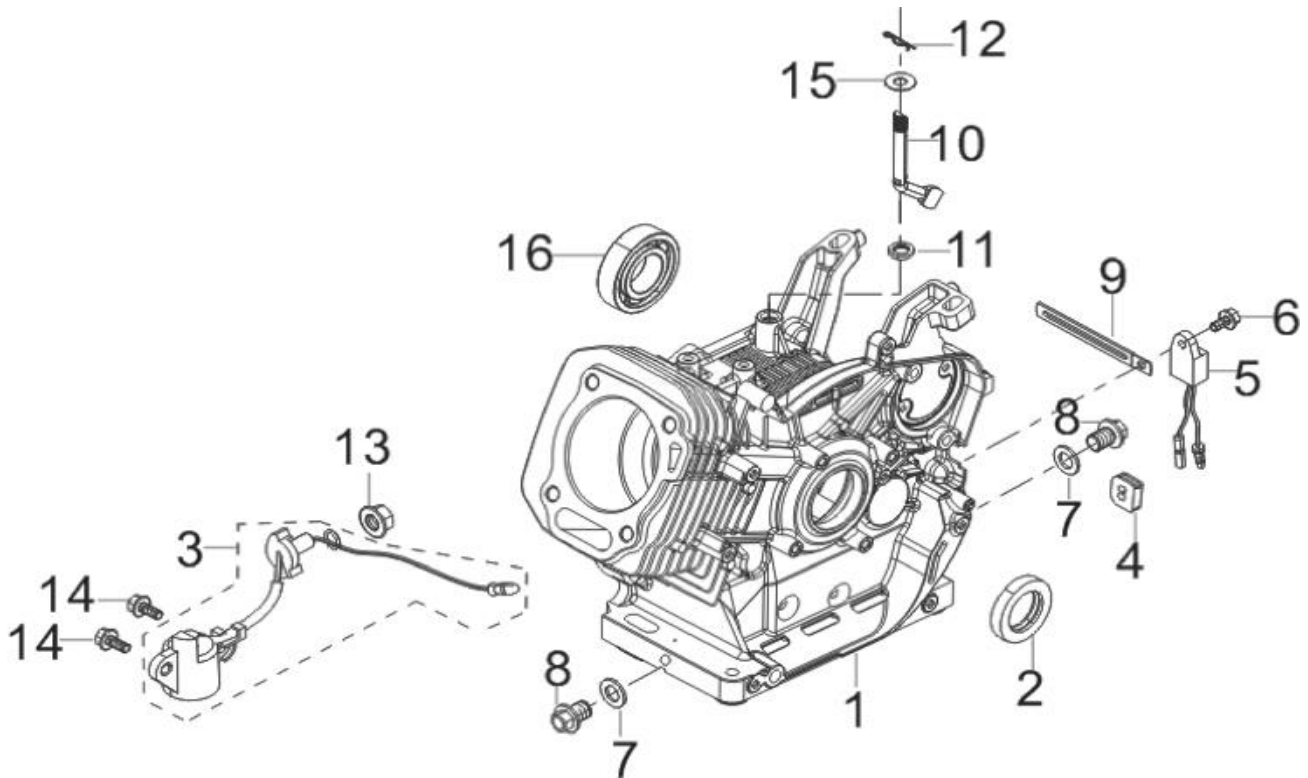


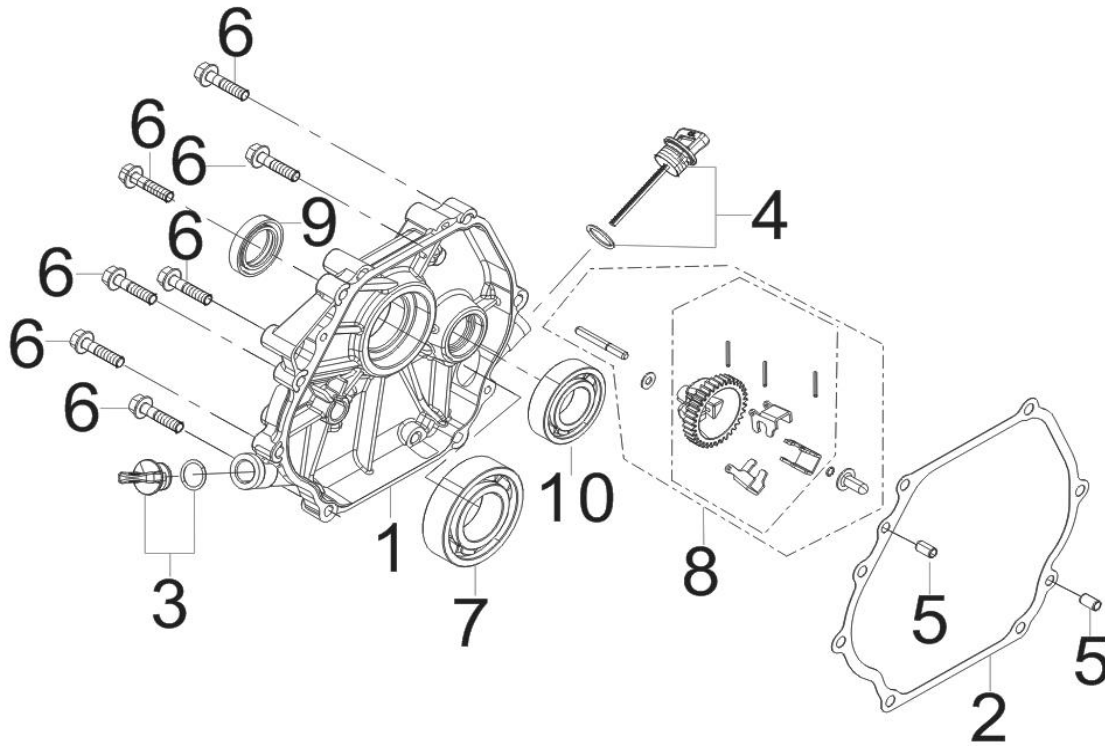
Caiman Green Engine 390CC Gseries

FIG.1 CRANKCASE. / GEAR ASSY, GOVERNOR. (E01)



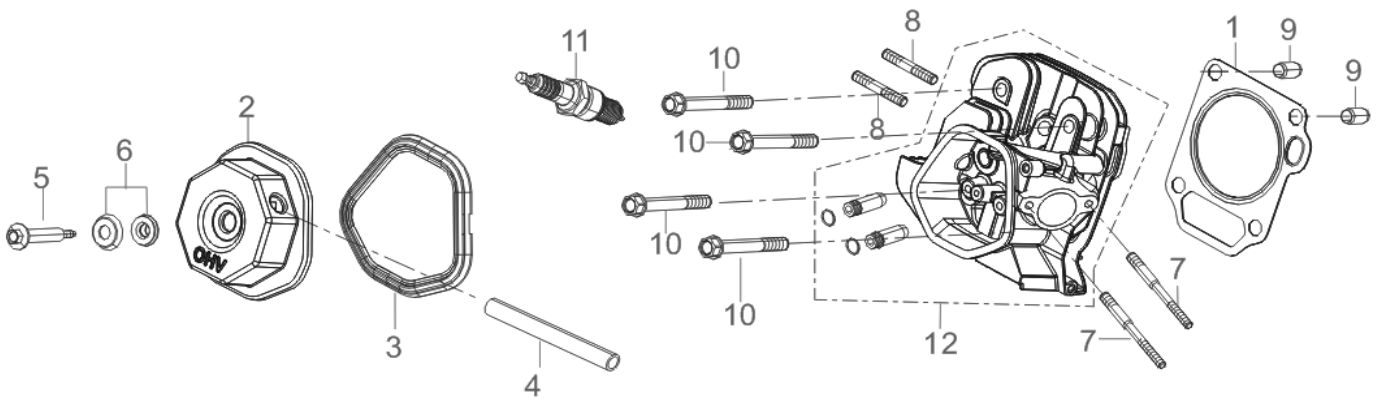
REF.NO.		DESCRIPTION	Q'TY
E01-1	UG390-00001	CRANKCASE SUBASSEMBLY.	1
E01-2	UG390-00002	SEAL, OIL	1
E01-3	UG390-00003	SENSOR, ENGINE OIL	1
E01-4	UG390-00004	PLUG, RUBBER	1
E01-5	UG390-00005	PROTECTOR, OIL	1
E01-6	UG390-00006	BOLT	1
E01-7	UG390-00007	WASHER , FLAT	2
E01-8	UG390-00008	BOLT, DRAIN PLUG	2
E01-9	UG390-00009	CLIP	1
E01-10	UG390-00010	ARM, GOVERNOR	1
E01-11	UG390-00011	SEAL, OIL	1
E01-12	UG390-00012	PIN	1
E01-13	UG390-00013	NUT	1
E01-14	UG390-00014	BOLT	2
E01-15	UG390-00015	WASHER , FLAT	1
E01-16	UG390-00016	BEARING , DEEP GROOVE BALL	1

FIG.2 COVER SUBASSEMBLY, CRANKCASE (E02)



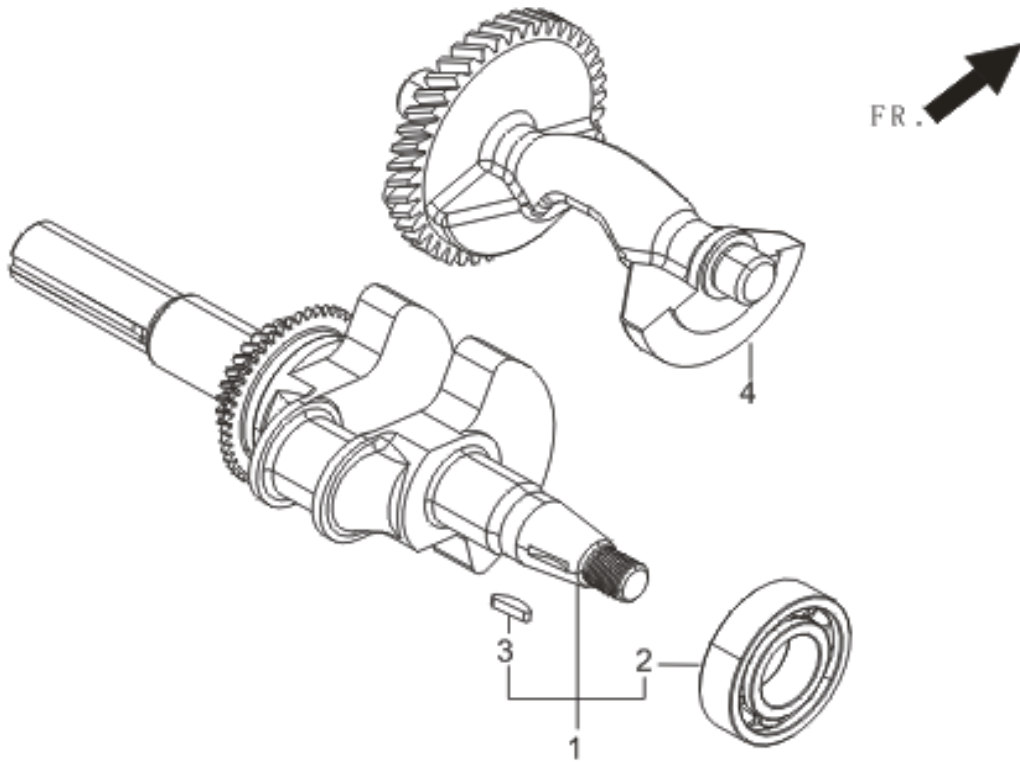
REF.NO.		DESCRIPTION	Q'TY
E02-1	UG390-00017	COVER, CRANKCASE	1
E02-2	UG390-00018	GASKET, CRANKCASE	1
E02-3	UG390-00019	PLUG SUBASSEMBLY, ENGINE OIL	1
E02-4	UG390-00020	DIPSTICK SUBASSEMBLY, OIL	1
E02-5	UG390-00021	PIN	2
E02-6	UG390-00022	BOLT	7
E02-7	UG390-00023	BEARING , DEEP GROOVE BALL	1
E02-8	UG390-00024	GEAR ASSY, GOVERNOR	1
E02-9	UG390-00002	SEAL, OIL	1
E02-10	UG390-00016	BEARING , DEEP GROOVE BALL	1

FIG.3 HEAD SUBASSEMBLY, CYLINDER / PLUG, SPARK (E03)



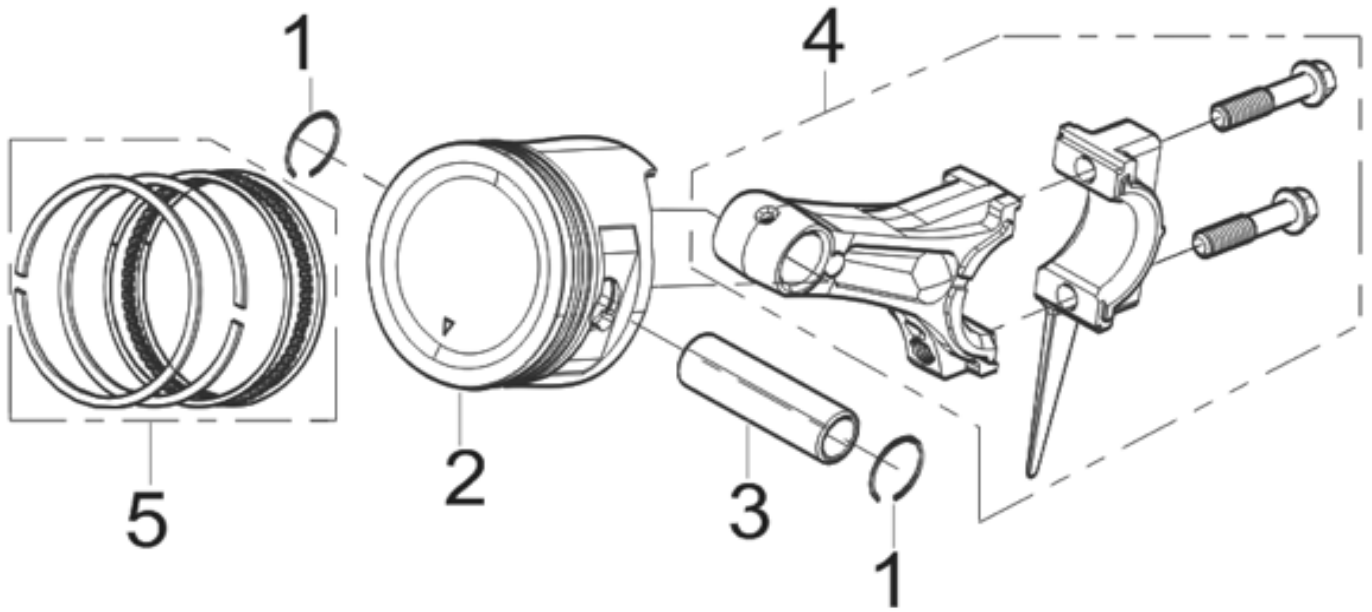
REF.NO.		DESCRIPTION	Q'TY
E03-1	UG390-00027	GASKET, CYLINDER HEAD	1
E03-2	UG390-00028	COVER SUBASSEMBLY, CYLINDER HEAD	1
E03-3	UG390-00029	GASKET, CYLINDER HEAD COVER	1
E03-4	UG390-00030	TUBE, BREATHER	1
E03-5	UG390-00031	BOLT, CYLINDER HEAD	1
E03-6	UG390-00032	Cylinder epicranium bolt seal&gasket unit	1
E03-7	UG390-00033	BOLT	2
E03-8	UG390-00034	BOLT	2
E03-9	UG390-00035	PIN	2
E03-10	UG390-00036	BOLT, CYLINDER HEAD	4
E03-11	UG390-00037	PLUG, SPARK	1
E03-12	UG390-00038	HEAD SUBASSEMBLY, CYLINDER	1

FIG.4 ROD,CRANKSHAFT CONNETING (E04)



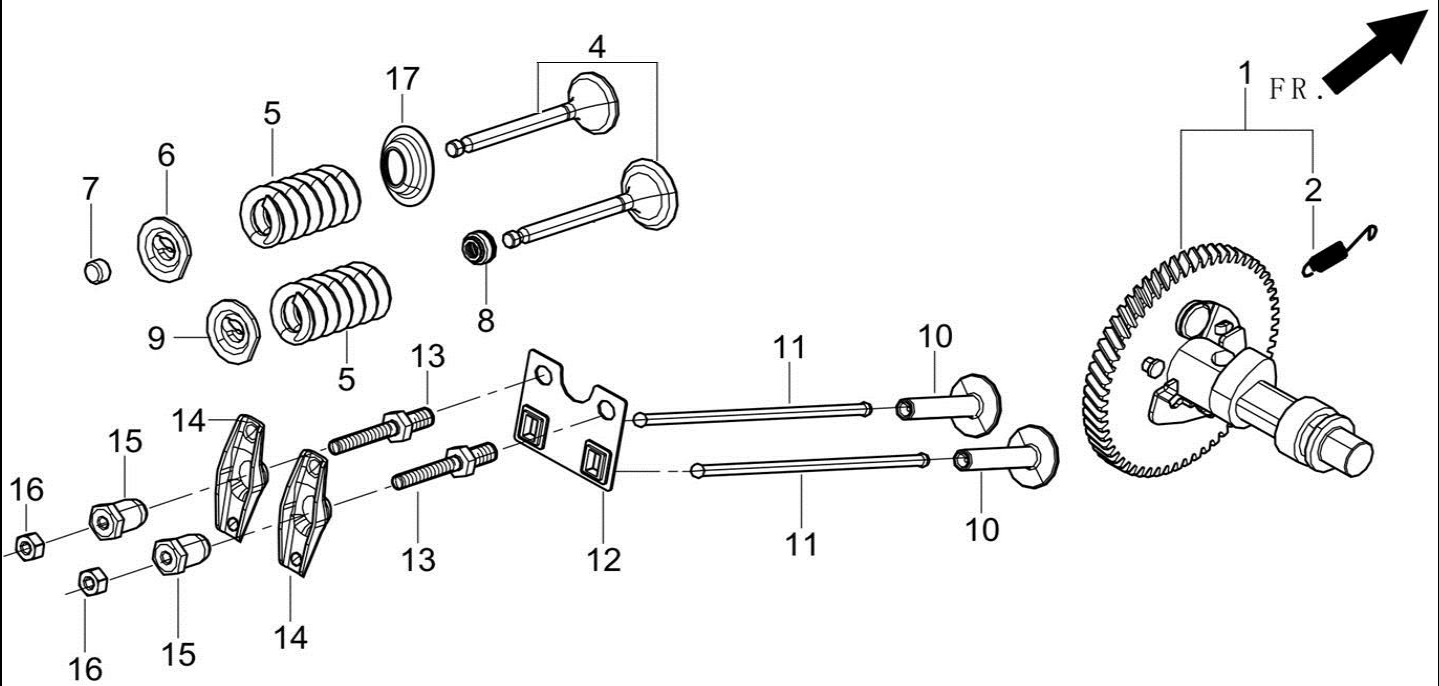
REF.NO.		DESCRIPTION	Q'TY
E04-1	UG390-00039	CRANKSHAFT ASSY.	1
E04-4	UG390-00040	SHAFT ASSY, BALANCING	1

FIG.5 RING SET,OIL / ROD,CRANKSHAFT CONNETING (E05)



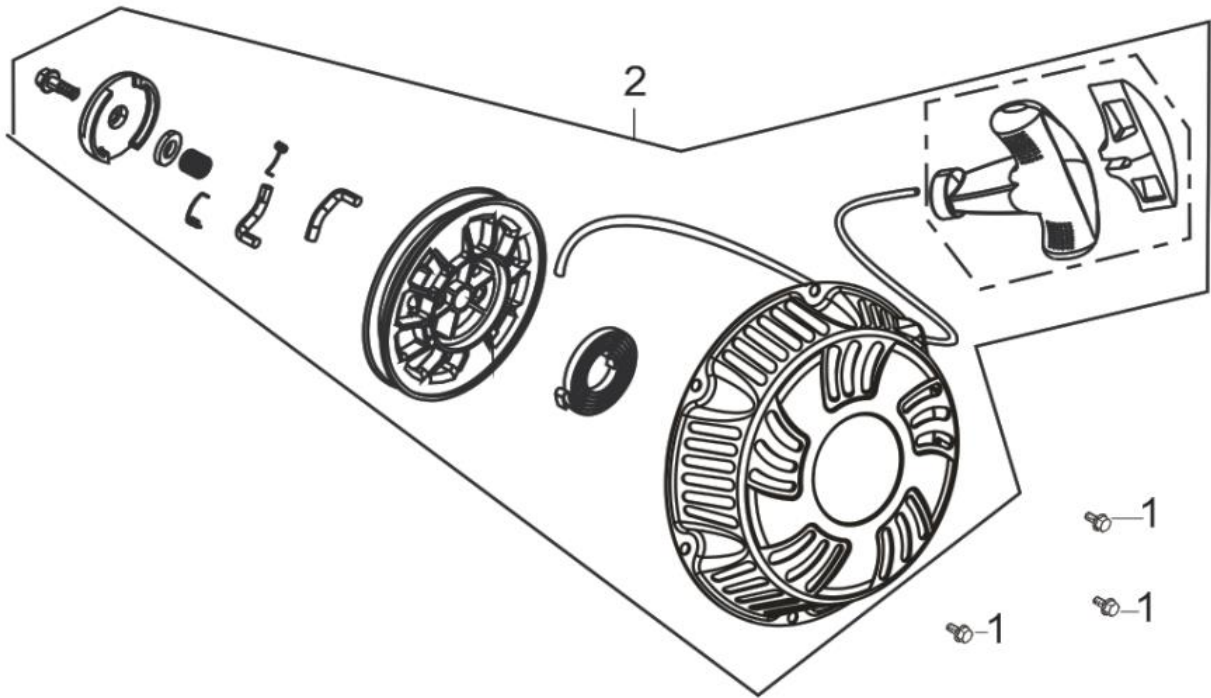
REF.NO.		DESCRIPTION	Q'TY
E05-1	UG390-00041	CLIP, PISTON PIN	2
E05-2	UG390-00042	PISTON	1
E05-3	UG390-00043	PIN, PISTON	1
E05-4	UG390-00044	ROD, CONNECTING	1
E05-5	UG390-00045	RING ASSY, PISTON	1

FIG.6 TRAIN,VALVE / CAMSHAFT SUBASSEMBLY (E06)



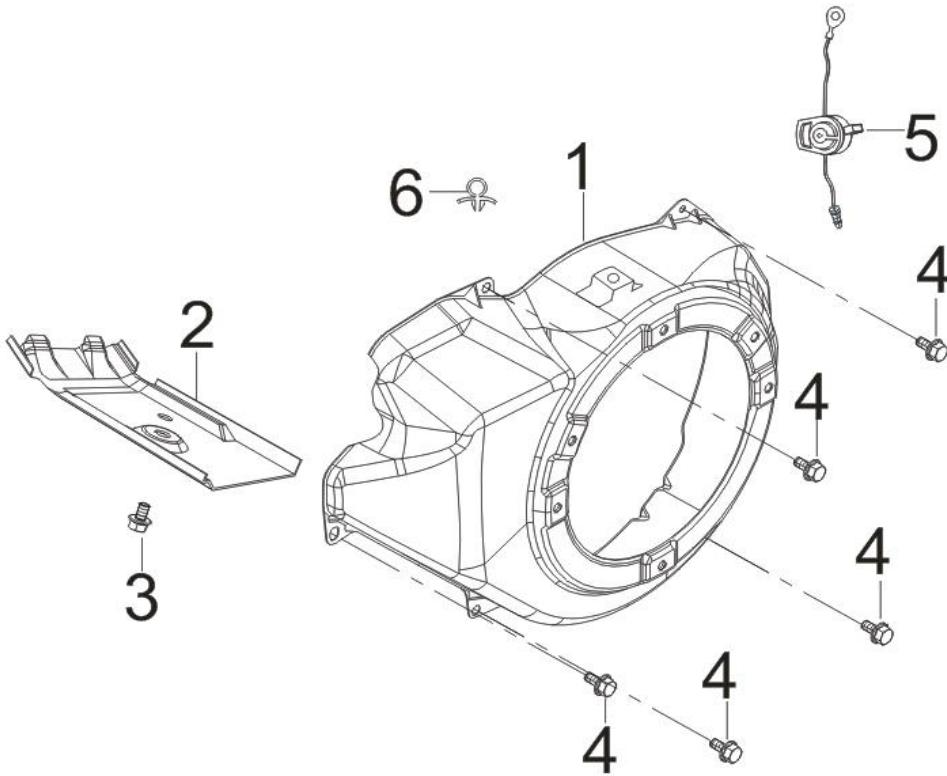
REF.NO.		DESCRIPTION	Q'TY
E06-1	UG390-00046	CAMSHAFT ASSY.	1
E06-4	UG390-00047	VALVE	1
E06-5	UG390-00048	SPRING, VALVE	2
E06-6	UG390-00049	RETAINER , EXHAUST VALVE	1
E06-7	UG390-00050	ROTATOR, VALVE	1
E06-8	UG390-00051	GUIDE, SEAL	1
E06-9	UG390-00052	SEAT, VALVE SPRING	1
E06-10	UG390-00053	TAPPET, VALVE	2
E06-11	UG390-00054	LIFTER SUBASSEMBLY, VALVE	2
E06-12	UG390-00055	PLATE SUBASSEMBLY, LIFTER STOPPER	1
E06-13	UG390-00056	BOLT, ROCKER SHAFT	2
E06-14	UG390-00057	ROCKER, VALVE	2
E06-15	UG390-00058	NUT , VALVE ADJUSTING	2
E06-16	UG390-00059	NUT, VALVE LOCK	2
E06-17	UG390-00060	RETAINER, VALVE SPRING	1

FIG.7 STARTER,RECOIL (E07)



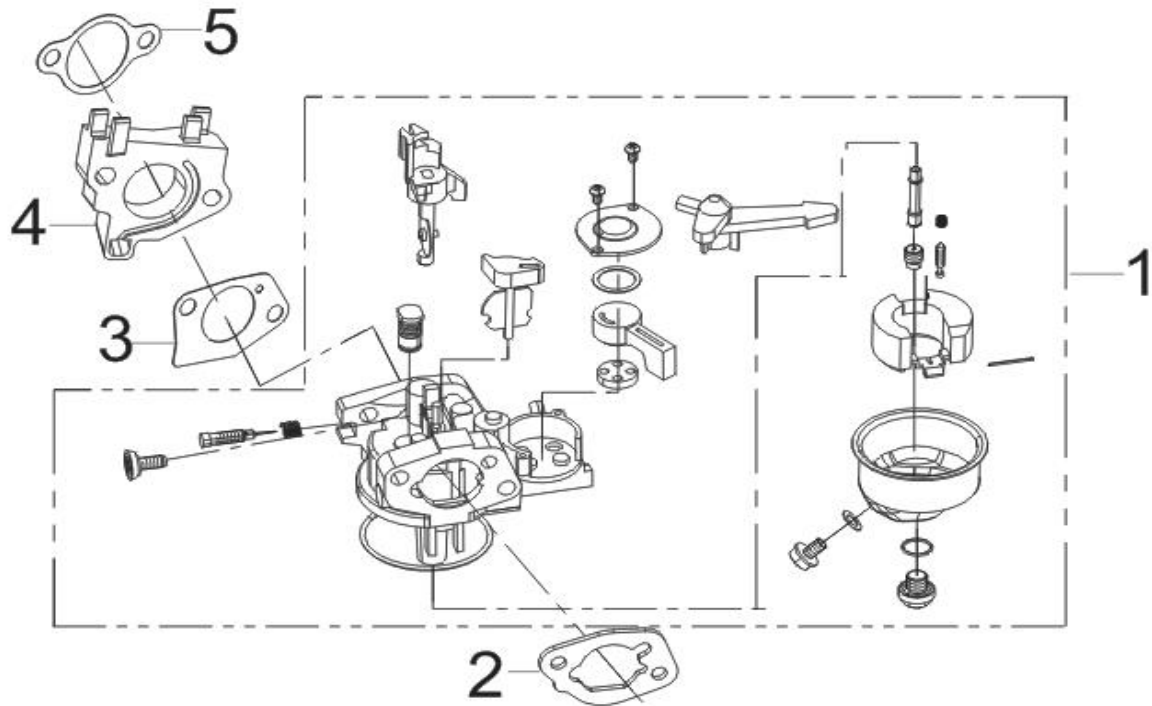
REF.NO.		DESCRIPTION	Q'TY
E07-1	U210-00054	BOLT	3
E07-2	UG390-00061	STARTER ASSY, RECOIL	1

FIG.8 SHROUD / SHIELD,LOWER (E08)



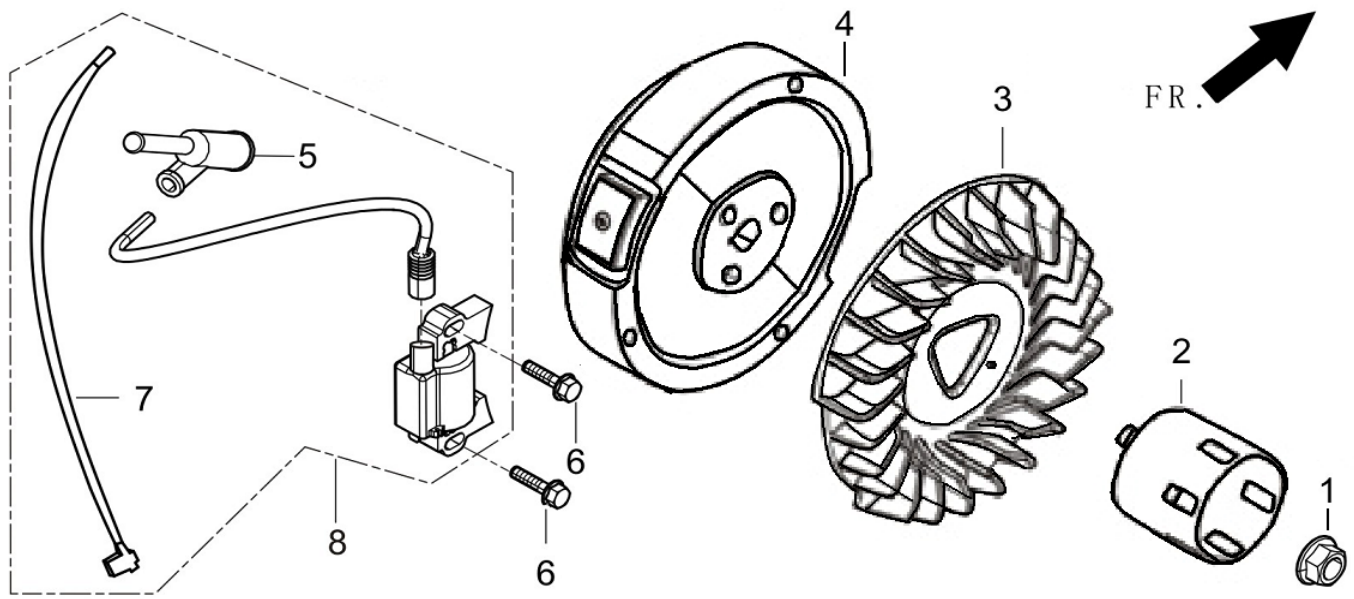
REF.NO.		DESCRIPTION	Q'TY
E08-1	UG390-00062	SHROUD	1
E08-2	UG390-00063	SHROUD, CYLINDER BODY	1
E08-3	UG390-00006	BOLT	1
E08-4	UG390-00006	BOLT	5
E08-5	UG390-00066	SWITCH SUBASSEMBLY, STOP ENGINE	1
E08-6	UG390-00067	CLIP	1

FIG.9 CARBURETOR ASSY. (E09)



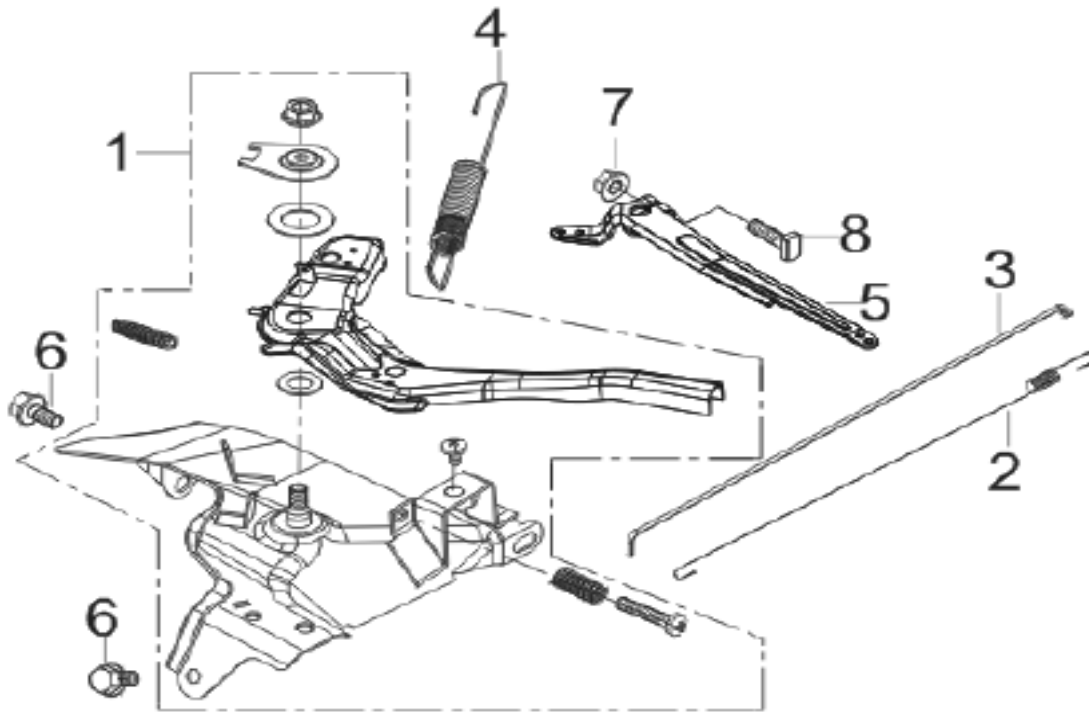
REF.NO.		DESCRIPTION	Q'TY
E09-1	UG-00068	CARBURETOR ASSY.	1
E09-2	UG390-00069	GASKET, AIR CLEANER	1
E09-3	UG390-00070	GASKET, CARBURETOR	1
E09-4	UG390-00071	PLATE, CARBURETOR INSULATOR	1
E09-5	UG390-00072	GASKET, INLET	1

FIG.10 FLYWHEEL / IMPELLER / STARTER PULLEY / IGNITION COIL (E10)



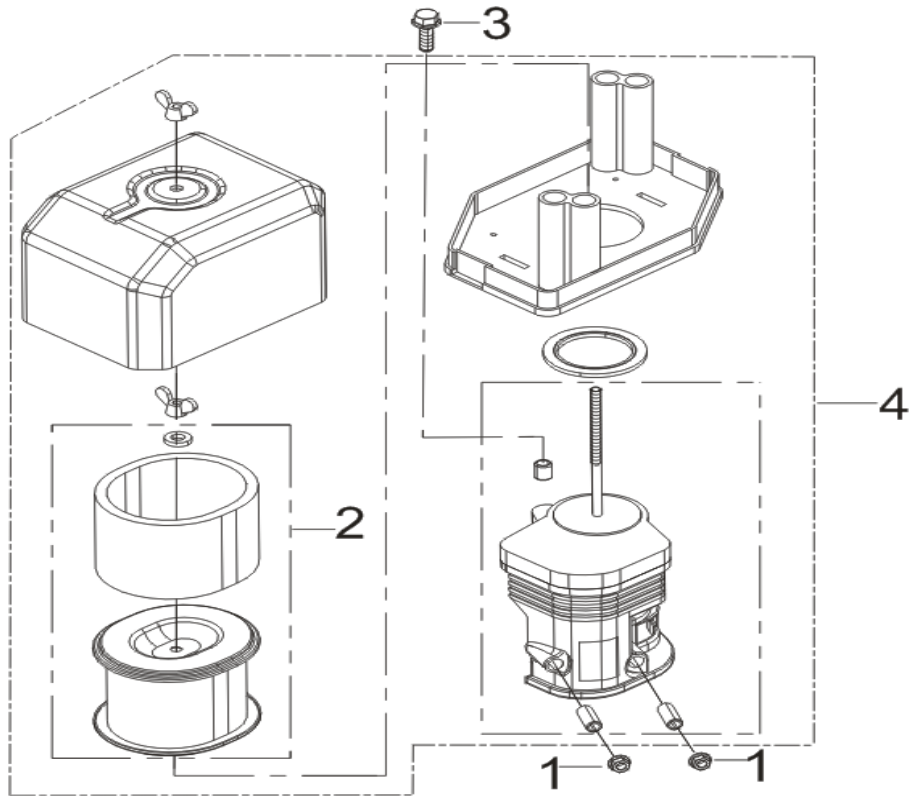
REF.NO.		DESCRIPTION	Q'TY
E10-1	UG390-00073	NUT, FLYWHEEL	1
E10-2	UG390-00074	PULLEY,STARTER	1
E10-3	UG390-00075	IMPELLER	1
E10-4	UG390-00076	FLYWHEEL SUBASSEMBLY	1
E10-6	UG390-00077	BOLT	2
E10-8	UG390-00078	COIL, IGNITION	1

FIG.11 CONTROL ASSY, THROTTLE (E11)



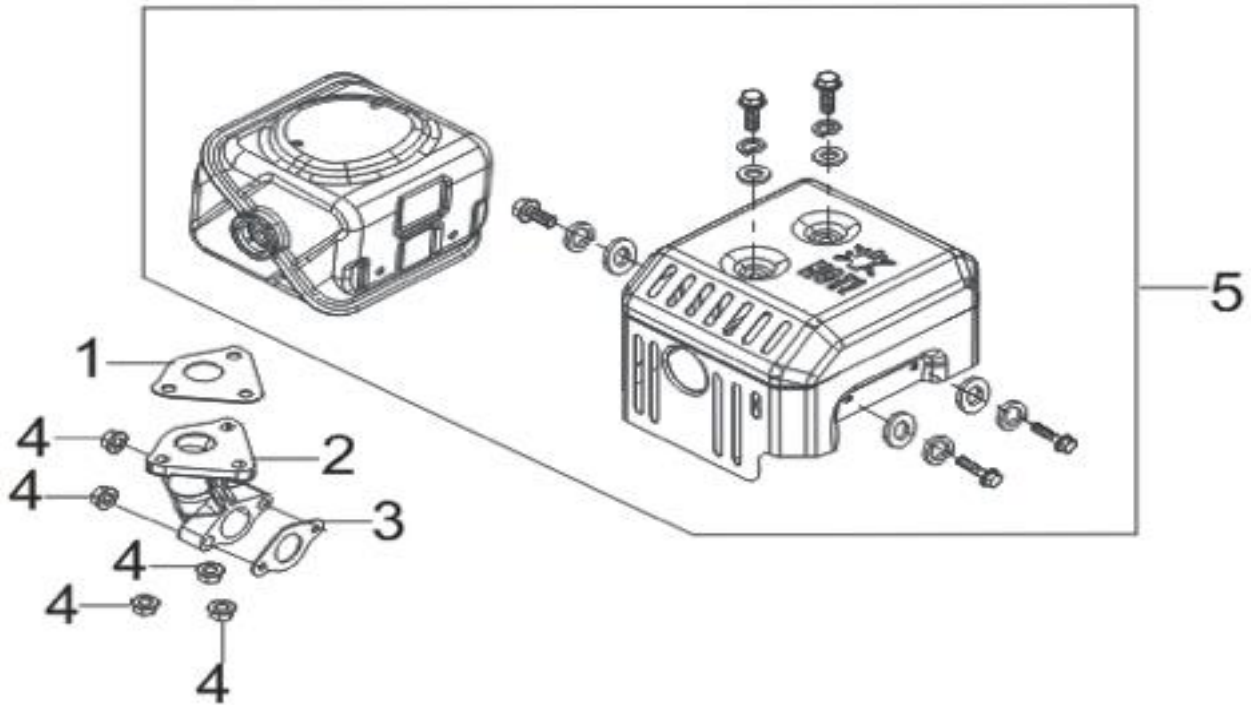
REF.NO.		DESCRIPTION	Q'TY
E11-1	UG390-00079	CONTROL ASSY, THROTTLE	1
E11-2	UG390-00080	SPRING, THROTTLE VALVE RETURNING	1
E11-3	UG390-00081	ROD, GOVERNEOR	1
E11-4	UG390-00082	SPRING, GOVERNOR	1
E11-5	UG390-00083	SUPPORT SUBASSEMBLY, GOVERNOR	1
E11-6	UG390-00006	BOLT	2
E11-7	UG390-00085	NUT	1
E11-8	UG390-00086	BOLT, GOVERNOR SUPPORT	1

FIG.12 CLEANER, AIR (F01)



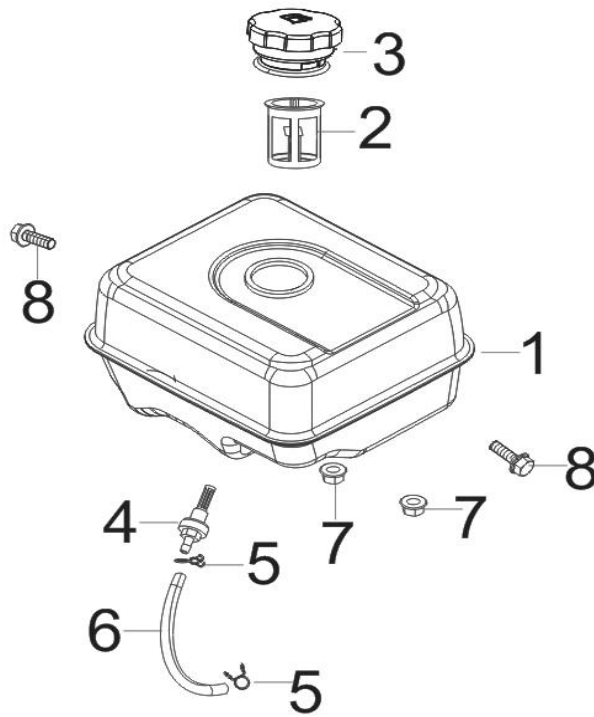
REF.NO.		DESCRIPTION	Q'TY
F01-1	UG390-00085	NUT	2
F01-2	UG390-00088	ELEMENT, AIR CLEANER	1
F01-3	UG390-00089	BOLT	1
F01-4	UG390-00090	CLEANER, AIR	1

FIG.13 MUFFLER ASSY. (F02)



REF.NO.		DESCRIPTION	Q'TY
F04-1	UG390-00091	GASKET, MUFFLER	1
F04-2	UG390-00092	PIPE, EXHAUST	1
F04-3	UG390-00093	GASKET, EXHAUST OUTLET	1
F04-4	UG390-00094	NUT	5
F04-5	UG390-00095	MUFFLER ASSY.	2

FIG.14 TANK ASSY, FUEL (F03)



REF.NO.		DESCRIPTION	Q'TY
F03-1	UG390-00096	TANK, FUEL	1
F03-2	UG390-00097	STRAINER , FUEL	1
F03-3	UG390-00098	COVER, FUEL TANK	1
F03-4	UG390-00099	OUTLET SUBASSEMBLY, FUEL TANK OIL	1
F03-5	UG390-00100	COLLAR	2
F03-6	UG390-00101	TUBE, FUEL	1
F03-7	UG390-00094	NUT	2
F03-8	UG390-00103	BOLT	2