

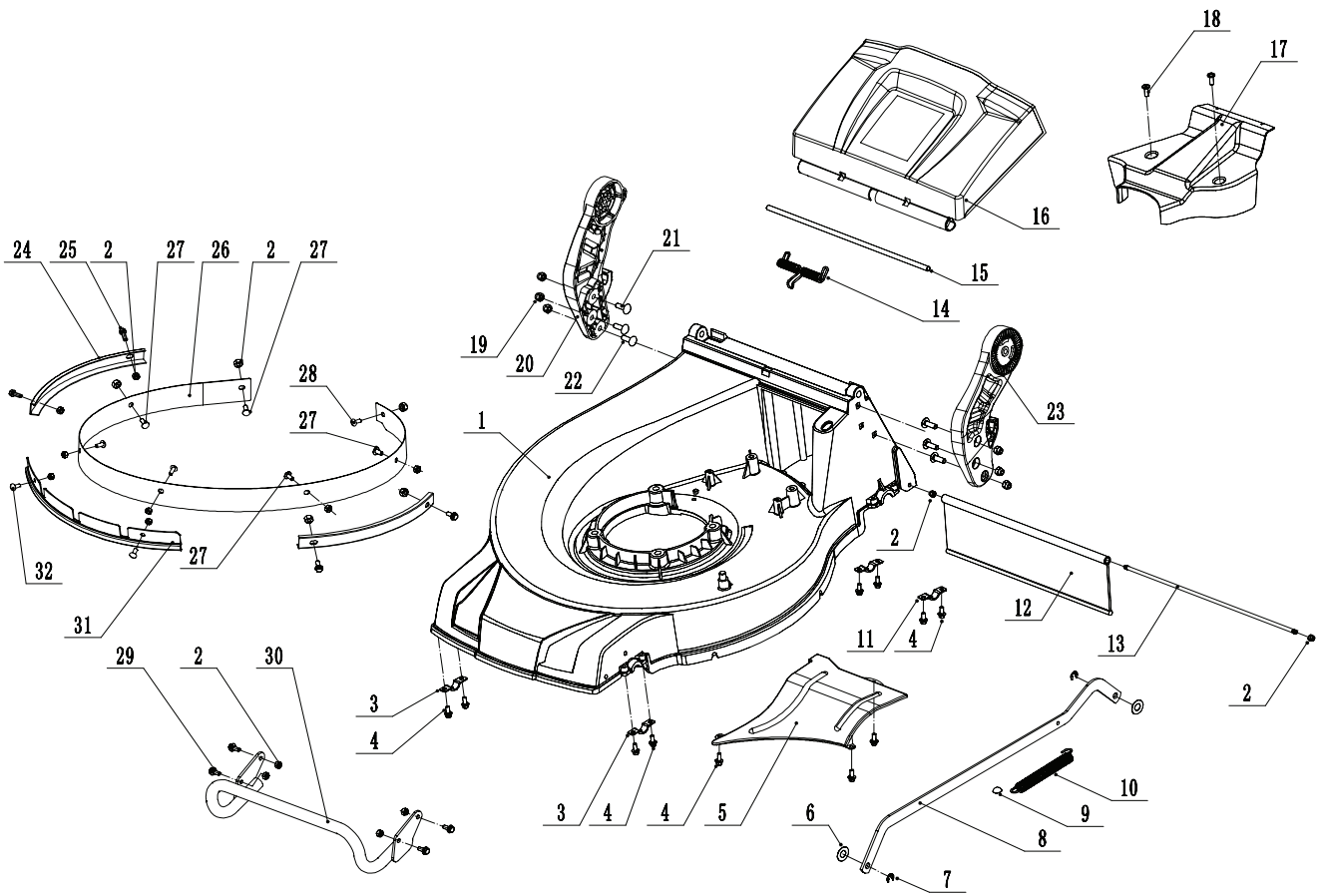
CAIMAN

Газонокосилка **IXO 55KV-AL**



CAIMAN

Main body



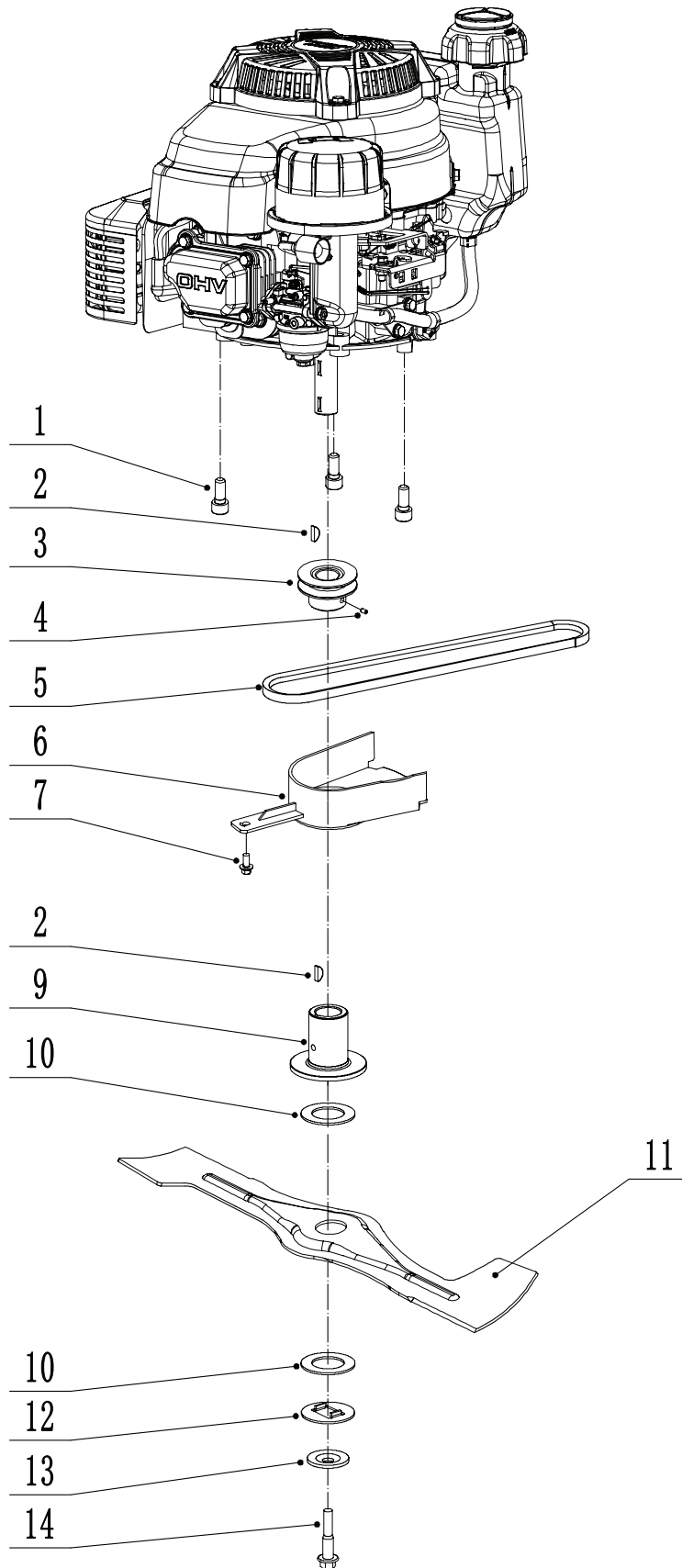
CAIMAN

Main body

N°	Description	Part Number	Qty (UOM)
1	Deck Shell	U536-00324	1
2	Lock Nut - M6	U455-00013	19
3	Bearing Holder	U536-00325	2
4	Bolt - M6X12	U058-00002	11
5	Lower Deflector	U536-00326	1
6	Spacer	U536-00327	2
7	E-Clip - M8	U058-00031	2
8	Connecting rod	U536-00328	1
9	Domed Grip Washer	U058-00032	1
10	Spring - Connecting Rod	U536-00329	1
11	Bearing Holder	U455-00132	2
12	Trailing Flap	U537-00017	1
13	Rod - Trailing Flap	U536-00330	1
14	Spring - Grass Bag Flap	U058-00021	1
15	Rod - Grass Bag Flap	U536-00331	1
16	Grass Bag Flap	U536-00332	1
17	Belt Cover	U536-00333	1
18	Bolt - M6X12	U536-00334	2
19	Lock Nut - M8	U455-00007	6
20	Handle Bracket - R/H	U536-00335	1
21	Bolt - M8X25	UG700-00029	2
22	Bolt - M8X20	U506-00064	4
23	Handle Bracket - L/H	U536-00336	1
24	Protection Plate	U536-00337	2
25	Bolt - M6X10	UR200-00055	4
26	Deck Liner	U0AL-00002	1
27	Screw - M6X14	U536-00339	4
28	Screw - M6X14	UR760-00026	3
29	Bolt - M6X16	U537-00094	4
30	Front Bumper	U536-00340	1
31	Aluminum chassis front guard	U536-00341	1
32	Screw - M6X14	U536-00342	2

CAIMAN

Blade system



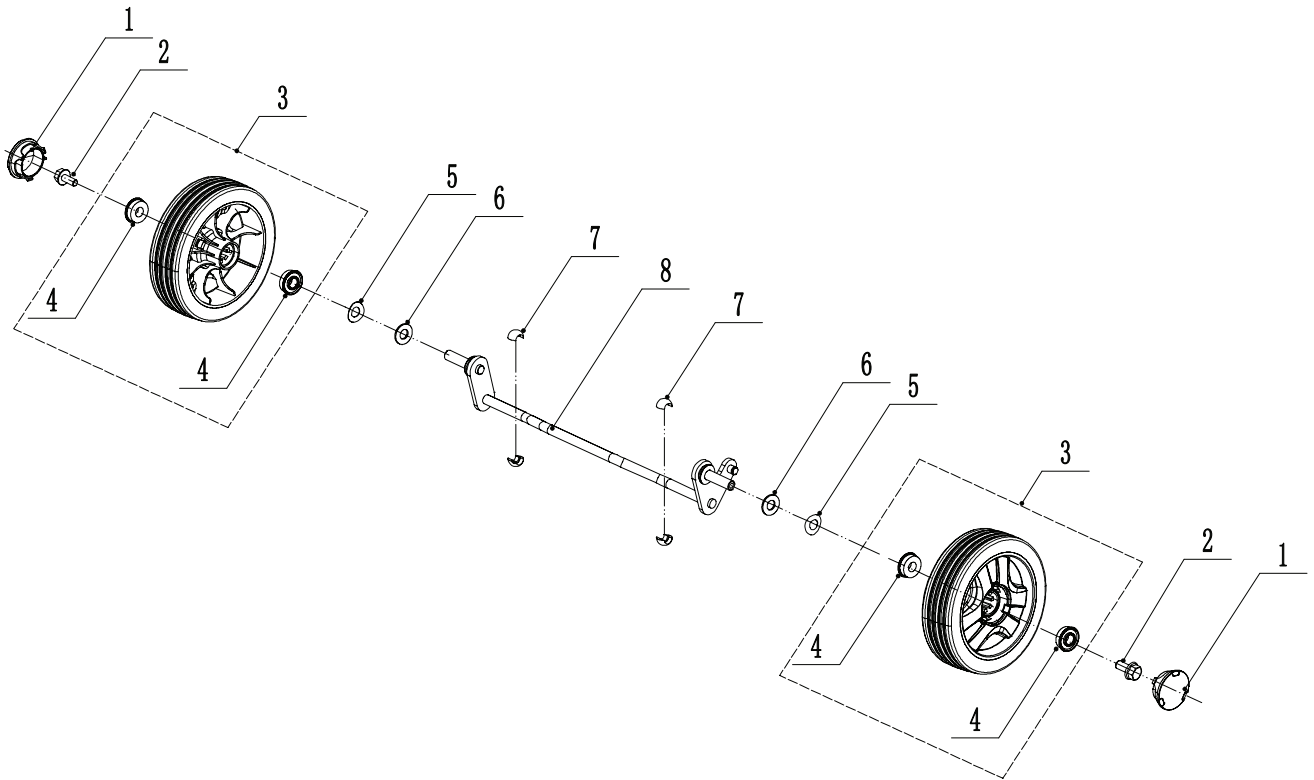
CAIMAN

Blade system

N°	Description	Part Number	Qty (UOM)
1	Bolt - M10X25	U536-00343	3
2	Key	U455-00039	2
3	Engine pully	U536-00346	1
4	Grub Screw - M6X6	U455-00041	1
5	V belt-V10×825	U536-00344	1
6	Belt Cover	U536-00345	1
7	Bolt - M6X12	U058-00002	1
9	Blade Boss	U537-00024	1
10	Friction disc	U455-00046	2
11	Blade - Standard	U536-00005	1
12	Locking Disc	U455-00048	1
13	Spring washer	U455-00049	1
14	Blade Bolt - 3/8X24X40	U537-00026	1

CAIMAN

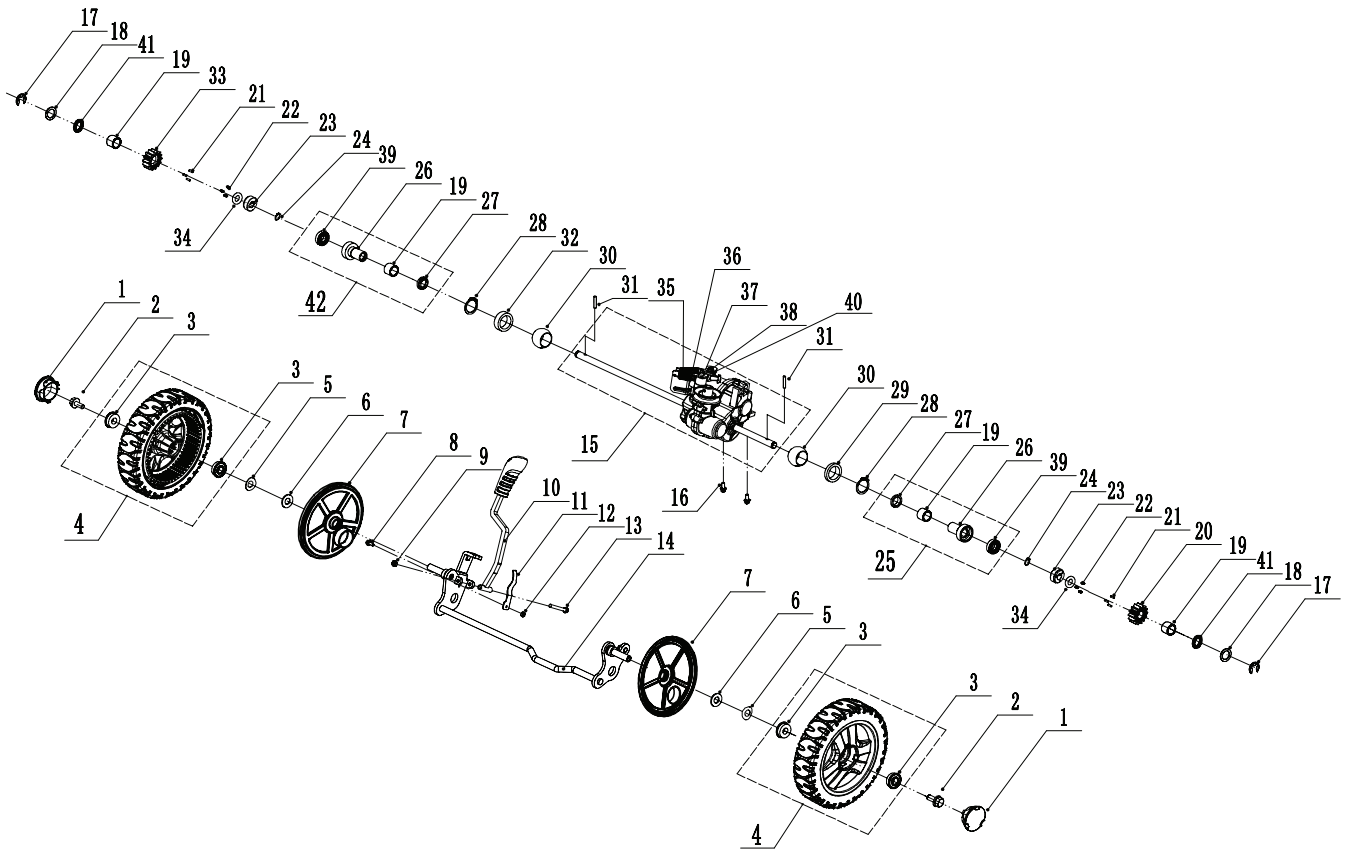
Front axle



N°	Description	Part Number	Qty (UOM)
1	Wheel Cap	U537F-0001	2
2	Bolt - M8x15	U455-00136	2
3	8" Wheel Assembly	U537F-0002	2
4	WEIBANG bearing	U455-00056	4
5	spacer spring	U455-00057	2
6	Plain Washer	U455-00058	2
7	Axle Bearing - Half	U455-00059	4
8	Front Axle	U536-00347	1

CAIMAN

Rear axle



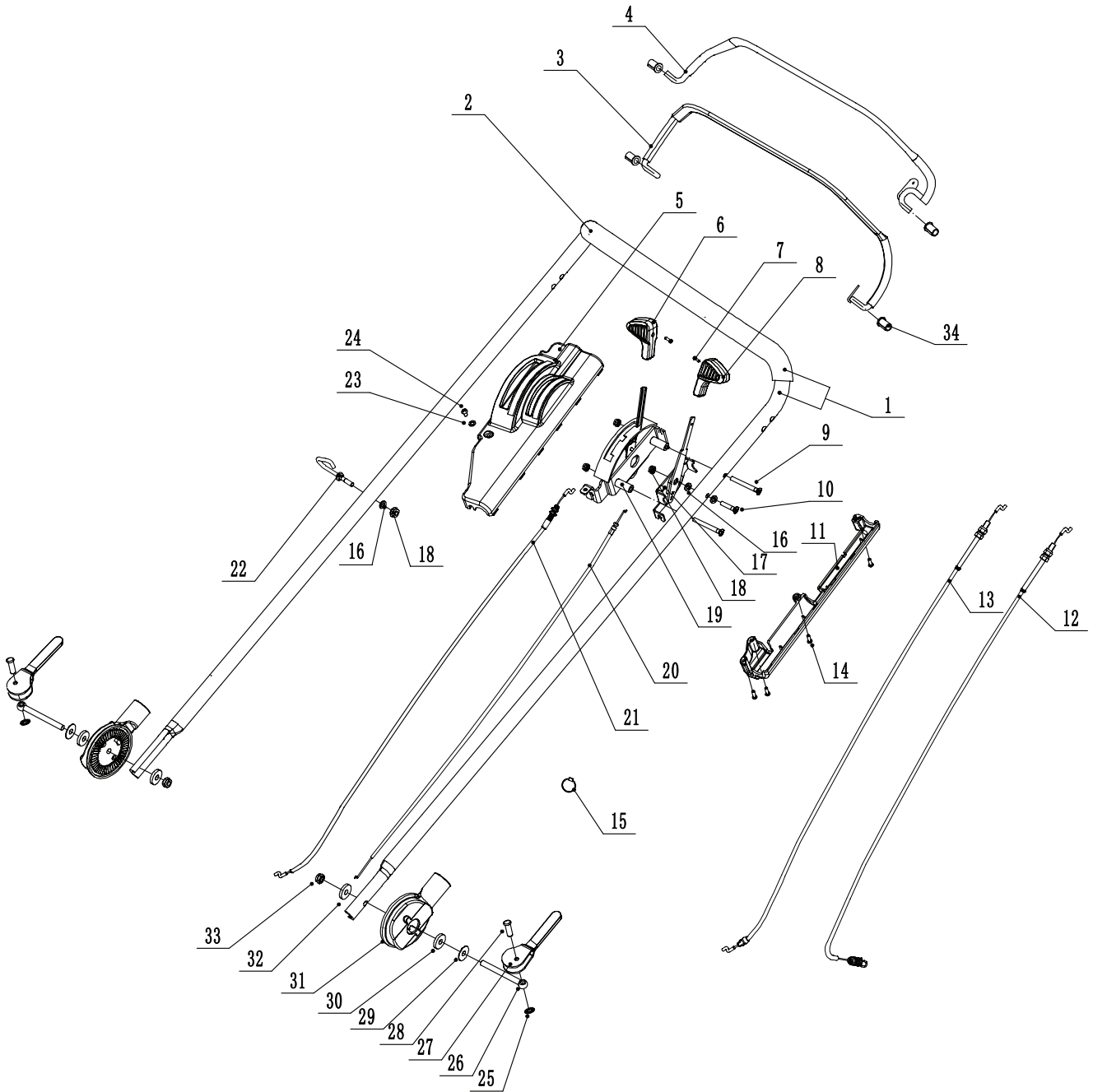
N°	Description	Part Number	Qty (UOM)
1	Wheel Cover	U537F-0001	2
2	Bolt - M8x15	U455-00136	2
3	Bearing	U455-00056	4
4	Rear Wheel - 9"	U456-00062	2
5	Spring washer	U455-00057	2
6	Washer	U455-00058	2
7	Wheel Cover - Inner	U456-00063	2
8	Bolt - M5X16	UG806-00023	1
9	Lock Nut - M6	U455-00013	1
10	Lever - Height Adjuster	U536-00348	1
11	Spring - Height Adjuster	U536-00179	1
12	Lock Nut - M5	U455-00006	1
13	Bolt - M6X55	UV160-00039	1
14	Rear Axle Frame	U536-00350	1

CAIMAN

N°	Description	Part Number	Qty (UOM)
15	Transmission Assembly	U536-00351	1
16	Bolt - M6X15	U058-00002	1
17	E-Clip - M9	U455-00085	2
18	Washer	U507-0019	2
19	Bearing	U455-00076	4
20	Drive Pinion - L/H	U455-00083	1
21	Pin - Drive Pinion	U455-00081	6
22	Spring - Drive Pinion	U455-00080	6
23	Block - Drive Pinion	U455-00079	2
24	Circlip - M12	U455-00077	2
25	Left bearing sheath assembly	U455-00074	1
26	Bearing sheath	U456-00049	2
27	Dustproof ring	U455-00075	2
28	Circlip - M20	U455-00068	2
29	Bearing bracket left washer	U536-00352	1
30	Nylon ball bearing	U455-00066	2
31	Check holder	U455-00078	2
32	Rear transmission spacer	U455-00067	1
33	Right pinion	U455-00082	1
34	O-Ring	U455-00089	2
35	Clutch return tension spring	U058-00071	1
36	Gear shift return tension spring	U058-00072	1
37	Clutch shift arm 1	U080-TW129	1
38	Screw - M6	U455-00020	2
39	Deep Groove Ball Bearing	U456-00006	2
40	Gear shift arm 1	U536-00356	1
41	O-ring	U536-00169	2
42	Right bearing sheath assembly	U455-00073	1

CAIMAN

Handle And Controls



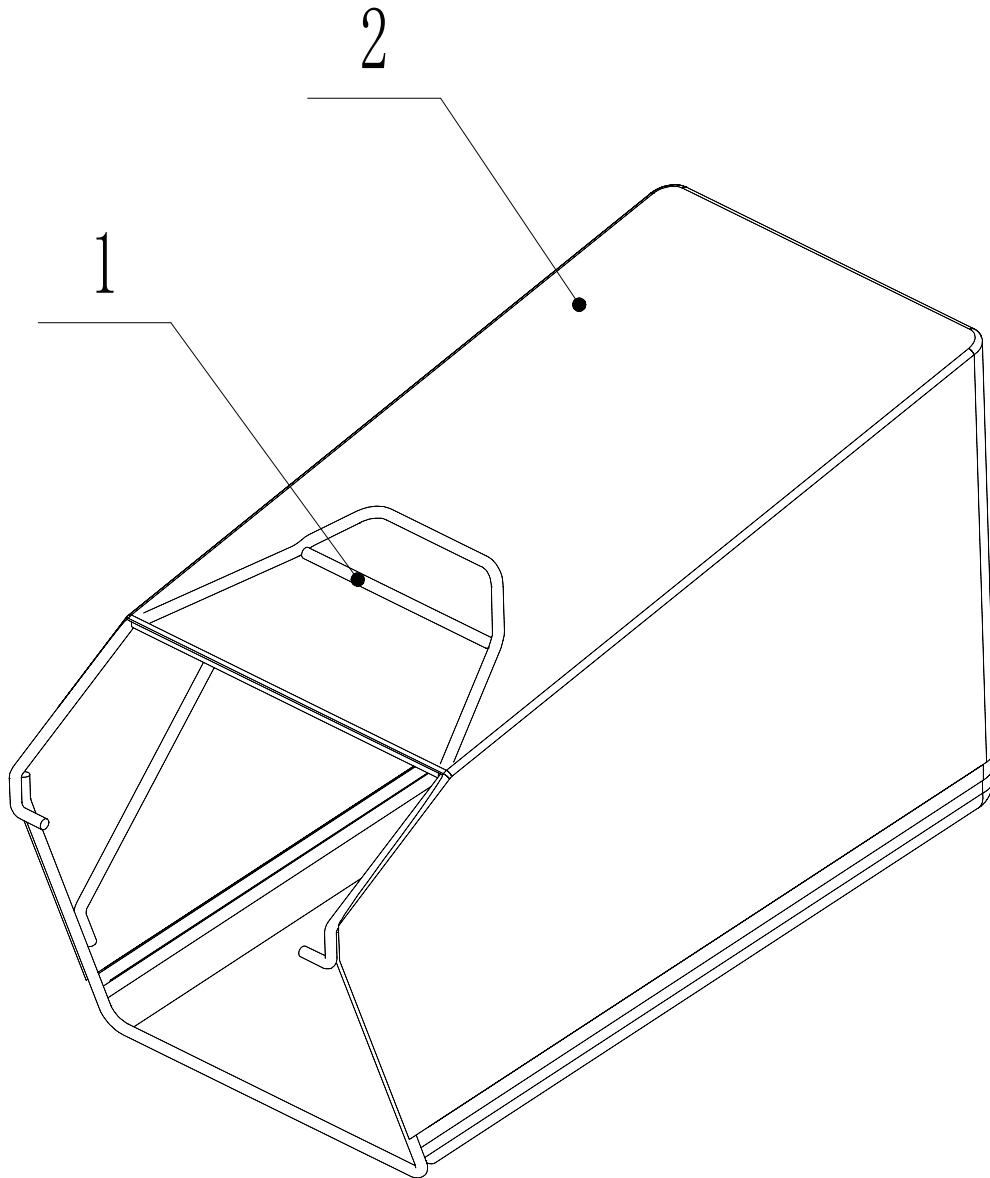
CAIMAN

Handle And Controls

N°	Description	Part Number	Qty (UOM)
1	Upper Handle	U537-00098	1
2	Handle Grip	U466-00016	1
3	Clutch Lever	U506-00031	1
4	OPC Lever	U506-00032	1
5	Control Cover - Upper	U455-00137	1
6	Grip - Speed Lever	U506-00034	1
7	Screw - ST2.9X13	U506-00035	2
8	Grip - Throttle Lever	U506-00036	1
9	Screw - M6X60	U506-00037	2
10	Screw - M6X50	U506-00038	1
11	Control Cover - Lower	U506-00039	1
12	Clutch Cable	U536-00357	1
13	OPC Cable	U455-00096	1
14	Screw	U506-00042	4
15	Cable Tie - 8X200	U456-00012	3
16	Washer - M6	U455-00054	8
17	Throttle Control Bracket	U506-00043	1
18	Lock nut-M6	U455-00013	4
19	Speed Control Bracket	U537-00041	1
20	Throttle cable 1140 or 1045	U536-00358 or U536-00364	1
21	Speed control cable	U536-00359	1
22	Hook - Starter Rope	U506-00048	1
23	Washer - M5	U506-00049	1
24	Screw - M5X8	U455-00069	1
25	Grip Fix	U455-00100	2
26	Bolt	U536-00360	2
27	Lever	U455-00102	2
28	Pin - 8X25	U455-00120	2
29	Spacer	U455-00104	2
30	Spacer	U455-00139	2
31	Height Adjuster Segment	U455-00106	2
32	Big flat washer - M8	U506-00058	2
33	Lock Nut - M8	UAE55-00062	2
34	Handle wear cover	U50I-00041	4

CAIMAN

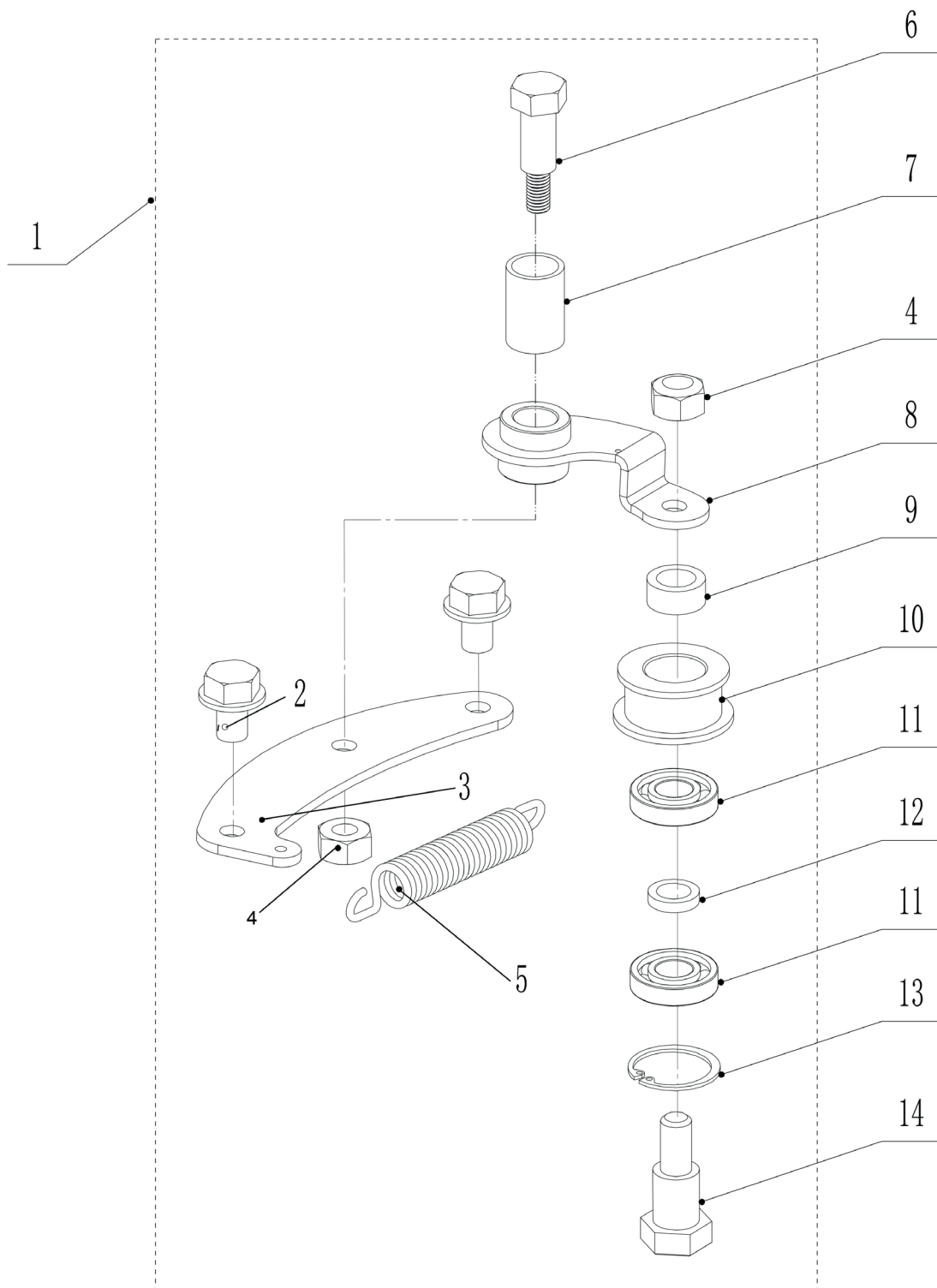
Grasscatcher



N°	Description	Part Number	Qty (UOM)
1	Grass catcher frame	U536-00361	1
2	Grass bag	U536-00362	1

CAIMAN

Tensional part



CAIMAN

Tensional part

N°	Description	Part Number	Qty (UOM)
1	Belt Tensioner Assembly	U456-00083	1
2	Bolt - 5/16X18X14	U536-00363	2
3	Tensional arm bracket	U456-00086	1
4	Lock nut-M8	U455-00007	2
5	Spring	U456-00087	1
6	Blade bolt	U456-00084	1
7	Nylon bush	U506-00055	1
8	The swinging arm welding	U456-00085	1
9	Spacer1	U506-00059	1
10	Tensional pulley	U506-00060	1
11	Bearing	U466-00002	2
12	Spacer2	U506-00062	1
13	Internal Circlip - M24	UV160-00067	1
14	Bolt - Tension Pulley	U506-00056	1