

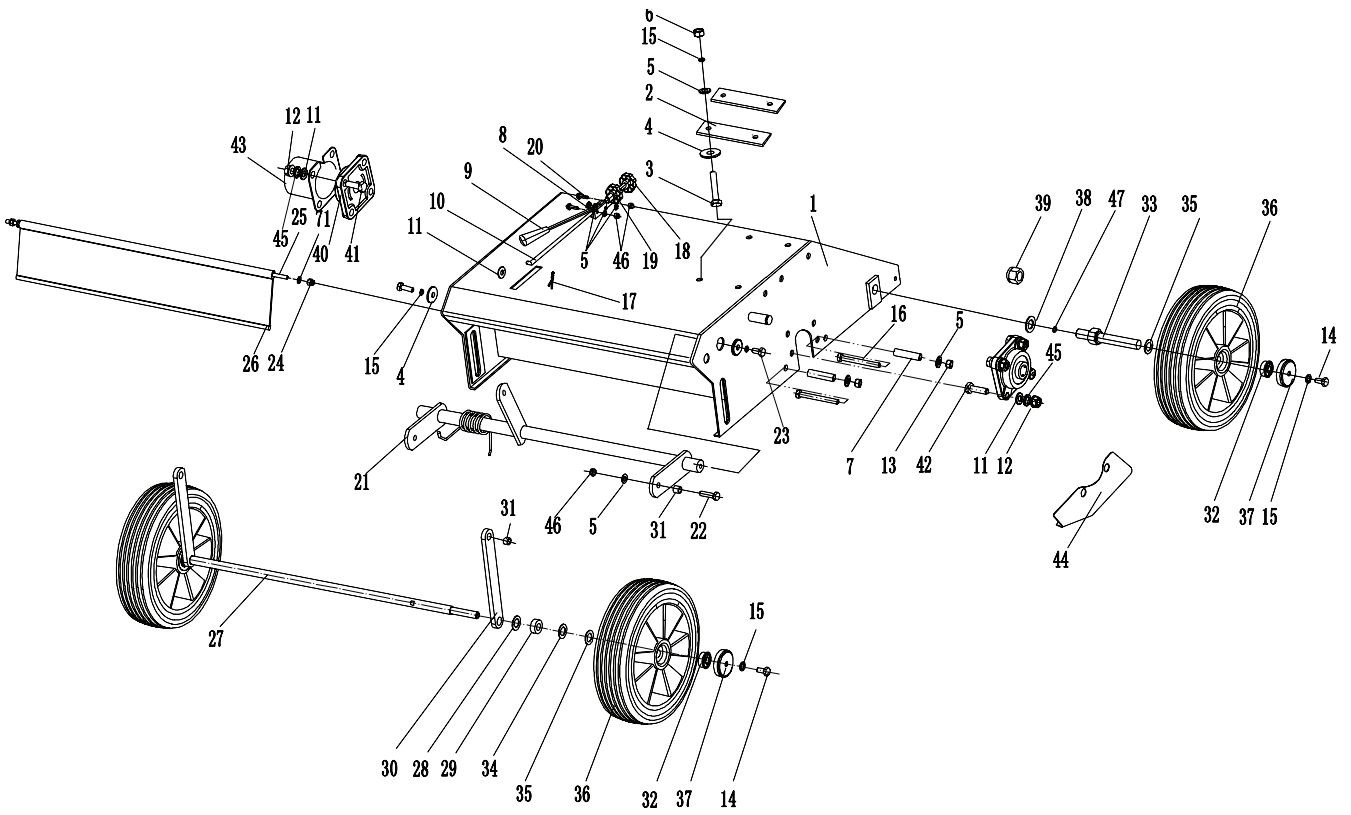
CAIMAN

Аэратор EDGAR 60CL



CAIMAN

Main Body



CAIMAN

Main Body

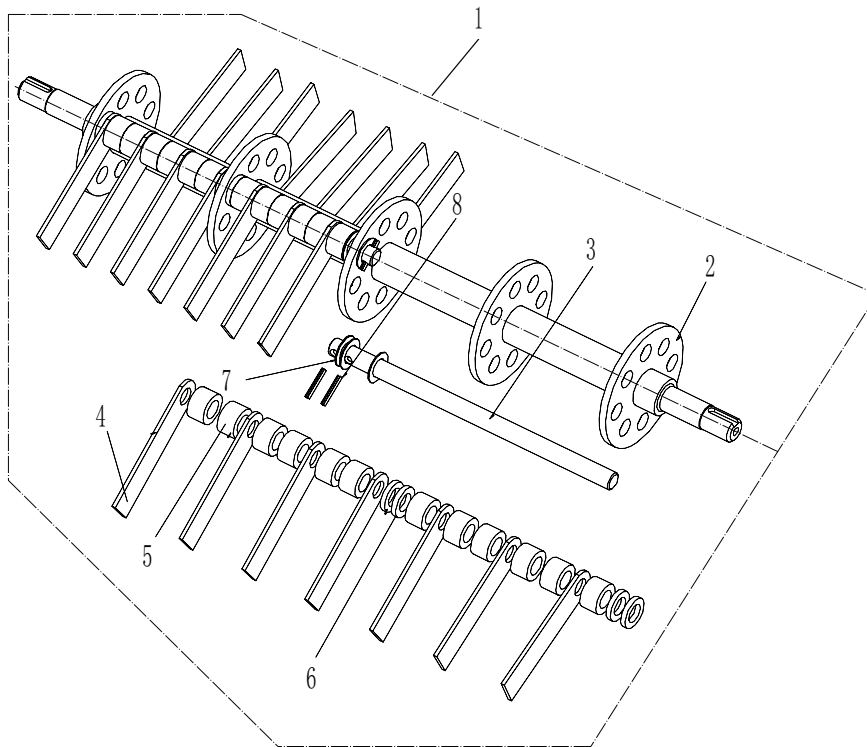
N°	Description	Part Number	Qty (UOM)
1	Chassis	U486-00005	1
2	Engine Washer	U486-00023	1
3	Bolt	UG700-00026	4
4	Bolt	UAE55-00052	4
5	Spacer	U455-00061	1
6	Lock Nut	UG700-00022	4
7	Bush	U384-00010	2
8	Adjustment Lever	U486-00009	1
9	Adjustment Lever Grip	U486-00001	1
10	Adjustment Lever Hook	U486-00010	1
11	Flat Washer	U455-00029	9
12	Lock Nut	U537-00125	8
14	Bolt	U455-00052	4
15	Spring Washer	U455-00053	4
16	Bolt	U384-00001	2
17	Check Ring	U455-00032	1
18	Plastic Grip	U486-00002	1
19	Plastic Grip	U486-00015	1
20	Hex Flange Bolt	UR390-00083	2
21	Lever Axle Weldment	U486-00013	1
22	Flange Bolt	UG700-00095	2
23	Flange Bolt	UR200-00054	2
24	Lock Nut	U455-00013	2
25	Rear Cover Axle	U486-00011	1
26	Rear Cover	U486-00012	1
27	Front Axle	U486-00016	1
28	Spacer	U486-00017	2
29	Spacer1	U486-00018	2
30	Connecting Rod	U486-00019	2
31	Connecting Rod Inner Partition	U486-00020	2
32	Bearing	U455-00056	8
33	Rear Axle	U486-00021	2
34	Axle Washer	U455-00058	2

CAIMAN

N°	Description	Part Number	Qty (UOM)
35	Spacer	U455-00057	4
36	Wheel 8"	U486-00022	4
37	Wheel Cap	U456-00068	4
38	Flat Washer	UR200-00071	2
39	Lock Nut	US270-00093	2
40	Bearing With Holder	U486-00039	2
41	Bolt	UT160-00083	4
42	Bolt	UG806-00032	4
43	Axle Head Sleeve	U486-00029	1
44	Chassis Protection Plate	U486-00006	1
45	Spring Washer	UR200-00070	8
46	Lock Nut	U455-00007	3
47	Flat Washer	UR200-00069	4

CAIMAN

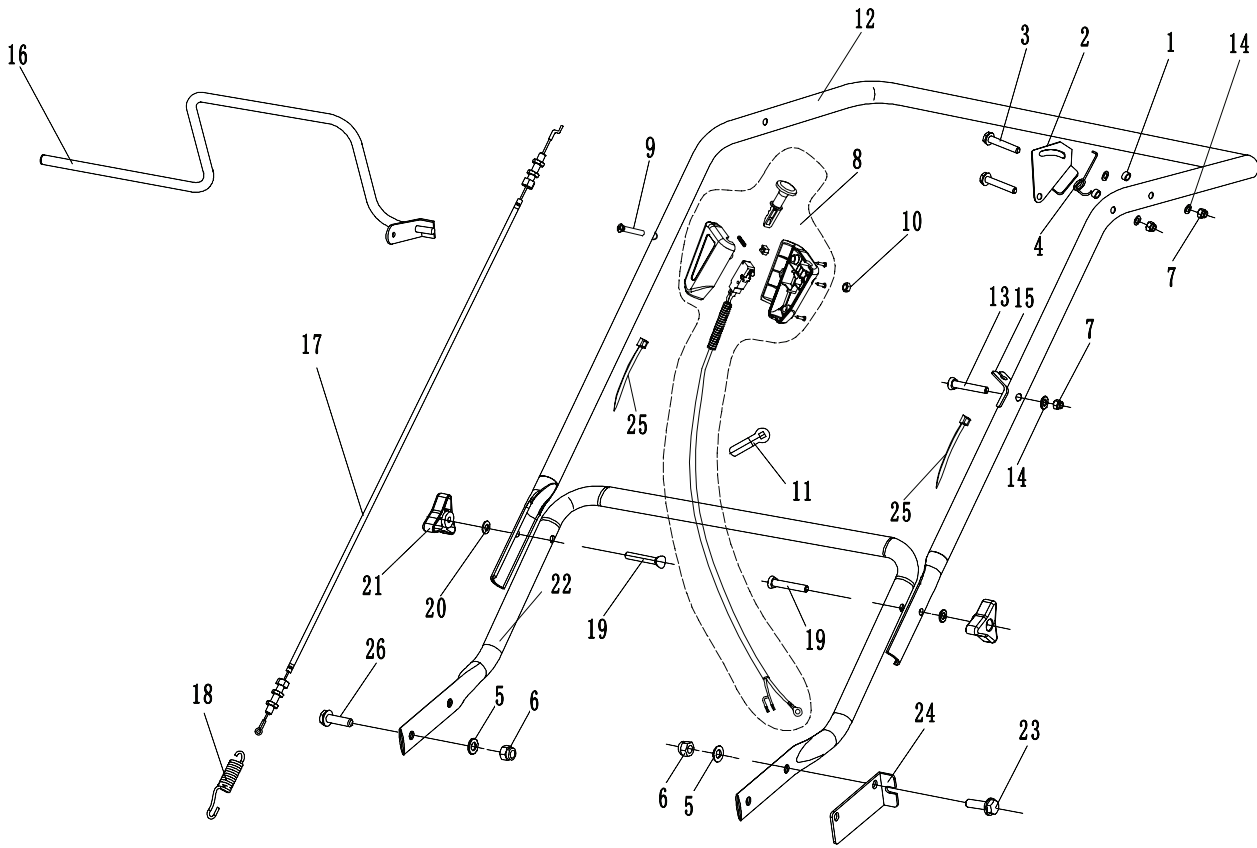
Blade Component



N°	Description	Part Number	Qty (UOM)
1	Swing blade shaft assembly	U486-00043	1
2	Rotor Assembly	U486-00024	1
3	Blade Pivot	U486-00025	4
4	Blade	U486-00003	28
5	Blade Bush II	U486-00026	48
6	Blade Bush I	U486-00027	14
7	Nylon Spacer	U486-00028	12
8	Spring Pin	U384-00005	8

CAIMAN

Handle And Controls



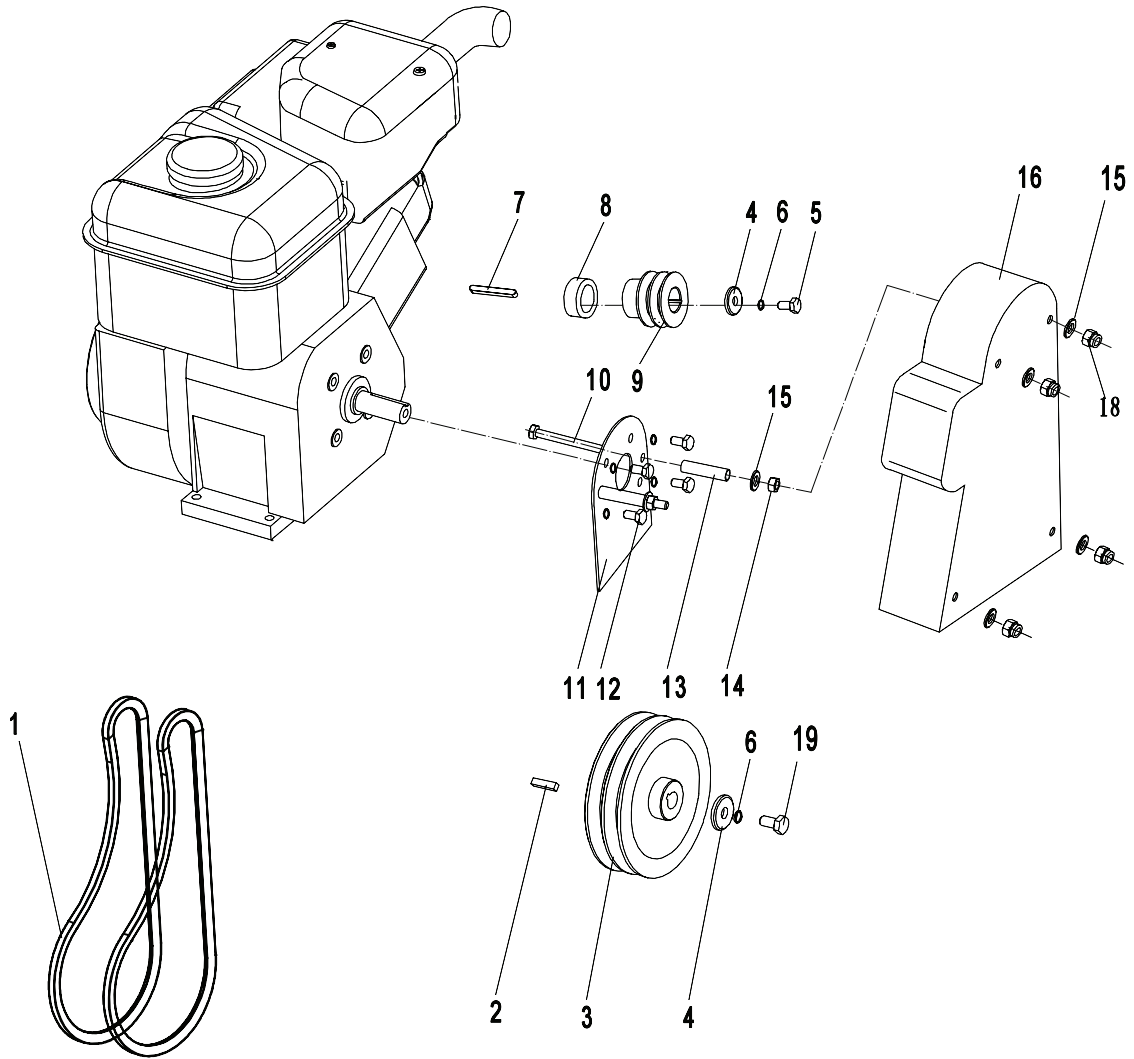
CAIMAN

Handle And Controls

N°	Description	Part Number	Qty (UOM)
1	Upper Handle Limit Plate Partition	U384-00038	2
2	Upper Handle Limit Plate	U384-00036	1
3	Screw - M6*40	UG700-00007	2
4	Torsional Spring	U384-00039	1
5	Flat Washer	U455-00029	2
6	Lock nut	U537-00125	2
7	Lock nut	U455-00013	2
8	Switch	U486-00041	1
9	Cross Head Screw	UG700-00008	1
10	Nut	U455-00013	1
11	Cable Pressing Bracket	UV160-00060	1
12	Upper Handle	U486-00031	1
13	Cross Head Screw	U384-00002	1
14	Spacer	U455-00054	3
15	Cluth Cable Bracket	UG700-00016	1
16	Clutch handle assembly	U486-00032	1
17	Clutch Cable	U486-00033	1
18	Tensional Spring	U486-00034	1
19	Screw - 8x45	U537-00143	2
20	Washer	U453-0042	2
21	Handle Wheel	UV180-00003	2
22	Lower Handle	U486-00036	1
23	Flange Bolt	UR200-00061	2
24	Cable Bracket	U486-00035	1
25	Tie	U456-00012	2
26	Flange Bolt	UR200-00056	2

CAIMAN

Pulley



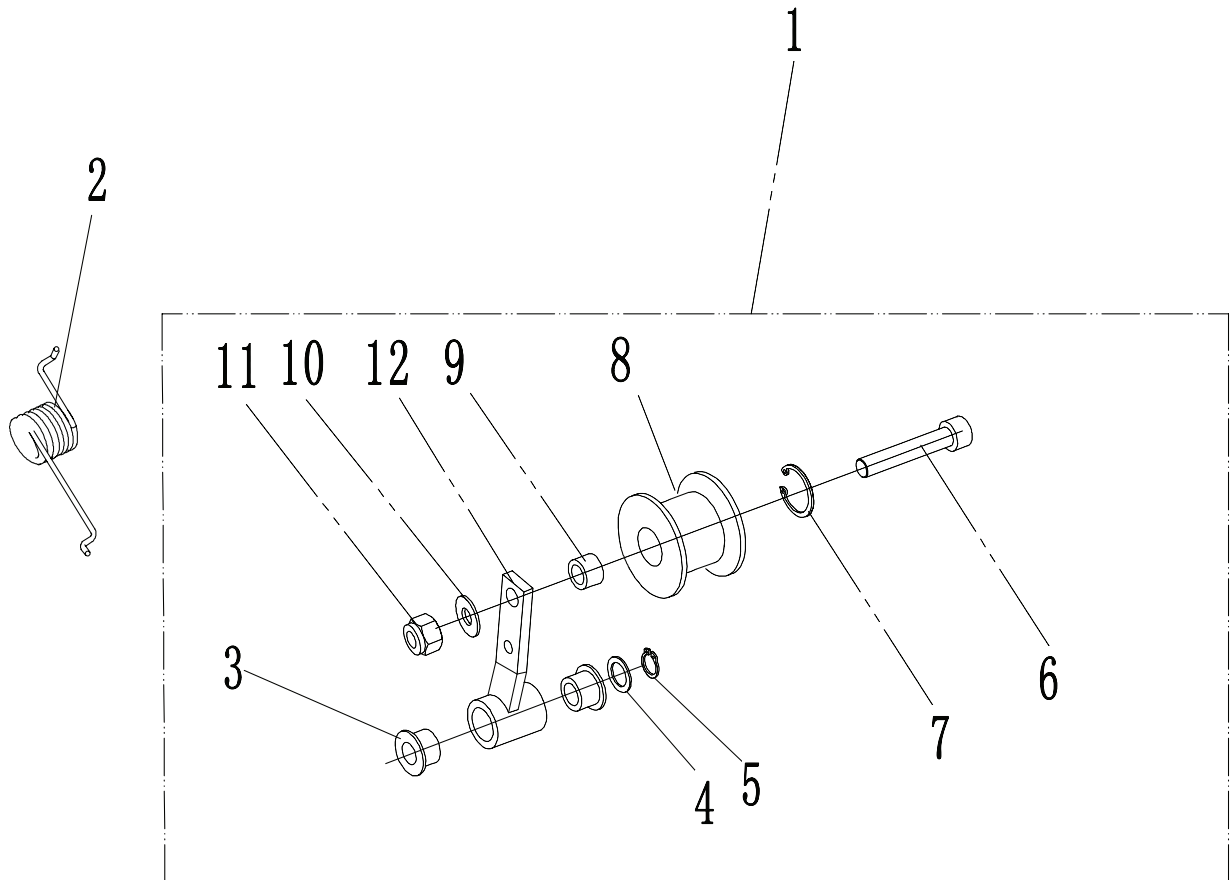
CAIMAN

Pulley

N°	Description	Part Number	Qty (UOM)
1	Belt	U536-00250	2
2	Key	U384-00007	1
3	Big Pulley	U384-00025	1
4	Big Washer	UAE55-00052	2
5	Bolt	U384-00012	1
6	Spring Washer	U455-00053	2
7	Key	U384-00008	1
8	Engine Pulley Bush	U384-00021	1
9	Engine Pulley	U384-00024	1
10	Bolt	UG390-00033	2
11	Engine Plate	U486-00008	1
12	Screw	UA516-00042	4
13	Bush Washer	U384-00010	2
14	Nut	UG700-00022	2
15	Flat Washer	U455-00061	12
16	Belt Shield	U486-00014	1
18	Cap Nut	U455-00007	4
19	Bolt	U455-00052	1

CAIMAN

Tensioner



N°	Description	Part Number	Qty (UOM)
1	Tensioner assembly	U486-00040	1
2	Torsional Spring	U384-00011	1
3	Nylon Bush	UG700-00157	2
4	Flat Washer	UR200-00074	1
5	Check Ring	U455-00077	1
6	Bolt	UAE55-00021	1
7	Check Ring For Hole	UAE55-00017	1
8	Tensioner assembly	U384-00026	1
9	Outside Partition	U384-00027	1
10	Flat Washer	U455-00029	1
11	Lock Nut	U536-00083	1
12	Tensional Arm	U486-00007	1