

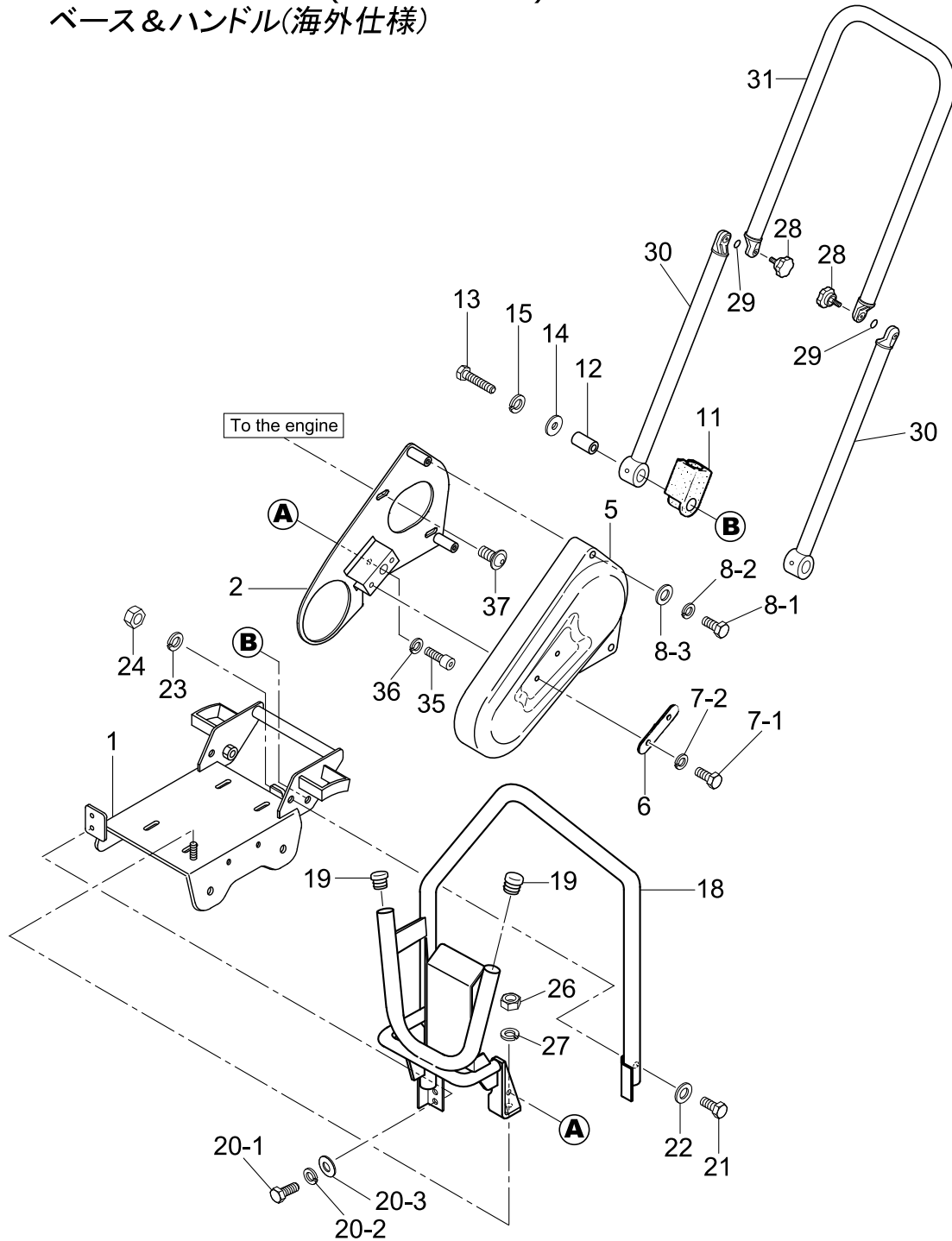
BASE\_HANDLE (EXP MODEL)

**MVC-40H**

4XL0

**BASE & HANDLE (EXP MODEL)**

ベース&ハンドル(海外仕様)



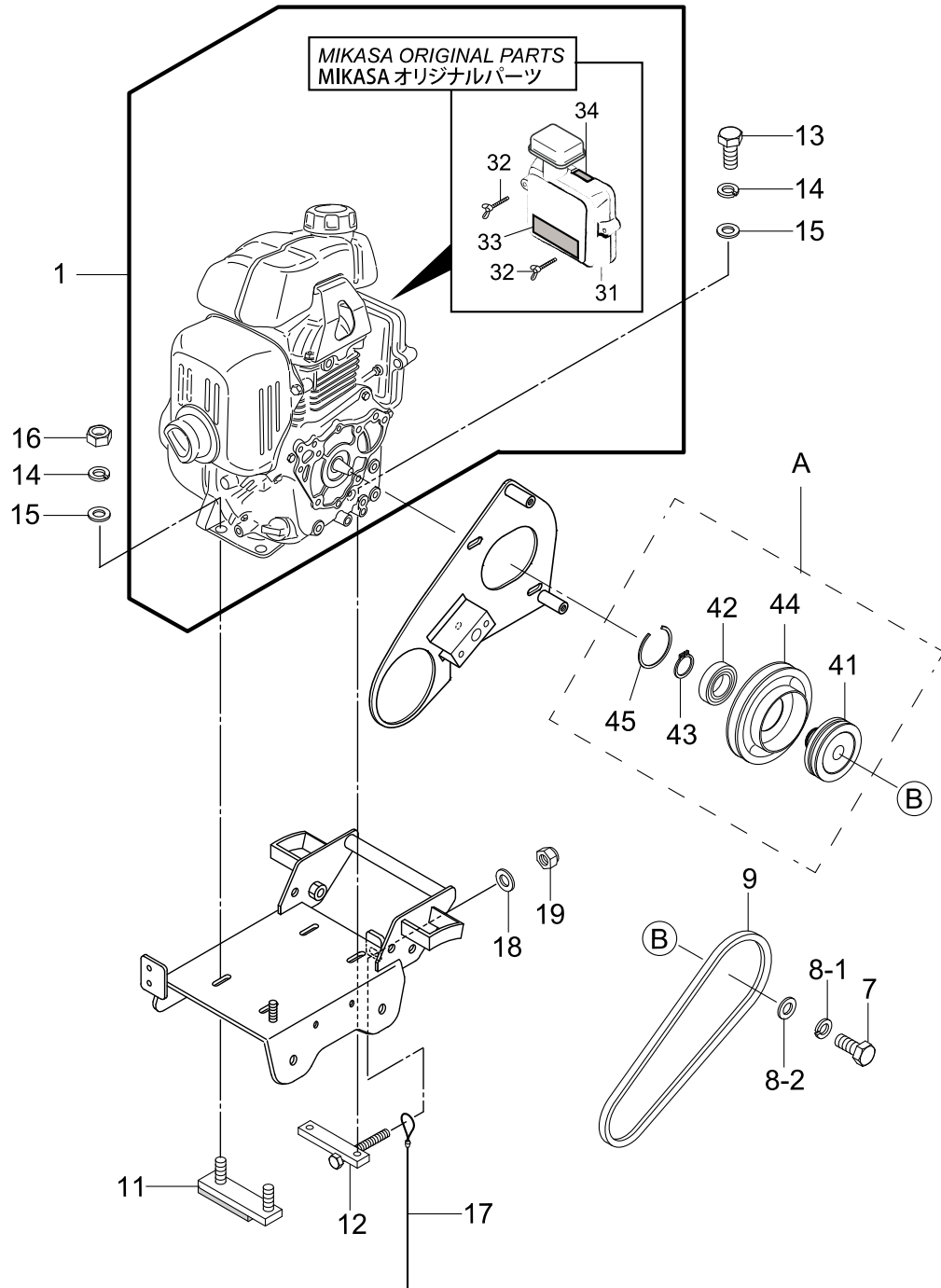
BASE\_HANDLE (EXP MODEL)

NO.	PART/NO.	PartsName	Q' TY	MK2	REMARKS
1	4171-22340	BASE /MVC-40H	1		
2	4171-22360	BELT COVER (IN) /MVC-40H	1		
5	4171-22350	BELT COVER /MVC-40H	1		
6	4174-66230	PLATE (BELT COVER) /40GB	1		
7-1	0012-20820	BOLT 8X20 T	2		
7-2	0302-08200	SW M8	2		
8-1	0012-20815	BOLT 8X15 T	2		
8-2	0302-08200	SW M8	2		
8-3	0311-08160	PW M8	2		
11	4174-54411	HANDLE STOPPER /MVC-40G	2		
12	4174-54420	COLLAR 10.5-20-37.5L	2		
13	0012-21052	BOLT 10X60 T	2		
14	9524-01660	WASHER 103045	2		
15	0302-10250	SW M10	2		
18	4171-22380	GUARD HOOK /MVC-40H	1		
19	9594-08080	CAP, PIPE (19.1)	2		
20-1	0012-20820	BOLT 8X20 T	2		
20-2	0302-08200	SW M8	2		
20-3	0311-08160	PW M8	2		
21	0012-21025	BOLT 10X25 T	1		
22	0311-10160	PW M10	1		
23	0302-10250	SW M10	1		
24	0203-10080	NUT M10	1		
26	0203-08060	NUT M8	1		
27	0302-08200	SW M8	1		
28	9594-06961	GRIP BOLT 45X10X30	2	!9594-10490	
28	9594-10490	T-KNOB M10X33L	2		
29	0502-00080	O-RING P-8	2	SX	
30	4173-52430	HANDLE (LOWER) /MVC-40GB	2		
31	4173-55580	HANDLE (UPPER) /MVC-40H	1		
35	0015-20812	SOCKET HEAD BOLT 8X12 T	1		
36	0302-08200	SW M8	1		
37	0091-10102	SOCKET HEAD SCREW 8X16	2		
40	4179-10030	FOLDING HANDLE CP/40H, EXP	1		EXP

ENGINE (JAPAN MODEL)

**MVC-40H**  
ENGINE / エンジン  
JAPAN MODEL / 日本仕様

4ZN0



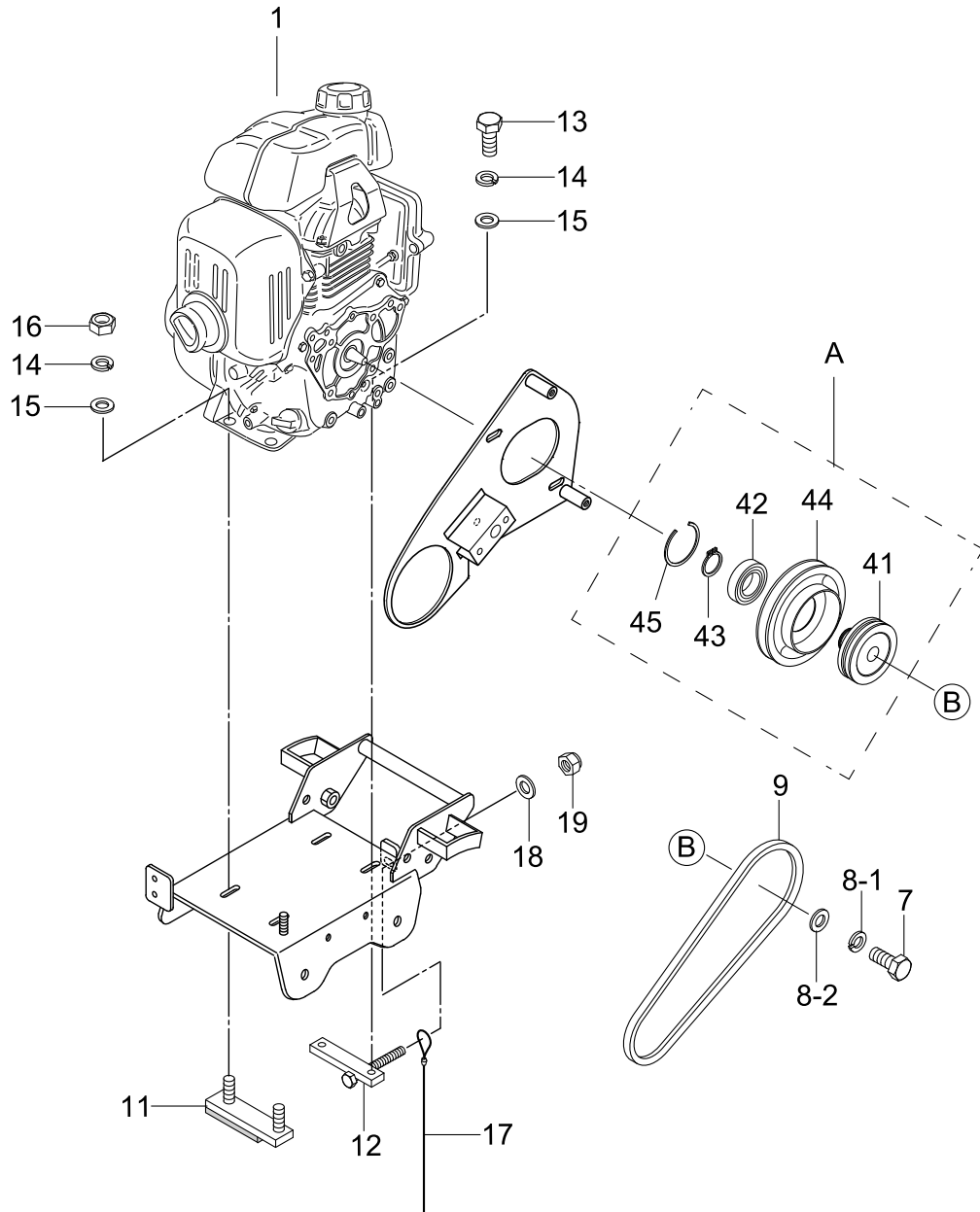
ENGINE (JAPAN MODEL)

NO.	PART/NO.	PartsName	Q' TY	MK2	REMARKS
A	4173-55090	CLUTCH AY /MVC-40H	1		INCL, 41-45
1	9122-10100	ENGINE AY GX100/MVC/JP	1		
7	0012-20825	BOLT 8X25 T	1		
8-1	0302-08200	SW M8	1		
8-2	0311-08160	PW M8	1		
9	0701-00282	V-BELT A-28 /RPF3280	1		
11	4174-70980	PLATE BOLT WITH RUBBER/GX	1		
12	4174-71110	ENGINE NUT, REAR /MVC-40H	1		
13	0012-20820	BOLT 8X20 T	2		
14	0302-08200	SW M8	4		
15	0311-08160	PW M8	4		
16	0203-08060	NUT M8	2		
17	9594-04350	EARTH WIRE	1		
18	0311-08160	PW M8	1		
19	0227-10809	NYLON NUT M8	1		
31	4174-73120	INTAKE COVER CP/JP	1		ORIGINAL
32	0091-20901	WING BOLT 6X40	2		ORIGINAL
33	87520-ZL8-810	MARK A, COMBINATION (J)	1		
34	87528-Z0D-000	MARK, CHOKE	1		
41	4173-55080	CLUTCH SHOE&BOSS AY/40H	1		
42	0440-06006	BEARING 6006VV	1		
43	0802-00300	STOP RING S-30	1		
44	4174-70990	CLUTCH DRUM /MVC-40H	1	OJH	
45	0806-00550	STOP RING AR-55	1		

ENGINE (EXP MODEL)

**MVC-40H**  
ENGINE / エンジン  
EXP MODEL / 海外仕様

4Z00



ENGINE (EXP MODEL)

NO.	PART/NO.	PartsName	Q' TY	MK2	REMARKS
A	4173-55090	CLUTCH AY /MVC-40H	1		INCL, 41-45
1	9122-10034	ENGINE AY GX100T-VAM	1		
7	0012-20825	BOLT 8X25 T	1		
8-1	0302-08200	SW M8	1		
8-2	0311-08160	PW M8	1		
9	0701-00282	V-BELT A-28 /RPF3280	1		
11	4174-70980	PLATE BOLT WITH RUBBER/GX	1		
12	4174-71110	ENGINE NUT, REAR /MVC-40H	1		
13	0012-20820	BOLT 8X20 T	2		
14	0302-08200	SW M8	4		
15	0311-08160	PW M8	4		
16	0203-08060	NUT M8	2		
17	9594-04350	EARTH WIRE	1		
18	0311-08160	PW M8	1		
19	0227-10809	NYLON NUT M8	1		
41	4173-55080	CLUTCH SHOE&BOSS AY/40H	1		
42	0440-06006	BEARING 6006VV	1		
43	0802-00300	STOP RING S-30	1		
44	4174-70990	CLUTCH DRUM /MVC-40H	1	OJH	
45	0806-00550	STOP RING AR-55	1		

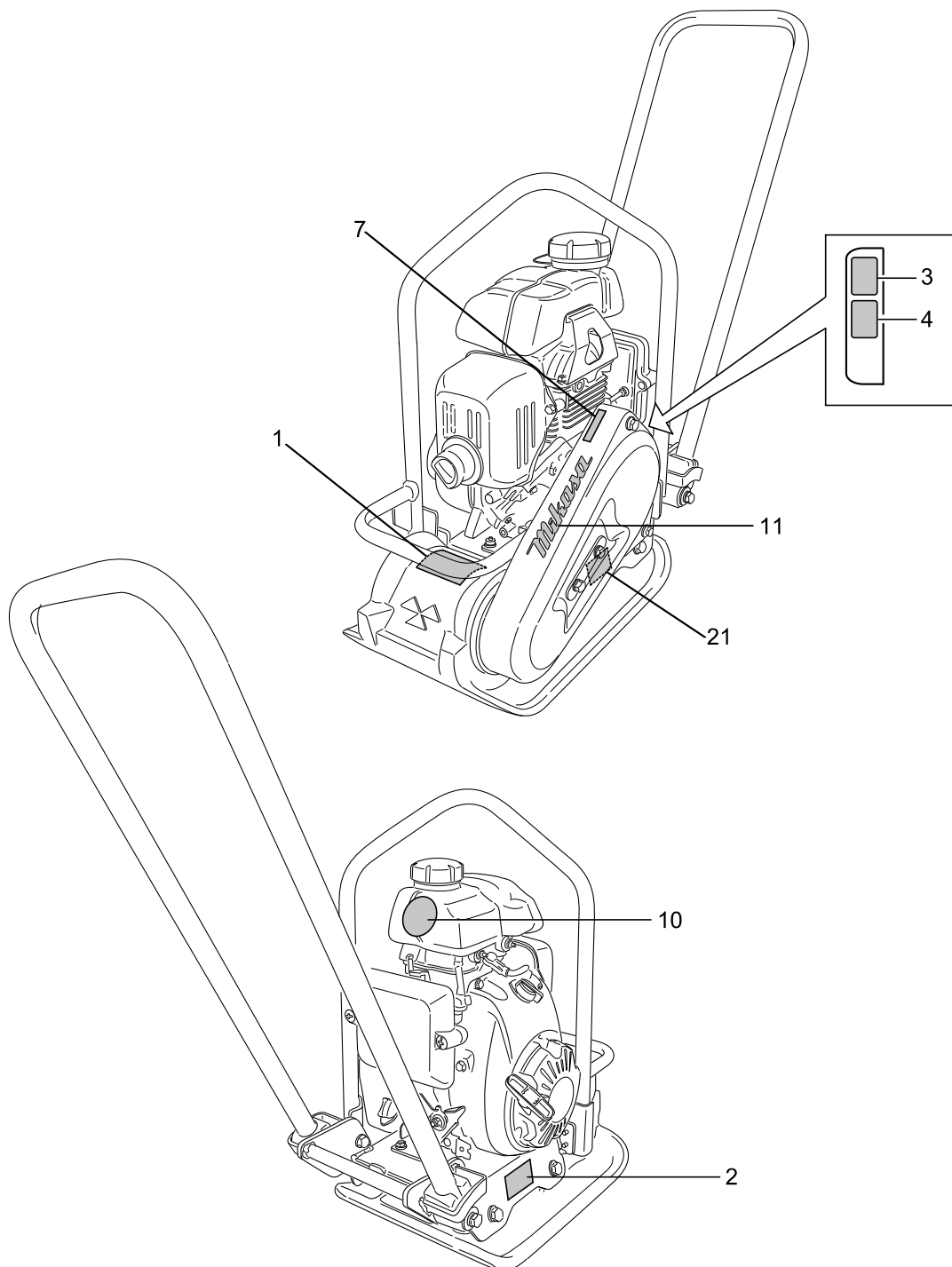
NAMEPLATE\_DECAL (JAPAN MODEL)

## MVC-40H

4YH0

NAME PLATE & DECAL (JAPAN MODEL)

銘板関係 (国内仕様)



NAMEPLATE\_DECAL (JAPAN MODEL)

NO.	PART/NO.	PartsName	Q' TY	MK2	REMARKS
1	9201-04950	DECAL, CAUTION /NP-495	1		
2	9201-06810	DECAL, CAUTION	1		
3	9201-08350	DECAL, CAUTION (MANUAL/JP	1		
4	9201-08360	DECAL, DANGER	1		
7	9202-21990	DECAL, V-BELT / RPF-3280	1		
10	9202-03330	EAR PROTECTION LABEL	1		
11	9201-13430	DECAL, MIKASA MARK 125MM	1		
21	9201-13350	PLATE SERIAL NO. /40H/JP	1	!SD	



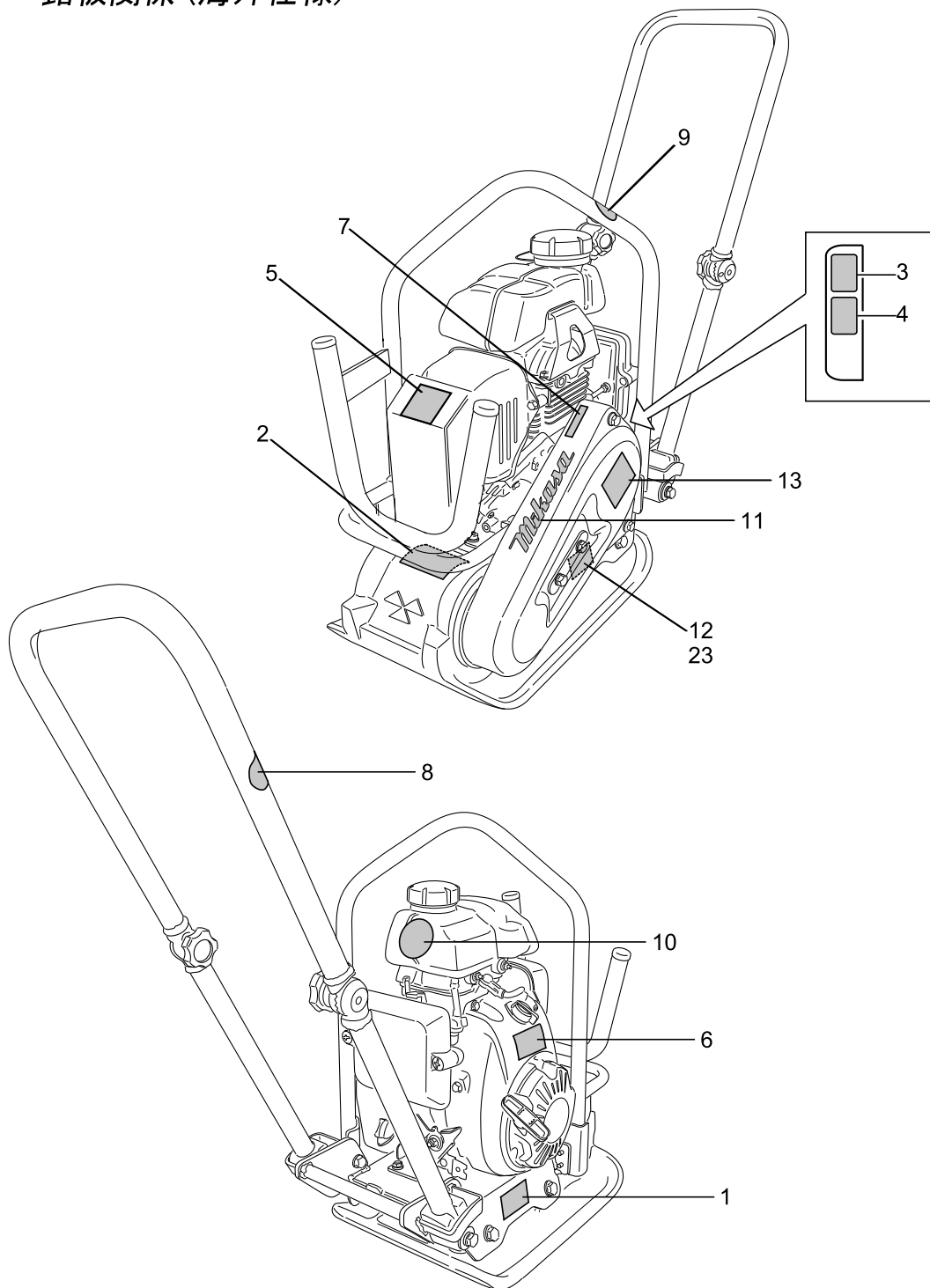
NAMEPLATE\_DECAL (EXP MODEL)

# MVC-40H

4XN0

## NAME PLATE & DECAL (EXP MODEL)

銘板関係 (海外仕様)



NAMEPLATE\_DECAL (EXP MODEL)

NO.	PART/NO.	PartsName	Q' TY	MK2	REMARKS
1	9202-03060	DECAL, CAUTION	1	!SD	MQ
2	9202-03290	DECAL, CAUTION	1		MQ
3	9202-06290	DECAL, CAUTION (MANUAL/EXP	1		MQ
4	9202-06280	DECAL, DANGER	1		MQ
5	9202-12320	DECAL, FUEL CAUTION/MVC	1		MQ
6	9202-14100	DECAL , E/G FIRE WARNING	1		MQ
7	9202-21990	DECAL, V-BELT / RPF-3280	1		MQ
8	9209-00180	DECAL. SET TWO KINDS	1		INCL, 9
10	9202-03330	EAR PROTECTION LABEL	1		
11	9201-13430	DECAL, MIKASA MARK 125MM	1		
12	9202-21790	PLATE SERIAL NO. /MQ	1		MQ
13	9202-20220	DECAL, MQ MARK 72X57	1		MQ
21	9209-00090	DECAL, SET/MVC-MCD/EXP, EU	1		INCL, 8-9, 22
23	9202-21660	PLATE SERIAL NO. /40H/EXP	1		EXP
31	9202-15650	DECAL, HUTTER 40X230 /40G	1		HUTTER
32	9201-14000	DECAL, MIKASA (125MM) BLACK	1		HUTTER
33	9202-20190	DECAL, HUTTER, 3ANS GARANTIE	1		HUTTER