

COVER

PARTS LIST
パーツリスト

**REVERSIBLE
COMPACTOR**
バイブロコンパクター

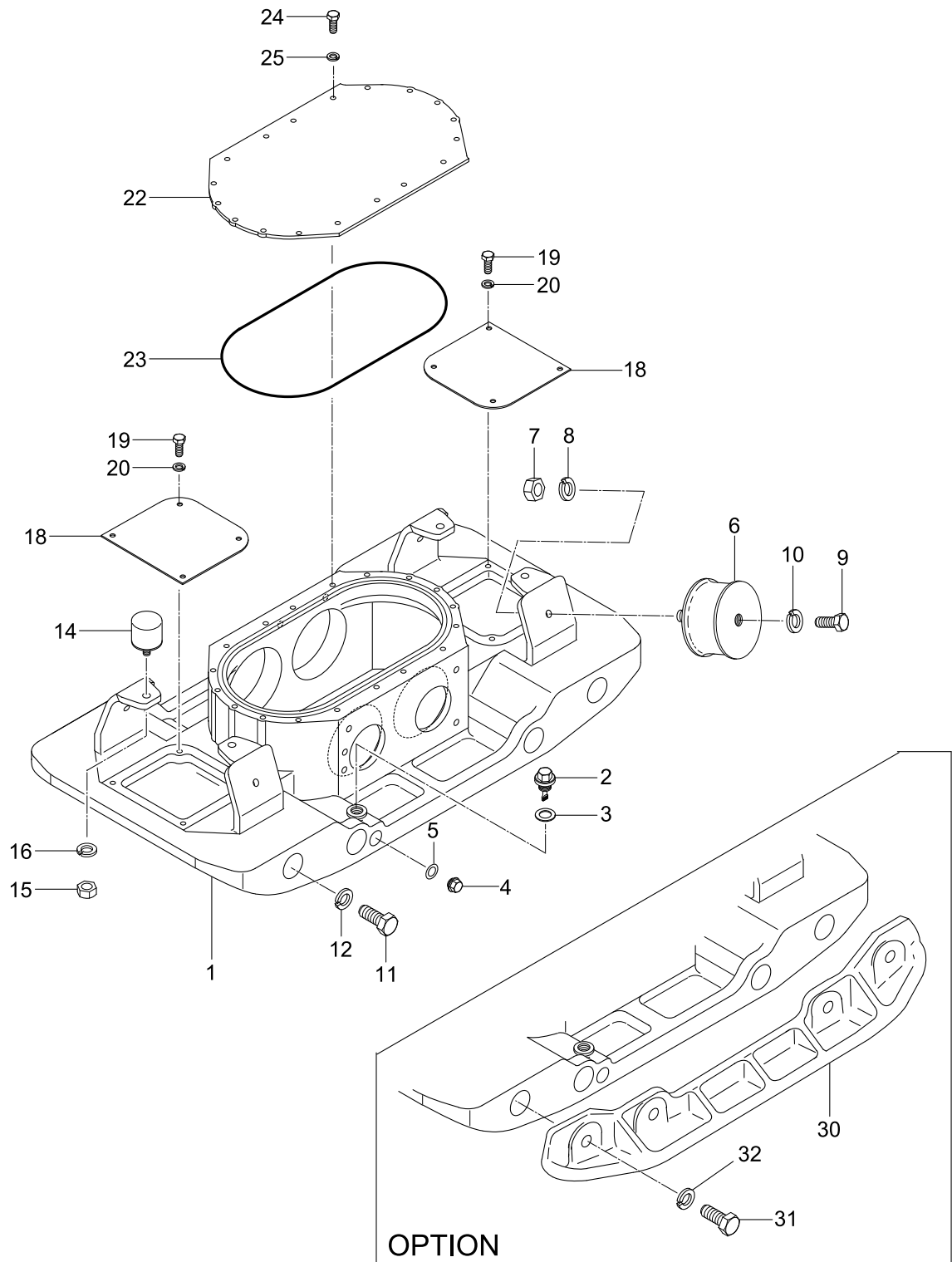
MIKASA SANGYO CO., LTD.
三笠産業株式会社

VIBRATING PLATE

MVH-308

4SY0

VIBRATING PLATE



VIBRATING PLATE

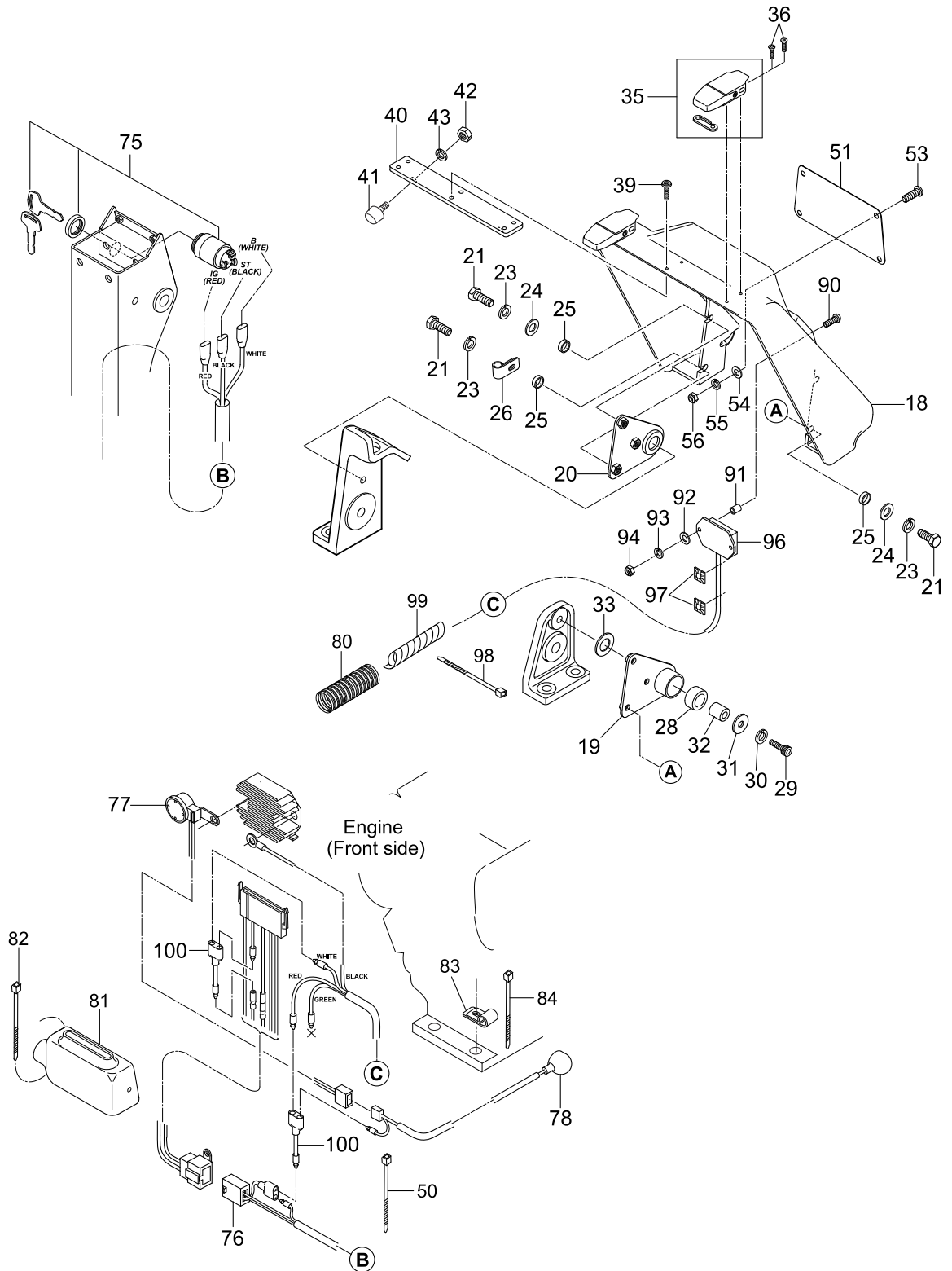
NO.	PART/NO.	PartsName	Q' TY	MK2	REMARKS	List Price
1	4671-21091	VIBRATING PLATE/MVH-308	1			20000
2	4654-60670	OIL GAUGE /MVH-406	1	SX		3500
3	9534-02930	COPPER PACKING 19X30X1	1			300
4	9534-00270	PLUG 1/4X14 10L	1			770
5	9534-05260	PACKING 1/4 (CU)	1			170
6	9390-10260	SHOCK ABSORBER 110X60H	4	SX		5350
7	0203-16130	NUT M16	4			230
8	0302-16400	SW M16	4			48
9	0012-21635	BOLT 16X35 T	4			350
10	0302-16400	SW M16	4			48
11	0012-21830	BOLT 18X30 T	8			560
12	0302-18460	SW M18	8			72
14	9390-10010	SHOCK ABSORBER, STOPPER45	4			1190
15	0203-10080	NUT M10	4			48
16	0302-10250	SW M10	4			21
18	4673-51780	COVER, VIB. PLATE /MVH-308	2			2150
19	0012-20820	BOLT 8X20 T	8			88
20	0302-08200	SW M8	8			21
22	4673-51790	COVER, VIBRATOR /MVH-308	1			4900
23	0501-03250	O-RING G-325	1			3500
24	0012-20820	BOLT 8X20 T	18			88
25	0302-08200	SW M8	18			21
30	4672-19050	EXTENSION PLATE /MVH-308	2		2PCS (1SET]PD	25900
31	0012-21850	BOLT 18X50 T	8			650
32	0302-18460	SW M18	8			72

ELECTRIC DEVICE_YANMAR_NOT PAS

MVH-308

4UM0

ELECTRIC DEVICE : Without compaction sensor(YANMAR: L70N, L70V)



ELECTRIC DEVICE_YANMAR_ NOT PAS

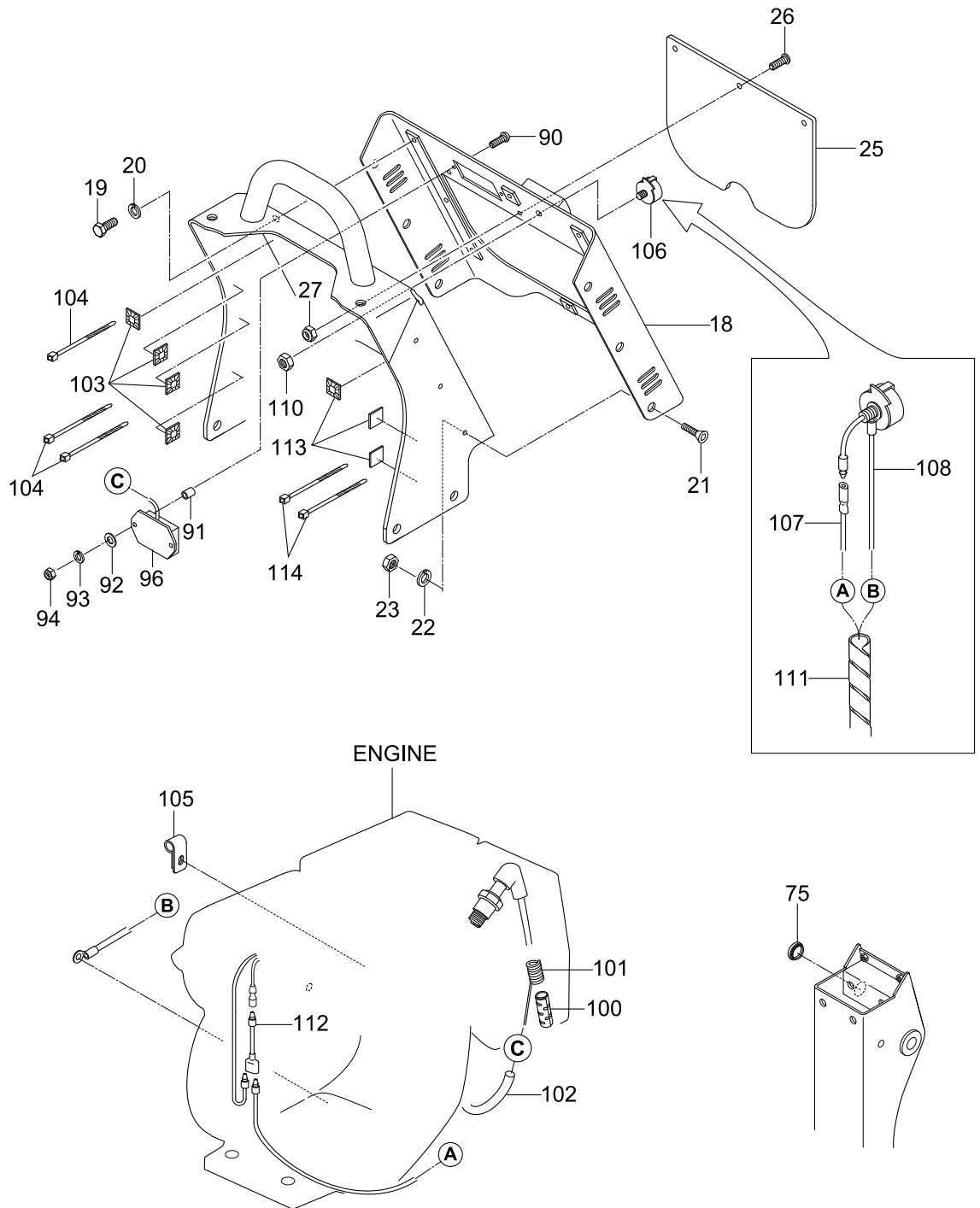
NO.	PART/NO.	PartsName	Q' TY	MK2	REMARKS	List Price
18	4671-21190	REAR COVER/MVH-308	1			14500
19	4673-52020	BRACKET, REAR COVER(L)	1			5350
20	4673-52030	BRACKET, REAR COVER(R)	1			5350
21	0012-20820	BOLT 8X20 T	6			88
23	0302-08200	SW M8	6			21
24	0311-08160	PW M8	5			36
25	9524-08780	COLLAR 8. 2X10X5. 5	6			150
26	9594-08920	CLIP 8 (M8) /MVH-308	1			250
28	4164-59340	RUBBER, VAS HANDLE/MVC-88G	2			150
29	0015-21040	SOCKET HEAD BOLT 10X40 T	2			140
30	0302-10250	SW M10	2			21
31	9524-08740	WASHER10. 5X30X2. 3	2			200
32	9524-08790	COLLAR 10. 5X20X22	2			650
33	4674-67250	RUBBER WASHER 20X35X3	2			130
35	4674-67090	CATCH CLIP /MVH-308	2			3800
36	0091-20421	SOCKET HEAD BOLT 5X15T	4			80
39	0091-10073	SOCKET HEAD SCREW 5X15	2			100
40	4673-52060	BRACKET, STOPPER /MVH-308	1			3300
41	9390-10360	STOPPER RUBBER 30X20H-70	2			1340
42	0203-08060	NUT M8	2			36
43	0302-08200	SW M8	2			21
50	4540-10020	CLAMP TC-100	6			65
51	4673-52050	PANEL, REAR COVER/MVH-308	1			2800
53	0091-10091	OCKET HEAD SCREW 6X25	4			0
54	0311-06100	PW M6	4			21
55	0302-06150	SW M6	4			21
56	0227-10607	NYLON NUT M6	4			48
75	9553-00680	STARTER SWITCH AY /MSW-5	1	SX		3210
76	4674-67180	WIRE CP/308DSY L-V	1			3000
77	9553-00400	BUZZER (EBL) /MRH	1			3000
78	105198-78570	HARNESS (C), WIRE	1			380
80	9590-26023	CORRUGATE TUBE 20MM-760L	1			950
81	4673-52940	COVER, ELECTRIC DEVICE/308	1			3300
82	5060-10060	CLAMP TC-350	2			300
83	9594-07260	CLIP D6 (FOR M10)	1			170
84	5070-10110	CLAMP TC-200	1			52
90	0091-10072	PAN HEAD SCREW 5X35	2			120
91	9524-07930	COLLAR 6X10X13. 5	2			1250
92	0311-05080	PW M5	2			21
93	0302-05130	SW M5	2			21
94	0227-10506	NYLON NUT M5	2			48
96	9553-01020	TACHO&HOUR METER/L, 1B, 1D	1			15800
97	9554-07970	WIRING FIXED BASE/MVH-206	2			250
98	4540-10020	CLAMP TC-100	2			65
99	9590-21813	SPIRAL TUBE 6D-650L	1			170
100	5154-50380	WIRE HARNESS /MRH-600, 700	2	SX		380

ELECTRIC DEVICE_HONDA&ROBIN

MVH-308

4TF0

ELECTRIC DEVICE (HONDA:GX270 & ROBIN:EX27)



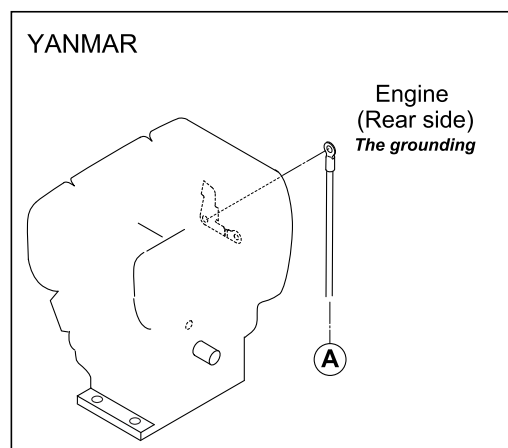
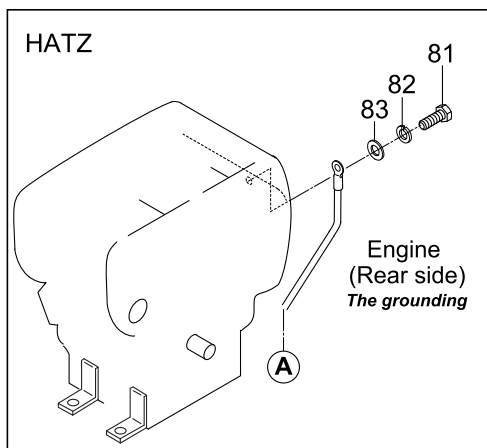
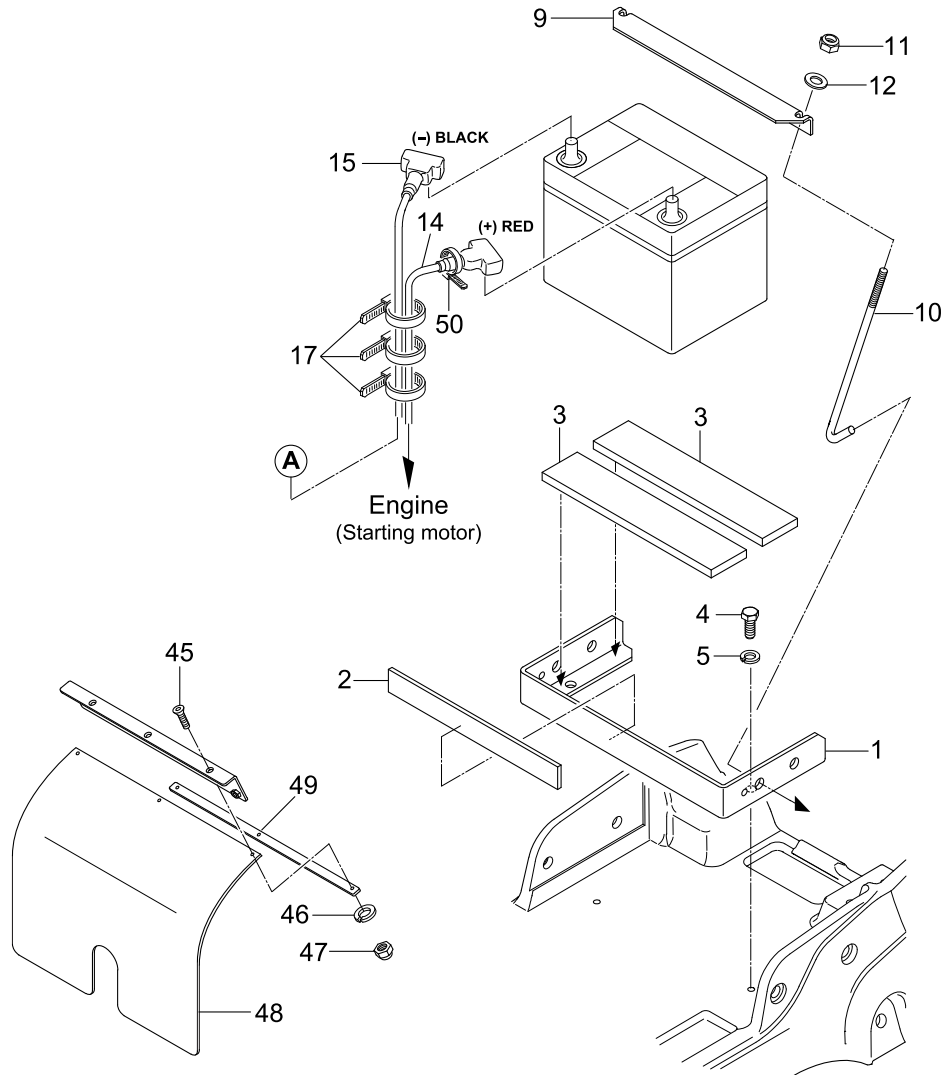
ELECTRIC DEVICE_HONDA&ROBIN

NO.	PART/NO.	PartsName	Q' TY	MK2	REMARKS	List Price
18	4672-18910	REAR COVER, GX270 /MVH-308	1			27400
19	0012-20610	BOLT 6X10 T	8			64
20	0302-06150	SW M6	8			21
21	0091-20413	SUNK HEAD BOLT 6X15	6			60
22	0302-06150	SW M6	6			21
23	0203-06050	NUT M6	6			28
25	4674-66950	RUBBER COVER, REAR/308GH	1			2300
26	0091-10062	SOCKET HEAD SCREW 6X20	3			80
27	0227-10607	NYLON NUT M6	3			48
75	5150-10070	GROMMET SG26A	1			110
90	0091-10072	PAN HEAD SCREW 5X35	2			120
91	9524-07930	COLLAR 6X10X13.5	2			1250
92	0311-05080	PW M5	2			21
93	0302-05130	SW M5	2			21
94	0227-10506	NYLON NUT M5	2			48
96	9550-10311	TP-22 TACHO/HOUR METER	1			10800
100	9550-10307	CLIP BELT/TP-22	1			100
101	9550-10308	CURL CORD/MVH-206	1			2160
102	9590-26828	RUBBER TUBE L=850	1			350
103	9554-07970	WIRING FIXED BASE/MVH-206	4			250
104	4540-10020	CLAMP TC-100	4			65
105	206-75501-01	CLAMP COMPL	1			230
106	9553-01010	STOP SWITCH, ENGINE/MVH308	1			1500
107	4684-67570	READ CORD (1300L) /MVH408GH	1			1000
108	4674-66980	LEAD WIRE (SW-GROUND)	1			750
110	0203-08060	NUT M8	1			36
111	9590-21812	SPIRAL TUBE 6D-800L	1			170
112	5154-50380	WIRE HARNESS /MRH-600, 700	1	SX		380
113	9554-07970	WIRING FIXED BASE/MVH-206	3			250
114	4540-10020	CLAMP TC-100	3			65

BATTERY

MVH-308
BATTERY

4U00



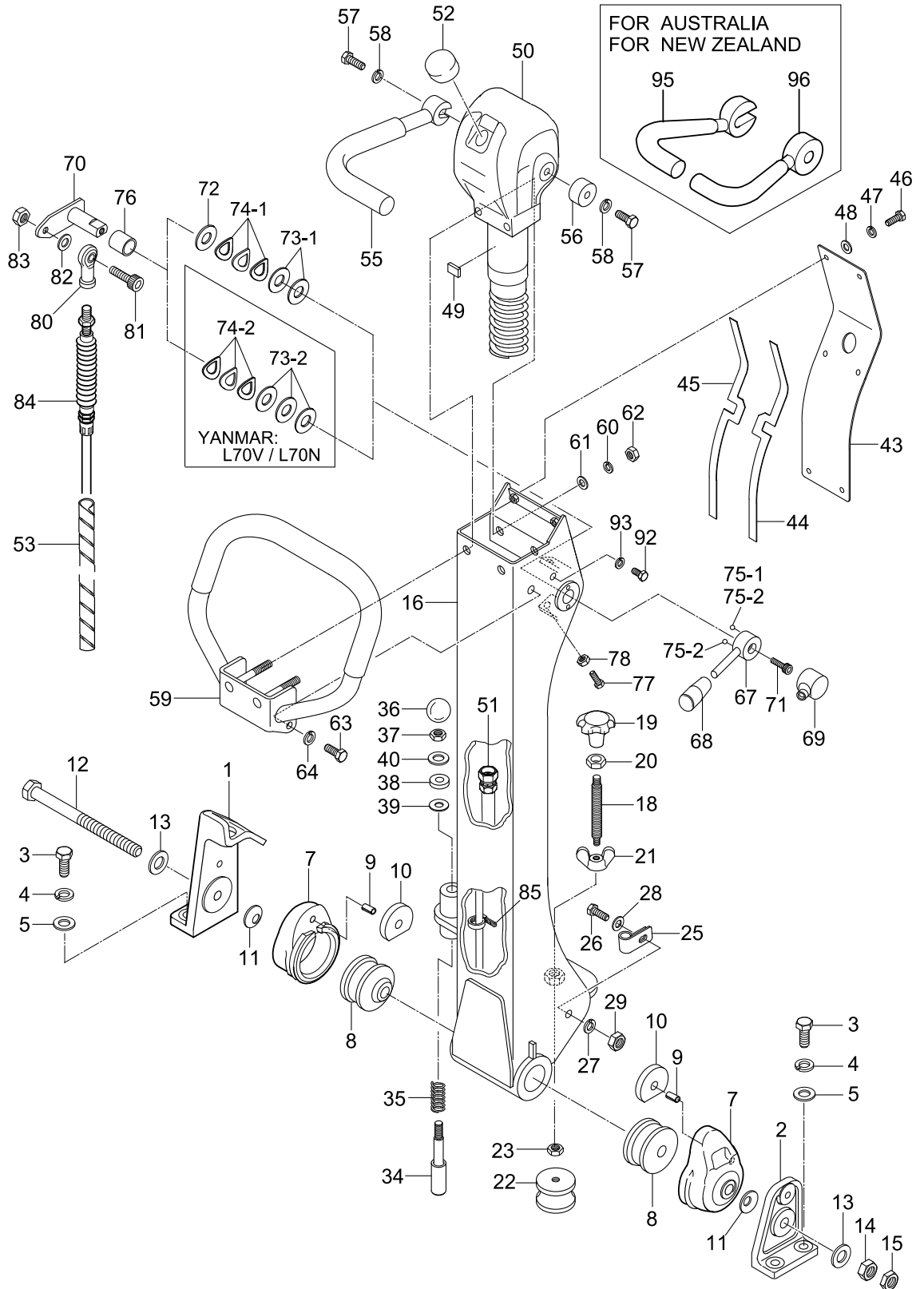
BATTERY

NO.	PART/NO.	PartsName	Q' TY	MK2	REMARKS	List Price
1	4672-18920	BATTERY HOLDER /MVH-308	1			4400
2	4564-47590	RUBBER PLATE (E) 28X240X5	1			1770
3	4564-47600	RUBBER PLATE 50X240X10	2			3210
4	0012-21020	BOLT 10X20 T	2			110
5	0302-10250	SW M10	2			21
9	4643-43740	HOLDER, BATTERY / MVH-306	1			2310
10	4694-67170	BOLT, BATTERY /MVH-508	2			1050
11	0227-10809	NYLON NUT M8	2			72
12	0311-08160	PW M8	2			36
14	9553-00980	BATTERY CABLE (+) 1100L	1		BT SIZE: 55B	3560
14	9553-01030	BATTERY CABLE (+) 1050L	1		BT SIZE: 75D	3900
15	4674-66880	BATTERY CABLE (-) 450L/308	1		BT SIZE: 55B	3800
15	9553-01040	BATTERY CABLE (-) 450L	1		BT SIZE: 75D	2650
17	5060-10070	CLAMP TC-150	5			65
45	0091-20422	SOCKET HEAD BOLT 5X20T	3			120
46	0302-05130	SW M5	3			21
47	0227-10506	NYLON NUT M5	3			48
48	4674-66930	RUBBER PLATE, BATTERY/308D	1			1550
49	4674-66920	STOPPER, RUB-PLATE/MVH-308	1			1550
50	4540-10020	CLAMP TC-100	3			65
81	0012-20612	BOLT 6X12 T	2		HATZ ONLY	64
82	0302-06150	SW M6	2		HATZ ONLY	21
83	0311-06100	PW M6	2		HATZ ONLY	21

CONTROL

MVH-308
CONTROL

4TG0



CONTROL

NO.	PART/NO.	PartsName	Q' TY	MK2	REMARKS	List Price
1	4673-51950	HANDLE BRACKET (R) /MVH-308	1			9100
2	4673-51960	HANDLE BRACKET (L) /MVH-308	1			5000
3	0012-21235	BOLT 12X35 T	4			220
4	0302-12300	SW M12	4			21
5	0311-12230	PW M12	4			54
7	4563-36400	RUBBER COUPLING/MVH303DSA	2	SX		4020
8	4564-49940	SHOCK ABSORBER/MVH-303DSA	2			3750
9	0254-06016	SPRING PIN 6X16	2			72
10	4564-49930	RUBBER PLATE /MVH-303DSA	2			330
11	0321-24400	CONICAL SPRING WASHER M24	2			770
12	0012-21681	BOLT 16X250 T	1			2360
13	0311-16260	PW M16	2			120
14	0203-16130	NUT M16	1			230
15	0204-16100	NUT M16, H=10	1			230
16	4671-21170	HANDLE BAR /MVH-308DSZ	1		HATZ ONLY	47000
16	4671-21180	HANDLE BAR /MVH-308	1			47000
18	4554-34950	SPINDLE /MVH-200	1	SX		3380
19	4550-10030	KNOB /MVH-200	1			1800
20	0204-12070	NUT M12, H=7	1			110
21	0224-11635	WING NUT M16	1			720
22	9390-10060	SHOCK ABSORBER 60/MVH-200	1			2070
23	0204-10060	NUT M10, H=6	1			48
25	9594-08930	CLIP 15 (M6) /MVH-308	1			300
26	0012-20620	BOLT 6X20 T	1			64
27	0302-06150	SW M6	1			21
28	0311-06100	PW M6	1			21
29	0203-06050	NUT M6	1			28
34	5014-02870	HANDLE STOPPER /MDR	1	SX		3550
35	5014-02880	SPRING/HANDLE (1. 4X18X44)	1			660
36	9594-03460	BALL GRIP 32D-M10	1			1300
37	0204-10060	NUT M10, H=6	1			48
38	4564-49980	RUBBER PACKING 9D-20D-5T	1			170
39	9534-05260	PACKING 1/4 (CU)	1			170
40	0311-10160	PW M10	1			36
43	4673-51970	HANDLE COVER/MVH-306DSZ	1		HATZ ONLY	14800
43	4673-51980	HANDLE COVER/MVH306GH, DSY	1			14000
44	4674-67340	PACKING (L) , HANDLE/MVH-308	1			540
45	4674-67350	PACKING (R) , HANDLE/MVH-308	1			540
46	0012-20615	BOLT 6X15 T	6			64
47	0302-06150	SW M6	6			21
48	0311-06100	PW M6	6			21
49	4644-57930	RUBBER PIECE (T2) /MVH-306	1			300
50	4672-19140	HAND PUMP (EXP.) /MVH-308	1			93500
51	9540-03110	OIL HOSE 1100L /MVH-308	1			6900
52	4584-51630	BREATHER CAP/ MVH-100/150	1			330
53	9590-21813	SPIRAL TUBE 6D-650L	1			170
55	4642-16630	TRAVEL LEVER /MVH-306	1	SX		9100

CONTROL

NO.	PART/NO.	PartsName	Q' TY	MK2	REMARKS	List Price
56	4644-57400	HANDLE BOSS/MVH-306	1			1070
57	0012-21030	BOLT 10X30 T	2			160
58	0302-10250	SW M10	2			21
59	4672-18900	GRIP /MVH-308	1			20300
60	0302-10250	SW M10	2			21
61	0311-10160	PW M10	2			36
62	0203-10080	NUT M10	2			48
63	0012-21025	BOLT 10X25 T	2			160
64	0302-10250	SW M10	2			21
67	4674-67380	THROTTLE LAVER/MVH-308DSY	1			9100
68	9594-03840	BAR GRIP, I. D. 12MM	1			480
69	4644-57420	COVER , THROTTLE LEVER/306	1			540
70	4644-57350	ARM, THROTTLE / MVH-306	1			4820
71	0015-20820	SOCKET HEAD BOLT 8X20 T	1			72
72	0311-16260	PW M16	1			120
73-1	4584-50660	WASHER 16. 4-35-0. 6/MVH120	2			170
73-2	4584-50660	WASHER 16. 4-35-0. 6/MVH120	3		YANMAR ONLY	170
74-1	0339-10080	CONICAL SW 16. 3X31. 5X1. 2	3			220
74-2	0339-10280	CONICAL SW 16. 3X31. 5X1. 8	3	!!0322-16350	YANMAR ONLY	0
75-1	4644-57440	STEEL BALL D6(SUJ)	1			110
75-2	4644-57440	STEEL BALL D6(SUJ)	2		YANMAR ONLY	110
76	4640-10010	DRY BUSHING / LFB-1620	1			400
77	0012-20625	BOLT 6X25 T	2			64
78	0203-06050	NUT M6	2			28
80	4640-10020	ROD END M5	1			1500
81	0015-20520	SOCKET HEAD BOLT 5X20 T	1			48
82	0311-05080	PW M5	1			21
83	0203-05040	NUT M5	1			27
84	9561-00069	THROTTLE WIRE 1665 /1B30	1		HATZ	6000
84	9561-00070	THROTTLE WIRE 1725 /GX270	1		HONDA, ROBIN	10900
84	9561-00068	THROTTLE WIRE 1425 /L70	1		YANMAR	5300
85	4540-10020	CLAMP TC-100	1			65
92	0012-20612	BOLT 6X12 T	2			64
93	0302-06150	SW M6	2			21
95	4642-16820	TRAVEL LEVER (R) /MVH-306	1	SX	AUS, NZ ONLY	8560
96	4642-16830	TRAVEL LEVER (L) /MVH-306	1	SX	AUS, NZ ONLY	8560

HAND PUMP AY

MVH-308

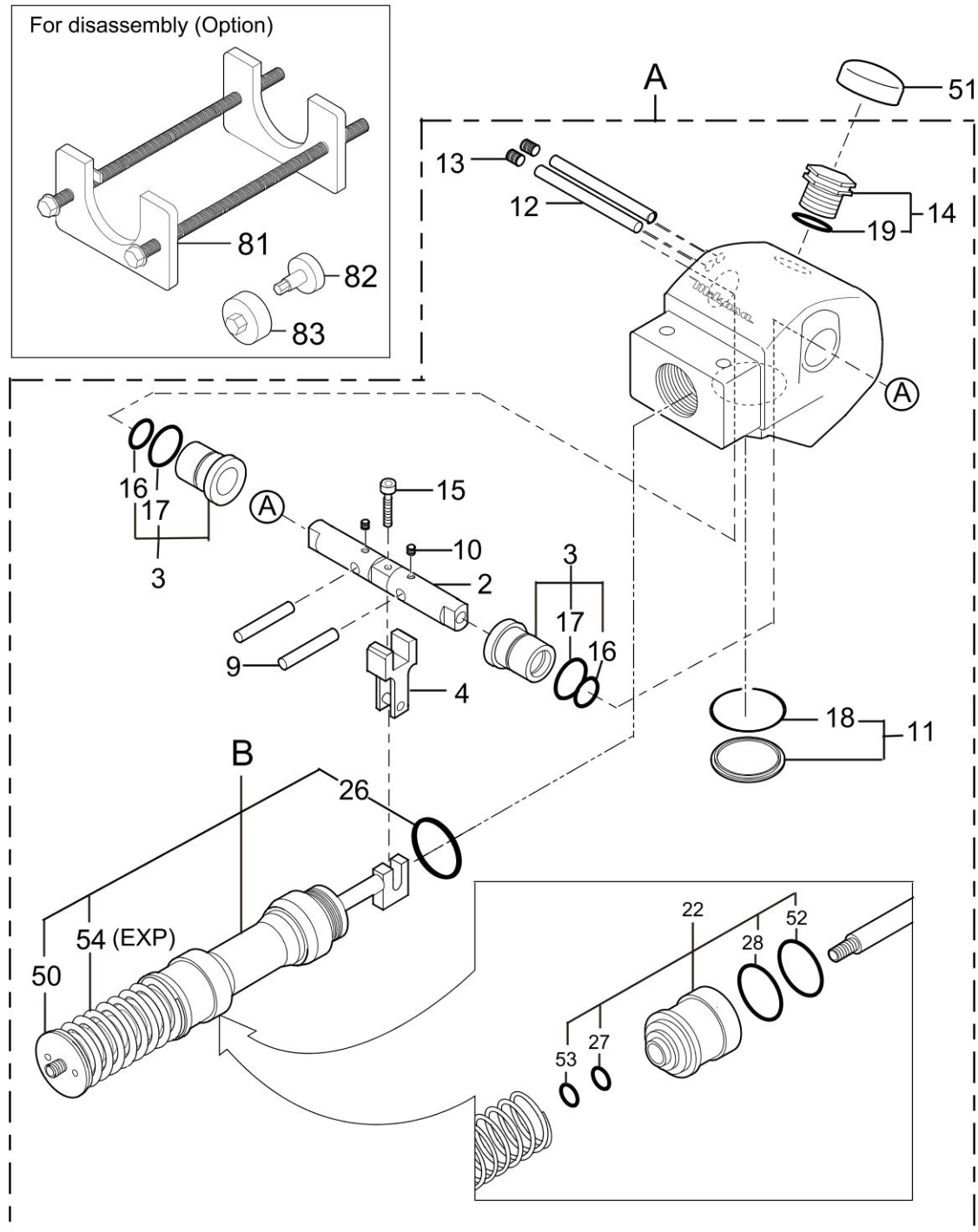
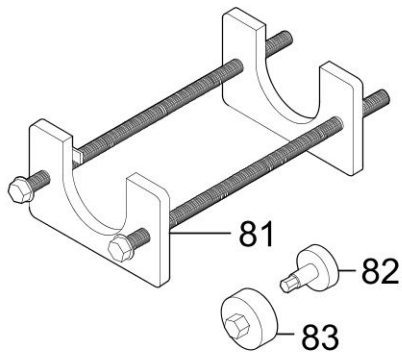
4WL0

HAND POMP AY(EXP.) / ハンドポンプ AY(輸出向)

◎:O-RING,DUST SEAL SET
(INCLUDES ITEMS W / Ref.No.16-19,26-28,52,53)

C

For disassembly (Option)



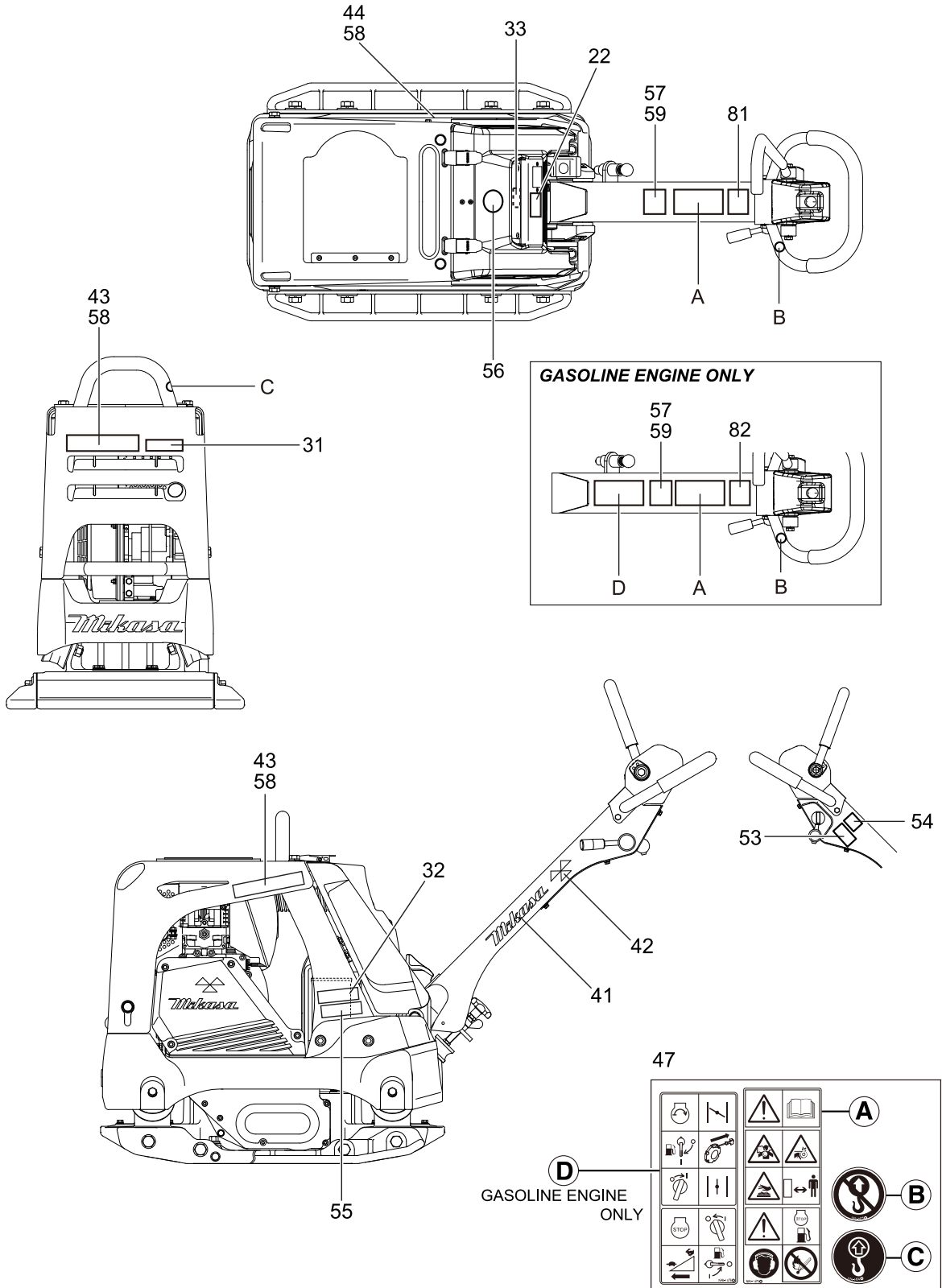
HAND PUMP AY

NO.	PART/NO.	PartsName	Q' TY	MK2	REMARKS	List Price
A	4672-19140	HAND PUMP (EXP.)/MVH-308	1			93500
B	4679-10020	ACCUMULATOR CP/308/EXP	1			0
C	4649-10080	O-RING & DUST, SEAL, SET	1			2760
2	4640-10040	CONTROL SHAFT (PUMP) MVH306	1	SX		12000
3	4670-10020	BUSH /MVH-308	2		INCL. 16. 17	10400
4	4640-10060	CAM (PUMP) /MVH-306	1	SX		14000
9	4640-10070	STOPPER (PUMP) /MVH-306	2			2800
10	0992-05005	SOCKET HEAD SCREW 5X5 T	2			48
11	4640-10080	PLUG/MVH-306	1	SX	INCL. 18	7200
12	4640-10090	PIN, STOPPER (PUMP) /MVH-306	2			2000
13	4640-10100	PLUG/MVH-306	2	SX		400
14	4580-10080	BREATHER (PUMP) MVH100/150	1	SX	INCL. 19	7710
15	0015-20620	SOCKET HEAD BOLT 6X20 T	1			48
16	0502-00200	O-RING P-20	2			120
17	0502-00220	O-RING P-22	2			120
18	0503-00380	O-RING S-38	1			160
19	0502-00180	O-RING P-18	1			120
22	4640-10111	ACCUMULATOR CASE/306 (NEW)	1	SX		13200
26	0503-00400	O-RING S-40	1			180
27	0502-00150	O-RING P-15	1			92
28	0501-00400	O-RING G-40	1			140
50	4640-10120	SPRING PLUG /MVH-306	1	SX		7200
51	4584-51630	BREATHER CAP/ MVH-100/150	1			330
52	0699-04010	DUST SEAL SER-40	1			850
53	0699-01010	DUST SEAL SER-15	1			700
54	4659-10080	ACCUMULATOR, SPRING SET	1		SET	25200
81	9840-10060	SPRG. COMPRESSION TOOL/EXP	1		TOOL, EXP	22800
82	9840-10040	DISASSEMBLING TOOL A/306	1		TOOL	11600
83	9840-10050	DISASSEMBLING TOOL B/306	1		TOOL	9000

DECAL AND NAME PLATE

MVH-308
DECAL AND NAME PLATE

4TH0



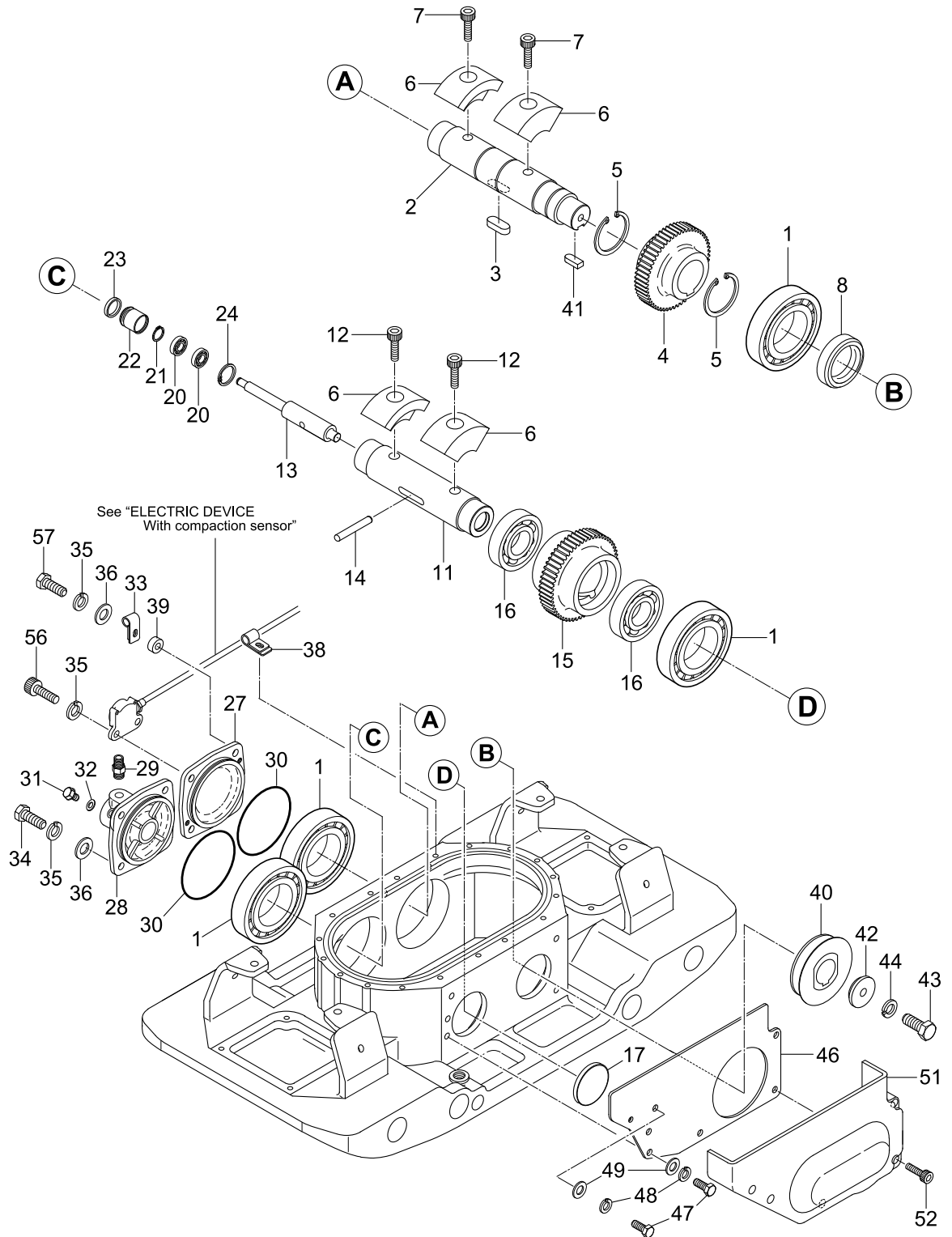
DECAL AND NAME PLATE

NO.	PART/NO.	PartsName	Q' TY	MK2	REMARKS	List Price
22	9202-18130	DECAL, E/G RPM 3600	1			230
22	9202-18140	DECAL, E/G RPM 3400	1		HATZ ONLY	230
31	9202-17640	DECAL COMPASS MARK 94MM	1		COMPAS ONLY	500
32	9202-17650	DECAL COMPASS MARK 110MM	2		COMPAS ONLY	400
33	9202-17870	DECAL, MODEL MVH-308	1		COMPAS ONLY	540
41	9202-17130	DECAL, MIKASA MARK (W) 200L	2			1000
42	9202-17110	DECAL, MIKASA MARK 35X70	2			250
43	9202-17710	DECAL, MODEL (R, GR) /MVH-308	2		GREEN COVER	900
43	9202-17730	DECAL, MODEL (R, OR) /MVH-308	2		ORANGE COVER	900
44	9202-17720	DECAL, MODEL (L, GR) /MVH-308	1		GREEN COVER	900
44	9202-17740	DECAL, MODEL (L, OR) /MVH-308	1		ORANGE COVER	900
47	9209-00110	DECAL, SET/MVH-MRH/EXP, EU	1			500
53	9202-14950	DECAL, REMOVE KEY	1		HATZ, YANMAR	0
54	9202-14960	DECAL, KEY OPERATION	1		HATZ, YANMAR	0
55	9202-13050	DECAL, IMER 35X100 /MTX	2		IMER ONLY	0
56	9202-08540	DECAL, MARK (IMER)	1		IMER ONLY	170
57	9202-17240	DECAL, IMER, 3ANS GARANTIE	1		IMER ONLY	0
58	9202-18510	DECAL, HUTTER 30X237/308D	3		HUTTER ONLY	0
59	9202-18360	DECAL, RUSSIA (EAC) CERTIF.	1		RUSSIA ONLY	0
81	9202-10100	DECAL, EC NOISE REQ. LWA108	1		DSZ, DSY/EU	200
82	9202-10310	DECAL, EC NOISE REQ. LWA107	1		GH, GE	150

MVH-308

4SZ0

VIBRATOR (With compaction sensor)



VIBRATOR_PAS

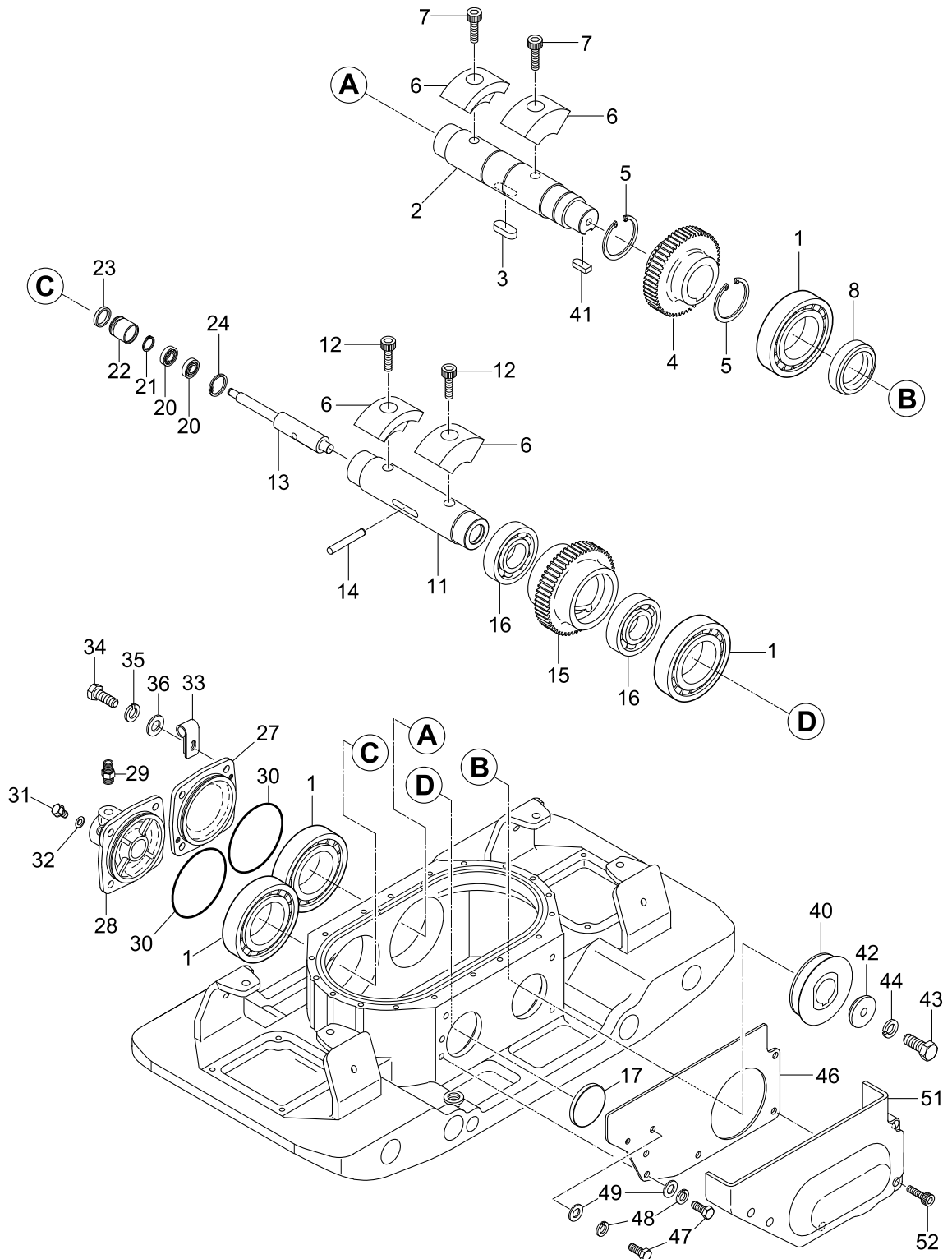
NO.	PART/NO.	PartsName	Q' TY	MK2	REMARKS	List Price
1	0479-20120	ROLLER BEARING NJ310EMC4	4			18000
2	4572-12410	ROTARY SHAFT, DRIVE/MVH400	1			34300
3	9514-05370	KEY 15X10X39 RR	1			850
4	4563-27150	GEAR, DRIVE /MVH-302	1			41800
5	0802-00550	STOP RING S-55	2			360
6	4643-43700	ECCENTRIC ROTATOR/MVH-306	4			4820
7	0091-20301	SOCKET HEAD BOLT 16X40T	2			480
8	0601-05030	OIL SEAL SB-50729	1			1580
11	4563-37670	ROTARY SHAFT, DRIVEN/304B	1	SX		39100
12	0091-20302	SOCKET HEAD BOLT 16X30T	2	SX		300
13	4563-37380	PISTON ROD /MVH-304B	1			13400
14	4560-10010	KNOCK PIN 10X70 /MVH-302	1	SX		490
15	4673-51910	GEAR (DRIVEN) /MVH-308	1			60000
16	0400-06911	BEARING 6911	2			3860
17	9530-10030	SEAL CAP/SC72-8N	1			860
20	0425-06000	BEARING 6000ZZSG	2			820
21	0802-00100	STOP RING S-10	1			48
22	4554-35051	PISTON, 22. 4D /MVH-200	1	SX		3940
23	4550-10070	PACKING USH-22. 4X30X5	1			820
24	0801-00260	STOP RING R-26	1			110
27	4673-52540	BEARING COVER /MVH-308	1			5000
28	4672-19070	CYLINDER (R) /MVH-308	1			23100
29	9540-10020	CONNECTOR PT, PF1/4	1			520
30	0501-01050	O-RING G-105	2			320
31	0017-20812	FLANGEBOLT8X12	1			100
32	9534-04600	COPPER PACKING 8. 2X16X1. 6	1	SX		290
33	9594-08880	CLIP 15 (M10) /MVH-308	1			250
34	0012-21025	BOLT 10X25 T	5			160
35	0302-10250	SW M10	8			21
36	0311-10160	PW M10	6			36
38	9594-08920	CLIP 8 (M8) /MVH-308	1			250
39	7404-26290	SPACER 10. 5X22X10T	1			480
40	4673-51930	VIBRATING PULLEY/MVH-308Z	1		HATZ ONLY	12500
40	4673-51940	VIBRATING PULLEY/MVH-308Y	1			12500
41	9514-04970	KEY 12X8X30 R	1			810
42	4644-57370	WASHER / MVH-306	1			540
43	0012-21230	BOLT 12X30 T	1			220
44	0302-12300	SW M12	1			21
46	4673-51920	GUIDE, BELT COVER/MVH-308	1			3450
47	0012-20820	BOLT 8X20 T	2			88
48	0302-08200	SW M8	2			21
49	0311-08160	PW M8	2			36
51	4672-18890	BELT COVER, LOWER/MVH-308	1			15500
52	0015-20852	SOCKET HEAD BOLT 8X60 T	5			140
56	0015-21030	SOCKET HEAD BOLT 10X30 T	2			140
57	0012-21035	BOLT 10X35 T	1			160

VIBRATOR_NOT PAS

MVH-308

4T10

VIBRATOR (Without compaction sensor)



VIBRATOR_NOT PAS

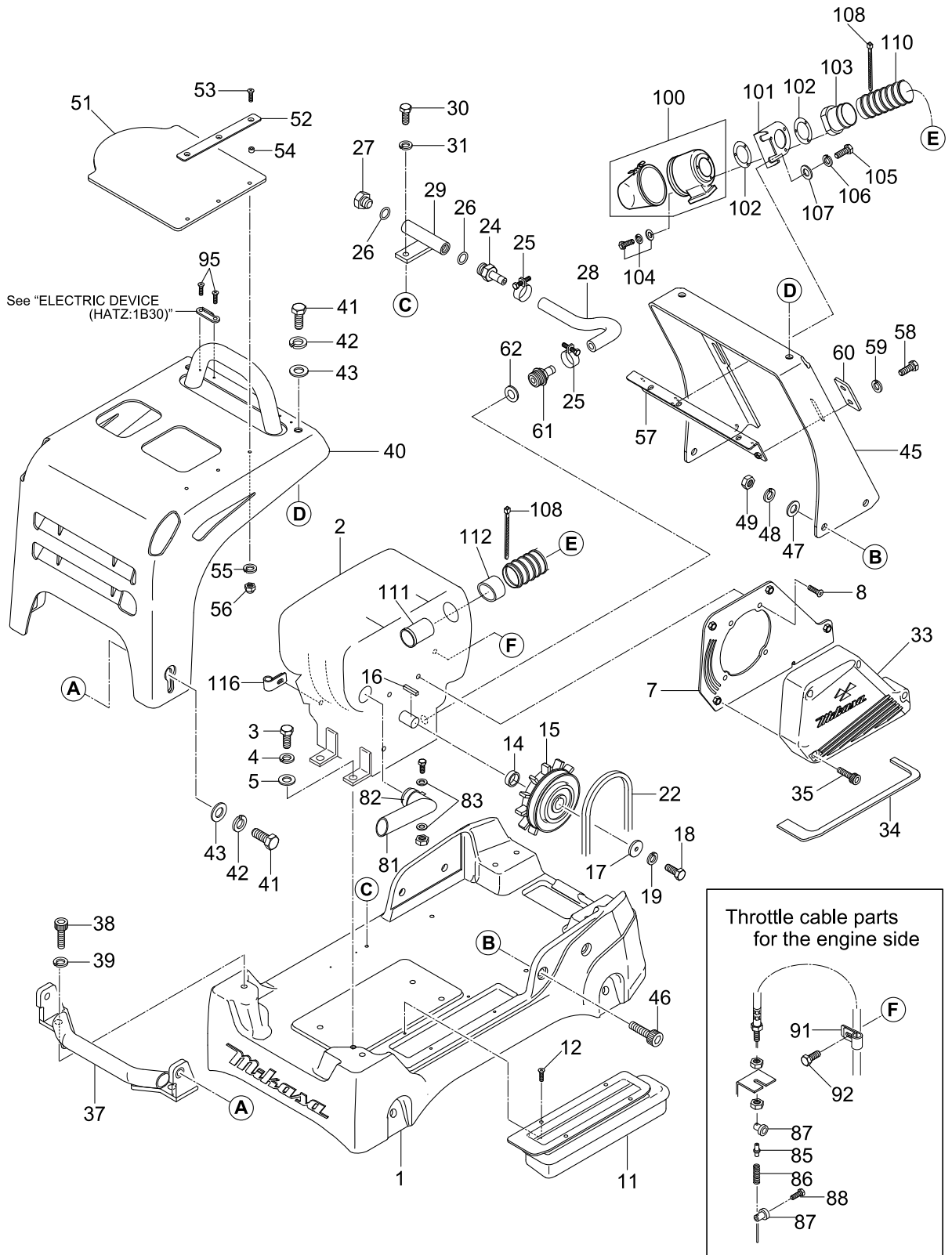
NO.	PART/NO.	PartsName	Q' TY	MK2	REMARKS	List Price
1	0479-20120	ROLLER BEARING NJ310EMC4	4			18000
2	4572-12410	ROTARY SHAFT, DRIVE/MVH400	1			34300
3	9514-05370	KEY 15X10X39 RR	1			850
4	4563-27150	GEAR, DRIVE /MVH-302	1			41800
5	0802-00550	STOP RING S-55	2			360
6	4643-43700	ECCENTRIC ROTATOR/MVH-306	4			4820
7	0091-20301	SOCKET HEAD BOLT 16X40T	2			480
8	0601-05030	OIL SEAL SB-50729	1			1580
11	4563-37670	ROTARY SHAFT, DRIVEN/304B	1	SX		39100
12	0091-20302	SOCKET HEAD BOLT 16X30T	2	SX		300
13	4563-37380	PISTON ROD /MVH-304B	1			13400
14	4560-10010	KNOCK PIN 10X70 /MVH-302	1	SX		490
15	4673-51910	GEAR (DRIVEN) /MVH-308	1			60000
16	0400-06911	BEARING 6911	2			3860
17	9530-10030	SEAL CAP/SC72-8N	1			860
20	0425-06000	BEARING 6000ZZSG	2			820
21	0802-00100	STOP RING S-10	1			48
22	4554-35051	PISTON, 22. 4D /MVH-200	1	SX		3940
23	4550-10070	PACKING USH-22. 4X30X5	1			820
24	0801-00260	STOP RING R-26	1			110
27	4673-52540	BEARING COVER /MVH-308	1			5000
28	4672-19070	CYLINDER (R) /MVH-308	1			23100
29	9540-10020	CONNECTOR PT, PF1/4	1			520
30	0501-01050	O-RING G-105	2			320
31	0017-20812	FLANGEBOLT8X12	1			100
32	9534-04600	COPPER PACKING 8. 2X16X1. 6	1	SX		290
33	9594-08880	CLIP 15 (M10) /MVH-308	1			250
34	0012-21025	BOLT 10X25 T	8			160
35	0302-10250	SW M10	8			21
36	0311-10160	PW M10	8			36
40	4673-51930	VIBRATING PULLEY/MVH-308Z	1		HATZ ONLY	12500
40	4673-51940	VIBRATING PULLEY/MVH-308Y	1			12500
41	9514-04970	KEY 12X8X30 R	1			810
42	4644-57370	WASHER / MVH-306	1			540
43	0012-21230	BOLT 12X30 T	1			220
44	0302-12300	SW M12	1			21
46	4673-51920	GUIDE, BELT COVER/MVH-308	1			3450
47	0012-20820	BOLT 8X20 T	2			88
48	0302-08200	SW M8	2			21
49	0311-08160	PW M8	2			36
51	4672-18890	BELT COVER, LOWER/MVH-308	1			15500
52	0015-20852	SOCKET HEAD BOLT 8X60 T	5			140

BASE AND ENGINE _HATZ

MVH-308

BASE AND ENGINE (HATZ: 1B30)

4TA0



BASE AND ENGINE _HATZ

NO.	PART/NO.	PartsName	Q' TY	MK2	REMARKS	List Price
1	4671-21150	BASE /1B30 /MVH-308	1			144000
2	9184-01000	ENGINE AY/1B30/EPA4/308Z	1			0
3	0012-20830	BOLT 8X30 T	4			88
4	0302-08200	SW M8	4			21
5	0311-08160	PW M8	4			36
7	4673-51830	BELT COVER, IN /MVH-308DSZ	1			8500
8	0091-20416	SUNK HEAD BOLT 10X25	4			180
11	4672-18860	DUST COVER /MVH-308	1			4250
12	0920-06010	FLAT HEAD SCREW 6X10	4			28
14	9524-08810	SPACER 25X31. 8X10	1			950
15	4563-43340	CLUTCH AY/CHM03/W. FAN/304	1			24100
16	9514-00110	KEY 7X7X35	1			360
17	9524-03450	WASHER 11X35X4. 5	1			360
18	0012-21030	BOLT 10X30 T	1			160
19	0302-10250	SW M10	1			21
22	0702-00433	V-BELT HDPF-5430	1			3600
24	9544-07310	UNION, DRAIN /MVH-308	1			1750
25	009-17200-00	HOSE CLAMP	2			1240
26	021-11400-20	GASKET	2			53
27	040-11400-30	PLUG	1			210
28	4654-59390	DRAIN HOSE / MVH-406	1			1200
29	4644-57380	DRAIN JOINT/MVH-306	1			4020
30	0012-20820	BOLT 8X20 T	1			88
31	0302-08200	SW M8	1			21
33	4671-21100	BELT COVER (OUT)/MVH-308	1			25500
34	4673-51800	DUST SPONGE (OUT)/MVH-308	1			1400
35	0015-21053	SOCKET HEAD BOLT 10X65 T	4			180
37	4673-51810	FRONT BUNPER /MVH-308	1			25900
38	0015-21435	SOCKET HEAD BOLT 14X35 T	2			280
39	0302-14350	SW M14	2			48
40	4671-21110	FRONT COVER, 1B30/MVH-308	1			44000
41	0012-21435	BOLT 14X35 T	4			300
42	0302-14350	SW M14	4			48
43	0311-14260	PW M14	4			92
45	4672-19310	CENTER COVER, 1B30/308DSZ	1			20500
46	0015-21435	SOCKET HEAD BOLT 14X35 T	4			280
47	0311-14260	PW M14	4			92
48	0302-14350	SW M14	4			48
49	0203-14110	NUT M14	4			180
51	4674-66750	RUBBER COVER, UPPER/MVH308	1			2700
52	4674-66760	STOPPER, COVER/MVH-308Z, Y	1			1600
53	0091-20424	SOCKET HEAD BOLT 6X25T	3			160
54	6174-65130	COLLAR 6. 2X7. 8X4. 5	3			90
55	0302-06150	SW M6	3			21
56	0227-10607	NYLON NUT M6	3			48
57	4673-52710	CLEANER STAY, 1B30/MVH-308	1			3300
58	0012-20825	BOLT 8X25 T	4			88

BASE AND ENGINE _HATZ

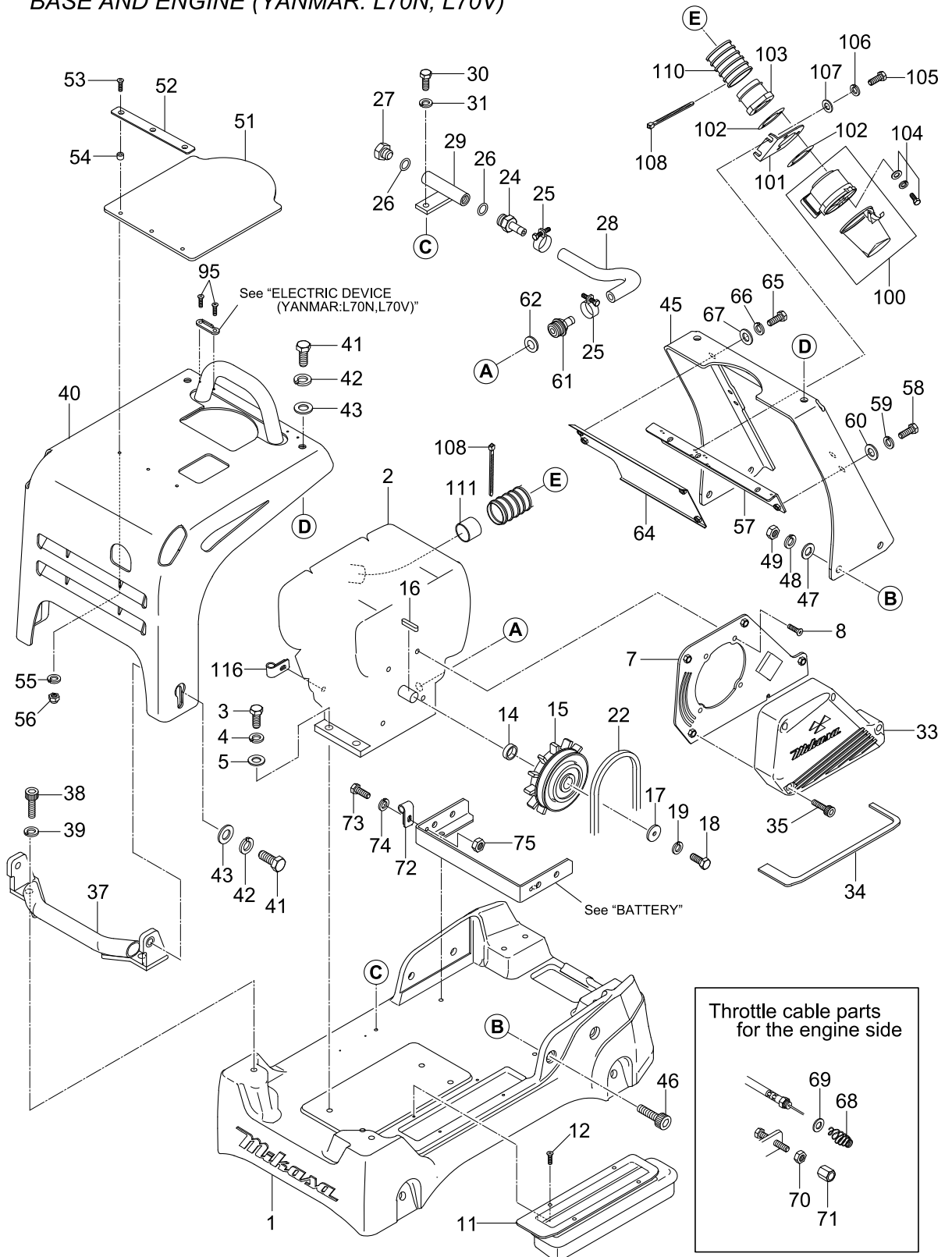
NO.	PART/NO.	PartsName	Q' TY	MK2	REMARKS	List Price
59	0302-08200	SW M8	4			21
60	4674-67580	PLATE, CLEANER STAY/1B30	2			1600
61	4654-59670	OIL DRAIN/MVH-406/1B40	1			5500
62	50001600	GASKET, /ID81	1		HATZ PARTS	530
81	4674-66780	EX PIPE, 1B30/MVH-308DSZ	1			4000
82	50639700	PIPE CLIP W1 RS35.2 /1B30	1		HATZ PARTS	0
83	0311-08160	PW M8	2			36
85	05165000	GUIDE BUSH / 1B40	1		HATZ PARTS	3980
86	50484600	PRESSURE SPRING / 1B40	1		HATZ PARTS	2160
87	50483100	CABLE CLAMPG. 2.2MM/1B40	2		HATZ PARTS	0
88	50025000	HEXAGON SCREW M4X10 /1B40	1		HATZ PARTS	210
91	206-75501-01	CLAMP COMPL	1			230
92	0012-20610	BOLT 6X10 T	1			64
95	0091-20420	SOCKET HEAD BOLT 5X10T	4			40
100	4662-18080	CLEANER, CYCLONE/MVH-206	1			4000
101	4673-51890	CYCLONE STAY /MVH-308	1			3400
102	4664-62850	GASKET, AIR INTAKE/206	2			500
103	4674-66840	JOINT, C-CLEANER/MVH-308	1			4550
104	0091-10057	SOCKET HEAD BOLT/5X18	3			100
105	0012-20820	BOLT 8X20 T	2			88
106	0302-08200	SW M8	2			21
107	0311-08160	PW M8	2			36
108	5060-10060	CLAMP TC-350	2			300
110	4653-48910	DUCT HOSE 50X370/406EU	1			3000
111	4674-66850	INTAKE PIPE /MVH-308DSZ	1			3000
112	4674-66860	GROMMET, CLEANER/MVH-308Z	1			300
116	226-75101-03	CLAMP	2			88

BASE AND ENGINE _YANMAR

MVH-308

BASE AND ENGINE (YANMAR: L70N, L70V)

4TB0



BASE AND ENGINE _YANMAR

NO.	PART/NO.	PartsName	Q' TY	MK2	REMARKS	List Price
1	4671-21160	BASE /L70, GX270 /MVH-308	1			144000
2	9144-07011	ENGINE AY L70V6 (JP)	1		L70V	0
2	9144-07012	ENGINE AY L70N6 (EU)	1		L70N	0
3	0012-21040	BOLT 10X40 T	4			180
4	0302-10250	SW M10	4			21
5	0311-10160	PW M10	4			36
7	4673-51840	BELT COVER, IN /MVH-308DSY	1			10900
8	0091-20412	SUNK HEAD BOLT 8X25T	4			120
11	4672-18860	DUST COVER /MVH-308	1			4250
12	0920-06010	FLAT HEAD SCREW 6X10	4			28
14	9524-08810	SPACER 25X31. 8X10	1			950
15	4563-43340	CLUTCH AY/CHMO3/W. FAN/304	1			24100
16	22512-070360	KEY 7X36 RR	1			250
17	9524-00690	WASHER 9X35X4. 5	1			420
18	0012-20830	BOLT 8X30 T	1			88
19	0302-08200	SW M8	1			21
22	0702-00443	V-BELT HDPF-5440	1	SX		3600
24	9544-07310	UNION, DRAIN /MVH-308	1			1750
25	009-17200-00	HOSE CLAMP	2			1240
26	021-11400-20	GASKET	2			53
27	040-11400-30	PLUG	1			210
28	4654-59390	DRAIN HOSE / MVH-406	1			1200
29	4644-57380	DRAIN JOINT/MVH-306	1			4020
30	0012-20820	BOLT 8X20 T	1			88
31	0302-08200	SW M8	1			21
33	4671-21100	BELT COVER (OUT)/MVH-308	1			25500
34	4673-51800	DUST SPONGE (OUT)/MVH-308	1			1400
35	0015-21053	SOCKET HEAD BOLT 10X65 T	4			180
37	4673-51810	FRONT BUNPER /MVH-308	1			25900
38	0015-21435	SOCKET HEAD BOLT 14X35 T	2			280
39	0302-14350	SW M14	2			48
40	4671-21120	FRONT COVER, L70/MVH-308	1			43800
41	0012-21435	BOLT 14X35 T	4			300
42	0302-14350	SW M14	4			48
43	0311-14260	PW M14	4			92
45	4672-18880	CENTER COVER, L70/MVH-308	1			20500
46	0015-21435	SOCKET HEAD BOLT 14X35 T	4			280
47	0311-14260	PW M14	4			92
48	0302-14350	SW M14	4			48
49	0203-14110	NUT M14	4			180
51	4674-66750	RUBBER COVER, UPPER/MVH308	1			2700
52	4674-66760	STOPPER, COVER/MVH-308Z, Y	1			1600
53	0091-20424	SOCKET HEAD BOLT 6X25T	3			160
54	6174-65130	COLLAR 6. 2X7. 8X4. 5	3			90
55	0302-06150	SW M6	3			21
56	0227-10607	NYLON NUT M6	3			48
57	4673-52870	CLEANER STAY, L70/MVH-308	1			3300

BASE AND ENGINE _YANMAR

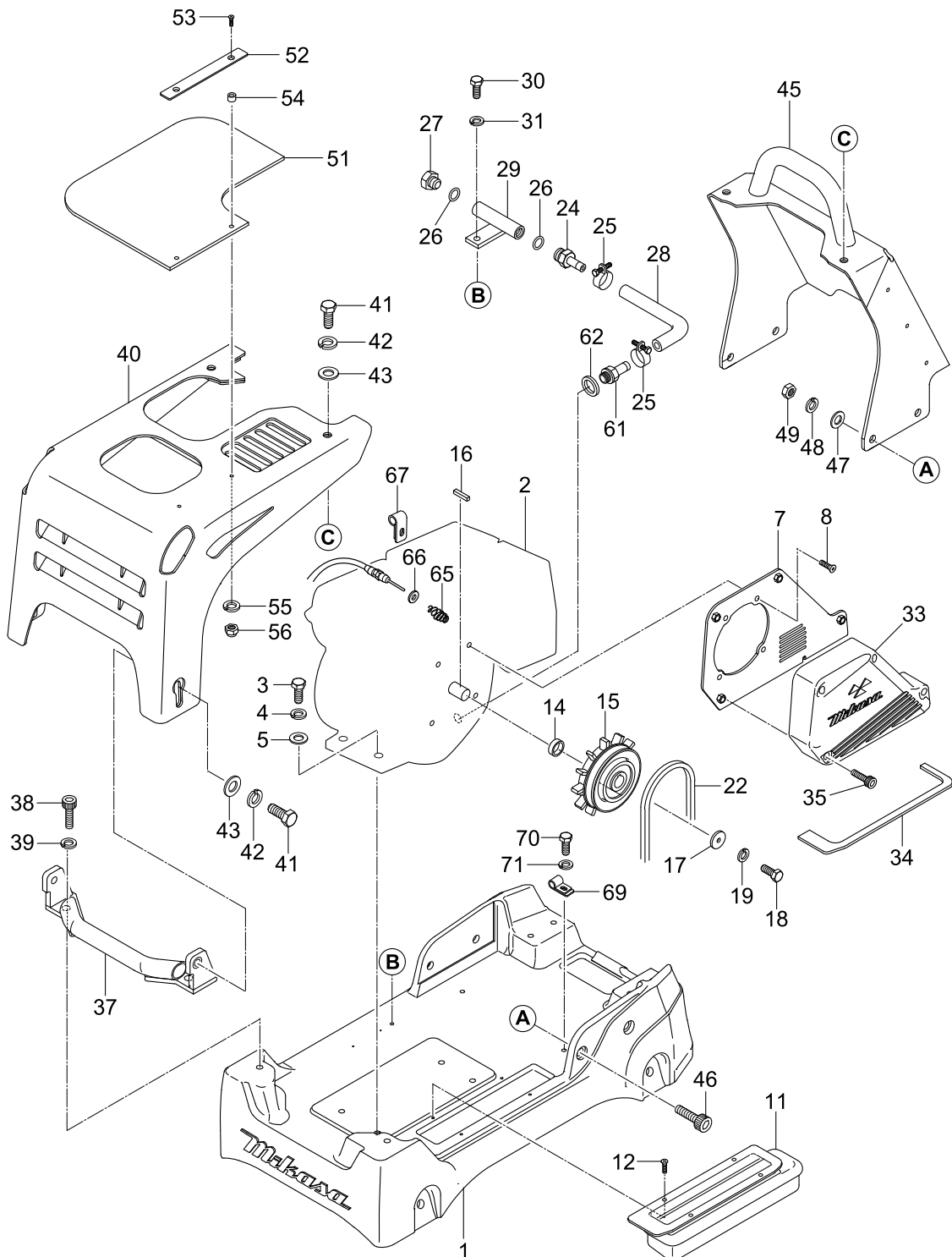
NO.	PART/NO.	PartsName	Q' TY	MK2	REMARKS	List Price
58	0012-20820	BOLT 8X20 T	4			88
59	0302-08200	SW M8	4			21
60	0311-08160	PW M8	4			36
61	4594-55560	UNION, OIL DRAIN(L48)/MVH	1			3210
62	22190-160002	SEAL WASHER 16S	1			230
64	4673-52100	PLATE, COVER, L70/MVH-308	1			2850
65	0012-20820	BOLT 8X20 T	4			88
66	0302-08200	SW M8	4			21
67	0311-08160	PW M8	4			36
68	234-46002-13	RETURN SPRING	1			280
69	0311-04080	PW M4	1			21
70	0204-06040	NUT M6, H=4.2	1			28
71	9594-06800	NUT M6 (SPECIAL-L10)	1			180
72	206-75501-01	CLAMP COMPL	1			230
73	0012-20615	BOLT 6X15 T	1			64
74	0302-06150	SW M6	1			21
75	0203-06050	NUT M6	1			28
95	0091-20420	SOCKET HEAD BOLT 5X10T	4			40
100	4662-18080	CLEANER, CYCLONE/MVH-206	1			4000
101	4673-51890	CYCLONE STAY /MVH-308	1			3400
102	4664-62850	GASKET, AIR INTAKE/206	2			500
103	4674-66840	JOINT, C-CLEANER/MVH-308	1			4550
104	0091-10057	SOCKET HEAD BOLT/5X18	3			100
105	0012-20820	BOLT 8X20 T	2			88
106	0302-08200	SW M8	2			21
107	0311-08160	PW M8	2			36
108	5060-10060	CLAMP TC-350	2			300
110	4673-52000	DUCT HOSE 50X470/308DSY	1			3630
111	4664-62840	DUCT GROMMET	1			300
116	226-75101-03	CLAMP	1			88

BASE AND ENGINE _HONDA&ROBIN

MVH-308

4TCO

BASE AND ENGINE (HONDA:GX270 & ROBIN:EX27)



BASE AND ENGINE _HONDA&ROBIN

NO.	PART/NO.	PartsName	Q' TY	MK2	REMARKS	List Price
1	4671-21160	BASE /L70, GX270 /MVH-308	1			144000
2	9122-27007	ENGINE AY/GX270SMXC/EPA	1		GX270	0
2	9112-22703	ENGINE AY, EX27 (EXP)/308	1		EX27	0
3	0012-21045	BOLT 10X45 T	4			180
4	0302-10250	SW M10	4			21
5	0311-10160	PW M10	4			36
7	4673-51850	BELT COVER, IN /MVH-308GH	1			8500
8	0091-10071	SOCKET HEAD BOLT 10X25T	4		GX270	360
8	0091-20416	SUNK HEAD BOLT 10X25	4		EX27	180
11	4672-18860	DUST COVER /MVH-308	1			4250
12	0920-06010	FLAT HEAD SCREW 6X10	4			28
14	9524-08810	SPACER 25X31. 8X10	1			950
15	4563-43340	CLUTCH AY/CHM03/W. FAN/304	1			24100
16	9514-00110	KEY 7X7X35	1			360
17	9524-00690	WASHER 9X35X4. 5	1			420
18	0012-20830	BOLT 8X30 T	1			88
19	0302-08200	SW M8	1			21
22	0702-00453	V-BELT B-45 GREEN/HDPF545	1			4800
24	9544-07310	UNION, DRAIN /MVH-308	1			1750
25	009-17200-00	HOSE CLAMP	2			1240
26	021-11400-20	GASKET	2			53
27	040-11400-30	PLUG	1			210
28	4654-59390	DRAIN HOSE / MVH-406	1			1200
29	4644-57380	DRAIN JOINT/MVH-306	1			4020
30	0012-20820	BOLT 8X20 T	1			88
31	0302-08200	SW M8	1			21
33	4671-21100	BELT COVER (OUT)/MVH-308	1			25500
34	4673-51800	DUST SPONGE (OUT)/MVH-308	1			1400
35	0015-21053	SOCKET HEAD BOLT 10X65 T	4			180
37	4673-51810	FRONT BUNPER /MVH-308	1			25900
38	0015-21435	SOCKET HEAD BOLT 14X35 T	2			280
39	0302-14350	SW M14	2			48
40	4671-21130	FRONT COVER, GX270/MVH-308	1			44000
41	0012-21435	BOLT 14X35 T	4			300
42	0302-14350	SW M14	4			48
43	0311-14260	PW M14	4			92
45	4671-21140	CENTER COVER, GX270/MVH308	1			20500
46	0015-21435	SOCKET HEAD BOLT 14X35 T	4			280
47	0311-14260	PW M14	4			92
48	0302-14350	SW M14	4			48
49	0203-14110	NUT M14	4			180
51	4674-66800	RUBBER COVER, UPPER/308GH	1			2700
52	4674-66810	STOPPER, COVER/MVH-308GH	1			2650
53	0091-20424	SOCKET HEAD BOLT 6X25T	2			160
54	6174-65130	COLLAR 6. 2X7. 8X4. 5	2			90
55	0302-06150	SW M6	2			21
56	0227-10607	NYLON NUT M6	2			48

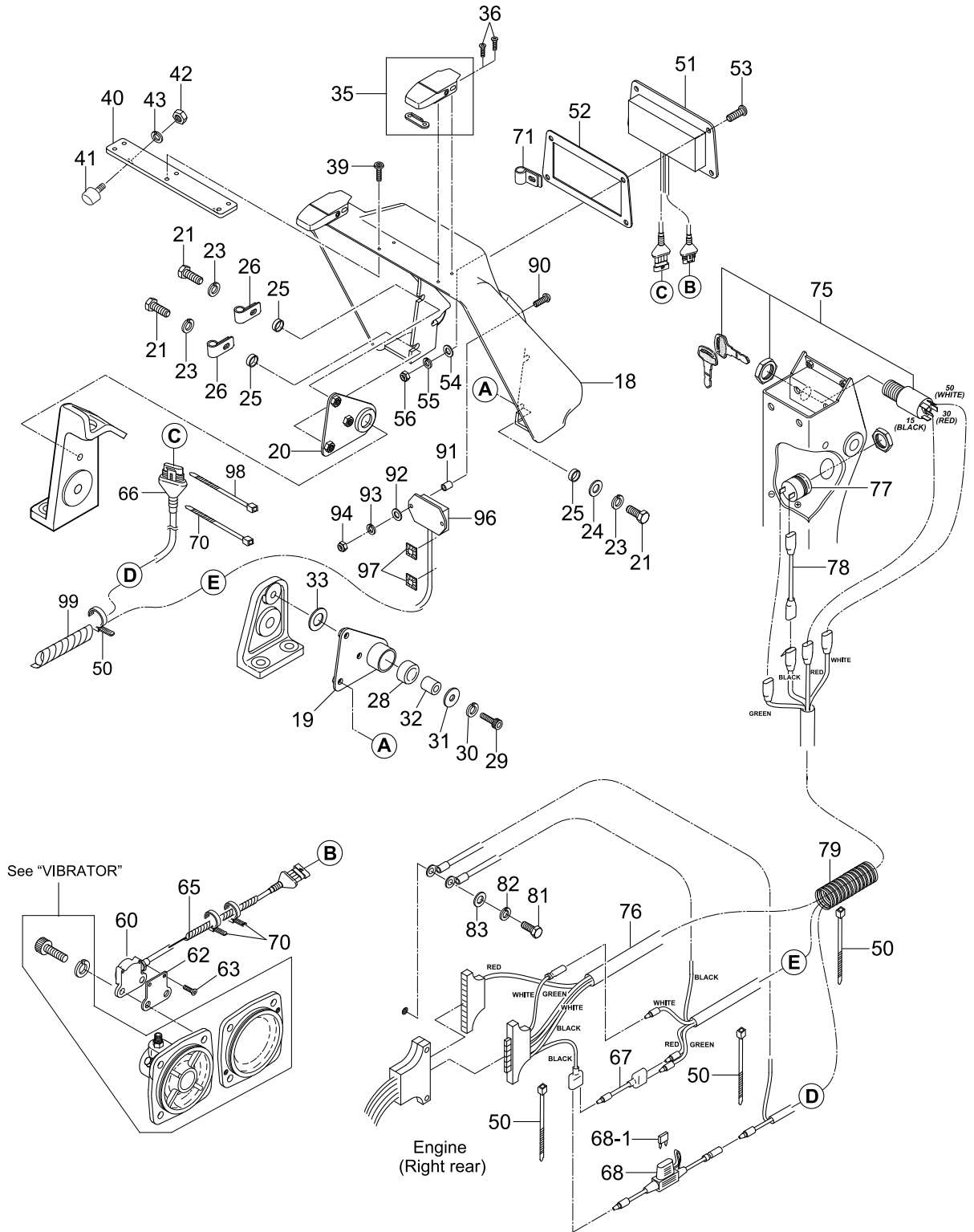
BASE AND ENGINE _HONDA&ROBIN

NO.	PART/NO.	PartsName	Q' TY	MK2	REMARKS	List Price
61	90131-ZE3-790	DRAIN JOINT/MRH-800GH	1			780
62	94109-12000	WASHER, DRAIN PLUG M12	1			75
65	083-00000-10	COIL SPRING	1			230
66	0311-05080	PW M5	1			21
67	206-75501-01	CLAMP COMPL	1			230
69	9594-07260	CLIP D6 (FOR M10)	1			170
70	0012-21015	BOLT 10X15 T	1			110
71	0302-10250	SW M10	1			21

MVH-308

4TDO

ELECTRIC DEVICE : With compaction sensor(HATZ: 1B30)



ELECTRIC DEVICE_HATZ_ PAS

NO.	PART/NO.	PartsName	Q' TY	MK2	REMARKS	List Price
18	4671-21190	REAR COVER/MVH-308	1			14500
19	4673-52020	BRACKET, REAR COVER(L)	1			5350
20	4673-52030	BRACKET, REAR COVER(R)	1			5350
21	0012-20820	BOLT 8X20 T	6			88
23	0302-08200	SW M8	6			21
24	0311-08160	PW M8	4			36
25	9524-08780	COLLAR 8. 2X10X5. 5	6			150
26	9594-08920	CLIP 8 (M8) /MVH-308	2			250
28	4164-59340	RUBBER, VAS HANDLE/MVC-88G	2			150
29	0015-21040	SOCKET HEAD BOLT 10X40 T	2			140
30	0302-10250	SW M10	2			21
31	9524-08740	WASHER10. 5X30X2. 3	2			200
32	9524-08790	COLLAR 10. 5X20X22	2			650
33	4674-67250	RUBBER WASHER 20X35X3	2			130
35	4674-67090	CATCH CLIP /MVH-308	2			3800
36	0091-20421	SOCKET HEAD BOLT 5X15T	4			80
39	0091-10073	SOCKET HEAD SCREW 5X15	2			100
40	4673-52060	BRACKET, STOPPER /MVH-308	1			3300
41	9390-10360	STOPPER RUBBER 30X20H-70	2			1340
42	0203-08060	NUT M8	2			36
43	0302-08200	SW M8	2			21
50	4540-10020	CLAMP TC-100	7			65
51	4673-10010	SENSOR PANEL /MVH-308	1			280000
52	4643-50510	PACKING, SENSOR	1			750
53	0091-10091	OCKET HEAD SCREW 6X25	4			0
54	0311-06100	PW M6	4			21
55	0302-06150	SW M6	4			21
56	0227-10607	NYLON NUT M6	4			48
60	4673-52040	ACCELERATION SENSOR AY	1			62500
62	4644-64350	SENSOR HOLDER COVER/306	1			1750
63	0091-20420	SOCKET HEAD BOLT 5X10T	2			40
65	9590-21812	SPIRAL TUBE 6D-800L	1			170
66	4673-52480	HARNESS, SENSOR /MVH-308	1			4800
67	5154-50380	WIRE HARNESS /MRH-600, 700	1	SX		380
68	4673-52850	FUSE HOLDER, SENSOR/DSCPAS	1			2800
68-1	4670-10010	FUSE (2A-SMALL) /MVH-308	1			380
70	5060-10070	CLAMP TC-150	7			65
71	9594-08930	CLIP 15 (M6) /MVH-308	1			300
75	50384401	SWITCH, KEY A, Y/ID81	1			44300
75-1	50404900	IGNITION SWITCH KEY	1		NEW Z1062-	5340
75-1	50600800	IGNITION SWITCH KEY OLD	1		OLD -Z1061	5310
76	4673-52070	WIRE HARNESS (HATZ) /308DSZ	1			14000
77	50465100	BUZZER 12/24V.	1			32100
78	4654-59680	RELAY CABLE/BUZZER	1			750
79	9590-26022	CORRUGATE TUBE 600L/308	1			900

ELECTRIC DEVICE_HATZ_ PAS

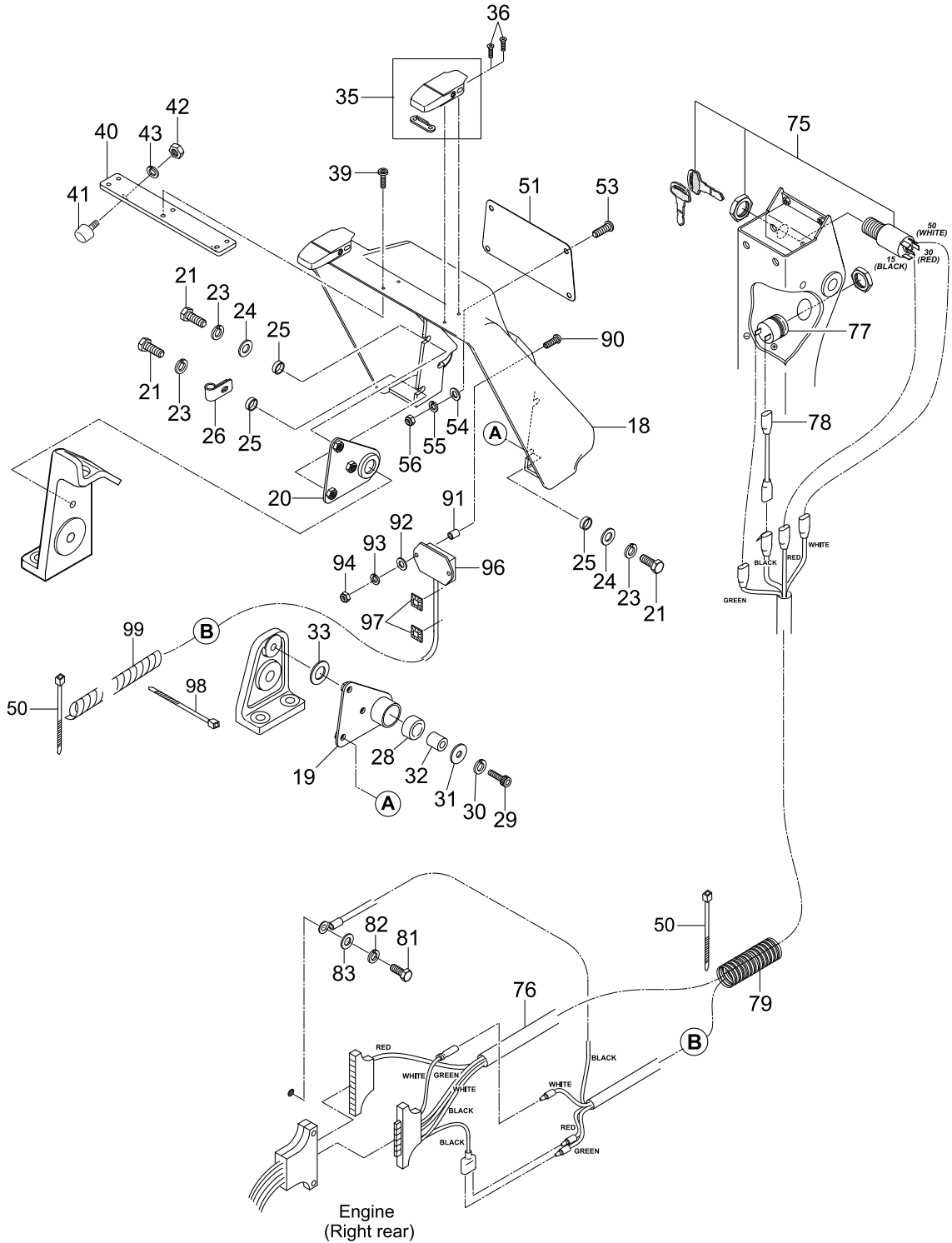
NO.	PART/NO.	PartsName	Q' TY	MK2	REMARKS	List Price
81	0012-20612	BOLT 6X12 T	1			64
82	0302-06150	SW M6	1			21
83	0311-06100	PW M6	1			21
90	0091-10072	PAN HEAD SCREW 5X35	2			120
91	9524-07930	COLLAR 6X10X13.5	2			1250
92	0311-05080	PW M5	2			21
93	0302-05130	SW M5	2			21
94	0227-10506	NYLON NUT M5	2			48
96	9553-01020	TACHO&HOUR METER/L, 1B, 1D	1			15800
97	9554-07970	WIRING FIXED BASE/MVH-206	2			250
98	4540-10020	CLAMP TC-100	2			65
99	9590-21813	SPIRAL TUBE 6D-650L	1			170

ELECTRIC DEVICE_HATZ_ NOT PAS

MVH-308

4ULO

ELECTRIC DEVICE : Without compaction sensor(HATZ: 1B30)



ELECTRIC DEVICE_HATZ_ NOT PAS

NO.	PART/NO.	PartsName	Q' TY	MK2	REMARKS	List Price
18	4671-21190	REAR COVER/MVH-308	1			14500
19	4673-52020	BRACKET, REAR COVER(L)	1			5350
20	4673-52030	BRACKET, REAR COVER(R)	1			5350
21	0012-20820	BOLT 8X20 T	6			88
23	0302-08200	SW M8	6			21
24	0311-08160	PW M8	5			36
25	9524-08780	COLLAR 8. 2X10X5. 5	6			150
26	9594-08920	CLIP 8 (M8) /MVH-308	1			250
28	4164-59340	RUBBER, VAS HANDLE/MVC-88G	2			150
29	0015-21040	SOCKET HEAD BOLT 10X40 T	2			140
30	0302-10250	SW M10	2			21
31	9524-08740	WASHER10. 5X30X2. 3	2			200
32	9524-08790	COLLAR 10. 5X20X22	2			650
33	4674-67250	RUBBER WASHER 20X35X3	2			130
35	4674-67090	CATCH CLIP /MVH-308	2			3800
36	0091-20421	SOCKET HEAD BOLT 5X15T	4			80
39	0091-10073	SOCKET HEAD SCREW 5X15	2			100
40	4673-52060	BRACKET, STOPPER /MVH-308	1			3300
41	9390-10360	STOPPER RUBBER 30X20H-70	2			1340
42	0203-08060	NUT M8	2			36
43	0302-08200	SW M8	2			21
50	4540-10020	CLAMP TC-100	7			65
51	4673-52050	PANEL, REAR COVER/MVH-308	1			2800
53	0091-10091	OCKET HEAD SCREW 6X25	4			0
54	0311-06100	PW M6	4			21
55	0302-06150	SW M6	4			21
56	0227-10607	NYLON NUT M6	4			48
75	50384401	SWITCH, KEY A, Y/ID81	1			44300
75-1	50404900	IGNITION SWITCH KEY	1		NEW Z1062-	5340
75-1	50600800	IGNITION SWITCH KEY OLD	1		OLD -Z1061	5310
76	4673-52070	WIRE HARNESS (HATZ) /308DSZ	1			14000
77	50465100	BUZZER 12/24V.	1			32100
78	4654-59680	RELAY CABLE/BUZZER	1			750
79	9590-26022	CORRUGATE TUBE 600L/308	1			900
81	0012-20612	BOLT 6X12 T	1			64
82	0302-06150	SW M6	1			21
83	0311-06100	PW M6	1			21
90	0091-10072	PAN HEAD SCREW 5X35	2			120
91	9524-07930	COLLAR 6X10X13. 5	2			1250
92	0311-05080	PW M5	2			21
93	0302-05130	SW M5	2			21
94	0227-10506	NYLON NUT M5	2			48
96	9553-01020	TACHO&HOUR METER/L, 1B, 1D	1			15800
97	9554-07970	WIRING FIXED BASE/MVH-206	2			250
98	4540-10020	CLAMP TC-100	2			65

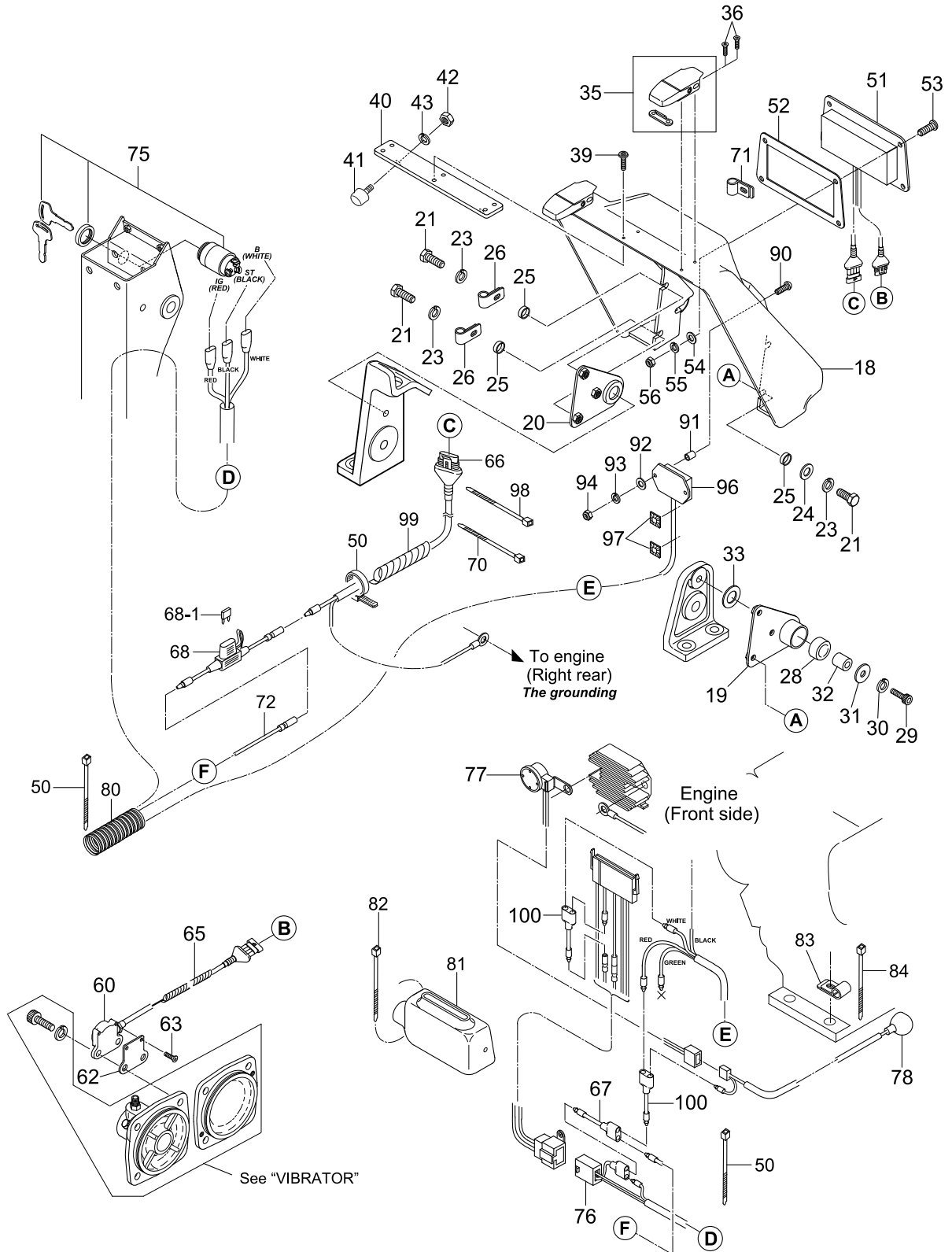
ELECTRIC DEVICE_HATZ_ NOT PAS

NO.	PART/NO.	PartsName	Q' TY	MK2	REMARKS	List Price
99	9590-21813	SPIRAL TUBE 6D-650L	1			170

MVH-308

4TE0

ELECTRIC DEVICE : With compaction sensor(YANMAR: L70N, L70V)



ELECTRIC DEVICE_YANMAR_ PAS

NO.	PART/NO.	PartsName	Q' TY	MK2	REMARKS	List Price
18	4671-21190	REAR COVER/MVH-308	1			14500
19	4673-52020	BRACKET, REAR COVER(L)	1			5350
20	4673-52030	BRACKET, REAR COVER(R)	1			5350
21	0012-20820	BOLT 8X20 T	6			88
23	0302-08200	SW M8	6			21
24	0311-08160	PW M8	4			36
25	9524-08780	COLLAR 8. 2X10X5. 5	6			150
26	9594-08920	CLIP 8 (M8) /MVH-308	2			250
28	4164-59340	RUBBER, VAS HANDLE/MVC-88G	2			150
29	0015-21040	SOCKET HEAD BOLT 10X40 T	2			140
30	0302-10250	SW M10	2			21
31	9524-08740	WASHER10. 5X30X2. 3	2			200
32	9524-08790	COLLAR 10. 5X20X22	2			650
33	4674-67250	RUBBER WASHER 20X35X3	2			130
35	4674-67090	CATCH CLIP /MVH-308	2			3800
36	0091-20421	SOCKET HEAD BOLT 5X15T	4			80
39	0091-10073	SOCKET HEAD SCREW 5X15	2			100
40	4673-52060	BRACKET, STOPPER /MVH-308	1			3300
41	9390-10360	STOPPER RUBBER 30X20H-70	2			1340
42	0203-08060	NUT M8	2			36
43	0302-08200	SW M8	2			21
50	4540-10020	CLAMP TC-100	6			65
51	4673-10010	SENSOR PANEL /MVH-308	1			280000
52	4643-50510	PACKING, SENSOR	1			750
53	0091-10091	OCKET HEAD SCREW 6X25	4			0
54	0311-06100	PW M6	4			21
55	0302-06150	SW M6	4			21
56	0227-10607	NYLON NUT M6	4			48
60	4673-52040	ACCELERATION SENSOR AY	1			62500
62	4644-64350	SENSOR HOLDER COVER/306	1			1750
63	0091-20420	SOCKET HEAD BOLT 5X10T	2			40
65	9590-21812	SPIRAL TUBE 6D-800L	1			170
66	4673-52830	HARNESS, SENSOR, L70 (700L)	1			2200
67	5154-50380	WIRE HARNESS /MRH-600, 700	1	SX		380
68	4673-52850	FUSE HOLDER, SENSOR/DSCPAS	1			2800
68-1	4670-10010	FUSE (2A-SMALL) /MVH-308	1			380
70	5060-10070	CLAMP TC-150	7			65
71	9594-08930	CLIP 15 (M6) /MVH-308	1			300
72	9554-08440	LEAD CORD/500L	1			750
75	9553-00680	STARTER SWITCH AY /MSW-5	1	SX		3210
76	4674-67180	WIRE CP/308DSY L-V	1			3000
77	9553-00400	BUZZER (EBL) /MRH	1			3000
78	105198-78570	HARNESS (C), WIRE	1			380
80	9590-26023	CORRUGATE TUBE 20MM-760L	1			950
81	4673-52940	COVER, ELECTRIC DEVICE/308	1			3300
82	5060-10060	CLAMP TC-350	2			300

ELECTRIC DEVICE_YANMAR_ PAS

NO.	PART/NO.	PartsName	Q' TY	MK2	REMARKS	List Price
83	9594-07260	CLIP D6 (FOR M10)	1			170
84	5070-10110	CLAMP TC-200	1			52
90	0091-10072	PAN HEAD SCREW 5X35	2			120
91	9524-07930	COLLAR 6X10X13.5	2			1250
92	0311-05080	PW M5	2			21
93	0302-05130	SW M5	2			21
94	0227-10506	NYLON NUT M5	2			48
96	9553-01020	TACHO&HOUR METER/L, 1B, 1D	1			15800
97	9554-07970	WIRING FIXED BASE/MVH-206	2			250
98	4540-10020	CLAMP TC-100	2			65
99	9590-21813	SPIRAL TUBE 6D-650L	1			170
100	5154-50380	WIRE HARNESS /MRH-600, 700	2	SX		380