

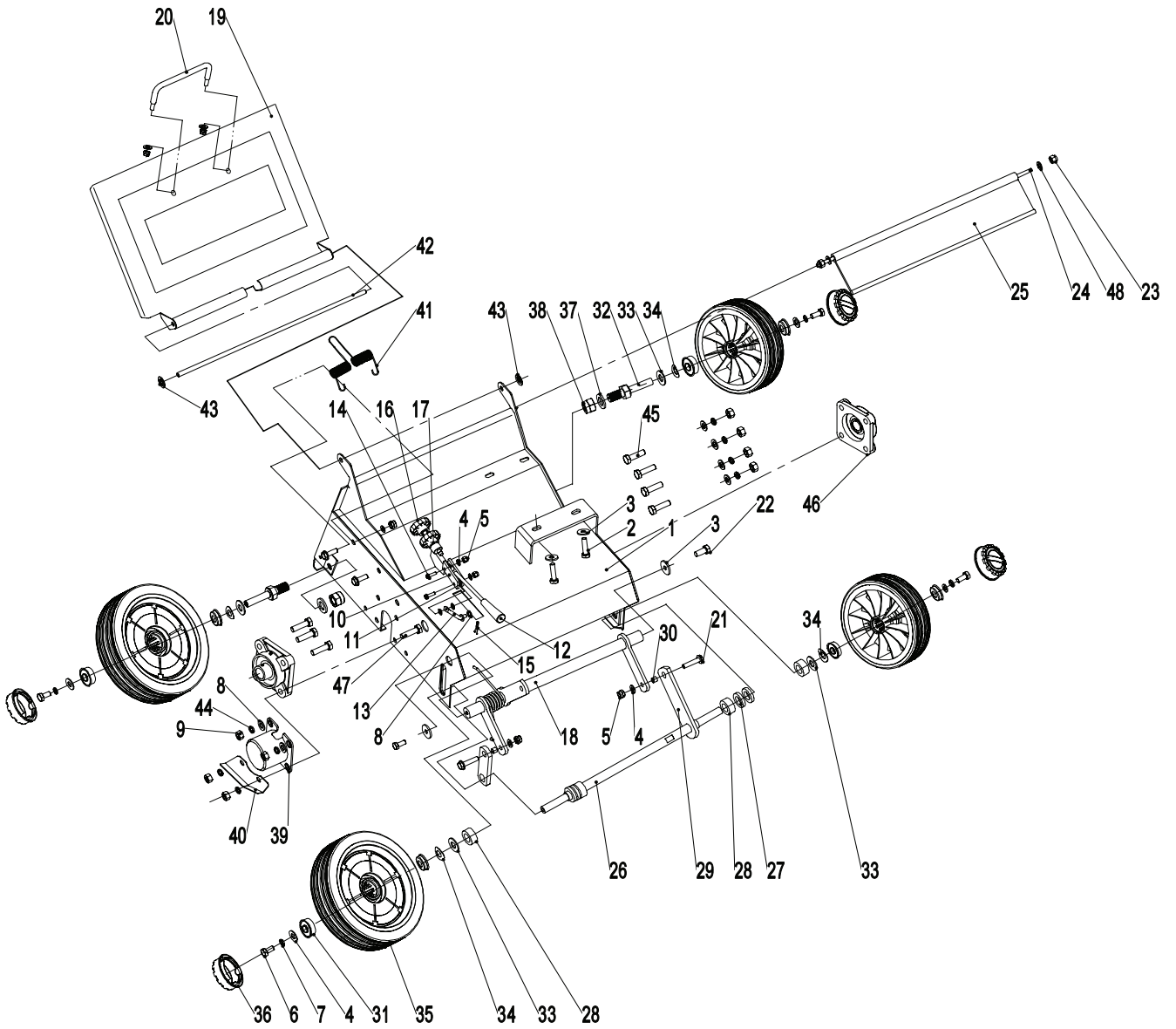
CAIMAN

Аэратор EDGAR 60C



CAIMAN

Main Body



CAIMAN

Main Body

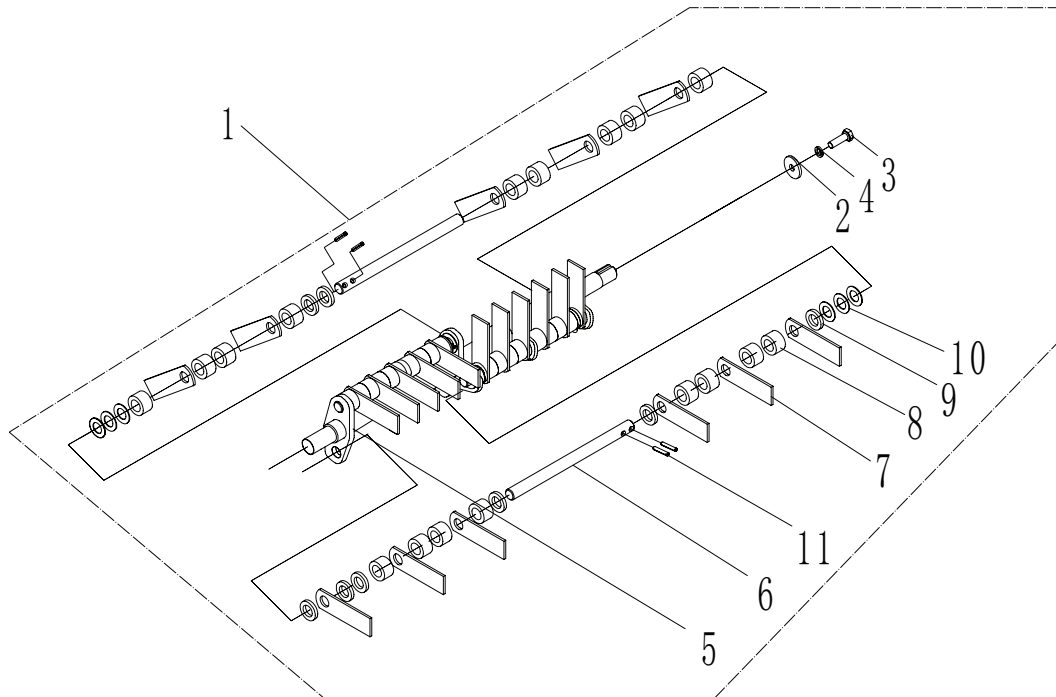
| N° | Description | Part Number | Qty (UOM) |
|----|-------------------------|-------------|-----------|
| 1 | Chassis | U384-00009 | 1 |
| 2 | Hex Bolt | UG700-00026 | 4 |
| 3 | Big Washer | UAE55-00052 | 6 |
| 4 | Flat Washer | U455-00061 | 8 |
| 5 | Lock Nut | U384-00004 | 6 |
| 7 | Spring Washer | U455-00053 | 6 |
| 8 | Flat Washer - M10 | U455-00029 | 9 |
| 9 | Nut - M10 | UG806-00061 | 8 |
| 10 | Adjustment Lever | U384-00023 | 1 |
| 11 | Nylon Spacer | U486-00028 | 4 |
| 12 | Adjustment Lever Sleeve | U486-00001 | 1 |
| 13 | Adjustment Lever Hook | U384-00020 | 1 |
| 14 | Flange Bolt | UR390-00083 | 2 |
| 15 | Check Ring | U455-00032 | 1 |
| 16 | Plastic Grip | U486-00002 | 1 |
| 17 | Plastic Grip | U384-00047 | 1 |
| 18 | Lever Axle | U384-00019 | 1 |
| 19 | Rear Cover | U384-00014 | 1 |
| 20 | Rear Cover Handle | U486-00004 | 1 |
| 21 | Flange Bolt | UR200-00054 | 2 |
| 22 | Hex Bolt | U455-00002 | 2 |
| 23 | Lock Nut | U455-00013 | 6 |
| 24 | Trailing Flap Pivot | U536-00330 | 1 |
| 25 | Trailing Flap | U486-00038 | 1 |
| 26 | Front Axle | U384-00031 | 1 |
| 27 | Spacer | U486-00017 | 4 |
| 28 | Spacer 1 | U486-00018 | 4 |
| 29 | Conncting Rod | U384-00030 | 2 |
| 30 | Conncting Rod Partition | U486-00020 | 2 |
| 31 | Bearing | U455-00056 | 8 |
| 32 | Rear Axle | U384-00029 | 2 |
| 33 | Axle Washer | U455-00058 | 4 |
| 34 | Spacer | U486-00037 | 4 |

CAIMAN

| N° | Description | Part Number | Qty (UOM) |
|-----------|--------------------------|--------------------|------------------|
| 35 | Wheel | U47PI-00005 | 4 |
| 36 | Wheel Cap | U455-00134 | 4 |
| 37 | Flat Washer | UR200-00074 | 2 |
| 38 | Lock Nut | UR200-00076 | 2 |
| 39 | Axle Head Sheath | U486-00030 | 1 |
| 40 | Chassis Protection Plate | U486-00006 | 1 |
| 41 | Rear Cover Spring | U384-00015 | 1 |
| 42 | Rear Cover Axle | U384-00016 | 1 |
| 43 | Fix Cap | U455-00100 | 2 |
| 44 | Spring Washer | UR200-00070 | 8 |
| 45 | Bolt | UT160-00083 | 4 |
| 46 | Bearing With Holder | U486-00039 | 2 |
| 47 | Bolt | UG390-00011 | 4 |
| 48 | Flat Washer - 6 | U455-00054 | 1 |

CAIMAN

Blade system



| N° | Description | Part Number | Qty (UOM) |
|----|----------------------|-------------|-----------|
| 1 | Swing Blade Assembly | U384-00033 | 1 |
| 2 | Big Washer | UAE55-00052 | 1 |
| 3 | Bolt | U455-00052 | 1 |
| 4 | Spring Washer | U455-00053 | 1 |
| 5 | Rotor Weldment | U384-00034 | 1 |
| 6 | Blade Pivot | U384-00032 | 4 |
| 7 | Blade | U486-00003 | 22 |
| 8 | Blade Spacer II | U486-00026 | 34 |
| 9 | Blade Spacer I | U486-00027 | 16 |
| 10 | Nylon Spacer | U486-00028 | 12 |
| 11 | Spring Pin | U384-00005 | 8 |

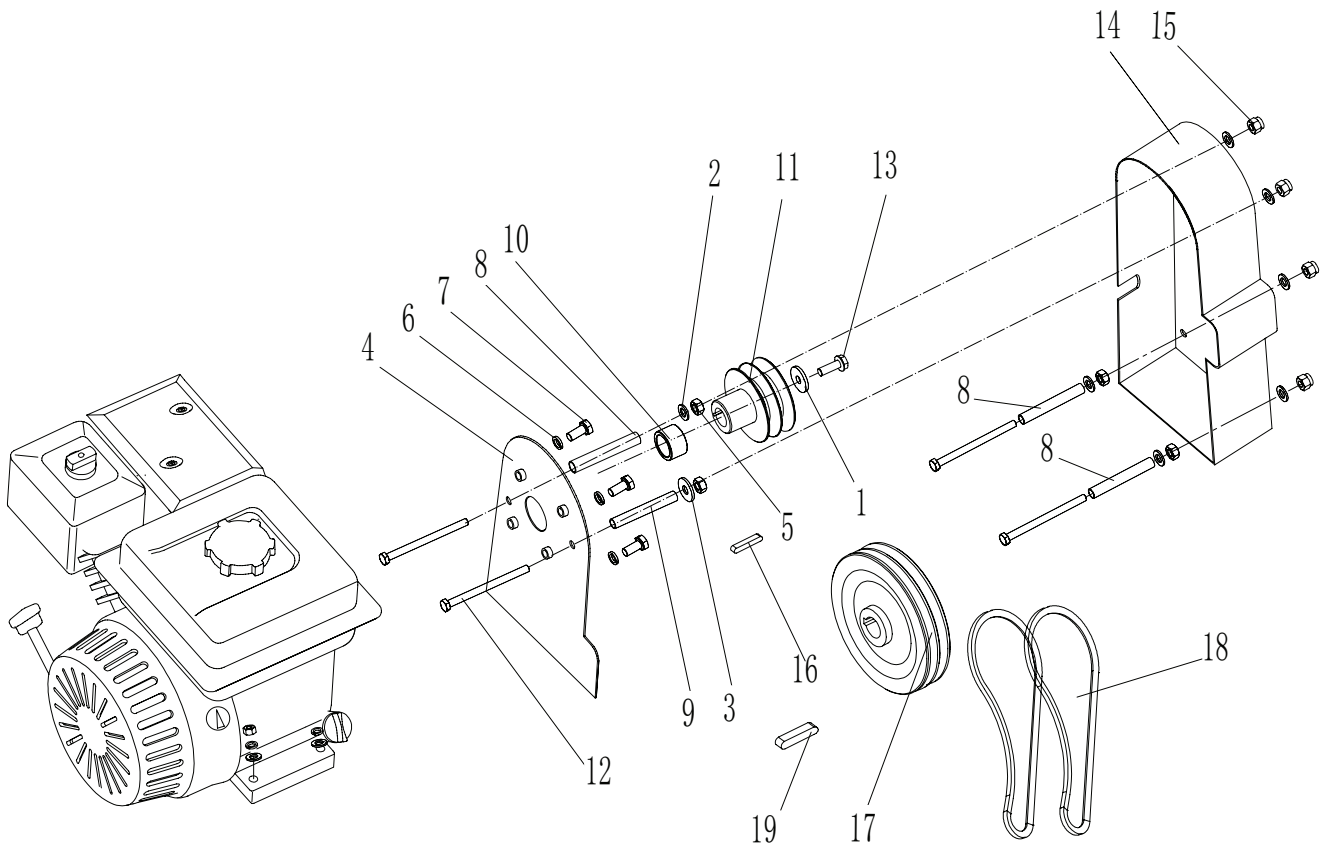
CAIMAN

Handle And Controls

| N° | Description | Part Number | Qty (UOM) |
|----|------------------------------------|-------------|-----------|
| 1 | Upper Handle Limit Plate Partition | U384-00037 | 2 |
| 2 | Upper Handle Limit Plate | U384-00036 | 1 |
| 3 | Screw - M6*40 | UG700-00007 | 2 |
| 4 | Switch | U486-00041 | 1 |
| 5 | Screw | U384-00003 | 1 |
| 6 | Nut | U455-00013 | 1 |
| 7 | Cable Pressing Bracket | UV160-00060 | 1 |
| 8 | Upper Handle | U384-00035 | 1 |
| 9 | Bolt | U384-00002 | 1 |
| 10 | Flat Washer | U455-00054 | 3 |
| 11 | Spring Washer | U455-00053 | 2 |
| 12 | Cluth Cable Bracket | UG700-00016 | 2 |
| 13 | Clutch Lever Weldment | U384-00040 | 1 |
| 14 | Handle Cover | U384-00041 | 1 |
| 15 | Clutch Cable | U486-00033 | 1 |
| 16 | Spring | U486-00034 | 1 |
| 17 | Screw | U453-0043 | 2 |
| 18 | Arc Washer | U453-0042 | 2 |
| 19 | Knob | UV180-00003 | 2 |
| 20 | Flat Washer | U455-00029 | 2 |
| 21 | Lock Nut | U536-00083 | 2 |
| 22 | Lower Handle | U384-00042 | 1 |
| 23 | Flange Bolt | UR200-00061 | 2 |
| 24 | Lower Cable Bracket | U486-00035 | 1 |
| 25 | Cable Ties | U456-00012 | 2 |
| 26 | Upper Handle Limit Spring | U384-00039 | 1 |

CAIMAN

Pulley system



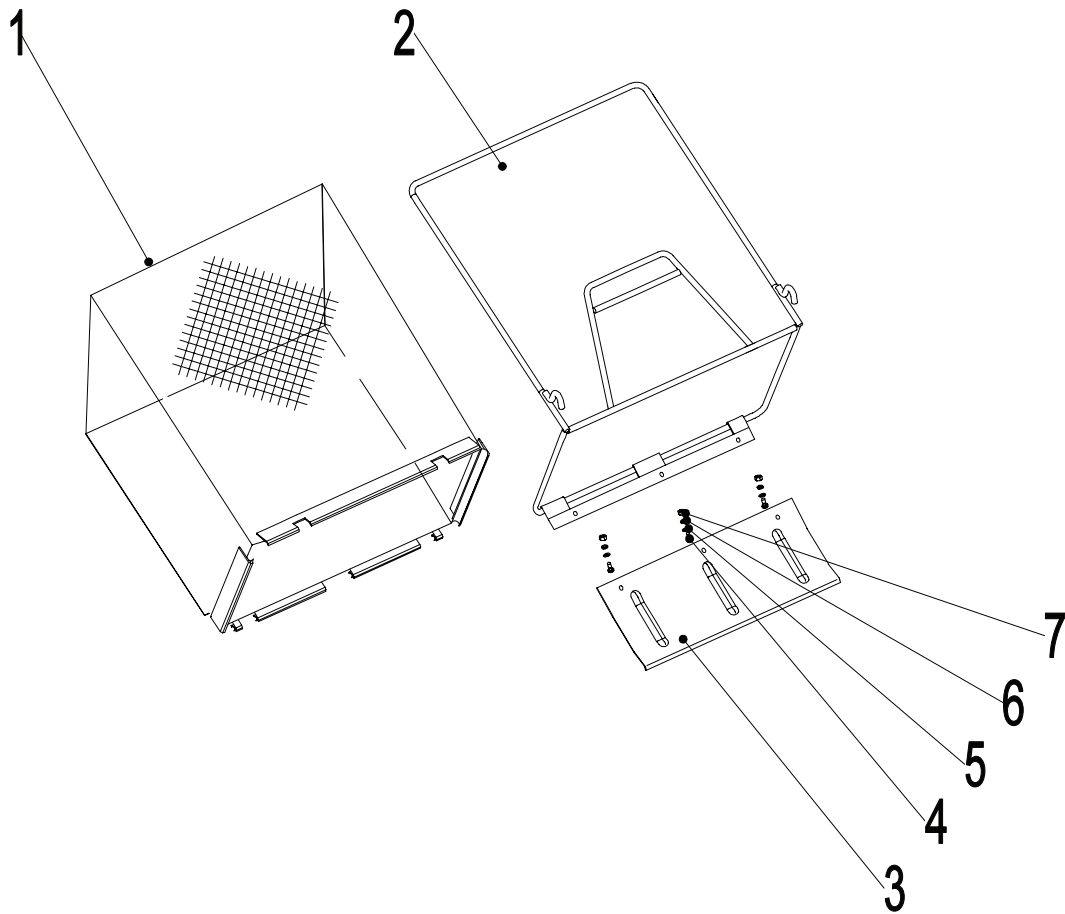
CAIMAN

Pulley system

| N° | Description | Part Number | Qty (UOM) |
|----|------------------------|-------------|-----------|
| 1 | Big washer | US270-00162 | 1 |
| 2 | Flat washer | U455-00061 | 3 |
| 3 | Big washer | U506-00058 | 1 |
| 4 | Engine Plate | U384-00018 | 1 |
| 5 | Nut | U455-00007 | 4 |
| 6 | Spring Washer | U455-00053 | 4 |
| 7 | Bolt | U384-00013 | 4 |
| 8 | Shield Partition | U384-00017 | 3 |
| 9 | Shield Partition | U384-00048 | 1 |
| 10 | Engine Pully Partition | U384-00021 | 1 |
| 11 | Engine Pulley | U384-00024 | 1 |
| 12 | Bolt - M8*95 | UG390-00033 | 4 |
| 13 | Bolt | UR200-00062 | 1 |
| 14 | Belt Shield | U384-00028 | 1 |
| 15 | Lock Nut | U384-00004 | 4 |
| 16 | Key | U384-00008 | 1 |
| 17 | Big Pulley | U384-00025 | 1 |
| 18 | Belt | U384-00022 | 2 |
| 19 | Key | UAE55-00023 | 1 |

CAIMAN

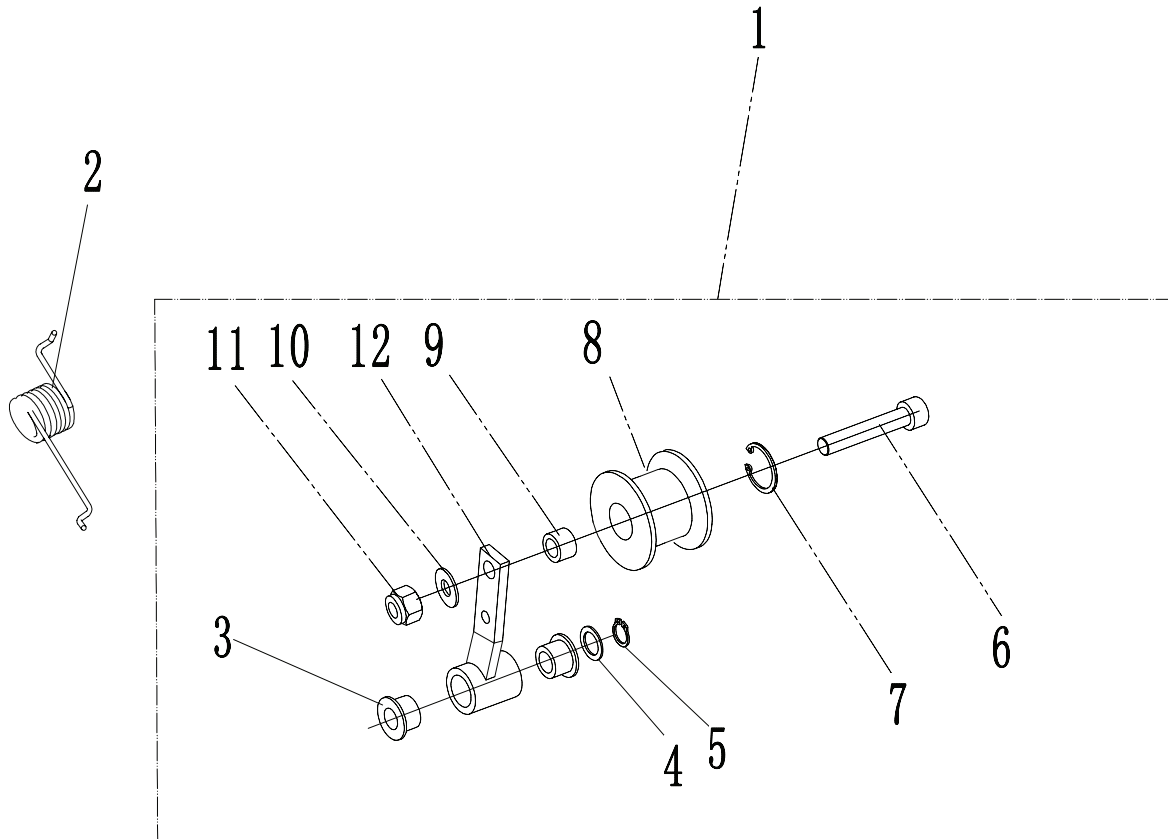
Grass Catcher



| N° | Description | Part Number | Qty (UOM) |
|----|--------------------------|-------------|-----------|
| 1 | Grass Bag | U384-00049 | 1 |
| 2 | Grass Catcher Frame | U384-00044 | 1 |
| 3 | Grass Bag Deflector | U384-00045 | 1 |
| 4 | Square Neck Bolt - M6x14 | U455-00018 | 3 |
| 5 | Flat Washer - 6 | U455-00054 | 3 |
| 6 | Spring Washer - 6 | UG700-00056 | 3 |
| 7 | Nut - M6 | UG700-00132 | 3 |

CAIMAN

Tensional part



| N° | Description | Part Number | Qty (UOM) |
|----|---------------------|-------------|-----------|
| 1 | Tensioner assembly | U486-00040 | 1 |
| 2 | Torsional Spring | U384-00011 | 1 |
| 3 | Nylon Bush | UG700-00157 | 2 |
| 4 | Flat Washer | UR200-00074 | 1 |
| 5 | Check Ring | U455-00077 | 1 |
| 6 | Bolt | UAE55-00021 | 1 |
| 7 | Check Ring For Hole | UAE55-00017 | 1 |
| 8 | Tensioner assembly | U384-00026 | 1 |
| 9 | Outside Partition | U384-00027 | 1 |
| 10 | Flat Washer | U455-00029 | 1 |
| 11 | Lock Nut | U536-00083 | 1 |
| 12 | Tensional Arm | U486-00007 | 1 |