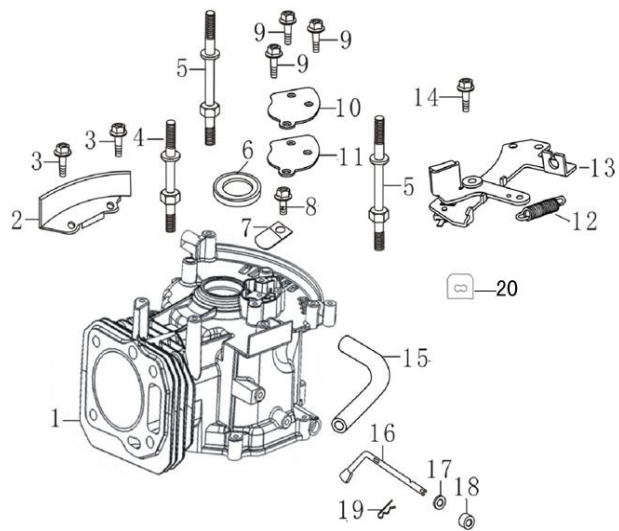


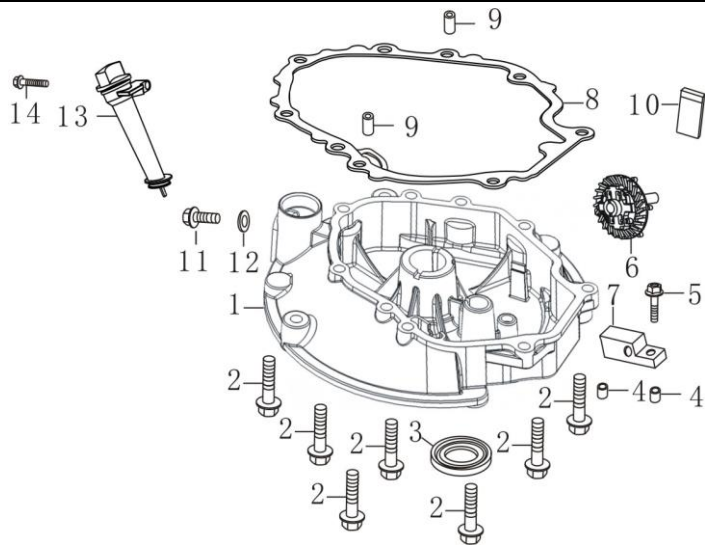
(CYLINDER HEAD)

No.	Part No.	Description	Reqd. QTY
1	U065-FA001	Hexagon bolt with flange	4
2	U065-FA002	Cylinder head cover	1
3	U065-FA003	Gasket for cylinder head cover	1
4	U065-FA004	Spark plug	1
5	U065-FA005	Hexagon bolt with flange	4
6	U065-FA006	Cylinder head	1
7	U065-FA007	Stud	2
8	U065-FA008	Stud	2
9	U065-FA009	Gasket for cylinder head	1
10	U065-FA010	ocation pin	2



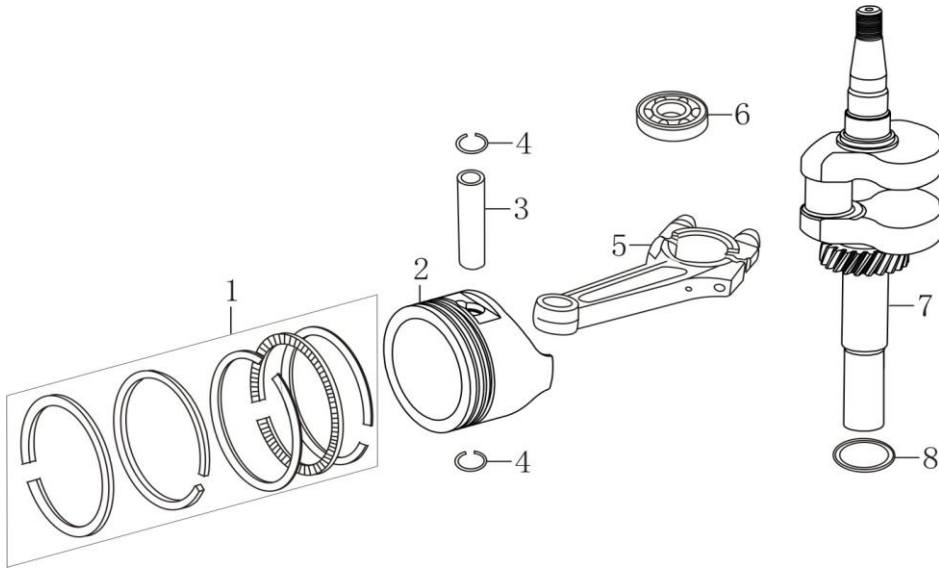
(CRANK CASE)

No.	Part No.		Description	Reqd. QTY
1	U065-FA011		Crankcase body	1
2	U065-FA012		Side plate	1
3	U065-FA013		Hexagon bolt with flange	2
4	U065-FA014		Stay stud	1
5	U065-FA015		Stay stud	2
6	U065-FA016		Oil seal	1
7	U065-FA017		Leaf valve	1
8	U065-FA018		Hexagon bolt with flange	1
9	U065-FA019		Hexagon bolt with flange	3
10	U065-FA020		CAP, BREATHER CHAMBER	1
11	U065-FA021		PACKING, BREATHER CHAMBER	1
12	U065-FA022		Tension spring	1



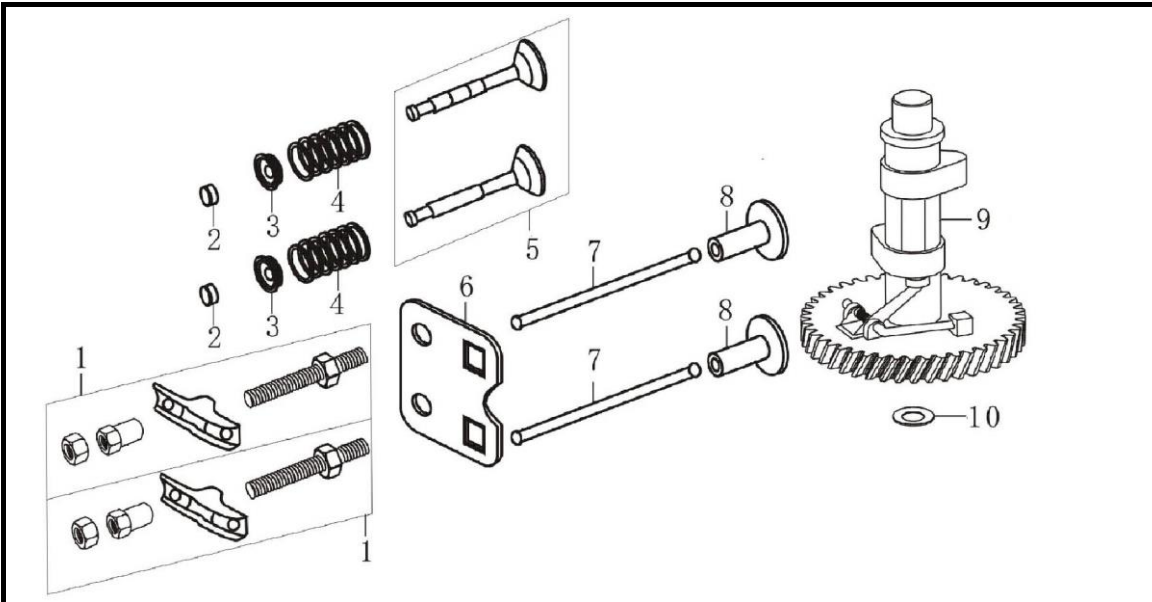
(CRANK CASE COVER)

No.	Part No.	Description	Reqd. QTY
1	U065-FA031	Crankcase cover	1
2	U065-FA032	Hexagon bolt with flange	7
3	U065-FA033	Oil seal	1
4	U065-FA034	ocation pin	2
5	U065-FA035	Hexagon bolt with flange	1
6	U065-FA036	Components of governor gear	1
7	U065-FA037	Governor gear pressing plate	1
8	U065-FA038	Crankcase cover gasket	1
9	U065-FA039	ocation pin	2
10	U065-FA040	Engine oil return block	1
11	U065-FA041	Sealing plug screw	1
12	U065-FA042	Flat washer	1
13	U065-FA043	Oil rule combination	1
14	U065-FA044	Hexagon bolt with flange	1



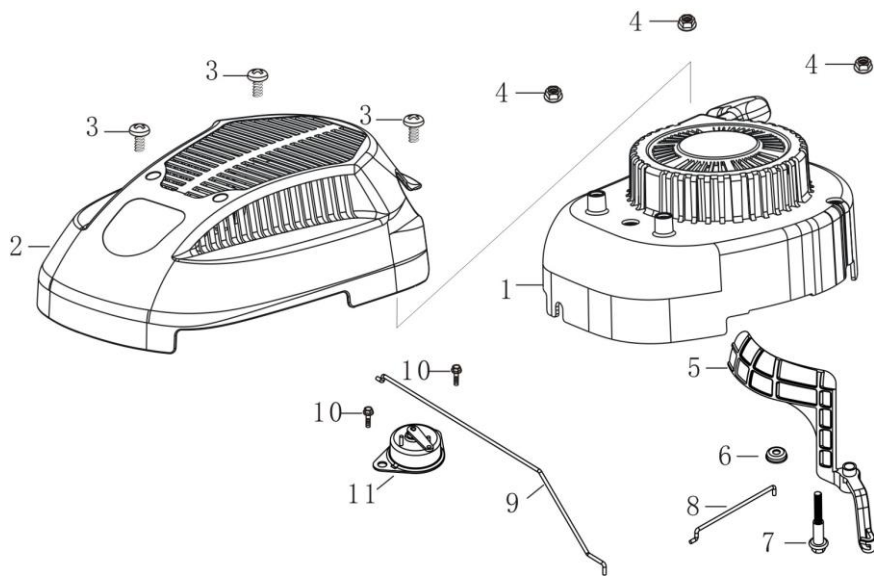
(CRANKSHAFT/PISTON)

No.	Part No.		Description	Reqd. QTY
1	U065-FA045		Piston ring combination	1
2	U065-FA046		Piston	1
3	U065-FA047		Piston pin	1
4	U065-FA048		Steel cable baffle ring	2
5	U065-FA049		Connecting rod	1
6	U065-FA050		Bearing	1
7	U065-FA051		crankshaft	1
8	U065-FA052		Flat washer	1



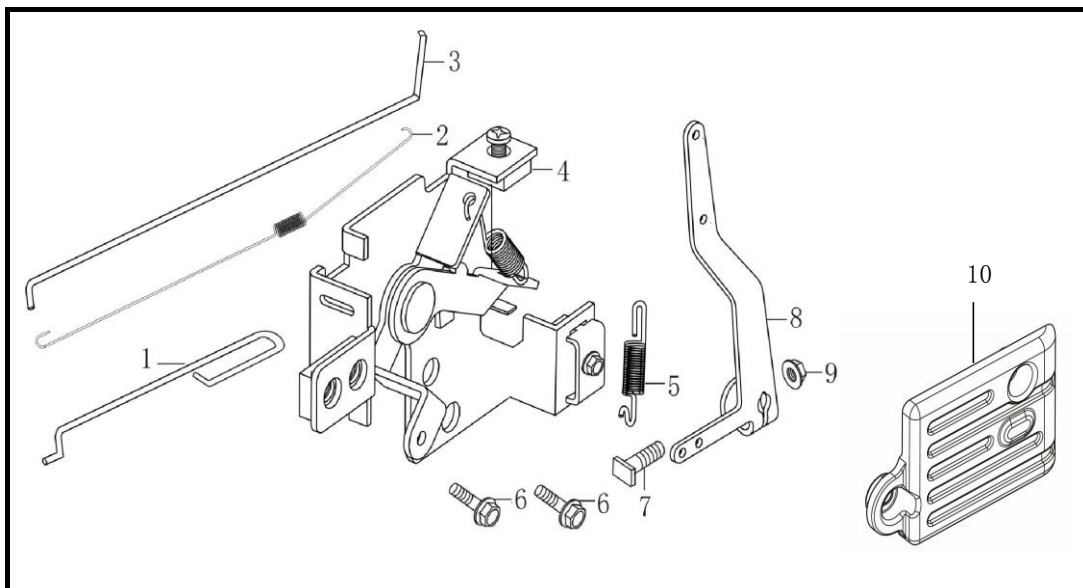
(CAMSHAFT)

No.	Part No.	Description	Reqd. QTY
1	U065-FA053	Valve rocker combination	2
3	U065-FA054	Retainer, valve spring	2
4	U065-FA055	Inner spring of valve	2
5	U065-FA056	Valve Kit	1
6	U065-FA057	Plate, push rod guide	1
7	U065-FA058	Push rod	2
8	U065-FA059	Lifter, Valve	2
9	U065-FA060	Camshaft assy	1
10	U065-FA061	Flat washer	1



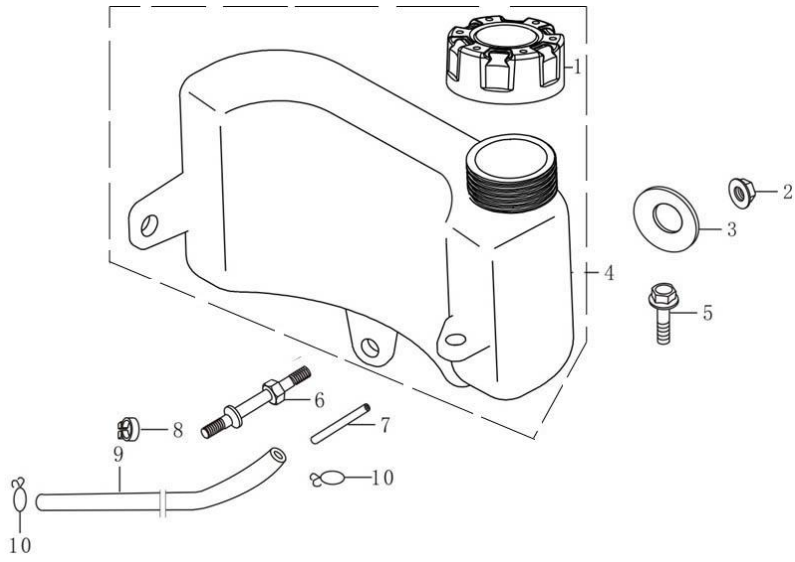
(STARTER)

No.	Part No.	Description	Reqd. QTY
1	U065-FA062	Manual starting assembly	1
2	U065-FA063	Starter decoration cover	1
3	U065-FA064	Cross recessed pan head screw	3
4	U065-FA065	Hexagon nut with flange	3
5	U065-FA066	LAMINA, CONTEOL THROTTLE	1
6	U065-FA067	dust cap	1
7	U065-FA068	Hexagon shaft shoulder bolt	1
8	U065-FA069	Choke valve pull rod	1
9	U065-FA070	Choke valve pull rod	1
10	U065-FA071	Hexagon bolt with flange	2
11	U065-FA072	Control components of choke valve	1
12	U065-FA073	Locker of choke valve pull rod	1



调速控制系统 (CONTROL SYSTEM)

No.	Part No.	Description	Reqd. QTY
2	U065-FA093	throttle return spring	1
3	U065-FA094	Throttle rod	1
4	U065-FA095	Throttle handle combination	1
5	U065-FA096	Governing spring	1
6	U065-FA097	Hexagon bolt with flange	2
7	U065-FA098	Square head set screw with flat point	1
8	U065-FA099	Speed regulating bracket	1
9	U065-FA100	Hexagon nut with flange	1
10	U065-FA101	Guard plate for throttle control	1



(FUEL TANK)

No.	Part No.	Description	Reqd. QTY
1	U065-FA106	Tank cover	1
2	U065-FA100	Hexagon nut with flange	1
3	U065-FA108	Flat washer	1
4	U065-FA109	Tank	1
5	U065-FA013	Hexagon bolt with flange	1
6	U065-FA111	Stay stud	1
7	U065-FA112	Fuel filter	1
8	U065-FA113	Location wire nail	1
9	U065-FA114	Oil tube	1
10	U065-FA115	Pipe clip	2